

DH-SDZW2000T-SL

2MP Anti-corrosion IR Network Camera



- 1/2.8" 2Megapixel STARVIS™ CMOS
- Starlight technology
- H.265 Encoding
- Max. 50/60fps@1080P
- IVS
- IP68, IK10, NEMA 4X
- Material: 316L Stainless Steel



System Overview

This anti-corrosion camera can be used for CCTV applications range from simple monitoring applications. It adopts high performance DSP and advanced image sensor, which can offer a high-performance and safe imaging solution. It offers IP68 rated for water/dust ingress and professional certifications, which enable to meet special requirements of video surveillance applications such as corrosive environment surveillance for chemical industry, ports, coastline and etc.

Functions

Starlight Technology

For challenging low-light applications, Dahua's Starlight Ultra-low Light Technology offers best-in-class light sensitivity, capturing color details in low light down to 0.005 lux. The camera uses a set of optical features to balance light throughout the scene, resulting in clear images in dark environments.

Wide Dynamic Range

The camera achieves vivid images, even in the most intense contrast lighting conditions, using industry-leading wide dynamic range (WDR) technology. For applications with both bright and low lighting conditions that change quickly, True WDR (120 dB) optimizes both the bright and dark areas of a scene at the same time to provide usable video.

High Efficiency Video Coding (H.265)

The H.265 (ITU-T VCEG) video compression standard offers double the data compression ratio at the same level of video quality, or substantially improved video quality at the same bit rate, as compared to older video compression technologies. H.265 offers such impressive compression by expanding the pattern comparison and difference-coding, improving motion vector prediction and motion region merging, and incorporating an additional filtering step called sample-adaptive offset filtering.

Environmental

Dahua cameras operate in extreme temperature environments, rated for use in temperatures from -40 °C to +60 °C (-40 °F to +140 °F) with 95% humidity. The camera complies with the IK10 Vandal Resistance impact rating. Subjected to rigorous dust and water immersion tests and certified to the IP68 Ingress Protection rating makes it suitable for demanding outdoor applications.

Protection

The camera allows for ±10% input voltage tolerance, suitable for the unstable conditions for outdoor applications. Its 6KV lightning rating provides effective protection for both the camera and its structure against lightning.

Interoperability

The camera conforms to the ONVIF (Open Network Video Interface Forum) specifications, ensuring interoperability between network video products regardless of manufacturer.

<https://www.conecticplus.com/>

Technical Specification

Camera

| | |
|--------------------------|--|
| Image Sensor | 1/2.8" STARVIS™ CMOS |
| Effective Pixels | 1920(H) x 1080(V), 2 Megapixels |
| Scanning System | Progressive |
| Electronic Shutter Speed | 1/3s~1/100,000s |
| Minimum Illumination | Color: 0.005Lux@F2.1; B/W: 0.0005Lux@F2.1; 0Lux@F2.1 (IR on) |
| S/N Ratio | More than 50dB |
| IR Distance | 30m (98ft) |
| IR On/Off Control | Auto/Manual |
| IR LEDs | 18 |

Lens

| | |
|---------------|--|
| Focal Length | 3.6mm / 6mm |
| Max. Aperture | F2.1 / F2.0 |
| Angle of View | 3.6mm: H: 87°, V: 48° 6mm: H: 51°, V: 30° |

DORI Distance

*Note: The DORI distance is a "general proximity" of distance which makes it easy to pinpoint the right camera for your needs. The DORI distance is calculated based on sensor specification and lab test result according to EN 62676-4 which defines the criteria for Detect, Observe, Recognize and Identify respectively.

| Lens | Detect | Observe | Recognize | Identify |
|-------|------------|------------|-----------|----------|
| 3.6mm | 55m(180ft) | 22m(72ft) | 11m(36ft) | 6m(20ft) |
| 6mm | 81m(266ft) | 33m(108ft) | 16m(52ft) | 8m(26ft) |

Intelligence

| | |
|---------------|--|
| Event Trigger | Motion detection, Video tampering, Network disconnection, IP address conflict, Illegal Access, |
| Auto Tracking | N/A |
| IVS | Tripwire, Intrusion, Abandoned/Missing |

Video

| | |
|------------------------|---|
| Compression | H.265+/H.265/H.264+/H.264 |
| Streaming Capability | 3 Streams |
| Resolution | 1080P(1920×1080)/1.3M(1280×960)/720P(1280×720)/D1(704×576/704×480)/CIF(352×288/352×240) |
| Frame Rate | Main stream: 1080P/1.3M/720P(1 ~ 50/60fps) |
| | Sub stream1: D1/CIF(1 ~ 25/30fps) |
| | Sub stream2: 1080P/720P/D1(1~25/30fps) |
| Bit Rate Control | CBR/VBR |
| Bit Rate | H.265/H.264: 448K ~ 8192Kbps |
| Day/Night | Auto(ICR) / Color / B/W |
| Backlight Compensation | BLC / HLC / WDR (120dB) |
| Weatherproof | IP68, Outdoor, Manual |

| | |
|--------------------------------------|-------------------|
| Gain Control | Auto / Manual |
| Noise Reduction | Ultra DNR (2D/3D) |
| Motion Detection | Support |
| Region of Interest | Support |
| Electronic Image Stabilization (EIS) | N/A |
| Defog | N/A |
| Digital Zoom | 16x |
| Flip | 180° |
| Privacy Masking | Support |

Audio

| | |
|-------------|-----|
| Compression | N/A |
|-------------|-----|

Network

| | |
|---------------------|--|
| Ethernet | RJ-45 (10Base-T/100Base-TX) |
| Protocol | IPv4/IPv6, HTTP, HTTPS, SSL, TCP/IP, UDP, UPnP, ICMP, IGMP, SNMP, RTSP, RTP, SMTP, NTP, DHCP, DNS,PPPOE,DDNS,FTP, IP Filter,QoS,Bonjour,802.1x |
| Interoperability | ONVIF Profile S&G, API |
| Streaming Method | Unicast / Multicast |
| Max. User Access | 20 users |
| Edge Storage | NAS (Network Attached Storage), Local PC for instant recording |
| Web Viewer | IE, Chrome, Firefox, Safari |
| Management Software | Smart PSS, DSS, DMSS |
| Smart Phone | IOS, Android |

Certifications

| | |
|----------------|--|
| Certifications | CE: EN55032/EN55024/EN50130-4 FCC: Part15 subpartB,ANSI C63.4- 2014 |
|----------------|--|

Interface

| | |
|-----------------|-----|
| Video Interface | N/A |
| Audio Interface | N/A |
| RS485 | N/A |
| Alarm I/O | N/A |

Electrical

| | |
|-------------------|--------------------------|
| Power Supply | DC12V/1.5A, PoE(802.3af) |
| Power Consumption | 5W (IR on) |

Environmental

| | |
|----------------------|--|
| Operating Conditions | -40°C ~ 60°C (-40°F ~ +140°F) / Less than 95% RH |
| Ingress Protection | IP68 |
| Vandal Resistance | IK10 |

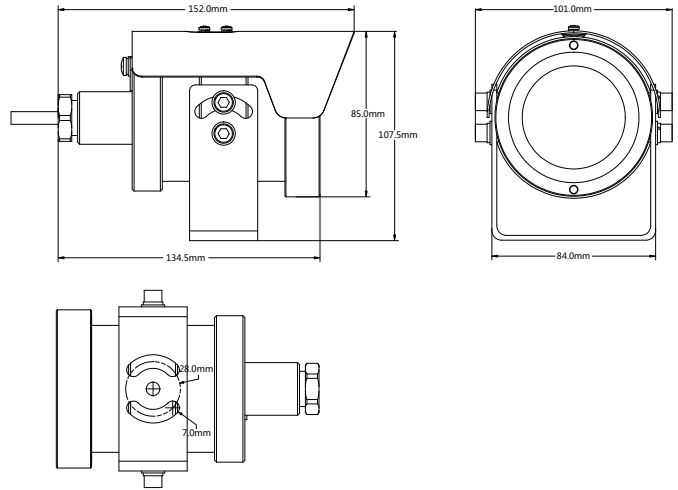
Construction

| | |
|--------------|--------------------------|
| Casing | 316L stainless steel |
| Dimensions | Φ152mm × 101mm × 107.5mm |
| Net Weight | 2kg(4.41lb) |
| Gross Weight | 2.27Kg(5.01lb) |

Ordering Information

| Type | Part Number | Description |
|------------|-----------------------|--|
| 2MP Camera | DH-SDZW2000T-SL-0360 | 2MP Anti-corrosion IR Network Camera, WDR, 3.6mm, PAL |
| | DH-SDZW2000TN-SL-0360 | 2MP Anti-corrosion IR Network Camera, WDR, 3.6mm, NTSC |
| | DH-SDZW2000T-SL-0600 | 2MP Anti-corrosion IR Network Camera, WDR, 6mm, PAL |
| | DH-SDZW2000TN-SL-0600 | 2MP Anti-corrosion IR Network Camera, WDR, 6mm, NTSC |
| Accessory | DC12V/2A | Power Adapter |
| | DH-PFB733W-SL | Wall Mount |
| | DH-HB1000 | Anti-corrosion Flexible Tube |

Dimensions (mm)



Accessories

Optional:



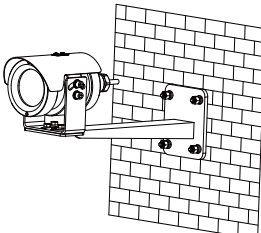
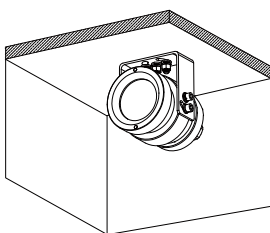
DC12V/2A
Power Adapter



DH-PFB733W-SL
Wall Mount



DH-HB1000
Flexible Tube

| Wall Mount | Pendant Mount |
|---|---|
| PFB733W-SL | |
|  |  |