

iDS-2SK7184MXS-D Smart-Linkage PTZ Camera



The smart-linkage PTZ camera adopts an all-in-one design with two camera channels and high-performance GPU. Integrated with multiple deep learning algorithms for complicated scenes, it provides accurate collection of target feature data, comprehensive data analysis of multiple scenes, and all-around situational perception. The smart-linkage PTZ camera can be widely used for large areas that need high-definition monitoring and smart capture, such as intersections, T-junctions, squares, borderlines, and parks.

- Multi-target-type detection: support automatic person detection and quick capture for face comparison, and link face and human body
- Smart events: The panoramic channel arms the detection area and links the PTZ channel to track targets and output alarms
- Face capture: The PTZ channel locks onto and captures detected face
- Tracking takeover: In smart events, when the target moves out of the panoramic view, the PTZ channel continues to track the target in a larger area
- Support simultaneous capture, linked output, and feature abstraction of face and human body
- Adjustable pan and tilt position for both channels. Panoramic channel: pan 0 to 360° endless, tilt 0 to 30°. PTZ channel: pan 0 to 330°, tilt -10° to 90°
- Auto calibration: Once calibrated, no need for calibration at other PTZ positions
- Built-in memory card slot
- Easy-to-install all-in-one design with one IP address, one network cable, one power supply, and no server



▪ DORI

The DORI (detect, observe, recognize, identify) distance gives the general idea of the camera ability to distinguish persons or objects within its field of view.

It is calculated based on the camera sensor specification and the criteria given by EN 62676-4: 2015.

DORI	Detect	Observe	Recognize	Identify
Definition	25 px/m	63 px/m	125 px/m	250 px/m
Distance (Tele)	662.1 m (2172.2 ft)	262.7 m (861.9 ft)	132.4 m (434.4 ft)	66.2 m (217.2 ft)

▪ Specification

Camera Module	
Image Sensor	[Panoramic channel]: 1/1.8" progressive scan CMOS, [PTZ channel]: 1/1.2" progressive scan CMOS
Min. Illumination	[Panoramic channel]: Color: 0.0005 Lux @(F1.0, AGC ON), B/W: 0.0001 Lux @(F1.0, AGC ON); [PTZ channel] Color: 0.0005 Lux @(F1.6, AGC ON), B/W: 0.0001 Lux @(F1.6, AGC ON), 0 lux with IR
Shutter Speed	1 to 1/30000 s
Slow Shutter	yes
Focus	semi-auto, manual, auto
Day & Night	ICR
Day/Night Switch	day, night, auto, scheduled-switch
BLC	yes
WDR	120 dB WDR
HLC	yes
3D DNR	yes
Defog	yes
EIS	yes
Regional Exposure	yes
Regional Focus	yes
Image Settings	saturation, brightness, contrast, sharpness
Image Parameters Switch	yes
White Balance	auto, ATW, sodium lamp, fluorescent lamp, indoor, outdoor, MWB
Digital Zoom	[panoramic channel] no; [PTZ channel] 16×
Optical Zoom	[panoramic channel] no; [PTZ channel] 5×
Privacy Mask	up to 24 masks, polygon region, mosaic mask, mask color configurable
SNR	≥52dB
General Function	mirror, password protection, watermark, IP address filter
Gain Control	auto, manual
Lens	
Focal Length	[Panoramic channel] 6 mm; [PTZ channel] 10 to 50 mm
Zoom Speed	[PTZ channel] Approx. 1.1 s

FOV	[Panoramic channel] horizontal field of view: 58.4°, vertical field of view: 31°, Diagonal field of view: 68.7°; [PTZ channel] horizontal field of view: 36° to 13.1°, vertical field of view: 20.3° to 7.3°, diagonal field of view: 41° to 14.85°
Aperture	[panoramic channel] F1.0; [PTZ channel] F1.6
PTZ	
Movement Range (Pan)	[panoramic channel] 0 to 360°, [PTZ channel] 0 to 330°
Movement Range (Tilt)	[panoramic channel] 0 to 30°, [PTZ channel] -10° to 90°
Pan Speed	[panoramic channel] pan speed: configurable from 0.1° to 100°/s; [PTZ channel] pan speed: configurable from 0.1° to 210°/s
Tilt Speed	[panoramic channel] tilt speed: configurable from 0.1° to 25°/s; [PTZ channel] tilt speed: configurable from 0.1° to 150°/s
Proportional Zoom	[panoramic channel]: no; [PTZ channel]: yes
Presets	300
Patrol Scan	8 patrols, up to 32 presets for each patrol
Pattern Scan	4 pattern scans
Power-off Memory	yes
Park Action	preset, pattern scan, patrol scan, auto scan
3D Positioning	yes
PTZ Status Display	yes
Preset Freezing	yes
Scheduled Task	preset, pattern scan, patrol scan, auto scan, dome reboot, dome adjust, aux output
Exception Detection	IP address conflict, HDD full, illegal login, HDD error, network disconnected
Video	
Max. Resolution	[panoramic channel] 2560 × 1440, [PTZ channel] 3840 × 2160
Stream Type	main stream, sub-stream, third stream
Main Stream	[panoramic channel] 50 Hz: 25 fps (2560 × 1440, 1920 × 1080, 1280 × 960, 1280 × 720) 60 Hz: 30 fps (2560 × 1440, 1920 × 1080, 1280 × 960, 1280 × 720) [PTZ channel] 50 Hz: 25 fps (3840 × 2160, 2560 × 1440, 1920 × 1080, 1280 × 960, 1280 × 720) 60 Hz: 30 fps (3840 × 2160, 2560 × 1440, 1920 × 1080, 1280 × 960, 1280 × 720)
Sub-Stream	[panoramic channel] 50 Hz: 25 fps (704 × 576, 640 × 480, 352 × 288) 60 Hz: 30 fps (704 × 480, 640 × 480, 352 × 240) [PTZ channel] 50 Hz: 25 fps (704 × 576, 640 × 480, 352 × 288) 60 Hz: 30 fps (704 × 480, 640 × 480, 352 × 240)

Third Stream	[panoramic channel] 50 Hz: 25 fps (1920 × 1080, 1280 × 960, 1280 × 720, 704 × 576, 640 × 480, 352 × 288) 60 Hz: 30 fps (1920 × 1080, 1280 × 960, 1280 × 720, 704 × 480, 640 × 480, 352 × 240) [PTZ channel] 50 Hz: 25 fps (1920 × 1080, 1280 × 960, 1280 × 720, 704 × 576, 640 × 480, 352 × 288) 60 Hz: 30 fps (1920 × 1080, 1280 × 960, 1280 × 720, 704 × 480, 640 × 480, 352 × 240)
Video Compression	H.265, H.264, MJPEG
Video Bit Rate	32 to 16384 kbps
H.264 Type	baseline profile, main profile, high profile
H.265 Type	main profile
H.264+	yes
H.265+	yes
SVC	yes
ROI	dynamic face tracking, fixed region
Audio	
Audio Compression	G.711alaw/G.711ulaw/G.722.1/G.726/MP2L2/PCM
Audio Bit rate	MP2L2: 32 kbps, 40 kbps, 48 kbps, 56 kbps, 64 kbps, 80 kbps, 96 kbps, 112 kbps, 128 kbps, 144 kbps, 160 kbps, 192 kbps
Audio Sampling Rate	MP2L2: 16 kHz, 32 kHz, 48 kHz, PCM: 8 kHz, 16 kHz, 32 kHz, 48 kHz
Environment Noise Filtering	yes
Smart Features	
Feature Abstraction	face feature abstraction, human body feature abstraction, vehicle feature abstraction
Multi-target-type Detection	Support face, human body, and vehicle capture, track and grade the target, and output the best capture picture; support face and human body feature analysis, modeling and comparison
Face Comparison	yes
Basic Event	audio exception, motion detection, alarm input, alarm output, video tampering alarm, exception
Smart Event	intrusion detection, line crossing detection, region entrance detection, region exiting detection
Smart Tracking	panorama tracking, event tracking
Smart Record	ANR, Dual-VCA
Alarm Linkage	preset, patrol scan, pattern scan, memory card video recording, alarm output, sending email, notify surveillance center, upload to FTP
Smart Encoding	H.265+, H.264+, ROI, SVC
Network	
Network Storage	NAS (NFS, SMB/ CIFS),ANR
Protocols	IPv4/IPv6,HTTP,HTTPS,802.1x,Qos,FTP,SMTP,UPnP,SNMP,DNS,DDNS,NTP,RTSP,RTCP,RTP,TCP/IP,UDP,IGMP,ICMP,DHCP,PPPoE,Bonjour
API	Open-ended API, ISAPI, Hikvision SDK, Third-party management platform, Hik-Connect, ISUP, Open Network Video Interface
Simultaneous Live View	Up to 20 channels
User/Host	Up to 32 users. 3 levels: Administrator, Operator and User
Security Measures	Authenticated username and password, MAC address binding, HTTPS encryption, 802.1X authenticated access, IP address filter

Client	iVMS-4200, Hik-Connect, HikCentral
Web Browser	IE10+, Chrome57+, Firefox52+, Safari12+
Interface	
Communication Interface	RJ45, self-adaptive, 1000 M Ethernet Interface
On-board Storage	support microSD/microSDHC/microSDXC cards, up to 256 GB
Alarm Input	2 alarm inputs
Alarm Output	1 alarm output
Audio Input	1 audio input, 2.0 to 2.4Vp-p, 1k Ohm±10%
Audio Output	1 audio output, line level, impedance: 600 Ω
RS-485	Half duplex, HIKVISION, Pelco-P, Pelco-D, self-adaptive
Supplement Light	
White Light Distance	[panoramic channel] up to 50 m [PTZ channel] up to 20 m
IR Distance	[PTZ channel] up to 200 m
Smart IR	yes
General	
Power	36 VDC ± 25%
Power Consumption and Current	Max. 70 W
Operating Conditions	-40°C to 70°C, humidity lower than 95%RH
Reset	yes
Wiper	[panoramic channel]: no; [PTZ channel]: yes
Demist	yes
Material	ADC12, PC+10%GF
Dimensions	∅ 320 mm × 393 mm (∅ 12.6" × 15.47")
Weight	Approx. 10.6 kg (23.37 lb.)
Web Client Language	33 languages: English, Russian, Estonian, Bulgarian, Hungarian, Greek, German, Italian, Czech, Slovak, French, Polish, Dutch, Portuguese, Spanish, Romanian, Danish, Swedish, Norwegian, Finnish, Croatian, Slovenian, Serbian, Turkish, Korean, Traditional Chinese, Thai, Vietnamese, Japanese, Latvian, Lithuanian, Portuguese (Brazil), Ukrainian
Approval	
Protection	IP66

▪ Available Model

iDS-2SK7184MXS-D(C5F2) (T2)

▪ Typical Application

Hikvision products are classified into three levels according to their anti-corrosion performance. Refer to the following description to choose for your using environment.

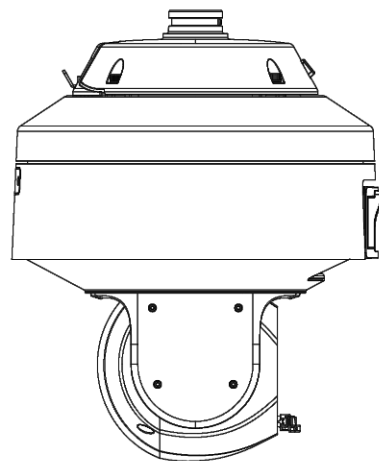
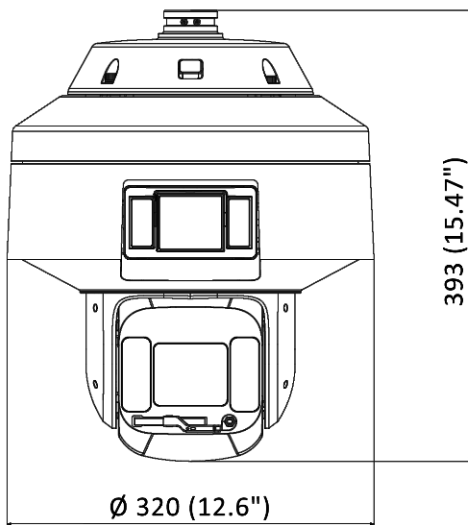
This model has NO SPECIFIC PROTECTION.

Level	Description
Top-level protection	Hikvision products at this level are equipped for use in areas where professional anti-corrosion protection is a must. Typical application scenarios include coastlines, docks, chemical plants, and more.

<https://www.conecticplus.com/>

Moderate protection	Hikvision products at this level are equipped for use in areas with moderate anti-corrosion demands. Typical application scenarios include coastal areas about 2 kilometers (1.24 miles) away from coastlines, as well as areas affected by acid rain.
No specific protection	Hikvision products at this level are equipped for use in areas where no specific anti-corrosion protection is needed.

▪ **Dimension**



Unit: mm (inch)

▪ **Accessory**

▪ **Included**

DS-1668ZJ-P



▪ Optional

DS-1603ZJ-P	DS-1668ZJ(20)-P	CUV-090S036SP- KW01,AC36V/2.5 A,90W
		

Distributed by

**HIKVISION®****Headquarters**

No.555 Qianmo Road, Binjiang District,
Hangzhou 310051, China
T +86-571-8807-5998
overseasbusiness@hikvision.com

Hikvision USA
T +1-909-895-0400
sales.usa@hikvision.com

Hikvision Australia
T +61-2-8599-4233
salesau@hikvision.com

Hikvision India
T +91-22-28469900
sales@pramahikvision.com

Hikvision Canada
T +1-866-200-6690
sales.canada@hikvision.com

Hikvision Thailand
T +66-2-775-9949
sales.thailand@hikvision.com

Hikvision Europe
T +31-23-5542770
sales.eu@hikvision.com

Hikvision Italy
T +39-0438-6902
info.it@hikvision.com

Hikvision Brazil
T +55 11 3318-0050
Latam.support@hikvision.com

Hikvision Turkey
T +90 (216)521 7070- 7074
sales.tr@hikvision.com

Hikvision Malaysia
T +601-7652-2413
sales.my@hikvision.com

Hikvision UK & Ireland
T +01628-902140
sales.uk@hikvision.com

Hikvision South Africa
Tel: +27 (10) 0351172
sale.africa@hikvision.com

Hikvision France
T +33(0)1-85-330-450
info.fr@hikvision.com

Hikvision Kazakhstan
T +7-727-9730667
nikia.panfilov@hikvision.ru

Hikvision Vietnam
T +84-974270888
sales.vt@hikvision.com

Hikvision UAE
T +971-4-4432090
salesme@hikvision.com

Hikvision Singapore
T +65-6684-4718
sg@hikvision.com

Hikvision Spain
T +34-91-737-16-55
info.es@hikvision.com

Hikvision Tashkent
T +99-87-1238-9438
uzb@hikvision.ru

Hikvision Hong Kong
T +852-2151-1761
info.hk@hikvision.com

Hikvision Russia
T +7-495-669-67-99
saleru@hikvision.com

Hikvision Korea
T +82-(0)31-731-8817
sales.korea@hikvision.com

Hikvision Poland
T +48-22-460-01-50
info.pl@hikvision.com

Hikvision Indonesia
T +62-21-2933759
Sales.Indonesia@hikvision.com

Hikvision Colombia
sales.colombia@hikvision.com