



Model Number:
CBCS5913A



www.ciarraappliances.com











Dear customer:

Thank you so much for your purchase, please read this instruction manual carefully before installation & use.

If you have any question, please contact us at:

E-mail: info@ciarraappliances.com

EN

 ENGLISH	INSTALLATION AND USER'S MANUAL	Page 3-18
 DEUTSCH	BENUTZERHANDBUCH&INSTALLATION SANLEITUNG	Seite 20-37
 FRANÇAIS	MANUEL DE L'UTILISATEUR ET D'INSTALLATION	Page 39-56
 ITALIANO	INSTALLAZIONE E MANUALE DELL'UTENTE	Pagina 57
 ESPAÑOL	MANUAL DE USUARIO E INSTRUCCIONES DE INSTALACIÓN	Página 58
 NEDERLANDS	INSTALLATIE- EN GEBRUIKERSHANDLEIDING	Pagina 59
 SVENSKA	INSTALLATION- OCH BRUKSANVISNING	Sida 60
 POLSKI	INSTRUKCJA INSTALACJI I UŻYTKOWANIA	Strona 61

CONTENTS

Safety	3-4
Specifications	5
Before Using the Cooker Hood	6
Prepare for Installation	7
Installation	8-12
Install the Hood	8-11
Carbon Filter Installation	12
Operation	13
Cleaning and Maintenance	14-16
Grease Filter	14
Carbon Filter	14
Stainless Steel Cleaning	14
Painted Finish Cleaning	14
LED Replacement	15-16
Troubleshooting	17
Environmental Protection	18

WARNING

TO REDUCE THE RISK OF FIRE, ELECTRIC SHOCK, OR INJURY TO PERSONS, OBSERVE THE FOLLOWING:



- Use this unit only in the manner intended by the manufacturer. If you have questions, contact the manufacturer at the address or telephone number listed in the warranty.



- Before servicing or cleaning unit, unplug or disconnect the cooker hood from the power supply.
- This appliance is not intended for use by persons (including children) with reduced physical, sensory or mental capabilities, or lack of experience and knowledge, unless they have been given supervision or instruction concerning use of the appliance by a person responsible for their safety.
- Installation work and electrical wiring must be done by a qualified person(s) in accordance with all applicable codes and standards, including fire-rated construction.
- Sufficient air is needed for proper combustion and exhausting of gases through the flue (chimney) of fuel burning equipment to prevent back drafting.
- When cutting or drilling into a wall or ceiling, do not damage electrical wiring and other hidden utilities.
- Ducted fans must always be vented to the outdoors.
- Ensure the requirements of the local authorities are adhered to concerning the discharge of exhaust air.
- This unit must be grounded.
- When applicable local regulations comprise more restrictive installation and/or certification requirements, the aforementioned requirements prevail on those of this document and the installer agrees to conform to these at his own expense.
- Clean cooker hood frequently. Grease should not be allowed to accumulate on fans, filters or in exhaust ducts.



Warning: Failure to install the screws or fixing device in accordance with these instructions may result in electrical hazards.

Safety

WARNING

TO REDUCE THE RISK OF INJURY TO PERSONS IN THE EVENT OF A RANGE TOP GREASE FIRE, OBSERVE THE FOLLOWING*:

1. SMOTHER FLAMES with a close-fitting lid, cookie sheet or metal tray, then turn off the burner. BE CAREFUL TO PREVENT BURNS. IF THE FLAMES DO NOT GO OUT IMMEDIATELY, EVACUATE AND CALL THE FIRE DEPARTMENT.
2. NEVER PICK UP A FLAMING PAN – You may be burned.
3. DO NOT USE WATER, including wet dishcloths or towels – This could cause a violent steam explosion.
4. Use an extinguisher ONLY if:
 - a) You own a Class ABC extinguisher and you know how to operate it.
 - b) The fire is small and contained in the area where it started.
 - c) The fire department has been called.
 - d) You can fight the fire with your back to an exit.

CAUTION

- For indoor use only.
- For general ventilating use only. Do not use to exhaust hazardous or explosive materials and vapors.
- To avoid motor bearing damage and noisy and/or unbalanced fan blade, keep drywall spray, construction dust, etc. off cooker hood.
- Your hood motor has a thermal overload which will automatically shut off the motor if it becomes overheated. The motor will restart when it cools down. If the motor continues to shut off and restart, have the hood serviced.
- Always follows the cooking equipment manufacturer's requirements regarding the ventilation needs.
- To reduce the risk of fire and to properly exhaust air, be sure to duct air outside – Do not exhaust air into spaces within walls or ceiling or into attics, crawl space or garage.
- When installing, servicing or cleaning the unit, it is recommended to wear safety glasses and gloves.
- Please read specification label on product for further information and requirements.

Specifications



Voltage	220V-240V~ 50Hz
Power of Motor	1 x 70W
Power of lamps	2 x 1 W
Appliance Dimension	520*280*130mm (W x D x H)
Note: The manufacturer reserves the right to change any technological improvement or modification without prior notice.	

EN

Before Using the Cooker Hood



CAUTION: Before proceeding to the installation, check if items are missing or damaged, contact the manufacturer.

Observe all governing codes and ordinances. Have a qualified technician install the cooker hood. It is the installer's responsibility to comply with installation clearances specified on the model/serial rating plate. The manufacturer declines all responsibility for improper installation and does not accept responsibility for appliance warranty in the event of damage caused by incorrect installation.

COMPONENTS:



Part 1: 4*20mm Screws X 4



Part 2: Installation Manual X 1



Part 3: Cooker Hood Body X 1



Part 4: Outlet X 1



Part 5: Windbreak Blade X 1

YOU WILL BE NEEDING THESE TOOLS FOR INSTALLATION



1. Protective Gloves



4. Double Sided Tape or Tape



2. Spirit Level Ruler



5. Cross-Head Screwdriver Set



3. Measuring Tape



6. Electric drill and 8mm drill

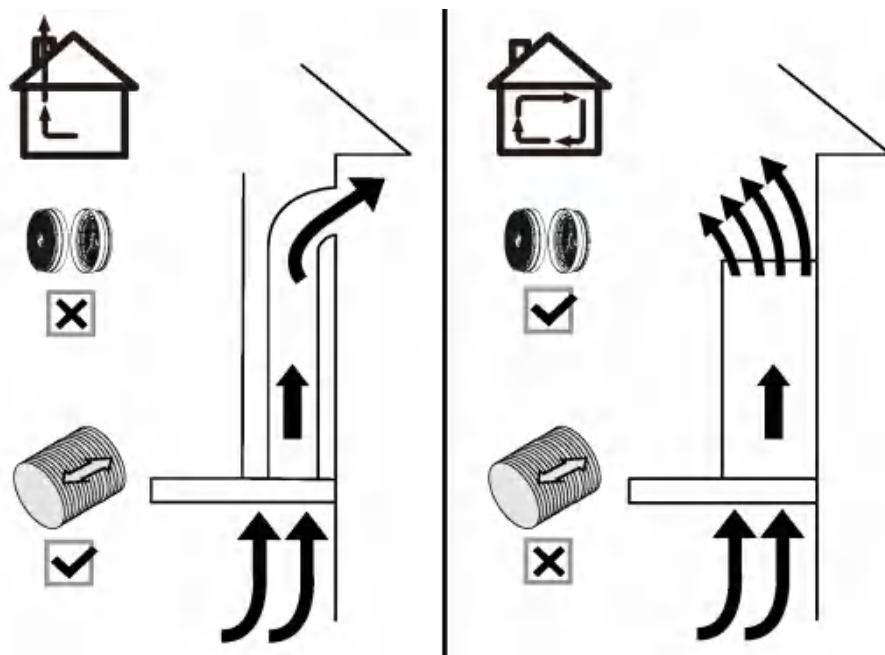
Prepare for Installation

Prepare for Installation:

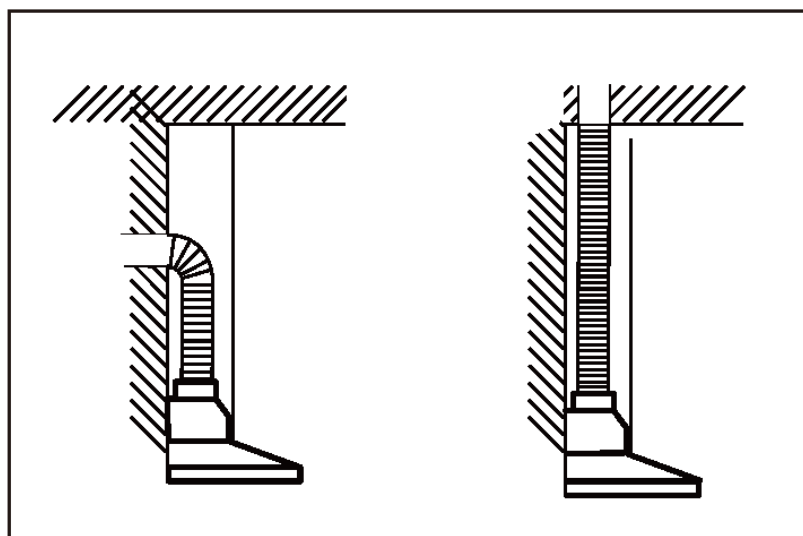
a) Ventilation Mode

Recirculation Mode: Recirculating with carbon filter (required), the smells and odors can be filtered and vented through the top vented hole and the exhaust pipe is not required.

Extraction Mode: You can install the 1.5m long and 120mm diameter aluminum exhaust pipe for extracting.



- b) When possible, use at least 60cm straight runs before any turns. Larger duct work may be required for best performance with longer duct runs.



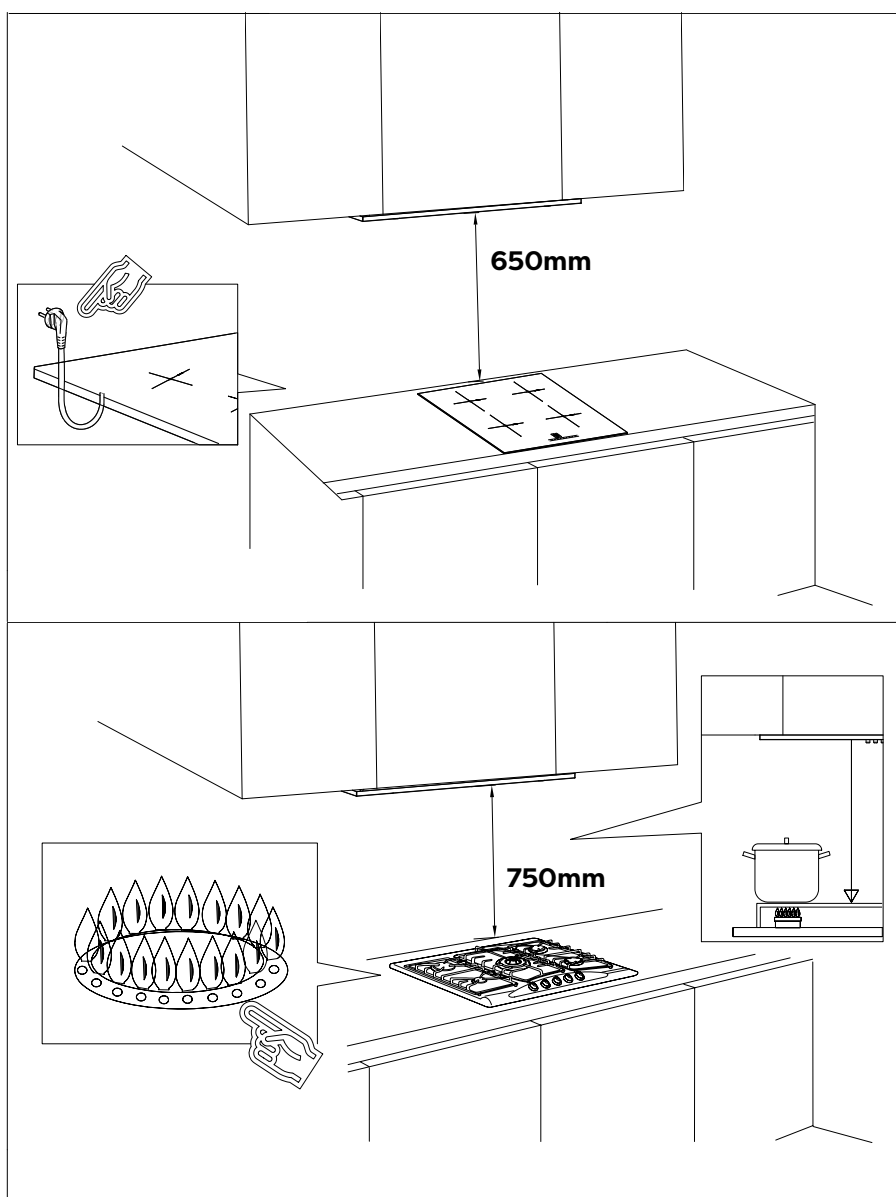
- c) Before installation, don't connect the power.

Installation



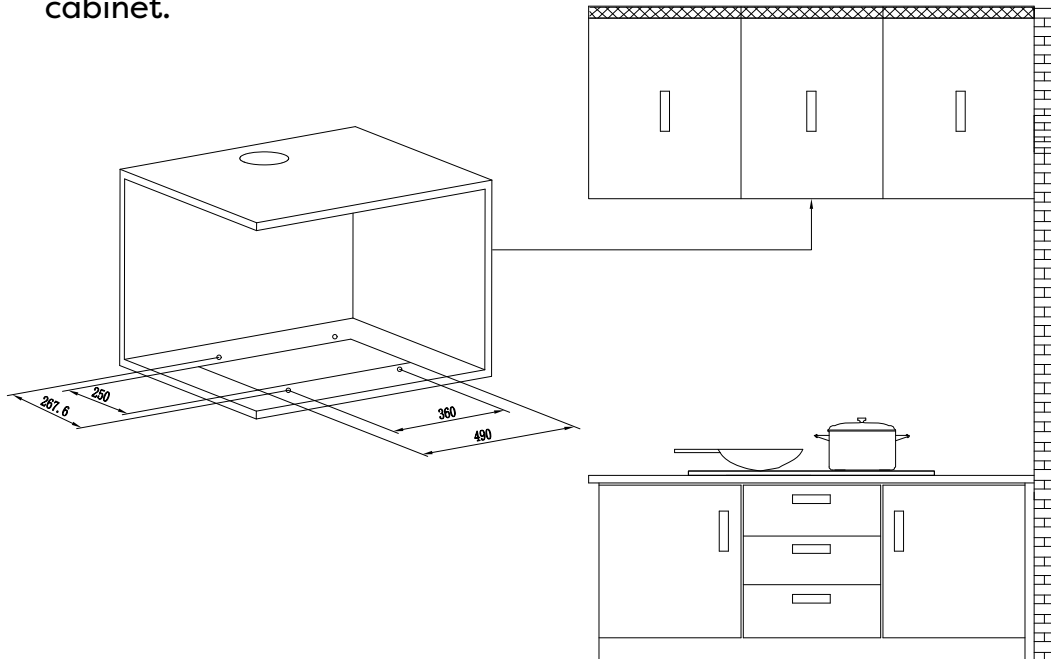
Install the Hood (Extraction) :

- 1) Remove all protective poly film from the hood and/or parts.
- 2) Recommend installation height: 65~75cm above the cooktop for best extraction.
 - ◆ Required height over gas hob: 750mm;
 - ◆ Required height over electric hob: 650mm.

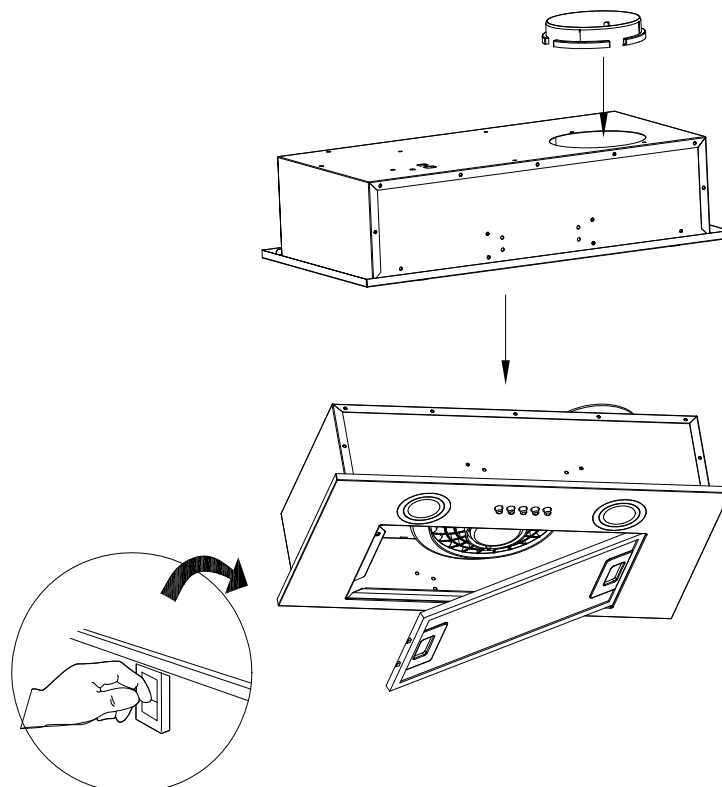


Installation

- 3) Using a drilling tool to open a rectangle hole of 250*490mm on the cabinet.

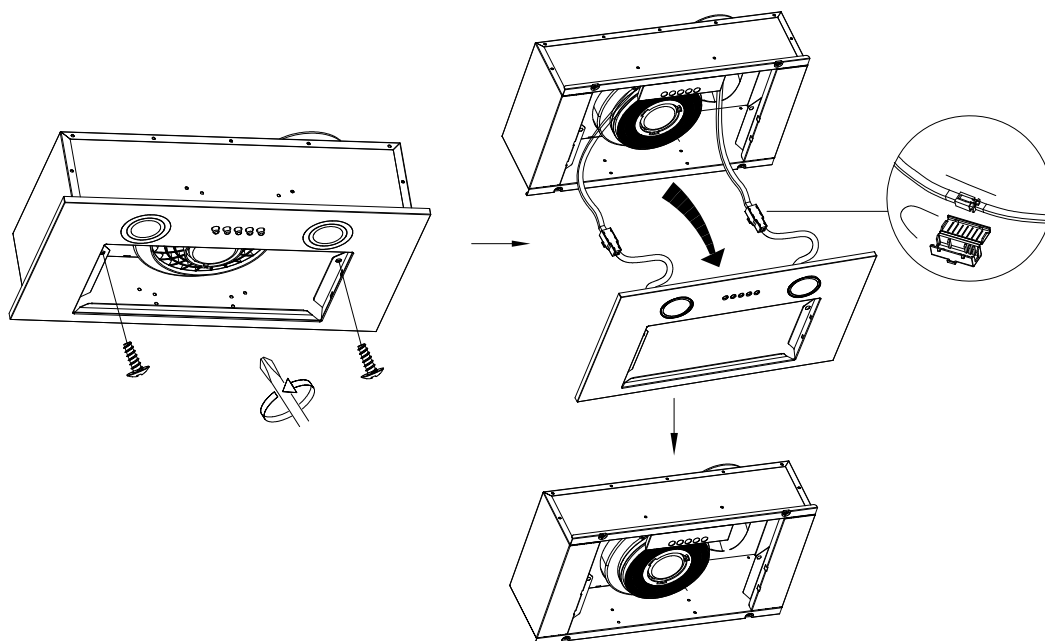


- 4) Put the outlet onto the cooker hood. Press the lock on the left of the grease filter and pull it downward.

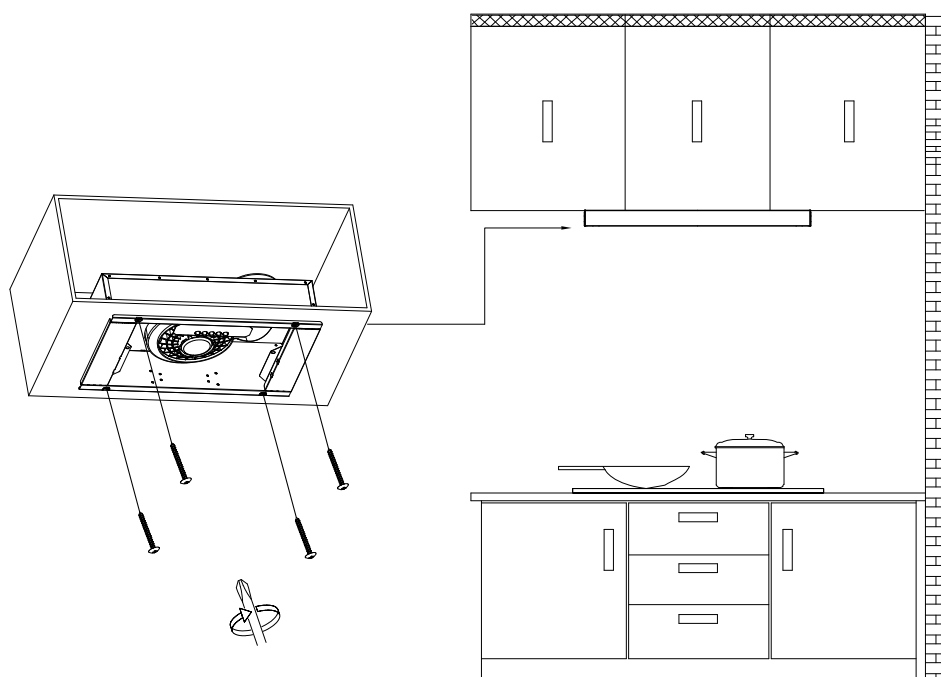


Installation

- 5) Loosen the two screws of the front panel, pull down the front panel and pull out the lamp line. Open the power protection cover and disconnect the plug. Then the front panel could be removed.

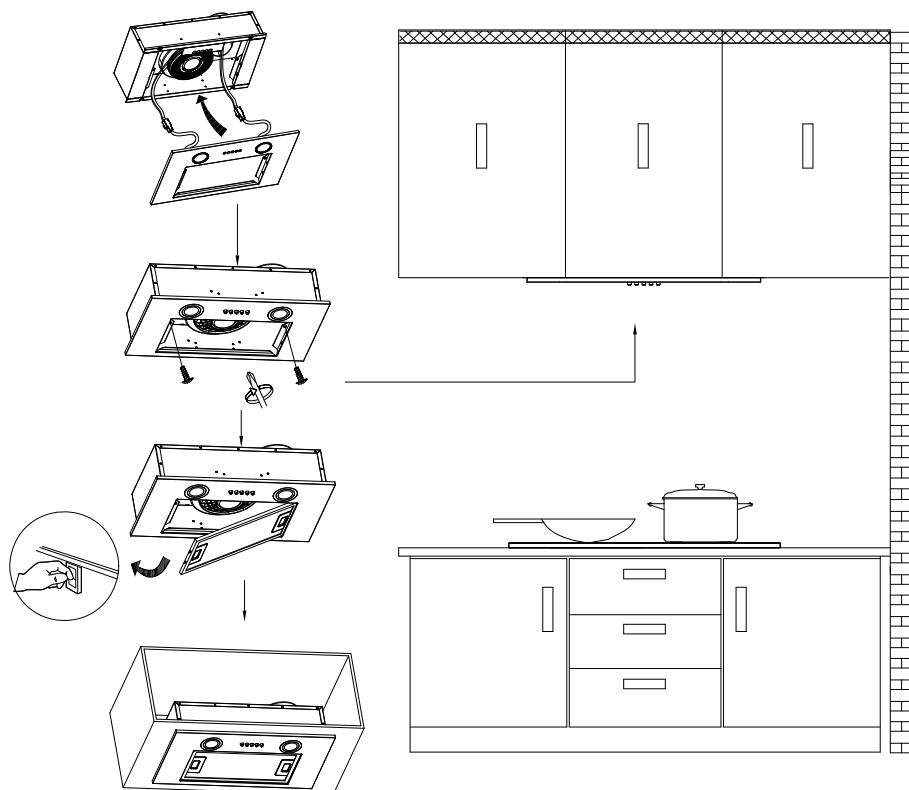


- 6) Put the cooker hood into the rectangle hole of the cabinet. Use four * 20mm screws to lock into the corresponding position of the pencil marked in the cabinet to fix the cook hood.

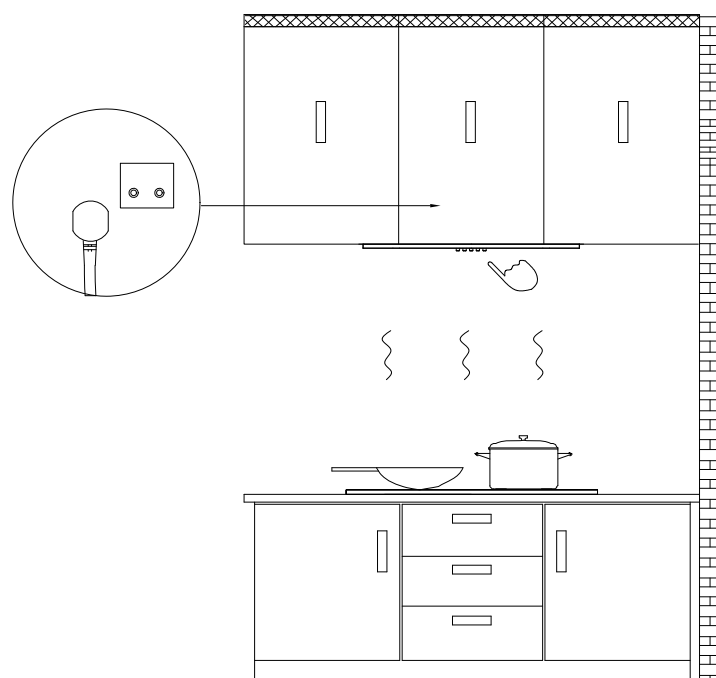


Installation

- 7) Insert the plug of LED light into the power protection box and close the cover. Then install the front panel and drill 2 pieces of setscrews. Then install the aluminum grease filter back.



- 8) Connect the power and turn the LED lights on/off in order to test whether the functions are working properly.



NOTE:

- Make sure you remove the tape on the outlet and check if the damper opens and closes freely, otherwise it make noises, and the cooker hood will be shaking.

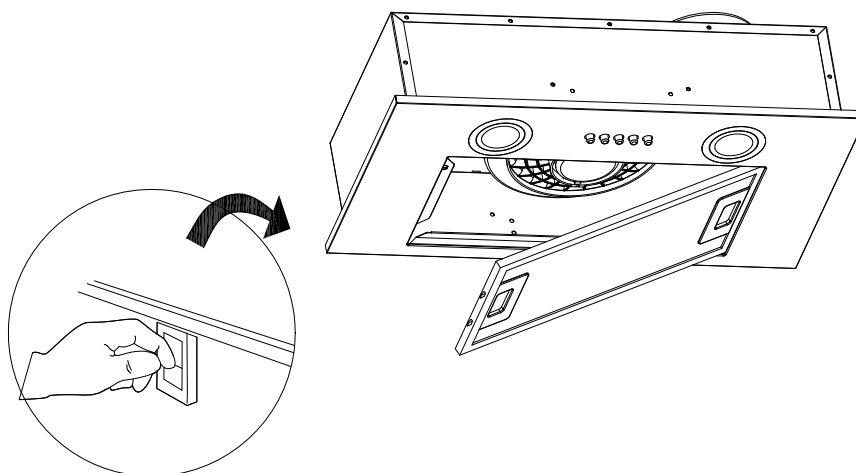
Installation



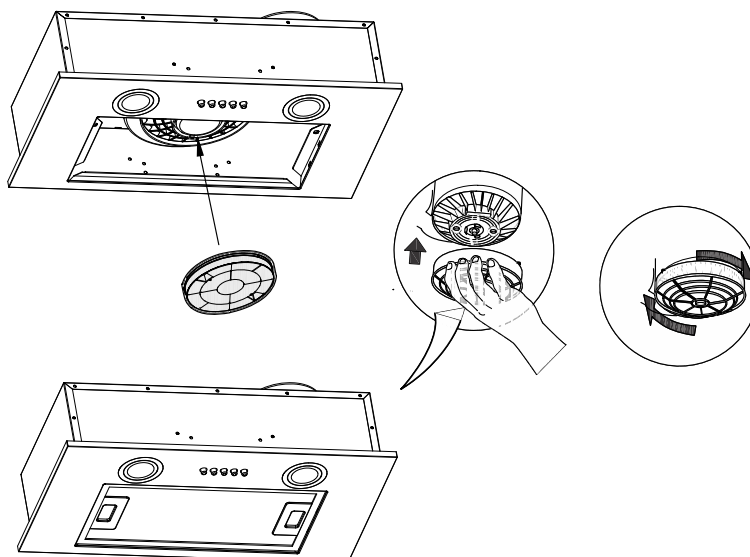
Carbon Filter Installation (Recirculation) :

1. Carbon filter can be used to trap odors.

In order to install the carbon filter, the aluminum grease filter should be detached first. Press the lock and pull it down.



2. Place the carbon filter into the unit and turn it in the clockwise direction to lock it in place.



3. If the carbon filter needs to be replaced, please turn it in the anti-clockwise direction.

NOTE:

- Make sure the carbon filter is securely locked.
- When the carbon filter is installed, the suction of the cooker hood will be reduced.
- The carbon filter should be changed every 2-4 months depending on the conditions of use.

Operation

Always turn your hood on before you begin cooking to establish an airflow in the kitchen.

Let the blower run for a few minutes to clear the air after you turn off the hood. This will help to keep the entire kitchen clean and fresh.

Mechanical Push button

Operate the hood as follows:



Off button

It's used to turn off the fan.

Low Speed button

For air ventilation with barely no noise; or simmering with very little smoke and steam.

Medium Speed button

For your everyday cooking purpose.

High Speed button

High-Speed for stir-fry or cooking with lots of smoke and grease produced.

Light button

When lights are OFF, press this button once to turn ON the lights. Press this button again to turn OFF the lights.

Cleaning and Maintenance

Proper maintenance of the Cooker Hood will assure proper performance of the unit. Before cleaning unit, unplug or disconnect the cooker hood from the power supply.

GREASE FILTERS

The grease filters should be cleaned frequently. Can be cleaned in dishwasher under high temperature without using any detergent.

CARBON FILTER

The carbon filter should be changed every 2-4 months depending on the conditions of use. Replace more often if your cooking style generates lots of greases, such as stir frying. These filters are not washable and cannot be reused. Refer to installation instructions included with a carbon filter.

STAINLESS STEEL CLEANING

Do:

- Regularly clean it with a cloth or rag soaked with warm water and mild soap or liquid dish detergent.
- You may also use a specialized household stainless steel cleaner.

Don't:

- Use any steel or stainless-steel wool or any other scrapers to remove stubborn dirt.
- Use any harsh or abrasive cleansers.
- Let plaster dust or any other construction residues reach the hood. During construction/ renovation, cover the cooker hood to make sure no dust sticks to the stainless-steel surface.

Avoid when choosing a detergent:

- Any cleaners that contain **bleach** will attack stainless steel.
- Any products containing: **chloride, fluoride, iodide, bromide** will deteriorate surfaces rapidly.
- Any combustible products used for cleaning such as **acetone, alcohol, ether, benzol**, etc., are highly explosive and should never be used close to a range.

PAINTED FINISH CLEANING:

Clean with warm water and mild detergent only. If discoloration occurs, use a finish polish such as automotive polish. (DO NOT use a rough abrasive cleaner or porcelain cleaner.)

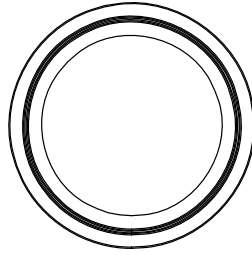
Cleaning and Maintenance

LED REPLACEMENT

■ Circular LED lamp:

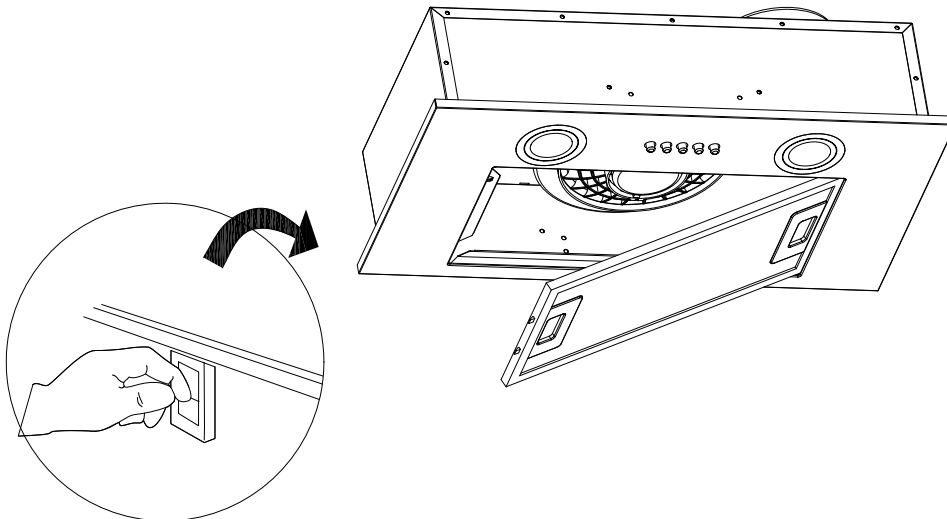


CAUTION:

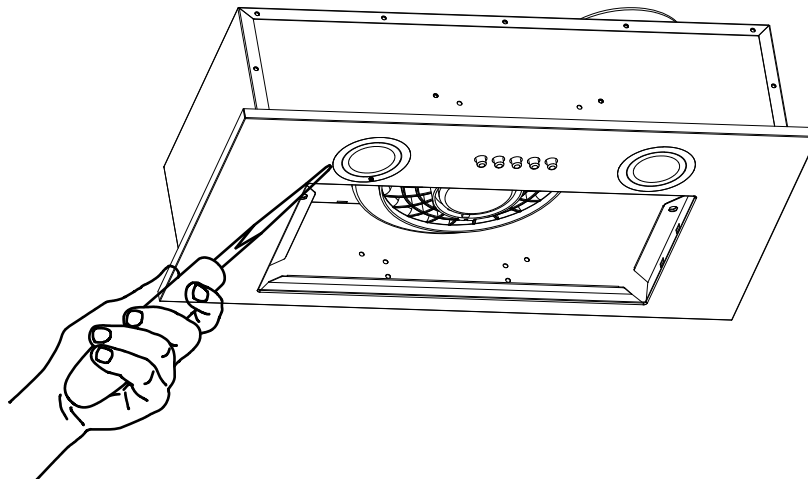


Before cleaning or repairing and replacing accessories, please make sure to shut down the power before operation, so as to avoid electric shock, damage to human body and even endanger life safety!

1. Turn off the hood and unplug the power outlet. Detach the aluminum grease filter in order for you to replace the LED lamp.

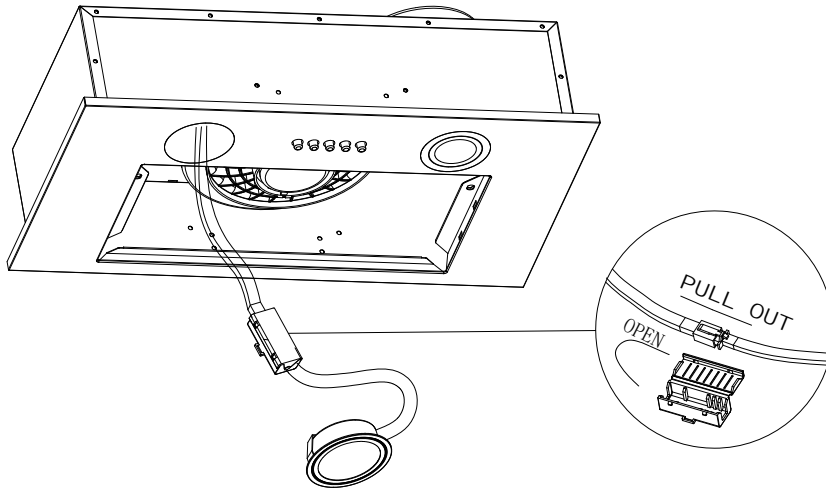


2. Push the LED lamp holder out from the cabinet by hand, or use slotted screwdriver to prize up the LED lamp around the edges, pull out the LED lamp and the wire together.



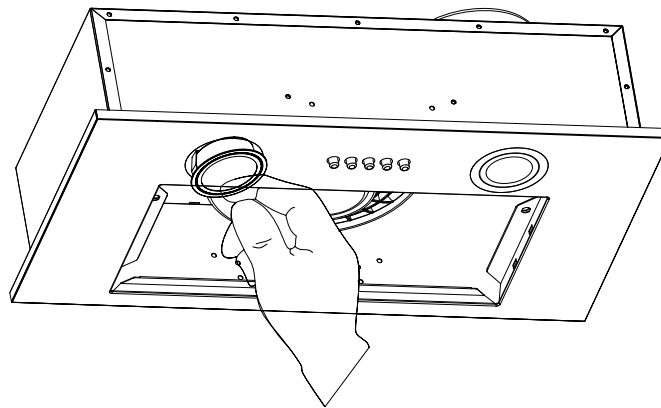
Cleaning and Maintenance

3. Open the power protection cover, pull out the plug and replace the corresponding model of the LED lamp.

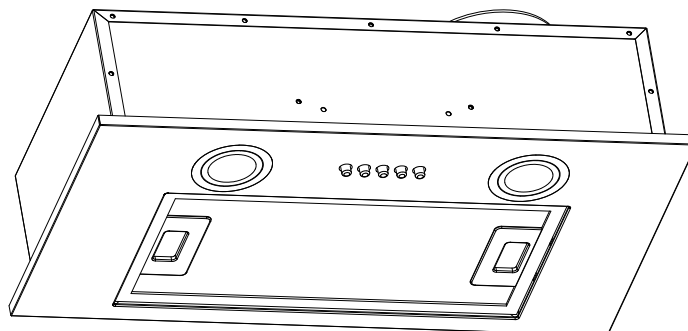


4. Turn the power on and test all blower and light functions to ensure they are operating properly.

Insert the new LED light gently into the light socket, please make sure you aim at the grooves on the lighting panel when installing. Push the LED light in until it is flushed with the light panel.



5. Put the grease filter back on, you are good to go.



Troubleshooting

Problem	Possible Cause	Solution
Extractor hood does not turn on	No electrical supply	Make sure that range hood is plugged into powered outlet. Test outlet with other device if not working
My range hood has poor performance	Inadequate ventilation	Ensure that the kitchen is sufficiently ventilated to allow entry of fresh air
	The range hood and cooktop are too far away from each other	Optimal distance is 65~75cm above the cooktop for best extraction
	Check and make sure the tape holding down the damper flaps at the vent hole are removed before use	Remove the tape holding down the damper
	Grease filters clogged with grease build-up	Clean the grease filters or replace the grease filters
	Carbon filters clogged with grease build-up	Replace new carbon filters
	Motor is running but no extraction	Please contact CIARRA Customer Care Service
My range hood is noisy	Check inside the range hood for any loose debris and remove	Please contact CIARRA Customer Care Service
	If the noise is from the motor, please contact our Customer Care Service	
Lights are not working	Light is damaged	Replace with new LED lamp; remove grease filters, reach inside behind the control panel and locate the wire with clip behind the light housing.
	The light wire terminal is loose	Reset the connection

If problem persists after the above checks, please contact CIARRA Customer Care Centre for assistance.

Environmental Protection

Waste electrical products should not be disposed with household waste. Please recycle where facilities exist. Check with your Local Authority or retailer for recycling advice.



This appliance is marked according to the European directive 2012/19/EU on Waste Electrical and Electronic Equipment (WEEE).

By ensuring this product is disposed of correctly, you will help prevent potential negative consequences for the environment and human health, which could otherwise be caused by inappropriate waste handling of this product.

The symbol on the product indicates that this product may not be treated as household waste. Instead it shall be handed over to the applicable collection point for the recycling of electrical and electronic equipment.

Disposal must be carried out in accordance with local environmental regulations for waste disposal.

For more detailed information about treatment, recovery and recycling of this product, please contact your local city office, your household waste disposal service or the shop where you purchased the product.



Make life easier

Sehr geehrte Kunden:

Vielen Dank für Ihren Einkauf, bitte lesen Sie diese Bedienungsanleitung vor der Installation & Verwendung sorgfältig durch.

Bei Fragen kontaktieren Sie uns bitte unter:

E-mail: info@ciarraappliances.com

INHALT

Sicherheit	22-23
Spezifikationen	24
Vor der Verwendung der Dunstabzugshaube	25
Vorbereitung für die Installation	26
Installation	27-31
Installation der Dunstabzugshaube	27-30
Installation von Aktivkohlefiltern	31
Bedienung	32
Reinigung und Instandhaltung	33-35
Fettfilter	33
Aktivkohlefilter	33
Reinigung von Edelstahl	33
Reinigung von Lackierten Oberflächen	33
LED Ersatz	34-35
Störungssuche	36
Umweltschutz	37

Sicherheit

WARNUNG



Um das Risiko von Feuer, Stromschlag oder Verletzungen von Personen zu verringern, beachten Sie bitte Folgendes:



- Verwenden Sie bitte dieses Gerät nur in der vom Hersteller vorgesehenen Weise. Bei Fragen kontaktieren Sie bitte den Hersteller unter der in der Garantie angegebenen Adresse oder Telefonnummer.
- Trennen Sie die Dunstabzugshaube von der Stromversorgung, bevor Sie das Gerät warten oder reinigen.
- Dieses Gerät ist nicht für den Gebrauch durch Personen (einschließlich Kinder) mit eingeschränkten physischen, sensorischen oder geistigen Fähigkeiten oder Mangel an Erfahrung und Wissen bestimmt, es sei denn, sie werden von einer für ihre Sicherheit verantwortlichen Person beaufsichtigt oder in die Verwendung des Geräts eingewiesen.
- Installationsarbeiten und elektrische Verkabelung, einschließlich Brandschutzkonstruktionen müssen von einer qualifizierten Person gemäß allen geltenden Vorschriften und Normen durchgeführt werden.
- Für die ordnungsgemäße Verbrennung und Abführung von Gasen durch den Rauchabzug (Kamin) von Brennstoffverbrennungsanlagen wird ausreichend Luft benötigt, um ein Zurückziehen zu verhindern.
- Beschädigen Sie beim Schneiden oder Bohren in Wände oder Decken keine elektrischen Leitungen und andere versteckte Einrichtungen.
- Kanalventilatoren müssen immer nach außen entlüftet werden.
- Stellen Sie sicher, dass die Vorschriften der örtlichen Behörden bezüglich der Ableitung der Abluft eingehalten werden.
- Dieses Gerät muss geerdet werden.
- Wenn die geltenden örtlichen Vorschriften restriktivere Installations- und/oder Zertifizierungsanforderungen enthalten, haben die vorgenannten Anforderungen Vorrang vor denen dieses Dokuments, und der Installateur verpflichtet sich, diese auf eigene Kosten einzuhalten.
- Reinigen Sie bitte den Lüfter regelmäßig. Es darf sich kein Fett auf dem Lüfter, den Filtern oder in den Abluftkanälen ansammeln.



Warnung: Wenn die Schrauben oder die Befestigungsvorrichtung nicht gemäß dieser Anleitung installiert werden, können elektrische Gefahren entstehen.

WARNUNG

UM DAS VERLETZUNGSRISIKO VON PERSONEN BEI DER VERANSTALTUNG ZU REDUZIEREN BEACHTEN SIE BEI EINEM REIHE TOP FETTFEUER FOLGENDES*:

1. ERSTICKEN SIE BITTE DIE FLAMMEN mit einem dicht schließenden Deckel, Backblech oder Metallschale und schalten Sie dann den Brenner aus. Achten Sie darauf, Verbrennungen zu vermeiden. WENN DIE FLAMMEN NICHT SOFORT erlöschen, evakuieren und rufen Sie bitte die Feuerwehr an.
2. NEHMEN SIE BITTE NIEMALS EINE FLAMMENDE PFANNE AUF - Sie könnten sich somit verbrennen.
3. VERWENDEN SIE BITTE KEIN WASSER, einschließlich nasser Geschirrtücher oder Handtücher. Dies kann eine heftige Dampfexplosion verursachen.
4. Verwenden Sie einen Feuerlöscher NUR, wenn:
 - a) Sie besitzen einen Feuerlöscher der Klasse ABC und wissen, wie man ihn bedient.
 - b) Das Feuer ist klein und befindet sich in dem Bereich, in dem es begonnen hat.
 - c) Die Feuerwehr ist bereits angerufen worden.
 - d) Sie können das Feuer mit dem Rücken zu einem Ausgang bekämpfen.

VORSICHT

- Nur für Gebrauch im Innenbereich.
- Nur zur allgemeinen Belüftung. Das Gerät darf nicht zum Abführen gefährlicher oder explosiver Materialien und Dämpfe verwendet werden.
- Befolgen Sie immer die Anforderungen vom Hersteller des Kochgerätes hinsichtlich der Belüftungsanforderungen.
- Um die Brandgefahr zu verringern und die Luft ordnungsgemäß abzuführen, muss die Abluft nach außen geleitet werden – Lassen Sie die Luft nicht in Innenräume oder in Dachböden, Zwischendecken oder Garagen ab.
- Es wird empfohlen, bei der Installation, Wartung oder Reinigung eine Schutzbrille und Handschuhe zu tragen.
- Lesen Sie bitte das Typenschild auf dem Produkt für weitere Informationen und Anforderungen.

Spezifikationen



Stromspannung	220V-240V~ 50Hz
Motorleistung	1 x 70W
Leistung von Lampen	2 x 1 W
Gerätedimension	520*280*130mm (W x D x H)
Hinweis: Der Hersteller behält sich das Recht vor, technologische Verbesserungen oder Modifikationen ohne vorherige Ankündigung vorzunehmen.	



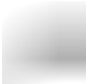
Vor der Verwendung der Dunstabzugshaube



VORSICHT: Bevor Sie mit der Installation fortfahren, überprüfen Sie, ob Teile fehlen oder beschädigt sind, wenden Sie sich an den Hersteller.

Beachten Sie alle geltenden Gesetze und Verordnungen. Lassen Sie die Dunstabzugshaube von einem qualifizierten Techniker installieren. Es liegt in der Verantwortung des Installateurs, die auf dem Typenschild des Modells/der Seriennummer angegebenen Installationsabstände einzuhalten. Der Hersteller lehnt jede Verantwortung für unsachgemäße Installation ab und übernimmt keine Garantie für das Gerät im Falle von Schäden, die durch unsachgemäße Installation verursacht wurden

COMPONENTS:

	TEIL 1: 4*20mm Schrauben	X 4
	TEIL 2: Installationshandbuch	X 1
	TEIL 3: Dunstabzugshaubengehäuse	X 1
	TEIL 4: Luftauslass	X 1
	TEIL 5: Windschutzklinge	X 1

DE

SIE BRAUCHEN DIESE WERKZEUGE FÜR DIE INSTALLATION



1. Schutzhandschuhe



4. Doppelseitiges Klebeband oder Klebeband



2. Wasserwaage Lineal



5. Kreuzschlitzschraubendreher Satz



3. Maßband



6. Elektrischer Bohrer und 8 mm Bohre

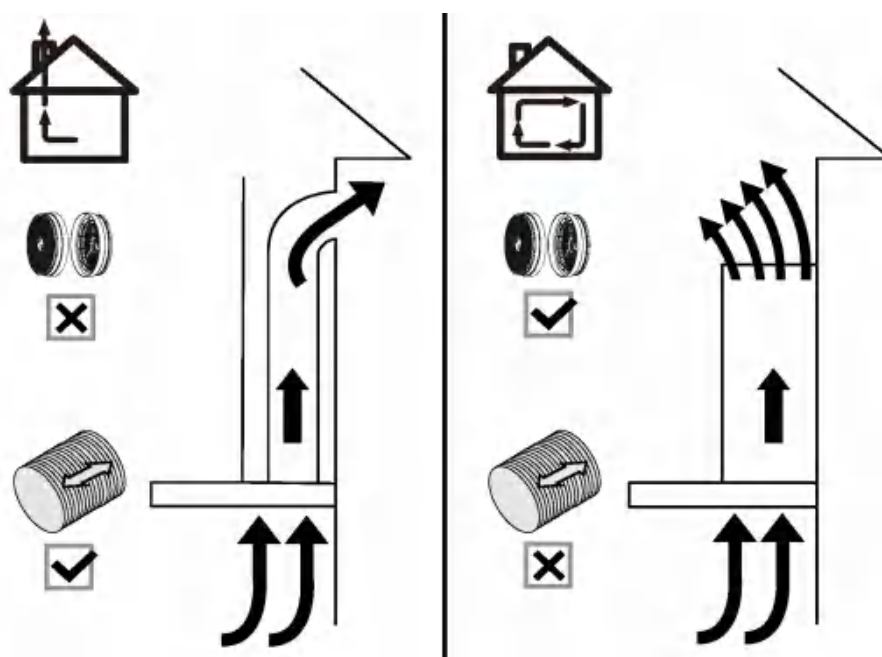
Vorbereitung für die Installation

Vorbereitung für die Installation:

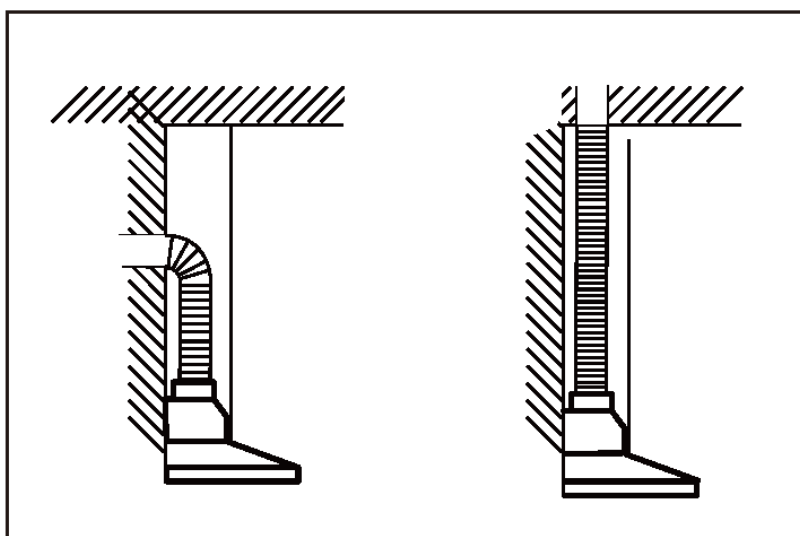
a) Umluftbetrieb

Umluftmodus: Umluft mit Aktivkohlefilter (erforderlich), die Gerüche und Odeure können durch die obere Entlüftungsöffnung gefiltert und entlüftet werden und das Auspuffrohr wird nicht benötigt.

Absaugmodus: Sie können das 1,5 m lange Aluminium-Auspuffrohr mit einem Durchmesser von 120 mm zum Absaugen installieren.



- b) Verwenden Sie nach Möglichkeit mindestens 60 cm gerade Strecken vor allen Kurven. Für die beste Leistung bei längeren Kanalstrecken sind möglicherweise größere Luftkanäle erforderlich.



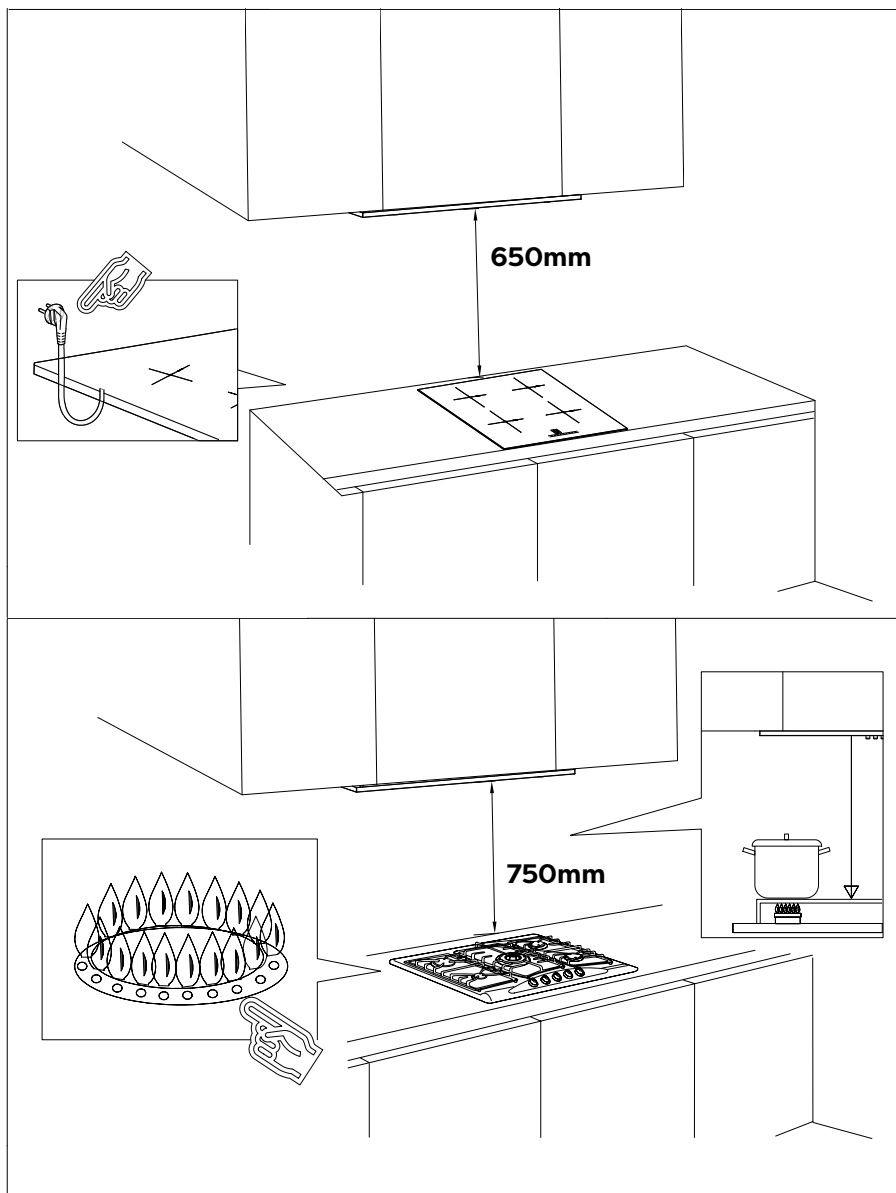
- c) Schließen Sie die Stromversorgung vor der Installation nicht an.



Installieren Sie die Dunstabzugshaube

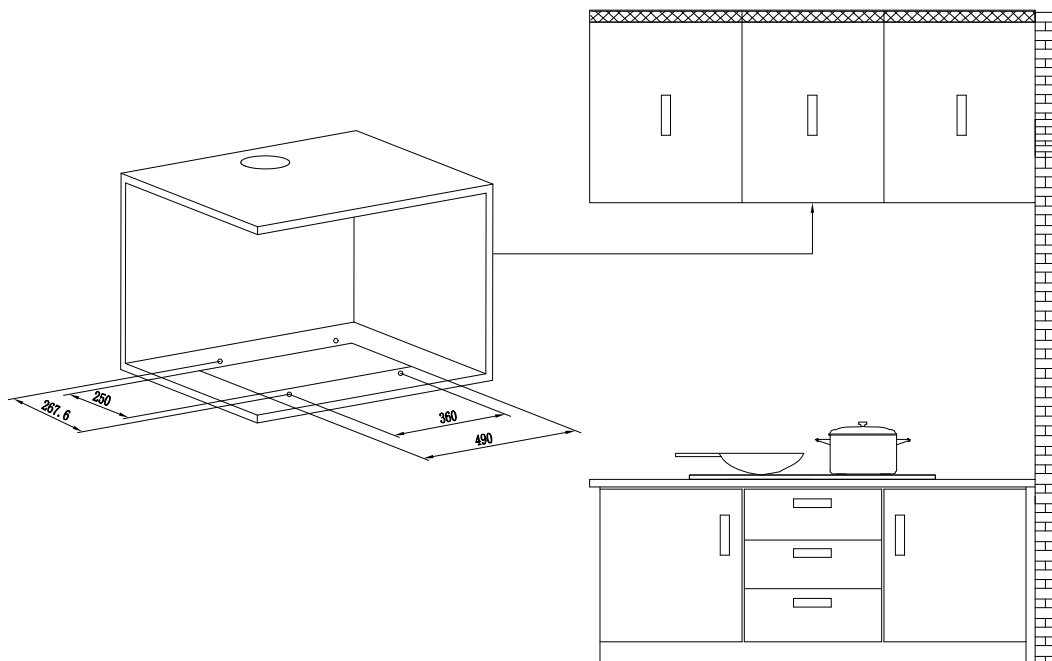
(Absaugung):

- 1) Entfernen Sie alle Schutzfolien von der Haube und/oder Teilen.
- 2) Empfohlene Installationshöhe: 65~75cm über dem Kochfeld für beste Absaugung.
 - ◆ Erforderliche Höhe über Gaskochfeld: 750 mm;
 - ◆ Erforderliche Höhe über Elektrokochfeld: 650 mm.

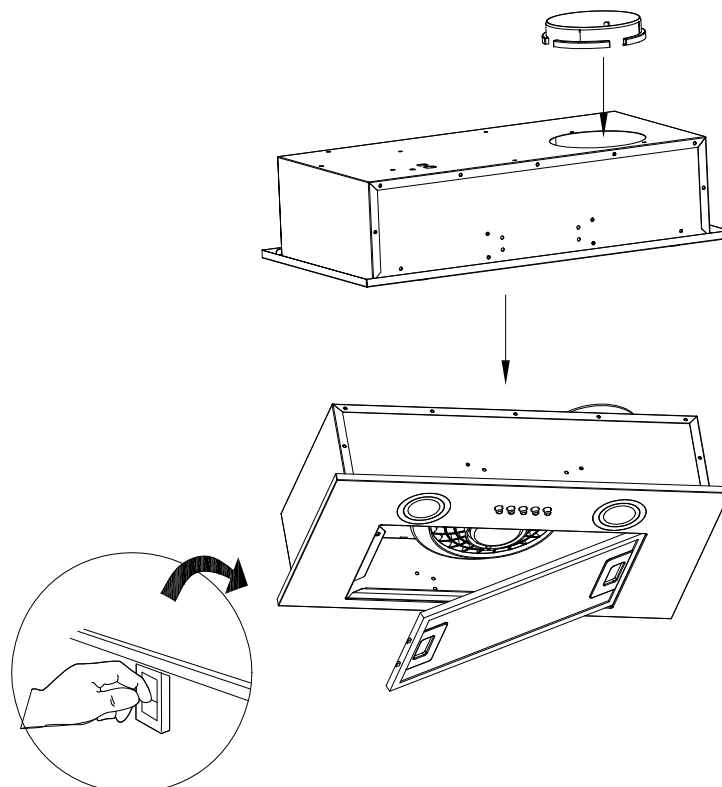


Installation

- 3) Bohren Sie mit einer Bohrmaschine ein rechteckiges Loch von 250 * 490 mm im Schrank.

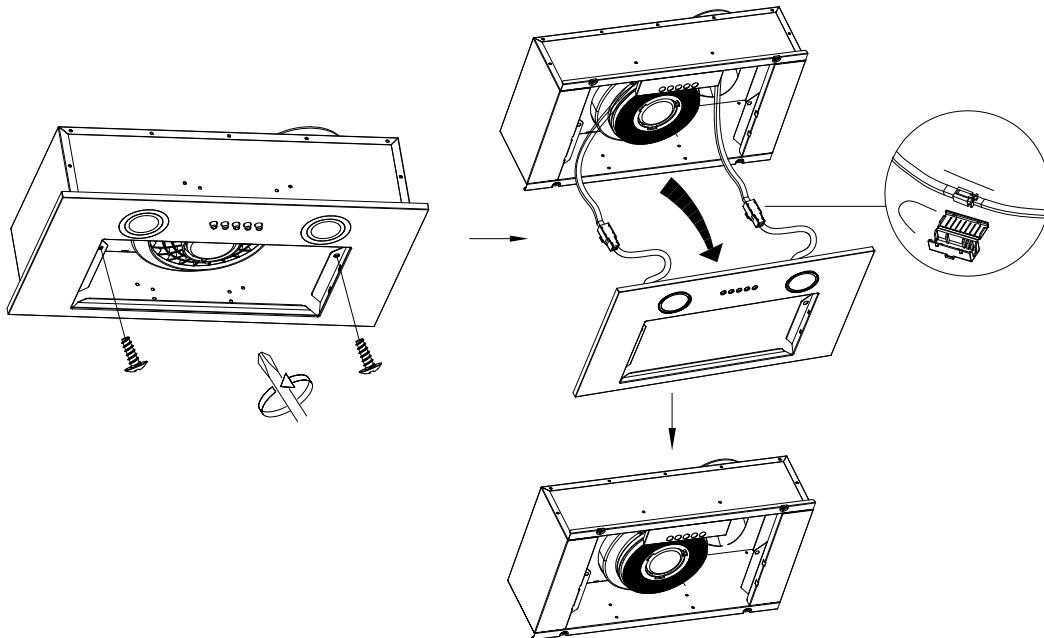


- 4) Setzen Sie der Dämpfer auf die Dunstabzugshaube. Drücken Sie die Verriegelung links am Fettfilter und ziehen Sie sie nach unten.

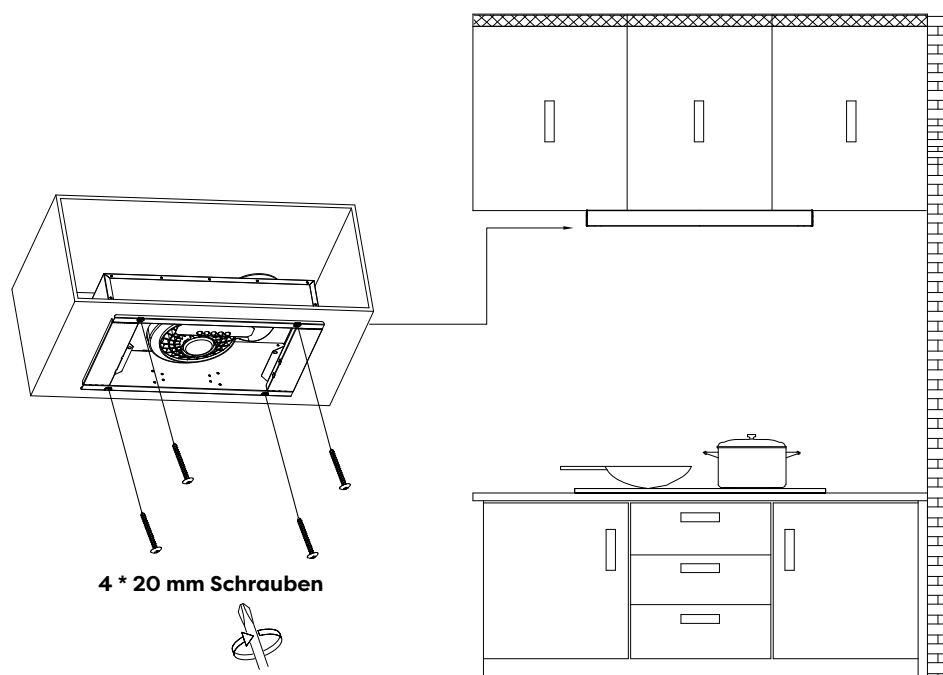


Installation

- 5) Lösen Sie die beiden Schrauben der Frontplatte, ziehen Sie die Frontplatte ab und ziehen Sie die Lampenleitung heraus. Öffnen Sie die Netzschutzabdeckung und ziehen Sie den Stecker ab. Dann konnte die Frontplatte entfernt werden.

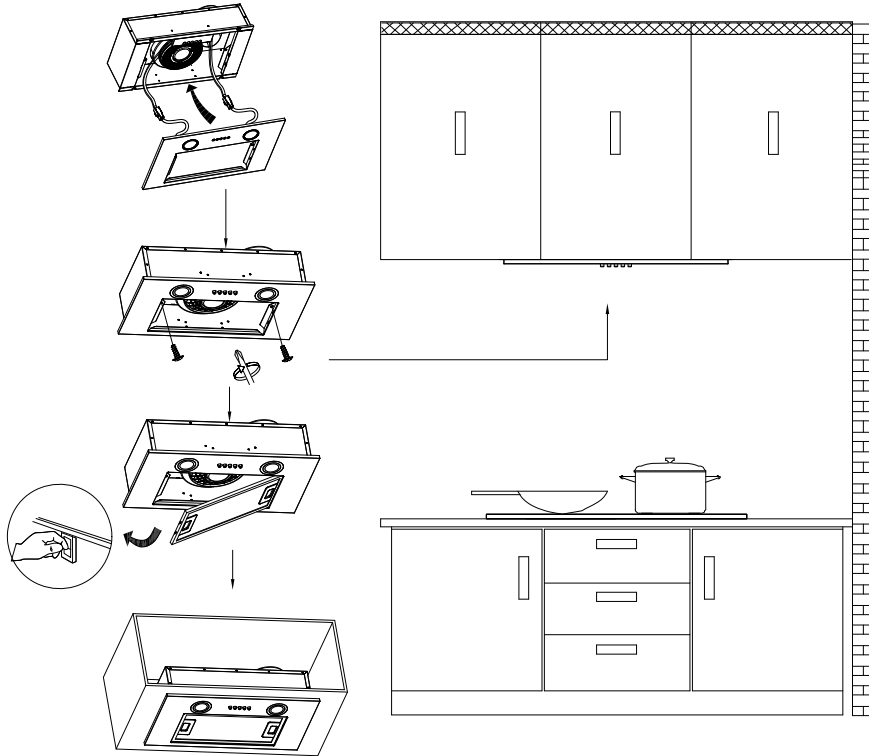


- 6) Setzen Sie die Dunstabzugshaube in das rechteckige Loch des Schrankes. Verwenden Sie vier 4*20mm-Schrauben, um sie in die entsprechende Position zu verriegeln, der im Schrank mit dem Bleistift markiert ist, um die Dunstabzugshaube zu befestigen.

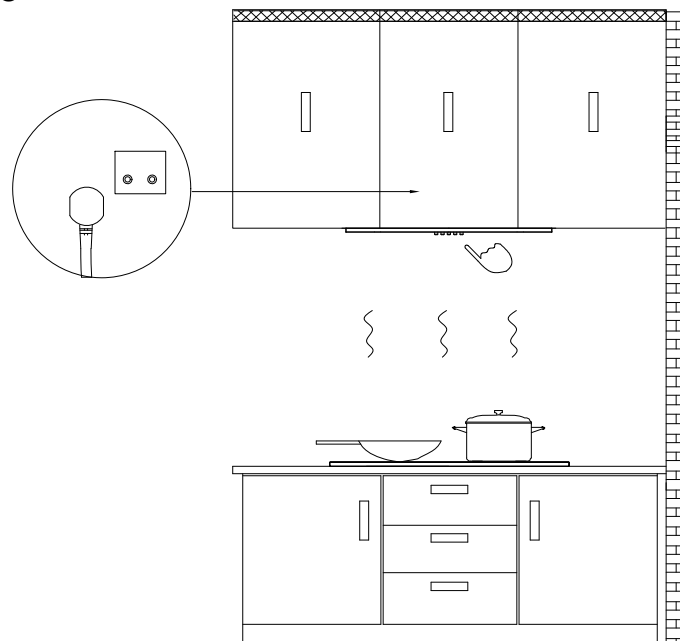


Installation

- 7) Stecken Sie den Stecker der LED-Beleuchtung in die Stromschutzbox und schließen Sie die Abdeckung. Dann installieren Sie die Frontplatte und bohren Sie zwei Gewindestifte. Anschließend wird der Aluminium-Fettfilter wieder eingebaut.



- 8) Schließen Sie die Stromversorgung an, schalten Sie die LED-Beleuchtung ein/aus und prüfen Sie, ob die Funktionen ordnungsgemäß funktionieren.



Hinweis:

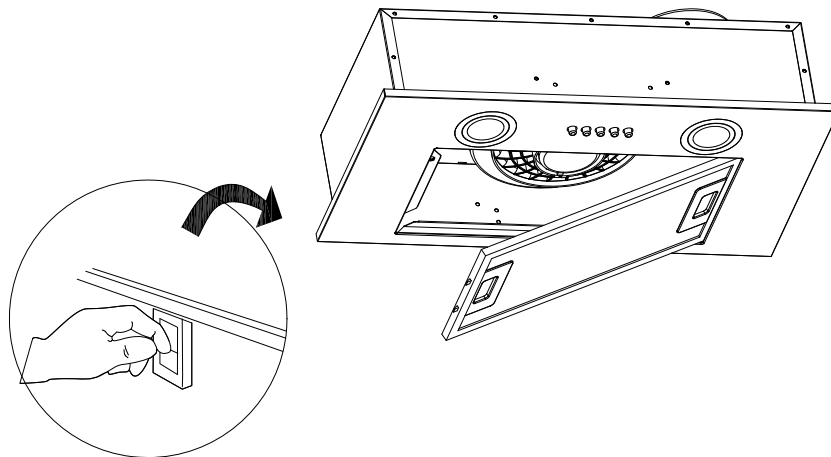
- Stellen Sie sicher, dass Sie das Klebeband vom Dämpfer entfernen und überprüfen Sie, ob der Dämpfer frei geöffnet und geschlossen werden kann, sonst macht er der Lärm und die Dunstabzugshaube wackelt.



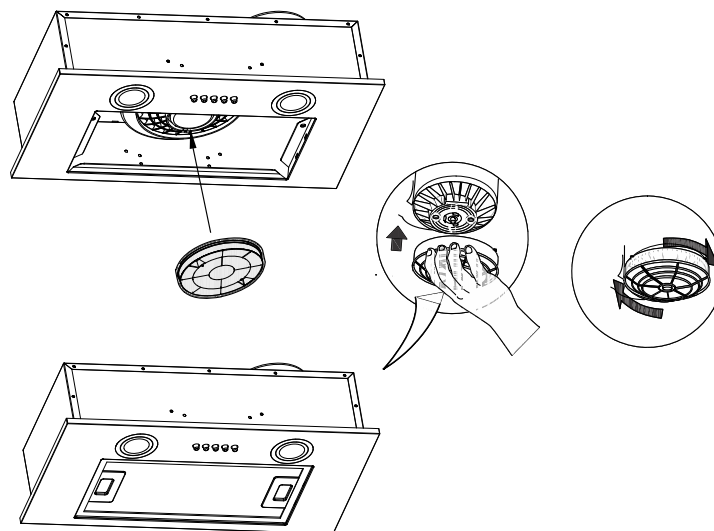
Installation von Aktivkohlefiltern (UMLUFT):

1. Aktivkohlefilter kann zum Einfangen von Gerüchen verwendet werden.

Damit der Aktivkohlefilter eingebaut werden kann, muss zuerst der Fettfilter abgenommen werden. Drücken Sie bitte das Schloss und ziehen Sie den Fettfilter nach unten.



2. Stecken Sie bitte einen Aktivkohlefilter in das Gerät ein und drehen Sie ihn im Uhrzeigersinn, bis er einrastet.



3. Installieren Sie den Fettfilter. Zum Austausch drehen Sie es bitte gegen den Uhrzeigersinn.

HINWEISE:

- Stellen Sie sicher, dass die Filter sicher verriegelt sind.
- Wenn Aktivkohlefilter angebracht sind, ist die Saugleistung geringer.
- Die Aktivkohlefilter sollten je nach Bedingungen alle 2-4 Monate ausgetauscht werden.

Bedienung

Schalten Sie bitte Ihre Dunstabzugshaube immer ein, bevor Sie mit dem Kochen beginnen, um einen Luftstrom in der Küche herzustellen.

Lassen Sie bitte den Lüfter nach dem Ausschalten des Herdes noch einige Minuten laufen, um die Luft zu reinigen. Dadurch bleibt die gesamte Küche sauberer und frischer.

Mechanical Druckknopf

Bedienen Sie die Haube wie folgt:



Aus-Kopf

Es wird verwendet, um den Lüfter auszuschalten.

Niedrige Geschwindigkeit

Für eine geräuscharme Belüftung; oder mit sehr wenig Rauch und Dampf köcheln.

Mittlere Geschwindigkeit

Für Ihren täglichen Kochzweck.

Hohe Geschwindigkeit

Hohe Geschwindigkeit zum Anbraten oder Kochen mit viel Rauch und Fett produziert.

Lichtknopf

Wenn die Lichter ausgeschaltet sind, drücken Sie einmal auf diesen Knopf, um die Lichter einzuschalten. Drücken Sie diesen Knopf erneut, um die Lichter auszuschalten.

Reinigung und Instandhaltung

Die ordnungsgemäße Wartung der Dunstabzugshaube gewährleistet die ordnungsgemäße Leistung des Geräts. Ziehen Sie vor der Reinigung des Gerätes den Netzstecker oder trennen Sie die Dunstabzugshaube von der Stromversorgung.

FETTFILTER

Die Fettfilter sollten regelmäßig gereinigt werden. Kann in der Spülmaschine bei hoher Temperatur ohne Verwendung von Reinigungsmitteln gereinigt werden.

KOHLENSTOFFFILTER

Der Aktivkohlefilter sollte je nach Einsatzbedingungen alle 2-4 Monate gewechselt werden. Ersetzen Sie ihn häufiger, wenn Ihr Kochstil viel Fett erzeugt, wie zum Beispiel beim Pfannenrühren. Diese Filter sind nicht waschbar und können nicht wiederverwendet werden. Lesen Sie bitte die den Aktivkohlefilter bei gepackten Installationsanweisungen.

EDELSTAHL REINIGUNG

Ja:

- Reinigen Sie bitte den Edelstahl regelmäßig mit einem sauberen Tuch oder Lappen, der mit warmem Wasser und milder Seife oder flüssigem Geschirrspülmittel getränkt ist.
- Sie können auch einen speziellen Haushaltsreiniger für Edelstahl verwenden.

Nicht:

- Entfernen Sie hartnäckigen Schmutz mit Stahl oder Edstahlwolle oder anderen Schabern.
- Verwenden Sie scharfe oder scheuernde Reinigungsmittel.
- Lassen Sie Gipsstaub oder andere Baurückstände in die Haube gelangen. Decken Sie während des Baus / der Renovierung die Dunstabzugshaube ab, um sicherzustellen, dass kein Staub an der Edstahlfläche haftet.

Vermeiden Sie bei der Auswahl eines Waschmittels bitte:

- Alle Reinigungsmittel, die Bleichmittel enthalten. Sie können Edelstahl angreifen.
- Alle Produkte, die Chloride, Fluoride, Iodide und Bromide enthalten. Sie verschlechtern die Oberflächen schnell.
- Alle zur Reinigung verwendeten brennbaren Produkte wie Aceton, Alkohol, Ether, Benzol usw. Sie sind hochexplosiv und sollten niemals in der Nähe einer Dunstabzugshaube verwendet werden.

REINIGUNG VON LACKIERTEN OBERFLÄCHEN:

Reinigen Sie lackierte Oberfläche nur mit warmem Wasser und einem milden Reinigungsmittel. Wenn Verfärbungen auftreten, verwenden Sie eine Politur wie Autopolitur (Verwenden Sie bitte KEINEN groben Scheuermittel oder Porzellanreiniger).

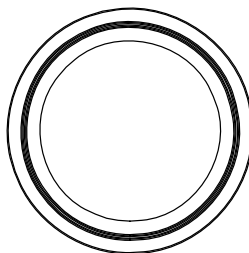
Reinigung und Instandhaltung

LED-AUSTAUSCH

■ Rechteckige LED- Leuchte:

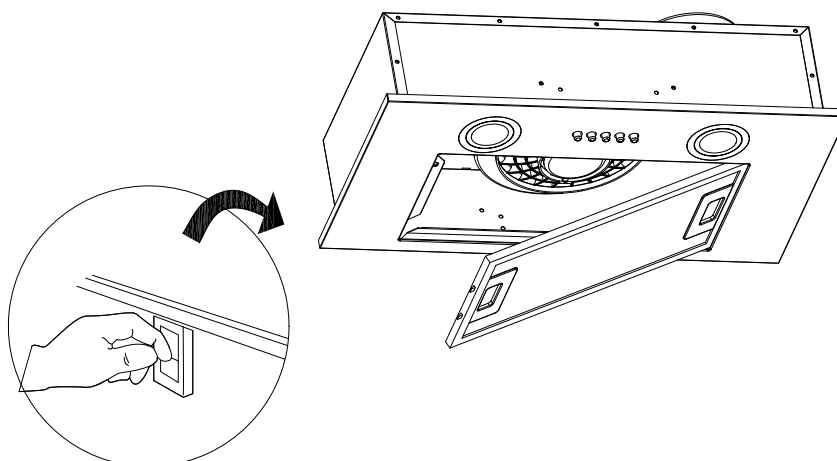


VORSICHT:

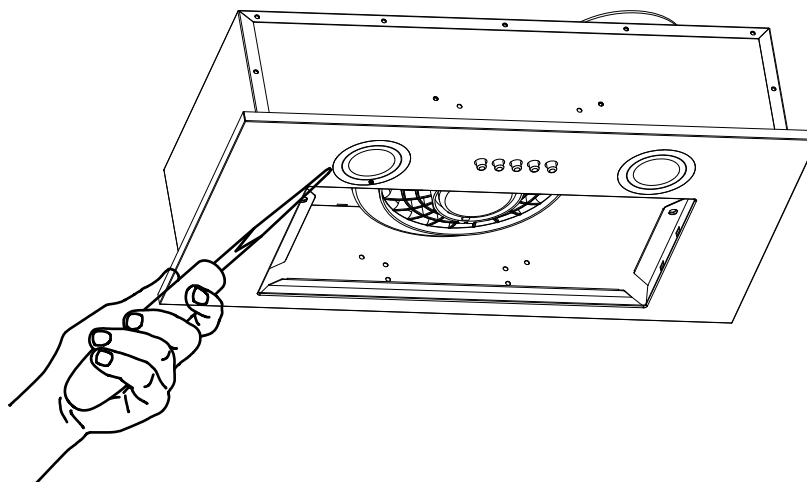


Bevor Sie Zubehör reinigen oder reparieren und austauschen, stellen Sie bitte sicher, dass die Stromversorgung vor dem Betrieb unterbrochen wird, um Stromschläge, Schäden am menschlichen Körper und sogar Lebensgefahr zu vermeiden!

1. Wenn die LED-Lampe auszutauschen ist, muss zuerst das Fettfilter abgenommen werden. Drücken Sie die Verriegelung und ziehen Sie es nach unten.

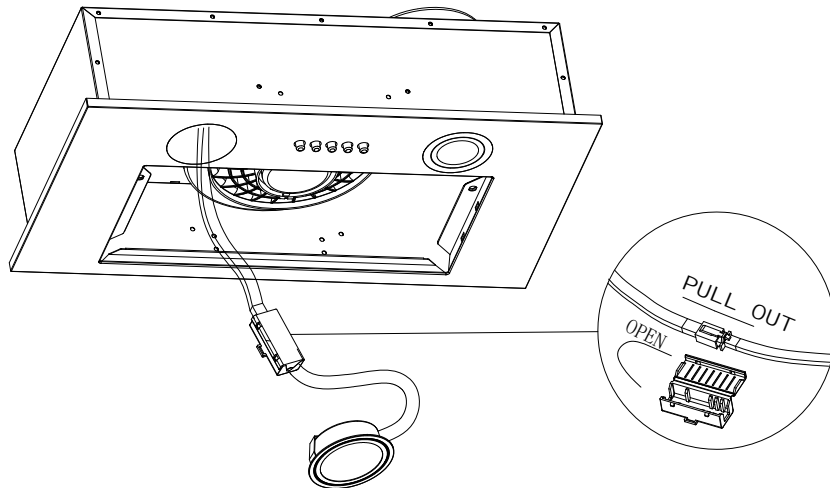


2. Ziehen Sie den LED-Lampenhalter aus dem Schrank mit der Hand oder hebeln Sie die LED-Lampe mit einem Schlitzschraubendreher an den Kanten hoch, ziehen Sie die LED-Lampe und das Kabel zusammen heraus.

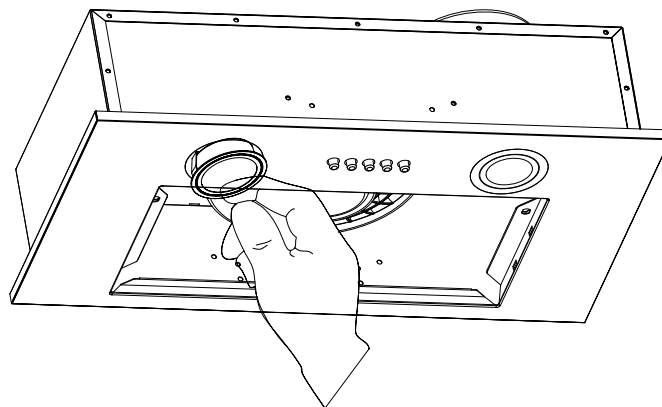


Reinigung und Instandhaltung

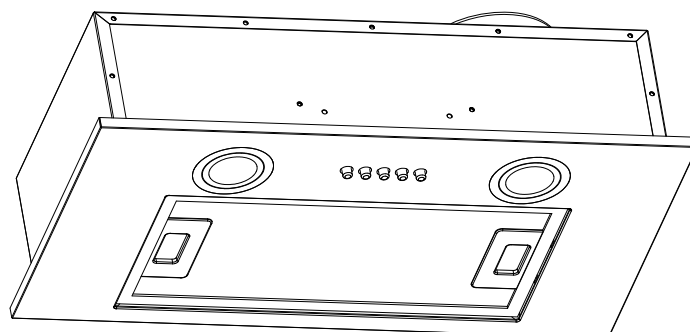
3. Öffnen Sie die Stromschutzabdeckung, ziehen Sie den Stecker heraus und ersetzen Sie die LED-Lampe mit dem entsprechenden Modell.



4. Schalten Sie das Gerät ein und testen Sie alle Gebläse- und Lichtfunktionen, um sicherzustellen, dass sie richtig funktionieren. Setzen Sie das neue LED-Licht vorsichtig in die Lampenfassung ein, achten Sie bitte darauf, dass Sie bei der Installation auf die Rillen des Beleuchtungspanels zielen. Drücken Sie das LED-Licht hinein, bis es bündig mit der Lichtplatte abschließt.



5. Setzen Sie den Fettfilter wieder ein, es kann losgehen.



Störungssuche

Problem	Mögliche Ursache	Lösung
Dunstabzugshaube schaltet sich nicht ein	Keine elektrische Versorgung	Stellen Sie sicher, dass die Dunstabzugshaube an eine Steckdose angeschlossen ist. Testen Sie die Steckdose mit einem anderen Gerät, falls sie nicht funktioniert.
Meine Dunstabzugshaube hat eine schlechte Leistung	Unzureichende Belüftung	Sicherstellen, dass die Küche ausreichend belüftet ist, damit Frischluft einströmen kann
	Die Dunstabzugshaube und das Kochfeld sind zu weit voneinander entfernt	Optimaler Abstand ist 65~75cm über dem Kochfeld für beste Absaugung
	Prüfen Sie, ob das Klebeband, das die Klappen an der Lüftungsöffnung festhält, vor der Verwendung entfernt wurde.	Entfernen Sie das Klebeband, das den Dämpfer festhält.
	Durch Fettablagerungen verstopfte Fettfilter	Reinigen Sie die Fettfilter oder tauschen Sie die Fettfilter aus.
	Durch Fettablagerungen verstopfte Kohlefilter	Neue Kohlefilter auswechseln
	Motor läuft, aber keine Absaugung	Bitte kontaktieren Sie den CIARRA-Kundendienst
Meine Dunstabzugshaube ist laut	Prüfen Sie das Innere der Dunstabzugshaube auf lose Verschmutzungen und entfernen Sie	Bitte kontaktieren Sie den CIARRA-Kundendienst
	Wenn das Geräusch vom Motor herrührt, wenden Sie sich bitte an unseren Kundendienst	
Die Lichter funktionieren nicht	Licht ist beschädigt	Ersetzen Sie die LED-Lampe durch eine neue; entfernen Sie die Fettfilter, greifen Sie hinter das Bedienfeld und suchen Sie das Kabel mit dem Clip hinter dem Lichtgehäuse.
	Der Anschluss des Lichtkabels ist lose	Zurücksetzen der Verbindung

Wenn das Problem nach den oben genannten Prüfungen weiterhin besteht, wenden Sie sich bitte an das CIARRA-Kundendienstzentrum, um Hilfe zu erhalten.

Umweltschutz

Alte elektrische Produkte dürfen nicht mit dem Hausmüll entsorgt werden. Bitte recyceln Sie die Produkte, wo entsprechende Einrichtungen vorhanden sind. Wenden Sie sich bitte an die örtliche Behörde oder Ihren Händler, um Informationen zum Recycling zu erhalten.



Dieses Gerät ist gemäß der europäischen Richtlinie 2012/19/EU über Elektround Elektronik-Altgeräte (WEEE) gekennzeichnet.

Indem Sie sicherstellen, dass dieses Produkt ordnungsgemäß entsorgt wird, leisten Sie einen Beitrag dazu, mögliche negative Folgen für die Umwelt und die menschliche Gesundheit zu vermeiden, die andernfalls durch einen unangemessenen Umgang mit diesem Produkt verursacht werden könnten.

Das Symbol auf dem Produkt weist darauf hin, dass dieses Produkt nicht als Hausmüll behandelt werden darf. Stattdessen ist es an die zuständige Sammelstelle für das Recycling von Elektro und Elektronik-Geräten zu übergeben.

Die Entsorgung muss gemäß den örtlichen Umweltvorschriften für die Abfallentsorgung vorgenommen werden. Für weitere Informationen zur Behandlung, Rückgewinnung und Recycling dieses Produkts kontaktieren Sie bitte das örtliche Bürgeramt, Ihren Hausmüllentsorgungsdienst oder das Geschäft, in dem Sie das Produkt gekauft haben.



Chère Cliente, Cher Client:

Merci beaucoup pour votre achat. Nous vous prions de lire ce mode d'emploi soigneusement avant de l'installation et la mise en service de cet appareil.

Si vous avez des questions, veuillez nous contacter par cette adresse:

E-mail: info@ciarraappliances.com

Table des matières

Prescriptions de sécurité	41-42
Spécification	43
Avant l'utilisation de la hotte aspiran	44
Préparations pour le mont	45
Montage	46-50
Installer la hotte	46-49
Installer le filtre à charbon	50
Fonctionnement	51
Nettoyage et entretien	52-54
Filtre à graisses	52
Filtre à charbon	52
Acier inoxydable	52
Finition peinte	52
Remplacement de LED	53-54
Dépannage	55
Protection de l'environnement	56

ATTENTION



POUR RÉDUIRE LE RISQUE D'INCENDIE, DE CHOC ÉLECTRIQUE OU DE BLESSURE AUX PERSONNES, OBSERVER CE QUI SUIT:



- N'utilisez cet appareil que de façon prévue par le fabricant. Si vous avez des questions, contactez le fabricant via le contact fourni dans la notice.
- Avant d'entretenir ou de nettoyer l'appareil, débranchez ou déconnecter la hotte de l'alimentation électrique.
- Cet appareil n'est pas été conçu pour être utilisé par des enfants et les personnes ayant des capacités physiques, sensorielles ou mentales réduites, ou manquant d'expériences et de connaissances, à condition sous surveillance ou après le même ont été chargés par une personne responsable leur sécurité liée à l'utilisation sécuritaire de l'équipement et la compréhension des dangers qui lui sont inhérents.
- Les travaux d'installation et le câblage électrique doivent être effectués par une ou plusieurs personnes qualifiées conformément à tous les règlements et normes applicables, y compris la construction coupe-feu.
- Une quantité suffisante d'air est nécessaire pour une bonne combustion et l'évacuation des gaz par le conduit de fumée (cheminée) des appareils à combustible, afin d'éviter tout refoulement.
- Lors du perçage dans le mur ou le plafond, prenez garde à ne pas causer de dommages aux connexions électriques et/ou aux canalisations.
- Les conduits de ventilation doivent toujours évacuer vers l'extérieur.
- Pour évacuer l'air qui doit être éliminé respectez les réglementations des autorités compétentes locales.
- La mise à la terre de l'appareil est obligatoire.
- Lorsque les réglementations locales applicables comportent des exigences d'installation et/ou de certification plus restrictives, les exigences susmentionnées prévalent sur celles du présent document et l'installateur s'engage à s'y conformer à ses frais.
- Nettoyez fréquemment la hotte aspirante. Il ne faut pas faire accumuler la graisse sur les ventilateurs, les filtres ou dans les conduits d'évacuation.



AVERTISSEMENT: toute installation de vis et de dispositifs de fixation non conformes à ces instructions peut entraîner des risques de décharges électriques.

Sécurité

ATTENTION

POUR RÉDUIRE LE RISQUE DE BLESSURES AUX PERSONNES EN CAS D'INCENDIE DE GRAISSE DE HAUT DE CUISINIÈRE, OBSERVER CE QUI SUIT*:

1. ÉTOUFFEZ LES FLAMMES avec un couvercle bien ajusté, une plaque à biscuits ou un plateau métallique, puis éteignez la cuisinière. VEILLEZ À ÉVITER LES BLESSURES. SI LES FLAMMES NE S'ÉTEignent PAS IMMÉDIATEMENT, ÉVACUEZ ET APPELEZ LES POMPIERS.
2. NE JAMAIS PRENEZ UNE POÊLE ENFLAMME - Vous pourriez vous brûler.
3. N'UTILISEZ PAS D'EAU, y compris des torchons ou des serviettes humides - Il pourrait provoquer une violente explosion de vapeur.
4. Utilisez UNIQUEMENT un extincteur si:
 - a) Vous possédez un extincteur de classe ABC et vous savez vous en servir.
 - b) Le feu est petit et contenu dans la zone où il a commencé.
 - c) Les pompiers ont été appelés.
 - d) Vous pouvez combattre le feu en tournant le dos à une sortie.

AVERTISSEMENT

- Uniquement pour la ventilation générale. Ne pas utiliser pour évacuer des matières et vapeurs dangereuses ou explosives.
- Le moteur de votre hotte est équipé d'une surcharge thermique qui arrête automatiquement le moteur en cas de surchauffe. Le moteur redémarrera lorsqu'il aura refroidi. Si le moteur continue à s'arrêter et à redémarrer, contactez le Service Après-Vente.
- Respectez toujours les exigences du fabricant de l'appareil de cuisson en matière de besoins de ventilation.
- Afin de réduire le risque d'incendie et d'évacuer correctement l'air, veillez à canaliser l'air à l'extérieur - N'évacuez pas l'air dans des espaces situés à l'intérieur des murs ou du plafond ou dans des greniers, des vides sanitaires ou des garages.
- Portez des gants de travail et lunettes de sécurité pour toutes les opérations d'installation et d'entretien.
- Veuillez lire l'étiquette de spécification sur le produit pour de plus amples informations et exigences.

Spécification








FR

Tension	220V-240V~ 50Hz
Puissance du moteur	1 x 70W
Puissance des lampes	2 x 1 W
Dimensions de l'appareil	520*280*130mm (W x D x H)
Remarque: le fabricant se réserve le droit de modifier toute amélioration ou modification technologique sans préavis.	

Avant l'utilisation de la hotte aspirante

⚠ Avertissement: Avant de procéder au montage, contrôlez qu'il n'a pas été endommagé ou de pièces manquantes. En cas de problème, contactez notre Service Après-Vente. Respectez tous les réglementations et exigences en vigueur. Il faut installer la hotte par un technicien qualifié qui est responsable d'observer les distances d'installation spécifiés sur la plaque signalétique de série. Le fabricant décline toute responsabilité en cas d'installation incorrecte et n'accepte aucune responsabilité de la garantie de l'appareil en cas de dommages causés par un montage incorrect.

Composants:

	Part 1: 4*20mm vis	X 4
	Part 2: Mode d'emploi	X 1
	Part 3: Corps de hotte	X 1
	Part 4: sortie d'air	X 1
	Part 5: Lame brise-vent	X 1

Vous aurez besoin de ces outils pour le montage



1. Gants de protection



4. Ruban adhésif double-face ou ruban



2. Règle horizontale



5. Tournevis cruciforme



3. Mètre à ruban



6. Perceuse électrique et perceuse 8mm

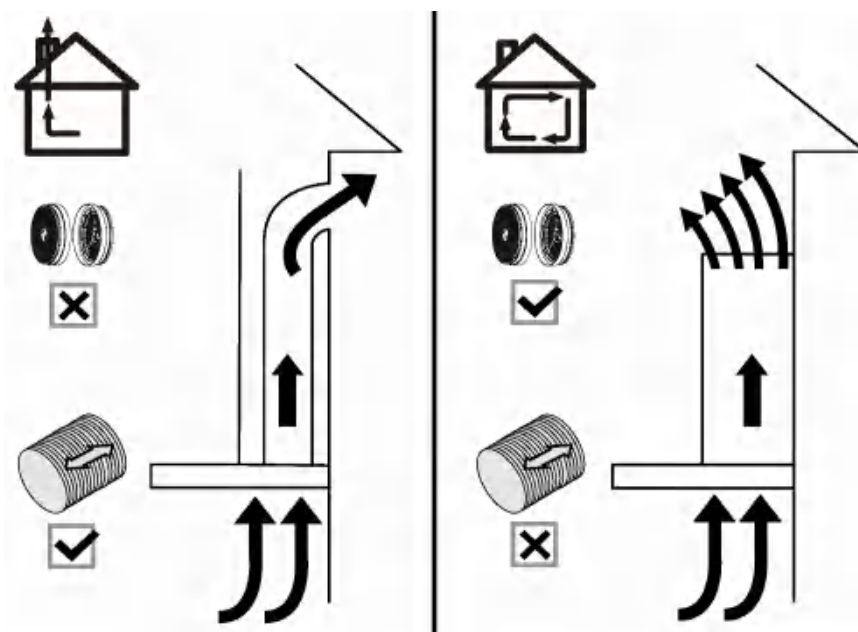
Préparations pour le montage

Préparations pour le montage:

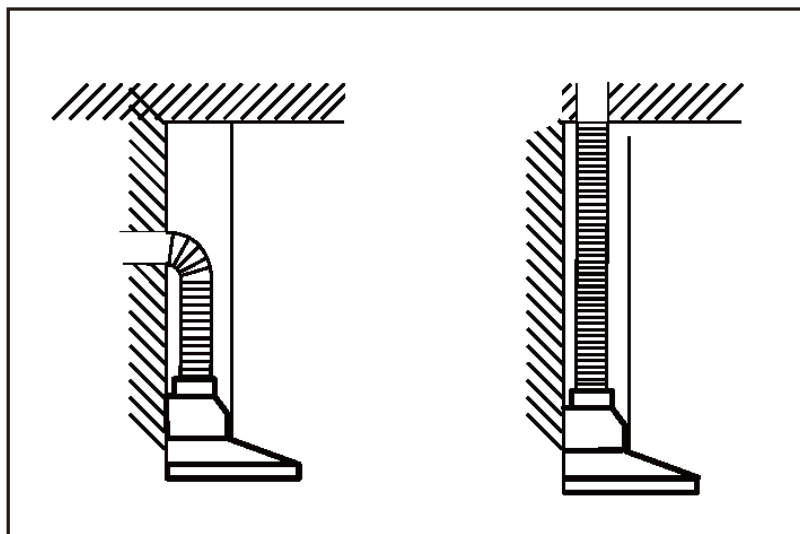
a) Mode de ventilation

Mode de recyclage: filtrer de l'air avec filtre à charbon (requis), les odeurs peuvent être éliminés et expulsé par le trou de ventilation supérieure, le tuyau d'évacuation n'est pas requis.

Mode d'extraction: Vous pouvez installer le tuyau d'évacuation en aluminium de 1,5 m de long et 120 mm de diamètre pour l'expulser.



- b) Utilisez au moins 60cm de tuyaux d'évacuation direct avant tout virage lorsque c'est possible. Plus de travaux de conduits seraient nécessaires pour de meilleures performances avec des conduits plus longs.



- c) Débrancher l'appareil de l'alimentation électrique avant de procéder à l'installation.

Montage

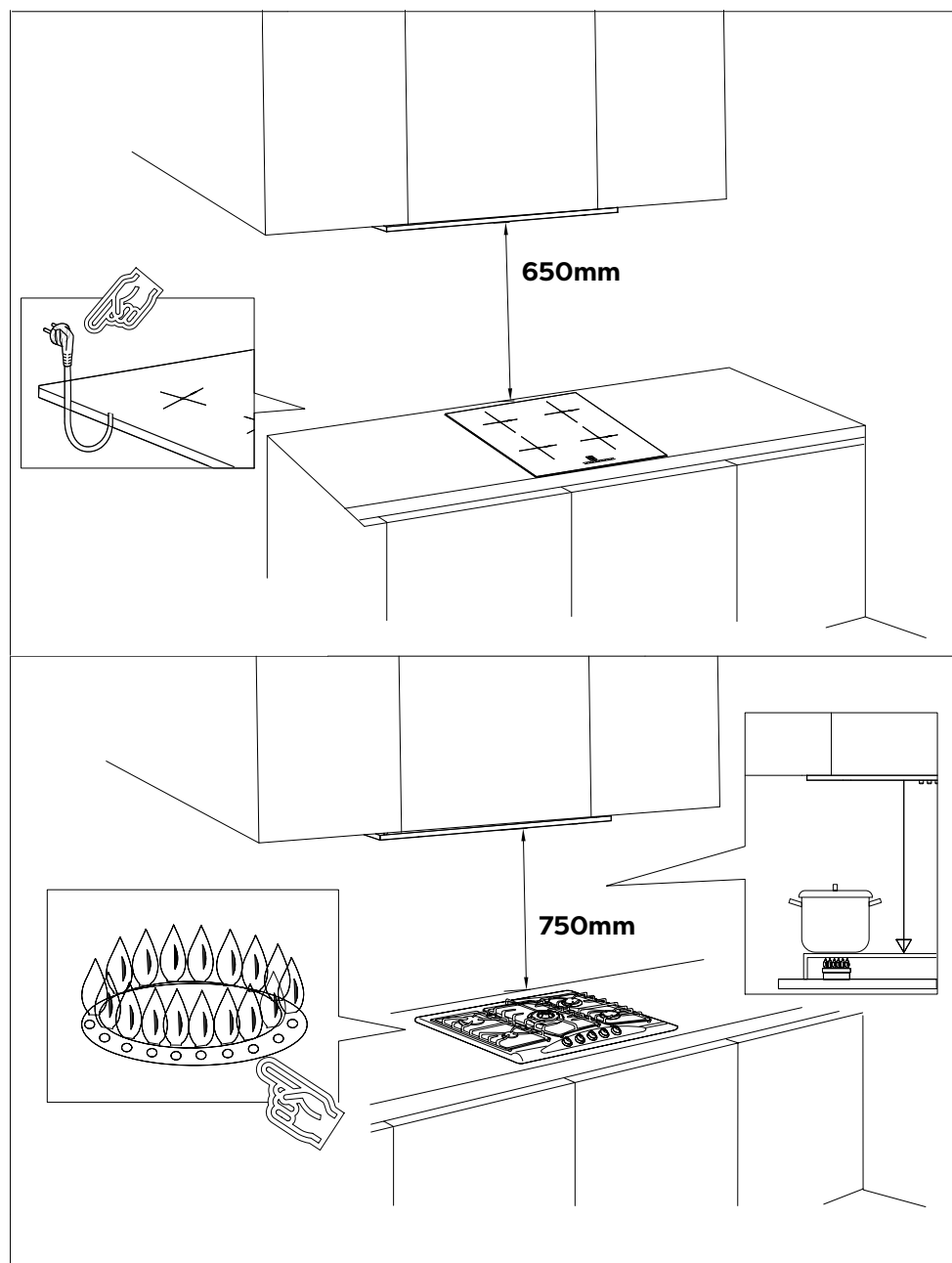


Installer la hotte (Evacuation):

- 1) Retirez le film protecteur en polyéthylène de la hotte et/ou des pièces détachées.
- 2) Hauteur d'installation proposé : 65 ~ 75 cm au-dessus de la table de cuisson pour une meilleure aspiration.

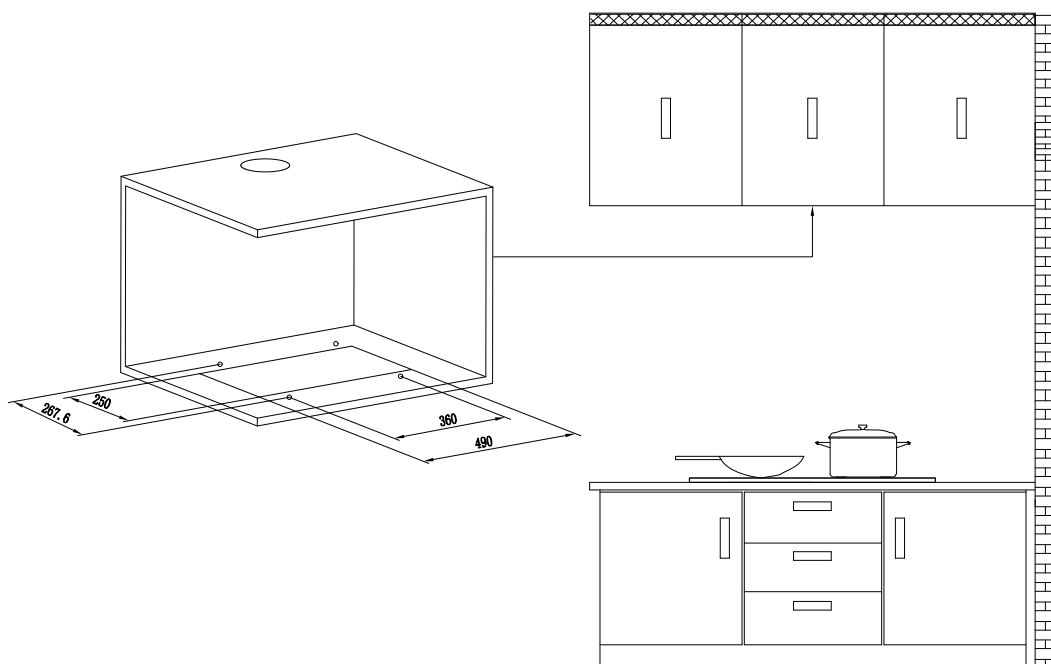
Hauteur requise au-dessus du table de cuisson à gaz : 750 mm;

Hauteur requise au-dessus du plaque de cuisson électrique : 650 mm.

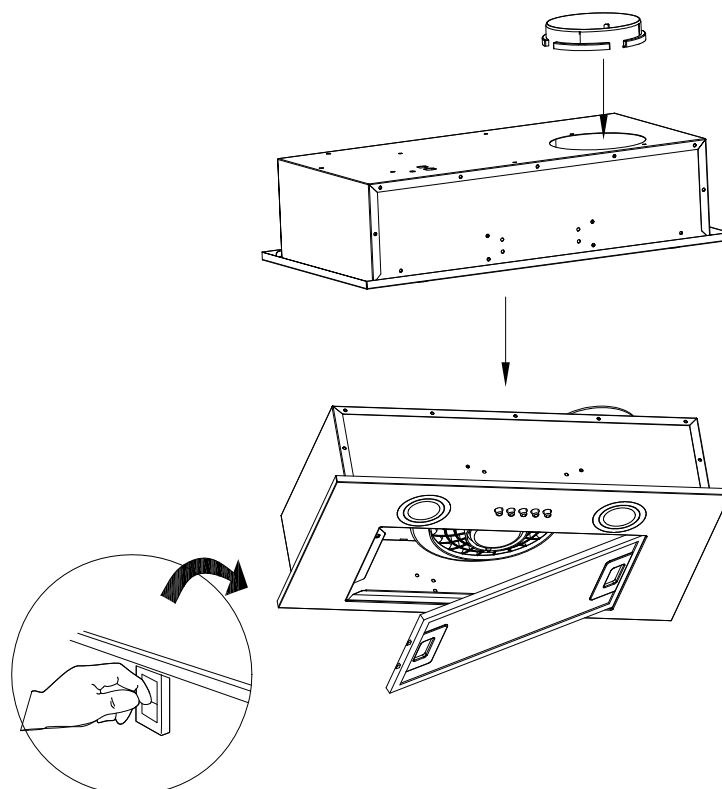


Montage

- 3) Percez un trou rectangulaire de 250*490 mm sur l'armoire à l'aide d'un outil de forage.

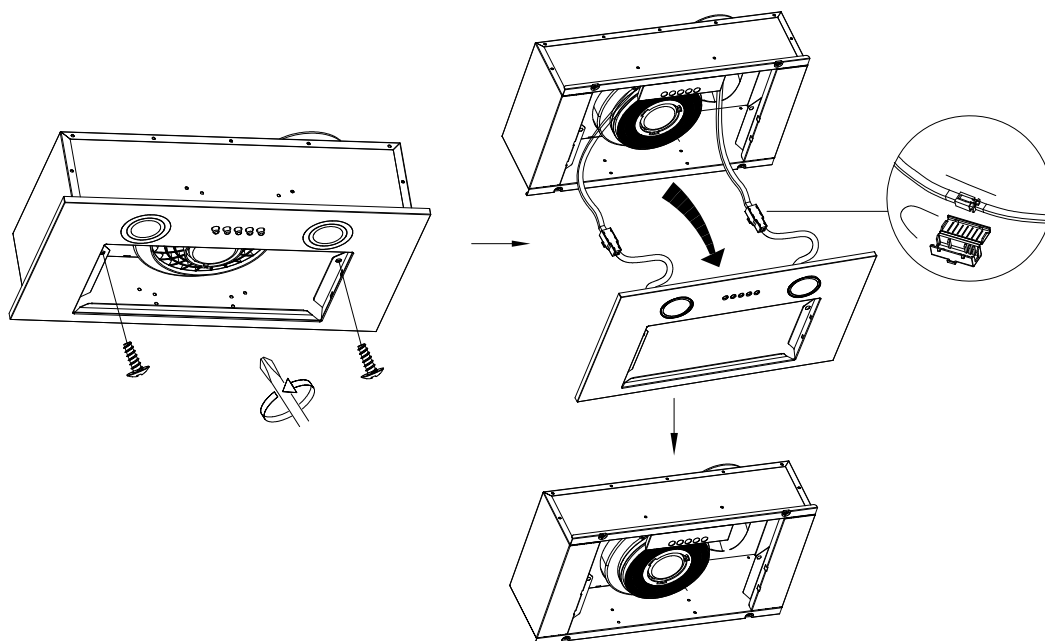


- 4) Mettez le clapet sur la hotte. Appuyez sur le verrou à droite et détachez le déflecteur, puis placez la hotte sous l'armoire.

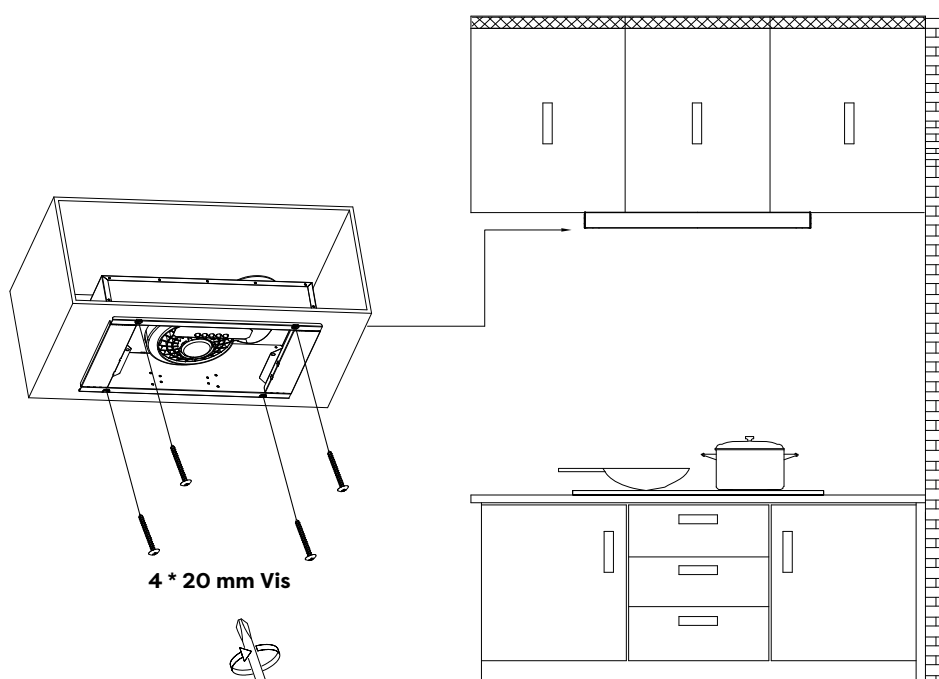


Montage

- 5) Desserrez les deux vis du panneau frontal, tirez le panneau frontal vers le bas et retirez le câble de la lampe. Ouvrez le couvercle de protection de puissance et le débranchez. Ensuite, le panneau frontal peut être démonté.

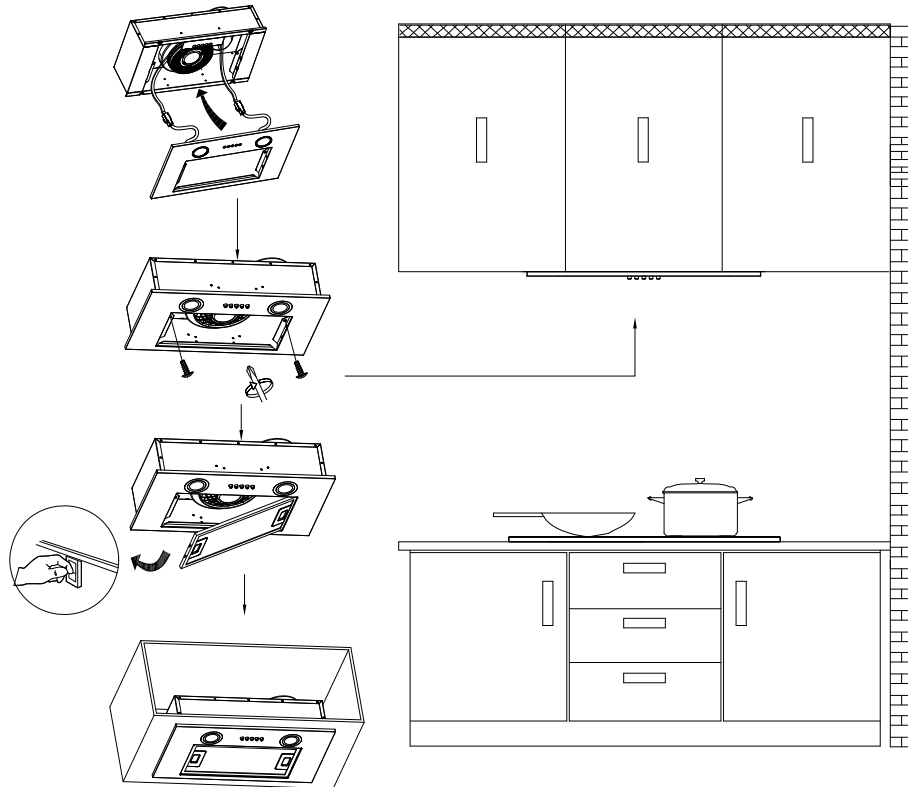


- 6) Mettez la hotte dans le trou rectangulaire de l'armoire. Utilisez les quatre vis 4 * 20 mm pour fixer la hotte dans la position correspondante marquée dans l'armoire.

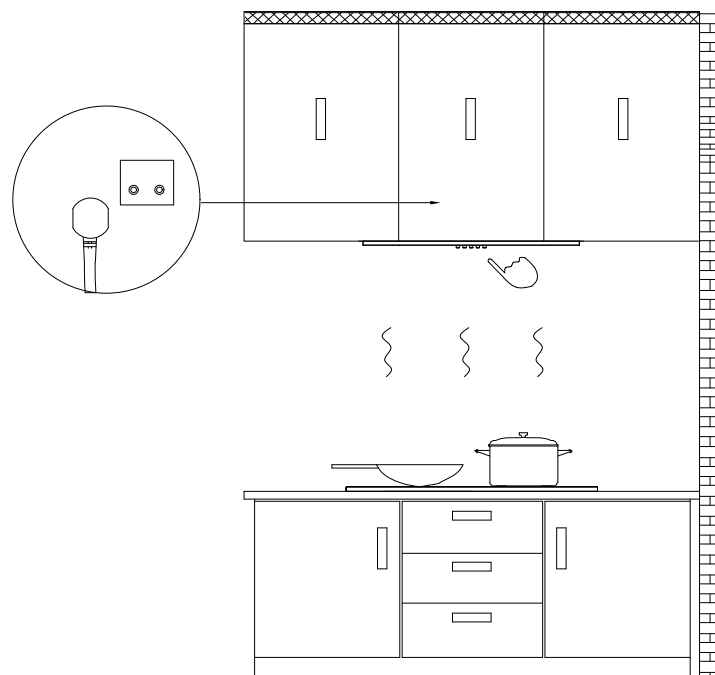


Montage

- 7) Branchez la lampe LED dans la protection de puissance et fermez le couvercle. Ensuite, remettez le panneau frontal et les vis. Puis installez le filtre à graisse en aluminium à l'arrière.



- 8) Connectez le courant et allumez/éteignez les lumières LED afin de tester si les fonctions marchent correctement.



REMARQUES:

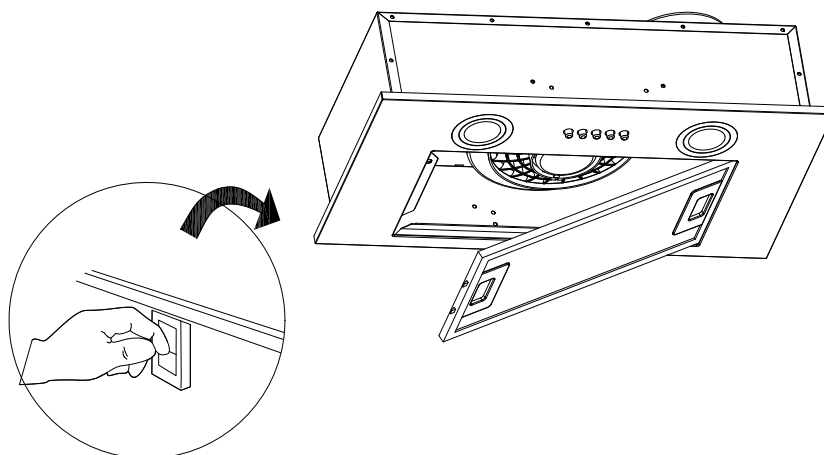
- Veillez à retirer le ruban adhésif sur le clapet et vérifiez si le clapet peut s'ouvrir et se fermer librement, sinon il fera du bruit et la hotte de cuisine tremblera.

Montage

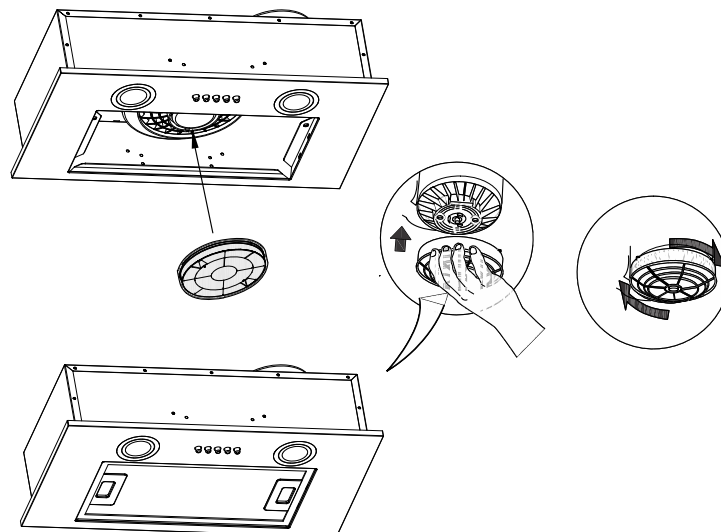


Installer le filtre à charbon (Mode Recyclage):

1. Le filtre à charbon peut désodoriser les odeurs.
Afin d'installer le filtre à charbon, le filtre à graisses doit d'abord être détaché. Poussez la languette du filtre et le tirer vers le bas.



2. Installez le filtre à charbon dans l'appareil et le tourner dans le sens horaire. Répéter la même étape dans l'autre côté.



3. En cas de remplacement du filtre à charbon, veuillez tourner dans le sens anti-horaire pour détacher le filtre.

REMARQUES:

- Assurez-vous que le filtre à charbon est bien fixé.
- Lorsque le filtre à charbon est installé, la puissance de l'aspiration de la hotte sera plus faible.
- Le filtre à charbon doit se remplacer tous les 2-4 mois selon l'utilisation.

Fonctionnement

Allumez votre hotte avant le début de la cuisson pour créer un flux d'air dans la cuisine.

Laissez-la fonctionner pendant quelques minutes pour purifier l'air après la fin de cuisson pour garder toute la cuisine propre et fraîche.

Bouton poussoir mécanique

Faire travailler la hotte comme suit:



Bouton d'arrêt

Il sert à éteindre le ventilateur.

Bouton de vitesse lente

Ventilation d'air pratiquement sans bruit, s'adapte aux méthodes de cuisson avec très peu de fumée et de vapeur.

Bouton de vitesse moyenne

Pour la cuisine quotidienne.

Bouton de vitesse rapide

S'adapte aux méthodes de cuisson à feu vif ou cuisiner avec beaucoup de fumées et de graisses générées.

Bouton de la lumière

Appuyez bouton de lumière pour allumer ou éteindre l'éclairage de la hotte.

Nettoyage et Entretien

Afin de garantir un bon état de fonctionnement, la hotte aspirante doit être nettoyé de manière appropriée. Débranchez la hotte avant de nettoyer l'appareil.

FILTRES À GRAISSES

Les filtres à graisse doivent être nettoyé de manière régulière. Vous pouvez le nettoyer au lave-vaisselle à haute température sans ajouter détergent.

FILTRE À CHARBON

Le filtre à charbon doit se remplacer tous les 2-4 mois selon l'utilisation. Assurez le remplacement plus fréquent si votre cuisson génère beaucoup de graisses, comme les sautés. Ces filtres ne sont pas lavables et réutilisables. Voir les instructions d'installation fournies au niveau du filtre à charbon.

NETTOYAGE DE L'ACIER INOXYDABLE

Oui:

- Il convient de nettoyer régulièrement avec un chiffon et de l'eau tiède additionné de produit détergent doux ou de détergent vaisselle liquide.
- Vous pouvez également utiliser un nettoyant ménager spécialisé pour l'acier inoxydable.

Non:

- Il ne faut pas utiliser les tissus d'acier ou d'acier inoxydable ou tout autre grattoir pour éliminer les saletés tenaces.
- Il ne faut pas utiliser des nettoyants agressifs ou abrasifs.
- Il ne faut pas laissez la poussière de plâtre ou tout autre résidu de construction atteindre la hotte. Couvrez la hotte pendant la construction/rénovation afin d'assurer qu'aucune poussière ne colle à la surface de l'acier inoxydable.

Éviter lors du choix d'un détergent:

- Tout détergent contenant de l'eau de Javel corrode l'acier inoxydable.
- Tout produit contenant le chlorure, le fluorure, l'iode ou le bromure détériore rapidement la surface.
- Tous les produits combustibles utilisés pour le nettoyage, tels que l'acétone, l'alcool, l'éther, le benzol, etc. sont très probablement explosifs et il est interdit de les utiliser à proximité.

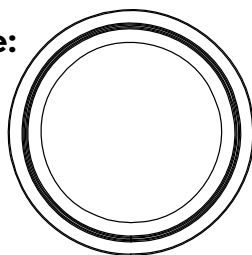
NETTOYAGE DES FINITIONS PEINTES:

Il faut les nettoyer avec de l'eau tiède et un détergent doux. En cas de décoloration, utilisez un produit de polissage de finition comme le polissage pour automobile (NE PAS utiliser un nettoyant abrasif rugueux

Nettoyage et Entretien

REPLACEMENT LED

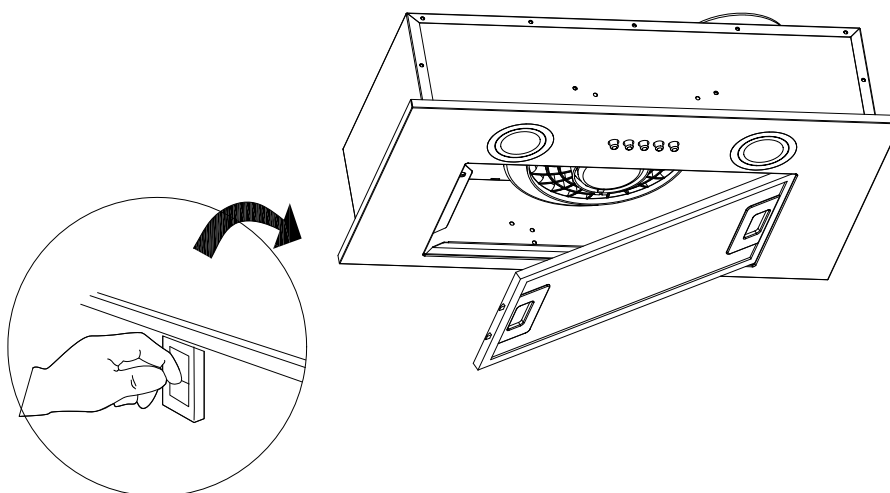
- Lampe LED rectangulaire:



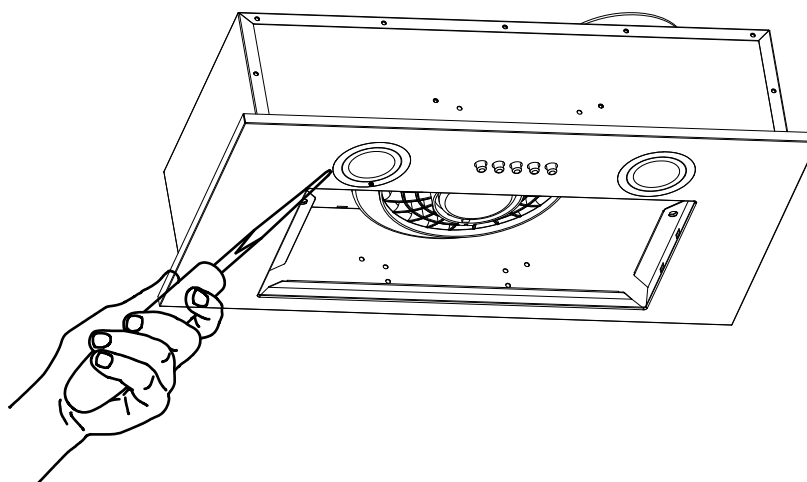
AVERTISSEMENT:

Avant de procéder au remplacement ou nettoyage des pièces détachées, la hotte doit être mise hors tension afin d'éviter les chocs électriques, les dommages au corps humain et même le danger de la vie!

1. Eteindre la hotte et débranchez la prise de courant. Détachez le filtre à graisses pour remplacer la lampe LED.

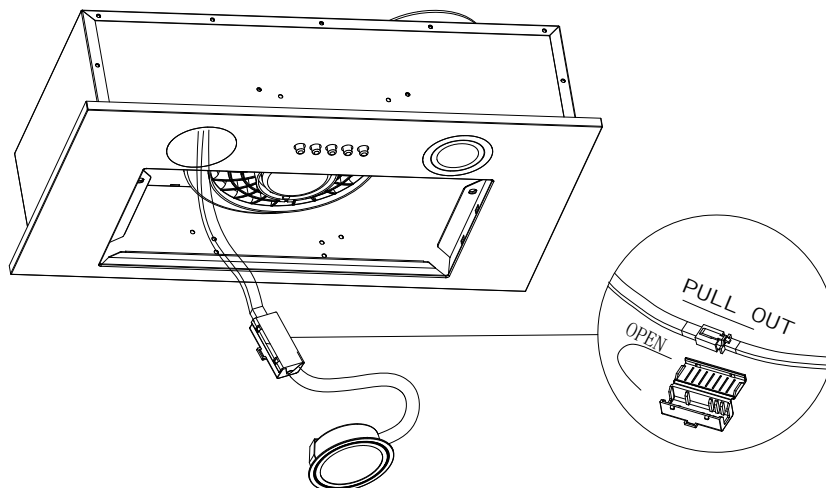


2. Poussez à la main le support de lampe LED hors de cadre métallique ou soulevez la lampe LED sur les bords à l'aide d'un tournevis à tête plate, retirez ensemble la lampe LED et le fil.

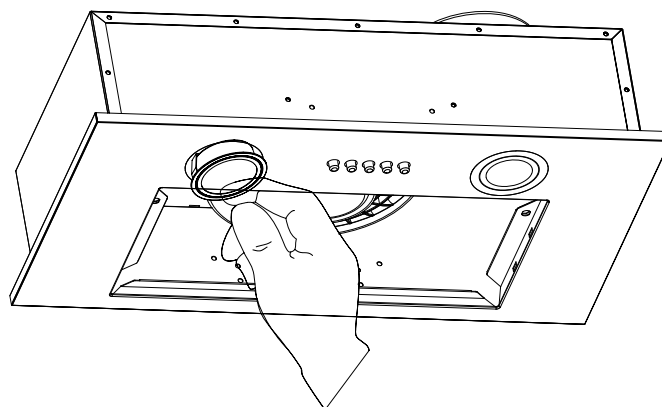


Nettoyage et Entretien

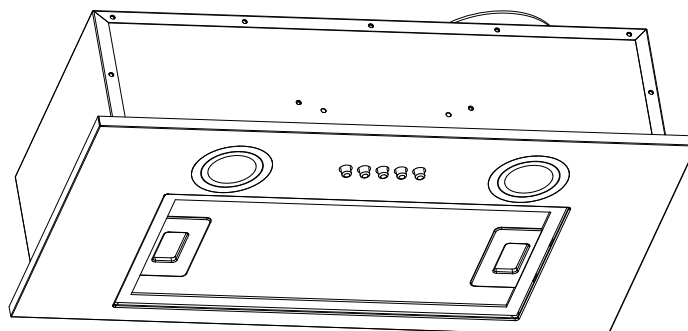
3. Ouvrez le capot de protection de l'alimentation, débranchez la prise et remplacez par le modèle correspondant de la lampe LED.



4. Mettez l'appareil en service pour tester et assurer que le ventilateur et l'éclairage fonctionnent parfaitement. Insérez doucement la nouvelle lumière LED dans la douille, il faut viser les rainures du panneau d'éclairage lors de montage. Poussez la lumière LED jusqu'à ce qu'elle est au même niveau avec le panneau lumineux.



5. Enfin, remettez le filtre à graisses.



Dépannage

Problème	Cause possible	Solution
La hotte aspirante ne s'allume pas	Pas d'alimentation électrique	Assurez-vous que la hotte est branchée dans une prise électrique. Testez la prise avec un autre appareil si elle ne fonctionne pas.
Ma hotte est peu performante	Ventilation inadéquate	Assurez-vous que la cuisine est suffisamment ventilée pour permettre l'entrée d'air frais.
	La hotte et la table de cuisson sont trop éloignées l'une de l'autre.	La distance optimale est de 65 à 75 cm au-dessus de la table de cuisson pour une meilleure extraction.
	Vérifiez et assurez-vous que le ruban adhésif qui maintient les volets du clapet au niveau du trou d'aération est retiré avant l'utilisation.	Retirez le ruban adhésif qui maintient le clapet
	Filtres à graisse obstrués par l'accumulation de graisse	Nettoyez les filtres à graisse ou remplacez-les.
	Filtres à charbon bouchés par l'accumulation de graisses	Remplacer les nouveaux filtres à charbon
	Le moteur tourne mais pas d'extraction	Veillez contacter le service clientèle du CIARRA
Ma hotte est bruyante	Vérifiez l'intérieur de la hotte pour voir s'il y a des débris détachés et retirez-les.	Veillez contacter le service clientèle du CIARRA
	Si le bruit provient du moteur, veuillez contacter notre service d'assistance à la clientèle.	
Les lumières ne fonctionnent pas	La lumière est endommagée	Remplacez la lampe par une lampe LED neuve ; retirez les filtres à graisse, passez la main à l'intérieur derrière le panneau de commande et localisez le fil avec le clip derrière le boîtier de la lampe.
	La borne du fil d'éclairage est desserrée	Réinitialiser la connexion

Si le problème existe encore après les vérifications ci-dessus, n'hésitez pas à contacter le service à la clientèle CIARRA pour obtenir les aides et les soutiens.

Protection de l'environnement

Il ne faut pas mélanger les déchets de produits électriques avec les ordures ménagères, et il doit faire l'objet d'une collecte spécifique à ce type de déchets. Contactez les autorités locales ou votre détaillant pour obtenir plus d'informations sur le recyclage.



Cet appareil est certifié conforme à la Directive européenne 2012/19/UE relative aux déchets d'équipements électriques et électroniques (DEEE).

En procédant correctement à la mise au rebut de cet appareil, vous contribuerez à prévenir des effets nuisibles à l'environnement et à la santé, qui pourraient autrement être causés par une mise au rebut inadéquate de ce produit.

Le symbole figurant sur le produit et sur la documentation qui l'accompagne indique que cet appareil ne doit être traité comme déchet ménager mais doit être remis à un centre de collecte spécialisé dans le recyclage des équipements électriques et électroniques.

La mise en rebut de ce produit doit être effectuée conformément aux réglementations environnementales locales en matière d'élimination des déchets.

Pour toute information supplémentaire sur le traitement et le recyclage des appareils électroménagers, contactez le service local compétent, le service de collecte des déchets ménagers ou le magasin où vous avez acheté l'appareil.



Make life easier

Caro cliente:

Congratulazioni per l'acquisto di questo dispositivo. Per un funzionamento corretto e sicuro dell'apparecchio, leggere attentamente questo manuale di istruzioni prima dell'installazione e dell'uso.

In caso di domande:

E-mail: info@ciarraappliances.com

Scansiona questo codice QR per avere il manuale multilingue:



Scansiona questo codice QR per ottenere il video di installazione:





Estimado cliente:

Gracias por su compra en CIARRA. Por favor, antes de comenzar a instalar y poner en función el producto, lea el manual bien.

Si tiene algún problema, no dude en ponerse en contacto con nosotros:

Correo electrónico: info@ciarraappliances.com

Escanee este código QR para obtener el manual en múltiples idiomas:



Escanee este código QR para obtener el video de instalación:





Make life easier

Geachte klant:

Hartelijk dank voor uw aankoop, lees deze handleiding aandachtig door voor installatie en gebruik.

Als u vragen heeft, neem dan contact met ons op via:

E-mail: info@ciarraappliances.com

Scan deze QR-code om meertalige handleiding te krijgen:



Scan deze QR-code om een installatievideo te krijgen:





Kära kund:

Tack så mycket för ditt köp, läs denna bruksanvisning noggrant innan installation och användning.

Om du har några frågor, vänligen kontakta oss på:

E-post: info@ciarraappliances.com

Skanna den här QR-koden för att få flerspråkig manual:



Skanna den här QR-koden för att få installationsvideo:





Make life easier

Drogi kliencie:

Dziękujemy bardzo za zakup, proszę uważnie przeczytać tę instrukcję obsługi przed instalacją i użytkowaniem.

W razie jakichkolwiek pytań prosimy o kontakt pod adresem:

E-mail: info@ciarraappliances.com

Zeskanuj ten kod QR, aby uzyskać instrukcję w wielu językach:



Zeskanuj ten kod QR, aby uzyskać film instalacyjny:



