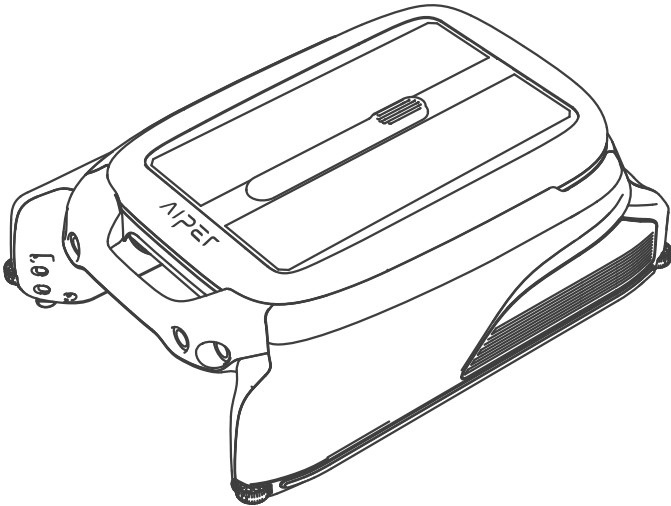


AIPER®

— bring vacation home —

ROBOTIC POOL SKIMMER User Manual

Aiper Surfer S1/M1



CONTENTS

English -----	1-22
Français -----	23-43
Español-----	44-64

FCC Statement

This device complies with Part 15 of the FCC Rules. Operation is subject to the following two conditions: (1) This device may not cause harmful interference, and (2) this device must accept any interference received, including interference that may cause undesired operation.

Warning: Changes or modifications not expressly approved by the party responsible for compliance could void the user's authority to operate the equipment.

Note: This equipment has been tested and found to comply with the limits for a Class B digital device, pursuant to Part 15 of the FCC Rules. These limits are designed to provide reasonable protection against harmful interference in a residential installation.

This equipment generates, uses, and can radiate radio frequency energy and, if not installed and used in accordance with the instructions, may cause harmful interference to radio communications. However, there is no guarantee that interference will not occur in a particular installation. If this equipment does cause harmful interference to radio or television reception, which can be determined by turning the equipment off and on, the user is encouraged to try to correct the interference by one or more of the following measures:

- (1) Reorient or relocate the receiving antenna.
- (2) Increase the separation between the equipment and receiver.
- (3) Connect the equipment into an outlet on a circuit different from that to which the receiver is connected.
- (4) Consult the dealer or an experienced radio / TV technician for help.

Radiation Exposure Statement:

1. This equipment complies with FCC radiation exposure limits set forth for an uncontrolled environment.
2. This equipment should be installed and operated with minimum distance 20cm between the radiator & your body.

IC Statement

This device complies with Industry Canada license - ICES-003. Operation is subject to the following two conditions: (1) This device may not cause interference, and (2) This device must accept any interference, including interference that may cause undesired operation of the device.

Le présent appareil est conforme aux CNR d'Industrie Canada applicables aux appareils radio exempts de licence. L'exploitation est autorisée aux deux conditions suivantes : (1) l'appareil ne doit pas produire de brouillage, et (2) l'utilisateur de l'appareil doit accepter tout brouillage radioélectrique subi, même si le brouillage est susceptible d'en compromettre le fonctionnement.

Radiation Exposure Statement:

1. This equipment complies with IC radiation exposure limits set forth for an uncontrolled environment.
2. This equipment should be installed and operated with minimum distance 20cm between the radiator & your body.

Importer: Aiper Intelligent, LLC.
Address: 13851 Ramona Ave, Chino, CA 91710, USA.
US Toll-Free: 1-866-850-0666
AU Toll-Free: +61(180)049-7023

Thank you for choosing Aiper.

You' ve now joined a family of millions who have already put their trust in Aiper to take care of their pools and are enjoying the convenience of a pristinely clean pool.

This user manual will help you maintain your Aiper Pool Skimmer and ensure it performs at its maximum efficiency for years to come. Please take a few minutes to read through this manual.

If you have any questions, please visit our website at www.aiper.com and contact our customer service team for assistance or more information.

Aiper Customer Service:

US Toll-Free: 1-866-850-0666

AU Toll-Free: +61(180)049-7023

Email: service@aiper.com

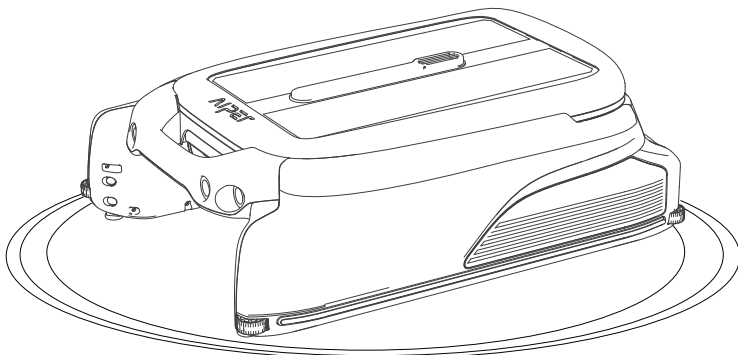
Facebook: @AiperOfficial



Scan for
Video Guide



Scan the QR
Code to Access
Customer Support



English

CONTENTS

Important Safety Precautions ----- 4

1. Structure ----- 6

2. Specifications & Working Conditions ----- 8

3. Operations ----- 9

4. App and Network Configuration ----- 12

5. Operating Instructions----- 15

6. Maintenance & Storage ----- 17

7. Troubleshooting Solutions ----- 21

8. Packing List----- 22

9. Warranty ----- 22

Important Safety Precautions

Please read this manual carefully and use your Aiper device in accordance with the manual instructions. Aiper is not liable for any losses or injuries caused by improper use of this device.

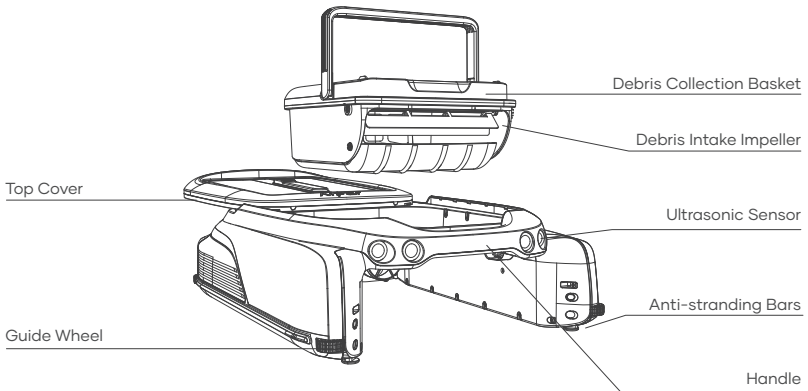
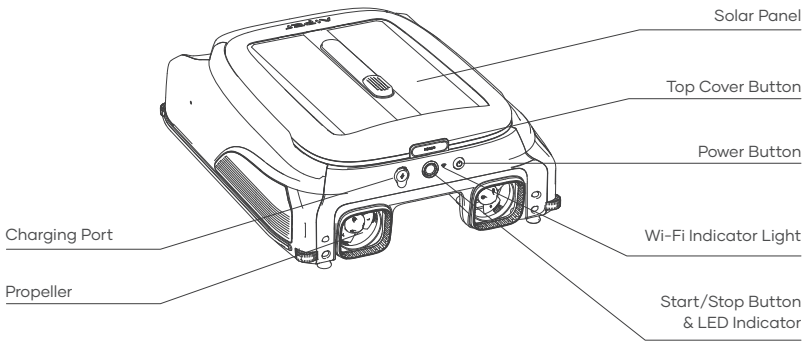
For your safety and optimal performance of this device, please read and follow the following suggestions.

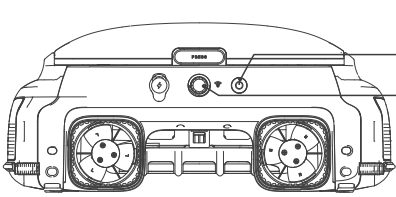
1. Do not operate your Aiper device while people or animals are in the pool.
2. Turn the device off while not in use or while performing maintenance.
3. Do not allow children to ride the device under any circumstances. Please supervise children when they are around an operational Aiper.
4. Use only authorized Aiper power adapters.
5. The adapter cord should only be replaced by a qualified electrician or Aiper Customer Care.
6. It's suggested to plug the power adapter into a power strip or surge protector and not directly into an electrical outlet.
7. Ensure your device is powered off and the charging port is dry before via adapter charging. While charging, your Aiper should be kept in a cool, well-ventilated area. Do not cover your Aiper while charging, as this may cause components to overheat.
8. Please store the machine indoors or in a cool place when not in use.
9. Do not run your Aiper out of the water as it may lead to over-heating.
10. Only certified professionals should disassemble the sealed driving kit of your Aiper.
11. Do not operate the device and pool filter simultaneously.
12. Watch your steps and maintain balance when working near the poolside.

13. Do not drop, pierce the shell, or intentionally damage the device in any way, as this may void your warranty.
14. When putting your device into the water, the front of the machine must face upwards and should never be placed upside down or thrown into the swimming pool.
15. Do not charge the device while the charging port is wet.
16. Do not use your Aiper device and another pool skimmer simultaneously.
17. Do not wash the solar panel using a pressure washer as this may damage the panel.
18. When the device is running, do not put your hands into any part of the device as this may result in injury.

Please read this user manual carefully before operating the device.

1. Structure





- Power Button:**
Press and hold the Power Button for 2 seconds to turn on/off the device.
- Start/Stop Button & LED Indicator:**
Press Once: Start/Stop Cleaning
Press and hold the Power Button for 10 seconds to restore factory settings

LED Indicator:

Status	LED Indicator	Meaning
Working	Solid Blue Light	The device is operating normally and charging through the solar panel.
	Blue Light Flashing Slowly	The device is operating normally but not charging through the solar panel.
	Solid Yellow Lights	Low battery. The device is operating intermittently and is charging via the solar panel.
	Yellow Light Flashing Slowly	Low battery. The device is operating intermittently but is not charging via the solar panel.
	Flashing Red Light	A fault has occurred (see the Troubleshooting Solutions for details).
	Light Off	Powered off.
Adapter Charging	Solid Blue Light	The battery is fully charged.
	Pulsing Blue Light	Charging in progress, battery level above 30%.
	Pulsing Yellow Light	Charging in progress, battery level below 30%.
	Pulsing Red Light	Charging in progress. The battery level is too low for the device to operate.

Wi-Fi Indicator Light:

Wi-Fi Light Status	Meaning
Flashing Blue Light	Starting network configuration / network configuration in progress.
Solid BLue Light	Network connected.
Off	Network not connected.

2. Specifications & Working Conditions

1. Pool Size: This device works in most household pools, with exception to infinity pools and pools made of glass.
2. Charger Input: 100-240V,50/60Hz,1A
3. Charger Output: 12.6V/1.8A
4. Charging Time: 4 Hours
5. Battery Life: Up to 10 Hours
6. IP Grade: IPX7 Waterproof
7. Battery Pack: 4000mAh
8. Wather Depth: Above 7 Inches
9. Frequency Range: 2412~2484 MHZ
10. Maximum Radio Frequency Emission Power: 20.5dBm

CAUTION:

Your Aiper Pool Skimmer is best used in the water conditions detailed below.

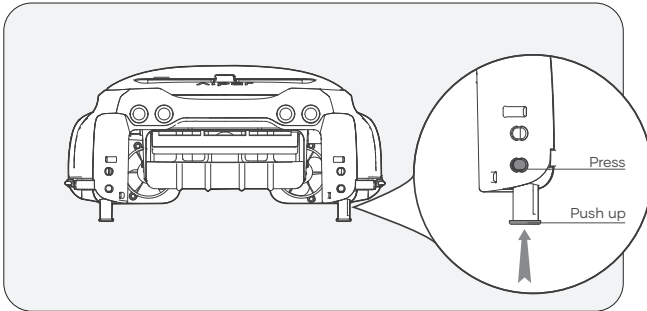
- Temperature: 50-95°F (10-35°C)
- pH Value: 7.0-7.4
- Chlorine: Maximum 4 ppm
- NaCl: Maximum 6500 ppm

3. Operations

A. Using the Anti-stranding Bars

- When to use: If there are shallow stairs or other structures in your pool, the skimmer may become stuck on these obstacles. You can adjust the built-in anti-stranding bars to prevent this.
- How to Use: Press the upper button on the bar housing and pull down the bars. Adjust them in pairs - both front and/or both rear to keep the device balanced. To return the bars to their housing, press the associated button and press up on the bars until they lock into place.

Large picture of anti-grounding bar



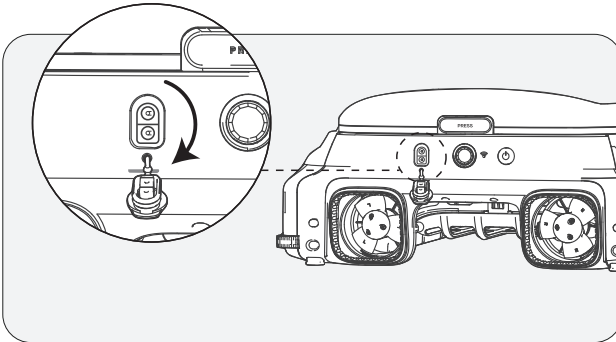
B. Charging

There are two charging methods available:

- 1) Solar Charging: After turning on the device, place it in sunlight and the device will automatically charge.
- 2) Charging by adaptor: Without sufficient sunlight, your devices solar panel may not be efficient for charging. Charging port on device allows you to always be in control of your clean and gives you an alternative charging method.

Notes:

- If the device does not power on when pressing and holding the Power Button for 2 seconds upon first use, please charge it with the DC Adapter first.
- DC Adapter charging: The device will automatically turn on while using this method and will be turned off while unplug the adapter.
- Once fully charged or before use, disconnect the power adapter and close the charging port cover to prevent water from entering the device.

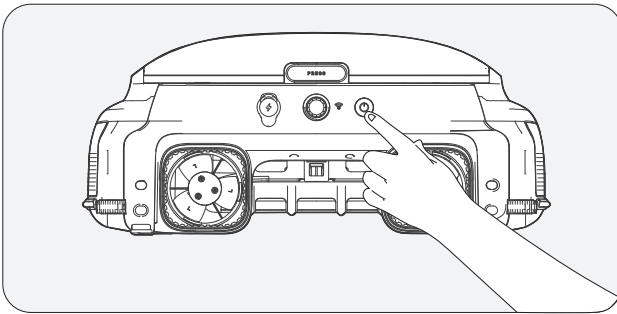


C. On/Off

- Power On: Press and hold the Power Button for 2 seconds.
- Power Off: Press and hold the Power Button for 2 seconds.
- When On: When in adequate sunlight, the solar panel will charge the device and the device will enter Standby Mode.
- Turning Off the Device: Will disconnect the device from the network and the solar panel will cease charging your device.

⚠ Please place the machine on a level surface before powering on

- The LED light will flash quickly upon startup. Wait until the LED light stays on steadily before submerging the machine in water.



4. App and Network Configuration

- To remotely view and control your device using the Aiper App, please ensure the device in range with sufficient network coverage, otherwise remote access may be unavailable.
- App control is optional and requires network configuration for access. Device can be operated for pool cleaning without app connectivity.

A. Download the Aiper App

Download or update the "Aiper" app from the App Store or Google Play Store.

B. Network Configuration

- 1) The Aiper App is compatible with the following smart devices:
 - Apple (iOS) Version 12 and up – iPhone, iPad.
 - Android Version 8.0 and up operating systems.
- 2) Ensure that your smart device (phone/tablet) has been connected to your home/pool Wi-Fi network.
- 3) Ensure your smart device (phone/tablet) Bluetooth has been enabled.
- 4) Ensure your router supports 2.4Ghz Wi-Fi frequency.
- 5) Keep your phone close to the machine (within 20 feet) for better connection with device.

C. Create an Account

- 1) When using the Aiper App for the first time, tap the "Sign In" button on the login page to create an account.
- 2) Select your region, enter your email, and tap "Continue" to proceed.
- 3) Follow the page prompts to enter the verification code in the email and set your account password.
- 4) Tap "Confirm" and agree to the User Agreement and Privacy Agreement to complete account creation.

D. Log in to the App

- 1) Tap the "Log in" button on the home page to log in to your account.
- 2) Enter your email and password, and then tap "Log in" to log in to the Aiper app.

E. Add Device/ Configure Network

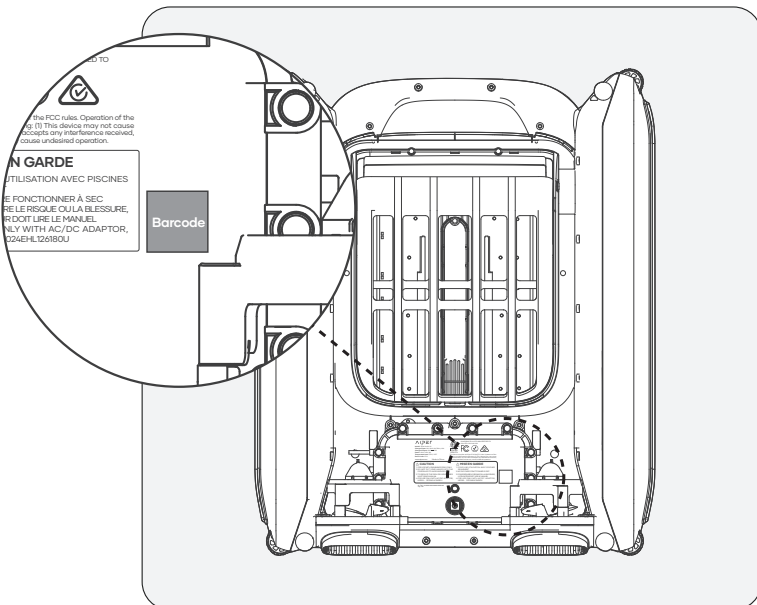
Choose any of the following network configuration methods:

1) Adding via Bluetooth

- Tap the "Add" button in the device list to add and link the device and start network configuration.
- Follow the app prompts to complete Bluetooth pairing, and then start network configuration.

2) Adding via Code

- If your phone cannot detect the Bluetooth signal of the device and you fail to add the device via Bluetooth, you can add its Wi-Fi by scanning its barcode.



- Tap "Add via Code" to start configuring your device to the network via the code.
- Follow the prompts to scan the barcode on the device.
- Tap "Set Now" and connect to the device's Wi-Fi in the system settings following the app prompts.
- After successful connection, tap Next to start network configuration.

3) Manual Configuration

- Manual Configuration must be completed within 10 minutes of device startup. Otherwise the system will need to be restarted.
- If you fail to add the device via the QR code, you can manually select the device type to add the device's Wi-Fi.
- Tap to select the device type.
- Select the corresponding device model and tap 'Add'.
- Tap "Set Now" and connect to the device's Wi-Fi in the system settings following the app prompts.
- Follow the prompts to complete Bluetooth pairing, and then start network configuration.

App Troubleshooting

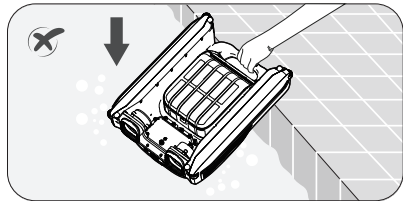
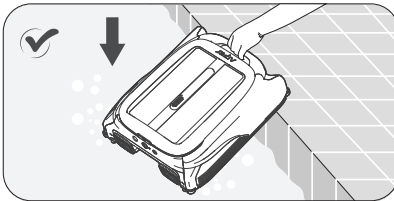
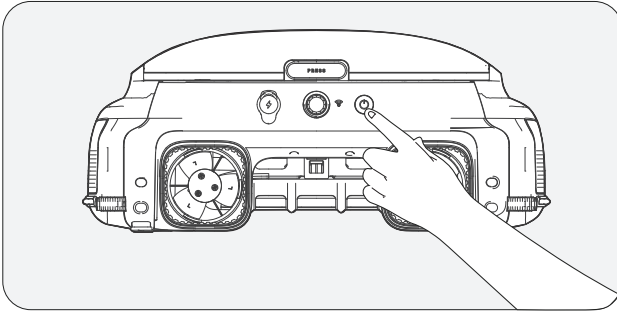
"Device not found"	The APP cannot establish connection with the device.	<ul style="list-style-type: none"> - Ensure the device is turned on. - Ensure the connection is not pending. If the LED indicator is flashing, reset the devices Wi-Fi. - The device is too far away from your router. Adjust your router's position or install a Wi-Fi extender at home to ensure Wi-Fi coverage for the device.
"Network configuration failed"	<ul style="list-style-type: none"> - Incorrect Wi-Fi password. - Wi-Fi is 5GHz. - Wi-Fi network signal is too weak. 	<ul style="list-style-type: none"> - The device is too far away from your router. Adjust your router's position or install a Wi-Fi extender at home to ensure Wi-Fi coverage for the device.

5. Operating Instructions

A. Automatic Cleaning Mode

When the device is on, press the Start/Stop button once on the device or in the app to Start/Stop automatic cleaning mode. In the Automatic Cleaning mode, the device operates automatically and will be charged by the solar panel on sunny days.

- By default, the device operates in the automatic cleaning mode.



To remove the device from the water, you can use the Aiper App to manually pilot the device to the edge of your pool for pickup or wait until the device reaches the edge of the pool and lift it out by the handle.

C. Remote Mode (only supports operation within the Aiper App)

You can use the Remote Mode in the Aiper App to manually pilot the device to move forward, backward, left, and right. If, in Remote Mode, the device idles for three minutes, it will revert to its previous mode.

D. Intermittent Mode

When the battery level is low, the LED Indicator will turn yellow. The device will operate intermittently and continue working once the battery level recovers.

- **Important Information About Intermittent Mode:** If sunlight is weak and the solar charging rate falls below the device's power usage rate, it will automatically shut down due to insufficient power. However, there's no need for manual intervention.

The device will recharge itself using the solar panel once the sun is out again the next day and will resume operation automatically.

E. Detect Water Temperature (only available in the Aiper App)

When the device is connected to your smart device, users may access their pools water temperature within the App.

F. Restore Factory Settings

To restore factory settings, press and hold the Power button for 10 seconds. This action will clear all data from the device, including network configurations and cleaning records.

6. Maintenance & Storage

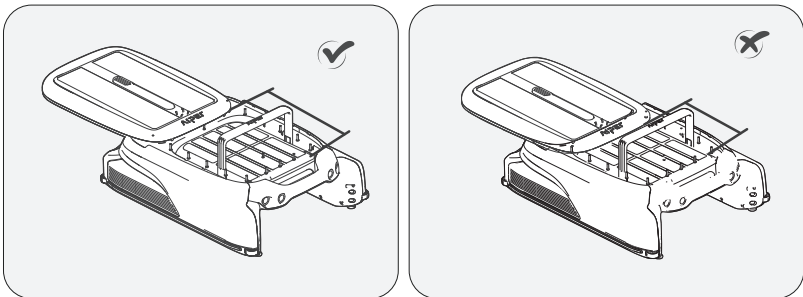
Clean out the debris collection basket every 2-3 days to keep the device running at high efficiency.

A. Cleaning the Debris Collection Basket

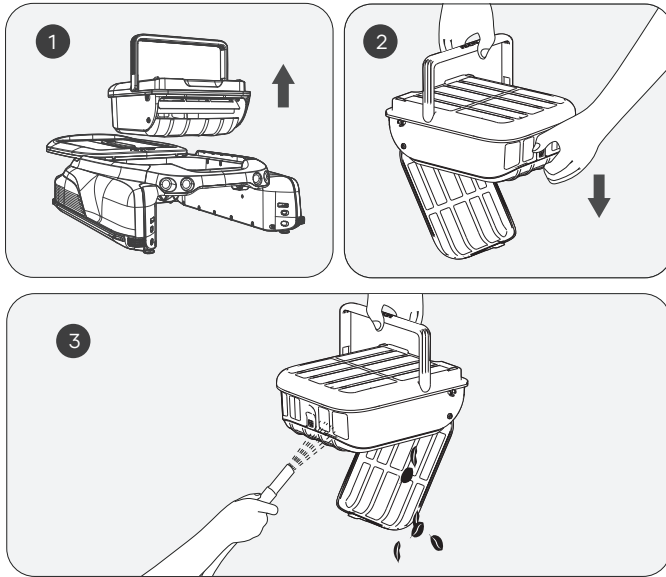
1) Grasp the handle of the device to lift it out of the pool, placing it on a flat surface.

Hold the device's handle with one hand (to prevent injury during operation), press the button on the solar panel cover with the other hand, and push the solar panel cover back.

- Pull the cover to the back end, otherwise it will affect the removal of the debris bin.
- The handle of the debris collection basket will pop up automatically. Please do not bring your head too close to avoid being hit by the pop-up handle.



2) Lift the handle of the debris collection basket to remove it from the device. Empty the bin and use a high-pressure water gun or hose to rinse the debris collection basket until completely clean.



3) Put the debris collection basket back into the device and push the top cover back to its original position. Ensure the cover is pushed into place to prevent it from slipping when lifting.

Please note that the handle on the cover of the debris collection basket will automatically return to its original position with the top cover in place.

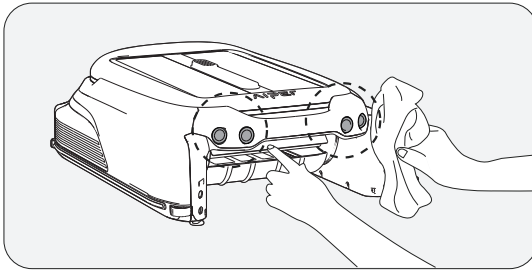
B. Cleaning the Solar Panel

You may see some white residue on the solar panel, which are chemicals and minerals from your pools water. Rinse the residue on the solar panel with clean water and wipe it clean with a soft, dry cloth.

WARNING: Do not use a high-pressure washer or any tool to scrape the solar panel as this may damage the device and void your warranty.

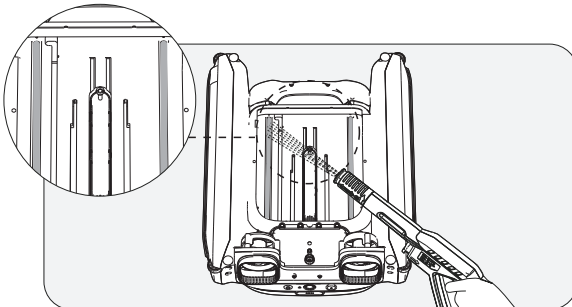
C. Cleaning the Ultrasonic Sensor

Please use a soft, dry cloth to clean the ultrasonic sensor to prevent it from being obstructed by dirt.



D. Cleaning the Slide Rails

When the top cover is hard to slide, there might be dirt or debris in the slide rail. Please flip the device over carefully and rinse the slide rail with a high-pressure water gun.



E. Storing Your Device

When winter comes or when the skimmer has not been used for more than a month, you can use the following methods to storing your device:

- 1). Ensure the device is not in low battery mode (LED Indicator shows a solid blue light).
- 2). Press and hold the Power Button for 2 seconds to turn it off.
- 3). Clean the device with a dry cloth.
- 4). Store in a cool, dry, indoor area away from high temperatures.
- 5). Fully charge the device before next use.
- 6). In order to better extend the life of the machine, you can use the DC Adapter to charge the machine once every 2 month.

7. Troubleshooting Solutions

Note: The solar panel can only operate to charge the device when the device is turned on.

When the device malfunctions, a red LED indicator light on the device will flash with the buzzer alarming, and the app will display the fault. You can attempt to troubleshoot the fault following the instructions in the FAQ or the prompts in the Aiper App or contact after-sales service.

8. Packing List

NO.	Name	Model	QTY(pc)
1	Skimmer	Aiper Surfer S1/M1	1
2	Charger	/	1
3	User Manual	/	1
4	Debris Collection Basket	/	1

9. Warranty

This product has passed quality control and safety test conducted by our technicians.

1. This product comes with a 24-month warranty that covers your item's battery and motor from the date of purchase.
2. This warranty is voided if the product has been altered, misused, or has been repaired by unauthorized persons.
3. This warranty extends only to manufacturing defects and does not cover damage resulting from the mishandling of the product by the owner.
4. The order number or record of purchase must be presented at the request of any repair claim during the warranty period.



This symbol indicates that this product shall not be treated as household waste. Instead it shall be handed over to the applicable collection point for the recycling of electrical and electronic equipment.

Merci d'avoir choisi Aiper.

Vous venez de rejoindre une grande famille de millions d'utilisateurs qui font déjà confiance à Aiper pour prendre soin de leurs piscines et qui profitent du confort d'une eau toujours impeccable.

Ce manuel d'utilisation vous aidera à entretenir votre robot nettoyeur de piscine Aiper et à vous assurer qu'il fonctionne avec une efficacité optimale pendant des années. Veuillez prendre quelques minutes pour lire ce manuel.

Si vous avez la moindre question, rendez-vous sur notre site Web www.aiper.com et contactez l'équipe de notre service client pour obtenir de l'aide ou plus d'informations

Service client Aiper :

US Numéro vert: 1-866-850-0666

AU Numéro vert: +61(180)049-7023

Email: service@aiper.com

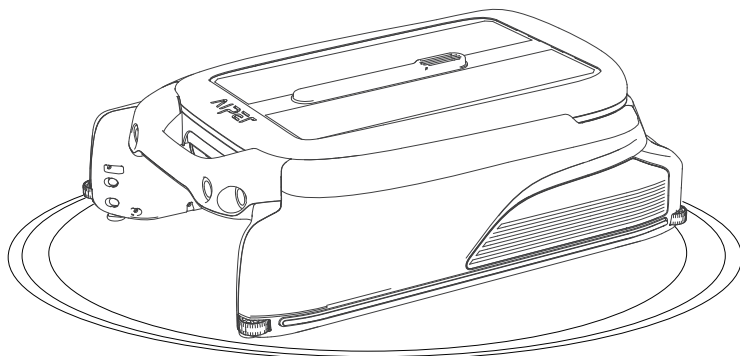
Facebook: @AiperOfficial



Scannez pour accéder au guide vidéo



Scannez le code QR pour obtenir du support client.



Français

SOMMAIRE

Mesures de sécurité importantes ----- 25

1. Structure ----- 27

2. Caractéristiques et conditions de
fonctionnement ----- 29

3. Fonctionnement ----- 30

4. Configuration de l'application et du réseau 33

5. Instructions d'utilisation ----- 36

6. Maintenance et stockage ----- 38

7. Solutions de dépannage ----- 42

8. Contenu de l'emballage ----- 43

9. Garantie ----- 43

Mesures de sécurité importantes

Veuillez lire attentivement ce manuel et utiliser votre appareil Aiper en suivant ses instructions. La société Aiper ne sera pas tenue pour responsable en cas de pertes ou de blessures causées par une utilisation inappropriée de cet appareil.

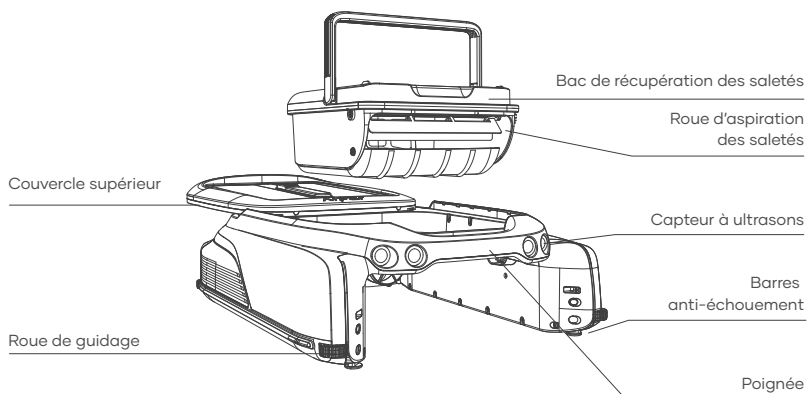
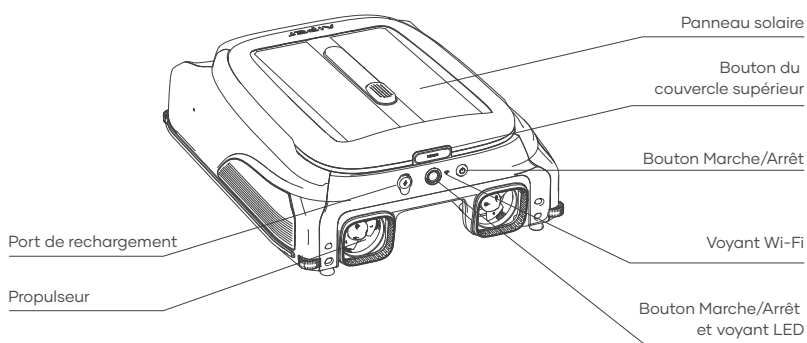
Pour votre sécurité et pour obtenir des performances optimales de cet appareil, veuillez lire et suivre les consignes suivantes.

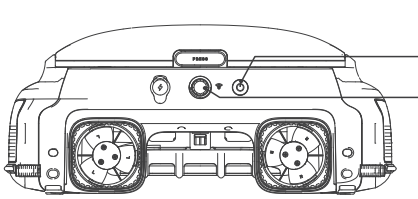
1. Ne faites pas fonctionner votre appareil Aiper lorsque des personnes ou des animaux se trouvent dans la piscine.
2. Éteignez l'appareil lorsqu'il n'est pas utilisé ou lorsque vous en effectuez la maintenance.
3. Ne laissez en aucun cas les enfants monter sur l'appareil. Veuillez garder les enfants sous surveillance lorsqu'ils se trouvent à proximité d'un appareil Aiper en fonctionnement.
4. Utilisez uniquement des adaptateurs secteur homologués par Aiper.
5. Le câble de l'adaptateur ne doit être remplacé que par un électricien qualifié ou par le service client Aiper.
6. Il est recommandé de brancher l'adaptateur secteur sur une multiprise ou un parasurtenseur et non directement sur une prise électrique.
7. Assurez-vous que votre appareil est éteint et que le port de rechargement est sec avant de le recharger via l'adaptateur. Pendant le rechargement, votre appareil Aiper doit être placé dans un endroit frais et bien ventilé. Ne couvrez pas votre appareil Aiper pendant son rechargement afin de ne pas provoquer une surchauffe des composants.
8. Rangez la machine à l'intérieur ou dans un endroit frais lorsqu'elle n'est pas utilisée.
9. Ne faites pas fonctionner votre appareil Aiper hors de l'eau car cela pourrait entraîner une surchauffe.
10. Le kit moteur scellé de votre appareil Aiper ne doit être démonté que par des professionnels agréés.
11. N'utilisez pas l'appareil et le filtre de la piscine simultanément.

12. Faites attention où vous marchez et gardez un bon équilibre lorsque vous travaillez à proximité du bord de la piscine.
13. Ne faites pas tomber la coque et ne la percez pas ; n'endommagez pas non plus intentionnellement l'appareil de quelque manière que ce soit, la garantie deviendrait caduque.
14. Lorsque vous placez votre appareil dans l'eau, l'avant de la machine doit être orientée vers le haut et l'appareil ne doit jamais être positionné à l'envers ou jeté dans la piscine.
15. Ne rechargez pas l'appareil si le port de rechargement est mouillé.
16. N'utilisez pas votre appareil Aiper avec un autre robot nettoyeur de piscine simultanément.
17. Ne lavez pas le panneau solaire à l'aide d'un nettoyeur haute pression, le panneau pourrait être endommagé.
18. Lorsque l'appareil fonctionne, ne placez pas vos mains dans une partie de l'appareil, quelle qu'elle soit, des blessures pourraient en résulter.

Veillez lire attentivement ce manuel d'utilisation avant d'utiliser l'appareil.

1. Structure





Bouton Marche/Arrêt :

Appuyez sur le bouton Marche/Arrêt et maintenez-le enfoncé pendant 2 secondes pour allumer/éteindre l'appareil.

Bouton Marche/Arrêt et voyant LED :

Appuyez une fois : Démarrage/Arrêt du nettoyage

Appuyez sur le bouton et maintenez-le enfoncé pendant 10 secondes pour restaurer les paramètres d'usine.

Voyant LED

État	Voyant LED	Signification
Fonctionnement	Le voyant est bleu fixe	L' appareil fonctionne normalement et se recharge par le biais du panneau solaire.
	Le voyant est bleu et clignote lentement	L' appareil fonctionne normalement mais ne se recharge pas par le biais du panneau solaire.
	Le voyant est jaune fixe	Le niveau de la batterie est faible. L' appareil fonctionne de façon intermittente et se recharge par le biais du panneau solaire.
	Le voyant est jaune et clignote lentement	Le niveau de la batterie est faible. L' appareil fonctionne de façon intermittente mais ne se recharge pas par le biais du panneau solaire.
	Le voyant est rouge et clignote	Un dysfonctionnement est survenu (voir la section des solutions de dépannage pour plus de détails).
	Voyant éteint	L' appareil est éteint.
Rechargement avec l'adaptateur	Le voyant est bleu fixe	Le rechargement est en cours, le niveau de la batterie est supérieur à 30 %.
	Le voyant est bleu et présente un effet de pulsation	Le rechargement est en cours, le niveau de la batterie est supérieur à 30 %.
	Le voyant est jaune et présente un effet de pulsation	Le rechargement est en cours, le niveau de la batterie est inférieur à 30 %.
	Le voyant est rouge et présente un effet de pulsation	Le rechargement est en cours. Le niveau de la batterie est trop faible pour que l' appareil puisse fonctionner.

Voyant Wi-Fi

État du voyant Wi-Fi	Signification
Le voyant est bleu et clignote	Démarrage de la configuration du réseau/configuration du réseau en cours.
Le voyant est bleu fixe	Connecté au réseau.
Éteint	Non connecté au réseau.

2. Caractéristiques et conditions de fonctionnement

1. Superficie de piscine : l'appareil fonctionne dans la plupart des piscines domestiques, à l'exception des piscines à débordement fabriquées en verre.

2. Entrée du chargeur : 100-240 V, 50/60 Hz, 1A

3. Sortie du chargeur : 12,6 V/1,8 A

4. Temps de charge : 4 heures

5. Durée de vie de la batterie : jusqu'à 10 heures

6. Indice de protection IP : étanchéité IPX7

7. Batterie : 4000 mAh

8. Profondeur de l'eau : supérieure à 18 cm

9. Plage de fréquence : 2 412~2 484 MHz

10. Puissance d'émission maximale de la fréquence radio : 20,5 dBm

ATTENTION

Votre robot nettoyeur de piscine Aiper est plus efficace dans les conditions décrites ci-dessous.

• Température : 10 à 35 °C (50 à 95 °F)

• Valeur de pH : 7,0 à 7,4

• Chlore : maximum 4 ppm

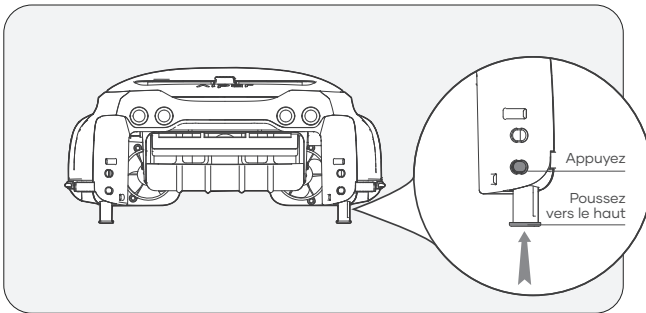
• NaCl : maximum 6 500 ppm

3. Fonctionnement

A. Utilisation des barres anti-échouement

- Quand les utiliser : s' il y a des marches étroites ou d' autres structures dans votre piscine, le robot nettoyeur de piscine peut se coincer sur ces obstacles. Vous pouvez régler les barres anti-échouement intégrées pour éviter ce type de situations.
- Comment les utiliser : appuyez sur le bouton supérieur sur le boîtier des barres et tirez les barres vers le bas. Réglez-les par deux ; les deux situées à l'avant et/ou les deux situées à l'arrière pour maintenir l' appareil équilibré. Pour faire revenir les barres dans leur boîtier, appuyez sur le bouton correspondant et poussez les barres vers le haut jusqu'à ce qu'elles se verrouillent en place.

Image agrandie de la barre anti-échouement



B. Rechargement

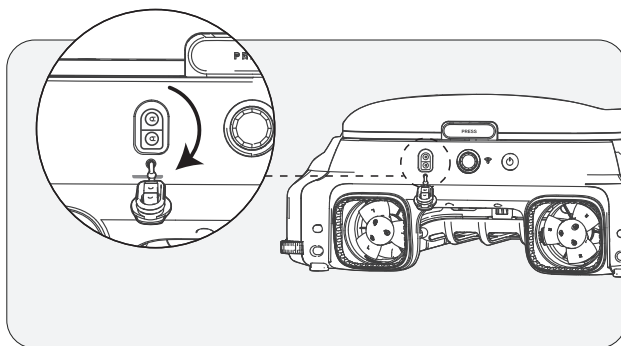
Il existe deux méthodes de rechargement disponibles :

1) Rechargement solaire : après avoir allumé l' appareil, placez-le au soleil et l'appareil se rechargera automatiquement.

2) Rechargement par le biais de l' adaptateur : lorsque l'ensoleillement n' est pas suffisant, le panneau solaire de votre appareil ne suffira pas pour assurer le rechargement. Le port de rechargement de l' appareil vous permet de toujours être maître de la propreté de votre piscine, même en l' absence du soleil et vous offre une méthode de rechargement alternative.

Remarques :

- Rechargement avec l'adaptateur CC : l'appareil s'allumera automatiquement lors de l' utilisation de cette méthode et s' éteindra lorsque l'adaptateur sera débranché.
- Une fois entièrement rechargé ou avant l' utilisation, débranchez l' adaptateur secteur et refermez le cache du port de rechargement pour éviter que de l'eau ne pénètre dans l'appareil.
- À la première utilisation, si l' appareil ne s' allume pas lorsque vous appuyez sur le bouton Marche/Arrêt et maintenez-le enfoncé pendant 2 secondes, veuillez le charger tout d' abord avec l' adaptateur CC.

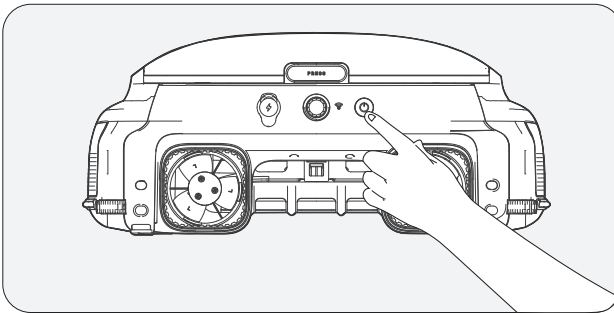


C. Marche/Arrêt

- Mise sous tension : appuyez sur le bouton Marche/Arrêt et maintenez-le enfoncé pendant 2 secondes.
- Mise hors tension : appuyez sur le bouton Marche/Arrêt et maintenez-le enfoncé pendant 2 secondes.
- Lorsque l' appareil est allumé : lors d' un ensoleillement adéquat, le panneau solaire rechargera l' appareil et celui-ci passera en mode Veille.
- L' arrêt de l' appareil : déconnectez l' appareil du réseau et le panneau solaire cessera de recharger l'appareil.

⚠ Veuillez placer la machine sur une surface plane avant de l'allumer.

- Le voyant clignote rapidement au démarrage. Veuillez attendre que le voyant devienne fixe avant d'immerger la machine dans l'eau.



4. Configuration de l'application et du réseau

- Pour visualiser et contrôler votre appareil à distance grâce à l'application Aiper, veuillez vous assurer que l'appareil se trouve à portée d'une couverture de réseau suffisante, sinon l'accès à distance pourrait être indisponible.
- Le contrôle depuis l'application est optionnel et requiert une configuration du réseau pour y accéder. L'appareil peut être utilisé pour le nettoyage des piscines sans application.

A. Téléchargement de l'application Aiper

Téléchargez ou effectuez la mise à jour de l'application « Aiper » à partir de l'App Store ou de Google Play Store.

B. Configuration du réseau

- 1) L'application Aiper est compatible avec les appareils connectés suivants :
 - Apple (iOS) version 12 et supérieures - iPhone, iPad.
 - Systèmes d'exploitation fonctionnant sous Android version 8.0 et supérieures.
- 2) Assurez-vous que votre appareil connecté (téléphone/tablette) est connecté à votre réseau Wi-Fi domestique/de piscine.
- 3) Assurez-vous que la fonctionnalité Bluetooth est activée sur votre appareil connecté (téléphone/tablette).
- 4) Assurez-vous que votre routeur prend en charge la fréquence Wi-Fi 2,4 GHz.
- 5) Gardez votre téléphone à proximité de la machine (dans un rayon de 6 mètres) pour une meilleure connexion avec l'appareil.

C. Création d'un compte

- 1) Lors de la première utilisation de l'application Aiper, appuyez sur le bouton « S'inscrire » sur la page de connexion pour créer un compte.
- 2) Choisissez votre région, indiquez votre e-mail et appuyez sur « Continuer » pour poursuivre.
- 3) Suivez les instructions de la page pour entrer le code de vérification de l'e-mail et définissez le mot de passe de votre compte.
- 4) Appuyez sur « Confirmer » et acceptez le Contrat d'utilisateur et la Déclaration de confidentialité pour terminer la création du compte.

D. Connexion à l'application

- 1) Appuyez sur le bouton « Connexion » sur la page d' accueil pour vous connecter à votre compte.
- 2) Entrez votre e-mail et votre mot de passe, puis appuyez sur « Connexion » pour vous connecter à l'application Aiper.

E. Ajout d'un appareil/Configuration du réseau

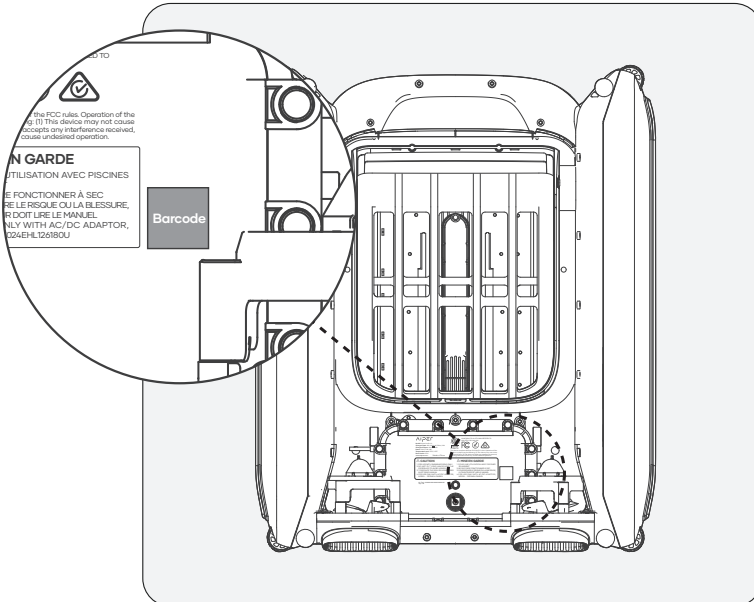
Choisissez l'une des méthodes suivantes de configuration du réseau :

1) Ajout via Bluetooth

- Appuyez sur le bouton « Ajouter » dans la liste des appareils pour ajouter et jumeler l'appareil et démarrer la configuration du réseau.
- Suivez les instructions de l' application pour terminer le jumelage via Bluetooth, puis démarrez la configuration du réseau.

2) Ajout via un code

- Si votre téléphone ne peut pas détecter le signal Bluetooth de l'appareil et si vous ne parvenez pas à ajouter l' appareil via Bluetooth, vous pouvez ajouter son Wi-Fi en scannant son codebarres.



- Appuyez sur « Ajouter via un code » pour démarrer la configuration du réseau de votre appareil via le code.
- Suivez les instructions pour scanner le code-barres sur l'appareil.
- Appuyez sur « Configurer maintenant » et connectez-vous au Wi-Fi de l'appareil dans les paramètres système en suivant les indications de l'application.
- Une fois la connexion établie avec succès, appuyez sur Suivant pour démarrer la configuration du réseau.

3) Configuration manuelle

- La configuration manuelle doit être terminée dans les 10 minutes suivant le démarrage de l' appareil. Sinon, le système devra être redémarré.
- Si vous ne parvenez pas à ajouter l'appareil via le code QR, vous pouvez sélectionner manuellement le type d' appareil pour ajouter le Wi-Fi de l'appareil.
- Appuyez pour sélectionner le type d'appareil.
- Sélectionnez le modèle de l' appareil correspondant et appuyez sur « Ajouter ».
- Appuyez sur « Configurer maintenant » et connectez-vous au Wi-Fi de l'appareil dans les paramètres système en suivant les indications de l'application.
- Suivez les instructions pour terminer le jumelage via Bluetooth, puis démarrez la configuration du réseau.

Dépannage de l'application

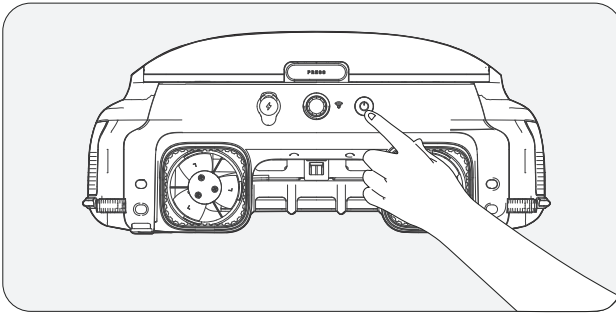
« Appareil non trouvé »	L'application ne parvient pas à établir une connexion avec l'appareil.	<ul style="list-style-type: none"> – Assurez-vous que l'appareil est allumé. – Assurez-vous que la connexion n'est pas en attente. Si le voyant LED clignote, réinitialisez le Wi-Fi de l'appareil. – L'appareil est trop éloigné de votre routeur. Ajustez la position de votre routeur ou installez un répéteur Wi-Fi chez vous pour garantir une couverture Wi-Fi pour l'appareil.
« La configuration du réseau a échoué »	<ul style="list-style-type: none"> – Le mot de passe WiFi est incorrect. – La fréquence du WiFi est de 5 GHz. – Le signal du réseau Wi-Fi est trop faible. 	<ul style="list-style-type: none"> – L'appareil est trop éloigné de votre routeur. Ajustez la position de votre routeur ou installez un répéteur Wi-Fi chez vous pour garantir une couverture Wi-Fi pour l'appareil.

5. Instructions d'utilisation

A. Mode de nettoyage automatique

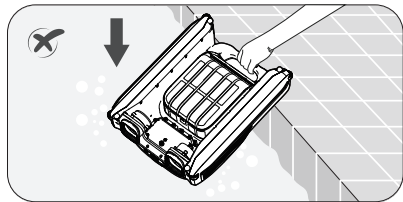
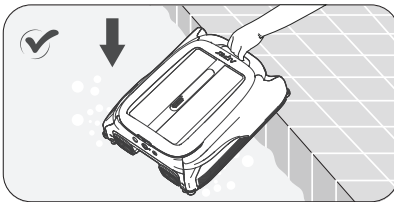
Lorsque l'appareil est allumé, appuyez une fois sur le bouton Marche/Arrêt sur l'appareil ou dans l'application pour lancer/arrêter le mode de nettoyage automatique. En mode de nettoyage automatique, l'appareil fonctionne automatiquement et sera rechargé grâce au panneau solaire lors des jours ensoleillés.

- Par défaut, l'appareil fonctionne en mode de nettoyage automatique.



B. Placement de l'appareil dans la piscine

Placez délicatement l'appareil horizontalement à la surface de l'eau, le panneau solaire orienté vers le haut.



Pour sortir l'appareil de l'eau, vous pouvez utiliser l'application Aiper pour piloter manuellement l'appareil jusqu'au bord de la piscine afin de pouvoir le récupérer ou attendre que l'appareil atteigne le bord de la piscine et le soulever par la poignée.

C. Mode à distance (prise en charge du fonctionnement dans

l' application Aiper uniquement) Vous pouvez utiliser le mode à distance dans l' application Aiper pour piloter manuellement l'appareil et le diriger vers l' avant, l' arrière, la gauche et la droite. Si, en mode à distance, l'appareil reste inactif pendant trois minutes, il reprendra le mode utilisé précédemment.

D. Mode intermittent

Lorsque le niveau de batterie est faible, le voyant LED devient jaune. L'appareil va fonctionner de façon intermittente et continuer de fonctionner une fois le niveau de batterie correct retrouvé.

- Informations importantes relatives au mode intermittent : si l'ensoleillement est faible et si le taux de rechargement solaire est inférieur au taux de consommation électrique de l'appareil, il s'éteindra automatiquement en raison d'une alimentation insuffisante. Cependant, il n'est pas nécessaire d'intervenir manuellement.

L' appareil va lui-même se recharger grâce au panneau solaire dès le retour du soleil le jour suivant et se remettra à fonctionner automatiquement.

E. Détection de la température de l' eau (uniquement disponible dans l'application Aiper)

Lorsque l' appareil est connecté à votre appareil connecté, les utilisateurs peuvent accéder à la température de l' eau de leur piscine dans l'application.

F. Restauration des paramètres d'usine

Pour restaurer les paramètres d' usine, appuyez sur le bouton Marche/Arrêt et maintenez-le enfoncé pendant 10 secondes. Cette action va effacer toutes les données de l' appareil, y compris les configurations de réseaux et les historiques de nettoyage.

6. Maintenance et stockage

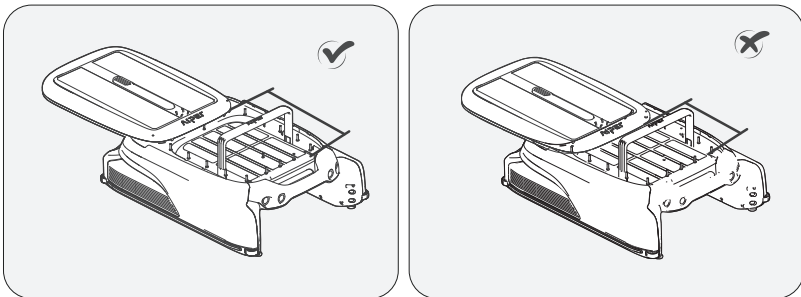
Nettoyez et videz le bac de récupération des saletés tous les 2-3 jours afin de préserver une haute efficacité.

A. Nettoyage du bac de récupération des saletés

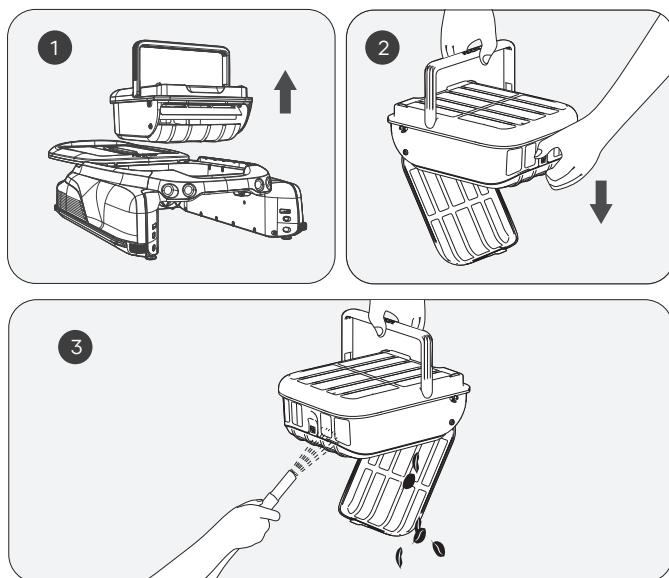
1) Saisissez la poignée de l' appareil pour le soulever et le sortir de la piscine, et placez-le sur une surface plane.

Tenez la poignée de l' appareil d' une main (pour éviter les blessures pendant l' opération), appuyez sur le bouton situé sur le couvercle du panneau solaire avec l' autre main, et poussez le couvercle du panneau solaire vers l'arrière.

- Tirez le couvercle en arrière jusqu' au bout, sinon il empêchera le retrait du bac de récupération des saletés.
- La poignée du bac de récupération des saletés ressortira automatiquement. N' approchez pas votre tête trop près pour ne pas être frappé par la poignée qui ressort



- 2) Soulevez la poignée du bac de récupération des saletés pour le retirer de l'appareil. Videz le bac et utilisez un pistolet à haute pression ou un tuyau pour rincer le bac de récupération des saletés jusqu' à ce qu'il soit entièrement propre.



- 3) Replacez le bac de récupération des saletés dans l' appareil et poussez le couvercle supérieur jusqu' à sa position d' origine. Assurezvous que le couvercle est poussé jusqu' au bout afin d' éviter qu' il ne glisse lorsque l'appareil sera soulevé.

Veuillez noter que la poignée située sur le couvercle du bac de récupération des saletés retournera automatiquement dans sa position d'origine une fois le couvercle supérieur en place.

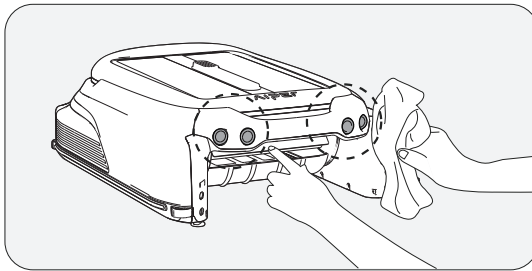
B. Nettoyage du panneau solaire

Vous pouvez apercevoir des résidus blancs sur le panneau solaire, qui proviennent des produits chimiques et des minéraux présents dans l'eau de votre piscine. Rincez les résidus sur le panneau solaire à l'eau propre et essuyez avec un chiffon doux et sec.

AVERTISSEMENT : N'utilisez pas de nettoyeur haute pression ni de grattoir pour nettoyer le panneau solaire, car cela pourrait endommager l'appareil et annuler la garantie.

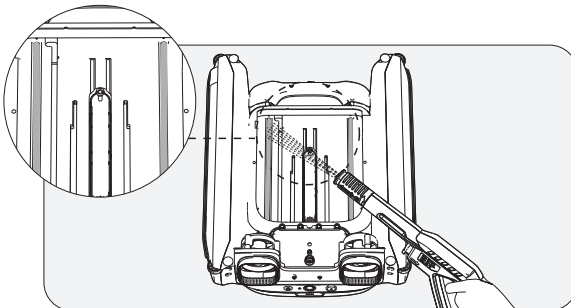
C. Nettoyage du capteur à ultrasons

Veuillez utiliser un chiffon doux et sec pour nettoyer le capteur à ultrasons afin d'éviter qu'il ne soit obstrué par des saletés.



D. Nettoyage des glissières

Lorsqu'il est difficile de faire coulisser le couvercle supérieur, il se peut qu'il y ait des saletés ou des débris dans les glissières. Retournez délicatement l'appareil et rincez les glissières à l'aide d'un pistolet haute pression.



E. Rangement de votre appareil

Lorsque l' hiver arrive ou lorsque le robot nettoyeur de piscine ne sera pas utilisé pendant plus d'un mois, vous pouvez utiliser les méthodes.

Suivantes pour ranger votre appareil

- 1). Assurez-vous que le niveau de batterie de l' appareil n' est pas faible (le voyant LED est bleu fixe).
- 2). Appuyez sur le bouton Marche/Arrêt et maintenez-le enfoncé pendant 2 secondes pour l'éteindre.
- 3). Nettoyez l'appareil avec un chiffon sec.
- 4). Rangez-le à l' intérieur, dans un endroit frais et sec, éloigné des zones à températures élevées.
- 5). Rechargez complètement l'appareil avant la prochaine utilisation.
- 6). Afin de mieux préserver la durée de vie de la machine, vous pouvez utiliser l' adaptateur CC pour recharger la machine une fois tous les 2 mois.

7. Solutions de dépannage

Remarque : Le panneau solaire ne peut fonctionner pour recharger l'appareil que lorsque celui-ci est allumé.

Si l'appareil ne fonctionne pas correctement, un voyant LED rouge clignotera sur l'appareil et un signal sonore retentira. De plus, l'application signalera le dysfonctionnement. Vous pouvez tenter de trouver une solution au dysfonctionnement en suivant les instructions dans le FAQ ou dans l'application Aiper ou contacter le service après-vente.

8. Contenu de l'emballage

No	Nom	Modèle	QTÉ (pce)
1	Robot nettoyeur de piscine	Aiper Surfer S1/M1	1
2	Chargeur	/	1
3	Manuel d'utilisation	/	1
4	Bac de récupération des saletés	/	1

9. Garantie

Ce produit a passé avec succès le contrôle qualité et le test de sécurité effectués par nos techniciens.

1. Ce produit est fourni avec une garantie de 24 mois à partir de la date d'achat, qui couvre la batterie et le moteur de l'appareil.
2. Cette garantie devient caduque si le produit a fait l'objet de modifications, d'une utilisation incorrecte ou a été réparé par des personnes non autorisées.
3. Cette garantie ne couvre que les défauts de fabrication et ne couvre pas les dommages résultant d'une mauvaise manipulation du produit par son propriétaire.
4. Le numéro de commande ou la preuve d'achat doit être présenté(e) apour toute demande de réparation pendant la période de garantie.



Ce symbole indique que ce produit ne doit pas être traité en tant que déchet ménager. Il doit au lieu de cela être remis à un point de collecte applicable pour le recyclage des équipements électriques et électroniques.

Gracias por elegir Aiper.

Le damos la bienvenida a una familia de la que ya forman parte millones de usuarios que confían en Aiper para el cuidado de su piscina y disfrutan de una limpieza incomparable con total comodidad.

Este manual de uso le ayudará a mantener adecuadamente su skimmer de piscinas Aiper y asegurarse de optimizar su rendimiento durante el máximo tiempo posible. Le rogamos que dedique unos minutos a leerlo con detenimiento.

Si tiene alguna pregunta, visite nuestro sitio web www.aiper.com. El servicio de atención al cliente está a su disposición para resolver sus dudas u ofrecerle asistencia.

Servicio de atención al cliente de Aiper:

US Toll-Free: 1-866-850-0666

AU Toll-Free: +61(180)049-7023

Email: service@aiper.com

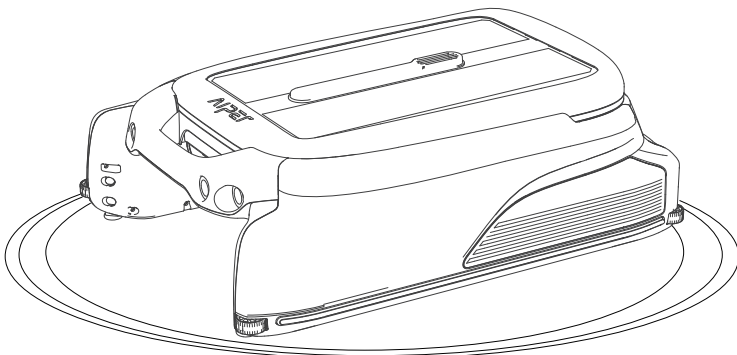
Facebook: @AiperOfficial



Escanee para
ver una guía
en vídeo



Escanee el código QR
para acceder al
soporte al cliente.



Español

CONTENIDOS

Precauciones de seguridad importantes	----	46
1. Estructura	-----	48
2. Especificaciones y condiciones de funcionamiento	-----	50
3. Operaciones	-----	51
4. Aplicación y configuración de la red	-----	54
5. Instrucciones de operación	-----	57
6. Mantenimiento y almacenamiento	-----	59
7. Resolución de problemas	-----	63
8. Lista de contenidos	-----	64
9. Garantía	-----	64

Precauciones de seguridad importantes

Lea atentamente este manual y utilice su producto Aiper de acuerdo con las instrucciones del manual. Aiper no se hace responsable de las pérdidas o lesiones causadas por el uso inadecuado de este producto.

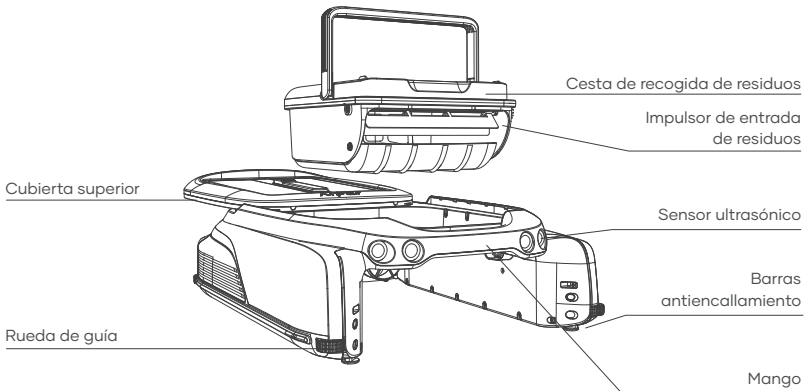
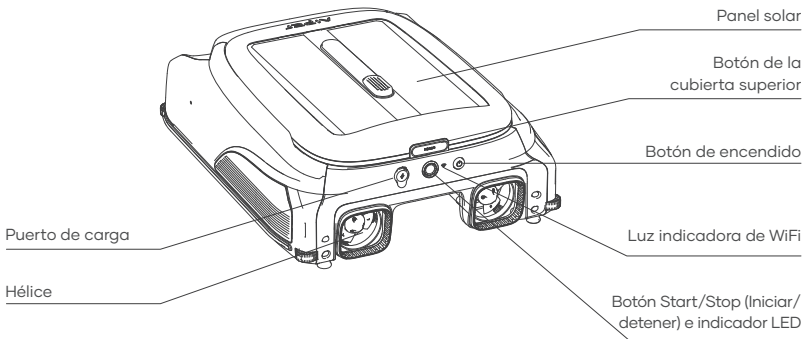
Para su seguridad y para obtener un rendimiento óptimo de este producto, lea y siga las siguientes sugerencias.

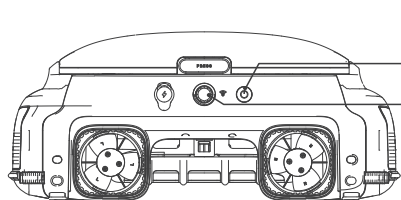
1. No utilice el producto Aiper mientras haya personas o animales en la piscina.
2. Apague el producto cuando no esté en uso o para realizar tareas de mantenimiento.
3. No permita que los niños se suban al producto bajo ninguna circunstancia. Supervise a los niños cuando estén cerca de un producto Aiper en funcionamiento.
4. Utilice únicamente adaptadores de corriente autorizados por Aiper.
5. El cable del adaptador solo debe reemplazarlo un electricista cualificado o el servicio de atención al cliente de Aiper.
6. Es recomendable conectar el adaptador de corriente a una regleta o protector de sobretensión, en lugar de directamente a una toma de corriente.
7. Antes de cargarlo mediante el adaptador, asegúrese de que el producto esté apagado y de que el puerto de carga esté seco. Durante la carga, el producto Aiper debe mantenerse en una zona fresca y bien ventilada. No cubra el producto Aiper mientras carga. Sus componentes podrían recalentarse.
8. Mientras no esté en uso, guarde el producto en un lugar interior o fresco.
9. No utilice el producto Aiper fuera del agua. Podría producirse un sobrecalentamiento.
10. Nadie salvo un profesional certificado debe desmontar el conjunto de accionamiento sellado del producto Aiper.
11. No utilice el producto y un filtro de piscinas al mismo tiempo.

12. Cuando se encuentre cerca de la piscina, preste atención para no caerse.
13. No perfore la funda o la cubierta ni dañe intencionadamente el producto de ninguna forma. De lo contrario, la garantía podría anularse.
14. Al poner el producto dentro del agua, la parte frontal debe estar orientada hacia arriba. Nunca debe introducirse en la piscina de golpe o con la parte frontal bocabajo.
15. No cargue el producto con el puerto de carga mojado.
16. No utilice su producto Aiper y otro skimmer de piscinas simultáneamente.
17. No limpie el panel solar con una pistola de agua a presión, ya que podría dañarlo.
18. Cuando el producto esté en funcionamiento, no lo toque. De lo contrario, podría producirle lesiones.

Lea atentamente este manual de usuario antes de utilizar el producto.

1. Estructura





Botón de encendido:

Pulse el botón de encendido durante 2 segundos para encender o apagar el producto.

Botón Start/Stop (Iniciar/detener) e indicador LED:

Pulse una vez para iniciar/detener la limpieza.

Mantenga el botón pulsado durante 10 segundos para restablecer los valores de fábrica.

Indicador LED

Estado	Indicador LED	Descripción
En funcionamiento	Luz azul fija	El producto funciona con normalidad y carga a través del panel solar.
	Luz azul con parpadeo lento	El producto funciona con normalidad, pero no carga a través del panel solar.
	Luces amarillas fijas	Batería baja. El producto funciona de forma intermitente y carga a través del panel solar.
	Luz amarilla con parpadeo lento	Batería baja. El producto funciona de forma intermitente y no carga a través del panel solar.
	Luz roja con parpadeo	Se ha producido un error. (Consulte Resolución de problemas para obtener más información).
	Luz apagada	El producto está apagado.
El producto está apagado.	Luz azul fija	La batería está completamente cargada.
	Luz azul intermitente	Carga en curso. El nivel de batería es superior al 30 %.
	Luz amarilla intermitente	Carga en curso. El nivel de batería es inferior al 30 %.
	Luz roja intermitente	Carga en curso. El nivel de batería es demasiado bajo para que el producto pueda funcionar.

Luz indicadora de WiFi

Estado de la luz de WiFi	Descripción
Luz azul con parpadeo	Iniciando configuración de red/configuración de red en curso.
Luz azul fija	El producto está conectado a la red.
Apagada	El producto no está conectado a la red.

2. Especificaciones y condiciones de funcionamiento

1. Tamaño de la piscina: este producto es adecuado para la mayoría de piscinas domésticas, salvo las piscinas infinity y las de cristal.

2. Entrada del cargador: 100-240 V, 50/60 Hz, 1A

3. Salida del cargador: 12,6 V/1,8 A

4. Tiempo de carga: 4 horas

5. Duración de la batería: Hasta 10 horas

6. Certificación IP: IPX7 impermeable

7. Batería: 4000 mAh

8. Profundidad del agua: superior a 17,8 cm.

9. Intervalo de frecuencia: 2412-2484 MHz

10. Potencia máxima de emisión de radiofrecuencia: 20,5 dBm

PRECAUCIÓN:

El rendimiento del skimmer de piscinas Aiper es mayor si se utiliza en las condiciones de agua descritas a continuación.

- Temperatura: 10-35 °C (50-95 °F)

- Valor de pH: 7,0-7,4

- Cloro: máximo 4 ppm

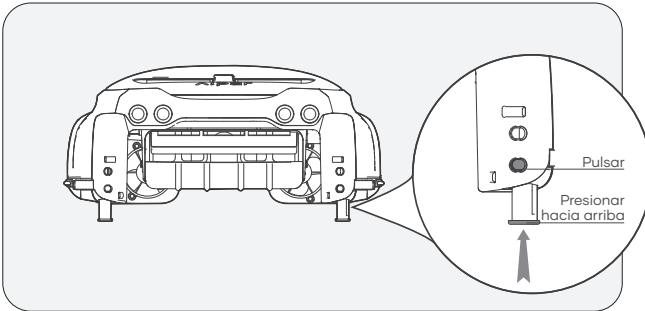
- NaCl: máximo 6500 ppm

3. Operaciones

A. Uso de las barras antiencallamiento

- Situaciones de uso: si su piscina cuenta con escaleras u otras estructuras poco profundas, el skimmer puede quedarse atascado. Para evitarlo, puede ajustar las barras antiencallamiento que incorpora el producto.
- Forma de uso: pulse el botón superior en la carcasa de las barras y bájelas. Ajustelas de dos en dos (ambas barras frontales o ambas barras posteriores) para mantener a nivel el producto. Para volver a introducirlas en la carcasa, pulse el botón correspondiente y presione hacia arriba las barras hasta que encajen en su lugar.

Imagen ampliada de la barra antiencallamiento



B. Carga

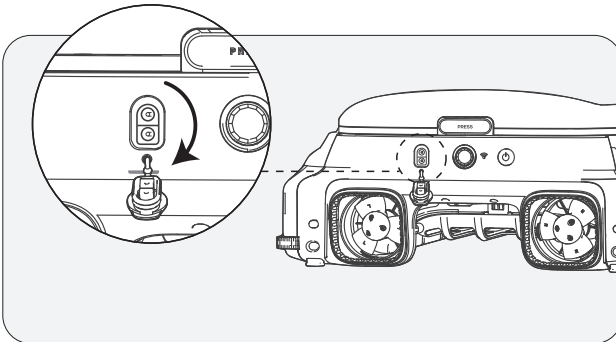
Existen dos métodos de carga:

1) Carga solar: después de encenderlo, coloque el producto bajo la luz del sol. Cargará de forma automática.

2) Carga mediante el adaptador: si no hay suficiente sol, es posible que la carga a través del panel solar no sea eficiente. El puerto de carga del producto le permite controlar la limpieza en todo momento al proporcionarle un método de carga alternativo.

Notas:

- Carga mediante el adaptador de CC: cuando se use este método, el producto se encenderá automáticamente y se apagará al desenchufar el adaptador.
- Cuando se haya cargado por completo o antes del uso, desconecte el adaptador de corriente y cierre la tapa del puerto de carga para evitar que entre agua al producto.
- Si, después del primer uso, el producto no se enciende al mantener el botón de encendido pulsado durante 2 segundos, cárguelo primero con el adaptador de CC.

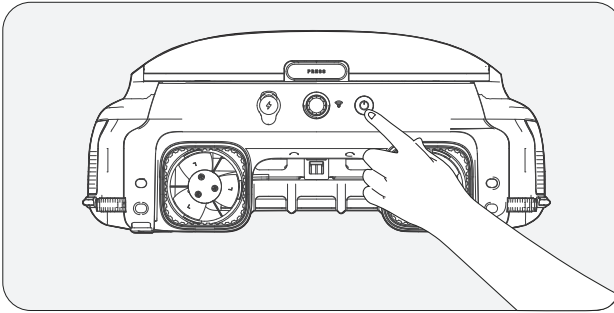


C. Encendido/Apagado

- Encendido: mantenga el botón de encendido pulsado durante 2 segundos.
- Apagado: mantenga el botón de encendido pulsado durante 2 segundos.
- Cuando el producto está encendido: si la luz del sol es adecuada, el panel solar cargará el producto y este entrará en estado de espera.
- Cuando el producto está apagado: el producto se desconectará de la red y el panel solar dejará de cargarlo.

⚠ **Coloque el producto en una superficie llana antes de encenderlo.**

- Durante la puesta en marcha, la luz LED parpadeará rápidamente. Espere a que la luz LED se quede fija antes de sumergir el producto en el agua.



4. Aplicación y configuración de la red

- Para controlar y consultar el estado de su producto mediante la aplicación Aiper, asegúrese de que disponga de buena cobertura de red. De lo contrario, el acceso remoto podría no estar disponible.
- El control desde la aplicación es opcional y requiere la configuración de la red. No es necesario conectar el producto a la aplicación para utilizarlo para la limpieza de la piscina.

A. Descarga de la aplicación Aiper

Descargue o actualice la aplicación Aiper desde App Store o Google Play.

B. Configuración de red

- 1) La aplicación Aiper es compatible con los dispositivos inteligentes a continuación:
 - iPhone y iPad con iOS versión 12 y superior de Apple.
 - Sistemas operativos con la versión 8.0 y superior de Android.
- 2) Compruebe que su dispositivo inteligente (teléfono/tableta) esté conectado a la red WiFi de su hogar o del entorno donde se encuentre la piscina.
- 3) Asegúrese de que el Bluetooth de su dispositivo inteligente (teléfono/tableta) esté habilitado.
- 4) Confirme que su enrutador sea compatible con una frecuencia de WiFi de 2,4 GHz.
- 5) Para facilitar la conexión con el producto, mantenga el teléfono cerca (no más de 6 m).

C. Creación de una cuenta

- 1) Cuando use la aplicación Aiper por primera vez, seleccione el botón "Sign In" (Registrarse) en la página de inicio de sesión para crear una cuenta.
- 2) Seleccione su región, introduzca un correo electrónico y pulse "Continue" (Continuar).
- 3) Siga las indicaciones de la página para introducir el código de verificación proporcionado por correo electrónico y establecer la contraseña de la cuenta.
- 4) Seleccione "Confirm" (Confirmar) y acepte el Acuerdo de usuario y el Acuerdo de privacidad para completar la creación de la cuenta.

D. Inicio de sesión en la aplicación

- 1) Para iniciar sesión en su cuenta, pulse el botón "Log In" (Iniciar sesión) en la página principal.
- 2) Introduzca su correo electrónico y su contraseña, y pulse "Log In" (Iniciar sesión) para iniciar sesión en la aplicación Aiper.

E. Agregar el producto/Configurar la red

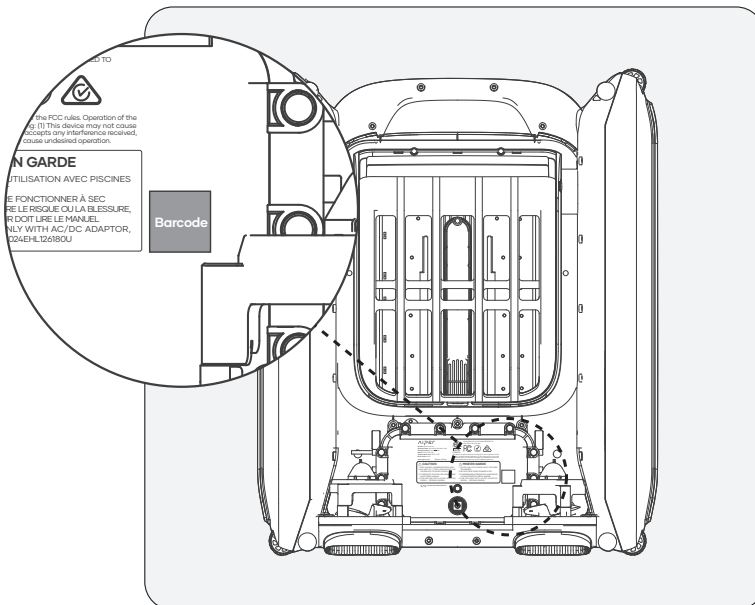
Seleccione uno de los métodos de configuración de la red a continuación:

1) Mediante Bluetooth

- Pulse el botón "Add" (Agregar) en la lista de dispositivos, vincule el producto e inicie la configuración de la red.
- Siga las indicaciones de la aplicación para completar la conexión por Bluetooth e inicie la configuración de la red.

2) Mediante código

- Si el teléfono no detecta la señal Bluetooth del producto y no consigue agregarlo a través de este método, agregue su WiFi escaneando el código de barras.



- Seleccione "Add via Code" (Agregar mediante código) para iniciar la configuración de la red del producto mediante el código.
- Siga las indicaciones para escanear el código de barras del producto.
- Pulse "Set Now" (Establecer ahora) y conéctese a la WiFi del producto en la configuración del sistema siguiendo las indicaciones de la aplicación.
- Cuando la conexión se haya completado, pulse "Next" (Siguiente) para iniciar la configuración de la red.

3) Configuración manual

- La configuración manual debe completarse en un plazo de 10 minutos tras la puesta en marcha del producto. De lo contrario, el sistema deberá reiniciarse.
- Si no agrega el producto mediante el código QR, puede seleccionar manualmente el tipo de producto para agregar su WiFi.
- Seleccione el tipo de producto.
- Seleccione el modelo del producto y pulse "Add" (Agregar).
- Pulse "Set Now" (Establecer ahora) y conéctese a la WiFi del producto en la configuración del sistema siguiendo las indicaciones de la aplicación.
- Siga las indicaciones para completar la conexión por Bluetooth e inicie la configuración de la red.

Resolución de problemas de la aplicación

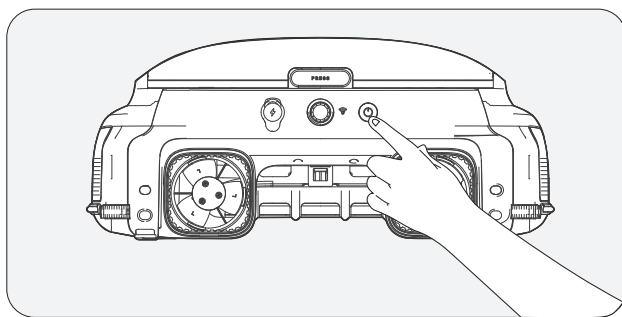
<p>"Device not found" (No se detectó ningún producto)</p>	<p>La aplicación no puede establecer conexión con el producto.</p>	<ul style="list-style-type: none"> - Asegúrese de que el producto esté encendido. - Compruebe que la conexión no esté pendiente. Si el indicador LED está parpadeando, restablezca la WiFi del producto. - El producto se encuentra demasiado lejos de su enrutador o instale un amplificador de WiFi en su casa para garantizar que el producto tenga cobertura.
<p>"Network configuration failed" (Error de configuración de la red)</p>	<ul style="list-style-type: none"> - La contraseña de la WiFi es incorrecta. - La WiFi es de 5 GHz. - La señal de la red WiFi es demasiado débil. 	<ul style="list-style-type: none"> - El producto se encuentra demasiado lejos de su enrutador. Ajuste la posición del enrutador o instale un amplificador de WiFi en su casa para garantizar que el producto tenga cobertura.

5. Instrucciones de operación

A. Modo de limpieza automática

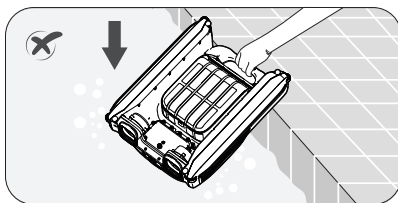
Con el producto encendido, pulse una vez el botón Start/Stop (Iniciar/detener) en el producto o en la aplicación para iniciar o detener el modo de limpieza automática. En el modo de limpieza automática, el producto funciona automáticamente y se carga mediante el panel solar siempre que haya luz suficiente.

- El modo de limpieza automática es el modo predeterminado del producto.



B. Colocación del producto en la piscina

Coloque con cuidado el producto horizontalmente sobre la superficie de agua, con el panel solar orientado hacia arriba.



Para sacar el producto del agua, puede utilizar la aplicación Aiper para pilotar manualmente el producto hasta el borde de la piscina y recogerlo, o bien esperar a que el producto llegue al borde por sí solo y levantarlo por el asa.

C. Modo remoto (solo puede utilizarse con la aplicación Aiper)

Utilice el modo remoto de la aplicación Aiper para pilotar manualmente el producto hacia delante, hacia atrás, a la izquierda y a la derecha. En caso de que se mantenga inactivo durante 3 minutos cuando está en modo remoto, el producto volverá al modo anterior.

D. Modo intermitente

Cuando el nivel de batería es bajo, el indicador LED se vuelve amarillo. El producto funcionará de forma intermitente y volverá a la tarea cuando el nivel de batería se recupere.

- Información importante sobre el modo intermitente: si la luz del sol es débil y la tasa de carga solar es inferior a la de consumo de energía del producto, se apagará automáticamente debido a la falta de energía. No es necesario que intervenga manualmente.

El producto se recargará mediante el panel solar al día siguiente cuando haya sol y reanudará automáticamente el funcionamiento.

E. Detección de la temperatura del agua (solo disponible en la aplicación Aiper)

Cuando el producto está conectado a un dispositivo inteligente, el usuario puede consultar la temperatura del agua de su piscina desde la aplicación.

F. Restablecimiento de los valores de fábrica

Para restablecer los valores de fábrica, mantenga pulsado el botón de encendido durante 10 segundos. De esta forma, se borrarán todos los datos del producto, incluidas las configuraciones de la red y el registro de limpieza.

6. Mantenimiento y almacenamiento

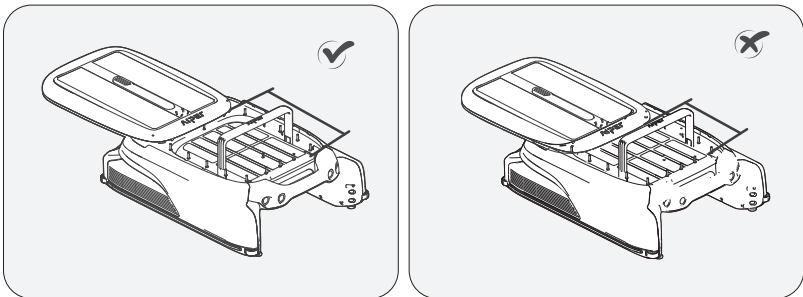
Para preservar la eficacia del producto, limpie la cesta de recogida de residuos cada 2-3 días.

A. Limpieza de la cesta de recogida de residuos

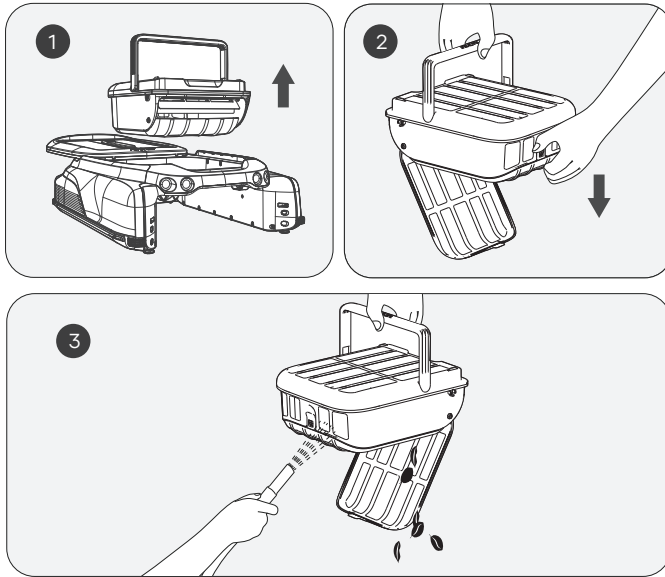
1) Agarre el producto por el asa para sacarlo de la piscina y colóquelo sobre una superficie plana.

Sostenga el asa del producto con una mano (para evitar lesiones durante la limpieza), pulse el botón en la cubierta del panel solar con la otra mano y empuje la cubierta del panel solar hacia atrás.

- Para no interferir en la retirada del depósito de residuos, tire de la cubierta hacia el extremo posterior.
- El asa de la cesta de recogida de residuos se desplegará automáticamente. No ponga la cabeza demasiado cerca con el fin de evitar que el asa desplegable lo golpee.



2) Levante la cesta de recogida de residuos por el asa para retirarla del producto. Vacíe el depósito y enjuáguelo con una pistola de agua a presión o con una manguera hasta que esté completamente limpia.



3) Vuelva a colocar el depósito de recogida de residuos en el producto y presione de nuevo la cubierta superior en su posición original. Asegúrese de que la cubierta superior esté bien ajustada en su sitio para evitar que se deslice al levantarla.

El asa de la cubierta de la cesta de recogida de residuos volverá automáticamente a su lugar al colocar la cubierta superior.

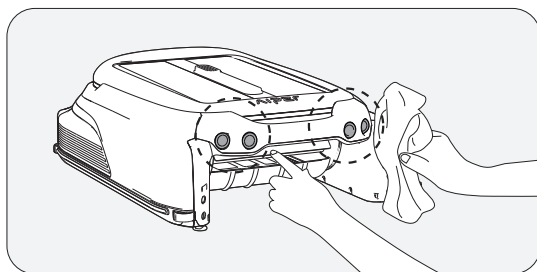
B. Limpieza del panel solar

Es posible que observe restos blancos en el panel solar. Se trata de productos químicos y minerales procedentes del agua de la piscina. Enjuáguelos con agua limpia y pase un paño suave y seco.

ADVERTENCIA: No utilice agua a presión ni herramientas para raspar el panel solar. Podría dañar el producto y anular la garantía.

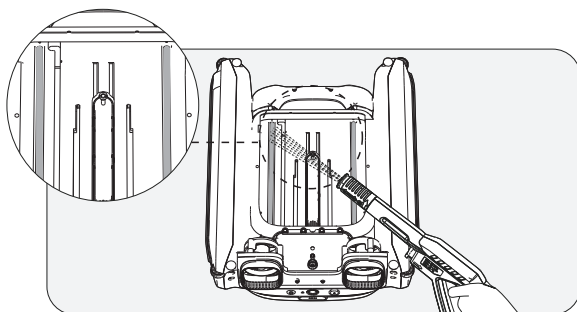
C. Limpieza del sensor ultrasónico

Utilice un paño suave y seco para limpiar el sensor ultrasónico y evitar que quede obstruido por la suciedad.



D. Limpieza de las guías

Si resulta difícil deslizar la cubierta superior, es posible que haya suciedad o residuos en las guías. Dé la vuelta con cuidado al producto y enjuague las guías con una pistola de agua a presión.



E. Almacenamiento del producto

En invierno o cuando el skimmer no se vaya a utilizar durante más de un mes, lleve a cabo los siguientes métodos para almacenarlo:

- 1). Asegúrese de que el producto no tenga un nivel de batería bajo (luz azul fija en el indicador LED).
- 2). Mantenga el botón de encendido pulsado durante 2 segundos para apagarlo.
- 3). Limpie el producto con un paño seco.
- 4). Guárdelo en una zona interior fresca y seca, lejos de altas temperaturas.
- 5). Cargue por completo el producto antes de volver a utilizarlo.
- 6). Para prolongar la vida del producto, le recomendamos usar el adaptador de CC para cargarlo una vez cada dos meses.

7. Resolución de problemas

Nota: El panel solar solo puede cargar el producto cuando este está encendido.

Cuando se producen problemas de funcionamiento del producto, se enciende un indicador LED rojo parpadeante y un indicador acústico de alarma, y el error se muestra en la aplicación. Puede tratar de solucionar el error siguiendo las instrucciones en el FAQ o las indicaciones en la aplicación Aiper, o poniéndose en contacto con el servicio posventa.

8. Lista de contenidos

N.º	Nombre	Modelo	Cant. (uds.)
1	Skimmer	Aiper Surfer S1/M1	1
2	Cargador	/	1
3	Manual de uso	/	1
4	Cesta de recogida de residuos	/	1

9. Garantía

Este producto ha sido sometido a controles de calidad y pruebas de seguridad llevados a cabo por nuestros técnicos.

1. El producto incluye una garantía que cubre la batería y el motor durante 24 meses a partir de la fecha de compra.
2. La garantía quedará anulada en caso de alteración, uso inadecuado o reparación por parte de personal no autorizado.
3. La garantía se aplica únicamente a los defectos de fabricación. No cubre los daños ocasionados por la manipulación incorrecta de los usuarios.
4. Para las reparaciones solicitadas durante el período de garantía, deberá presentarse el número de pedido o prueba de compra.



Este símbolo indica que este producto no debe tratarse como un residuo doméstico. Deberá llevarse al punto de recogida para el reciclaje de aparatos eléctricos y electrónicos que corresponda.

AIPEER[®]

— bring vacation home —



www.aiper.com