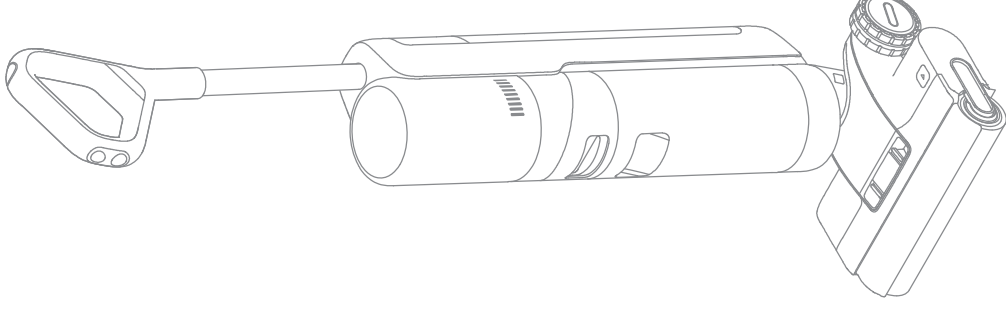


Dreame H13 Pro

Wet and Dry Vacuum

User Manual



- The word "dreame" is the abbreviation of Dreame Technology Co., Ltd. and its subsidiaries in China. It is the transliteration of the company's Chinese name "追觅", which means striving for excellence in every endeavor and reflects the company's vision of continuous pursuit, exploration and search in technology.
- Das Wort "dreame" ist die Abkürzung von Dreame Technology Co., Ltd. und seinen Tochterunternehmen in China. Es ist die Transliteration des chinesischen Namens "追觅", dieser Firma, was für das Streben nach Vollendung steht und die Vision des Unternehmens widerspiegelt, nämlich im Bereich der Technologie unaufhaltsam weiterzustreben, zu erforschen und entdecken.
- Dreame est l'abréviation de l'entreprise chinoise Dreame Technology Co., Ltd. et ses filiales, qui est la traduction phonétique du nom chinois de l'entreprise « 追觅 », reflétant la vision de l'entreprise qui consiste à poursuivre, explorer et rechercher constamment les avancées technologiques.
- La parola "dreame" è l'abbreviazione dell'azienda Dreame Technology Co., Ltd. e delle sue filiali in Cina. È la traslitterazione del nome cinese dell'azienda "追觅", che dimostra la continua ricerca, esplorazione e visione di ricerca dell'azienda nella tecnologia.
- La palabra "dreame" es la abreviatura de Dreame Technology Co., Ltd. y sus subsidiarias en China. Es la transliteración del nombre chino de "追觅", que significa luchar por la excelencia en cada esfuerzo y refleja la visión de la compañía de continuamente buscar, explorar e investigar en tecnología.
- Dreame — сокращённое название китайской компании Dreame Technology Co., Ltd. и ее дочерних предприятий. Dreame является транслитерацией названия компании на китайском языке « 追觅 », в котором отражено корпоративное видение компании в сфере науки и технологии — непрерывный поиск, исследование и стремление к успеху.
- Het woord "dreame" is de afkorting van Dreame Technology Co., Ltd. en zijn dochterondernemingen in China. Het is de transliteratie van de Chinese naam van het bedrijf "追觅", wat betekent streven naar uitmuntendheid in elke inspanning en weerspiegelt de visie van het bedrijf van continu streven, verkennen en zoeken in technologie.
- Dreame -кытайлық Dreame Technology Co., Ltd. компаниясының қысқартылған атауы және оның еншілес кәсіпорындары болып табылады. Dreame бұл кытай тіліндегі компания атауының транслитерациясы, онда компанияның ғылым мен технология саласындағы корпоративтік көзқарасы -үздіксіз іздеу, зерттеу және табысқа ұмтылу бейнеленген.
- คำว่า "dreame" เป็นชื่อย่อของ Dreame Technology Co., Ltd. และบริษัทที่อยู่ในประเทศจีน เป็นคำทับศัพท์ของ "追觅" ซึ่งออกเสียงเหมือนกับความหมายมุ่งมั่นเพื่อสร้างความก้าวหน้า และสะท้อนให้เห็นถึงวิสัยทัศน์ของบริษัทในการแสวงหา การพัฒนา และการค้นคว้าทางด้านเทคโนโลยีอย่างต่อเนื่อง
- Dreame là từ viết tắt của Dreame Technology Co., Ltd. và các công ty con của nó tại Trung Quốc. Đây là phiên âm từ tên tiếng Trung của công ty "追觅", với ý nghĩa luôn nỗ lực để đạt được sự xuất sắc, đồng thời phản ánh tầm nhìn của công ty về việc không ngừng theo đuổi, khám phá và tìm kiếm trong lĩnh vực công nghệ.



Website: <https://global.dreame.tech.com>
Dreame Trading (Tianjin) Co., Ltd.
Made in China

YYYY-MM
HHR27C-EU-A00



The illustrations in this manual are for reference only.
Please refer to the actual product.

DREAME

THANK YOU

FOR PURCHASING THIS DREAME
WET AND DRY VACUUM.

Registration Quick Start

Welcome to register a Dreame account by scanning the QR code. You are available for the **User Manual** and **Special Offers**.



The high-quality product is engineered for optimal performance. If you have any questions on the product, please contact us: aftersales@dreame.tech.

Contents

EN	User Manual	001
DE	Benutzerhandbuch	020
FR	Manuel d'utilisation	040
IT	Manuale utente	059
ES	Manual de usuario	078
RU	РУКОВОДСТВО ПОЛЬЗОВАТЕЛЯ	097
NL	Gebruikershandleiding	116
KK	Пайдаланушы нұсқаулығы	135
TH	คู่มือการใช้งาน	154
VI	Hướng Dẫn Sử Dụng	173

Important Safety Instructions

Please read this manual carefully before use and retain it for future reference. When using an electrical appliance, basic precautions should always be followed, including the following:

READ ALL INSTRUCTIONS BEFORE USING (THIS APPLIANCE). Failure to follow the warnings and instructions may result in electric shock, fire and/or serious injury.

WARNING — To reduce the risk of fire, electric shock, or injury:

Usage Restrictions

- This appliance should not be used by children younger than 8 years old nor persons with physical, sensory, intellectual deficiencies, or limited experience or knowledge without the supervision of a parent or guardian to ensure safe operation and to avoid any risks. Cleaning and maintenance shall not be performed by children without supervision.
- Plastic film can be dangerous. To avoid the danger of suffocation, keep it away from children.
- Children shall not play with the appliance.
- Use indoors only, on non-carpeted floor surfaces such as vinyl, tile, sealed wood, etc. Be careful not to run over loose objects or the edges of area rugs. Stalling the brush may result in premature belt failure.
- Use only as described in this user guide. Use only manufacturer's recommended attachments.
- Do not expose the appliance to fire or excessive temperature. Exposure to fire or excessive temperature may cause an explosion.
- Do not use in extremely hot or cold environments (below 5°C / 41°F or above 40°C / 104°F). Please charge the appliance in temperature above 5°C / 41°F and below 40°C / 104°F.
- Do not immerse the appliance in liquid.
- Do not use to pick up flammable or combustible liquids, such as gasoline. Do not use in areas where flammable or combustible liquids may be present.
- Do not put any object into openings. Do not use the appliance when any opening is blocked. Keep free of dust, lint, hair, and anything that may inhibit air flow.
- Do not pick up toxic material (chlorine bleach, ammonia, drain cleaner, etc.). Do not pick up hard or sharp objects such as glass, nails, screws, coins, etc.
- Do not use the appliance in an enclosed space filled with vapor given off by oil-based paint, paint thinner, some moth-proofing substances, flammable dust, or other explosive or toxic vapour. Do not pick up anything that is burning or smoking, such as cigarettes, matches or hot ashes.
- Do not use the appliance without filters in place.
- Keep hair, loose clothing, fingers, and all parts of the body away from openings and moving parts of the appliance and its accessories.
- Keep ground cables away from the appliance when using it. A hazard may occur if the appliance runs over a supply cord.
- Use extra care when cleaning on stairs.

Important Safety Instructions

Maintenance and Storage

- Prevent unintentional starting. Ensure the switch is in the OFF-position before picking up or carrying the appliance. Carrying the appliance with your finger on the switch or turning on the appliance may result in an accident.
- Ensure that the appliance is placed on a horizontal surface. Do not use the appliance at the same position if the appliance is equipped with a brush roller and the handle is not completely upright. Do not store the appliance in a place where it may freeze.
- Switch off and unplug the appliance when not in use, before cleaning, maintaining or servicing it, and before connecting or disconnecting it with a moving brush.
- Do not use an appliance that is damaged or modified. A damaged or modified appliance may exhibit unpredictable behavior resulting in fire, explosion, or risk of injury.
- Do not modify or attempt to repair the appliance except as indicated in the instructions for use and care.
- Do not use the appliance with a damaged attachment (eg: charging base, supply cord etc.). If the appliance or attachment has been dropped, damaged, left outdoors, dropped into water, or is not working as it should, never attempt to operate it. Please have it repaired at an authorized service center.
- Have servicing performed by a qualified repair person using only identical replacement parts. This will ensure that the safety of the appliance is maintained.
- If the supply cord is damaged, it must be replaced by the manufacturer, its service agent or similarly qualified persons in order to avoid a hazard.

Battery and Charging

- For the purpose of recharging the appliance, only use the charging base provided with this appliance. Use only with HCBC charging base.
- Follow all charging instructions and do not charge the appliance outside of the temperature range specified in the battery as doing so increases the risk of fire.
- Charging base is equipped with drying function and only suitable for drying this appliance's brush.
- Keep the charging base cable away from heated surfaces. Do not handle the charging base plug or appliance with wet hands. To unplug, grasp the charging base plug, rather than the cable.
- Do not pull or carry charging base by cable, use cable as a handle, close door on cable, or pull cable around sharp edges or corners.
- This appliance contains batteries that can only be replaced by qualified technicians or after-sales service.
- The lithium-ion battery pack contains substances that are hazardous to the environment. Before disposing of the appliance, please first remove the battery pack, then discard, or recycle it in accordance with local laws and regulations of the country or region it is used in.
- The appliance must be disconnected from the power supply when removing the battery. Keep batteries out of the reach of children. Never put batteries in mouth. If swallowed, contact your physician or local poison control.
- Under abusive conditions, never contact the battery from which the liquid may be ejected. If contact accidentally occurs, rinse with water. If liquid contacts eyes, seek medical help immediately. Liquid ejected from the battery may cause irritation or burns.
- Do not use any non-rechargeable battery pack. Failing to do so may cause the lithium-ion battery to catch fire.

Important Safety Instructions

Symbols



Class II equipment



Time-lag miniature fuse-link where T 3.15A is the symbol for the time/current characteristic

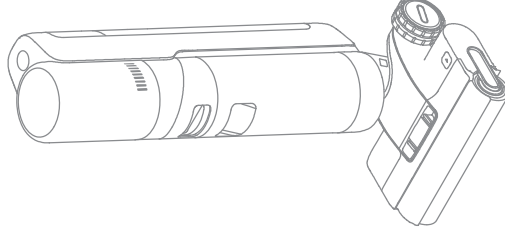


WEEE Information

All products bearing this symbol are waste electrical and electronic equipment (WEEE as in directive 2012/19/EU) which should not be mixed with unsorted household waste. Instead, you should protect human health and the environment by handing over your waste equipment to a designated collection point for the recycling of waste electrical and electronic equipment, appointed by the government or local authorities. Correct disposal and recycling will help prevent potential negative consequences to the environment and human health. Please contact the installer or local authorities for more information about the location as well as terms and conditions of such collection points.

Product Overview

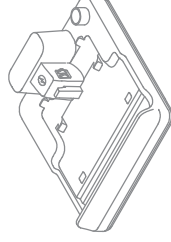
Packing List



Main Body



Handle



Charging Base



Spare Brush Roller



Solid Waste Filter Basket



Replacement Filter



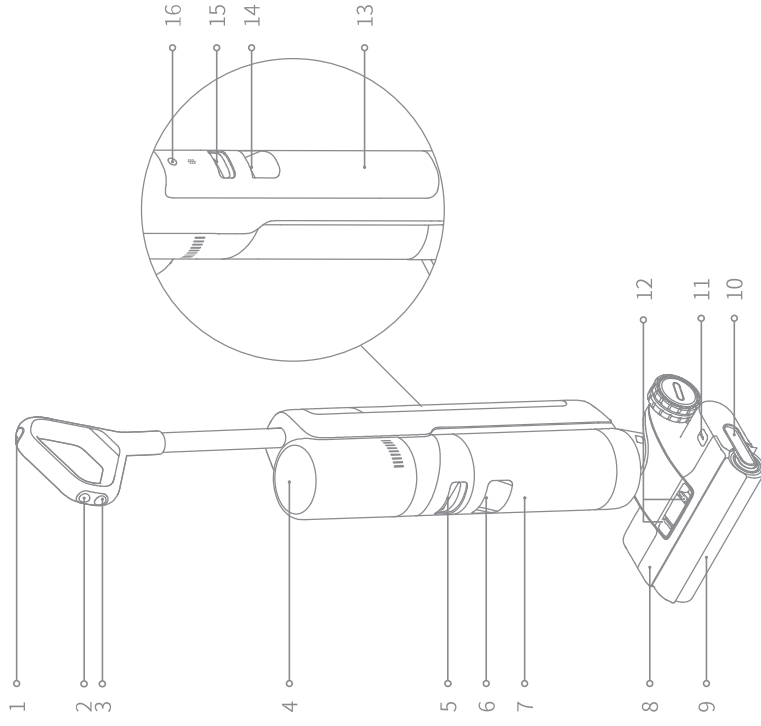
Cleaning Brush

We, Dreame Trading (Tianjin) Co., Ltd., hereby declares that this equipment is in compliance with the applicable Directives, European Norms, and amendments. The full text of the EU declaration of conformity is available at the following internet address: <https://global.dreameotech.com>

For detailed e-manual, please go to <https://global.dreameotech.com/pages/user-manuals-and-faqs>

Product Overview

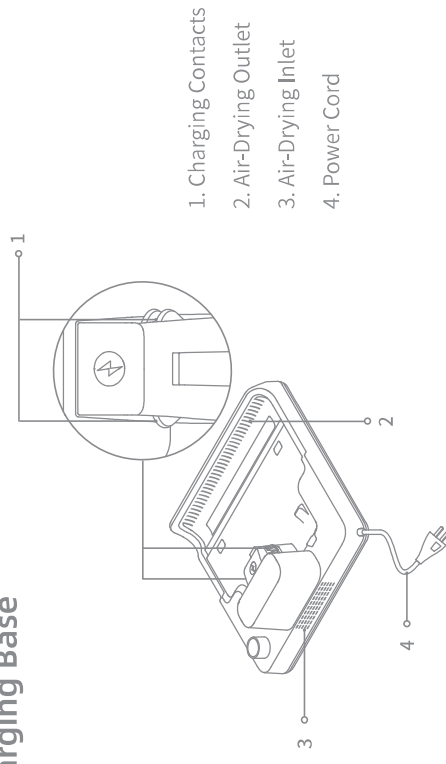
Wet and Dry Vacuum



1. Self-Cleaning Button
2. Mode Switch
3. Power Switch
4. Display Screen
5. Used Water Tank Release Button
6. Used Water Tank Handle
7. Used Water Tank
8. Brush Roller Cover
9. Brush Roller
10. Brush Roller Handle
11. Brush Roller Release Button
12. Brush Roller Cover Release Buttons
13. Clean Water Tank
14. Clean Water Tank Handle
15. Clean Water Tank Release Button
16. Voice Prompt Button
 - Press briefly to activate the voice prompt or adjust the volume.
 - Press and hold for 3 seconds to set the language. Press languages. Press and hold to confirm the selection.

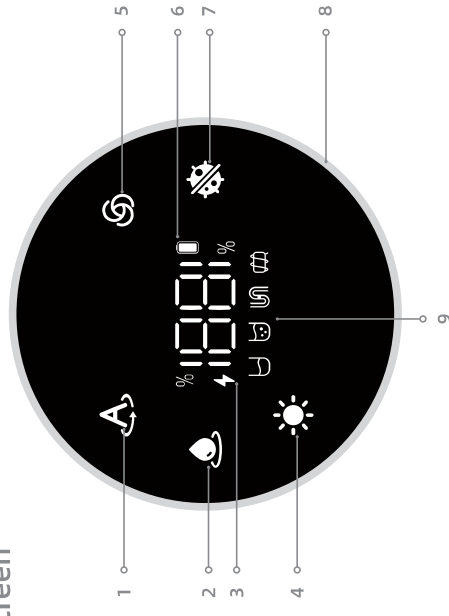
Product Overview

Charging Base



1. Charging Contacts
2. Air-Drying Outlet
3. Air-Drying Inlet
4. Power Cord

Display Screen



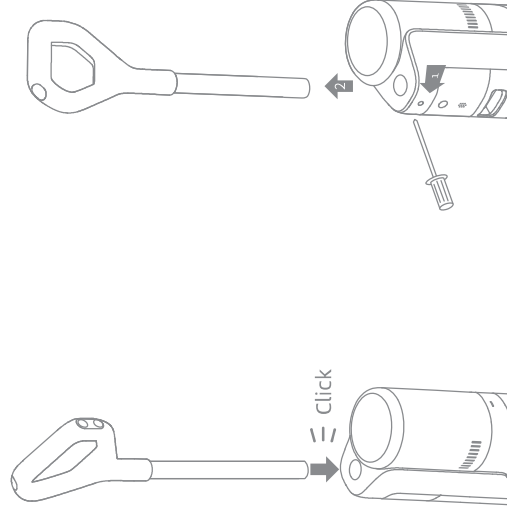
1. Auto Mode
2. Suction Mode
3. Charging Indicator
 - Breathing Orange: Battery level $\leq 20\%$
 - Breathing Green: Battery level $> 20\%$
4. Drying Mode
5. Turbo Mode
6. Low Battery Indicator
 - Solid Orange: Battery level $\leq 20\%$
 - Solid Green: Battery level $> 20\%$
7. Ultra Mode
8. Dust Concentration Indicator

The color of the curve changes with the amount of dust in real time.
9. Error Messages
 - Insufficient water in the Clean Water Tank
 - Used Water Tank full
 - Blocked tube
 - Brush roller stuck

Note: If the appliance is not working properly, the screen display will show an error message. Please refer to the troubleshooting table to find your solution.

Assembly and Disassembly of Handle

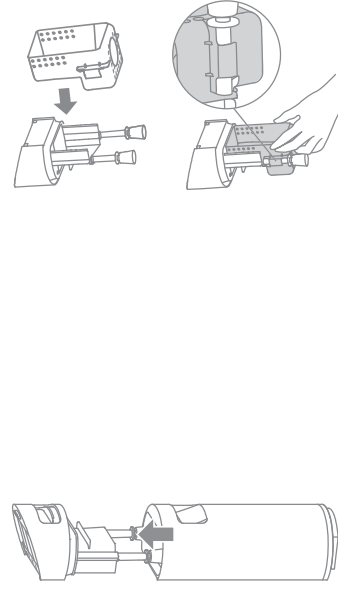
Insert the end of the handle vertically into the port on the top of the appliance as indicated until you hear a click.



Note: To disassemble, press the contacts in the hole on the back of the appliance with the appropriate tool and pull the handle upwards at the same time.

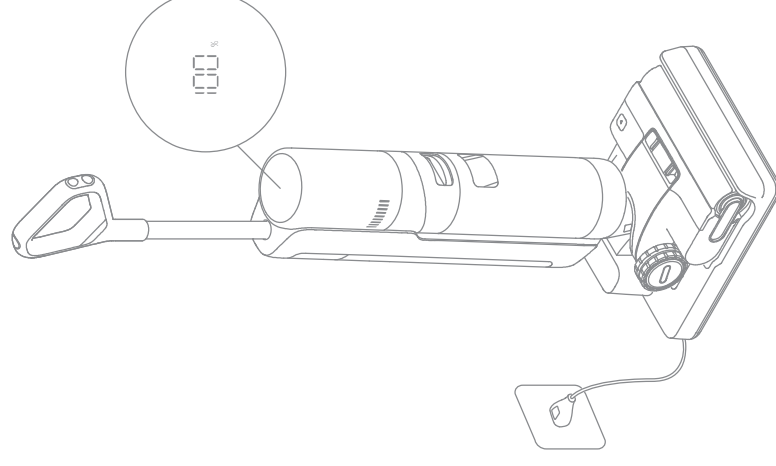
Installing the Solid Waste Filter Basket

Remove the used water tank and pull up the tank cover to install the solid waste filter basket.



Note: If the solid waste filter basket is not installed, other functions can operate normally except that the solid waste cannot be separated.

1. Place the charging base against a wall on level ground and connect it to a power source. Fully charge the appliance before first use.
2. Place the appliance on the charging base. When charging, the number on the display screen represents the current battery level as a percentage. When the number reaches 100, the battery is fully charged.



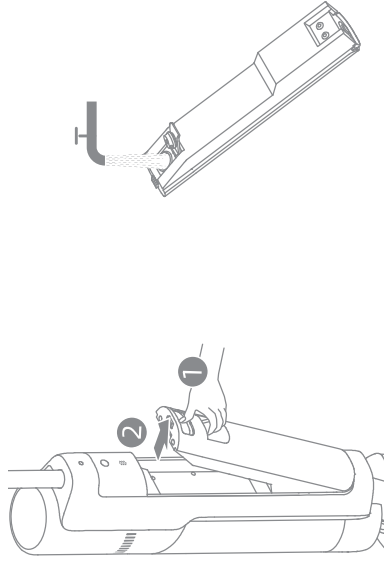
Note:

- If there is no operation within 10 minutes of being fully charged, the vacuum will enter sleep mode. Please restart the appliance if you need to use it.
- To extend the battery life time, the battery keeps cooling down for about one hour automatically after you have used the appliance for a long time.

How to Use

Filling the Clean Water Tank

Press the Clean Water Tank release button and pull the tank outwards to remove it. Remove the cover of the Clean Water Tank and fill the tank with clean water. Install the Clean Water Tank and ensure it clicks into place.

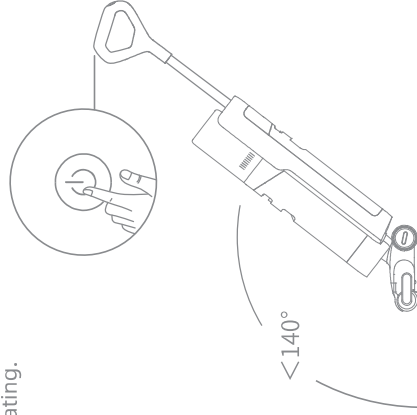


Note:

- For better cleaning performance, it is recommended to add 10ml detergent with the bottle cap into the full Clean Water Tank, then shake gently and evenly for use.
- Do not add any liquids other than the officially-approved cleaner. The cleaner can be available on the official online store.

Starting Cleaning

Gently step on the brush cover and recline the appliance backwards. Press the power switch  to start operating.



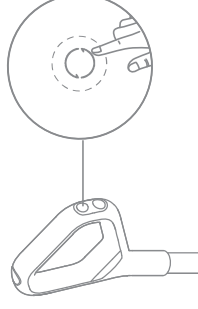
Note:

- Do not vacuum any foamy liquids.
- If the appliance is in the upright position while working, the current task will be suspended.
- The appliance is suitable for cleaning floors, marble, tiles and other hard surfaces.
- Please press the brush against the floor when using. Do not recline the appliance backwards more than 140° to prevent the appliance from leaking water.
- When the appliance is in operation, do not lift it off the ground, tilt it or lay it flat. Doing so may cause the used water to flow into the motor.



How to Use

Switching Modes

The appliance is powered on in auto mode by default, you can switch to the ultra mode-the suction mode-the turbo mode as needed.



Self-Cleaning with Hot Water

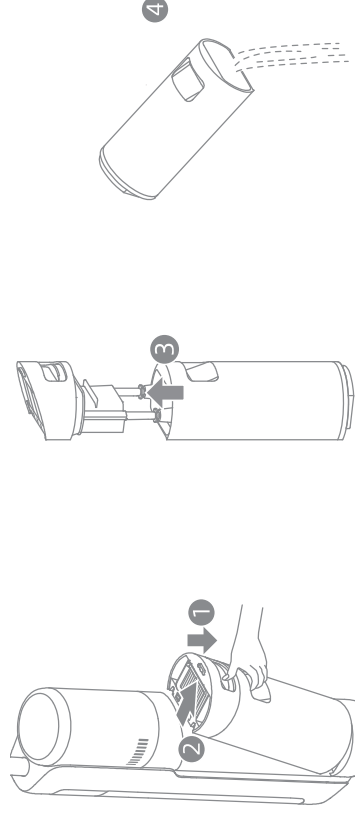
- Place the appliance back onto the base while you finish cleaning. Ensure that the water in the Clean Water Tank is sufficient for self-cleaning.
- Briefly press the self-cleaning button  on the top of the handle to start self-cleaning with hot water. Switch between self-cleaning modes according to the voice prompts.
- Please empty the Used Water Tank after self-cleaning is completed and drying mode has been engaged. Press the button  to exit the drying mode.

Note:

- The self-cleaning function can be enabled only when the appliance is being charged and the battery level is more than 15%.
- Do not touch the brush roller, hot water and the heating module on the charging base during the self-cleaning process.

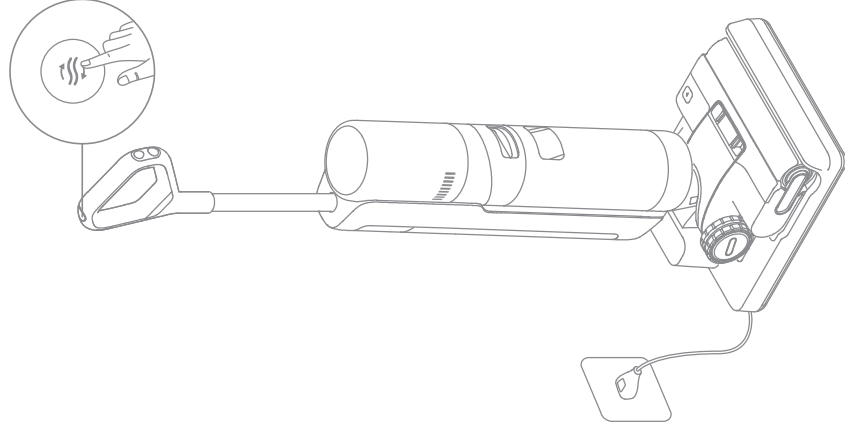
Empty the Used Water Tank

Press the used water tank release button to take out the tank. Pull up the tank cover and pour out the used water. Reinstall the tank cover and the tank before use.



Drying Mode

1. Press and hold self-cleaning button  for 3 seconds to activate drying mode.
2. The appliance will be charged once drying is completed.



Note:

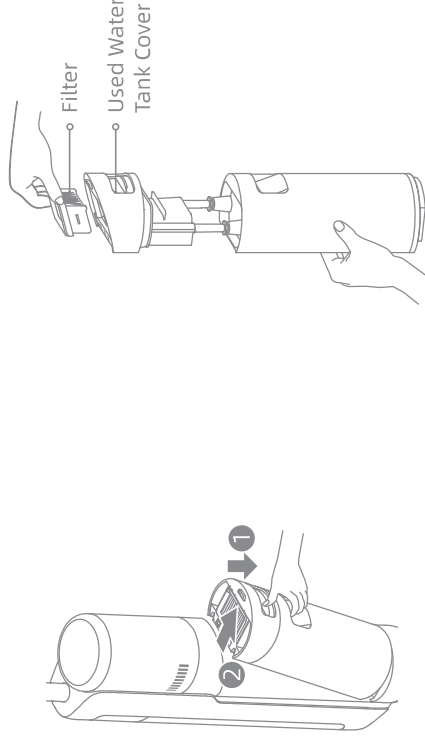
- After self-cleaning is complete, promptly clean the Used Water Tank. Clean the charging base if there are any stains left on the base.
- If cleaning the brush roller manually, please air-dry it thoroughly or dry it by using drying mode several times to ensure a good drying effect.

Tips:

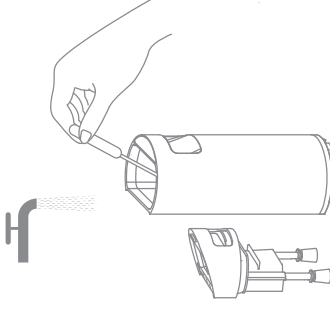
- Turn off the appliance before maintenance. Do not touch the power switch.
- Replace parts if needed. The parts must be replaced by those available from the manufacturer or its service agent.
- If the vacuum is not used for an extended period, fully charge it, unplug the power plug, and store the vacuum in a cool, low-humidity environment away from direct sunlight. To avoid over-discharge of the battery, charge the vacuum at least once every 3 months.

Cleaning the Used Water Tank and the Filter

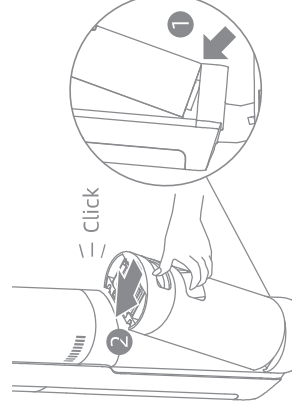
1. Press the Used Water Tank release button, and pull the Used Water Tank outwards to remove it.
2. Take out the filter from the Used Water Tank cover. Pull up the tank cover and pour out the waste water.



3. Rinse the Used Water Tank and the tank cover with water, and clean the inner wall of the tank with the provided cleaning brush.



4. Re-install the filter and the Used Water Tank cover. Then re-install the Used Water Tank until you hear a click.



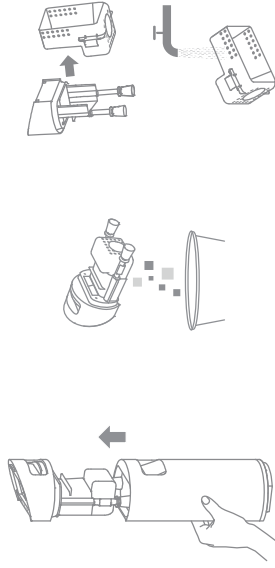
Note:

- If the filter is dirty, rinse it with clean water and dry it completely before use.
- Replacing the filter every 3 to 6 months is recommended.

Care & Maintenance

Cleaning the Solid Waste Filter Basket

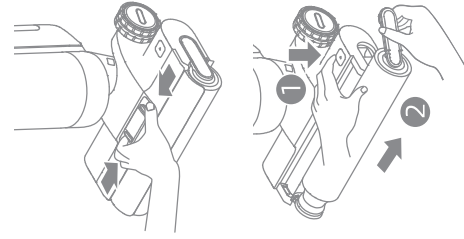
Remove the Used Water Tank and then pull up the tank cover. Separate the solid waste filter basket from the tank cover and clean it.



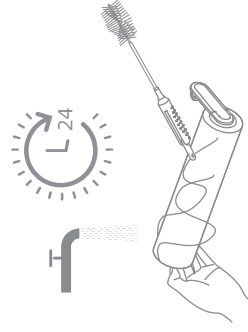
Note: If you do not need to use the solid waste filter basket, you can remove it.

Cleaning the Brush Assembly

1. First, press the brush roller cover release buttons on both sides to remove the brush roller cover. Press the brush roller release button, and the brush roller handle will pop out. Pull it to take out the brush roller.

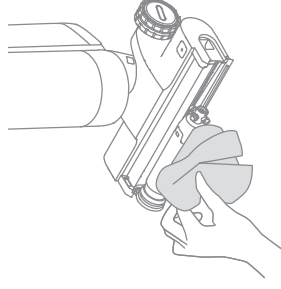


2. Clear any hair and debris caught on the brush roller with the provided cleaning brush. Rinse the brush roller with clean water and dry it completely.

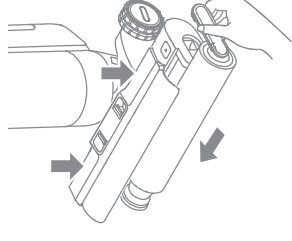


Care & Maintenance

3. Wipe the suction inlet with a dry cloth or wet tissue. Do not rinse the brush assembly with water.



4. Re-install the brush roller and the brush roller cover until you hear a click.

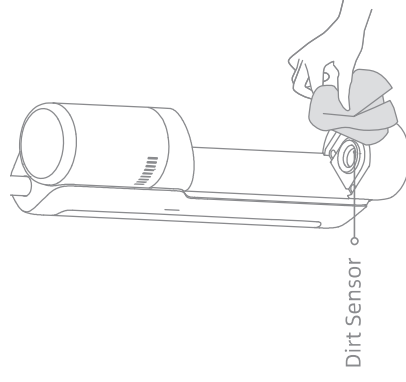


Note:

- Clean as needed. Alternating use of the two provided brush rollers is recommended.
- Replacing the brush roller every 3 to 6 months is recommended.

Cleaning the Tube and the Dirt Sensor

Remove the Used Water Tank, gently wipe the tube and the dirt sensor with a wet cloth before use.



Note: Do not rinse the tube or the dirt sensor.

Troubleshooting

If an error occurs, the appliance will stop working. Please refer to the following table for troubleshooting. If the problem persists, please contact customer service.

Error	Possible Cause	Solution
The appliance does not work	The appliance is out of battery or its battery level is low	Fully charge its battery before use
	The appliance is in the upright position	Recline the appliance backwards
	Blockage activated overheat protection mode	Clear the blockage and wait until the temperature returns normal
The appliance charges slowly	The Used Water Tank is full	Empty the Used Water Tank
	The parts are not properly installed	Ensure all parts are properly in place
The suction power of the appliance is weak	The temperature of the battery is too low or too high	Wait until the battery's temperature returns normal
	The filter is clogged	Cleaning the filter
The motor is making a strange noise	The suction inlet or tube is blocked by a foreign object	Clean the tube and the suction inlet
	There is too much used water in the Used Water Tank	Empty the Used Water Tank
The dust concentration indicator is solid red	The suction inlet is blocked	Clear any blockage in the suction inlet
	The dirt sensor needs cleaning	The dirt sensor is in the tube. Follow tube cleaning instructions
	The cleaning solution concentration is too high	Dilute the cleaning solution with water at the recommended ratio
The display screen does not light up while charging	A third-party cleaning solution caused a large amount of foam	Use only the officially-approved cleaning solution
	The charging base cable is not plugged into the electrical outlet	Make sure the charging base cable is plugged in
	The appliance is not placed onto the charging base properly	Make sure the appliance is placed onto the charging base properly

Troubleshooting

No water is coming out of the appliance	The Clean Water Tank is not properly installed in place, or the water in the Clean Water Tank is insufficient	Re-install or fill the Clean Water Tank
The vent leaks water	It takes 30 second to dampen the brush roller	Turn on the appliance and check again in 30 seconds
	A collision or a sharp pull causes water to enter the motor; Lift the appliance off the ground, tilt it or lay it flat	Move the appliance gently back and forth and press the brush against the floor when using
	The filter is not completely dry after being cleaned	Dry the filter completely before use
Self-cleaning fails	The brush roller may be jammed by large debris	Remove the brush roller cover to check and clean the brush roller
	The appliance is not placed onto the charging base properly	Make sure the appliance is being charged before self-cleaning
	Self-cleaning cannot be enabled if the battery level is lower than 15%	The self-cleaning function can only be enabled when the appliance is being charged and the battery level is more than 15%
	The Used Water Tank is not installed in place, or the Used Water Tank is full	Re-install or empty the Used Water Tank
	The Clean Water Tank is not installed in place, or the water in the Clean Water Tank is insufficient	Re-install or fill the Clean Water Tank
Poor drying performance or strange noise while drying	The air outlet and air inlet of the charging base may be blocked	Check and clear the blockage of air outlet and air inlet

For additional services, please contact us via aftersales@dreametech.com
 Website: <https://global.dreametech.com>

Error Prompts and Solutions

If the appliance is not working properly, the screen display will show an error message. Please refer to the troubleshooting table to find your solution.

Error Icon	Possible Cause	Solution
	Insufficient water in the Clean Water Tank	Fill the Clean Water Tank
	The Used Water Tank is full	Empty the Used Water Tank
	Brush roller stuck	Clean the brush roller with the provided cleaning brush
	Blocked tube	Check whether the filter is clogged. Alternatively, clean the tube and the dirt sensor
	The brush roller and tube are dirty	Place the appliance back onto the base for self-cleaning

Error Code	Possible Cause	Solution
E1-E7	Error	Restart the appliance for troubleshooting. If the problem persists, please contact customer service
H1-H6		
H7	Battery overheating	Wait until the battery's temperature returns normal

Specifications

Wet and Dry Vacuum			
Model	HHR27C	Charging Time	Approx. 4 hours (including drying)
		Drying time	Approx. 30 minutes
Rated Voltage	21.6 V ===	Charging Voltage	27 V ===
Rated Power	300 W	Used Water Tank Capacity	700 mL
		Clean Water Tank Capacity	900 mL
Charging Base			
Model	HCBC	Rated Input Power*	234 W
Rated Input	220-240 V ~50-60 Hz	Rated Output	27 V === 1.6 A

*The rated input power of the charging base is measured when the drying function and the charging function are turned on at the same time.

Battery Disposal and Removal

- The built-in lithium-ion battery contains substances that are hazardous to the environment. Before disposing of the battery, make sure the battery is removed by qualified technicians and discarded at an appropriate recycling facility.
- the battery must be removed from the appliance before it is scrapped;
 - the appliance must be disconnected from the supply mains when removing the battery;
 - the battery is to be disposed of safely.

Removal Guide

1. Remove the display screen by rotating it with a tool.
2. Remove the screws on the battery cover in turn and then pry open the cover with proper tools.
3. Unplug the terminals between the battery and PCB board to remove the battery.

CAUTION:

- Before removing the battery, disconnect the power and run out the battery as much as possible.
- Unneeded batteries should be discarded at an appropriate recycling facility.
- Do not expose to high temperature environment to avoid risks of explosion.
- Under abusive conditions, liquid may be ejected from the battery. If contact occurs, flush with water and seek medical help.

Wichtige Sicherheitshinweise

Bitte lesen Sie dieses Handbuch vor der Verwendung sorgfältig durch und bewahren Sie es zum späteren Nachschlagen auf.

Bei der Verwendung eines elektrischen Geräts sollten immer grundlegende Vorsichtsmaßnahmen beachtet werden, einschließlich der folgenden:

LESEN SIE ALLE ANWEISUNGEN, BEVOR SIE DIESES GERÄT VERWENDEN. Die Nichtbeachtung der Warnhinweise und Anweisungen kann zu einem elektrischen Schlag, Brand und/oder schweren Verletzungen führen.

WARNUNG - Um die Gefahr von Bränden, Stromschlägen oder Verletzungen zu verringern:

Nutzungsbeschränkungen

- Um einen sicheren Betrieb zu gewährleisten und Risiken zu vermeiden, darf dieses Produkt nicht von Kindern unter 8 Jahren, von Personen mit körperlichen, sensorischen oder geistigen Einschränkungen oder von Personen mit mangelnden Kenntnissen ohne Aufsicht eines Elternteils oder Vormunds verwendet werden. Kinder dürfen die Reinigung und Wartung nicht ohne Aufsicht durchführen.
- Kunststoffolie kann gefährlich sein. Um die Gefahr des Erstickens zu vermeiden, halten Sie sie von Kindern fern.
- Kinder dürfen nicht mit diesem Produkt spielen.
- Verwenden Sie das Gerät nur in Innenräumen, auf nicht mit Teppichboden versehenen Böden wie Vinyl, Fliesen, versiegeltem Holz usw. Achten Sie darauf, nicht über lose Gegenstände oder Kanten von Teppichen zu fahren. Ein Abwürgen der Bürste kann zu einem vorzeitigen Ausfall des Riemens führen.
- Verwenden Sie das Gerät nur wie in dieser Bedienungsanleitung beschrieben.
- Verwenden Sie nur das vom Hersteller empfohlene Zubehör.
- Setzen Sie das Gerät keinem Feuer oder übermäßigen Temperaturen aus. Die Exposition gegenüber Feuer oder übermäßige Temperatur kann eine Explosion verursachen.
- Nicht in extrem heißen oder kalten Umgebungen verwenden (unter 5°C /41°F oder über 40°C/104°F). Bitte laden Sie das Gerät bei Temperaturen über 5°C /41°F und unter 40°C/104°F auf.
- Tauchen Sie das Gerät nicht in Flüssigkeit.
- Dieses Gerät darf nicht verwendet, um brennbare oder leicht entzündliche Flüssigkeiten wie Benzin aufzunehmen. Dieses Gerät darf nicht in Bereichen verwendet werden, in denen brennbare oder leicht entzündliche Flüssigkeiten vorhanden sein können.
- Setzen Sie kein Objekt in die Öffnungen. Verwenden Sie das Gerät nicht, wenn die Öffnung blockiert ist. Halten Sie sich frei von Staub, Fusseln, Haaren und allem, was den Luftstrom behindern kann.
- Nehmen Sie kein giftiges Material auf (Chlorbleiche, Ammoniak, Abflussreiniger usw.). Heben Sie keine harten oder scharfen Gegenstände wie Glas, Nägel, Schrauben, Münzen usw. auf.
- Verwenden Sie das Gerät nicht in einem geschlossenen Raum, der mit Dämpfen gefüllt ist, die von ölhaltigen Farben, Farbverdünnern, einigen Mottenschutzmitteln, brennbarem Staub oder anderen explosiven oder giftigen Dämpfen abgegeben werden. Nehmen Sie keine brennenden oder rauchenden Gegenstände auf, wie z. B. Zigaretten, Streichhölzer oder heiße Asche.

Wichtige Sicherheitshinweise

- Verwenden Sie es nicht ohne eingesetzte Filter.
- Halten Sie Haare, lose Kleidung, Finger und alle Körperteile von den Öffnungen und beweglichen Teilen des Geräts und seines Zubehörs fern.
- Halten Sie Erdungskabel vom Gerät fern, da eine Gefahr auftreten kann, wenn das Gerät in Betrieb über ein Netzkabel läuft.
- Gehen Sie bei der Reinigung auf Treppen besonders vorsichtig vor.

Wartung und Lagerung

- Verhindern Sie ein unbeabsichtigtes Starten. Vergewissern Sie sich, dass der Schalter in der AUS-Stellung ist, bevor Sie das Gerät in die Hand nehmen oder tragen. Das Tragen des Geräts mit dem Finger auf dem Schalter oder auf dem stromführenden Gerät, das den Schalter eingeschaltet hat, trägt zu Unfällen bei.
- Stellen Sie sicher, dass das Gerät auf einer horizontalen Fläche steht. Verwenden Sie das Gerät nicht an der gleichen Stelle, wenn das Gerät mit einer Walzenbürste ausgestattet ist und der Griff nicht vollständig aufrecht steht. Lagern Sie das Gerät nicht an einem Ort, an dem es einfrieren kann.
- Schalten Sie das Gerät bei Nichtgebrauch vor dem Reinigen, Warten aus, oder bevor Sie es mit einer beweglichen Bürste anschließen oder trennen.
- Verwenden Sie kein Gerät, das beschädigt oder modifiziert ist. Beschädigte oder modifizierte Batterien können ein unvorhersehbares Verhalten zeigen, was zu Feuer, Explosion oder Verletzungsgefahr führen kann.
- Verändern Sie das Gerät nicht und versuchen Sie nicht, es zu reparieren, es sei denn, dies ist in der Gebrauchts- und Pflegeanleitung angegeben.
- Verwenden Sie das Gerät nicht mit einem beschädigten Aufsatz, z. B. Ladekabel usw. Wenn der Aufsatz beschädigt ist, muss es vom Hersteller, seinem Servicepartner oder ähnlichen qualifizierten Personen ersetzt werden, um Gefahren zu vermeiden.
- Lassen Sie die Wartung von einer qualifizierten Reparaturkraft durchführen, die nur identische Ersatzteile verwendet. Dadurch wird sichergestellt, dass die Sicherheit des Produkts erhalten bleibt.

Akku und Aufladen

- Zum Aufladen des Gerätes nur die mitgelieferte Ladestation verwenden. Nur mit HCBC-Ladestation verwenden.
- Befolgen Sie alle Ladeanweisungen und laden Sie das Gerät nicht außerhalb des in der Batterie angegebenen Temperaturbereichs auf, da dies die Brandgefahr erhöht.
- Die Ladestation ist mit einer Trocknungsfunktion ausgestattet und nur zum Trocknen der Bürste dieses Geräts geeignet.
- Halten Sie die Ladestation von beheizten Oberflächen fern. Fassen Sie den Stecker der Ladestation oder das Gerät nicht mit nassen Händen. Um den Netzstecker zu ziehen, greifen Sie nach dem Stecker der Ladestation und nicht nach dem Kabel.
- Ziehen oder tragen Sie Ladeaion nicht per Kabel, wobei Sie Kabel als Griff verwenden, Tür am Kabel schließen oder Kabel um scharfe Kanten oder Ecken ziehen.
- Dieses Produkt enthält Batterien, die nur durch qualifizierte Techniker oder Kundendienst ersetzt werden können.
- Der Lithium-On-Akku enthält umweltgefährdende Substanzen. Bevor Sie das Gerät entsorgen, entfernen Sie bitte zuerst den Batteriesatz, dann werfen Sie ihn oder recyceln Sie ihn gemäß den lokalen Gesetzen und Vorschriften des Landes oder der Region, in dem er verwendet wird.

Wichtige Sicherheitshinweise

- Das Gerät muss beim Entfernen der Batterie vom Netzteil getrennt werden. Wahren Sie die Batterien außerhalb der Reichweite von Kindern auf. Legen Sie niemals Batterien in den Mund. Wenn Sie verschluckt werden, wenden Sie sich an Ihren Arzt oder die örtliche Giftkontrolle.
- Kommen Sie unter missbräuchlichen Bedingungen niemals die Batterie in Berührung, aus der die Flüssigkeit ausgeworfen wird. Wenn die Berührung versehentlich auftritt, spülen Sie mit Wasser ab. Wenn die Flüssigkeit mit den Augen in Berührung kommt, suchen Sie sofort ärztliche Hilfe auf. Die aus der Batterie ausgestoßene Flüssigkeit kann Reizungen oder Verbrennungen verursachen.
- Benutzen Sie keine nicht wiederaufladbaren Batterien. Bei Nichtbeachtung kann der Lithium-Ionen-Akku in Brand geraten.

Symbole



Gerät der Klasse II



Zeitverzögerung Miniatur Sicherungseinsatz

wobei T 3,15A das Symbol für die Zeit/Strom-Kennlinien ist

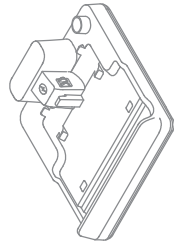


WEEE-Informationen

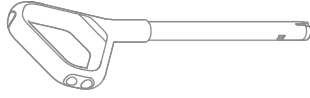
Alle mit diesem Symbol gekennzeichneten Produkte sind Elektroschrott und Elektrogeräte (WEEE entsprechend EU-Richtlinie 2012/19/EU) und dürfen nicht mit unsortiertem Haushaltsmüll vermischt werden. Schützen Sie stattdessen Ihre Mitmenschen und die Umwelt, indem Sie Ihre zu entsorgenden Geräte an eine dafür vorgesehene, von der Regierung oder einer lokalen Behörde eingerichtete Sammelstelle zum Recycling von Elektroschrott und Elektrogeräten bringen. Eine ordnungsgemäße Entsorgung und Recycling helfen, negative Auswirkungen auf die Gesundheit von Umwelt und Menschen zu vermeiden. Wenden Sie sich bitte an den Installateur oder lokale Behörden, um Informationen zum Standort und den allgemeinen Geschäftsbedingungen solcher Sammelstellen zu erhalten.

Wir, Dreame Trading (Tianjin) Co., Ltd., bestätigen hiermit, dass dieses Gerät mit den geltenden Verordnungen und europäischen Normen sowie etwaigen Ergänzungen in Einklang steht. Der vollständige Wortlaut der EU-Konformitätserklärung ist unter der folgenden Internetadresse abrufbar: <https://global.dreamtech.com>. Ein detailliertes elektronisches Handbuch finden Sie unter <https://global.dreamtech.com/pages/user-manuals-and-faqs>.

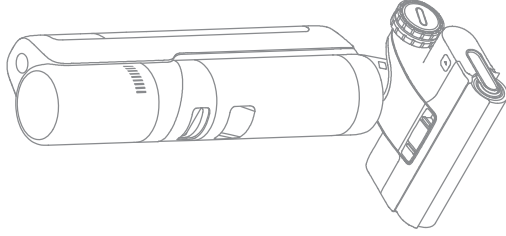
Packliste



Ladestation



Handgriff



Hauptkörper



Ersatzfilter



Schmutzfilterkorb

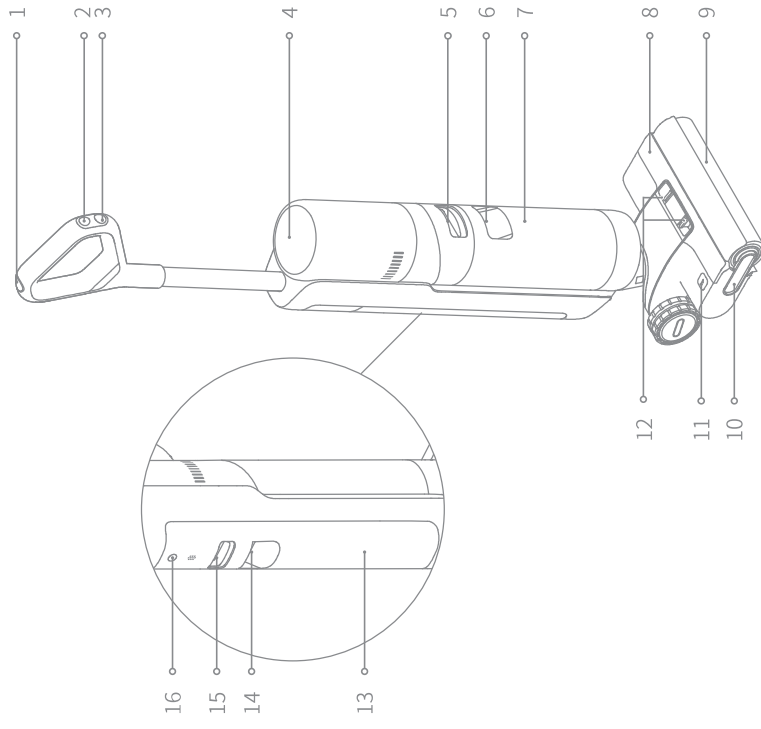


Ersatzwalzenbürste



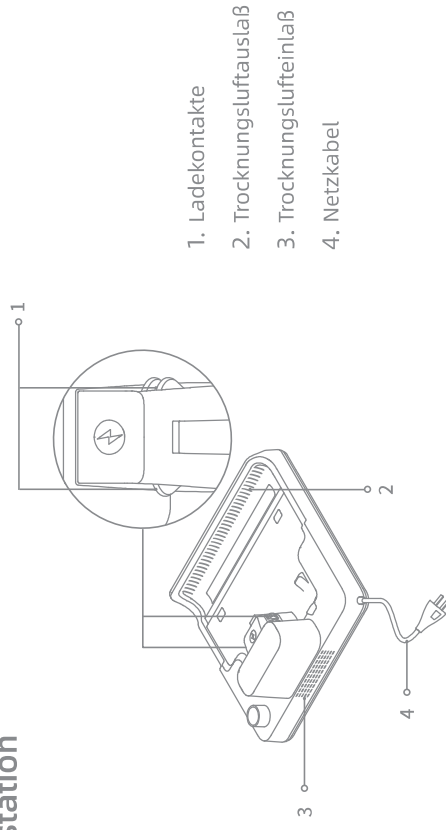
Reinigungsbürste

Nass-Trockensauger



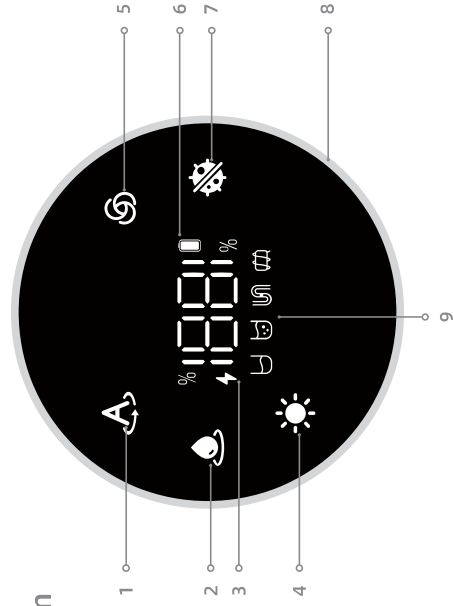
- 1. Selbstreinigungstaste
- 2. Moduswechsler
- 3. Netzschalter
- 4. Bildschirm
- 5. Entriegelungstaste für Schmutzwassertank
- 6. Griff für Schmutzwassertank
- 7. Schmutzwassertank
- 8. Bürstenrolleabdeckung
- 9. Bürstenrolle
- 10. Bürstenrollengriff
- 11. Entriegelungstaste für Bürstenrolle
- 12. Entriegelungstaste für Bürstenrolleabdeckung
- 13. Reinwassertank
- 14. Griff für den Reinwassertank
- 15. Entriegelungstaste für den Reinwassertank
- 16. Taste für die Sprachansage
 - Kurz drücken, um die Sprachansage zu aktivieren oder die Lautstärke einzustellen
 - 3 Sekunden lang gedrückt halten, um auf die Spracheinstellungen zuzugreifen. Drücken, um zwischen den Sprachen zu wechseln. Gedrückt halten, um die Auswahl zu bestätigen

Ladestation



1. Ladekontakte
2. Trocknungsluftauslaß
3. Trocknungslufteinlaß
4. Netzkabel

Bildschirm



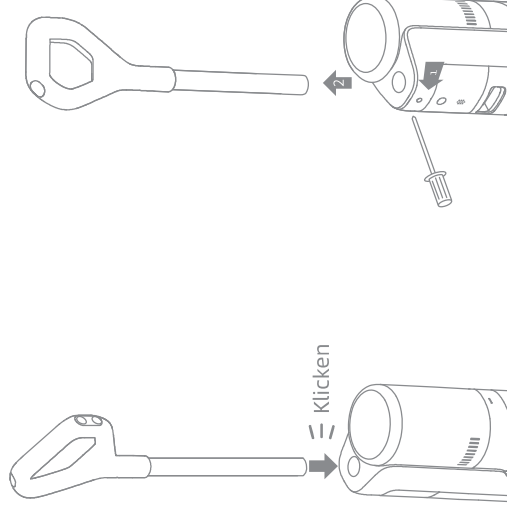
1. Auto Mode
2. Saugmodus
3. Ladeanzeige
 - Leuchtend orange: Akkustand \leq 20 %
 - Leuchtend grün: Akkustand $>$ 20 %
 - Hauchend grün: Akkustand $>$ 20 %
4. Trocknungsmodus
5. Turbo-Modus
6. Niedrige Batterieanzeige
 - Leuchtet orange: Akkustand \leq 20 %
 - Leuchtet grün: Akkustand $>$ 20 %
7. Ultra-Modus
8. Staubkonzentrationsanzeige
Die Farbe verändert sich mit dem Staubgehalt in Echtzeit
9. Fehlermeldungen
 - Zu wenig Wasser im Reinwassertank
 - Der Schmutzwassertank ist voll
 - Blockierte Röhre
 - Die Bürstenrolle gesteckt

Hinweis: Wenn das Gerät nicht ordnungsgemäß funktioniert, wird auf dem Bildschirm eine Fehlermeldung angezeigt. Bitte lesen Sie den Abschnitt über Fehlermeldungen und Lösungen, um Ihre Lösung zu finden.

Installation

Montage und Demontage des Griffs

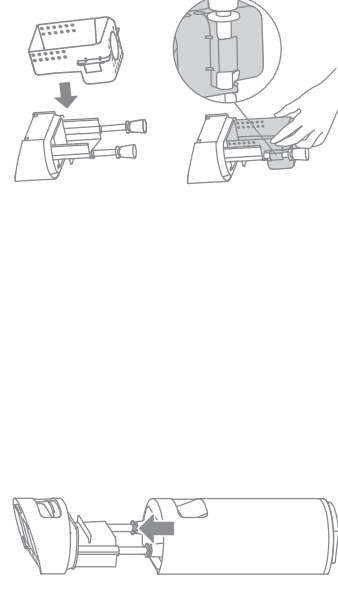
Stecken Sie das Griffende senkrecht in die Öffnung an der Oberseite des Geräts, wie angegeben, bis Sie ein Klickgeräusch hören.



Hinweis: Um den Griff zu demontieren, verwenden Sie bitte einen harten Gegenstand, um in das Loch auf der Rückseite des Geräts zu greifen, um den Kontakt zu drücken, und ziehen Sie gleichzeitig den Griff nach oben.

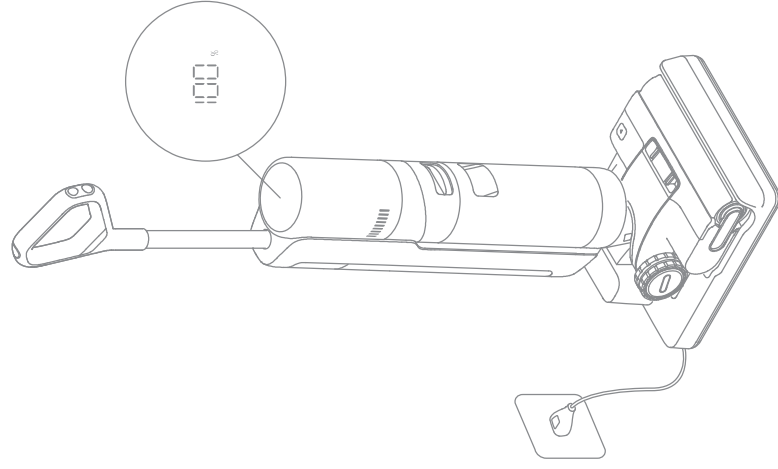
Einsetzen des Schmutzfilterkorbs

Entfernen Sie den Schmutzwassertank und ziehen Sie den Tankdeckel hoch, um den Schmutzfilterkorb zu installieren.



Hinweis: Wenn der Schmutzfilterkorb nicht installiert ist, können alle anderen Funktionen normal ausgeführt werden, der Schmutz kann jedoch nicht getrennt werden.

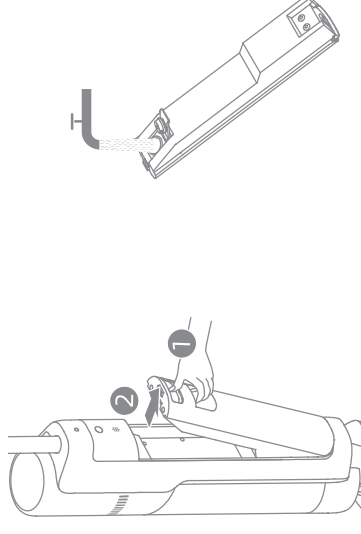
1. Stellen Sie die Ladestation gegen eine Wand auf dem Boden und schließen Sie sie an eine Stromquelle an. Laden Sie das Gerät vor dem ersten Gebrauch vollständig auf.
2. Stellen Sie das Gerät auf die Ladestation. Wenn die Sprachansage "Ladevorgang starten" angezeigt wird, aktiviert das Gerät den Lademodus. Beim Laden stellt die Nummer auf dem Display den aktuellen Batteriestand in Prozent dar. Wenn die Zahl 100 erreicht, ist der Akku vollständig aufgeladen.

**Hinweis:**

- Wenn innerhalb von 10 Minuten nach dem vollständigen Aufladen kein Betrieb erfolgt, wechselt das Vakuum in den Schlafmodus. Bitte starten Sie das Gerät neu, wenn Sie es verwenden müssen.
- Um die Akkulaufzeit zu verlängern, kühlt der Akku nach längerer Benutzung des Gerätes automatisch etwa eine Stunde lang ab.

Verwendung**Reinwassertank befüllen**

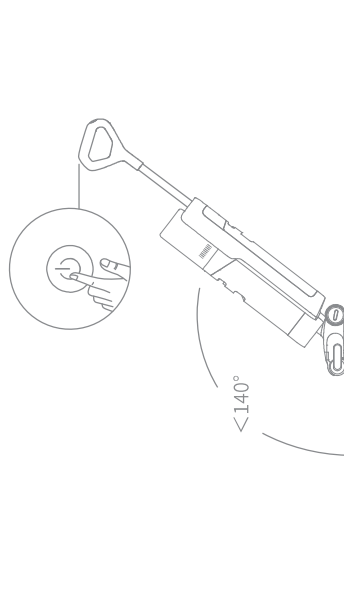
Drücken Sie die Entriegelungstaste, um den Tank zu entfernen. Öffnen Sie den Tankdeckel und füllen Sie den Tank mit sauberem Wasser. Installieren Sie den Reinwassertank erneut und stellen Sie sicher, dass er einrastet.

**Hinweis:**

- Für eine bessere Reinigungsleistung wird empfohlen, 10 ml Reinigungsmittel mit dem Flaschenverschluss in den vollen Reinwassertank zu geben und dann sanft und gleichmäßig für die Verwendung zu schütteln.
- Keine anderen Flüssigkeiten als den offiziell zugelassenen Reinigungsmittel hinzufügen. Die Reinigungsmittel kann im offiziellen Online-Shop erhältlich sein.

Starten Sie die Reinigung

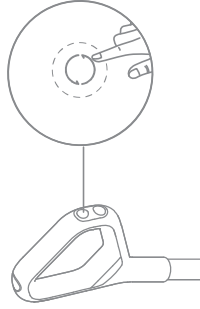
Treten Sie sanft auf die Bürstenabdeckung und kippen Sie das Gerät nach hinten. Drücken Sie den Netzschalter , um das Gerät zu starten.

**Hinweis:**

- Verwenden Sie es nicht, um schäumende Flüssigkeiten zu saugen.
- Wenn sich das Gerät während der Arbeit in aufrechter Position befindet, wird die aktuelle Aufgabe unterbrochen.
- Das Gerät eignet sich zur Reinigung von Böden, Marmor, Fliesen und anderen harten Oberflächen.
- Bitte drücken Sie die Bürste beim Gebrauch gegen den Boden. Stellen Sie das Gerät nicht mehr als 140° nach hinten, um zu verhindern, dass Wasser austritt.
- Wenn das Gerät in Betrieb ist, sollte es nicht vom Boden angehoben, gekippt oder flach hingelegt werden. Andernfalls kann das Schmutzwasser in den Motor gelangen.

Wechseln des Modus

Das Gerät ist standardmäßig im Automatikmodus eingeschaltet. Bei Bedarf können Sie in den Ultramodus - Saugmodus - Turbomodus wechseln.

**Selbstreinigung mit heißem Wasser**

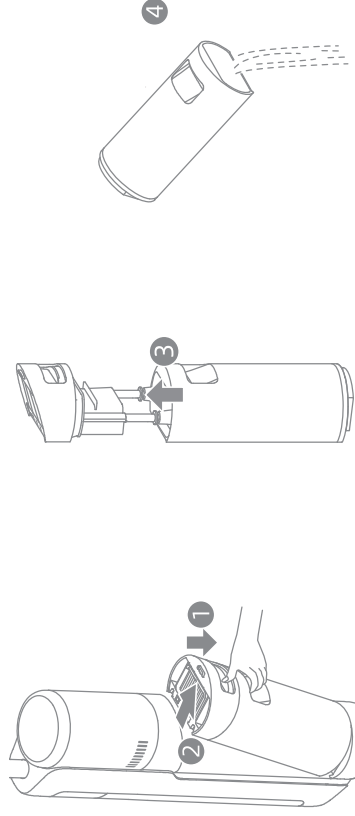
1. Nachdem das Gerät die Reinigungsaufgabe abgeschlossen hat, stellen Sie es wieder auf den Boden und stellen Sie sicher, dass das Wasser im Reinwassertank für die Selbstreinigung ausreicht.
2. Drücken Sie kurz die Selbstreinigungstaste oben auf dem Griff, um die Selbstreinigung mit heißem Wasser zu starten. Sie können zwischen den Selbstreinigungsmodi nach den Sprachanweisungen umschalten.
3. Bitte leeren Sie den Schmutzwassertank, nachdem die Selbstreinigung abgeschlossen ist und der Trocknungsmodus aktiviert wurde. Drücken Sie die Taste , um den Trocknungsmodus zu beenden.

Hinweis:

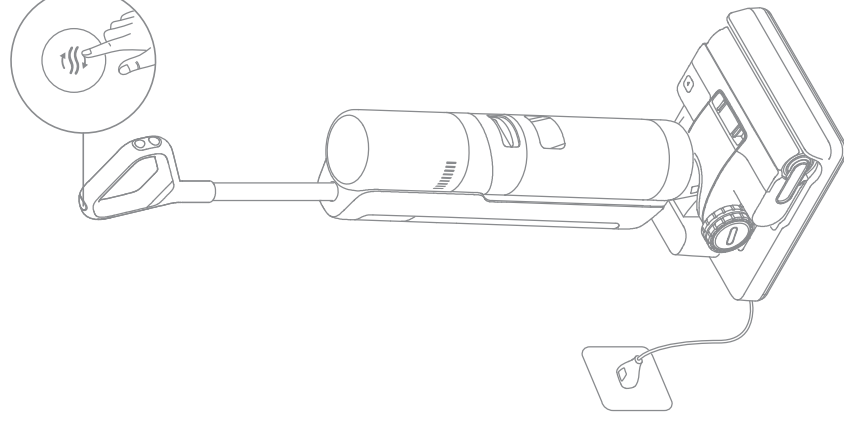
- Die Selbstreinigungsfunktion kann nur aktiviert werden, wenn das Gerät beim Aufladen ist und der Batteriestand mehr als 15% beträgt.
- Berühren Sie während des Selbstreinigungsvorgangs nicht die Bürstenwalze, das heiße Wasser und das Heizmodul an der Ladestation.

Leeren Sie den Schmutzwassertank

Drücken Sie die Entriegelungstaste für den Schmutzwassertank, um den Tank herauszunehmen. Ziehen Sie den Tankdeckel hoch und schütten Sie das Schmutzwasser aus. Bringen Sie den Tankdeckel und den Wassertank vor der Benutzung wieder an.

**Trocknungsmodus**

1. Die Taste für Selbstreinigung 3 Sekunden lang gedrückt halten, um den Trocknungsmodus zu aktivieren
2. Das Gerät wird nach dem Trocknen aufgeladen.

**Hinweis:**

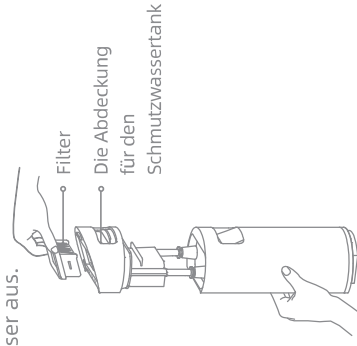
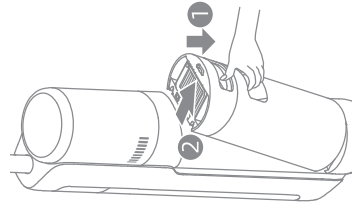
- Reinigen Sie die Ladestation, wenn nach der Selbstreinigung Flecken auf der Ladestation zurückbleiben.
- Wenn Sie die Bürstenrolle manuell reinigen, trocknen Sie sie bitte gründlich an der Luft oder trocknen Sie sie mehrmals im Trocknungsmodus.

Tipps:

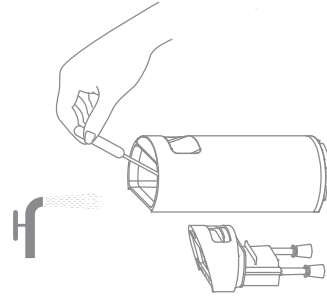
- Schalten Sie das Gerät vor der Wartung aus. Berühren Sie den Netzschalter nicht.
- Teile müssen bei Bedarf ausgetauscht werden, bitte verwenden Sie die vom Originalwerk vorgesehenen Teile, um Schäden am Produkt aufgrund von Ungeeignetheit zu vermeiden.
- Wenn das Gerät längere Zeit nicht verwendet wird, laden Sie es vollständig auf, ziehen Sie den Netzstecker ab und lagern Sie das Gerät in einer kühlen Umgebung mit geringer Luftfeuchtigkeit, fern von direkter Sonneneinstrahlung. Um das übermäßige Entladen des Akkus zu vermeiden, laden Sie das Gerät mindestens alle 3 Monate auf.

Den Schmutzwassertank und Filter reinigen

1. Drücken Sie die Schmutzwassertank-Entriegelungstaste und nehmen Sie den Schmutzwassertank heraus.



3. Spülen Sie den Schmutzwassertank und den Tankdeckel mit Wasser aus, und reinigen Sie die Innenwand des Schmutzwassertanks mit der mitgelieferten Reinigungsbürste.

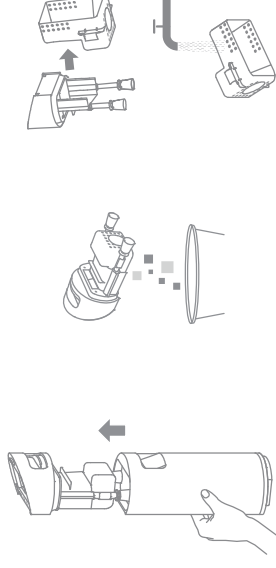


Hinweis:

- Wenn der Filter verschmutzt ist und gewaschen werden muss, spülen Sie ihn mit Wasser. Er muss vor Gebrauch vollständig trocken sein.
- Es wird empfohlen, den Filter alle 3 bis 6 Monate auszutauschen.

Reinigung des Schmutzfilterkorbs

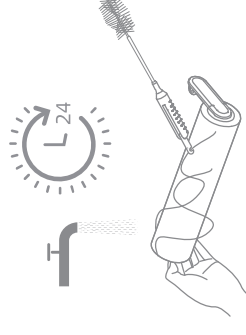
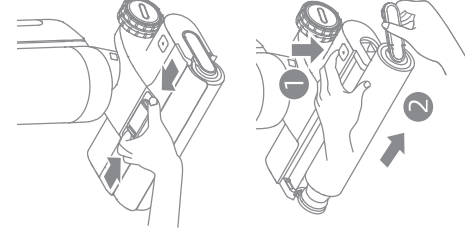
Nehmen Sie den Schmutzwassertank ab und ziehen Sie den Tankdeckel hoch. Entfernen Sie den Schmutzfilterkorb vom Tankdeckel und reinigen Sie ihn.



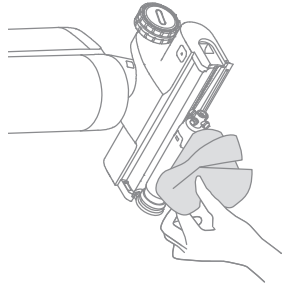
Hinweis: Wenn Sie den Schmutzfilterkorb nicht benötigen, können Sie ihn abnehmen.

Reinigung der Bürstenrolle-Aufsätze

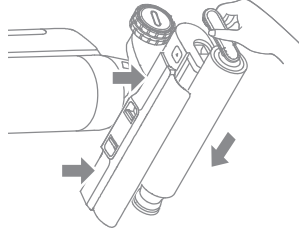
1. Drücken Sie zuerst die Entriegelungstaste der Bürstenrolleabdeckung auf beiden Seiten nach innen, um die Deckel zu entfernen. Drücken Sie anschließend die Entriegelungstaste der Bürstenrolle, und ziehen Sie den Griff, um die Bürstenrolle herauszunehmen.
2. Entfernen Sie die Haare und Schmutz auf der Bürstenrolle mit der mitgelieferten Reinigungsbürste. Spülen Sie die Bürstenrolle mit sauberem Wasser. Trocknen Sie die Bürstenrolle gründlich an der Luft oder trocknen Sie sie, indem Sie den Trocknungsmodus mehrmals aktivieren.



3. Wischen Sie die Saugöffnung mit einem trockenen Tuch oder nassem Gewebe ab. Spülen Sie die Bürsten-Aufsätze nicht mit Wasser ab.



4. Nach dem Reinigen der Bürstenrolle installieren Sie wieder die Bürstenrolle und die Bürstenrolleabdeckung. Sie hören einen Klick, wobei es richtige installiert wird.

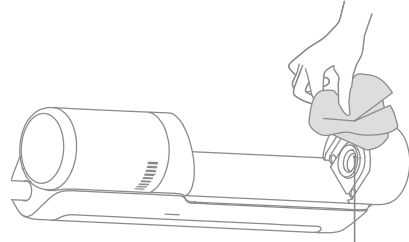


Hinweis:

- Nach Bedarf reinigen. Es wird empfohlen, die beiden mitgelieferten Bürstenrollen abwechselnd zu verwenden.
- Es wird empfohlen, die Bürstenrolle alle 3 bis 6 Monate auszutauschen.

Reinigung des Rohres und des Schmutzsensors

Entfernen Sie den Schmutzwassertank, wischen Sie das Rohr und den Schmutzsensor vor Gebrauch mit einem feuchten Tuch ab.



Schmutzsensor

Hinweis: Spülen Sie den Schlauch oder den Schmutzsensor nicht aus.

Fehleralarm





Wenn ein Fehler auftritt, wird das Gerät nicht mehr funktionieren. Bitte beachten Sie die folgende Tabelle zur Fehlerbehebung. Wenn das Problem weiterhin besteht, wenden Sie sich bitte an den Kundendienst.

Fehler	Mögliche Ursache	Lösung
Das Gerät funktioniert nicht.	Der Akku des Geräts ist leer oder der Akkustand ist niedrig.	Laden Sie den Akku vor dem Gebrauch vollständig auf.
	Das Gerät befindet sich in der aufrechten Position.	Stellen Sie das Gerät nach hinten.
	Blockierung aktiviert Überhitzungsschutz Modus.	Beseitigen Sie die Verstopfung und warten Sie, bis die Temperatur wieder normal ist.
	Der Schmutzwassertank ist voll.	Den Schmutzwassertank leeren.
Das Gerät wird langsam aufgeladen.	Die Teile sind nicht richtig installiert.	Vergewissern Sie sich, dass alle Teile richtig eingesetzt sind.
	Die Temperatur des Akkus ist zu niedrig oder zu hoch.	Warten Sie, bis die Batterietemperatur wieder normal ist.
Die Saugleistung des Gerätes ist niedrig.	Der Filter ist verstopft.	Den Filter reinigen.
	Der Saugeinlass oder das Rohr wird durch einen Fremdkörper blockiert.	Reinigen Sie das Rohr und die Saugöffnung.
Der Motor macht ein seltsames Geräusch.	Es gibt zu viel Schmutzwasser im Schmutzwassertank.	Leeren Sie den Schmutzwassertank.
	Die Hauptsaugöffnung ist blockiert.	Beseitigen Sie eventuelle Verstopfungen in der Hauptsaugöffnung.
Der Indikator der Schmutzkonzentration ist rot.	Der Schmutzsensor muss gereinigt werden.	Der Schmutzsensor befindet sich im Schlauch.
	Die Konzentration der Reinigungsmittel ist zu hoch.	Verdünnen Sie die Reinigungsmittel mit Wasser im empfohlenen Verhältnis.
	Eine Reinigungsmittel von Drittanbietern verursachte eine große Menge Schaum.	Verwenden Sie nur die offiziell zugelassenen Reinigungsmittel.
Die Akkustatusanzeige leuchtet während des Ladevorgangs nicht.	Der Ladestecker ist nicht richtig in die Steckdose eingesteckt.	Stellen Sie sicher, dass der Ladestecker richtig eingesteckt ist.
	Das Gerät wird nicht richtig an die Ladestation angeschlossen.	Stellen Sie sicher, dass das Gerät richtig auf der Ladestation platziert ist.

Es kommt kein Wasser aus dem Gerät.	Der Reinwassertank ist nicht an seinem Platz installiert oder der Reinwassertank ist leer.	Bauen Sie den Reinwassertank wieder ein oder füllen Sie ihn.
	Es dauert 30 Sekunden, um die Bürstenrolle zu befeuchten.	Schalten Sie das Gerät ein und überprüfen Sie es in 30 Sekunden erneut.
Wasseraustritt an der Oberseite des Schmutzwassertanks.	Durch einen Aufprall oder einen starken Zug kann Wasser in den Motor eindringen; Heben Sie das Gerät vom Boden ab, kippen Sie es oder legen Sie es flach hin.	Bewegen Sie das Gerät vorsichtig hin und her und drücken Sie die Bürste bei der Benutzung gegen den Boden.
	Der Filter ist nach der Reinigung nicht vollständig trocken.	Den Filter vor Gebrauch gründlich abtrocknen.
Selbstreinigung ist fehlergeschlagen.	Ein Gegenstand verklebt sich in der Bürstenrolle.	Öffnen Sie die Bürstenrolleabdeckung, um die Bürstenrolle zu überprüfen und zu reinigen.
	Das Gerät wird nicht richtig an die Ladestation angeschlossen.	Stellen Sie sicher, dass das Gerät beim Aufladen ist, bevor Sie die Selbstreinigungsfunktion aktivieren.
	Die Selbstreinigung kann nicht gestartet werden, wenn der Batteriezustand weniger als 15% beträgt.	Die Selbstreinigungsfunktion kann nur aktiviert werden, wenn das Gerät geladen ist und der Akkustand mehr als 15% beträgt.
	Der Schmutzwassertank ist nicht installiert oder der Schmutzwassertank ist voll.	Installieren oder leeren Sie den Schmutzwassertank.
Schlechte Trockenleistung oder ungewöhnliche Geräusche beim Trocknen.	Der Reinwassertank ist nicht an seinem Platz installiert oder der Reinwassertank ist leer.	Bauen Sie den Reinwassertank wieder ein oder füllen Sie ihn.
	Luftaustausch und Lufteinlass der Ladestation könnten vermutlich blockiert werden.	Verstopfung von Luftaustausch und Lufteinlass prüfen und beseitigen.

Für weitere Dienstleistungen kontaktieren Sie uns bitte über aftersales@dreame.tech
<https://global.dreame.tech.com>

Wenn irgendein Fehler bei der Verwendung des Produkts auftritt, wird der Bildschirm eine Fehlermeldung ausgeben. Sie sollten den Anweisungen auf dem Bildschirm folgen, um die normale Leistung sicherzustellen.

Fehler-Symbol	Mögliche Ursache	Lösungen
	Zu wenig Wasser im Reinwassertank	Füllen Sie den Reinwassertank.
	Der Schmutzwassertank ist voll	Leeren Sie den Schmutzwassertank.
	Die Bürstenrolle gesteckt	Reinigen Sie die Bürstenrolle mit der mitgelieferten Reinigungsbürste.
	Blockierte Röhre	Überprüfen Sie, ob der Filter verstopft ist. Alternativ reinigen Sie das Rohr und den Schmutzsensoren.
	Die Bürstenwalze und der Schlauch sind verschmutzt	Stellen Sie das Gerät zur Selbstreinigung wieder auf die Basis.
Fehlercode	Mögliche Ursache	Lösungen
E1-E7	Fehler	Wenn das Problem weiterhin besteht, wenden Sie sich bitte an den Kundendienst.
H1-H6		
H7	Batteriesfall	Warten Sie, bis die Temperatur der Batterie wieder normal ist, und setzen Sie dann das Gerät weiter in Einsatz.

Mass-Trockensauger		
Modell	HHR27C	ca. 4 Stunden (inkl. Trocknung)
		Ca. 30 Minuten
Nennspannung	21,6 V ---	27 V ---
Nennleistung	300 W	Kapazität des Schmutzwassertank
		700 mL
		Kapazität des Reinwassertank
		900 mL
Ladestation		
Modell	HCBC	Nenneingangsleistung*
		234 W
Nenneingang	220-240 V ~ 50-60 Hz	Nennausgang
		27 V --- 1,6 A

*Die Nenneingangsleistung der Ladestation wird bei gleichzeitigem Einschalten der Trockenfunktion und der Ladefunktion gemessen.

Die eingebaute Lithium-Ionen-Batterie enthält umweltgefährdende Substanzen. Stellen Sie vor der Entsorgung der Batterie sicher, dass die Batterie von qualifizierten Technikern entfernt und in einer geeigneten Recyclinganlage entsorgt wird.

- die Batterie muss vor dem Verschrotten aus dem Gerät entfernt werden;
- das Gerät muss beim Ausbau der Batterie vom Netz getrennt werden;
- die Batterie muss sicher entsorgt werden.

Anleitung zum Entfernen

1. Entfernen Sie den Bildschirm, indem Sie ihn mit einem Werkzeug drehen.
2. Entfernen Sie die Schrauben an der Batterieabdeckung und öffnen Sie die Abdeckung mit dem richtigen Werkzeug.
3. Ziehen Sie die Klemmen zwischen der Batterie und der Leiterplatte ab, um die Batterie zu entfernen.

ACHTUNG:

- Bevor Sie den Akku entfernen, trennen Sie die Stromversorgung und lassen Sie den Akku komplett leer laufen.
- Nicht benötigte Batterien sollten in einer geeigneten Recyclinganlage entsorgt werden.
- Lassen Sie den Akku nicht in einer Umgebung mit extrem hohen Temperaturen, um Explosionsrisiken zu vermeiden.
- Unter missbräuchlicher Verwendung kann Flüssigkeit aus der Batterie ausgestoßen werden. Wenn Sie aus Versehen anfassen, spülen Sie mit Wasser und suchen Sie medizinische Hilfe.

Entsorgung von Elektro- und Elektronikgeräten



Die durchgestrichene Mülltonne bedeutet, dass Sie gesetzlich verpflichtet sind, diese Geräte einer vom unsortierten Siedlungsabfall getrennten Erfassung zuzuführen. Die Entsorgung über die Restmülltonne oder die gelbe Tonne ist untersagt. Enthalten die Produkte Batterien oder Akkus, die nicht fest verbaut sind, müssen diese vor der Entsorgung entnommen und getrennt als Batterie entsorgt werden.

Möglichkeiten der Rückgabe von Altgeräten

Besitzer von Altgeräten können diese im Rahmen der durch öffentlich-rechtlichen Entsorgungsträger eingerichteten und zur Verfügung stehenden Möglichkeiten der Rückgabe oder Sammlung von Altgeräten abgeben, damit eine ordnungsgemäße Entsorgung der Altgeräte sichergestellt ist. Unter dem folgenden Link besteht die Möglichkeit, sich ein Onlineverzeichnis der Sammel- und Rücknahmestellen anzuzeigen zu lassen: <https://www.eaw-system.de/eaw-verzeichnis/sammel-und-ruecknahmestellen>.

Datenschutz

Wir weisen alle Endnutzer von Elektro- und Elektronikaltgeräten darauf hin, dass Sie für das Löschen personenbezogener Daten auf den zu entsorgenden Altgeräten selbst verantwortlich sind.

Consignes de sécurité importantes

Veuillez lire attentivement ce manuel avant l'utilisation et le conserver pour référence ultérieure.

Lors de l'utilisation d'un appareil électrique, des précautions de base doivent toujours être prises, notamment les suivantes :

LIRE TOUTES LES INSTRUCTIONS AVANT D'UTILISER (CET APPAREIL). Le non-respect des avertissements et des instructions peut entraîner un choc électrique, un incendie et/ou des blessures graves.

AVERTISSEMENT – Pour réduire les risques d'incendie, de choc électrique ou de blessure :

Restrictions d'Usage

- Cet appareil peut être utilisé par des enfants à partir de 8 ans et par des personnes ayant des capacités physiques, sensorielles ou mentales réduites ou un manque d'expérience et de connaissances à condition qu'elles aient été placées sous surveillance ou qu'elles aient reçu des instructions concernant l'utilisation de l'appareil en toute sécurité et qu'elles comprennent les dangers encourus.
- Le film plastique peut être dangereux. Pour éviter tout risque de suffocation, tenez-le à l'écart des enfants.
- Les enfants ne doivent pas jouer avec ce produit.
- N'utilisez l'appareil qu'à l'intérieur, sur des surfaces de sol non recouvertes de tapis, comme le vinyle, le carrelage, le bois scellé, etc. Veillez à ne pas rouler sur des objets non fixés ou sur les bords d'un tapis. Le fait de faire caler la brosse peut entraîner une défaillance prématurée de la courroie.
- N'utilisez que ce qui est décrit dans ce guide de l'utilisateur. N'utilisez que les accessoires recommandés par le fabricant.
- N'exposez pas l'appareil au feu ou à une température excessive. L'exposition au feu ou à une température excessive peut provoquer une explosion.
- Ne pas utiliser dans des environnements extrêmement chauds ou froids (en dessous de 5°C /41°F ou au-dessus de 40°C/104°F). Veuillez charger l'appareil dans une température supérieure à 5°C /41°F et inférieure à 40°C /104°F.
- Ne plongez pas l'appareil dans un liquide.
- Évitez d'utiliser cet appareil pour ramasser des liquides inflammables ou combustibles, comme l'essence. Évitez d'utiliser cet appareil dans des endroits où des liquides inflammables ou combustibles peuvent être présents.
- Ne placez aucun objet dans les ouvertures. N'utilisez pas l'appareil si l'une de ses ouvertures est obstruée ; veillez à ce qu'elle soit exempte de poussière, de peluches, de cheveux et de tout ce qui pourrait empêcher la circulation de l'air.
- Ne ramassez pas de produits toxiques (eau de javel, ammoniaque, nettoyant pour canalisations, etc.) Ne pas ramasser d'objets durs ou pointus tels que du verre, des clous, des vis, des pièces de monnaie, etc.
- N'utilisez pas l'appareil dans un espace clos rempli de vapeurs de peinture à l'huile, de diluant pour peinture, de certaines substances antimites, de poussières inflammables ou d'autres vapeurs explosives ou toxiques. Ne ramassez rien qui brûle ou qui fume, comme des cigarettes, des allumettes ou des cendres chaudes.

Consignes de sécurité importantes

- Ne l'utilisez pas si les filtres ne sont pas en place.
- Tenez les cheveux, les vêtements amples, les doigts et toutes les parties du corps éloignés des ouvertures et des parties mobiles de l'appareil et de ses accessoires.
- Éloignez les câbles de terre de l'appareil lorsque vous l'utilisez, car un danger peut se présenter si l'appareil passe sur un cordon d'alimentation.
- Faites très attention lorsque vous nettoyez les escaliers.

Entretien et Stockage

- Empêchez tout démarrage involontaire. Assurez-vous que l'interrupteur est en position OFF avant de prendre ou de transporter l'appareil. Porter l'appareil avec votre doigt sur l'interrupteur ou sur un appareil sous tension dont l'interrupteur est allumé peut provoquer des accidents.
- Assurez-vous que l'appareil est placé sur une surface horizontale. N'utilisez pas l'appareil dans la même position si l'appareil est équipé d'une brosse à rouleau et que la poignée n'est pas complètement verticale. Ne stockez pas l'appareil dans un endroit où il pourrait geler.
- Éteignez et débranchez l'appareil lorsqu'il n'est pas utilisé, avant de le nettoyer, de l'entretenir ou de le réparer, et avant de le connecter ou de le déconnecter avec une brosse en mouvement.
- N'utilisez pas d'appareil endommagé ou modifié. Les piles endommagées ou modifiées peuvent avoir un comportement imprévisible et provoquer un incendie, une explosion ou un risque de blessure.
- Ne modifiez pas ou n'essayez pas de réparer l'appareil sauf comme indiqué dans les instructions d'utilisation et d'entretien.
- N'utilisez pas l'appareil avec un accessoire endommagé (eg: Base de charge, Cordon d'alimentation etc.). Si l'accessoire est endommagé, il doit être remplacé par le fabricant, son agent de service ou des personnes qualifiées similaires afin d'éviter tout danger.
- Faites effectuer l'entretien par un réparateur qualifié utilisant uniquement des pièces de rechange identiques. Cela garantira que la sécurité du produit est maintenue.

Batterie et Charge

- Pour recharger l'appareil, utilisez uniquement la base de charge fourni avec l'appareil. Utilisez uniquement la base de charge HCBC.
- Suivez toutes les instructions de chargement et ne chargez pas l'appareil en dehors de la plage de température spécifiée dans la batterie, car cela augmente le risque d'incendie.
- La base de chargement est équipée d'une fonction de séchage et ne convient que pour sécher la brosse de cet appareil.
- Maintenez le câble de la base de charge à l'écart des surfaces chauffées. Ne manipulez pas la fiche de la base de charge ou l'appareil avec des mains mouillées. Pour débrancher l'appareil, saisissez la fiche de la base de charge plutôt que le câble.
- Ne tirez pas ou ne transportez pas la base de charge par le câble, n'utilisez pas le câble comme une poignée, ne fermez pas la porte sur le câble et ne tirez pas le câble autour de bords ou de coins aigus.
- Ce produit contient des batteries qui ne peuvent être remplacées que par des techniciens qualifiés ou par le service après-vente.

Important Safety Instructions

- Le bloc-piles au lithium contient des substances dangereuses pour l'environnement. Avant de mettre l'appareil au rebut, veuillez d'abord retirer le bloc-piles, puis le mettre au rebut ou le recycler conformément aux lois et réglementations locales du pays ou de la région où il est utilisé.
- L'appareil doit être débranché de l'alimentation électrique lors du retrait de la batterie. Gardez les piles hors de portée des enfants. Ne mettez jamais les piles dans la bouche. En cas d'ingestion, contactez votre médecin ou le centre antipoison local.
- Dans des conditions abusives, ne jamais entrer en contact avec la pile dont le liquide peut être éjecté. En cas de contact accidentel, rincez à l'eau. Si le liquide entre en contact avec les yeux, consultez immédiatement un médecin. Le liquide éjecté de la batterie peut provoquer des irritations ou des brûlures.
- N'utilisez pas de batterie non rechargeable. Sinon, la batterie lithium-ion peut prendre feu.

Symboles



Équipement de classe II



Décalage temporel miniaturé lien-fusible où T 3,15A est le symbole de la caractéristique du temps/du courant



Informations DEEE

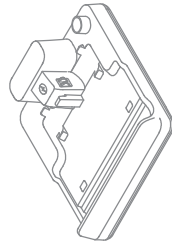
Tous les produits portant ce symbole deviennent des déchets d'équipements électriques et électroniques (DEEE dans la Directive européenne 2012/19/UE) qui ne doivent pas être mélangés aux déchets ménagers non triés. Vous devez contribuer à la protection de l'environnement et de la santé humaine en apportant l'équipement usagé à un point de collecte dédié au recyclage des équipements électriques et électroniques, agréé par le gouvernement ou les autorités locales. Le recyclage et la destruction appropriés permettront d'éviter tout impact potentiellement négatif sur l'environnement et la santé humaine. Contactez l'installateur ou les autorités locales pour obtenir plus d'informations concernant l'emplacement ainsi que les conditions d'utilisation de ce type de point de collecte.

Par la présente, Dreame Trading (Tianjin) Co., Ltd., déclare que cet équipement est conforme aux directives et normes européennes applicables, ainsi qu'à leurs amendements. L'intégralité de la déclaration de conformité pour l'UE est disponible à l'adresse suivante: <https://global.dreameotech.com>

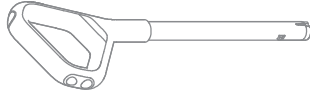
Pour obtenir un manuel électronique détaillé, rendez-vous sur le site <https://global.dreameotech.com/pages/user-manuals-and-faqs>

Présentation du produit

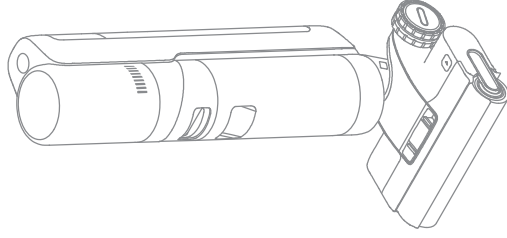
Liste d'emballage



Station de chargement



Poignée



Corps principal



Panier de filtration
des déchets solides



Brosse à rouleau de
rechange



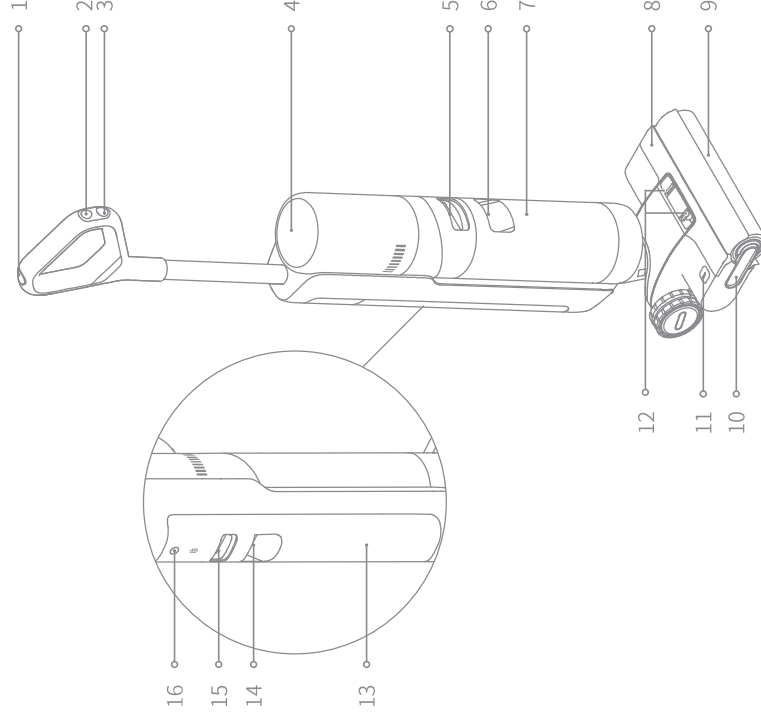
Filtre de rechange



Brosse de nettoyage

Présentation du produit

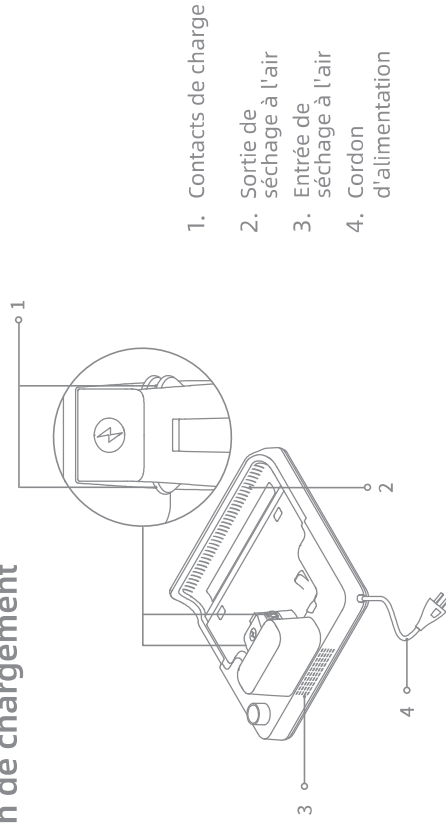
Aspirateur



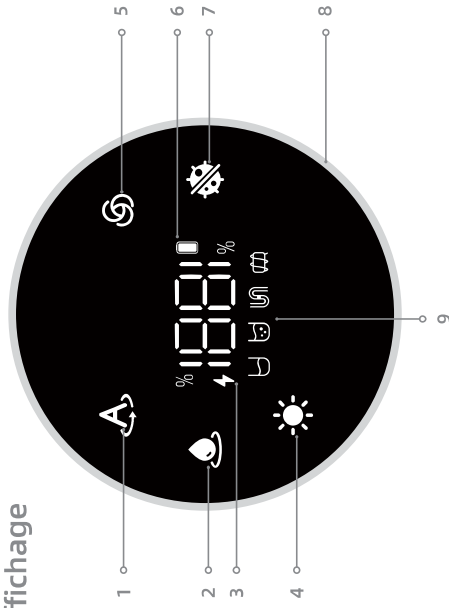
1. Bouton d'auto-nettoyage
2. Commutateur de mode
3. Interrupteur d'alimentation
4. Écran d'affichage
5. Bouton de libération du réservoir d'eau sale
6. Poignée du réservoir d'eau sale
7. Réservoir d'eau sale
8. Couvercle de la brosse à rouleau
9. Brosse à rouleau
10. Poignée de la brosse à rouleau
11. Boutons de déverrouillage de la brosse à rouleau
 - Appuyez brièvement pour activer le message vocal ou régler le volume
 - Maintenez cette touche enfoncée pendant 3 secondes pour accéder au réglage de la langue. Appuyez sur cette touche pour passer d'une langue à l'autre. Appuyez et maintenez enfoncé pour confirmer la sélection
12. Boutons de déverrouillage du couvercle de la brosse à rouleau
13. Réservoir d'Eau Propre
14. Poignée du réservoir d'eau propre
15. Bouton de libération du réservoir d'eau propre
16. Bouton de saisie vocale
 - Appuyez brièvement pour activer le message vocal ou régler le volume
 - Maintenez cette touche enfoncée pendant 3 secondes pour accéder au réglage de la langue. Appuyez sur cette touche pour passer d'une langue à l'autre. Appuyez et maintenez enfoncé pour confirmer la sélection

Présentation du produit

Station de chargement



Écran d'affichage



1. Mode automatique
2. Mode aspiration
3. Indicateur de charge
 - Orange à un rythme régulier : Niveau de batterie $\leq 20\%$
 - Vert à un rythme régulier : Niveau de batterie $> 20\%$
4. Mode de séchage
5. Mode turbo
6. Indicateur de batterie faible
 - Orange fixe : Niveau de batterie $\leq 20\%$
 - Vert fixe : Niveau de batterie $> 20\%$
7. Mode Ultra
8. Indicateur de concentration de poussière

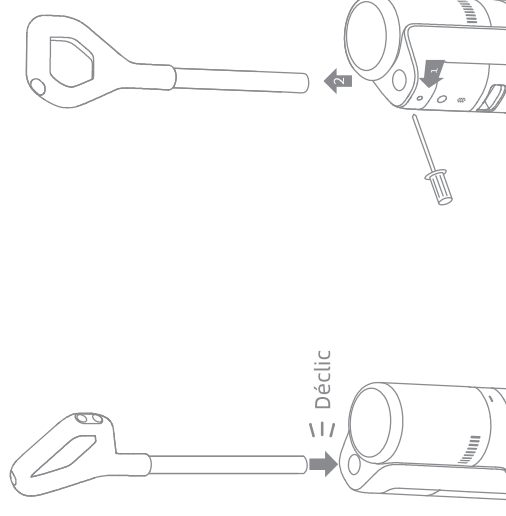
La couleur de la courbe change en temps réel en fonction du niveau de poussière
9. Messages d'erreur
 - Insuffisance d'eau dans le réservoir d'eau propre
 - Réservoir d'eau sale plein
 - Tube bouché
 - Brosse à rouleau coincée

Remarque : Si l'appareil ne fonctionne pas correctement, l'écran affiche un message d'erreur. Veuillez consulter la section Messages d'erreur et Solutions pour trouver une réponse.

Installation

Montage et démontage de la poignée

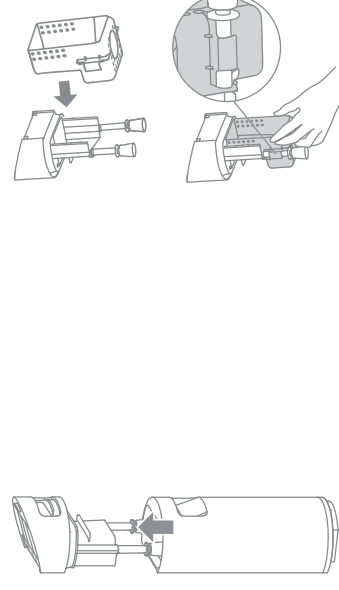
Insérez verticalement l'extrémité de la poignée dans le port sur le dessus de l'appareil comme indiqué jusqu'à ce que vous entendiez un « clic » d'enclenchement.



Remarque : Pour démonter la poignée, veuillez utiliser un objet dur pour atteindre le trou à l'arrière de l'aspirateur afin d'appuyer sur le contact, et en même temps tirer la poignée vers le haut.

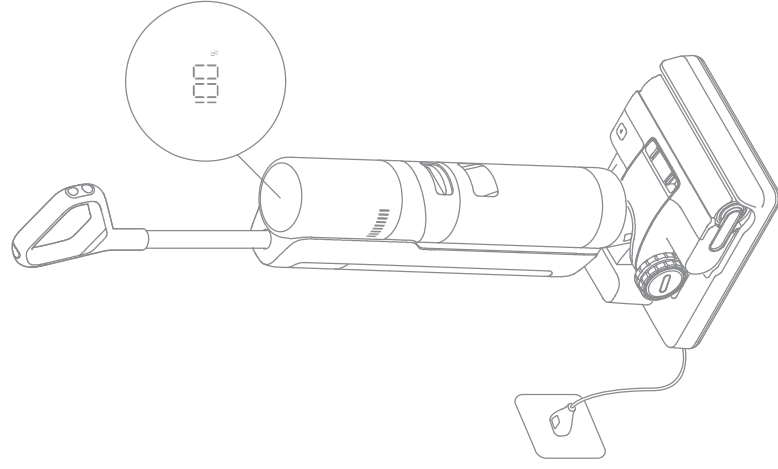
Installer le panier de filtration des déchets solides

Retirez le réservoir d'eau sale et soulevez le couvercle du réservoir pour installer le panier de filtration des déchets solides.



Remarque : Si le panier de filtration des déchets solides n'est pas installé, les autres fonctions seront actives normalement, sauf que les déchets solides seront pas séparés.

1. Placez la station de chargement contre un mur sur un sol plat et branchez-la à une source d'alimentation. Chargez complètement l'appareil avant la première utilisation.
2. Placez l'appareil sur la base de charge. Lorsque le message vocal "Commencer à charger" s'affiche, l'appareil passe en mode de charge. Pendant la charge, le chiffre affiché sur l'écran représente le niveau actuel de la batterie en pourcentage. Lorsque le chiffre atteint 100, la batterie est entièrement chargée.



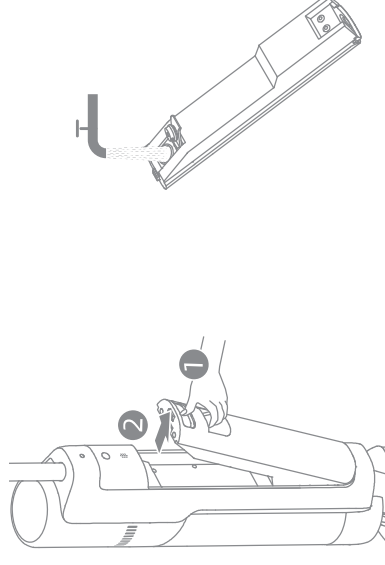
Remarque :

- Si aucune opération n'est effectuée dans les 10 minutes suivant la charge complète, l'aspirateur passe en mode veille. Veuillez redémarrer l'appareil si vous devez l'utiliser.
- Pour prolonger la durée de vie des piles, celles-ci se refroidissent automatiquement pendant environ une heure après une utilisation prolongée de l'appareil.

Comment utiliser

Remplissez le réservoir d'eau propre

Appuyez sur le bouton de libération du réservoir d'eau propre pour retirer le réservoir. Ouvrez le couvercle du réservoir et remplissez le réservoir d'eau propre. Réinstallez le réservoir d'eau propre et assurez-vous qu'il s'enclenche en place.

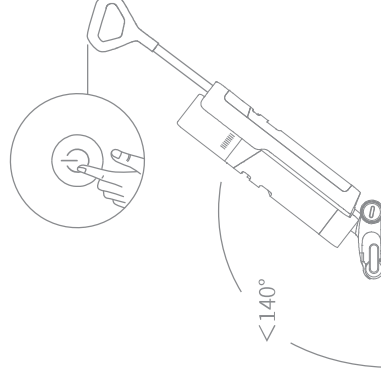


Remarque :

- Pour une meilleure performance de nettoyage, il est recommandé d'ajouter 10ml de détergent avec le bouchon de la bouteille dans le réservoir d'eau propre plein, puis de secouer doucement et uniformément pour l'utilisation.
- N'ajoutez aucun liquide autre que le nettoyeur officiellement approuvé. Le nettoyeur est disponible sur la boutique officielle en ligne.

Commencez le nettoyage

Montez doucement sur le couvercle de la brosse et inclinez l'appareil vers l'arrière. Appuyez sur l'interrupteur d'alimentation  pour mettre en marche.



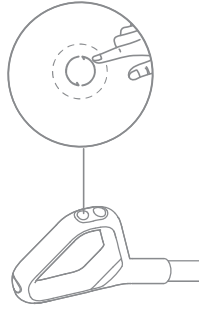
Remarque :

- Ne pas utiliser pour aspirer des liquides mousseux.
- Si l'appareil est en position verticale pendant le travail, la tâche en cours sera suspendue.
- L'appareil est adapté au nettoyage des sols, du marbre, des carreaux et autres surfaces dures.
- Veuillez appuyer la brosse contre le sol lors de l'utilisation. N'inclinez pas l'appareil vers l'arrière à plus de 140° pour éviter que l'appareil ne laisse échapper de l'eau.
- Pendant le fonctionnement de l'appareil, évitez de le soulever du sol, de l'incliner ou de le poser à plat. Cela peut entraîner l'écoulement de l'eau sale dans le moteur.

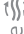

Comment utiliser

Changement de modes

L'appareil est activé en mode automatique par défaut, vous pouvez passer en mode ultra - mode aspiration - mode turbo selon vos besoins.



Nettoyage automatique à l'eau chaude

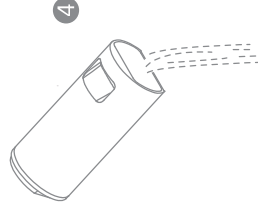
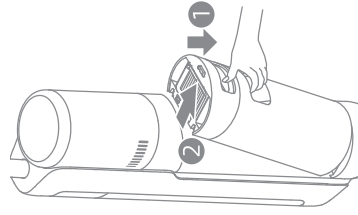
1. Une fois que l'appareil a terminé sa tâche de nettoyage, remplacez-le sur la station et assurez-vous que l'eau contenue dans le réservoir d'eau propre est suffisante pour l'autonettoyage.
2. Appuyez brièvement sur le bouton de nettoyage automatique  sur le dessus de la poignée pour lancer le nettoyage automatique à l'eau chaude. Permutez entre les modes de nettoyage automatique en fonction des instructions vocales.
3. Veuillez vider le réservoir d'eau sale une fois l'autonettoyage terminé et le mode de séchage enclenché. Appuyez sur le bouton  pour quitter le mode de séchage.

Remarque :

- La fonction d'auto-nettoyage ne peut être activée que lorsque l'appareil est en cours de chargement et que le niveau de la batterie est supérieur à 15%.
- Évitez de toucher la brosse à rouleau, l'eau chaude et le module chauffant sur la base de chargement lors du processus de nettoyage automatique.

Videz le réservoir d'eau sale

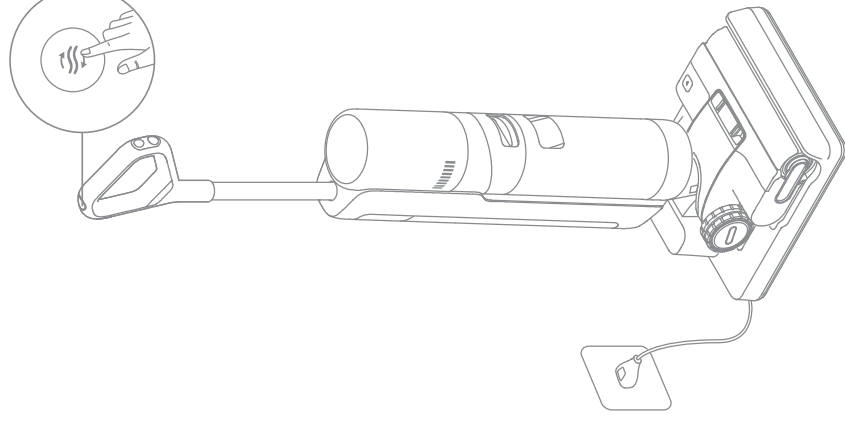
Appuyez sur le bouton de déverrouillage du réservoir d'eau sale pour retirer le réservoir. Soulevez le couvercle du réservoir et videz l'eau sale. Réinstallez le couvercle du réservoir et le réservoir avant l'utilisation.



Comment utiliser

Mode de séchage

1. Appuyez sur le bouton d'autonettoyage  et maintenez-le enfoncé pendant 3 secondes pour activer le mode de séchage.
2. L'appareil sera chargé une fois le séchage terminé.



Remarque :

- Nettoyez la station de charge s'il reste des taches sur la station une fois l'autonettoyage terminé.
- Si vous nettoyez la brosse à rouleau manuellement, veuillez le faire sécher à l'air libre ou en utilisant le mode de séchage plusieurs fois.

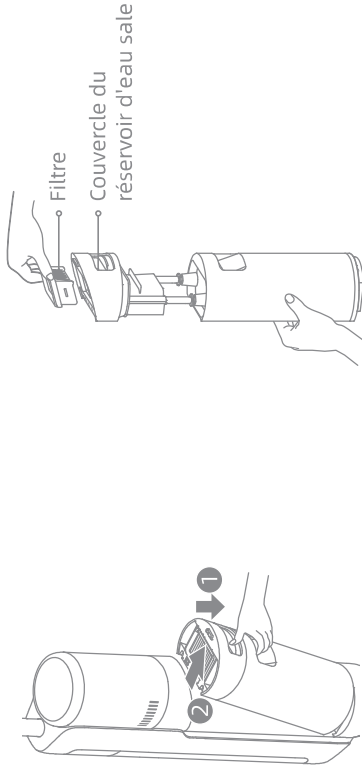
Entretien et maintenance

Conseils :

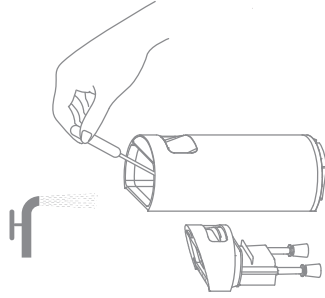
- Éteignez l'appareil avant de procéder à l'entretien. Ne touchez pas l'interrupteur d'alimentation.
- Les pièces doivent être remplacées si nécessaire, veuillez utiliser les pièces désignées par l'usine d'origine afin de ne pas endommager le produit en raison d'une inadéquation.
- Si l'appareil n'est pas utilisé pendant une période prolongée, chargez-le complètement, débranchez l'adaptateur d'alimentation et rangez l'appareil dans un endroit frais, peu humide et à l'abri des rayons directs du soleil. Pour éviter une décharge excessive de la batterie, chargez l'appareil au moins une fois tous les 3 mois.

Nettoyage du réservoir d'eau sale et du filtre

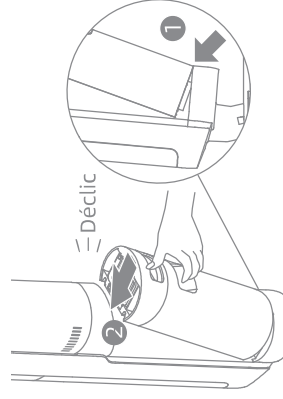
1. Appuyez sur le bouton de libération du réservoir d'eau sale et sortez le réservoir d'eau sale.
2. Retirez le filtre au niveau du couvercle du réservoir d'eau sale. Soulevez le couvercle du réservoir et videz l'eau sale.



3. Rincez à l'eau le réservoir d'eau sale et le couvercle et nettoyez la paroi interne du réservoir avec la brosse de nettoyage fournie.



4. Fermez le couvercle du réservoir d'eau sale, réinstallez le réservoir et assurez-vous que le réservoir s'enclenche en place.



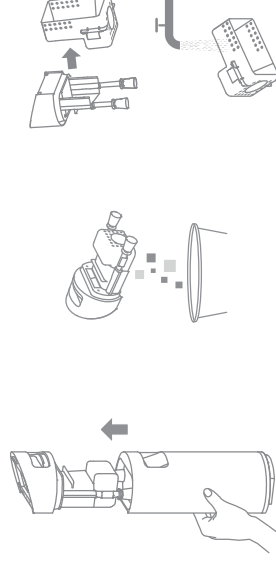
Remarque :

- lorsque le filtre est sale et doit être lavé, rincez-le à l'eau. Il doit être complètement sec avant d'être utilisé.
- Il est recommandé de remplacer le filtre tous les 3 à 6 mois.

Entretien et maintenance

Nettoyer le panier de filtration des déchets solides

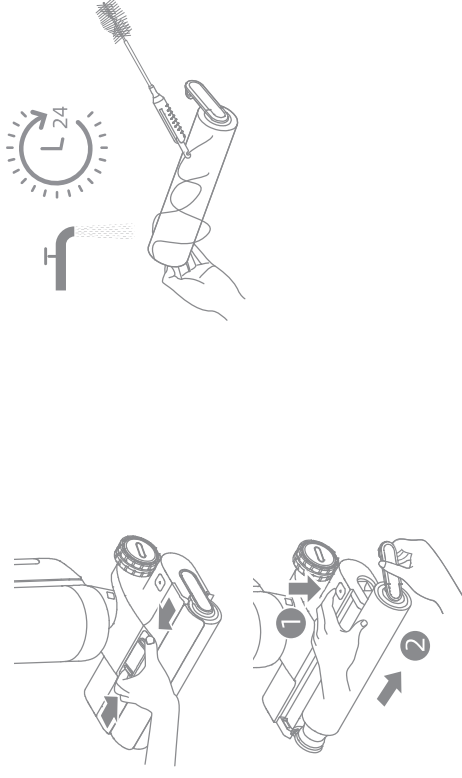
Retirez le réservoir d'eau sale puis soulevez le couvercle du réservoir. Dégagez le panier de filtration des déchets solides du couvercle de réservoir et nettoyez-le.



Remarque : Si vous n'avez pas besoin d'utiliser le panier de filtration des déchets solides, vous pouvez le retirer.

Nettoyage de la brosse

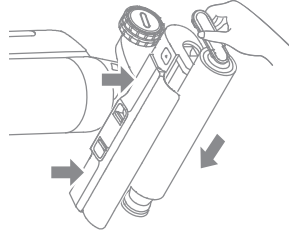
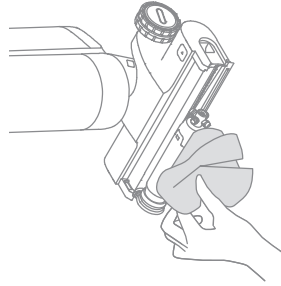
1. Tout d'abord, appuyez sur les boutons de libération du couvercle de la brosse à rouleau vers l'intérieur des deux côtés pour retirer le couvercle. Ensuite, appuyez sur le bouton de libération de la brosse à rouleau et sa poignée sort. Tirez sur la poignée pour retirer la brosse à rouleau.
2. Dégagez les cheveux et les débris emmêlés sur le rouleau-brosse avec la brosse de nettoyage fournie. Rincez le rouleau-brosse à l'eau claire. Séchez soigneusement le rouleau-brosse à l'air libre, ou séchez-le en activant plusieurs fois le mode de séchage.



Entretien et maintenance

3. Essayez l'entrée d'aspiration avec un chiffon sec ou un tissu humide. Ne rincez pas l'ensemble de la brosse à l'eau.

4. Après avoir nettoyé la brosse à rouleau, remettez en place la brosse et son couvercle. Vous entendrez un clic pour indiquer qu'ils sont bien en place.

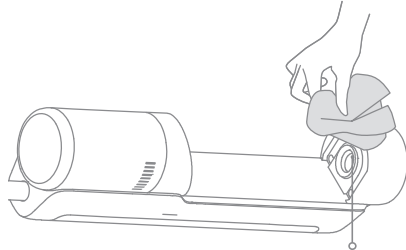


Remarque :

- Nettoyez selon les besoins. Il est recommandé d'utiliser alternativement les deux rouleaux-brosses fournis.
- Il est recommandé de remplacer la brosse à rouleau tous les 3 à 6 mois.

Nettoyage du tube et du capteur de saleté

Retirez le réservoir d'eau sale, essuyez le tube et le capteur de saleté avec un chiffon humide avant de les utiliser.



Capteur de saleté

Remarque : ne rincez pas le tube ou le capteur de saleté.

Indication pour la panne

Si une erreur se produit, l'appareil s'arrête de fonctionner. Veuillez consulter le tableau suivant pour le dépannage. Si le problème persiste, veuillez contacter le service clientèle.

Erreur	Cause possible	Solution
L'appareil ne fonctionne pas.	L'appareil n'a plus de batterie ou son niveau de batterie est faible.	Chargez complètement sa batterie avant de l'utiliser.
	L'appareil est en position verticale.	Inclinez l'appareil vers l'arrière.
	Blocage activé du mode de protection contre la surchauffe.	Éliminez l'obstruction et attendez que la température redevienne normale.
	Le réservoir d'eau sale est plein.	Videz le réservoir d'eau sale.
	Les pièces ne sont pas installées à leur place.	Assurez-vous que les pièces sont bien en place.
L'appareil se charge lentement.	La température de la batterie est trop basse ou trop élevée.	Attendez que la température de la batterie redevienne normale.
La puissance d'aspiration de l'appareil est faible.	Le filtre est bouché.	Nettoyage du filtre.
	L'entrée ou le tube d'aspiration est bloqué par un corps étranger.	Nettoyez le tube et l'entrée d'aspiration.
Le moteur émet un bruit étrange.	Il y a trop d'eau sale dans le réservoir d'eau usée.	Videz le réservoir d'eau sale.
	L'ouverture d'aspiration principale est bloquée.	Éliminez tout blocage dans l'ouverture d'aspiration principale.
La concentration de saleté est rouge.	Le capteur de saleté doit être nettoyé.	Le capteur de saleté se trouve dans le tube. Suivez les instructions de nettoyage du tube.
	La concentration du nettoyant est trop élevée.	Diluez le nettoyant avec de l'eau selon le ratio recommandé.
	Le nettoyant d'une autre marque a provoqué une grande quantité de mousse.	Utilisez uniquement le nettoyant officiellement approuvé.
L'indicateur d'état de la batterie ne s'allume pas pendant la charge.	La prise de la station de charge n'est pas insérée correctement dans la prise électrique.	Assurez-vous que la prise de la station de charge est bien insérée.
	L'appareil n'est pas placé correctement sur la station de chargement.	Assurez-vous que l'appareil est placé correctement sur la base de chargement.

Indication pour la panne

Il n'y a pas d'eau qui sort de l'appareil.	Le réservoir d'eau propre n'a pas été installé en place ou le réservoir d'eau propre est vide.	Réinstallez ou remplissez le réservoir d'eau propre.
	Il faut 30 secondes pour humidifier le rouleau-brosse.	Mettez l'appareil en marche et vérifiez à nouveau dans 30 secondes.
Fuite d'eau par le haut du réservoir d'eau sale.	Une collision ou une traction brusque peut amener l'eau à pénétrer dans le moteur ; Soulever l'appareil du sol, l'incliner ou le poser à plat.	Déplacez doucement l'appareil d'avant en arrière et appuyez la brosse contre le sol lors de l'utilisation.
	Le filtre n'est pas complètement sec après avoir été nettoyé.	Séchez complètement le filtre avant de l'utiliser.
L'autonettoyage a échoué.	La brosse à rouleau est peut-être bloquée par de grosses particules.	Ouvrez le couvercle de la brosse à rouleau pour la vérifier et nettoyer.
	L'appareil n'est pas placé correctement sur la station de chargement.	Assurez-vous que l'appareil est chargé avant d'activer la fonction d'autonettoyage.
	L'autonettoyage ne peut pas être activé si le restant de la batterie est inférieur à 15%.	La fonction d'auto-nettoyage ne peut être activée que lorsque l'aspirateur est chargé et que le restant de la batterie est supérieur à 15%.
	Le réservoir d'eau sale n'est pas installé en place ou le réservoir d'eau sale est plein.	Réinstallez ou videz le réservoir d'eau sale.
Mauvaise efficacité du séchage ou bruit anormal pendant le séchage.	Le réservoir d'eau propre n'a pas été installé en place ou le réservoir d'eau propre est vide.	Réinstallez ou remplissez le réservoir d'eau propre.
	La sortie et l'entrée d'air de la base de charge sont peut-être bloquées.	Vérifiez et éliminez l'obstruction de la sortie et de l'entrée d'air.

Pour des services supplémentaires, veuillez nous contacter via aftersales@dreametech.com

Messages d'erreur et Solutions

Si vous devez prêter attention à une anomalie quelconque pendant l'utilisation du produit, l'écran affichera un message d'avertissement. Vous devez suivre les instructions à l'écran pour que les performances restent normales.

Icône d'erreur	Cause possible	Solutions
	Insuffisance d'eau dans le réservoir d'eau propre	Remplissez le réservoir d'eau propre.
	Réservoir d'eau sale plein	Videz le réservoir d'eau sale.
	Brosse à rouleau coincée	Nettoyez la brosse à rouleau avec la brosse de nettoyage fournie.
	Tube bouché	Vérifiez si le filtre est bouché. Vous pouvez également nettoyer le tube et le capteur de saleté.
	La brosse à rouleau et le tube sont sales	Reposez l'appareil sur la base pour le nettoyage automatique.
Code d'erreur	Possible Cause	Solutions
E1-E7	Erreur	Redémarrez l'appareil pour le dépannage. Si le problème persiste, veuillez contacter le service clientèle.
H1-H6		
H7	Défaillance de la batterie	Attendez que la température de la batterie redevienne normale, puis continuez à utiliser l'aspirateur.

Aspirateur	
Modèle	HHR27C
Temps de charge	environ 4 heures (y compris le séchage)
Temps de séchage	30 min environ
Tension nominale	21,6 V ---
Tension de charge	27 V ---
Capacité du réservoir d'eau sale	700 mL
Puissance nominale	300 W
Capacité serbatoio dell'acqua pulita	900 mL
Station de chargement	
Modèle	HCBC
Puissance d'entrée nominale*	234 W
Entrée nominale	220-240 V ~ 50-60 Hz
Sortie nominale	27 V --- 1,6 A

*La puissance d'entrée nominale de la base de chargement est mesurée avec la fonction de séchage et celle de charge activées en même temps.

La batterie lithium-ion intégrée contient des substances dangereuses pour l'environnement. Avant de mettre la batterie au rebut, assurez-vous qu'elle est retirée par des techniciens qualifiés et mise au rebut dans un centre de recyclage approprié.

- la batterie doit être retirée de l'appareil avant d'être mise au rebut ;
- l'appareil doit être déconnecté du réseau électrique lors du retrait de la batterie ;
- la batterie doit être mise au rebut en toute sécurité

Guide de retrait

1. Retirez l'écran d'affichage en le faisant tourner à l'aide d'un outil.
2. Retirez tout à tour les vis du couvercle de la batterie, puis faites levier pour ouvrir le couvercle avec les outils appropriés.
3. Débranchez les bornes entre la batterie et la carte de circuit imprimé pour retirer la batterie.

ATTENTION :

- Avant de retirer la batterie, débranchez l'appareil et videz la batterie autant que possible.
- Les batteries inutilisées doivent être mises au rebut dans un centre de recyclage approprié.
- Ne pas exposer à un environnement à haute température pour éviter les risques d'explosion.
- Dans des conditions abusives, un liquide peut être éjecté de la batterie. En cas de contact, rincez à l'eau et consultez un médecin.



Points de collecte sur www.quefairedelesdechets.fr
Privilégiez la réparation ou le don de votre appareil !

Istruzioni Importanti per la Sicurezza

Leggere attentamente questo manuale prima dell'uso e conservarlo per riferimento futuro. Quando si utilizza un apparecchio elettrico, è necessario seguire sempre le precauzioni di base, comprese le seguenti:

LEGGERE TUTTE LE ISTRUZIONI PRIMA DI UTILIZZO (QUESTO APPARECCHIO). La mancata osservanza delle avvertenze e delle istruzioni può provocare scosse elettriche, incendi e/o lesioni gravi.

AVVERTENZA – Per ridurre il rischio di incendi, scosse elettriche o lesioni:

Restrizioni di Utilizzo

- Questo prodotto non deve essere utilizzato da bambini di età inferiore a 8 anni, né da persone con deficit fisici, sensoriali, cognitivi, esperienziali o conoscenza limitata, senza la supervisione di un genitore o tutore, al fine di garantire la sicurezza del funzionamento ed evitare eventuali rischi. La pulizia e la manutenzione non devono essere eseguite da bambini senza supervisione.
- La pellicola di plastica può essere pericolosa. Per evitare il pericolo di soffocamento, tenerlo lontano dalla portata dei bambini.
- Non consentire ai bambini di giocare con questo prodotto.
- Utilizzare solo in interni, su superfici non rivestite di tappeto come vinile, piastrelle, legno sigillato, ecc. Fare attenzione a non calpestare oggetti sciolti o bordi di tappeti. Lo stallo della spazzola può provocare un guasto prematuro della cinghia.
- Utilizzare solo come descritto in questa guida per l'utente. Utilizzare solo gli accessori consigliati dal produttore.
- Non esporre l'apparecchio a fiamme o temperature eccessive. L'esposizione al fuoco o ad una temperatura eccessiva può provocare un'esplosione.
- Non usare in ambienti estremamente caldi o freddi (sotto 5°C / 41°F o sopra 40°C / 104°F). Per favore ricarica l'apparecchio a temperature superiori a 5°C / 41°F e inferiori a 40°C / 104°F.
- Non immergere l'apparecchio in liquidi.
- Non usare per raccogliere liquidi infiammabili o combustibili, come benzina. Non usare in aree dove possono essere presenti liquidi infiammabili o combustibili.
- Non mettere nessun oggetto nelle aperture. Non usare l'apparecchio quando una qualsiasi apertura è ostruita; mantieni esente da polvere, lanugine, capelli e qualsiasi cosa possa inibire il flusso d'aria.
- Non raccogliere materiale tossico (candeggina a base di cloro, ammoniacca, detergente per scarichi, ecc.). Non raccogliere oggetti duri o appuntiti come vetro, chiodi, viti, monete, ecc.
- Non utilizzare l'apparecchio in uno spazio chiuso pieno di vapori emessi da vernici a base di olio, diluenti per vernici, alcune sostanze antitarre, polvere infiammabile o altri vapori esplosivi o tossici. Non raccogliere nulla che stia bruciando o fumando, come sigarette, fiammiferi o cenere calda.
- Non utilizzarlo senza filtri in posizione.
- Tenere i capelli, i vestiti larghi, le dita e tutte le parti del corpo lontani dalle aperture e dalle parti in movimento dell'apparecchio e dei suoi accessori.

Istruzioni Importanti per la Sicurezza

- Tieni i cavi di messa a terra lontani dall'apparecchio durante l'uso, poiché un pericolo potrebbe verificarsi se l'apparecchio passa su un cavo di alimentazione.
- Prestare particolare attenzione durante la pulizia delle scale.

Manutenzione e Conservazione

- Impedire l'avviamento accidentale. Assicurarsi che l'interruttore sia in posizione OFF prima di sollevare o trasportare l'apparecchio. Trasportare l'apparecchio con il dito sull'interruttore o mettere sotto tensione l'apparecchio con l'interruttore acceso può provocare incidenti.
- Assicurarsi che l'apparecchio sia posizionato su una superficie orizzontale. Non utilizzare l'apparecchio nella stessa posizione se è dotato di spazzola rotante e il manico non è completamente in posizione verticale. Non riporre l'elettrodomestico in un luogo in cui potrebbe gelare.
- Spegni e scollega l'apparecchio quando non è in uso, prima di pulirlo, manutenzionarlo o ripararlo, e prima di collegarlo o scollegarlo con una spazzola mobile.
- Non utilizzare un apparecchio danneggiato o modificato. Le batterie danneggiate o modificate possono presentare un comportamento imprevedibile con conseguenti incendi, esplosioni o rischio di lesioni.
- Non modificare o tentare di riparare l'apparecchio salvo quanto indicato nelle istruzioni per l'uso e la cura.
- Non usare l'apparecchio con un accessorio danneggiato (es: Base di ricarica, Cavo di alimentazione, ecc.). Se l'accessorio è danneggiato, deve essere sostituito dal produttore, dal suo agente di servizio o da persone persona con qualifica similare al fine di evitare pericoli.
- Far eseguire la manutenzione da un tecnico qualificato utilizzando solo parti di ricambio identiche. Ciò garantirà il mantenimento della sicurezza del prodotto.

Batteria e Ricarica

- Ai fini della ricarica dell'apparecchio, usa solo la base di ricarica fornita con questo apparecchio. Usa solo con base di ricarica HCBC.
- Segui tutte le istruzioni per la ricarica e non ricaricare l'apparecchio al di fuori dell'intervallo di temperatura specificato nella batteria, poiché ciò aumenta il rischio di incendio.
- La base di ricarica è dotata di funzione di asciugatura ed è adatta solo per asciugare la spazzola di questo apparecchio.
- Tieni il cavo della base di ricarica lontano da superfici riscaldate. Non maneggiare la spina della base di ricarica o l'apparecchio con le mani bagnate. Per scollegare, afferra la spina della base di ricarica, anziché il cavo.
- Non tirare o trasportare la base di ricarica tramite il cavo, usare il cavo come maniglia, chiudere la porta sul cavo o tirare il cavo attorno a spigoli vivi o angoli.
- Questo prodotto contiene batterie che possono essere sostituite solo da tecnici qualificati o dal servizio post-vendita.
- La batteria al litio contiene sostanze pericolose per l'ambiente. Prima di smaltire l'apparecchio, rimuovi prima il pacco batteria, quindi smaltiscilo o riciclatolo in conformità con le leggi e le normative locali del paese o della regione in cui è usato.

Istruzioni Importanti per la Sicurezza

- L'apparecchio deve essere scollegato dall'alimentazione quando rimuovi la batteria. Tieni le batterie fuori dalla portata dei bambini. Non mettere mai le batterie in bocca. In caso di ingestione, contatta il tuo medico o il controllo antiveneni locale.
- In condizioni abusive, non contattare mai la batteria da cui potrebbe essere espulso il liquido. In caso di contatto accidentale, sciacqua con acqua. Se il liquido viene a contatto con gli occhi, consulta immediatamente un medico. Il liquido espulso dalla batteria può causare irritazioni o ustioni.
- Non utilizzare batterie non ricaricabili. In caso contrario, la batteria agli ioni di litio potrebbe prendere fuoco.

Simboli



Class II equipment



Time-lag miniature fuse-link where T 3,15A is the symbol for the time/current characteristic

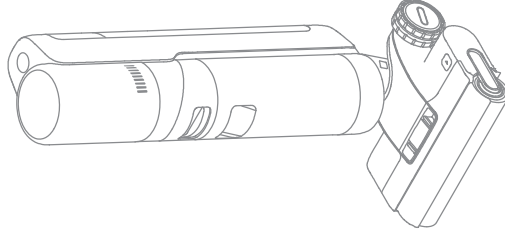


Informazioni RAEE

Tutti i prodotti contrassegnati da questo simbolo sono rifiuti di apparecchiature elettriche ed elettroniche (RAEE in base alla direttiva 2012/19/UE) che non devono essere smaltiti assieme a rifiuti domestici non differenziati. Al contrario, è necessario proteggere l'ambiente e la salute umana consegnando i rifiuti a un punto di raccolta autorizzato al riciclaggio di rifiuti di apparecchiature elettriche ed elettroniche, predisposto dalla pubblica amministrazione o dalle autorità locali. Lo smaltimento e il riciclaggio corretti aiutano a prevenire conseguenze potenzialmente negative all'ambiente e alla salute umana. Contattare l'installatore o le autorità locali per ulteriori informazioni sulla sede e per i termini e le condizioni di tali punti di raccolta.

Introduzione del Prodotto

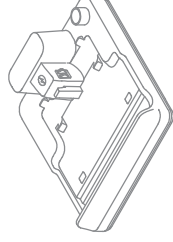
Lista Imballaggio



Dispositivo Principale



Maniglia



Base di Ricarica



Spazzola a Rullo di Ricambio



Cestello filtrante per rifiuti solidi



Filtro di Ricambio

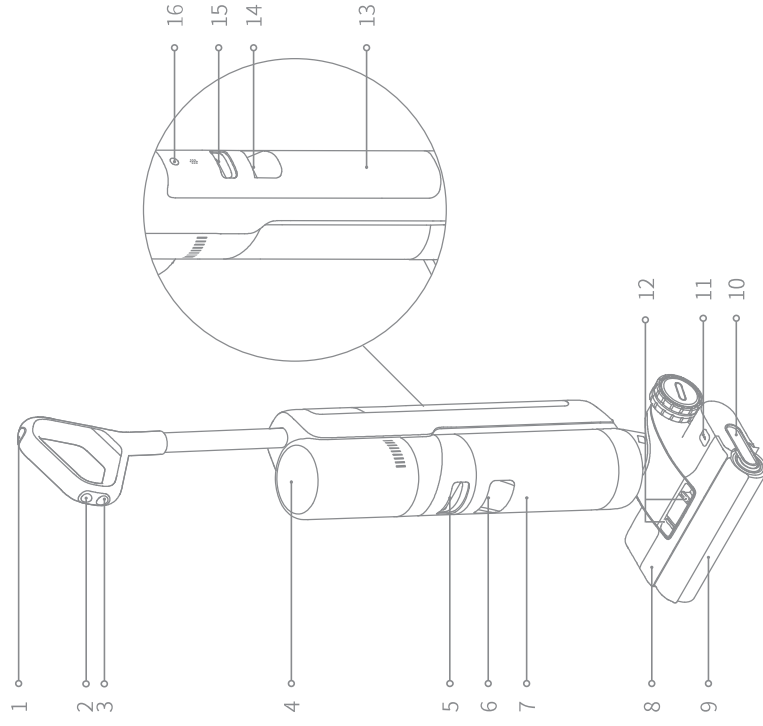


Spazzola per la Pulizia

Con la presente, Dreame Trading (Tianjin) Co., Ltd., dichiara che questo apparecchio è conforme alle direttive applicabili e alle norme europee, nonché ai relativi emendamenti. Il testo completo della dichiarazione di conformità UE è disponibile al seguente indirizzo Internet: <https://global.dreametech.com>
 Il manuale elettronico dettagliato è disponibile all'indirizzo <https://global.dreametech.com/pages/user-manuals-and-faqs>

Introduzione del Prodotto

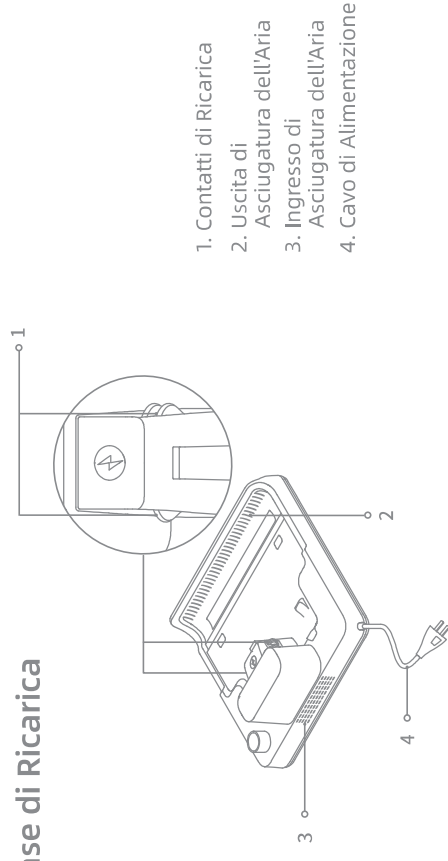
Aspirapolvere



1. Pulsante di Autopulizia
2. Interruttore di Modalità
3. Interruttore di Alimentazione
4. Schermo di Visualizzazione
5. Pulsante di Rilascio del Serbatoio dell'Acqua Usato
6. Maniglia del Serbatoio dell'Acqua Usata
7. Serbatoio dell'Acqua Usato
8. Coperchio del Rullo della Spazzola
9. Rullo della Spazzola
10. Maniglia del Rullo della Spazzola
11. Pulsante di Rilascio del Rullo della Spazzola
12. Pulsanti di Rilascio del Coperchio del Rullo della Spazzola
13. Serbatoio dell'Acqua Pulita
14. Maniglia del Serbatoio dell'Acqua Pulita
15. Pulsante di Rilascio del Serbatoio dell'Acqua Pulita
16. Pulsante Vocale
 - Premere brevemente per attivare il messaggio vocale o regolare il volume
 - Premi e tieni premuto per 3 secondi per accedere alle impostazioni della lingua. Premi per passare da una lingua all'altra. Premi e tieni premuto per confermare la selezione

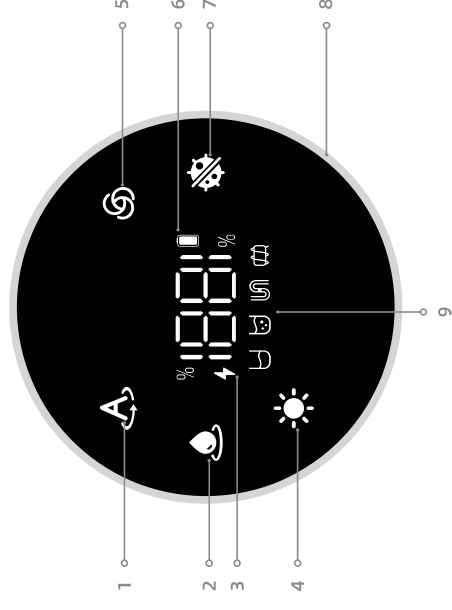
Introduzione del Prodotto

Base di Ricarica



1. Contatti di Ricarica
2. Uscita di Asciugatura dell'Aria
3. Ingresso di Asciugatura dell'Aria
4. Cavo di Alimentazione

Schermo di Visualizzazione



1. Modalità Auto
2. Modalità di Aspirazione
3. Indicatore di Ricarica
 - Arancione lampeggiante: Livello della batteria $\leq 20\%$
 - Verde lampeggiante: Livello della batteria $\leq 20\%$
 - Verde lampeggiante: Livello della batteria $>20\%$
4. Modalità di Asciugatura
5. Modalità Turbo
6. Indicatore di Batteria Basso
 - Arancione fisso: Livello della batteria $\leq 20\%$
 - Verde fisso: Livello della batteria $>20\%$
7. Modalità Ultra
8. Indicatore di Concentrazione di Polvere

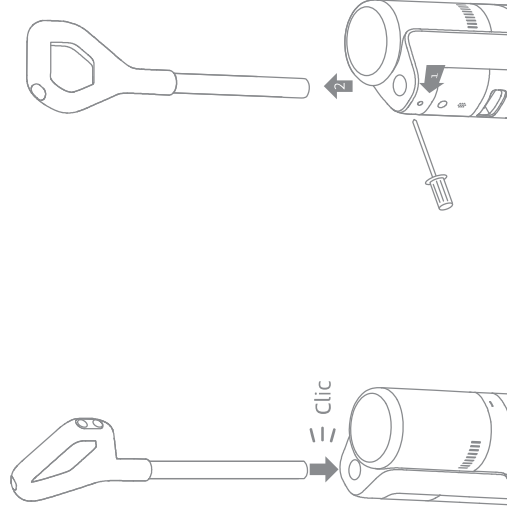
Il colore della curva cambia con la quantità di polvere in tempo reale
9. Messaggi di Errore
 - Acqua insufficiente nel serbatoio dell'acqua pulita
 - Serbatoio dell'acqua usato pieno
 - Tubo bloccato
 - Rullo della spazzola bloccato

Nota: Se l'apparecchio non funziona correttamente, la visualizzazione dello schermo mostrerà un messaggio di errore. Per favore fai riferimento alla sezione Prompt di Errore e Soluzioni per trovare la tua soluzione.

Installazione

Montaggio e Smontaggio della Maniglia

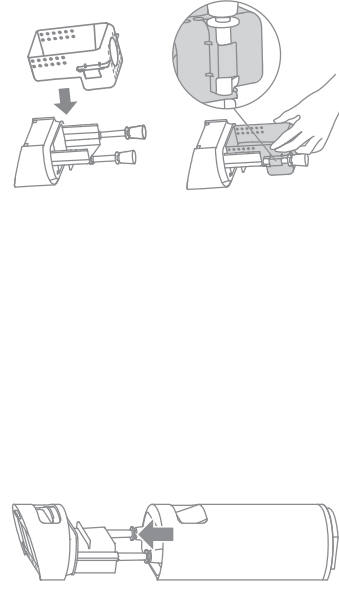
Inserire l'estremità dell'impugnatura in verticale nell'apertura sulla parte superiore dell'apparecchio, come indicato, finché non si sente uno scatto.



Nota: Per smontare la maniglia, utilizzare un oggetto duro per raggiungere il foro sul retro dell'aspirapolvere per premere il contatto e allo stesso tempo estrarre la maniglia verso l'alto.

Installazione del cestello filtrante per rifiuti solidi

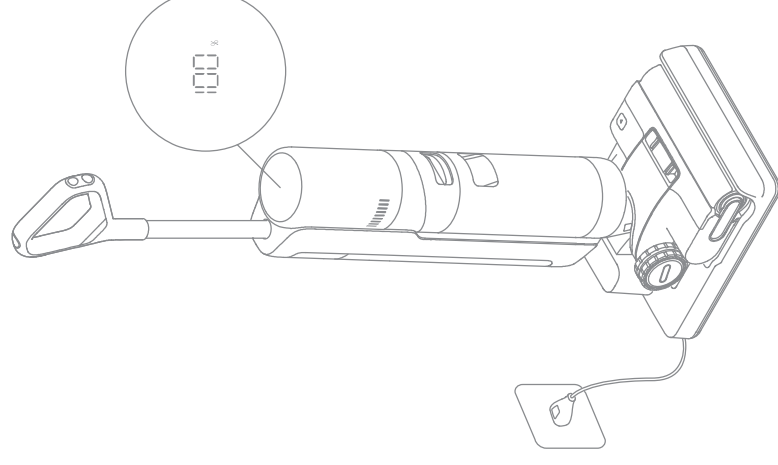
Rimuovere il serbatoio dell'acqua usata e sollevare il coperchio del serbatoio per installare il cestello filtrante dei rifiuti solidi.



Nota: Se il cestello filtrante dei rifiuti solidi non è installato, le altre funzioni possono operare normalmente, ad eccezione dell'impossibilità di separare i rifiuti solidi.

In ricarica

1. Posiziona la base di ricarica contro una parete su un terreno pianeggiante e collegala a una fonte di alimentazione. Ricarica completamente l'apparecchio prima del primo uso.
2. Posiziona l'apparecchio sulla base di ricarica. Quando viene visualizzato il messaggio vocale "Avvia ricarica", l'apparecchio attiva la modalità di ricarica. Durante la ricarica, il numero sullo schermo di visualizzazione rappresenta il livello attuale della batteria in percentuale. Quando il numero raggiunge 100, la batteria è completamente carica.



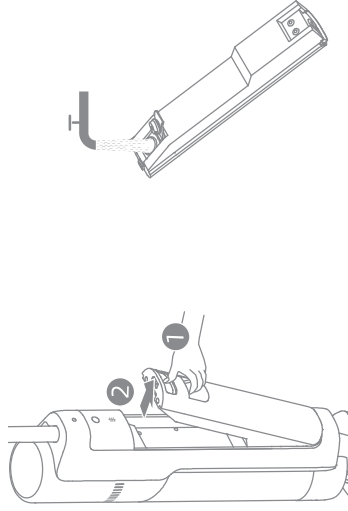
Nota:

- Se non c'è alcuna operazione entro 10 minuti prima di essere ricaricato completamente, l'aspirapolvere entrerà in modalità di sospensione. Per favore riavvia l'apparecchio se hai bisogno di usarlo.
- Per prolungare la durata della batteria, la batteria continua a raffreddarsi automaticamente per circa un'ora dopo che hai usato l'apparecchio per un lungo periodo.

Istruzioni per l'Uso

Riempi il Serbatoio dell'Acqua Pulita

Premi il pulsante di rilascio del Serbatoio dell'Acqua Pulita per rimuovere il serbatoio. Apri il coperchio del serbatoio e riempi il serbatoio con acqua pulita. Reinstalla il Serbatoio dell'Acqua Pulita e assicurati che scatti in posizione.

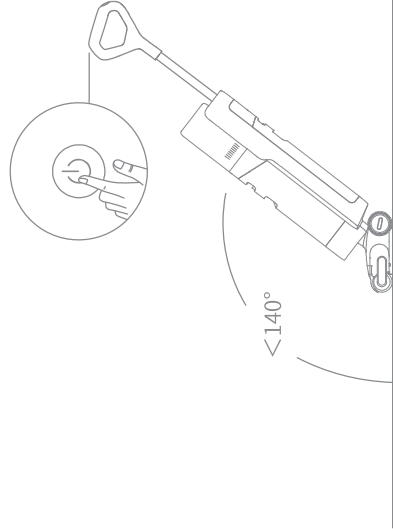


Nota:

- Per prestazioni di pulizia migliori, si consiglia di aggiungere 10 ml di detersivo con il tappo del flacone nel Serbatoio dell'Acqua Pulita pieno, quindi agitare delicatamente e uniformemente per l'uso.
- Non aggiungere liquidi diversi dal detersivo ufficialmente approvato. Il detersivo può essere disponibile sul negozio online ufficiale.

Inizia la Pulizia

Salire delicatamente sul coperchio della spazzola e reclinare l'apparecchio all'indietro. Premere l'interruttore di alimentazione  per avviare il funzionamento.



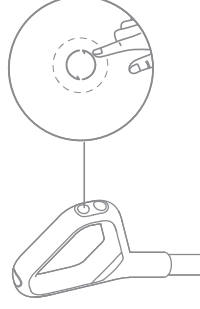
Nota:

- Non usare per aspirare liquidi schiumosi.
- Se l'apparecchio è in posizione verticale durante il funzionamento, il compito corrente sarà sospeso.
- L'apparecchio è adatto per la pulizia di pavimenti, marmo, piastrelle e altre superfici dure.
- Durante l'utilizzo, premere la spazzola contro il pavimento. Non reclinare l'apparecchio all'indietro di oltre 140° per evitare perdite d'acqua dall'apparecchio.
- Quando l'apparecchio è in funzione, non sollevarlo da terra, né inclinarlo o appoggiarlo. In questo modo, l'acqua usata potrebbe penetrare nel motore.

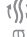
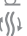
Istruzioni per l'Uso

Cambiare le Modalità

L'apparecchio è acceso in modalità automatica per impostazione predefinita; è possibile passare alla modalità ultra, alla modalità di aspirazione e alla modalità turbo secondo le necessità.



Pulizia automatica con acqua calda

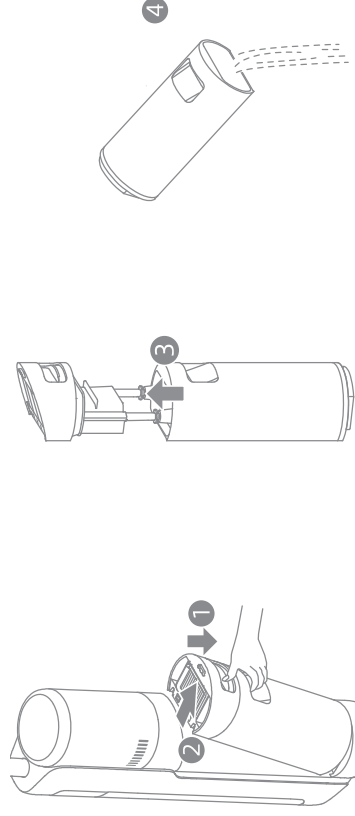
1. Dopo che l'apparecchio ha completato l'operazione di pulizia, riposizionalo sulla base e assicurati che l'acqua nel Serbatoio dell'Acqua Pulita sia sufficiente per l'auto-pulizia.
2. Premere brevemente il pulsante di pulizia automatica  sulla parte superiore del manico per avviare la pulizia automatica con acqua calda. Passare da una modalità di pulizia automatica all'altra seguendo le indicazioni vocali.
3. Per favore svuota il Serbatoio dell'Acqua Usata dopo che l'auto-pulizia è stata completata e la modalità di asciugatura è stata attivata. Premi il pulsante  per uscire dalla modalità di asciugatura.

Nota:


- La funzione di auto-pulizia è attivabile solo quando l'apparecchio è in ricarica e il livello della batteria è superiore al 15%.
- Non toccare la spazzola a rullo, l'acqua calda e il modulo di riscaldamento sulla base di ricarica durante il processo di pulizia automatica.

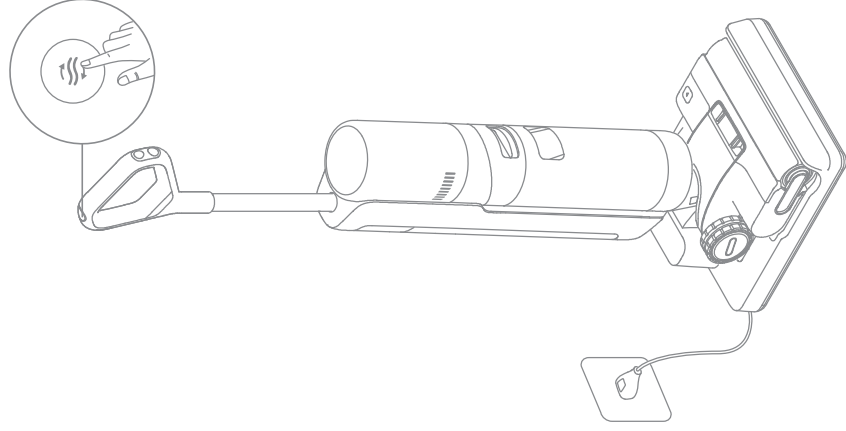
Svuota il serbatoio dell'acqua usata

Premere il pulsante di rilascio del serbatoio dell'acqua usata per estrarre il serbatoio. Sollevare il coperchio del serbatoio e scaricare l'acqua usata. Rimontare il coperchio del serbatoio e il serbatoio stesso prima dell'uso.



Modalità di Asciugatura

1. Per favore premi e tieni premuto il pulsante di auto-pulizia  per 3 secondi per attivare la modalità di asciugatura.
2. L'apparecchio verrà ricaricato una volta completata l'asciugatura.



Nota:

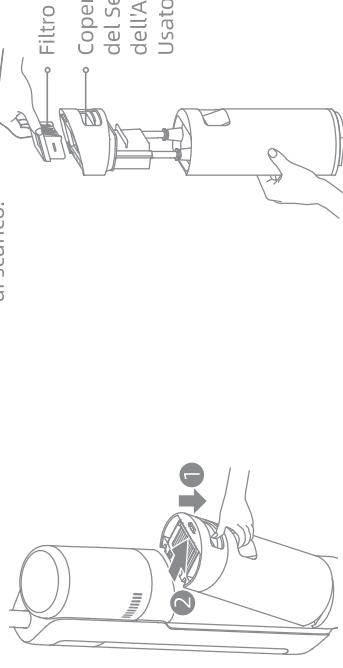
- Pulisci la base di ricarica se ci sono delle macchie lasciate sulla base dopo che l'auto-pulizia è completa.
- Se pulisci manualmente il rullo della spazzola, per favore asciugalo accuratamente all'aria o usando la modalità di asciugatura più volte.

Suggerimenti:

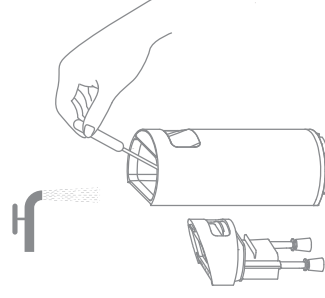
- Spegni l'apparecchio prima della manutenzione. Non toccare l'interruttore di alimentazione.
- Le parti devono essere sostituite se necessario, si prega di utilizzare le parti designate dalla fabbrica originale per evitare danni al prodotto a causa di inadeguatezza.
- Se l'apparecchio non è usato per un periodo esteso, ricaricarlo completamente, scollega l'adattatore di alimentazione e riponi l'apparecchio in un ambiente fresco e poco umido, lontano dalla luce solare diretta. Per evitare una scarica eccessiva della batteria, ricarica l'apparecchio almeno una volta ogni 3 mesi.

Pulizia del Serbatoio dell'Acqua Usata e del Filtro

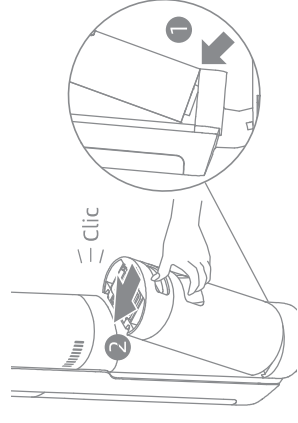
1. Premi il pulsante di rilascio del Serbatoio dell'Acqua Usata ed estrai il Serbatoio dell'Acqua Usata.
2. Estrarre il filtro dal coperchio del serbatoio dell'acqua usata. Sollevare il coperchio del serbatoio e versare l'acqua di scarico.



3. Sciacquare il serbatoio dell'acqua usata e il coperchio del serbatoio con acqua e pulire la parete interna del serbatoio con la spazzola in dotazione.



4. Chiudi il coperchio del Serbatoio dell'Acqua Usata, reinstalla il Serbatoio dell'Acqua Usata e assicurati che il serbatoio scatti in posizione.



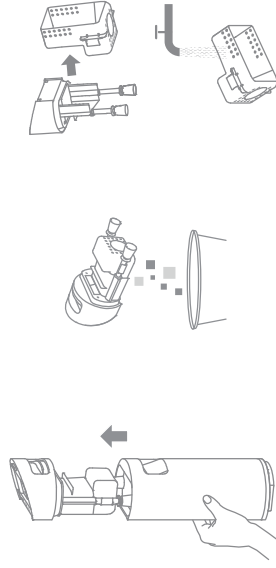
Nota:

- Quando il filtro è sporco e deve essere lavato, sciacqualo con acqua. Deve essere completamente asciutto prima dell'uso.
- Si consiglia di sostituire il filtro ogni 3 - 6 mesi.

Cura & Manutenzione

Pulizia del cestello filtrante dei rifiuti solidi

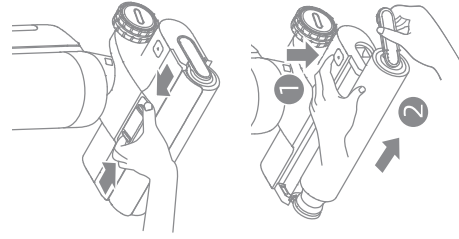
Rimuovere il serbatoio dell'acqua usata e sollevare il coperchio del serbatoio. Separare il cestello del filtro dei rifiuti solidi dal coperchio del serbatoio e pulirlo.



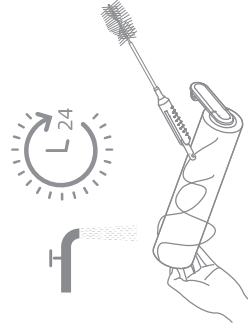
Nota: Se non è necessario utilizzare il cestello di filtraggio dei rifiuti solidi, è possibile rimuoverlo.

Pulizia del Gruppo Spazzole

1. Innanzitutto, premi i pulsanti di rilascio del coperchio del rullo della spazzola verso l'interno su entrambi i lati per rimuovere il coperchio del rullo della spazzola. Quindi, premi il pulsante di rilascio del rullo della spazzola e la maniglia del rullo della spazzola uscirà. Tira la maniglia per estrarre il rullo della spazzola.

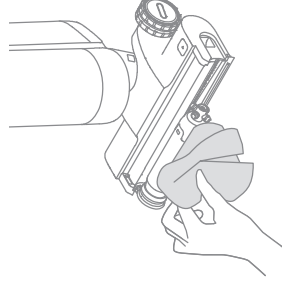


2. Elimina i capelli e i detriti aggrovigliati sul rullo della spazzola con la spazzola per la pulizia fornita. Sciacqua il rullo della spazzola con acqua pulita. Asciuga accuratamente il rullo della spazzola all'aria, o asciugalo attivando la modalità di asciugatura più volte.

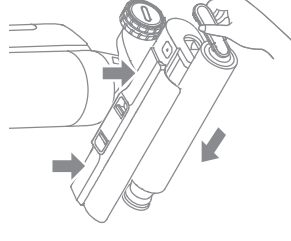


Cura & Manutenzione

3. Pulisci l'ingresso di aspirazione con un panno asciutto o un panno umido. Non risciacquare il gruppo spazzola con acqua.



4. Dopo aver pulito il rullo della spazzola, reinstalla il rullo della spazzola e il coperchio del rullo della spazzola. Sentirai un clic per indicare che sono installati in posizione.

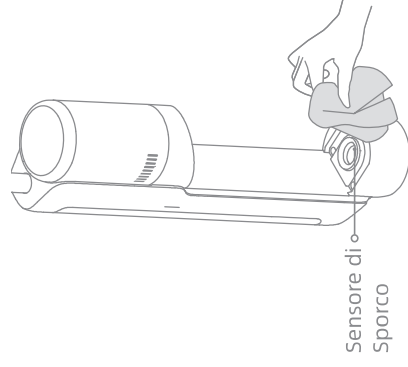


Nota:

- Pulisci secondo necessità. Si consiglia l'uso alternato dei due rulli della spazzola forniti.
- Si consiglia di sostituire il rullo della spazzola ogni 3 - 6 mesi.

Pulizia del Tubo e del Sensore di Sporco

Rimuovi il Serbatoio dell'Acqua Usata, pulisci il tubo e il sensore di sporco con un panno umido prima dell'uso.



Nota: Non risciacquare il tubo o il sensore di sporco.

Suggerimento Guasto

Se si verifica un errore, l'apparecchio smetterà di funzionare. Per favore fai riferimento alla tabella seguente per la risoluzione dei problemi. Se il problema persiste, per favore contatta il servizio clienti.

Errore	Causa Possibile	Soluzione
L'apparecchio non funziona.	La batteria dell'apparecchio è scarica o il livello della batteria è basso.	Ricarica completamente la batteria prima dell'uso.
	L'apparecchio è in posizione verticale.	Reclina l'apparecchio all'indietro.
	Modalità di protezione da surriscaldamento attivata da blocco.	Elimina il blocco e attendi che la temperatura ritorni normale.
	Il serbatoio dell'acqua usata è pieno.	Svuota il serbatoio dell'acqua usata.
	Le parti non sono installate in posizione.	Assicurarsi che tutte le parti siano posizionate correttamente.
L'apparecchio si ricarica lentamente.	La temperatura della batteria è troppo bassa o troppo alta.	Attendi finché la temperatura della batteria non torna normale.
La potenza di aspirazione dell'apparecchio è debole.	Il filtro è ostruito.	Pulizia del filtro.
Il motore fa uno strano rumore.	L'ingresso o il tubo di aspirazione è bloccato da un oggetto estraneo.	Pulisci il tubo e l'ingresso di aspirazione.
	C'è troppa acqua sporca nel Serbatoio dell'Acqua Usata.	Svuota il serbatoio dell'acqua usata.
	La bocca di aspirazione principale è ostruita.	Eliminare qualsiasi blocco nella bocca di aspirazione principale.
L'indicatore della concentrazione di sporco è rosso fisso.	Il sensore di sporco deve essere pulito.	Il sensore di sporco è nel tubo. Segui le istruzioni per la pulizia del tubo.
	La concentrazione del detergente è troppo alta.	Diluisci il detergente con acqua nella proporzione consigliata.
	Una soluzione di pulizia di terze parti ha causato una grande quantità di schiuma.	Usa solo il detergente ufficialmente approvato.
L'indicatore di stato della batteria non si accende durante la carica.	La spina della base di ricarica non è inserita correttamente nella presa elettrica.	Assicurati che la spina della base di ricarica sia inserita in posizione.
	L'apparecchio non è posizionato correttamente sulla base di ricarica.	Assicurati che l'apparecchio sia posizionato correttamente sulla base di ricarica.

Suggerimento Guasto

Non esce acqua dall'apparecchio.	Il serbatoio dell'acqua pulita non è stato installato o il serbatoio dell'acqua pulita è vuoto.	Reinstallare o riempire il serbatoio dell'acqua pulita.
	Ci vogliono 30 secondi per inumidire il rullo della spazzola.	Accendi l'apparecchio e ricontrolla tra 30 secondi.
Perdita d'acqua dalla parte superiore del serbatoio dell'acqua sporca.	Un urto o un brusco strappo provoca l'ingresso di acqua nel motore. Sollevare l'apparecchio da terra, inclinarlo o metterlo in piano.	Muovere delicatamente l'apparecchio avanti e indietro e premere la spazzola contro il pavimento durante l'uso.
	Il filtro non è completamente asciutto dopo essere stato pulito.	Asciugare completamente il filtro prima dell'uso.
	Il rullo della spazzola potrebbe essere inceppato da particelle grandi.	Apri il coperchio del rullo della spazzola per controllare e pulire il rullo della spazzola.
	L'apparecchio non è posizionato correttamente sulla base di ricarica.	Assicurati che l'apparecchio sia in ricarica prima di abilitare la funzione di auto-pulizia.
Auto-pulizia fallita.	L'auto-pulizia non può essere avviata se il livello della batteria è inferiore al 15%.	L'auto-pulizia non può essere avviata se il livello della batteria è inferiore al 15%.
	Il serbatoio dell'acqua usata non è installato in posizione o il serbatoio dell'acqua usata è pieno.	Reinstalla o svuota il serbatoio dell'acqua usata.
	Il serbatoio dell'acqua pulita non è stato installato o il serbatoio dell'acqua pulita è vuoto.	Reinstallare o riempire il serbatoio dell'acqua pulita.
Scarse prestazioni di asciugatura o strani rumori durante l'asciugatura.	L'uscita dell'aria e l'ingresso dell'aria della base di ricarica potrebbero essere bloccati.	Controlla e rimuovi il blocco dell'uscita dell'aria e dell'ingresso dell'aria.

Per servizi aggiuntivi, per favore contattaci via aftersales@dreame.tech
<https://global.dreame.tech>

Prompt di errore e soluzioni

In presenza di una situazione anormale durante l'uso del dispositivo, lo schermo visualizzerà un messaggio rapido. Si devono seguire le indicazioni sullo schermo per mantenere le funzionalità invariate.

Icona Errore	Causa Possibile	Soluzioni
	Acqua insufficiente nel serbatoio dell'acqua pulita	Riempire il serbatoio dell'acqua pulita.
	Serbatoio dell'acqua usato pieno	Svuota il serbatoio dell'acqua usata.
	Rullo della spazzola bloccato	Pulisci il rullo della spazzola con la spazzola per la pulizia fornita.
	Tubo Bloccato	Controlla se il filtro è intasato. Alternativamente, pulisci il tubo e il sensore di sporco.
	La spazzola a rullo e il tubo sono sporchi	Riposizionare l'apparecchio sulla base per la pulizia automatica.

Codice di Errore	Causa Possibile	Soluzioni
E1-E7	Errore	Riavvi l'apparecchio per la risoluzione dei problemi. Se il problema persiste, per favore contatta il servizio clienti.
H1-H6		Attendere che la temperatura della batteria ritorni normale, e poi continuare l'utilizzo dell'aspirapolvere.
H7	Batteria guasta	

Parametri di Base

Aspirapolvere			ca. 4 ore (inclusa l'asciugatura)
Modello	HHR27C	Tempo di Carica	Circa 30 min.
Tensione Nominale	21,6 V ===	Tempo di Asciugatura	27 V ===
Potenza Nominale	300 W	Tensione di Carica	700 mL
		Capacità del Serbatoio dell'Acqua Usata	900 mL
		Capacità del Serbatoio dell'Acqua Pulita	
Base di Ricarica			
Modello	HCBC	Potenza nominale d'ingresso*	234 W
Ingresso Nominale	220-240 V ~ 50-60 Hz	Uscita Nominale	27 V === 1,6 A

*La potenza nominale di ingresso della base di ricarica viene misurata quando la funzione di asciugatura e la funzione di ricarica sono attivate contemporaneamente.

Smaltimento e Rimozione della Batteria

La batteria incorporata agli ioni di litio contiene sostanze pericolose per l'ambiente. Prima di smaltire la batteria, assicurati che la batteria sia rimossa da tecnici qualificati e smaltita presso un centro di riciclaggio appropriato.

- la batteria deve essere rimossa dall'apparecchio prima che sia rottamata;
- l'apparecchio deve essere scollegato dalla rete di alimentazione al momento della rimozione della batteria;
- la batteria deve essere smaltita in modo sicuro.

Guida alla Rimozione

1. Rimuovi lo schermo di visualizzazione ruotandolo con uno strumento.
2. Rimuovi le viti sul coperchio della batteria a turno e quindi fai leva per aprire il coperchio con gli strumenti appropriati.
3. Scollega i terminali tra la batteria e la scheda PCB per rimuovere la batteria.

ATTENZIONE:

- Prima di rimuovere la batteria, scollega l'alimentazione ed esaurisci la batteria il più possibile.
- Le batterie non necessarie devono essere smaltite presso un centro di riciclaggio appropriato.
- Non esporre ad ambienti ad alta temperatura per evitare rischi di esplosione.
- In condizioni abusive, il liquido potrebbe essere espulso dalla batteria. In caso di contatto, sciacqua con acqua e consulta un medico.

Scatola	Manuale	Borsa	Pellicola	Pellicola	Maniglia
PAP 20	PAP 22	CPE 7	PET 1	PP 5	PE 4/PP 5
Carta	Plastica				
RACCOLTA DIFFERENZIATA					
<small>Verifica le disposizioni del tuo Comune. Separa le componenti e conferiscile in modo corretto.</small>					

Instrucciones de Seguridad Importantes

Lea este manual detenidamente antes de usar el aspirador y guárdelo para su consulta en el futuro.

Al usar un aparato eléctrico, siempre se deben seguir las precauciones básicas, incluidas las siguientes:

LEA TODAS LAS INSTRUCCIONES ANTES DE USO (DE ESTE APARATO). El incumplimiento de las advertencias e instrucciones puede provocar descargas eléctricas, incendios y / o lesiones graves.

ADVERTENCIA - Para reducir el riesgo de incendio, descarga eléctrica o lesiones:

Restricciones de Uso

- Este producto no debe ser utilizado por niños menores de 8 años ni por personas con deficiencias físicas, sensoriales o intelectuales, o experiencia o conocimientos limitados, sin la supervisión de un progenitor o un tutor legal que pueda garantizar un funcionamiento seguro y evitar riesgos. La limpieza y el mantenimiento no deben ser realizados por menores sin supervisión.
- La película plástica puede causar peligro. Para evitar asfixia, manténgala alejada de los niños.
- Los niños no deben jugar con el aparato.
- Utilícelo únicamente en interiores y sobre pisos sin alfombras, como por ejemplo vinilo, baldosas, madera sellada, etc. Tenga cuidado de no pasar por encima de objetos sueltos o bordes de tapetes. Cepillo atrapado puede causar falla prematura de la correa.
- Utilícelo únicamente como se describe en este manual del usuario. Utilice solo los accesorios recomendados por el fabricante.
- No exponga el aparato al fuego ni a temperaturas excesivas. Exponerlo a fuego o a una temperatura excesiva puede provocar explosión.
- No lo utilice en ambientes extremadamente cálidos o fríos (por debajo de 5°C /41°F o sobre 40°C /104°F). Cargue el aparato a una temperatura superior a 5°C /41°F e inferior a 40°C /104°F.
- No sumerja el aparato en líquido.
- No lo use para recoger líquidos inflamables o combustibles, como gasolina. No lo use en áreas donde pueda haber líquidos inflamables o combustibles.
- No coloque ningún objeto en las aberturas. No utilice el aparato cuando alguna abertura esté bloqueada; manténgalo libre de polvo, pelusa, cabello y cualquier cosa que pueda impedir el flujo de aire.
- No recoja material tóxico (blanqueador con cloro, amoniaco, líquido limpiador de desagües, etc.). No recoja objetos duros o afilados como vidrio, clavos, tornillos, monedas, etc.
- No utilice el aparato en un espacio cerrado lleno de vapor emitido por pintura a base de aceite, disolvente de pintura, sustancias a prueba de polillas, polvo inflamable u otros vapores explosivos o tóxicos. No recoja ningún objeto que se esté quemando o humeando, como cigarrillos, fósforos o cenizas calientes.
- No lo use sin los filtros instalados correctamente.
- Mantenga el cabello, la ropa suelta, los dedos y todas las partes de su cuerpo alejados de las aberturas y las partes móviles del aparato y sus accesorios.
- Mantenga los cables de conexión a tierra alejados del aparato durante el uso, ya que puede producirse peligro si el aparato atropella un cable de alimentación.
- Tenga especial cuidado al limpiar escaleras.

Instrucciones de Seguridad Importantes

Mantenimiento y Almacenamiento

- Para evitar arranque involuntario, asegúrese de que el interruptor esté en la posición APAGADO antes de levantar o transportar el aparato. Llevar el aparato con el dedo puesto en el interruptor o cargarlo con el interruptor en encendido puede provocar accidentes.
- Asegúrese de que el aparato esté colocado sobre una superficie horizontal. No utilice el aparato en el mismo puesto si el aparato cuenta con un cepillo de rodillo y el asa no está en posición completamente vertical. No guarde el aparato en un lugar donde pueda congelarse.
- Apague y desenchufe el aparato cuando no está funcionando, antes de limpiarlo, mantenerlo o repararlo, y antes de conectarlo o desconectarlo con un cepillo de movimiento.
- No utilice electrodomésticos que estén dañados o modificados. Baterías dañadas o modificadas pueden provocar actos impredecibles que resulten en fuego, explosión o riesgo de lesiones.
- No modifique ni intente reparar el aparato salvo que se indique en las instrucciones de uso y cuidado.
- No utilice el aparato con un accesorio dañado (p. ej., base de carga, cable de alimentación, etc.). Si el accesorio está dañado, debe ser reemplazado por el fabricante, su agente de servicio o personas cualificadas similares para evitar peligros.
- El servicio debe ser realizado por un técnico calificado que utilice únicamente piezas de repuesto idénticas. Esto asegura que se mantiene la seguridad del producto.

Batería y Carga

- A fin de recargar el aparato, utilice únicamente la base de carga provista con este aparato. Utilice únicamente con la base de carga HCBC.
- Siga todas las instrucciones de carga y no cargue el aparato fuera del rango de temperatura especificado en la batería, ya que hacerlo aumenta el riesgo de incendio.
- La base de carga cuenta con una función de secado y solo es adecuada para secar el cepillo de este aparato.
- Mantenga el cable de la base de carga alejado de superficies calientes. No toque el enchufe de la base de carga ni el aparato con manos mojadas. Para desenchufar, tire por el enchufe de la base de carga, no por el cable.
- No tire ni traslade la base de carga por cable, no utilice el cable como manija, no cierre la puerta por encima del cable ni tire el cable contra bordes o esquinas afilados.
- Este producto contiene baterías que solo pueden ser reemplazadas por técnicos calificados o servicio posventa.
- El paquete de baterías de iones de litio contiene sustancias que son peligrosas para el medio ambiente. Antes de desechos el electrodoméstico, primero retire el paquete de baterías y luego deséchelo o recíclelo de acuerdo con las leyes y regulaciones locales del país o región en el que se usa.
- El aparato debe estar desconectado de la fuente de alimentación al retirar la batería. Mantenga las baterías fuera del alcance de los niños. Nunca ponga las baterías en la boca. Si se ingiere, comuníquese con su médico o con el control local de envenenamiento.

Instrucciones de Seguridad Importantes

- En condiciones abusivas, nunca toque la batería de la que puede salir líquido. Si ocurre contacto accidentalmente, enjuague con agua. Si el líquido entra en contacto con los ojos, busque ayuda médica inmediatamente. El líquido divulgado de la batería puede causar irritación o quemaduras.
- No utilice paquetes de baterías no recargables. De no hacerlo, la batería de iones de litio puede incendiarse.

Símbolos



Equipo clase II



Lapso de tiempo miniatura fusible donde T 3,15A es el símbolo de la característica de tiempo/corriente



Información sobre RAEE

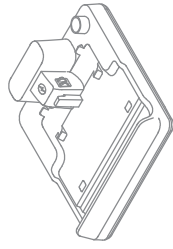
Todos los productos que llevan este símbolo son residuos de aparatos eléctricos y electrónicos (RAEE según la directiva 2012/19/UE) que no deben mezclarse con residuos domésticos sin clasificar. En su lugar, debe proteger la salud humana y el medio ambiente entregando sus equipos de desecho a un punto de recogida para el reciclaje de residuos de equipos eléctricos y electrónicos, designado por el gobierno o las autoridades locales. La eliminación y el reciclado correctos ayudarán a evitar posibles consecuencias negativas para el medio ambiente y la salud humana. Póngase en contacto con el instalador o con las autoridades locales para obtener más información sobre la ubicación y las condiciones de dichos puntos de recogida.

Nosotros, Dreame Trading (Tianjin) Co., Ltd., por la presente, declaramos que el equipo cumple con las Directivas y Normas Europeas aplicables y las enmiendas. Encontrará el texto completo de la declaración de conformidad de la UE en esta dirección de Internet: <https://global.dreameotech.com>

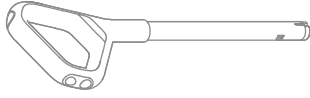
Para un manual electrónico detallado, vaya a <https://global.dreameotech.com/pages/user-manuals-and-faqs>

Descripción del producto

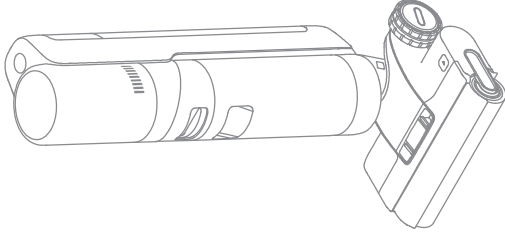
Lista de paquete



Base de carga



Asa



Cuerpo principal



Canasta de filtro de residuos sólidos



Cepillo de rodillo de repuesto



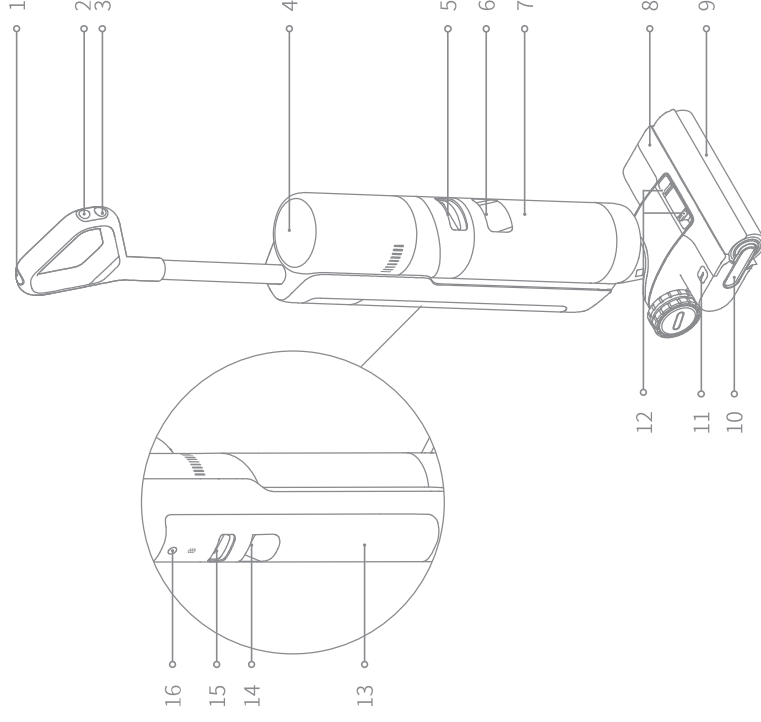
Filtro de repuesto



Cepillo limpiadora

Descripción del producto

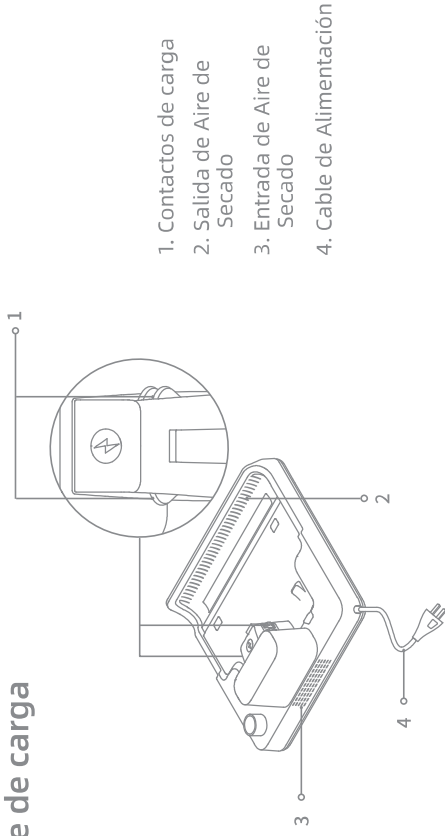
Aspirador



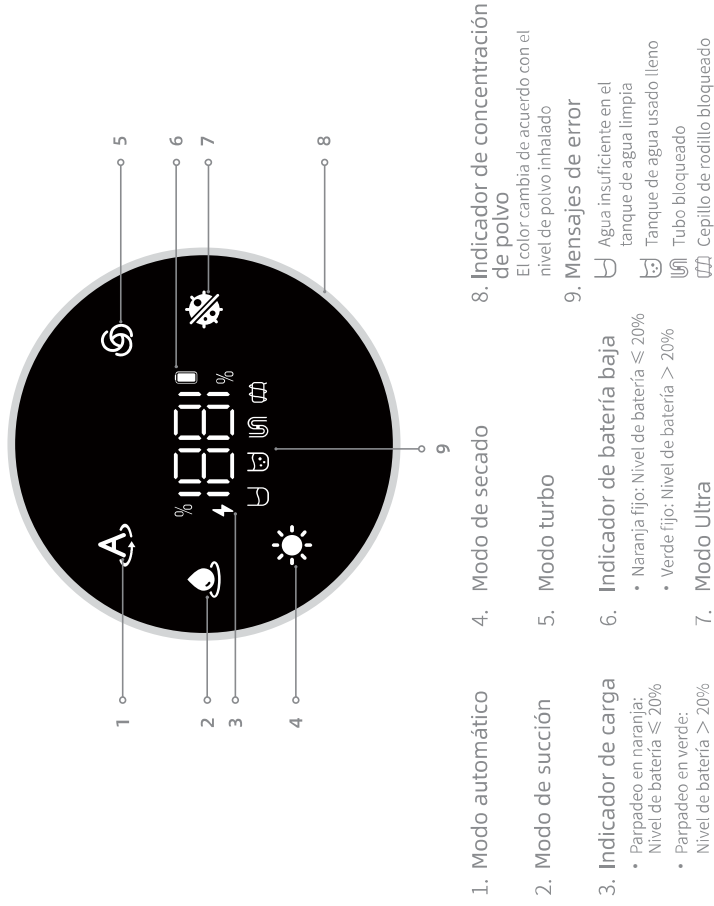
1. Botón de autolimpieza
2. Cambio de modo
3. Interruptor de alimentación
4. Pantalla de visualización
5. Botón de liberación del tanque de agua usada
6. Mango de tanque de agua usada
7. Tanque de agua usada
8. Tapa de cepillo de rodillo
9. Cepillo de rodillo
10. Asa de cepillo de rodillo
11. Botones de liberación de cepillo de rodillo
12. Botones de liberación de tapa de cepillo de rodillo
13. Tanque de agua limpia
14. Asa del tanque de agua limpia
15. Botón de liberación del tanque de agua limpia
16. Botón de aviso de voz
 - Presione brevemente para activar el mensaje de voz o ajustar el volumen
 - Mantenga pulsado durante 3 segundos para acceder a la configuración de idioma. Pulse para cambiar entre idiomas. Mantenga pulso para confirmar la selección

Descripción del producto

Base de carga



Pantalla de visualización

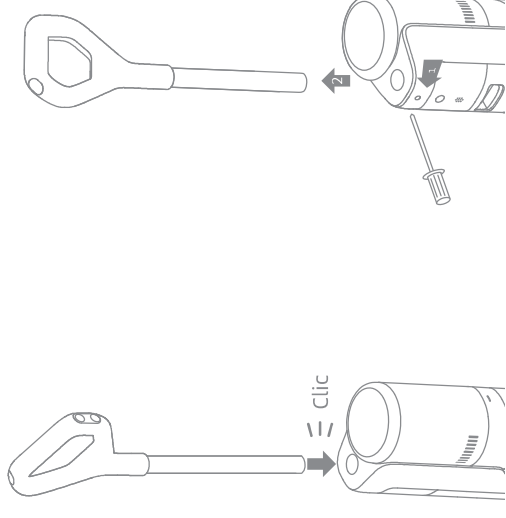


Nota: Si el dispositivo no funciona correctamente, la pantalla mostrará un mensaje de error. Consulte la sección Indicaciones de Error y Soluciones para encontrar su solución.

Instalación

Montaje y Desmontaje del Asa

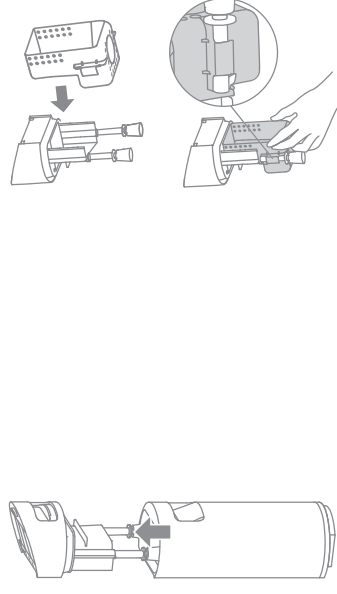
Inserte el extremo del mango verticalmente en el puerto en la parte superior del aparato como se indica hasta que escuche un clic.



Nota: Para desmontar el asa, inserte un objeto duro al orificio en la parte posterior del aspirador para presionar el contacto y, al mismo tiempo, tire el asa hacia arriba.

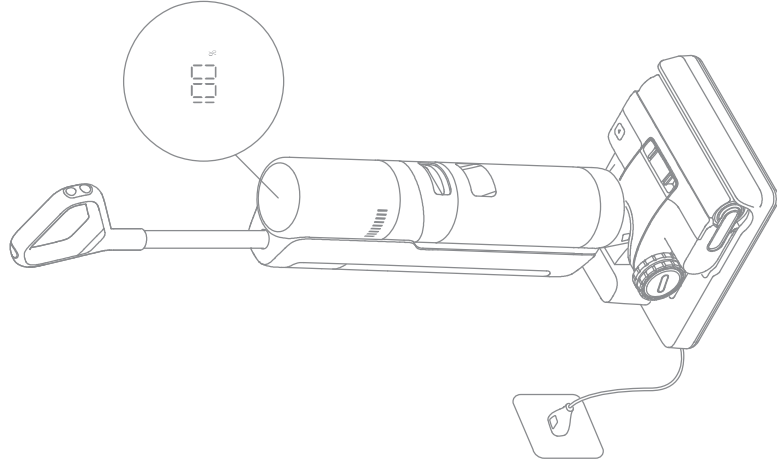
Instalación de la canasta de filtro de residuos sólidos

Retire el tanque de agua usada y levante la cubierta del tanque para instalar la canasta de filtro de residuos sólidos.



Nota: Si la canasta de filtro de residuos sólidos no está instalada, pueden usarse otras funciones con normalidad, salvo que la canasta de filtro de residuos sólidos no puede separarse.

1. Coloque la base de carga contra una pared y conéctela a una fuente de alimentación. Cargue completamente el aparato antes del primer uso.
2. Coloque el aparato en la base de carga. Cuando se muestra el mensaje de voz "Comenzar a Cargar", el aparato habilitará el modo de carga. Durante la carga, el número que aparece en la pantalla representa el nivel actual de la batería en un porcentaje. Cuando el número llega a 100, la batería está completamente cargada.

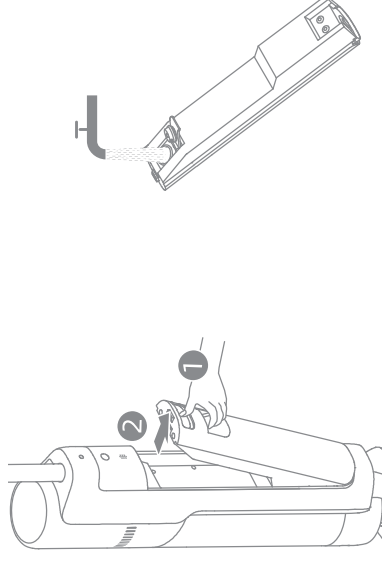


Nota:

- Si no hay ninguna operación dentro de los 10 minutos tras cargarse por completo, el aspirador entrará en modo de suspensión. Reinicie el dispositivo si necesita utilizarlo.
- Para prolongar la vida útil de la batería, la batería sigue enfriándose durante aproximadamente una hora automáticamente después de uso prolongado del aparato.

Llene el tanque de agua limpia

Pulse el botón de liberación del tanque de agua limpia para retirar el tanque. Abra la tapa del tanque y llénelo con agua limpia. Vuelva a instalar el tanque de agua limpia y asegúrese de que encaje en su lugar.

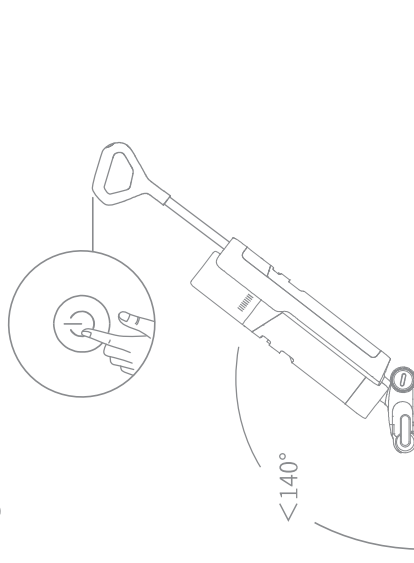


Nota:

- Para un mejor rendimiento de limpieza, se recomienda añadir 10ml de detergente con la tapa de la botella al tanque de agua limpia lleno, luego agitar el tanque suave y uniformemente para su uso.
- No agregue ningún líquido que no sea el detergente aprobado por Dreame. El detergente está disponible en la tienda en línea oficial.

Empiece a limpiar

Pise suavemente la cubierta del cepillo y recline el aparato hacia atrás. Pulse el interruptor de encendido  para empezar a operar.



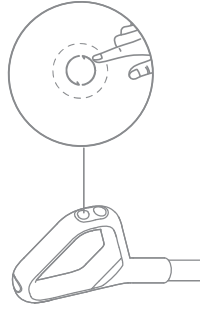
Nota :

- No lo use para aspirar líquidos espumosos.
- Si el aparato se encuentra en posición vertical mientras trabaja, la tarea actual se suspenderá.
- El aparato es adecuado para limpiar piso, mármol, baldosas y otras superficies duras.
- Presione el cepillo contra el suelo cuando lo utilice. No recline el aparato hacia atrás a más de 140° para evitar fuga de agua.
- Cuando el aparato esté en funcionamiento, no lo levante del suelo, no lo incline ni lo recline. Al hacerlo, podría causar que el agua usada penetre en el motor.



Instrucción del uso

Cambiar entre modos

El aparato se enciende en modo automático de manera predefinida. Puede cambiar al modo ultra, modo de succión y modo turbo cuando sea necesario.



Autolimpieza con agua caliente

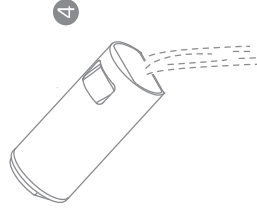
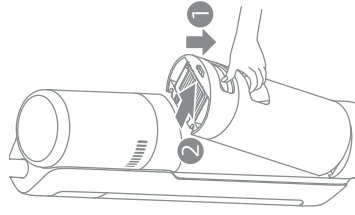
1. Después de que el aparato complete la tarea de limpieza, colóquelo nuevamente en la base y asegúrese de que el agua en el tanque de agua limpia sea suficiente para la autolimpieza.
2. Presione brevemente el botón de autolimpieza  en la parte superior del mango para iniciar la autolimpieza con agua caliente. Cambie entre los modos de autolimpieza según los avisos por voz.
3. Vacíe el tanque de agua usada después de completar la autolimpieza y habilite el modo de secado. Presione el botón  para salir del modo de secado.

Nota:

- La función de autolimpieza solo se puede habilitar cuando el aparato se está cargando y el nivel de la batería está superior al 15%.
- No toque el rodillo de cepillo, el agua caliente y el módulo calefactor en la base de carga durante el proceso de autolimpieza.

Vacíe el tanque de agua usada

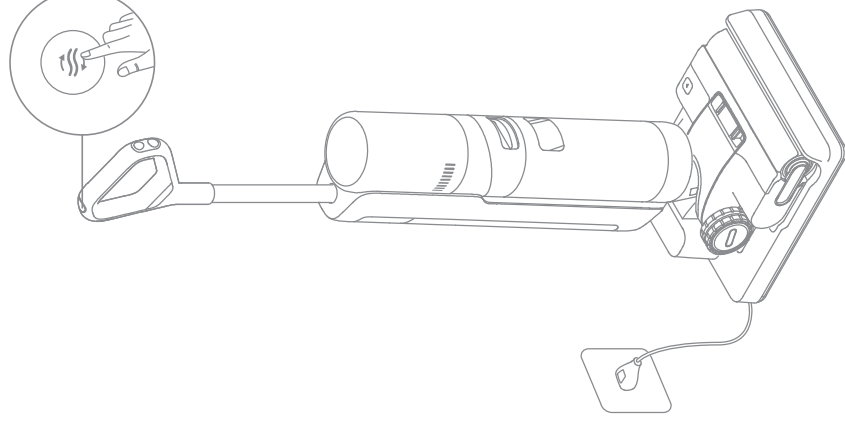
Presione el botón de liberación del tanque de agua usada para sacar el tanque. Levante la cubierta del tanque y vierta el agua usada. Vuelva a instalar la cubierta del tanque y el tanque antes del uso.



Instrucción del uso

Modo de secado

1. Mantenga presionado el botón de autolimpieza  durante 3 segundos para habilitar el modo de secado.
2. El aparato se cargará una vez completado el secado.



Nota:

- Limpie la base de carga si quedan manchas en la base después de completarse la autolimpieza.
- Si limpia el cepillo de rodillo manualmente, séquelo bien al aire o usando el modo de secado varias veces.

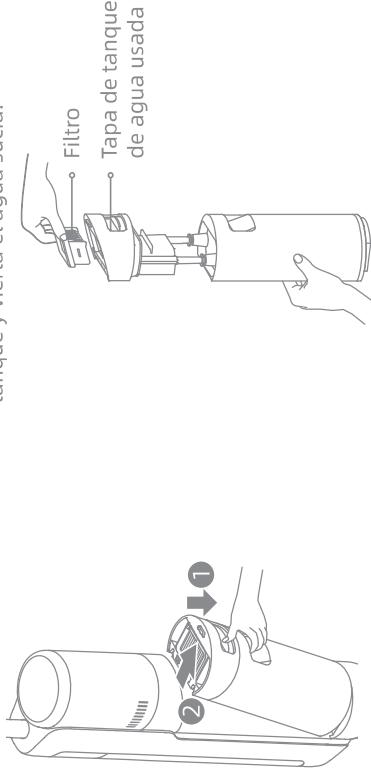
Cuidado y mantenimiento

Consejos :

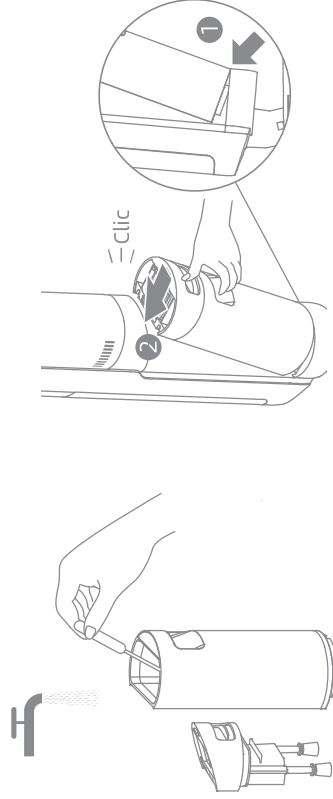
- Apague el aparato antes del mantenimiento. No toque el Interruptor de Alimentación.
- Las piezas deben ser reemplazadas si es necesario. Utilice solamente las piezas designadas por la fábrica original para evitar daños al producto por incompatibilidad.
- Si el aparato no se utiliza durante un período prolongado, cárguelo por completo, desenchufe el adaptador de corriente y guárdelo en un ambiente fresco y con poca humedad, lejos de la luz solar directa. Para evitar una descarga excesiva de la batería, cargue el aparato al menos una vez cada 3 meses.

Limpiar el tanque de agua usada y el filtro

1. Pulse el botón de liberación del tanque de agua usada y retire el tanque de agua usada.
2. Saque el filtro de la cubierta del tanque de agua usada. Levante la cubierta del tanque y vierta el agua sucia.



3. Enjuague el tanque de agua usada y la cubierta del tanque con agua, y limpie la pared interior del tanque con el cepillo de limpieza suministrado.
4. Cierre la tapa del tanque de agua usada, vuelva a instalar el tanque y asegúrese de que encaje en su lugar.



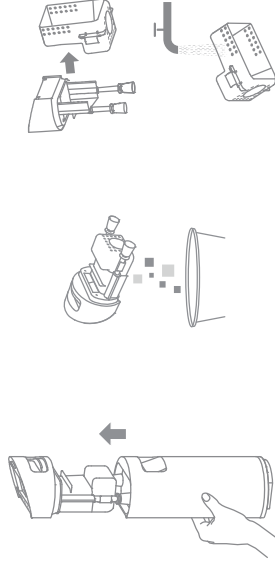
Nota:

- Cuando el filtro esté sucio y necesite lavarse, enjuáguelo con agua. Debe estar completamente seco antes de su uso.
- Se recomienda reemplazar el filtro cada 3 a 6 meses.

Cuidado y mantenimiento

Cambio de la canasta de filtro de residuos sólidos

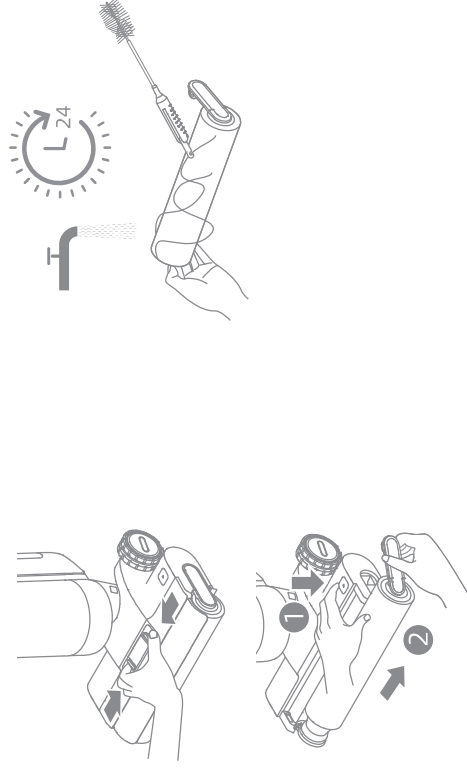
Retire el tanque de agua usada y luego levante la cubierta del tanque. Separe la canasta de filtro de residuos sólidos de la cubierta del tanque y límpiela.



Nota: Si no necesita usar la canasta de filtro de residuos sólidos, puede retirarla.

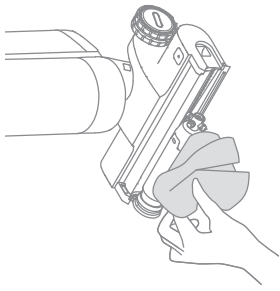
Limpeza del conjunto del cepillo

1. Primero, pulse los botones de liberación de la tapa del cepillo de rodillo hacia adentro en ambos lados para quitarle la tapa. A continuación, pulse el botón de liberación del cepillo de rodillo y el asa del cepillo de rodillo saldrá. Tire del asa para sacar el cepillo de rodillo.
2. Elimine los pelos y otros residuos enredados en el cepillo de rodillo con el cepillo de limpieza provisto. Enjuague el cepillo de rodillo con agua limpia. Seque bien el cepillo de rodillo al aire o con el modo de secado varias veces.

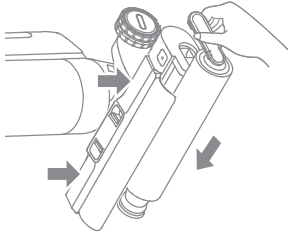


Cuidado y mantenimiento

3. Limpie la entrada de succión con un paño seco o un pañuelo húmedo. No enjuague el conjunto del cepillo con agua.



4. Después de limpiar el cepillo de rodillo, vuelva a instalarlo y su tapa. Oír un clic que indica que están instalados bien.

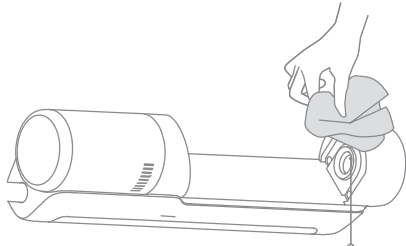


Nota:

- Limpiar según sea necesario. Se recomienda alternar el uso de los dos cepillos de rodillo provistos.
- Se recomienda reemplazar el cepillo de rodillo cada 3 a 6 meses.

Limpieza del tubo y del sensor de suciedad

Retire el tanque de agua usado, limpie el tubo y el sensor de suciedad con un paño húmedo antes de uso.



Sensor de Suciedad

Nota: No enjuague el tubo ni el sensor de suciedad.

Indicación de fallo

Si se produce un error, el dispositivo dejará de funcionar. Consulte la siguiente tabla para resolver problemas. Si el problema persiste, póngase en contacto con el servicio de atención al cliente.

Error	Causa posible	Solución
El aparato no funciona.	El aparato no tiene batería o su nivel de batería es bajo.	Cargue completamente su batería antes de usar.
	El aparato está en posición vertical.	Recline el aparato hacia atrás.
	Modo de protección contra sobrecalentamiento habilitado por bloqueo.	Elimine la obstrucción y espere hasta que la temperatura vuelva a la normalidad.
	El tanque de agua usada está lleno.	Vacíe el tanque de agua usada.
El aparato se carga lentamente.	Las piezas no están instaladas correctamente.	Asegúrese de que todas las piezas están correctamente instaladas.
	La temperatura de la batería está demasiado baja o demasiado alta.	Espera hasta que la temperatura de la batería vuelva a la normalidad.
La potencia de succión del aparato está débil.	El filtro está obstruido.	Limpieza del filtro.
	La entrada o el tubo de succión está bloqueado por un objeto extraño.	Limpie el tubo y la entrada de succión.
El motor produce un ruido extraño.	Hay demasiada agua sucia en el tanque de agua usada.	Vacíe el tanque de agua usada.
	La boquilla de succión principal está bloqueada.	Elimine cualquier obstrucción en la boquilla de succión principal.
El indicador de la concentración de suciedad está en rojo fijo.	El sensor de suciedad necesita limpieza.	El sensor de suciedad está en el tubo. Siga las instrucciones de limpieza del tubo.
	La concentración del detergente está demasiado alta.	Diluya el detergente con agua en la proporción recomendada.
	Una solución de limpieza de terceros provocó una gran cantidad de espuma.	Utilice únicamente el detergente aprobado por nosotros.
	El enchufe de la base de carga no está insertado correctamente en el tomacorriente.	Asegúrese de que el enchufe de la base de carga esté insertado correctamente.
El indicador de estado de la batería no se ilumina durante la carga.	El aparato no está colocado correctamente en la base de carga.	Asegúrese de que el aparato esté colocado en la base de carga correctamente.

No sale agua del aparato.	El tanque de agua limpia no se ha instalado correctamente o está vacío.	Reinstale o llene el tanque de agua limpia.
	Se tarda 30 segundos en humedecer el cepillo giratorio.	Encienda el aparato y verifique nuevamente en 30 segundos.
Fuga de agua por la parte superior del tanque de agua sucia.	Una colisión o un tirón brusco causa que el agua penetre en el motor; no levante el aparato del suelo, no lo incline ni lo recline.	Mueva el aparato suavemente hacia delante y hacia atrás y presione el cepillo contra el suelo cuando lo utilice.
	El filtro no está completamente seco después de ser limpiado.	Seque completamente el filtro antes de usarlo.
Autolimpieza fracasó.	El cepillo de rodillo puede estar bloqueado por partículas grandes.	Abra la tapa del cepillo de rodillo para comprobar y limpiar el cepillo de rodillo.
	El aparato no está colocado correctamente en la base de carga.	Asegúrese de que el aparato se esté cargando antes de activar la función de autolimpieza.
	La autolimpieza no se puede iniciar si el nivel de la batería está inferior al 15%.	La función de autolimpieza sólo se puede activar cuando el aspirador está cargado y el nivel de la batería está superior al 15%.
	El tanque de agua usada no está instalado correctamente o está lleno.	Vuelva a instalar o vacíe el tanque de agua usada.
Mal rendimiento de secado o ruido extraño durante el secado.	El tanque de agua limpia no se ha instalado correctamente o está vacío.	Reinstale o llene el tanque de agua limpia.
	La salida de aire y la entrada de aire de la base de carga pueden estar bloqueadas.	Verifique y elimine cualquier obstrucción de la salida de aire y la entrada de aire.

Para servicios adicionales, póngase en contacto con nosotros a través de aftersales@dreametech.com o <https://global.dreametech.com>

Si la aspiradora no funciona con normalidad, en la pantalla aparecerá un mensaje de error. Consulte la tabla siguiente para encontrar la solución al problema en función del mensaje de error.

Icono del error	Causa posible	Soluciones
	Agua insuficiente en el tanque de agua limpia	Llene el tanque de agua limpia.
	Tanque de agua usado lleno	Vacíe el tanque de agua usada.
	Cepillo de rodillo bloqueado	Limpie el cepillo de rodillo con el cepillo de limpieza provisto.
	Tubo bloqueado	Compruebe si el filtro está obstruido. Como alternativa, limpie el tubo y el sensor de suciedad.
	El rodillo de cepillo y el tubo están sucios	Coloque el aparato de nuevo en la base para la autolimpieza.

Código de error	Causa posible	Soluciones
E1-E7	Error	Reinicie el dispositivo para solucionar problemas. Si el problema persiste, póngase en contacto con el servicio de atención al cliente.
H1-H6		Espera hasta que la temperatura de la batería vuelva a la normalidad antes de seguir usando el aspirador.
H7	Falla de batería.	Espera hasta que la temperatura de la batería vuelva a la normalidad antes de seguir usando el aspirador.

Aspirador	
Modelo	HHR27C
Tiempo de carga	Aprox. 4 horas (incluido el secado)
Tiempo de secado	Aprox. 30 min.
Voltaje nominal	21,6 V ===
Voltaje de carga	27 V ===
Potencia nominal	300 W
Capacidad del Tanque de Agua Usada	700 mL
Capacidad de Tanque de Agua Limpia	900 mL
Base de carga	
Modelo	HCBC
Potencia nominal de entrada*	234 W
Entrada nominal	220-240 V ~ 50-60 Hz
Salida nominal	27 V === 1,6 A

*La potencia nominal de entrada de la base de carga se mide cuando la función de secado y la función de carga está activadas al mismo tiempo.

La batería de iones de litio incorporada contiene sustancias que son peligrosas para el medio ambiente. Antes de desechar la batería, asegúrese de sean retiradas por técnicos calificados y que la desecho en una instalación de reciclaje adecuada.

- se debe quitar la batería del aparato antes de desecharlo;
- el aparato debe estar desconectado de la red de alimentación cuando se quita la batería;
- la batería debe desecharse de forma segura.

Guía de Extracción

1. Quite la pantalla de visualización girándola con una herramienta.
2. Quite los tornillos de la tapa de batería uno a uno y luego abra la tapa con las herramientas adecuadas.
3. Desconecte los terminales entre la batería y la placa PCB para quitar la batería.

PRECAUCIÓN:

- Antes de quitar la batería, desconecte la alimentación y agote la batería tanto como sea posible.
- Las baterías quitadas deben desecharse en una instalación de reciclaje adecuada.
- No las exponga a alta temperatura para evitar riesgos de explosión.
- En condiciones áspersas, es posible que gotee líquido de la batería. Si ocurre contacto, enjuague con agua y busque ayuda médica.

Важные меры предосторожности

Перед использованием внимательно прочтите данную инструкцию. Сохраните ее для дальнейшего использования в справочных целях.

Во время использования электрических приборов необходимо всегда соблюдать базовые меры предосторожности, включая следующие:

ПЕРЕД ИСПОЛЬЗОВАНИЕМ (ДАННОГО ПРИБОРА) ПРОЧИТАЙТЕ ВСЕ ИНСТРУКЦИИ.

Нарушение предупреждений и инструкций может привести к поражению током, возгоранию или серьезным травмам.

ПРЕДУПРЕЖДЕНИЕ! Для снижения риска возгорания, поражения током или травм:

Ограничения по использованию

- Не допускается использование этого изделия детьми младше 8 лет, а также лицами с ограниченными физическими, сенсорными или умственными способностями или с ограниченным опытом или знаниями без присмотра родителя или опекуна для обеспечения безопасной эксплуатации и во избежание рисков. Не позволяйте детям осуществлять чистку и техническое обслуживание устройств без присмотра.
- Пластиковый защитный материал может быть опасен. Не храните его рядом с детьми во избежание удушья.
- Используйте прибор только в помещении и на таких нековровых поверхностях, как ПВХ, плитка, ламинат и др. Пылесос не должен проезжать по неплотным поверхностям либо вдоль краев ковров. Заклинивание щетки может привести к повреждению ремня раньше срока.
- Используйте прибор только согласно инструкциям в руководстве по эксплуатации. Используйте только аксессуары, рекомендованные производителем.
- Запрещается подвергать прибор воздействию огня либо высокой температуры. При контакте с огнем или при высокой температуре может произойти взрыв.
- Запрещается использовать прибор при экстремальной температуре (ниже 5°C /41°F или выше 40°C/104°F). Выполняйте зарядку прибора при температуре выше 40°C/104°F и ниже 40°C/104°F.
- Запрещается погружать прибор в жидкость.
- Запрещается использовать прибор для уборки легко воспламеняющихся или горючих жидкостей, например бензина. Запрещается использовать в местах, где могут быть вышележающие жидкости.
- Запрещается размещать предметы в отверстиях. Запрещается использовать прибор в случае засорения отверстия. Поддерживайте проходимость воздуха через отверстия и удаляйте пыль, ворсинки, волосы и другие элементы.
- Не используйте пылесос для уборки токсичных веществ (например отбеливатель, аммиак, пятновыводитель и др.). Запрещается собирать с помощью пылесоса стекло, гвозди, болты, монеты и др.
- Запрещается использовать прибор в местах испарения масляной краски и других субстанций. Запрещается собирать горящие либо дымящиеся предметы, например сигареты, спички либо пепел.
- Запрещается использовать прибор без установленных фильтров.
- Держите волосы, свободную одежду, пальцы и другие части тела на расстоянии от отверстий и движущихся деталей прибора и его аксессуаров.
- Во время использования прибора уберите все шнуры питания с пола, так как в случае наезда на них может возникнуть опасность.
- Будьте предельно осторожны во время очистки лестницы.

Важные меры предосторожности

Обслуживание и хранение

- Не допускайте непреднамеренных запусков. Перед тем, как поднимать либо переносить прибор убедитесь, что выключатель находится в позиции Выкл. Перенос прибора с зажженным выключателем либо во включенном состоянии может привести к несчастным случаям.
- Убедитесь, что прибор размещен на горизонтальной поверхности. Запрещается использовать прибор в аналогичной позиции, если ролик щетки или ручка находятся не вертикально. Запрещается хранить прибор в месте с риском заморозки.
- Выключайте прибор и отсоединяйте его от розетки, когда он не используется, перед очисткой, ремонтом или обслуживанием, а также перед подсоединением или отсоединением вращающейся щетки.
- Запрещается использовать поврежденный или модифицированный прибор. Испорченные либо модифицированные аккумуляторы могут вести себя непредсказуемо, что может вызвать возгорание, взрыв либо риск получения травм.
- Запрещается модифицировать либо чинить прибор способами, отличными от указанных в руководстве по использованию и уходу.
- Запрещается использовать прибор с поврежденными деталями (например, зарядной базой, кабелем и др.). Если деталь повреждена, необходимо выполнить ее замену у производителя, сервисного агента или другого квалифицированного персонала во избежание опасностей.
- Выполняйте техобслуживание только с помощью квалифицированного персонала и используйте только идентичные детали для замены. Это позволит гарантировать безопасность изделия.

Аккумулятор и зарядка

- Для подзарядки прибора используйте только базу в комплекте. Разрешается использовать только зарядную базу HCBС.
- Следуйте инструкциям по зарядке и не заряжайте прибор в среде с температурой выше указанной на аккумуляторе, так как это повышает риск возгорания.
- База для зарядки оснащена функцией просушки и подходит только для просушки щетки прибора.
- Держите базу для зарядки вдали от нагретых поверхностей. Запрещается трогать разъем базы для зарядки и прибор влажными руками. Чтобы вытащить разъем базы для зарядки, возьмитесь за него, а не дергайте за кабель.
- Запрещается тащить и нести базу для зарядки с помощью кабеля, а также использовать его в качестве ручки, прижимать его дверью или обматывать вокруг острых краев и углов.
- Данное изделие оснащено аккумулятором, замену которого должны выполнять только квалифицированные технические специалисты или представители послепродажного обслуживания.
- В литий-ионном аккумуляторном блоке содержатся опасные для окружающей среды элементы. Перед утилизацией прибора сначала извлеките аккумуляторный блок, затем вы можете его утилизировать или переработать в соответствии с местными законами и правилами в стране или регионе применения.
- При извлечении аккумулятора необходимо отключить прибор от электропитания. Храните аккумуляторы в недоступном для детей месте. Запрещается класть аккумуляторы в рот. В случае проглатывания свяжитесь с терапевтом либо местным отделом контроля опасных веществ.
- В условиях, противоречащих установленным, запрещается прикасаться к аккумулятору, из которого вытекает жидкость. Если контакта не удалось избежать, промойте место контакта водой. В случае попадания аккумулятора жидкости в глаза, немедленно

Важные меры предосторожности

обратиться за медицинской помощью. Аккумуляторная жидкость может вызывать раздражение или ожог.

- Не используйте неперезаряжаемые батареи. Невыполнение этого требования может привести к воспламенению литий-ионного аккумулятора.

Знаки



Оборудование класса II



Задержка по времени миниатора плавкая вставка где T 3,15A обозначает время/ток



Информация об утилизации и переработке отходов электрического и электронного оборудования

Все изделия с символом раздельного сбора отработанного электрического и электронного оборудования (Директива WEEE 2012/19/EU) следует утилизировать отдельно от несортируемых бытовых отходов. С целью охраны здоровья и защиты окружающей среды такое оборудование необходимо сдавать на переработку в специальные пункты приема электрического и электронного оборудования, определенные правительством или местными органами власти. Правильная утилизация и переработка помогут предотвратить возможные негативные последствия для окружающей среды и здоровья человека. Для получения информации о местонахождении и порядке приема устройств в пунктах приема обратитесь в компанию, занимающуюся установкой оборудования, или в местные органы власти.

Меры предосторожности при хранении и транспортировке:

- Продукт должен транспортироваться в упаковке. Не подвергайте продукт давлению или ударам во время транспортировки.
- Пожалуйста, избегайте сильных столкновений во время транспортировки.
- Не транспортируйте прибор при температуре выше 50 °C или ниже -20 °C.
- В течение короткого периода, например одного месяца, прибор рекомендуется хранить при температуре от -20 °C до 50 °C и относительной влажности 60 % ± 5 %. В течение длительного времени храните прибор при температуре окружающей среды от 0 °C до 40 °C.
- Утилизируйте прибор надлежащим образом. Когда его срок службы подойдет к концу, утилизируйте прибор в соответствии с местными законами и правилами страны или реги она, в котором он используется.

Правила и условия реализации: без ограничений.

Импортер продает этот продукт: информацию об импортере см. на упаковке.

Сведения об импортере и контактная информация отдела послепродажного обслуживания указаны на упаковке.

Дата изготовления: см. на упаковке.

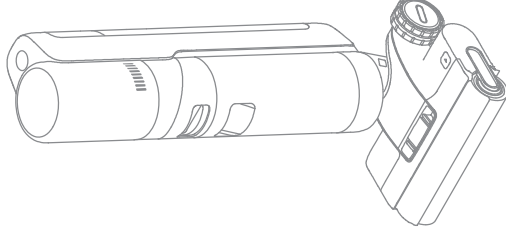
Срок службы продукции 3 года.

Мы, компания Dreame Trading (Tianjin) Co., Ltd., настоящим заявляем, что данное изделие соответствует требованиям всех действующих директив ЕС и европейских стандартов со всеми изменениями и дополнениями. Полный текст декларации о соответствии нормативным требованиям ЕС доступен по адресу: <https://global.dreame-tech.com>

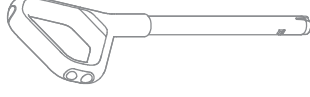
Подробное электронное руководство см. по адресу <https://global.dreame-tech.com/pages/user-manuals-and-faqs>

Обзор изделия

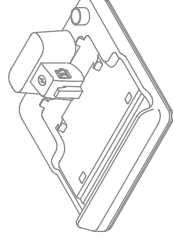
Комплектация



Корпус



Ручка



База для зарядки



Запасная роликовая щетка



Каркас фильтра для твердого мусора



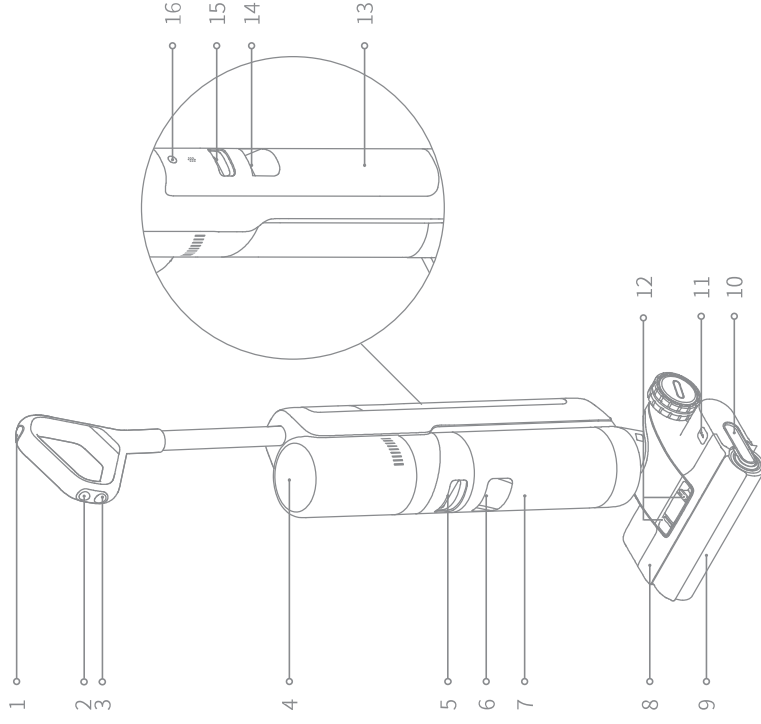
Сменный фильтр



Чистящая щетка

Обзор изделия

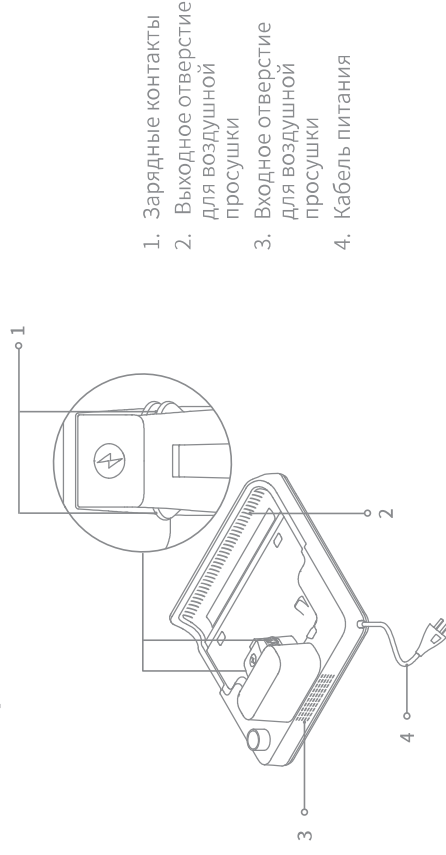
Сухая и влажная уборка



1. Кнопка самоочистки
2. Переключатель режимов
3. Переключатель
4. Дисплей
5. Кнопка отсоединения бака с отработанной водой
6. Ручка бака с отработанной водой
7. Бак с отработанной водой
8. Крышка роликовой щетки
9. Роликовая щетка
10. Ручка роликовой щетки
11. Кнопка отсоединения роликовой щетки
12. Кнопки открытия крышки роликовой щетки
13. Бак с чистой водой
14. Ручка очистки бака с чистой водой
15. Кнопка очистки бака с чистой водой
16. Кнопка голосовых напоминаний
Нажмите и удерживайте в течение 3 секунд, чтобы перейти в языковые настройки. Нажмите, чтобы переключить язык. Нажмите и удерживайте, чтобы подтвердить выбор

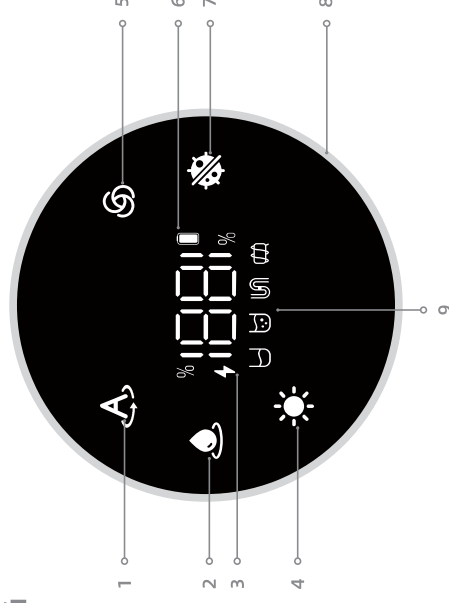
Обзор изделия

База для зарядки



1. Зарядные контакты
2. Выходное отверстие для воздушной просушки
3. Входное отверстие для воздушной просушки
4. Кабель питания

Дисплей

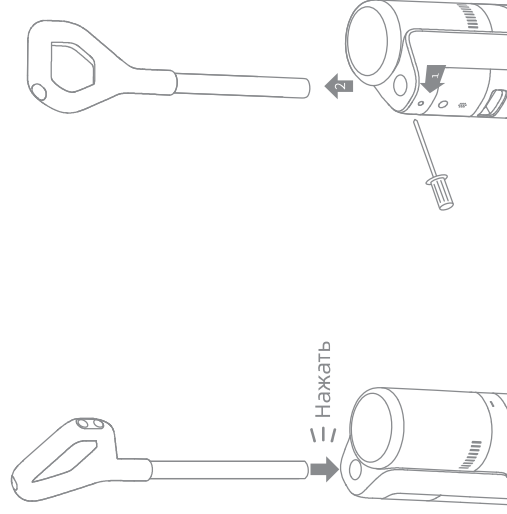


1. Автоматический режим
2. Режим всасывание
3. Зарядный индикатор
 - Мигает оранжевым: Уровень зарядки аккумулятора $\leq 20\%$
 - Мигает зеленым: Уровень зарядки аккумулятора $> 20\%$
4. Режим просушки
5. Режим просушки
6. Индикатор низкого заряда батареи
 - Постоянно горит оранжевым: Уровень зарядки аккумулятора $\leq 20\%$
 - Постоянно горит зеленым: Уровень зарядки аккумулятора $> 20\%$
7. Режим Ультра
8. Индикатор концентрации пыли
Цвет кривой изменяется вслед за уровнем скопившейся пыли в реальном времени
9. Сообщения об ошибках
 - В баке недостаточно чистой воды
 - Бак с отработанной водой переполнен
 - Трубка засорилась
 - Роликовая щетка заблокирована

Примечание: Если прибор работает некорректно, на дисплее отобразится сообщение об ошибке. См. таблицу устранения неисправностей для поиска решения.

Установка ручки

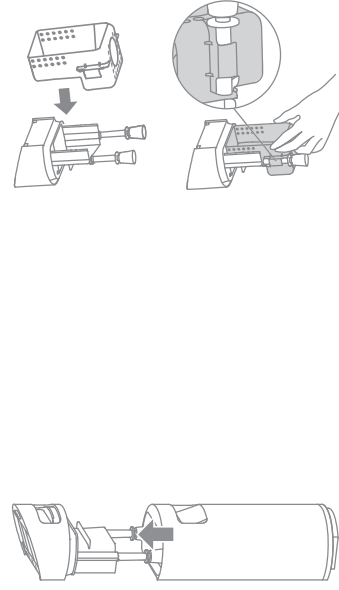
Вставьте конец ручки вертикально в отверстие в верхней части устройства, как показано на рисунке, и вдавите ручку до щелчка.



Примечание: Чтобы снять ручку, нажмите на контакт в отверстии задней части пылесоса и одновременно потяните ручку вверх.

Установка каркаса фильтра для твердого мусора

Выньте бак для использованной воды и поднимите крышку бака, чтобы установить каркас фильтра для твердого мусора.

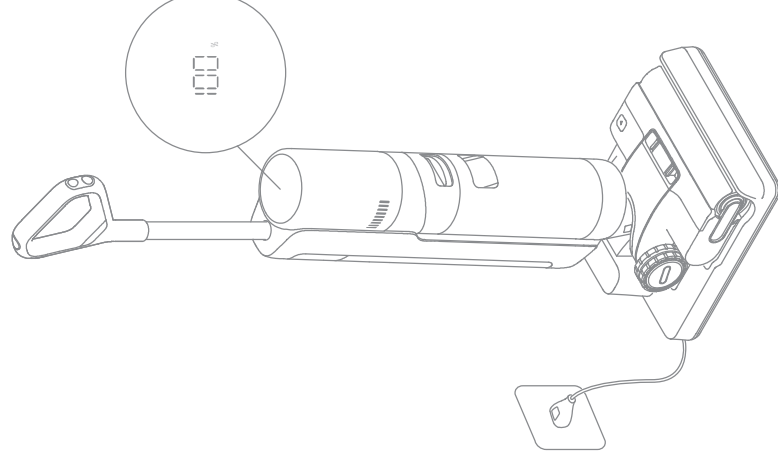


Примечание: Если каркас фильтра для твердого мусора не установлен, другие функции устройства могут работать исправно, но твердый мусор отделить будет невозможно.

Зарядка

1. Установите базу для зарядки на горизонтальной поверхности перпендикулярно стене и подключите ее к источнику питания. Перед тем как начать использовать прибор, полностью зарядите его.

2. Установите прибор на базу для зарядки. Прибор перейдет в режим подзарядки, когда появится голосовая команда «Начать подзарядку». В процессе подзарядки цифра на дисплее показывает текущий уровень заряда аккумулятора в процентах. Когда цифра достигнет 100, аккумулятор будет полностью заряжен.



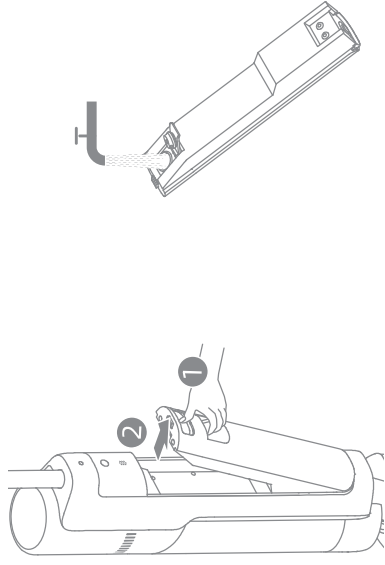
Примечание:

- Если в течение 10 минут после полной зарядки пылесос не используется, он перейдет в спящий режим. Чтобы использовать прибор, перезагрузите его.
- С целью увеличения срока службы аккумулятора автоматически охлаждается в течение часа после длительного использования прибора.

Порядок использования

Заполните бак с чистой водой

Нажмите на кнопку отсоединения бака с чистой водой, чтобы извлечь бак. Откройте крышку и наполните бак чистой водой. Повторно установите бак с чистой водой на место так, чтобы раздался щелчок.

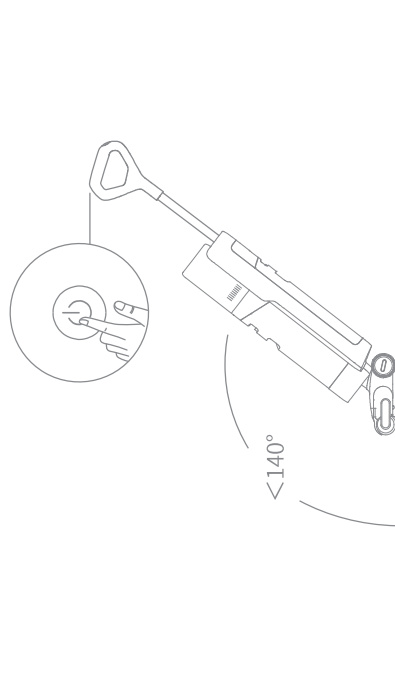


Примечание:

- Для повышения качества очистки рекомендуется добавить 10 мл чистящего средства в колпачке в наполненный бак с чистой водой, а затем аккуратно его встряхнуть равномерными движениями.
- Запрещается добавлять жидкости и чистящие средства, не одобренные к применению. Чистящее средство доступно в официальном онлайн-магазине.

Начать уборку

Слегка наступите на крышку щетки и откиньте устройство назад. Нажмите переключатель питания , чтобы начать работу.



Примечание :

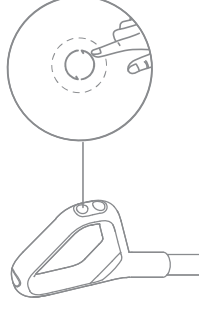
- Запрещается использовать для уборки пенящиеся жидкости.
- Если во время работы прибор перейдет в вертикальное положение, текущая задача будет приостановлена.
- Прибор подходит для очистки обычных полов, мрамора, кафельной плитки и других твердых поверхностей.

Порядок использования



- При использовании устройства прижимайте щетку к полу. Не наклоняйте прибор назад на угол более 140° для предотвращения протечки воды.
- Во время работы устройства не поднимайте его над полом, не наклоняйте и не кладите горизонтально. Это может привести к попаданию использованной воды в двигатель.

Переключение режимов

По умолчанию прибор включен в автоматическом режиме, при необходимости можно переключиться на ультра-режим, режим всасывания или турбо-режим.



Самоочистка горячей водой

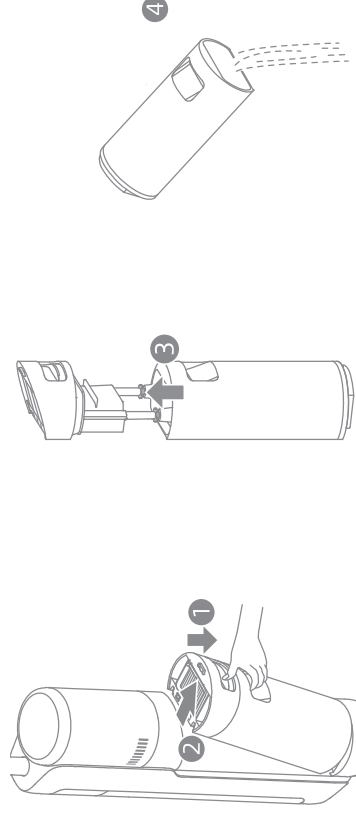
1. После того как прибор завершит задачу уборки, разместите его обратно на базу и убедитесь, что в баке с чистой водой достаточно жидкости для самоочистки.
2. Однократно нажмите кнопку самоочистки  в верхней части рукоятки, чтобы начать самоочистку горячей водой. Переключайтесь между режимами самоочистки с помощью голосовых подсказок.
3. Удалите содержимое бака с отработанной водой после завершения самоочистки и начала режима просушки. Нажмите на кнопку , чтобы выйти из режима просушки.

Примечание :

- Функция самоочистки может быть включена, только если прибор заряжается и уровень заряда аккумулятора составляет более 15%.
- Не прикасайтесь к щеточному валу, горячей воде и нагревательному модулю зарядной базы во время процесса самоочистки.

Удалите содержимое бака с отработанной водой

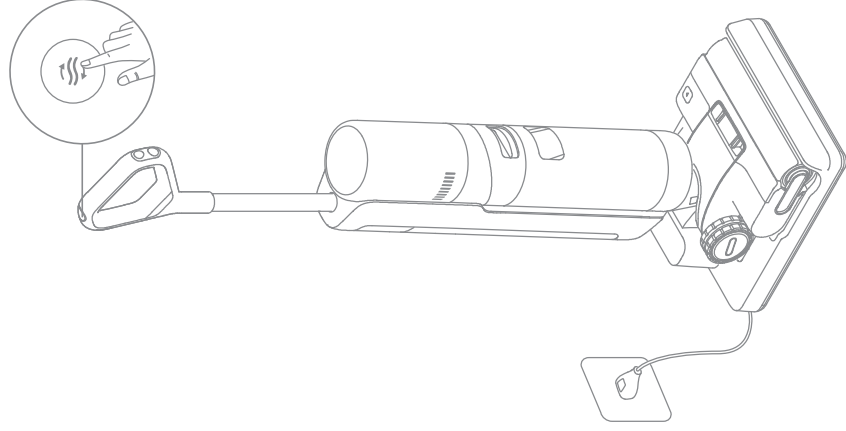
Нажмите кнопку разблокировки бака для использованной воды, чтобы вынуть бак. Поднимите крышку бака и вылейте использованную воду. Установите крышку бака и сам бак на место, перед тем как начать пользоваться устройством.



Порядок использования

Режим просушки

1. Нажмите и удерживайте кнопку самоочистки  в течение 3 секунд, чтобы активировать режим просушки.
2. После окончания просушки прибор будет заряжен.



Примечание.

- После завершения самоочистки немедленно очистите бак с отработанной водой. Если на базе для зарядки останутся пятна, очистите ее.
- В случае очистки роликовой щетки вручную тщательно просушите ее в естественных условиях или просушите несколько раз в режиме просушки. Это улучшит качество просушки.

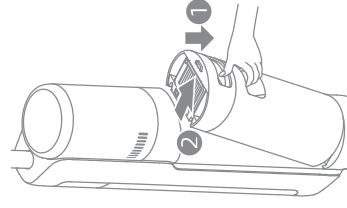
Ремонт и обслуживание

Инструкции:

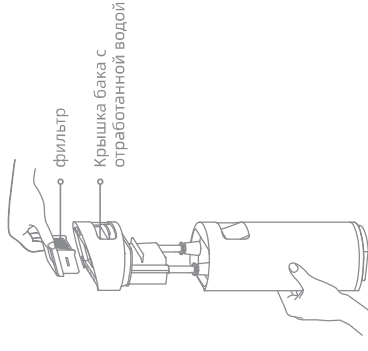
- Перед ремонтом выключите прибор. Не нажимайте переключатель.
- По необходимости может потребоваться заменить компоненты. Используйте компоненты, изготовленные на заводе-изготовителе во избежание повреждения изделия из-за несовместимости.
- Если прибор не используется продолжительное время, полностью зарядите его, отключите адаптер от источника питания и оставьте пылесос на хранение в прохладном месте с низкой влажностью вдали от прямых солнечных лучей. Во избежание глубокой разрядки аккумулятора проводите зарядку прибора минимум раз в 3 месяца.

Очистка бака с отработанной водой и фильтра

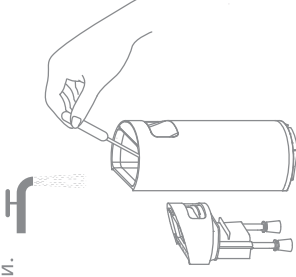
1. Нажмите на кнопку отсоединения бака с отработанной водой и извлеките бак.



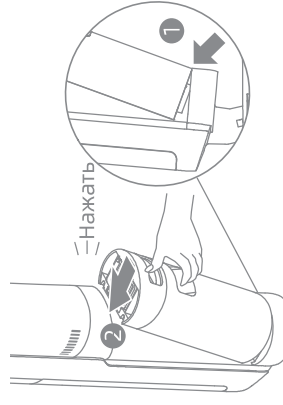
2. Выньте фильтр из крышки бака для использованной воды. Поднимите крышку бака и вылейте использованную воду.



3. Промойте бак для использованной воды и крышку бака водой и очистите внутреннюю стенку бака с помощью чистящей щетки, входящей в комплект поставки.



4. Закройте крышку бака с отработанной водой, повторно установите бак на место так, чтобы раздался щелчок.



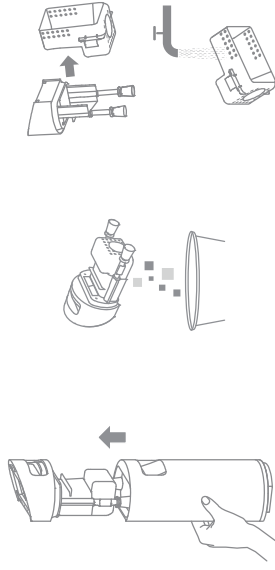
Примечание.

- Если фильтр загрязнился, ополосните его чистой водой и полностью просушите, прежде чем продолжить использовать.
- Рекомендуется выполнять замену фильтра каждые 3-6 месяцев.

Ремонт и обслуживание

Очистка каркаса фильтра для твердого мусора

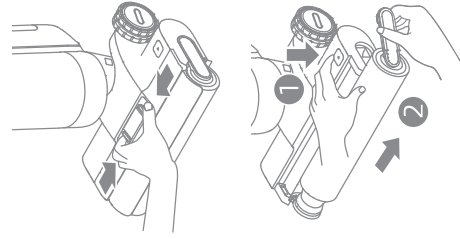
Выньте бак для использованной воды и поднимите крышку бака. Выньте каркас фильтра для твердого мусора из крышки бака и очистите его.



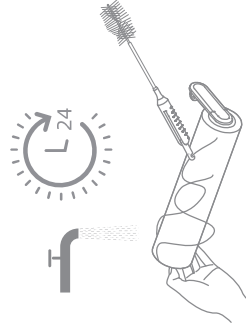
Примечание: Если вам не нужен каркас фильтра для твердого мусора, его можно снять.

Очистка модуля щетки

1. Сначала нажмите на кнопку открытия крышки роликовой щетки внутрь с обеих сторон, чтобы снять крышку. Затем нажмите на кнопку отсоединения роликовой щетки. Когда выпадет ручка роликовой щетки, потяните ее, чтобы извлечь щетку.

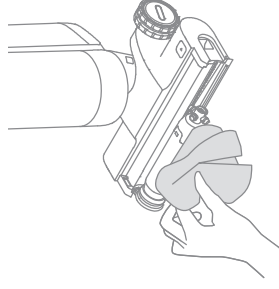


2. Удалите волосы и загрязнения, запутавшиеся в роликовой щетке, с помощью чистящей щетки в комплекте. Промойте роликовую щетку чистой водой и тщательно просушите ее естественным способом либо с помощью режима просушки несколько раз.

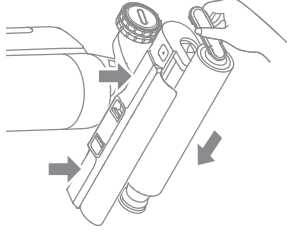


Ремонт и обслуживание

3. Протрите всасывающее отверстие с помощью сухого полотенца или влажной салфетки. Запрещается промывать модуль щетки водой.



4. После очистки роликовой щетки повторно установите щетку и крышку на место так, чтобы раздался щелчок.



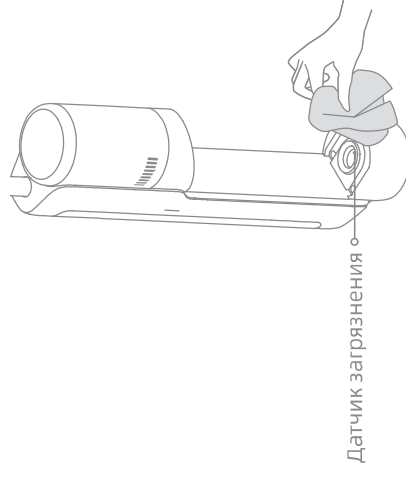
Примечание.

- Выполняйте очистку согласно требованию. Рекомендуется поочередно использовать две роликовые щетки в комплекте.
- Рекомендуется выполнять замену роликовой щетки каждые 3-6 месяцев.

Очистка трубки и датчика загрязнения

Извлеките бак с отработанной водой, протрите трубку и датчик загрязнения влажным полотенцем перед использованием.

Примечание. Запрещается промывать трубку и датчик загрязнения.



Примечание. Запрещается промывать трубку и датчик загрязнения.

В случае возникновения ошибки прибор перестанет работать. Для устранения неисправностей см. таблицу ниже. Если проблема не будет устранена, свяжитесь со службой поддержки.

Ошибка	Возможная причина	Решение
Прибор не работает	Прибор разрядился или уровень заряда низкий	Полностью зарядите аккумулятор перед использованием
	Прибор находится в вертикальном положении	Наклоните прибор назад
	Из-за засорения активирован режим защиты от перегрева	Удалите блокирующие предметы и подождите, пока температура вернется в норму
Прибор заряжается медленно	Бак с отработанной водой переполнен	Очистите бак с отработанной водой
	Детали не устанавливаются на месте	Убедитесь, что все детали правильно установлены
Прибор заряжается медленно	Температура аккумулятора слишком высокая или слишком низкая	Подождите, пока температура аккумулятора вернется к нормальному значению
	Фильтр засорился	Очистка фильтра
Сила всасывания прибора слабая	Во входное отверстие для всасывания или трубку попал посторонний предмет	Очистите трубку и всасывающее отверстие
	В баке с отработанной водой скопилось слишком много жидкости	Очистите бак с отработанной водой
Двигатель издает странный шум	Основное отверстие всасывания засорилось	Удалите предмет, блокирующие основное отверстие всасывания
	Необходимо очистить датчик загрязнения	Датчик загрязнения находится в трубке. Следуйте инструкциям по очистке трубки
Индикатор концентрации загрязнений постоянно горит красным	Концентрация чистящего средства слишком высокая	Разбавьте чистящее средство водой в рекомендованной пропорции
	Из-за стороннего чистящего средства образовалось много пены	Используйте только одобренное чистящее средство

Во время зарядки индикатор статуса аккумулятора не загорается	Кабель базы для зарядки не вставлен в электрическую розетку	Убедитесь, что кабель базы для зарядки подключен
Из прибора не появляется вода	Прибор некорректно установлен на базе для зарядки	Убедитесь, что прибор корректно установлен на базе для зарядки
	Бак с чистой водой установлен некорректно либо бак пустой	Повторно установите либо наполните бак с чистой водой
Вода вытекает из бака для отработанной воды	Для намочения роликовой щетки требуется 30 секунд	Включите прибор и проверьте повторно через 30 секунд
	При столкновении или резком рывке вода может попасть в двигатель; поднимите устройство над полом, наклоните его или положите горизонтально	Во время использования плавно перемещайте устройство вперед и назад и прижимайте щетку к полу
Сбой самоочистки	После очистки фильтр был просушен не полностью	Перед использованием тщательно просушите фильтр
	Крупные частицы блокируют роликовую щетку	Откройте крышку роликовой щетки, проверьте и очистите ее
Сбой самоочистки	Прибор некорректно установлен на базе для зарядки	Перед включением функции самоочистки убедитесь, что прибор заряжается
	Функция самоочистки не может быть включена, если уровень заряда аккумулятора ниже 15%	Функция самоочистки может быть включена, только если пылесос заряжен и уровень заряда аккумулятора составляет более 15%
Плохой результат сушки или странный шум во время сушки	Бак с отработанной водой установлен некорректно или бак переполнен	Повторно установите бак с отработанной водой или вылейте содержимое
	Бак с чистой водой установлен некорректно либо бак пустой	Повторно установите или наполните бак с чистой водой
Для получения дополнительных услуг свяжитесь с нами по адресу aftersales@dreamatech https://global.dreamatech.com	Входное и выходное отверстия для воздуха могли заблокироваться	Проверьте входное и выходное отверстия для воздуха и очистите

Если пылесос работает некорректно, на дисплее отобразится сообщение об ошибке. См. таблицу устранения неисправностей для поиска решения.

Значок ошибки	Возможная причина	Решение
	В баке недостаточно чистой воды	Наполните бак с чистой водой
	Бак с отработанной водой переполнен	Очистите бак с отработанной водой
	Роликовая щетка заблокирована	Очистите роликовую щетку с помощью чистящей щетки в комплекте
	Трубка засорилась	Проверьте фильтр на наличие засорений. Также попробуйте очистить трубку и датчик загрязнения
	Щеточный валик и труба загрязнены	Установите устройство обратно на базовую станцию для самоочистки

Код ошибки	Возможная причина	Решение
E1-E7	Ошибка	Перезагрузите прибор, чтобы устранить неисправность. Если проблема не будет устранена, свяжитесь со службой поддержки
H1-H6		
H7	Ошибка аккумулятора	Свяжитесь со службой поддержки

Сухая и влажная уборка		
Модель	NHR27C	ок. 4 часов (включая просушку)
Номинальное напряжение	21,6 V ===	Около 30 минут
Номинальная мощность	300 W	Напряжение зарядки
		27 V===
Номинальная мощность	300 W	Объем бака с отработанной водой
		700 mL
Номинальная мощность	300 W	Объем бака с чистой водой
		900 mL
База для зарядки		
Модель	НСВС	Номинальная входная мощность*
Номинальный вход	220-240 V ~ 50-60 Hz	Номинальная выходная мощность
		27 V === 1,6 A

*Номинальная входная мощность зарядной базы измеряется при одновременном включении функций сушки и зарядки.

Извлечение и утилизация аккумулятора

Встроенный литий-ионный аккумулятор содержит опасные для окружающей среды вещества. Аккумулятор должен быть извлечен квалифицированными техническими специалистами и утилизирован в приспособленном для этого месте.

- перед утилизацией аккумулятор необходимо извлечь из прибора;
- перед извлечением аккумулятора необходимо отключить прибор от источника энергии;
- аккумулятор необходимо утилизировать безопасным способом.

Инструкция по извлечению

1. Открутите дисплей с помощью инструмента.
2. По очереди извлеките винты из крышки аккумулятора и затем откройте крышку с помощью инструмента.
3. Отсоедините провода терминалов между аккумулятором и печатной платой и извлеките аккумулятор.

МЕРЫ ПРЕДОСТОРОЖНОСТИ:

- Перед извлечением аккумулятора отключите прибор от источника питания и максимально израсходуйте заряд аккумулятора.
- Ненужные аккумуляторы необходимо утилизировать в приспособленном для этого месте.
- Запрещается оставлять изделие при высокой температуре во избежание взрывов.
- В случае повреждения аккумулятора жидкость может вытечь. При соприкосновении с жидкостью промойте место контакта водой и обратитесь за медицинской помощью.

Belangrijke Veiligheidsinstructies

Lees deze gebruiksaanwijzing vóór gebruik aandachtig door en bewaar deze voor toekomstig gebruik.

Bij het gebruik van een elektrisch apparaat moeten altijd de basisvoorzorgen in acht worden genomen, waaronder het volgende:

LEES ALLE INSTRUCTIES VOORDAT U (DIT APPARAAT) GEBRUIKT. Het niet opvolgen van de waarschuwingen en instructies kan leiden tot elektrische schokken, brand en/of ernstig letsel.

WAARSCHUWING – Om het risico op brand, elektrische schokken of letsel te verminderen:

Gebruiksbeperkingen

- Dit product mag niet worden gebruikt door kinderen jonger dan 8 jaar of personen met lichamelijke, zintuiglijke of intellectuele gebreken, of met beperkte ervaring of kennis zonder toezicht van een ouder of voogd om een veilig gebruik te waarborgen en risico's te vermijden. Reiniging en onderhoud mogen niet zonder toezicht door kinderen worden uitgevoerd.
- Plastic folie kan gevaarlijk zijn. Houd het uit de buurt van kinderen om verstikkingsgevaar te voorkomen.
- Er moet op worden toegezien dat kinderen niet met dit apparaat spelen.
- Alleen binnenshuis gebruiken, op vloeren zonder vloerbedekking, zoals vinyl, tegels, verzegeld hout, enz. Zorg ervoor dat u niet over losse voorwerpen of de randen van vloerkleden rijdt. Het afslaan van de borstel kan leiden tot voortijdige bandbreuk.
- Gebruik alleen zoals beschreven in deze gebruikershandleiding. Gebruik alleen de door de fabrikant aanbevolen hulpstukken.
- Stel het apparaat niet bloot aan vuur of extreme temperaturen. Blootstelling aan vuur of excessieve temperatuur kan een explosie veroorzaken.
- Niet gebruiken in extreem warme of koude omgevingen (onder 5°C / 41°F of boven 40°C / 104°F). Laad het apparaat op bij een temperatuur boven 0°C / 32°F en onder 40°C / 104°F.
- Dompel het apparaat niet onder in vloeistof.
- Niet gebruiken voor het opzuigen van ontvlambare of brandbare vloeistoffen, zoals benzine. Niet gebruiken op plaatsen waar ontvlambare of brandbare vloeistoffen aanwezig kunnen zijn.
- Steek geen voorwerpen in de openingen. Gebruik het apparaat niet wanneer een opening is geblokkeerd; houd het vrij van stof, pluizen, haar en alles wat de luchtstroom kan belemmeren.
- Zuig geen giftige stoffen op (chloorbleekmiddel, ammoniak, afvoerreiniger, enz.). Zuig geen harde of scherpe voorwerpen op zoals glas, spijkers, schroeven, munten, enz.
- Gebruik het apparaat niet in een afgesloten ruimte gevuld met damp die wordt afgegeven door verf op oliebasis, verfverdunner, sommige mottenbestrijdingsmiddelen, brandbaar stof of andere explosieve of giftige dampen. Neem niets op dat brandt of rookt, zoals sigaretten, lucifers of hete as.
- Gebruik het niet zonder geplaatste filters.

Belangrijke Veiligheidsinstructies

- Houd haar, losse kleding, vingers en alle lichaamsdelen uit de buurt van openingen en bewegende delen van het apparaat en de accessoires.
- Houd grondkabels uit de buurt van het apparaat tijdens het gebruik, omdat er gevaar kan ontstaan als het apparaat over een voedingskabel loopt.
- Wees extra voorzichtig bij het schoonmaken op trappen.

Onderhoud en opberging

- Voorkom onbedoeld starten. Zorg ervoor dat de schakelaar in de UIT-stand staat voordat u het apparaat oppakt of draagt. Het dragen van het apparaat met uw vinger op de schakelaar of het onder spanning zetten van het apparaat met de schakelaar aan nodig uit tot ongelukken.
- Zorg ervoor dat het apparaat op een horizontaal oppervlak wordt geplaatst. Gebruik het apparaat niet bij dezelfde plaats als het is uitgerust met een borstelroller en de handgreep niet volledig rechtop staat. Bewaar het apparaat niet op een plaats waar het kan bevriezen.
- Schakel het apparaat uit en trek de stekker uit het stopcontact als u het niet gebruikt, voor u het reinigt, onderhoudt of onderhoudt, en voordat u het aansluit of loskoppelt met een bewegende borstel.
- Gebruik geen apparaat dat beschadigd of gewijzigd is. Een beschadigd of gewijzigd apparaat kan onvoorspelbaar gedrag vertonen, hetgeen kan leiden tot brand, explosie of risico op letsel.
- Wijzig het apparaat niet en probeer het apparaat niet te repareren, behalve zoals aangegeven in de instructies voor gebruik en onderhoud.
- Gebruik het apparaat niet met een beschadigd hulpstuk (bijv. oplaadbasis, netsnoer, enz.). Als het hulpstuk beschadigd is, moet het worden vervangen door de fabrikant, diens onderhoudsmonteur of een vergelijkbaar gekwalificeerd persoon om gevaar te voorkomen.
- Laat het onderhoud uitvoeren door een gekwalificeerd reparateur die uitsluitend identieke vervangingsonderdelen gebruikt. Dit zorgt ervoor dat de veiligheid van het product behouden blijft.

Batterij en opladen

- Gebruik voor het opladen van het apparaat uitsluitend de bij dit apparaat geleverde oplaadbasis. Alleen gebruiken met HCBC-oplaadstation.
- Volg alle oplaadinstructies en laad het apparaat niet op buiten het temperatuurbereik dat in de batterij is aangegeven, omdat dit het risico op brand verhoogt.
- Oplaadstation heeft een droogfunctie, deze is enkel geschikt voor het drogen van de borstel van dit apparaat.
- Houd de kabel van het oplaadstation uit de buurt van verwarmde oppervlakken. Raak de stekker van het oplaadstation of het apparaat niet aan met natte handen. Om de stekker uit het stopcontact te halen, pakt u de stekker van de oplaadbasis vast en niet de kabel.
- Trek of draag het laadstation niet aan de kabel, gebruik de kabel niet als handvat, sluit de deur niet op de kabel en trek de kabel niet rond scherpe randen of hoeken.
- Dit product bevat batterijen die alleen vervangen kunnen worden door gekwalificeerde technici of de klantenservice.

Belangrijke Veiligheidsinstructies

- De Lithium-ion batterij bevat stoffen die schadelijk zijn voor het milieu. Alvorens het apparaat weg te doen, verwijder eerst de batterij en vernietig of recycleer volgens de lokale wet- en regelgeving van het land of de regio van gebruik.
- Het apparaat moet losgekoppeld zijn van de stroomtoevoer wanneer de batterij verwijderd wordt. Gewaar de batterij buiten bereik van kinderen. Plaats batterijen nooit in de mond. Bij inslikken, contacteer onmiddellijk uw dokter of lokale antitoxicentrum.
- Bij gebruik onder slechte omstandigheden, raak nooit de batterij aan vanwaar vloeistoffen kunnen vrijkomen. Indien er toch contact is, spoel met water. Indien de vloeistof in de ogen terecht komt, zoek onmiddellijk medische hulp. De vloeistof uit de batterij kan irritatie of brandwonden veroorzaken.
- Gebruik geen niet-oplaadbaar batterijpakket. Zo niet, dan kan hierdoor de lithiumbatterij in brand vliegen.

Symbolen



klasse II-apparaat



tijdsvertraging miniatuur zekering-verbinding

waarbij T 3,15A het symbool is voor de tijd/stroom-karakteristiek



WEEE Informatie

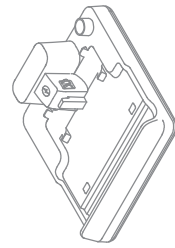
Alle producten met dit symbool zijn afgedankte elektrische en elektronische apparaten (WEEE-richtlijn in 2012/19/EU) die niet mogen worden gemengd met ongesorteerd huishoudelijk afval. In plaats daarvan moet u de menselijke gezondheid en het milieu beschermen door uw afgedankte apparaat in te leveren bij een aangewezen inzamelpunt voor de recycling van afgedankte elektrische en elektronische apparatuur, dat is aangewezen door de overheid of lokale autoriteiten. Een correcte verwijdering en recycling zal helpen mogelijke negatieve gevolgen voor het milieu en de volksgezondheid te voorkomen. Neem contact op met de installateur of de lokale autoriteiten voor meer informatie over de locatie en de voorwaarden van dergelijke inzamelpunten.

Wij, Dreame Trading (Tianjin) Co., Ltd., verklaren hierbij dat deze apparatuur aan de toepasselijke richtlijnen, Europese normen en wijzigingen voldoet. De volledige tekst van de EU verklaring van overeenstemming is beschikbaar op het volgende internetadres: <https://global.dreameotech.com>

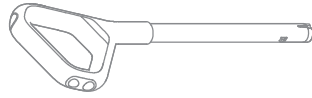
Voor een gedetailleerde e-handleiding, ga naar <https://global.dreameotech.com/pages/user-manuals-and-faqs>

Product Overzicht

Verpakingslijst



Oplaadstation



Handvat



Filterkorf voor vast afval



Reserve borstelrol



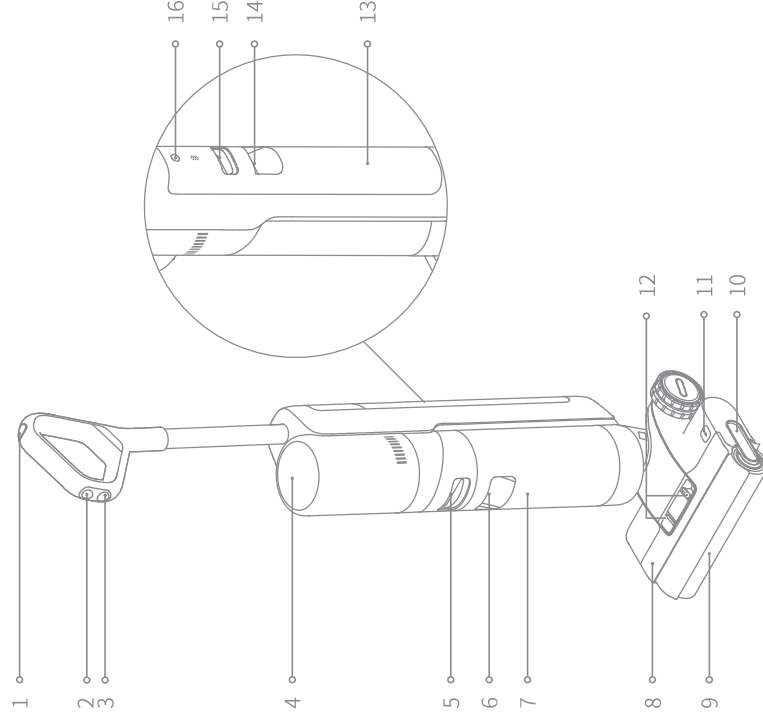
Vervangingsfilter



Reinigingsborstel

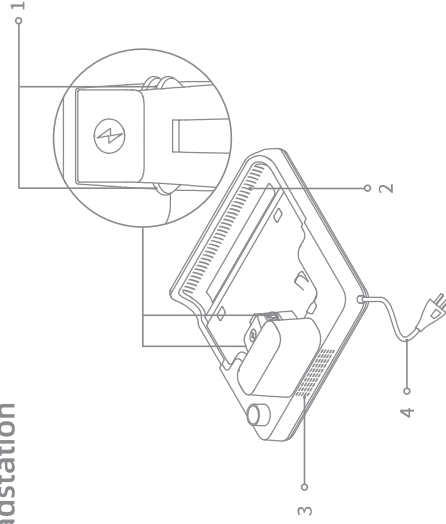
Product Overzicht

Nat en droog vacuüm



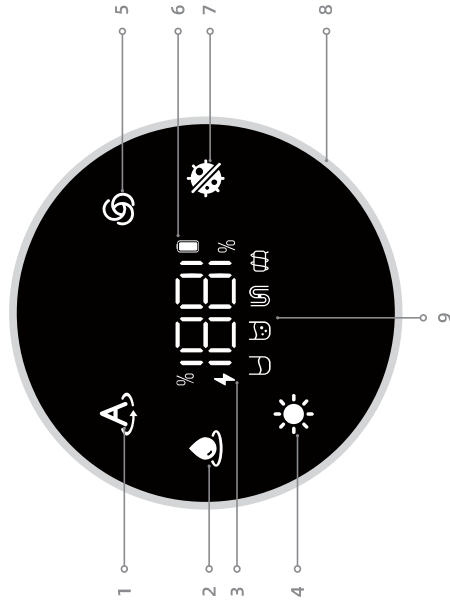
1. Zelfreinigende knop
2. Modusselectelaar
3. Aan/uit-schakelaar
4. Scherm
5. Knop voor Vrijgeven van Gebruikte Water Tank
6. Handvat Gebruikte Water Tank
7. Gebruikte Water Tank
8. Deksel Borstelrol
9. Borstelrol
10. Handvat Borstelrol
11. Knoppen voor Vrijgeven van Borstelrol
12. Knoppen voor Vrijgeven van Deksel Borstelrol
13. Schoonwatertank
14. Handvat Schoonwatertank
15. Knop voor Vrijgeven van Schoonwatertank
16. Knop voor Stremherkenning
 - Druk kort om de stemmelding te activeren of het volume aan te passen.
 - Houd gedurende 3 seconden ingedrukt om de taal in te stellen. Druk op om tussen talen te schakelen. Houd ingedrukt om de keuze te bevestigen.

Oplaadstation



1. Oplaadcontacten
2. Luchtdrogende uitlaat
3. Luchtdrogende Ingang
4. Netsnoer

Scherm

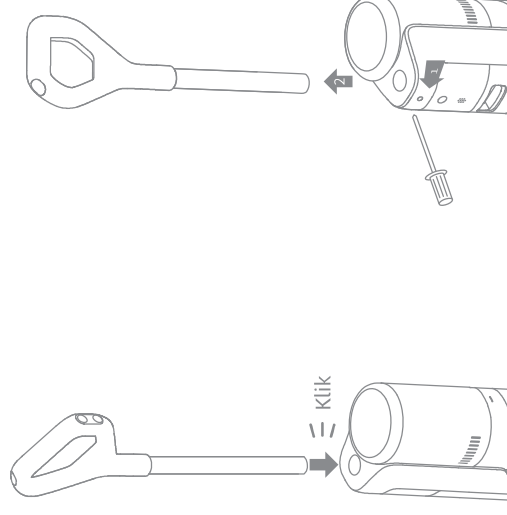


1. Automatische modus
2. Zuigmodus
3. Laadindicator
 - Knipperend oranje: Batterijniveau \leq 20%
 - Groen knipperend: Batterijniveau $>$ 20%
4. Droogstand
5. Turbo modus
6. Batterij bijna leeg
 - Continu oranje: Batterijniveau \leq 20%
 - Continu groen: Batterijniveau $>$ 20%
7. Ultra-Modus
8. Stofconcentratie-indicator
De kleur van de curve verandert in realtime met de hoeveelheid stof.
9. Foutmeldingen
 - Onvoldoende water in de schoonwatertank
 - Afvalwatertank vol
 - Geblokkeerde Buis
 - Borstelrol zit vast

Opmerking: Indien het apparaat niet correct functioneert, zal het display scherm een foutmelding weergeven. Raadpleeg de Foutmeldingen en oplossingen sectie om een oplossing te vinden.

Montage en demontage van het Handvat

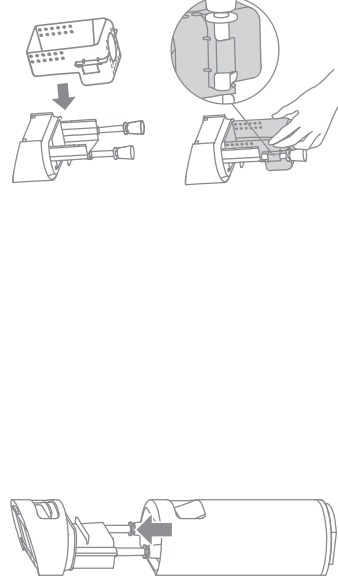
Steek het uiteinde van de handgreep verticaal in de opening aan de bovenkant van het toestel zoals aangegeven totdat u een klik hoort.



Opmerking: Om het apparaat te demonteren, drukt u met het juiste gereedschap op de contacten in de opening aan de achterkant van het apparaat en trekt u tegelijkertijd de handgreep omhoog.

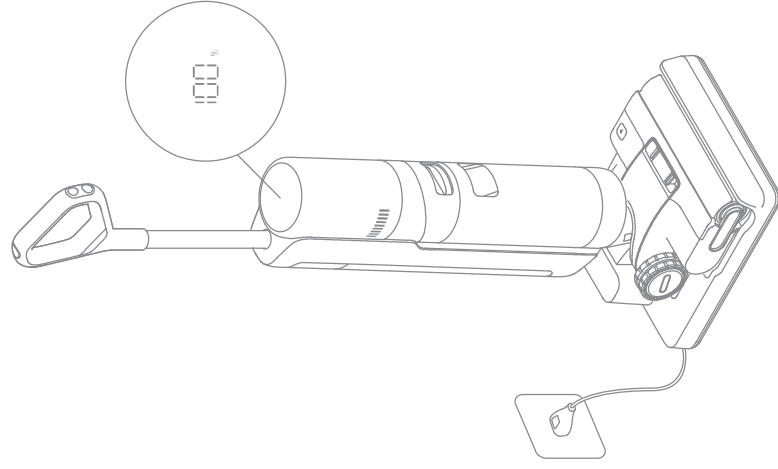
De filterkorf voor vast afval installeren

Verwijder de vuilwatertank en trek het deksel van de tank omhoog om de filterkorf voor vast afval te installeren.



Opmerking: Als de filterkorf voor vast afval niet is geïnstalleerd, kunnen andere functies normaal werken, behalve dat het vaste afval niet kan worden gescheiden.

1. Plaats de oplaadbasis tegen een muur op een vlakke ondergrond en sluit hem aan op een stroombron. Laad het apparaat volledig op voor het eerste gebruik.
2. Plaats het apparaat op de oplaadbasis. Wanneer de gesproken prompt "Start opladen" wordt weergegeven, activeert het apparaat de oplaadmodus. Tijdens het opladen geeft het getal op het display het huidige batterijniveau in procenten weer. Wanneer het aantal 100 bereikt, is de batterij volledig opgeladen.



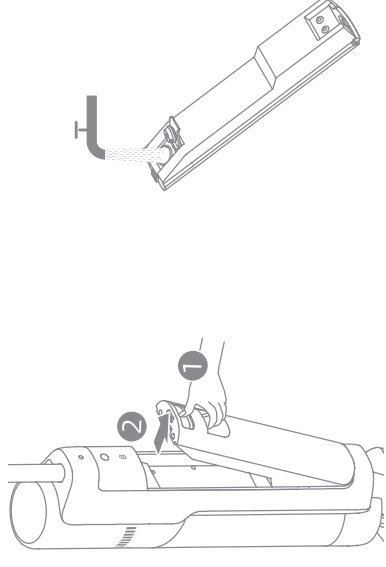
Opmerking:

- Als er geen bediening plaatsvindt binnen 10 minuten nadat het apparaat volledig is opgeladen, zal de stofzuiger in de slaapstand gaan. Start het apparaat opnieuw op als u het wilt gebruiken.
- Om de levensduur van de batterij te verlengen, koelt de batterij automatisch gedurende ongeveer een uur af nadat u het apparaat gedurende lange tijd hebt gebruikt.

Hoe te gebruiken

Vullen van de schoonwatertank

Druk op de ontgrendelknop van de Schoonwatertank en trek de tank naar buiten om hem te verwijderen. Verwijder het deksel van de schoonwatertank en vul de tank met schoon water. Installeer de schoonwatertank en zorg ervoor dat deze op zijn plaats klikt.

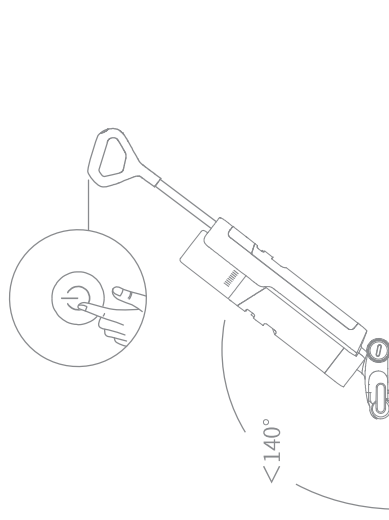


Opmerking:

- Voor een betere reinigingsprestatie wordt aanbevolen 10 ml afwasmiddel met de dop van de fles in de volle tank met schoon water te doen en vervolgens zachtjes en gelijkmatig te schudden voor gebruik.
- Voeg geen andere vloeistoffen toe dan de officieel goedgekeurde reiniger. De reiniger is beschikbaar in de officiële online winkel.

Begin met het reinigen

Stap voorzichtig op de borstelkap en kantel het apparaat naar achteren. Druk op de Aan/ Uitschakelaar  om het apparaat in gebruik te nemen.



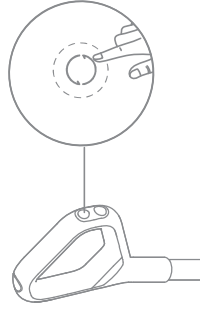
Opmerking:

- Zuig geen schuimende vloeistoffen op.
- Het apparaat moet tijdens het gebruik rechtop staan.
- Het apparaat is geschikt voor het reinigen van vloeren, marmer, tegels en andere harde oppervlakken.
- Druk de borstel tegen de vloer tijdens het gebruik. Kantel het apparaat niet meer dan 140° naar achteren om te voorkomen dat het apparaat water lekt.
- Til het toestel tijdens gebruik niet van de vloer op, kantel het niet en leg het niet plat neer. Als u dit wel doet, kan het vuile water in de motor stromen.



Hoe te gebruiken

Wijzigen van modus

Het toestel wordt standaard ingeschakeld in de automatische modus. U kunt indien nodig overschakelen naar de ultramodus - de zuigmodus - de turbomodus.



Zelfreiniging met heet water

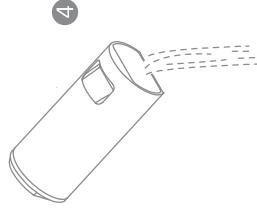
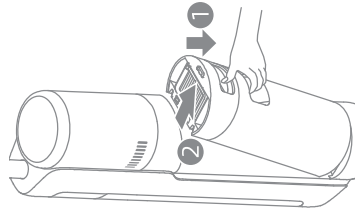
1. Plaats het apparaat terug op de basis terwijl u klaar bent met reinigen. Zorg ervoor dat het water in de schoonwatertank voldoende is voor de zelfreiniging.
2. Druk kort op de zelfreinigingsknop  bovenop de handgreep om zelfreiniging met heet water te starten. Schakel tussen zelfreinigingsmodi volgens de gespreken aanwijzingen.
3. Ledig de gebruikte watertank na voltooiën van zelfreiniging. Het apparaat start vervolgens de droogmodus. Druk op de  knop om de droogmodus te beëindigen.

Opmerking:

- De zelfreinigingsfunctie kan alleen worden ingeschakeld als het apparaat wordt opgeladen en het batterijniveau meer dan 15% is.
- Raak de borstrol, het hete water en de verwarmingsmodule op het oplaadstation niet aan tijdens het zelfreinigingsproces.

Reinigen van de Afvalwatertank

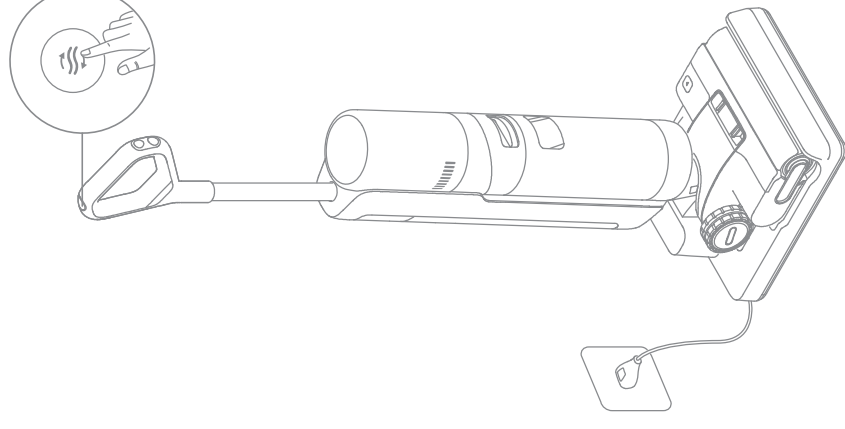
Druk op de ontgrendelknop van de vuilwatertank om de tank eruit te halen. Trek het deksel van de tank omhoog en giet het vuile water eruit. Plaats vóór gebruik het deksel van de tank en de tank terug.



Hoe te gebruiken

Droogstand

1. Houd de zelfreinigende knop  3 seconden ingedrukt om de droogmodus te activeren.
2. Het apparaat wordt opgeladen zodra het drogen is voltooid.



Opmerking:

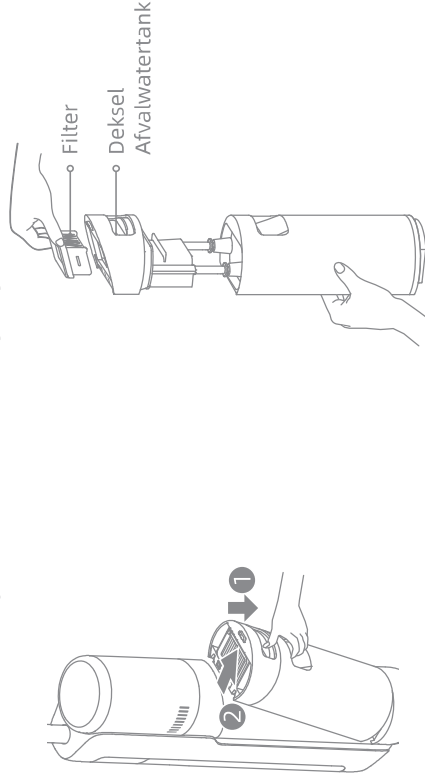
- Nadat de zelfreiniging is voltooid, reinigt u onmiddellijk de gebruikte watertank. Reinig de oplaadbasis als er vlekken op de basis zijn achtergebleven.
- Als u de borstrol met de hand reinigt, droog hem dan grondig aan de lucht of droog hem door de droogmodus meerdere keren te gebruiken.

Tips:

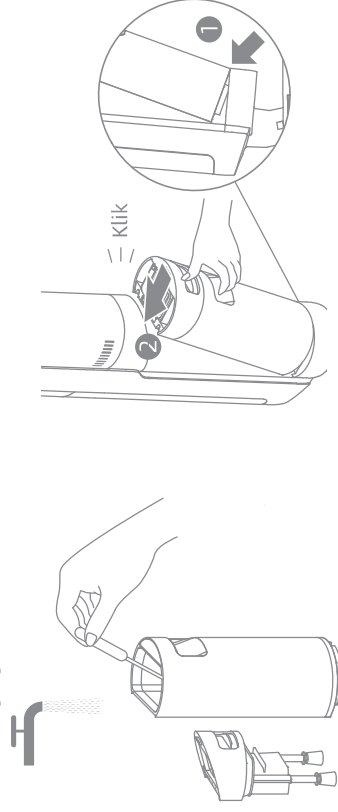
- Schakel het apparaat uit voor onderhoud. Raak de aan/uit-schakelaar niet aan.
- Vervang onderdelen indien nodig. De onderdelen moeten worden vervangen door de onderdelen die verkrijgbaar zijn bij de fabrikant of zijn serviceverteenwoordiger.
- Als de stofzuiger gedurende langere tijd niet wordt gebruikt, laad hem dan volledig op, haal de stekker uit het stopcontact en bewaar de stofzuiger in een koele, vochtige omgeving, uit de buurt van direct zonlicht. Om overontlading van de batterij te voorkomen, laadt u de stofzuiger ten minste eenmaal per 3 maanden op.

Reinigen van de Afvalwatertank en de Filter

1. Druk op de ontgrendelknop van de Afvalwatertank en trek de afvalwatertank naar buiten om hem te verwijderen.
2. Neem het filter uit het deksel van de vuilwatertank. Trek het deksel van de tank omhoog en giet het vuile water eruit.



3. Spoel de vuilwatertank en het deksel van de tank af met water en maak de binnenwand van de tank schoon met de meegeleverde reinigingsborstel.
4. Plaats het filter en het deksel van de Afvalwatertank terug. Plaats vervolgens de Afvalwatertank terug totdat u een klik hoort.

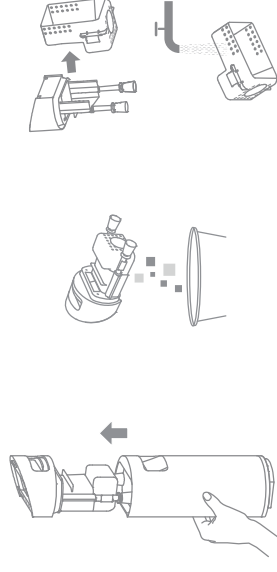


Opmerking:

- Als het filter vuil is, spoel het dan af met schoon water en droog het volledig af voor gebruik.
- Aanbevolen wordt het filter om de 3 tot 6 maanden te vervangen.

De filterkorf voor vast afval schoonmaken

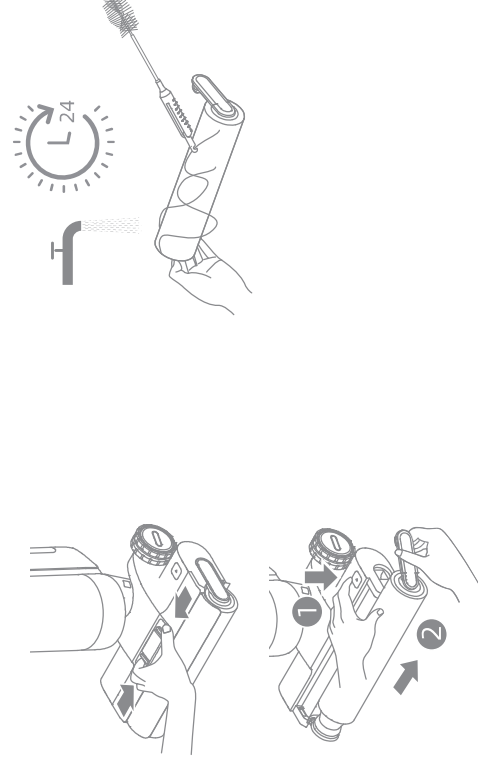
Verwijder de vuilwatertank en trek het deksel van de tank omhoog. Scheid de filterkorf voor vast afval van het deksel van de tank en maak deze schoon.



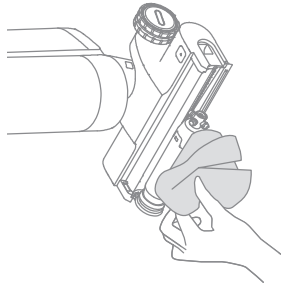
Opmerking: Als u de filterkorf voor vast afval niet hoeft te gebruiken, kunt u deze verwijderen.

Reinigen van de borstelconstructie

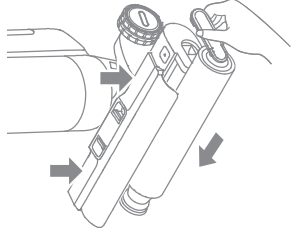
1. Druk eerst de ontgrendelingsknoppen van het borsteldekseel aan beide zijden naar binnen om het borsteldekseel te verwijderen. Druk op de ontgrendelknop van de borstelrol en de hendel van de borstelrol springt eruit. Trek eraan om de borstelrol eruit te halen.
2. Verwijder de haren en het vuil dat op de borstelrol vastzit met de bijgeleverde reinigingsborstel. Spoel de borstelrol met schoon water. Droog de borstelrol grondig aan de lucht of droog hem door de droogmodus meerdere keren te activeren.



3. Veeg de aanzuigopening schoon met een droge doek of een natte tissue. Spoel de borstelconstructie niet af met water.



4. Plaats de borstelrol en het deksel van de borstelroller terug totdat u een klik hoort.

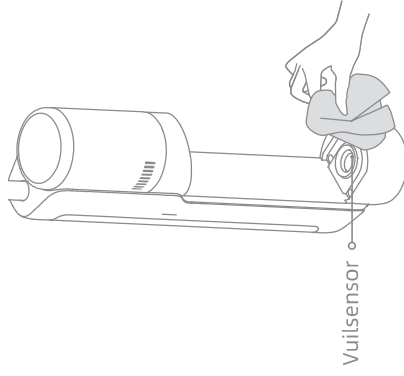


Opmerking:

- Reinig naar behoefte. Het afwisselend gebruik van de twee meegeleverde borstelrollen wordt aanbevolen.
- Het wordt aanbevolen om de borstelrol elke 3 tot 6 maanden te vervangen.

Reinigen van de buis en de vuilsensor

Verwijder de Afvalwatertank en veeg de slang en de vuilsensor voor gebruik af met een natte doek.



Vuilsensor

Let op: Spoel de buis of de vuilsensor niet af.

Problemen oplossen

Als er een fout optreedt, zal het apparaat stoppen met werken. Raadpleeg de volgende tabel voor het oplossen van problemen. Als het probleem blijft bestaan, neem dan contact op met de klantenservice.

Fout	Mogelijke oorzaak	Oplossing
Het apparaat werkt niet	De batterij van het apparaat is leeg of het batterijniveau is laag	Laad de batterij volledig op voor gebruik
	Het apparaat staat rechtop	Zet het apparaat achterover
	Blokkering geactiveerde oververhittingsbeveiligingsmodus	Verwijder de blokkade en wacht tot de temperatuur weer normaal is
Het apparaat laadt langzaam op	De Afvalwatertank is vol	Leeg de Afvalwatertank
	De onderdelen zijn niet op hun plaats geïnstalleerd	Zorg ervoor dat alle onderdelen goed op hun plaats zitten
De zuigkracht van het apparaat is zwak	De temperatuur van de batterij is te laag of te hoog	Wacht tot de temperatuur van de batterij weer normaal is
	Het filter is verstopt	Het filter reinigen
De motor maakt een vreemd geluid	De aanzuigopening of -buis is geblokkeerd door een vreemd voorwerp	Reinig de buis en de aanzuigopening
	Er zit te veel vuil water in de Afvalwatertank	Leeg de Afvalwatertank
De vuil concentratie indicator is onderbroken rood	De aanzuigopening is geblokkeerd	Verwijder eventuele verstoppingen in de aanzuigopening
	De vuilsensor moet gereinigd worden	De vuil-sensor zit in de buis. Volg de instructies voor het reinigen van de buis
	De concentratie reinigingsvloeistof is te hoog	Verdun de reinigingsoplossing met water in de aanbevolen verhouding
Het scherm licht niet op tijdens het opladen	Een reinigingsoplossing van derden heeft een grote hoeveelheid schuim veroorzaakt	Gebruik alleen het officieel goedgekeurde reinigingsmiddel
	De laadstation stop is niet correct verbonden met het elektrisch stopcontact	Zorg ervoor dat de stop van het laadstation op zijn plaats zit

Er komt geen water uit het apparaat	De schoonwatertank is niet goed op zijn plaats geïnstalleerd, of er is onvoldoende water in de schoonwatertank	Installeer of vul de schoonwatertank opnieuw
	Het duurt 30 seconden om de borstelrol te bevochtigen	Zet het apparaat aan en controleer het over 30 seconden opnieuw
De ontluchting lekt water	Een botsing of een krachtige ruk veroorzaakt dat er water in de motor komt; Til het apparaat van de vloer, kantel het of leg het plat neer	Beweeg het toestel zachtjes heen en weer en druk de borstel tegen de vloer tijdens het gebruik
	Het filter is niet helemaal droog na het reinigen	Droog het filter volledig voor gebruik
De zelfreiniging mislukt	De borstelrol kan vastgelopen zijn door grote vuildeeltjes	Open het deksel van de borstelrol om de borstelroller te controleren en te reinigen
	Het apparaat is niet goed op het oplaadstation geplaatst	Zorg ervoor dat het apparaat is opgeladen voordat u de zelfreinigingsfunctie inschakelt
	De zelfreiniging kan niet worden ingeschakeld als het batterijniveau lager dan 15% is	De zelfreiniging kan alleen worden ingeschakeld als het apparaat is opgeladen en het batterijniveau meer dan 15% is
Slechte droogprestaties of vreemd geluid tijdens het drogen	De Afvalwatertank is niet op zijn plaats geïnstalleerd, of de Afvalwatertank is vol	Installeer opnieuw of leeg de Afvalwatertank
	De Schoonwatertank is niet op zijn plaats geïnstalleerd, of er zit onvoldoende water in de Schoonwatertank	Installeer opnieuw of vul de Schoonwatertank
Slechte droogprestaties of vreemd geluid tijdens het drogen	De luchtuitlaat en luchtinlaat van het oplaadstation kunnen mogelijk geblokkeerd zijn	Controleer en verwijder de verstopping van de luchtuitlaat en luchtinlaat

Voor extra diensten, neem contact met ons op via aftersales@dreamtech.com
<https://global.dreamtech.com>

Als het apparaat niet goed werkt, verschijnt er een foutmelding op het scherm. Raadpleeg de tabel voor het oplossen van problemen.

Fout Pictogram	Mogelijke oorzaak	Oplossing
	Onvoldoende water in Schoonwatertank	Vul de schoonwatertank
	De Gebruikte Watertank is vol	Leeg de Afvalwatertank
	Borstelrol zit vast	Reinig de borstelrol met de bijgeleverde reinigingsborstel
	Geblokkeerde buis	Controleer of het filter verstopt is. Maak ook de slang en de vuilsensor schoon
	De borstelrol en de buis zijn vuil	Plaats het toestel terug op het basisstation voor zelfreiniging

Foutmeldingscode	Mogelijke Oorzaak	Oplossing
E1-E7	Fout	Start het apparaat opnieuw op om het probleem op te lossen. Als het probleem aanhoudt, neem dan contact op met de klantenservice
H1-H6	Oververhitting van de Batterij	Wacht tot de temperatuur van de batterij weer normaal is
H7		