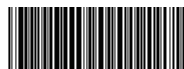




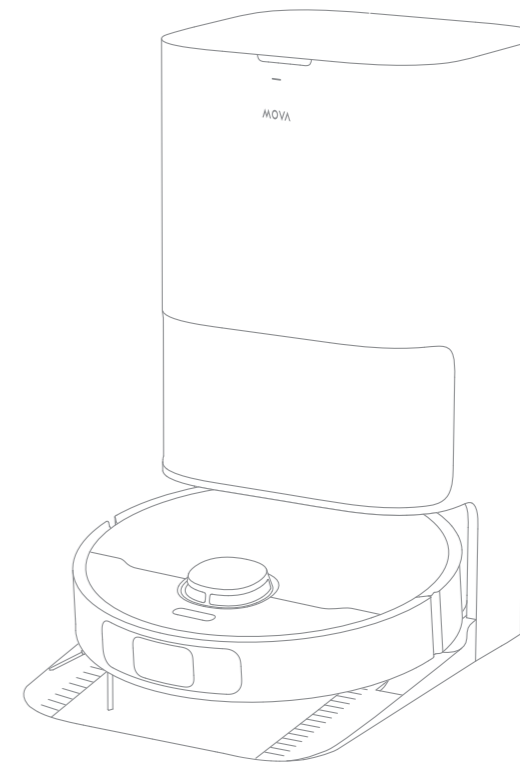
For more support, contact us via <https://mova-tech.com>  
Manufactured by: Dreame Trading (Tianjin) Co., Ltd.  
Made in China



EU-A00

# MOVA E30 Ultra

Robot Vacuum and Mop with  
Auto-Empty and Mop Self-Cleaning  
[User Manual](#)



The illustrations in this manual are for reference only. Please refer to the actual product.

MOVA

## Contents

EN	User Manual	01
DE	Benutzerhandbuch	29
FR	Manuel d'utilisation	58
IT	Manuale utente	86
ES	Manual de usuario	114
PL	Instrukcja obsługi	142
NL	Gebruikershandleiding	171
NO	Brukerhåndbok	199
SV	Användarmanual	227
HE	מדריך למשתמש	255
AR	دليل الاستخدام	282

## Safety Information

To avoid electric shock, fire or injury caused by improper use of the appliance, please read the user manual carefully before using the appliance and keep it for future reference.

### Usage Restrictions

- This product should not be used by children younger than 8 years old nor persons with physical, sensory, intellectual deficiencies, or limited experience or knowledge without the supervision of a parent or guardian to ensure safe operation and to avoid any risks. Cleaning and maintenance shall not be performed by children without supervision.
- The appliance is only to be used with the power supply unit provided with the appliance.
- This appliance contains batteries that are only replaceable by skilled persons.
- Clear the area to be cleaned. Children shall not play with the appliance. Ensure children and pets are kept at a safe distance from the robot while it is operating.
- Do not install, charge or use the appliance in the bathrooms or around the pools.
- This product is for floor cleaning in a home environment only. Do not use it outdoors, on non-floor surfaces, or in a commercial or industrial setting.
- Ensure that the appliance operates correctly in a proper environment. Otherwise, do not use the appliance.
- If the power cord is damaged, it must be replaced by a special cord or assembly available from the manufacturer or its service agent.



## Safety Information

### Usage Restrictions

- Do not use the robot in an area suspended above ground level without a protective barrier.
- Do not place the robot upside down. Do not use the LDS cover, robot cover, or bumper as a handle for the robot.
- Use the robot in environments with an ambient temperature above 0°C and below 40°C. Make sure there is no liquid or sticky substance on the floor.
- To prevent damage or harm from dragging, clear any loose objects from the floor, and remove cables or power cords on the cleaning path before operating the appliance.
- Remove fragile or small items from the floor to prevent the robot from bumping into and damaging them.
- Keep hair, fingers, and other body parts away from the suction opening of the robot.
- Keep the cleaning tool out of reach of children.
- Do not operate the appliance in a room where an infant or child is sleeping.
- Do not place children, pets, or any item on top of the robot regardless of whether it is stationary or moving.
- Only clean water and the officially-approved cleaning solution can be added to the clean water tank. Do not add any other liquid such as alcohol or disinfectant. The ratio of the cleaning solution to clean water can be checked on the cleaning solution bottle. Keep the cleaning solution out of reach of children.

## Safety Information

### Usage Restrictions

- Do not use the robot to clean any burning objects. Do not use the robot to pick up flammable or combustible liquids, corrosive gases, or undiluted acids or solvents.
- Do not vacuum hard or sharp objects. Do not use the appliance to pick up objects such as stones, large pieces of paper or any item that may clog the appliance.
- Plug must be removed from the socket-outlet before cleaning or maintaining the appliance.
- Do not wipe the robot or the base station with a wet cloth or rinse them with any liquid. After cleaning washable parts, fully dry the parts before reinstalling and using them.
- Please use this product in accordance with the instructions in the User Manual. Users are responsible for any loss or damage that arise from improper use of this product.

### Batteries and Charging

- Do not use any third-party battery or base station. The robot can only be used with the model RCEE0301 base station.
- Do not attempt to disassemble, repair, or modify the battery or the base station on your own.
- Do not place the base station near a heat source.
- Do not use a wet cloth or wet hands to wipe or clean the base station's charging contacts.

## Safety Information

### Batteries and Charging

- Do not improperly dispose of old batteries. Unneeded batteries should be discarded at an appropriate recycling facility.
- If the power cord becomes damaged or broken, stop using it immediately and contact after-sales service.
- Make sure the robot is turned off when being transported and kept in its original packaging if possible.
- If the robot will not be used for an extended period of time, fully charge it, then turn it off and store it in a cool, dry place. Recharge the robot at least once every 3 months to avoid over-discharging the battery.

### Laser Safety Information

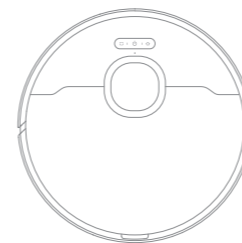
- The laser sensor in this product meets the IEC 60825-1:2014/EN 60825-1:2014/A11:2021 Standard for Class 1 laser products. Please avoid direct eye contact with it during use.

CLASS 1 LASER PRODUCT  
CONSUMER LASER PRODUCT  
EN 50689:2021

Hereby, Dreame Trading (Tianjin) Co., Ltd. declares that the radio equipment type RLE51SE is in compliance with Directive 2014/53/EU. The full text of the EU declaration of conformity is available at the following internet address: <https://mova-tech.com>  
For detailed e-manual, please go to <https://www.mova-tech.com/pages/user-manuals-and-faqs>

## Product Overview

### Package Contents



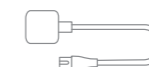
Robot



Base Station



Side Brush



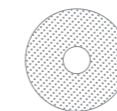
Power Cord



User Manual



Base Station Ramp  
Extension Plate



Mop Pad × 2  
(pre-installed)



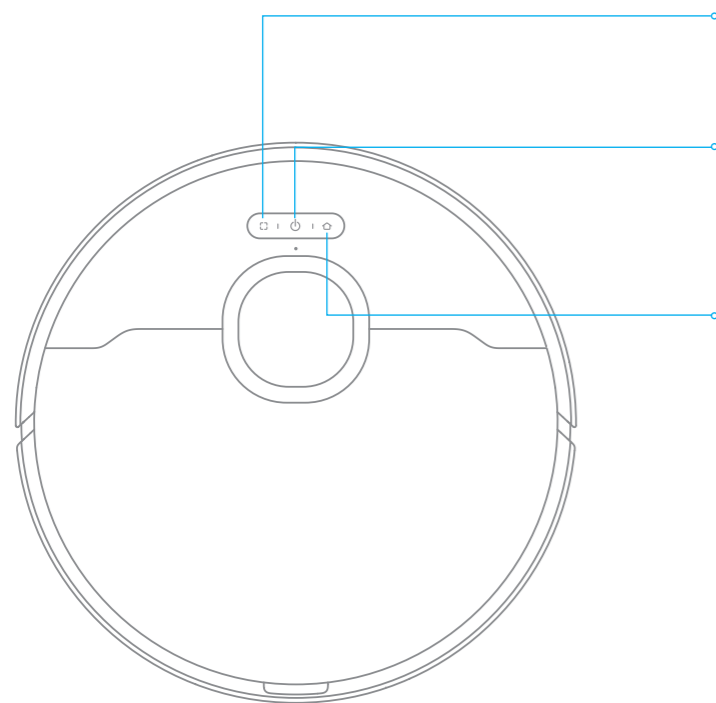
Mop Pad  
Holder × 2



Dust Bag  
(pre-installed)

### Other Accessories

## Robot



**Spot Cleaning Button**  
 · Press to start spot cleaning

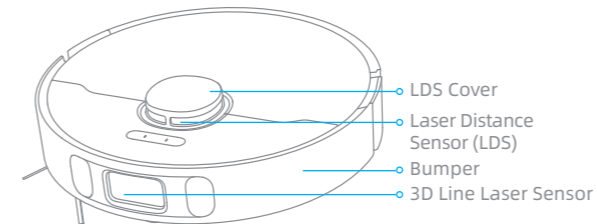
**Power / Clean Button**  
 · Press and hold for 3 seconds to turn on or off  
 · Press to start cleaning after the robot is turned on

**Dock Button**  
 · Press to send the robot back to the base station  
 · Press and hold for 3 seconds to disable Child Lock

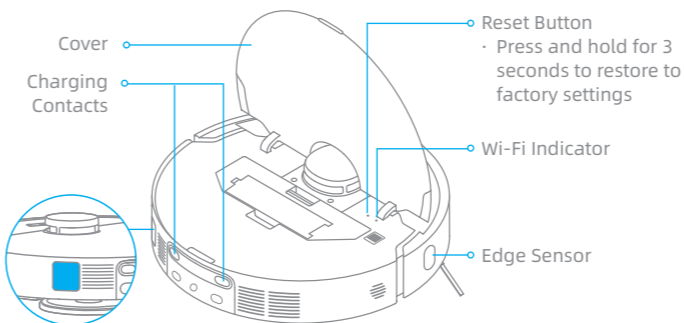
**Status Indicator**  
 · Solid White: Cleaning or cleanup completed  
 · Breathing White: Charging (not low battery)  
 · Solid Orange: Standby at low battery or paused at low battery  
 · Breathing Orange: Charging (low battery)  
 · Blinking Orange: Error

**Note:**  
 · Press any button on the robot to pause while the robot is cleaning or returning to charge.  
 · Child Lock can be enabled/disabled through the app.

## Robot and Sensors



LDS Cover  
 Laser Distance Sensor (LDS)  
 Bumper  
 3D Line Laser Sensor

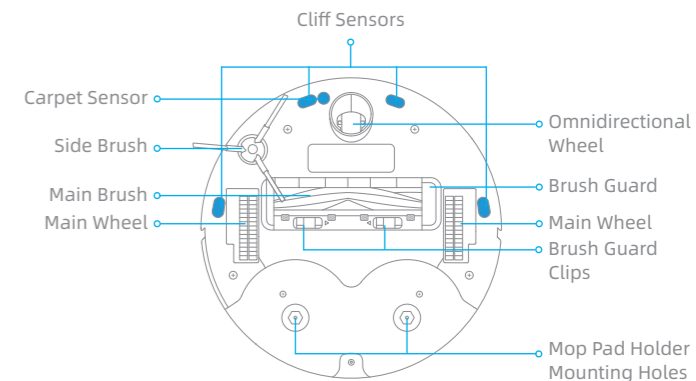


Auto-empty Vent

Reset Button  
 · Press and hold for 3 seconds to restore to factory settings

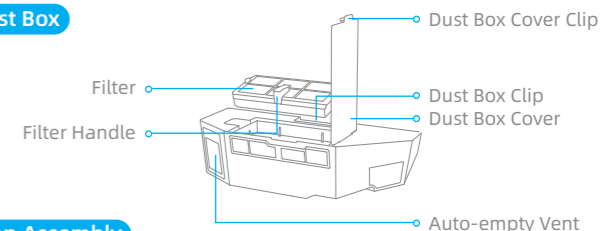
Wi-Fi Indicator

Edge Sensor

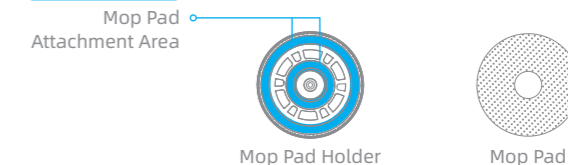


Cliff Sensors  
 Carpet Sensor  
 Side Brush  
 Main Brush  
 Main Wheel  
 Omnidirectional Wheel  
 Brush Guard  
 Main Wheel  
 Brush Guard Clips  
 Mop Pad Holder Mounting Holes

## Dust Box



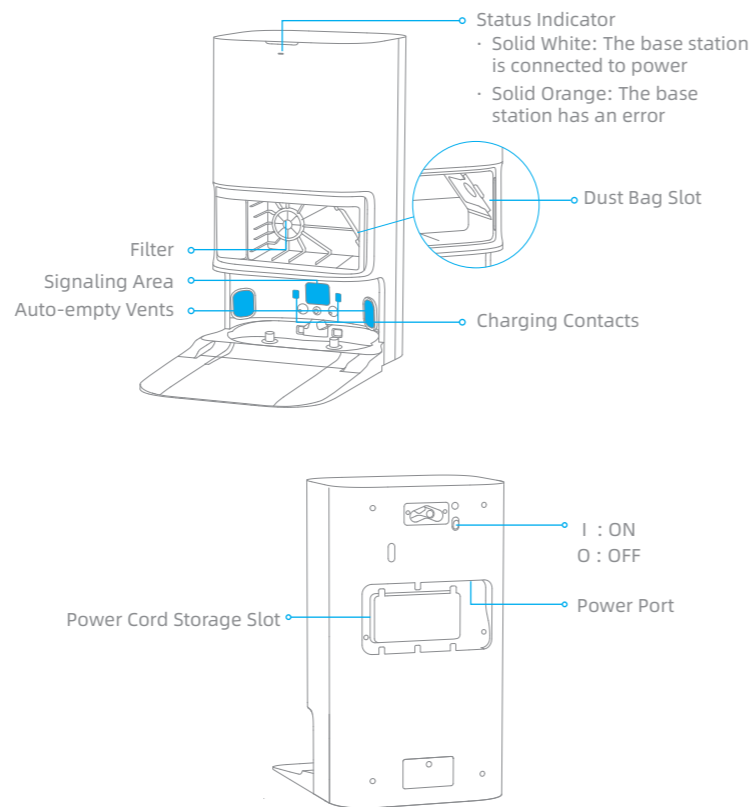
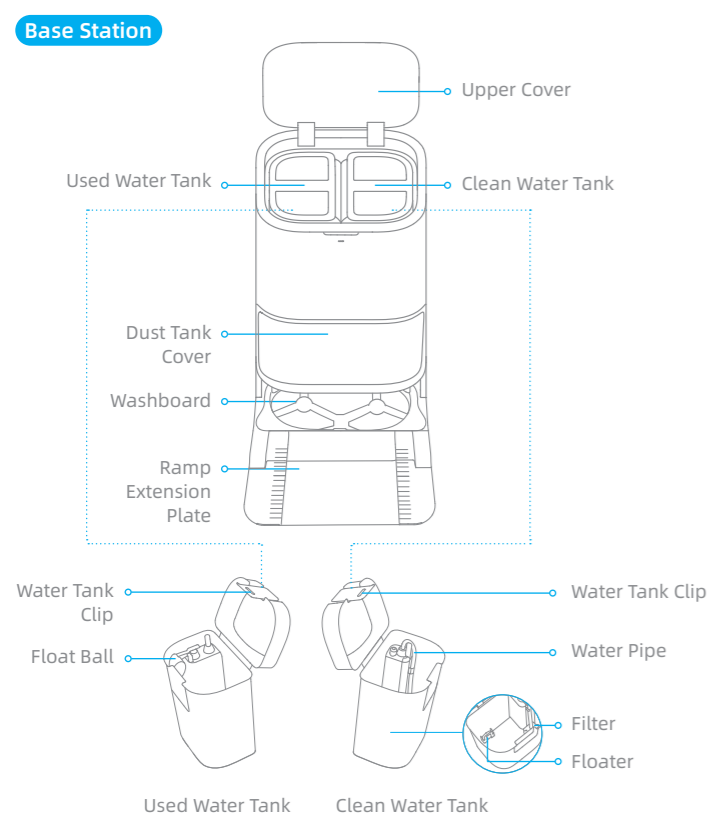
## Mop Assembly



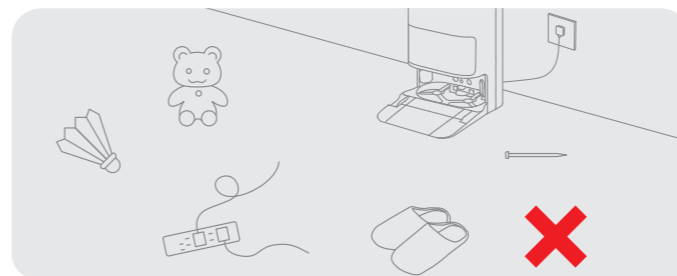
Mop Pad Holder

Mop Pad

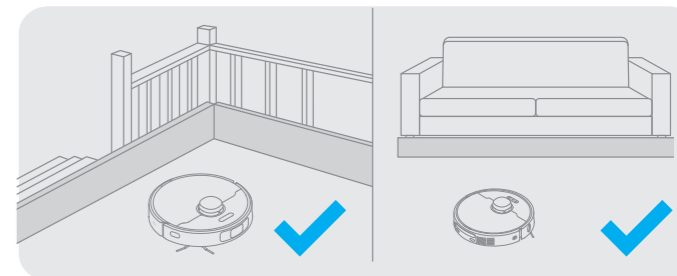
## Base Station



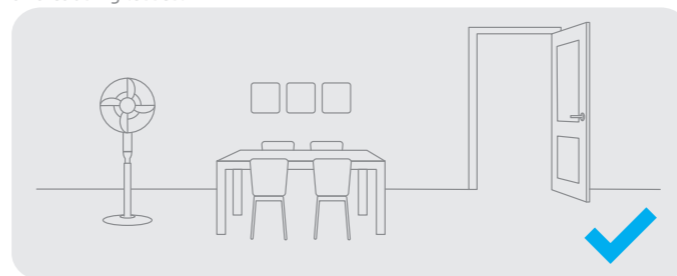
## Preparing Your Home



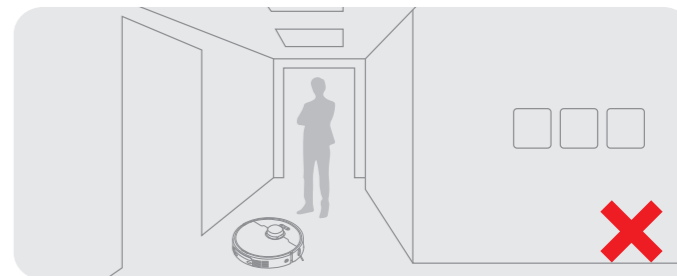
Before cleaning, please move away unstable, fragile, valuable or dangerous items, and clean up cables, cloths, toys, hard objects and sharp objects on the ground to avoid being entangled, scratched or knocked over by the robot and causing losses.



Before cleaning, place a physical barrier at the edge of the stairs and sofa to ensure the secure and smooth operations of the robot.



Open the door of the room to be cleaned, and put the furniture in its proper place to leave more space.



To prevent the robot from not recognizing areas that need to be cleaned, do not stand in front of the robot, threshold, hallway, or narrow places.

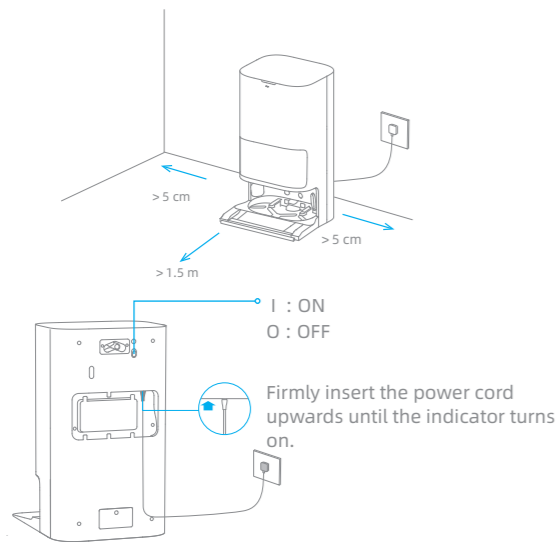
**Note:**

- When operating the robot for the first time, follow it around while cleaning to remove any potential obstacles in time.
- Do not vacuum hard objects like stones, steel balls and toy parts, or sharp objects like construction waste, broken glass and nails, otherwise the ground may be scratched.

## Before Use

### 1. Place the Base Station and Connect to an Electrical Outlet

Place the base station in a location that is as open as possible with a good Wi-Fi signal. Remove any objects that are closer than 1.5 m from the front and 5 cm from either side of the base station. Insert the power cord into the base station and plug it into the socket.



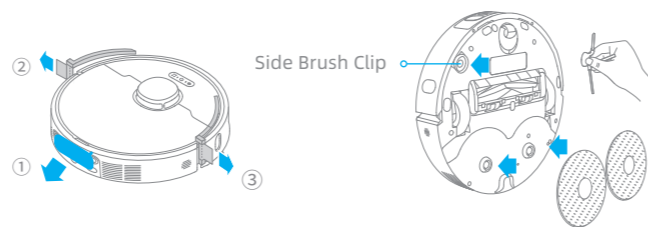
#### Note:

- Make sure that no objects might block the signaling area.
- To prevent water stains from wetting wood floors or carpets, placing the base station on tile floors or marble floors is recommended.

### 2. Install the Ramp Extension Plate




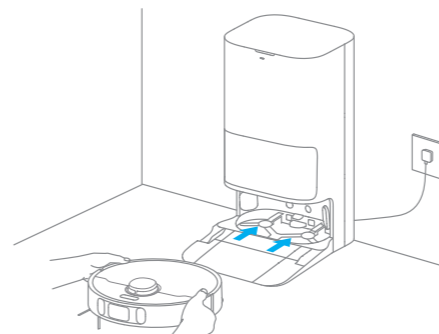
### 3. Remove Robot Protections, and Install the Side Brush and Mop Assembly



## Before Use

### 4. Connect the Robot to the Base Station

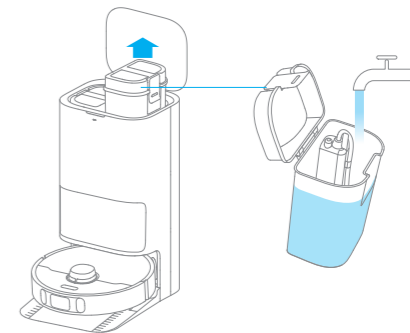
Press and hold the button  on the robot for 3 seconds to turn it on. Place the robot onto the base station with the mop assembly facing toward the washboard. Then you will hear a voice notification when the robot successfully connects to the base station.



**Note:** It is recommended to fully charge the robot before its first use. When the robot cannot be turned on after the battery is depleted, manually connect the robot with the station to charge it.

### 5. Add Water to the Clean Water Tank

Take out the clean water tank from the base station and fill up the tank with clean water. Then install it back into the base station.

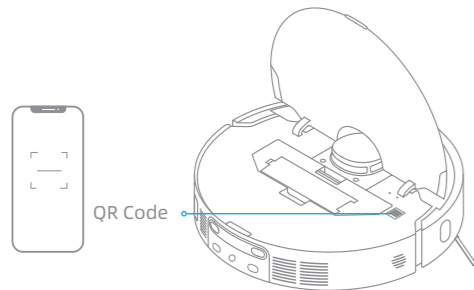


**Note:** Do not add hot water into the water tank, as this may cause the tank to become deformed.

## Connecting with the App

### 1. Download the App

Scan the QR code on the robot to download and install the app.



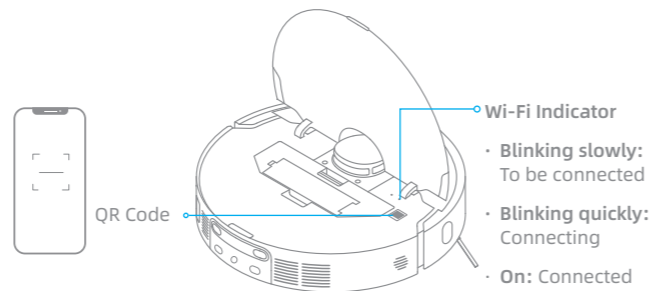
#### Note:

- Only 2.4 GHz Wi-Fi is supported.
- Due to upgrades in the app software, the actual operations may differ from the directions in this manual. Please follow the instructions based on the current app version.

### 2. Add Device



Open the app, tap "Scan QR code to connect", and scan the same QR code on the robot again to add the device. Please follow the prompts to finish the Wi-Fi connection.

**Note:** If you want to reset Wi-Fi, repeat step 2 and then follow the prompts to finish the Wi-Fi connection.



## How to Use

### Turn On/Off

Press and hold the button  for 3 seconds to turn on the robot. The power indicator should be illuminated. Place the robot onto the base station, the robot should turn on automatically and begin charging. To turn off the robot, move the robot away from the base station and press and hold the button  for 3 seconds.

### Fast Mapping

After configuring the network for the first time, follow the instructions in the app to quickly create a map. The robot will start mapping without cleaning. When the robot returns to the base station, the mapping process has been completed and the map will be saved automatically.

### Pause/Sleep

When the robot is running, press any button to pause it. If the robot is paused for more than 10 minutes, it automatically enters sleep mode. All indicators on the robot will turn off. Press any button on the robot, or use the app to wake up the robot.

**Note:** If the robot is paused and placed onto the base station, the current cleaning process will end.

### Auto Resume Cleaning

If the battery is too low, the robot will automatically return to the base station to charge. After charging to the appropriate battery level, it will resume unfinished cleaning tasks.

**Note:** To use this function, please enable it in the app.


### Do Not Disturb (DND) Mode

When the robot is set to the Do Not Disturb (DND) mode, the robot will be prevented from resuming cleaning and the power indicator goes out. The DND mode is disabled by default at the factory. You can use the app to enable the DND mode or modify the DND period. The DND period is 22:00-8:00 by default.



#### Note:

- The scheduled cleaning tasks will be performed as usual during the DND period.
- The robot will resume cleanup where it left off after the DND period expires.

### Spot Cleaning

When the robot is on standby, press briefly the button  to enable the spot cleaning mode. In this mode, the robot cleans a square-shaped area of 1.5 x 1.5 meters around it and returns to its starting point once the spot cleaning is completed.

### Robot Restarting


If the robot stops responding or cannot be turned off, press and hold the button  for 10 seconds to forcefully turn it off. Then, press and hold the button  for 3 seconds to turn the robot on.

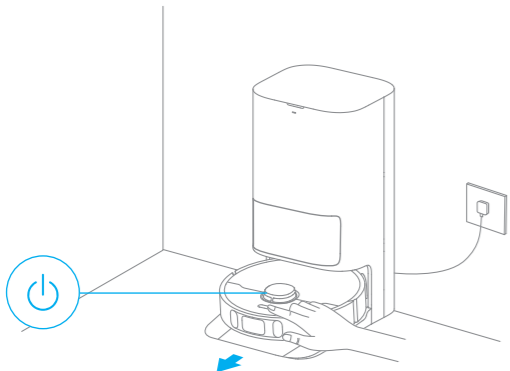
## How to Use

### Vacuum and Mop

**Note:** When using the mop assembly for the first time, the robot performs the "Vacuum and Mop" task by default.

#### 1. Start cleaning

Press the button  on the robot, or use the app to make the robot start from the base station. Then the robot will plan the optimal cleaning route and perform the cleaning task based on the created map.

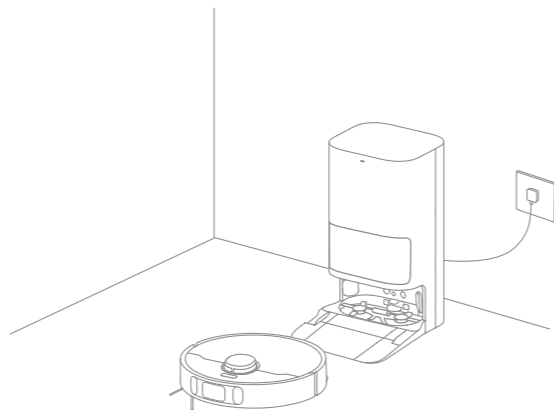


#### Note:

- To ensure the robot easily returns to the base station after cleaning, it is recommended to make the robot start from the base station.
- The mop pads will be cleaned before the robot starts mopping, please wait patiently.
- Do not move the base station, the clean water tank, the used water tank, or the washboard during operation.

#### 2. Auto mop washing

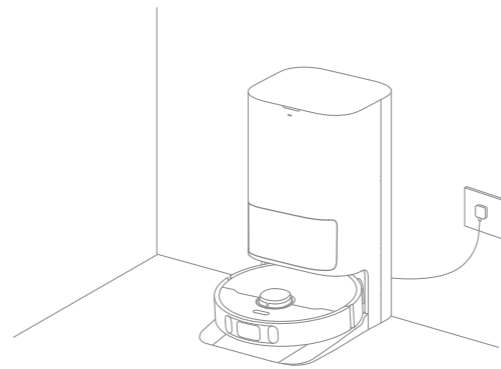
When cleaning, the robot will automatically return to the base station to wash mop pads based on the mop pad cleaning frequency specified in the app.



## How to Use

### 3. Automatically empty the dust box and wash and dry the mop pads

After the robot finishes a cleaning task and returns to the base station to charge, the base station will automatically start emptying the dust box. Then it will wash and dry the mop pads.



#### Note:

- If the auto-empty function is turned off in the app, the base station will not automatically empty the dust box.
- The base station will empty the dust box according to the setting in the app.

#### 4. Clean the used water tank

After the robot has completed its task, please clean the used water tank to prevent any odor.

### Mop after Vacuuming

Enable the mopping after vacuuming function in the app, and the robot will automatically lift the mop assembly to vacuum the floor. After vacuuming is completed, the robot will return to empty the dust box, and then start mopping after automatically lowering the mop assembly.

### Vacuum Only

Enable the vacuuming function in the app, and the robot will automatically lift the mop assembly and start vacuuming.

### Mop Only

Enable the mopping function in the app, and the robot will check if the mop assembly is installed. If not, manually install the mop assembly, and then the robot will automatically start mopping.

## Parts

To keep the robot in good condition, it is recommended to refer to the accessory usage in the app or the following table for routine maintenance.

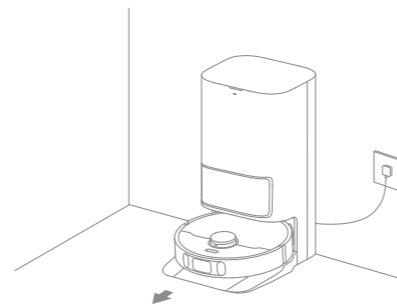
Part	Maintenance Frequency	Replacement Period
Used water tank	After each use	/
Clean water tank	Once every 2 weeks	Every 6 to 12 months
Main brush		
Dust box's filter		Every 3 to 6 months
Side brush		
Mop pad holder		/
Washboard	Once every month	/
Base station's signaling area		
Charging contacts		
Auto-empty vents		
Omnidirectional wheel		
Edge sensor		
Laser Distance Sensor (LDS)		
3D line laser sensor		

Part	Maintenance Frequency	Replacement Period
Carpet sensor	Once every month	/
Cliff sensors		
Bumper		
Bottom of the robot		
Dust box	Clean it as needed	
Dust bag	/	Every 2 to 4 months
Mop pad	/	Every 1 to 3 months

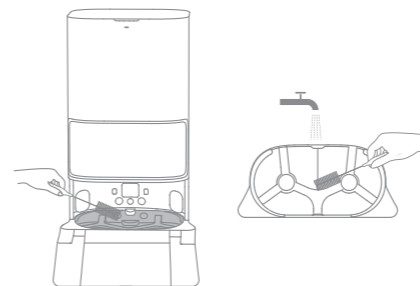
**Note:** The replacement frequency will depend on your usage of the robot. If an exception occurs due to special circumstances, the parts should be replaced.

## Washboard Base

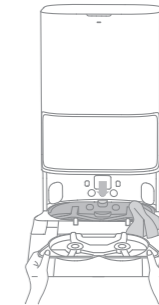
1. Enable the washboard base cleaning function in the app, and the robot will exit the base station automatically. Take out the washboard and wait for water to fill the bottom of the base station.



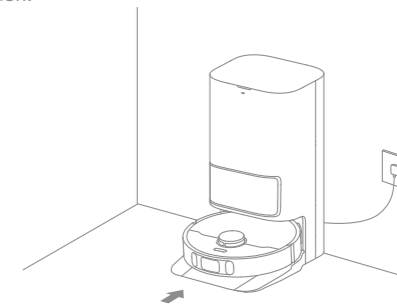
2. Rinse the washboard with clean water, and use a proper cleaning tool to clean the bottom of the base station.



3. After a moment, the base station will automatically pump out the used water. Then dry it with a soft and dry cloth, and put the washboard back into place.



4. Use the app or briefly press the  button on the robot to make it return to the base station.



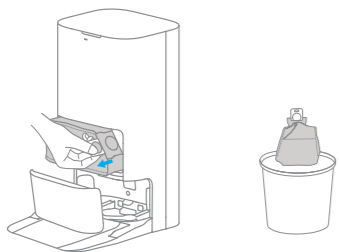
**Note:** During cleaning, do not make the robot return to the base station.



## Routine Maintenance

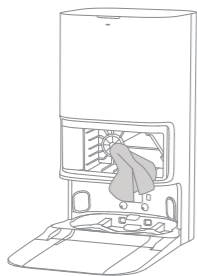
### Dust Bag

1. Remove the dust tank cover and discard the dust bag.

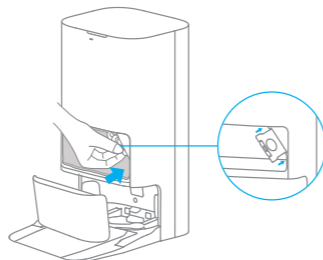


**Note:** Pulling upwards on the handle will seal the bag to prevent the dust and debris from accidentally falling out.

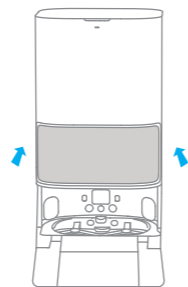
2. Remove the dust and debris from the filter with a dry cloth.



3. Install a new dust bag.



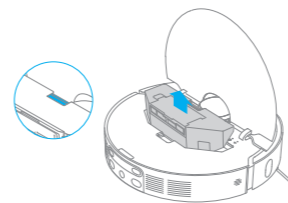
4. Reinstall the dust tank cover.



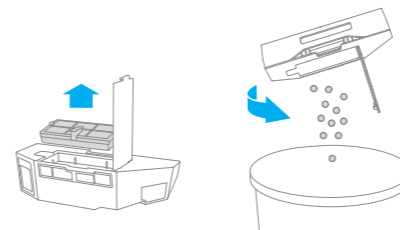
## Routine Maintenance

### Dust Box and Filter

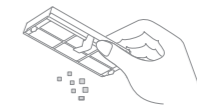
1. Open the robot cover and press the dust box clip to remove the dust box.



2. Open the dust box cover, remove the filter, and then empty the dust box as shown in the diagram.

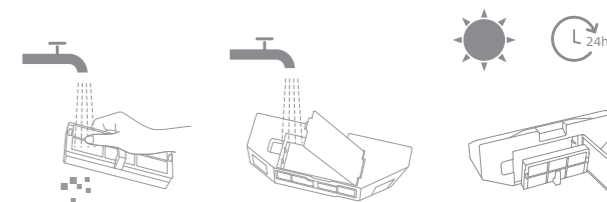


3. Gently tap the basket of the filter to remove the dirt.



**Note:** Do not attempt to clean the filter with a brush, a finger or sharp objects to prevent damage.

4. Rinse the dust box and filter with water and dry them completely before reinstalling.



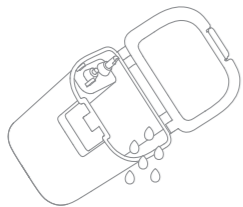
**Note:**

- Rinse the dust box and filter with clean water only. Do not use any detergent.
- Use the dust box and filter only when they are completely dry.

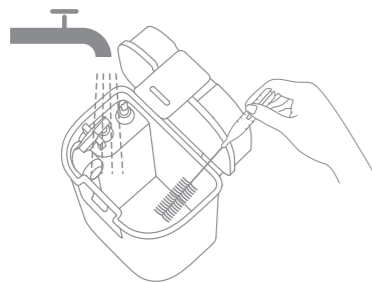
## Routine Maintenance

### Used Water Tank

1. Remove the used water tank, open its cover and pour out the used water.



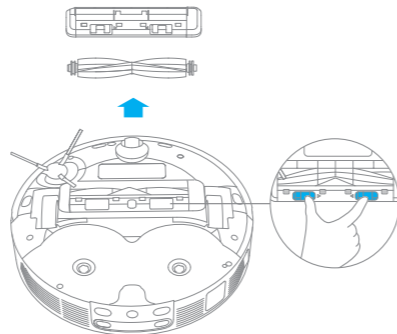
2. Rinse the used water tank with clean water, and use a proper cleaning tool to clean the inner wall of the used water tank.



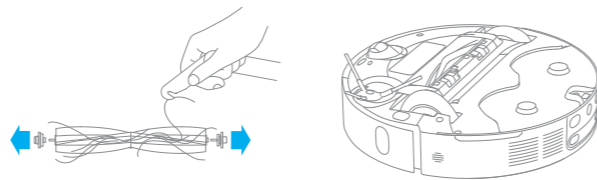
**Note:** The float ball in the used water tank is a movable part. Do not apply too much force when cleaning it to avoid damaging it.

### Main Brush

1. Press the brush guard clips inwards to remove the brush guard and lift the brush out of the robot.



2. Pull out the brush covers at both ends of the brush as shown in the figure. Use a proper cleaning tool to remove any hair tangled in the brush. Reinstall the brush covers on both ends of the brush, and then reinstall the brush. Press on the brush guard to lock it in place.



## Routine Maintenance

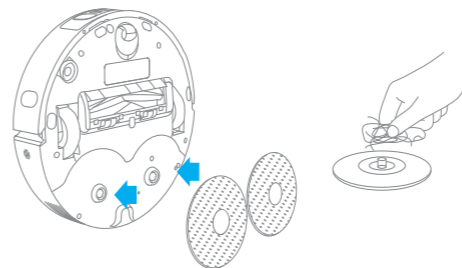
### Side Brush

Remove and clean the side brush.

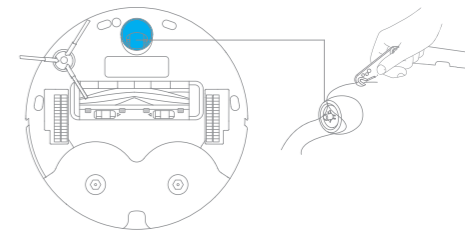


### Mop Pad Holder

Remove and clean the mop pad holder.



### Omnidirectional Wheel



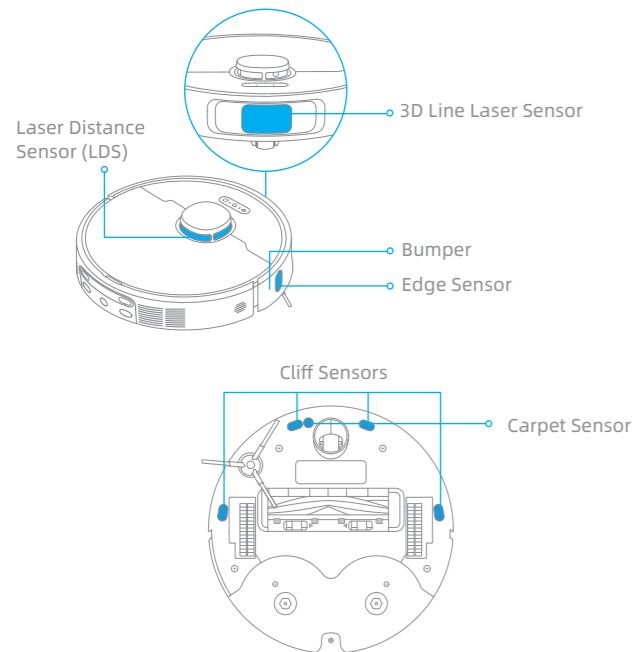
#### **Note:**

- Use a tool such as a small screwdriver to separate the axle and tire of the omnidirectional wheel. Do not use excessive force.
- Rinse the omnidirectional wheel under the running water and put it back after drying it completely.

## Routine Maintenance

### Robot Sensors

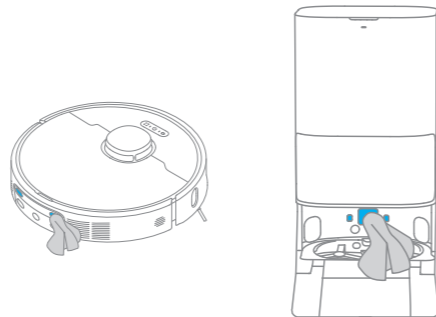
Wipe robot sensors by using a soft and dry cloth, as shown in the below figure:



**Note:** A wet cloth can damage sensitive elements within the robot and the base station. Please use a dry cloth for cleaning.

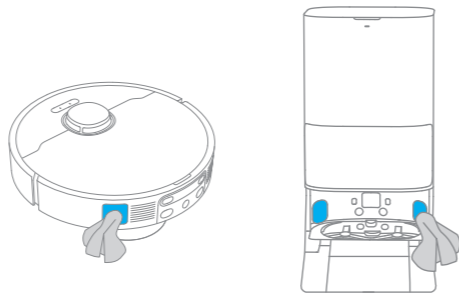
### Charging Contacts and Signaling Area

Clean the charging contacts and the signaling area with a soft and dry cloth.



### Auto-empty Vents

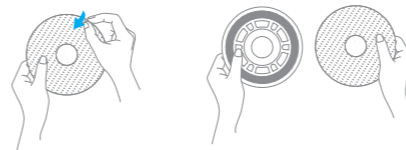
Clean the auto-empty vents of the robot and the base station with a soft and dry cloth.



## Routine Maintenance



### Mop Pad


Remove the mop pad from the mop pad holder to replace it.



### Battery

The robot contains a high-performance lithium-ion battery pack. Make sure that the battery remains well-charged for daily use to maintain optimal battery performance. If the robot is not used for an extended period of time, turn it off and put it away. To prevent damage from over-discharging, charge the robot at least once every three months.

Problem	Solution
The robot will not turn on.	The battery is low. Recharge the robot on the base and try again. The temperature of the battery is too low or too high. It is recommended to operate the appliance at a temperature between 32°F (0°C) and 104°F (40°C).
The robot will not charge.	The base station is not connected to power, please make sure both ends of its power cord are correctly plugged in. The contact between the charging contacts on the base station and the robot is poor, please clean the charging contacts. Check whether there is any foreign object at the connector of the robot and remove the foreign object if any.
The robot fails to connect to Wi-Fi.	The Wi-Fi network password is incorrect. Make sure the password used to connect to your Wi-Fi network is correct. The robot does not support a 5 GHz Wi-Fi connection. Make sure the robot is connected to a 2.4 GHz Wi-Fi connection. The Wi-Fi signal is weak. Make sure the robot is in an area with good Wi-Fi coverage. The robot may not be ready to be configured. Please exit and re-enter the app, and then try again as instructed.
The robot cannot find and return to the base station.	The base station is disconnected from power or moved when the robot is not on it. Please connect the base station to the power supply or place the robot onto the base station to charge. There are too many obstructions around the base station. Place the base station in a more open area. Moving the robot may cause it to re-position itself, and it will recreate a map if re-positioning fails. If the robot is too far from the base station, it might not be able to automatically return on its own, in which case you will need to manually place the robot onto the base station. Wipe the signaling area on the base station to remove dust or debris.
The robot gets stuck in front of the base station and cannot return to it.	Clear any obstruction within 5 cm on the left and right sides or within 1.5 m in front of the base station to prevent the robot from being blocked. The route for returning to charge is blocked, e.g. the door is closed. The robot may slip if the floor in front of the base station is overly wet. If so, clean the excess water before trying again. It is recommended to move the base station to a different place and try again. Make sure the ramp extension plate is installed properly.
The robot will not turn off.	The robot cannot be turned off when it is charging. It is recommended to move the robot from the base station, and then press and hold the button  for 3 seconds to turn it off. If the robot cannot be turned off by performing step 1, press and hold the button  for 10 seconds to forcibly turn off the robot. If the problem persists, please contact after-sales service.

Problem	Solution
The charging speed is slow.	It takes about 3.5 hours to fully charge the robot when its battery is low. If you operate the robot at temperatures outside of the specified range, the charging speed will automatically slow down to extend the battery life. The charging contacts on both the robot and the base may be dirty, please wipe them with a dry cloth.
The noise increases while the robot is operating.	Check whether the dust box filter is clogged. If so, clean it or replace it. A hard object may be caught in the main brush or the dust box. Check and remove any hard object. The main brush or the side brush may become tangled. Check and remove any foreign objects. Switch the suction mode to Standard or Quiet.
The robot moves without following the set route.	Objects such as power cords and slippers should be organized before using the robot. Working on wet slippery surfaces causes the main wheel to slip. It is recommended to dry the wet places before using the robot. Wipe the 3D line laser sensor on the robot with a clean, soft cloth to keep it clean and unobstructed.
The robot misses the rooms to be cleaned.	Make sure that the doors of the rooms to be cleaned are open. Check whether there is a threshold higher than about 2 cm at the door of the room. The robot cannot climb over high thresholds or steps. The place in front of the room to be cleaned may be wet and slippery, causing the robot to slip and work abnormally. Please try drying the floor before using the robot.
The robot will not resume cleaning after charging.	Make sure that the robot is not set to the Do Not Disturb (DND) mode, which will prevent it from resuming cleaning. The robot will not resume cleaning after you manually place the robot on the base station or send the robot to charge via the app or the button  .

Problem	Solution
The station cannot automatically empty the dust box.	Check whether the dust bag in the dust tank is full. If the dust bag is not full, check whether there is any obstruction at the auto-empty vents of the robot, the base station, or the dust box. If any, clean the blocked part in time.
The water level in the washboard is abnormal.	Check whether the seal on the used water tank is loose or not correctly installed, and manually reset it if so. If the problem persists, please contact the after-sales service team. Gently press down on the used water tank to make sure it is installed correctly. Remove the washboard and check whether the sewage drain is blocked and clean it. Check the cleaning solution. Do not add any liquid other than the officially-approved cleaning solution.
The mop pad holder is raised abnormally.	Please remove the mop pad holder to check if there is any foreign object stuck in it, and try to restart the robot. If the problem persists, please contact the after-sales service team.
There is water under the clean water tank or around the seal.	When taking out the clean water tank, some water in the pipe may be left under the tank or around the seal. This is normal. Please wipe with a dry cloth.

For more support, contact us via <https://mova-tech.com>

### Robot

Model	RLE51SE
Charging Time	Approx. 3.5 hours
Rated Voltage	14.4 V $\overline{---}$
Rated Power	75 W
Operation Frequency	2400-2483.5 MHz
Maximum Output Power	<20 dBm

### Base Station

Model	RCEE0301
Rated Input	220-240 V ~ 50-60 Hz
Rated Output	20 V $\overline{---}$ 2 A
Rated Power (during dust emptying)	700 W
Rated Power (during cleaning)	40 W
Rated Power (during charging and drying)	89 W

Under normal use of condition, this equipment should be kept a separation distance of at least 20 cm between the antenna and the body of the user.

**Note:** Rated Power (during charging and drying) is determined by the power value during full load period.

## Battery Disposal and Removal

The built-in lithium-ion battery contains substances that are hazardous to the environment. Before disposing of the battery, make sure the battery is removed by qualified technicians and discarded at an appropriate recycling facility.

- the battery must be removed from the appliance before it is scrapped;
- the appliance must be disconnected from the supply mains when removing the battery;
- the battery is to be disposed of safely.

### CAUTION:

Before removing the battery, disconnect the power and run out the battery as much as possible.

Unneeded batteries should be discarded at an appropriate recycling facility.

Do not expose to high temperature environment to avoid risks of explosion.

Under abusive conditions, liquid may be ejected from the battery. If contact occurs, flush with water and seek medical help.

### Removal Guide:

1. Turn over the robot, use a proper tool to remove the screws on the back of the robot, and then remove the cover.
2. Unplug the terminals between the battery and PCB board to remove the battery.

### WEEE Information



All products bearing this symbol are waste electrical and electronic equipment (WEEE as in directive 2012/19/EU) which should not be mixed with unsorted household waste. Instead, you should protect human health and the environment by handing over your waste equipment to a designated collection point for the recycling of waste electrical and electronic equipment, appointed by the government or local authorities. Correct disposal and recycling will help prevent potential negative consequences to the environment and human health. Please contact the installer or local authorities for more information about the location as well as terms and conditions of such collection points.

## Sicherheitshinweise

Lesen Sie die Bedienungsanleitung vor der Verwendung des Geräts sorgfältig durch und bewahren Sie sie zum späteren Nachschlagen auf, um Stromschläge, Brände oder Verletzungen durch unsachgemäßen Gebrauch des Geräts zu vermeiden.

### Benutzungseinschränkungen

- Um einen sicherer Betrieb dieses Produkts zu gewährleisten und um jegliche Risiken zu vermeiden, darf es nicht von Kindern unter 8 Jahren oder von Personen mit körperlichen, sensorischen oder intellektuellen Defiziten bzw. eingeschränkter Erfahrung oder Kenntnissen ohne die Aufsicht der Eltern oder eines Erziehungsberechtigten benutzt werden. Reinigung und Wartung dürfen nicht von Kindern ohne Aufsicht durchgeführt werden.
- Das Gerät darf nur mit dem mitgelieferten Netzteil verwendet werden.
- Dieses Gerät enthält Akkus, die nur von Fachpersonal ausgetauscht werden können.
- Räumen Sie den zu reinigenden Bereich ab. Kinder dürfen nicht mit dem Gerät spielen. Achten Sie auf einen sicheren Abstand zwischen Kindern und Haustieren und dem Roboter, während dieser in Betrieb ist.
- Das Gerät darf nicht in Badezimmern oder in der Nähe von Schwimmbecken installiert, aufgeladen oder verwendet werden.
- Dieses Produkt ist nur für die Bodenreinigung in Wohnräumen geeignet. Verwenden Sie es nicht im Freien, auf anderen Oberflächen als Bodenbeläge oder in einer gewerblichen oder industriellen Umgebung.
- Stellen Sie sicher, dass das Gerät in einer geeigneten Umgebung ordnungsgemäß funktioniert. Andernfalls dürfen Sie das Gerät nicht verwenden.
- Bei Beschädigung des Netzkabels muss es durch ein spezielles Kabel oder eine spezielle Einheit ersetzt werden, die Sie beim Hersteller oder seinem Kundendienst erhalten können.

**Benutzungseinschränkungen**

- Benutzen Sie den Roboter nicht in einem Bereich, der über dem Boden freisteht, ohne dass eine Schutzbarriere vorhanden ist.
- Stellen Sie den Roboter nicht auf den Kopf. Nutzen Sie die LDS-Abdeckung, die Roboterabdeckung oder den Stoßfänger nicht als Griff für den Roboter.
- Verwenden Sie den Roboter in Räumen mit einer Umgebungstemperatur von über 0 °C und unter 40 °C. Stellen Sie sicher, dass sich keine Flüssigkeiten oder klebrigen Substanzen auf dem Boden befinden.
- Entfernen Sie vor dem Betrieb des Geräts alle freistehenden Gegenstände vom Boden, sowie alle auf dem Reinigungspfad herumliegenden Kabel oder Netzkabel, um Schäden bzw. Verletzungen durch Nachziehen zu vermeiden.
- Entfernen Sie zerbrechliche oder kleine Gegenstände vom Boden, um eine Kollision des Roboters mit diesen Gegenständen und deren Beschädigung zu vermeiden.
- Halten Sie Haare, Finger und andere Körperteile von der Saugöffnung des Roboters fern.
- Bewahren Sie das Reinigungswerkzeug außerhalb der Reichweite von Kindern auf.
- Betreiben Sie das Gerät nicht in einem Zimmer mit schlafenden Säuglingen oder Kindern.
- Verhindern Sie, dass sich Kinder, Haustiere oder andere Gegenstände auf den Roboter befinden, unabhängig davon, ob er steht oder sich bewegt.
- In den Frischwasserbehälter darf nur sauberes Wasser und die offiziell zugelassene Reinigungsflüssigkeit eingefüllt werden. Fügen Sie keine anderen Flüssigkeiten wie z. B. Alkohol oder Desinfektionsmittel hinzu.

Das richtige Mischungsverhältnis von Reinigungsflüssigkeit und sauberem Wasser steht auf der Flasche mit der Reinigungsflüssigkeit. Bewahren Sie die Reinigungsflüssigkeit außerhalb der Reichweite von Kindern auf.

- Verwenden Sie den Roboter nicht zum Reinigen im Falle von brennenden Gegenständen. Verwenden Sie den Roboter nicht, um entflammbare oder brennbare Flüssigkeiten, ätzende Gase oder unverdünnte Säuren oder Lösungsmittel aufzusaugen.
- Keine harten oder scharfen Gegenstände aufsaugen. Verwenden Sie das Gerät nicht zum Aufsaugen von Gegenständen wie Steinen, großen Papierstücken oder anderen Gegenständen, die zur Verstopfung des Geräts führen können.
- Vor der Reinigung oder Wartung des Geräts muss der Stecker aus der Steckdose gezogen werden.
- Wischen Sie den Roboter oder die Basisstation nicht mit einem feuchten Tuch ab und spülen Sie diese nicht mit Flüssigkeiten aus. Lassen Sie die abwaschbaren Teile nach der Reinigung vollständig trocknen, bevor Sie sie wieder einbauen und benutzen.
- Verwenden Sie dieses Gerät gemäß den Anweisungen im Benutzerhandbuch. Der Benutzer ist für alle auf Grund einer unsachgemäßen Verwendung dieses Produkts entstandenen Verluste oder Schäden verantwortlich.

**Akkus und Aufladen**

- Verwenden Sie keine Akkus oder eine Basisstation von externen Anbietern. Der Roboter kann nur mit der Basisstation Modell RCEE0301 verwendet werden.
- Versuchen Sie nicht, den Akku oder die Basisstation selbst zu zerlegen, zu reparieren oder zu verändern.

**Akkus und Aufladen**

- Stellen Sie die Basisstation nicht in der Nähe einer Wärmequelle auf.
- Reinigen Sie die Ladekontakte der Basisstation niemals mit einem feuchten Tuch oder nassen Händen.
- Entsorgen Sie alte Akkus nicht unsachgemäß. Nicht mehr benötigte Akkus sind in einer geeigneten Recyclingeinrichtung zu entsorgen.
- Im Falle einer Beschädigung oder eines Defekts des Netzkabels stellen Sie die Verwendung sofort ein und wenden Sie sich an den Kundendienst.
- Achten Sie darauf, dass der Roboter beim Transport ausgeschaltet ist und möglichst in seiner Originalverpackung aufbewahrt wird.
- Bei längerer Nichtbenutzung des Roboters sollte er vollständig aufgeladen, danach ausgeschaltet und an einem kühlen, trockenen Ort aufbewahrt werden. Laden Sie den Roboter mindestens einmal alle 3 Monate auf, um eine Tiefentladung des Akkus zu vermeiden.

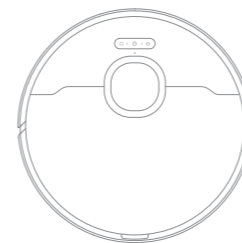
**Informationen zur Lasersicherheit**

- Der Lasersensor in diesem Produkt entspricht der Norm IEC 60825-1:2014/EN 60825-1:2014/A11:2021 für Laserprodukte der Klasse 1. Bei der Verwendung ist direkter Augenkontakt zu vermeiden.

LASERPRODUKT DER KLASSE 1  
 LASERPRODUKT FÜR VERBRAUCHER  
 EN 50689:2021

Hiermit erklärt Dreame Trading (Tianjin) Co., Ltd. dass das Funkgerät des Typs RLE51SE den Anforderungen der Richtlinie 2014/53/EU entspricht. Der vollständige Text der EU-Konformitätserklärung kann unter folgender Internetadresse eingesehen werden:  
<https://mova-tech.com>

Ein ausführliches elektronisches Handbuch finden Sie unter <https://www.mova-tech.com/pages/user-manuals-and-faqs>

**Produktübersicht****Packungsinhalt**

Roboter



Basisstation



Seitenbürste



Netzkabel



Benutzerhandbuch

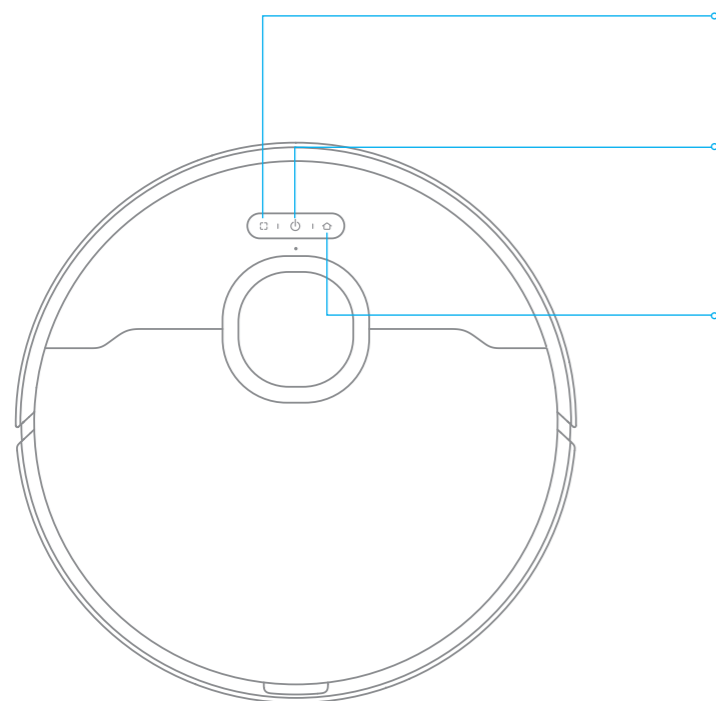
Rampenverlängerungsplatte  
der BasisstationWischpad × 2  
(vorinstalliert)

Wischpadhalter × 2

Staubbeutel  
(vorinstalliert)**Sonstiges Zubehör**



## Roboter



- Taste für die Punktreinigung**
  - Drücken Sie diese Taste, um die Punktreinigung zu starten

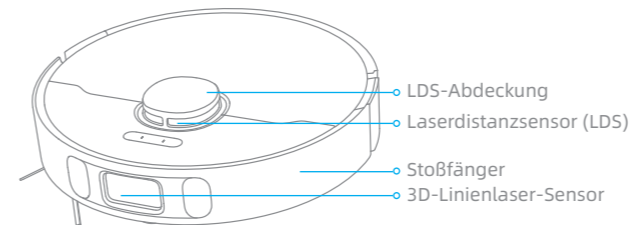
- Einschalt-/ Reinigungstaste**
  - Halten Sie die Taste 3 Sekunden lang gedrückt, um das Gerät ein- oder auszuschalten
  - Drücken Sie diese Taste, um die Reinigung nach dem Einschalten des Roboters zu starten

- Basisstation-Taste**
  - Drücken Sie diese Taste für die Rückkehr des Roboters zur Basisstation
  - Halten Sie die Taste 3 Sekunden lang gedrückt, um die Kindersicherung zu deaktivieren

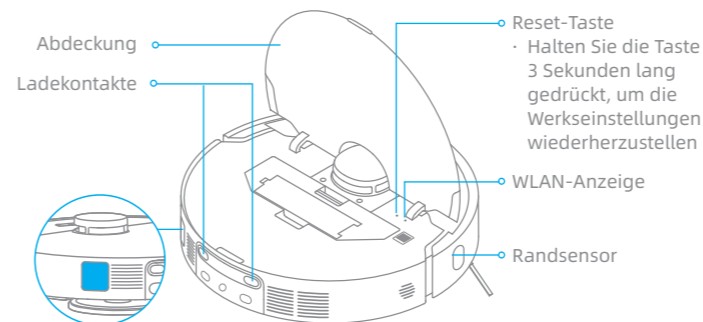
- Status-Anzeige**
- Leuchtet weiß: Reinigung oder Säuberung abgeschlossen
  - Hauchend weiß: Aufladen (bei nicht niedrigem Akkustand)
  - Leuchtet orange: Stand-by bei niedrigem Akkustand oder angehalten bei niedrigem Akkustand
  - Hauchend orange: Aufladen (bei niedrigem Akkustand)
  - Blinkt orange: Fehler

- Hinweis:**
- Durch Drücken einer beliebigen Taste am Roboter können Sie den Betrieb pausieren während der Roboter reinigt oder zur Ladestation zurückkehrt.
  - Die Kindersicherung kann über die App aktiviert/deaktiviert werden.

## Roboter und Sensoren

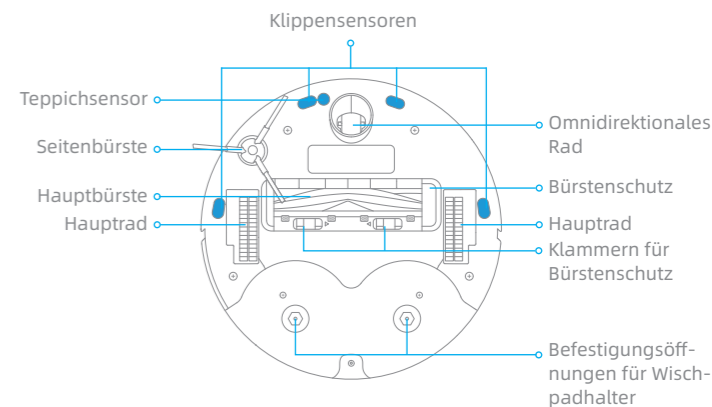


- LDS-Abdeckung
- Laserdistanzsensor (LDS)
- Stoßfänger
- 3D-Linienlaser-Sensor



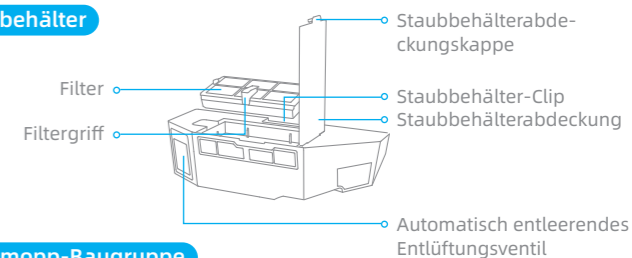
- Abdeckung
- Ladekontakte
- Reset-Taste
  - Halten Sie die Taste 3 Sekunden lang gedrückt, um die Werkseinstellungen wiederherzustellen
- WLAN-Anzeige
- Randsensor

Automatisch entleerendes Entlüftungsventil



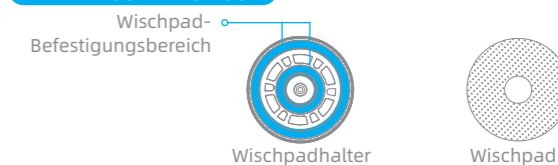
- Teppichsensor
- Seitenbürste
- Hauptbürste
- Hauptrad
- Klippensensoren
- Omnidirektionales Rad
- Bürstenschutz
- Hauptrad
- Klammern für Bürstenschutz
- Befestigungsöffnungen für Wischpadhalter

## Staubbehälter



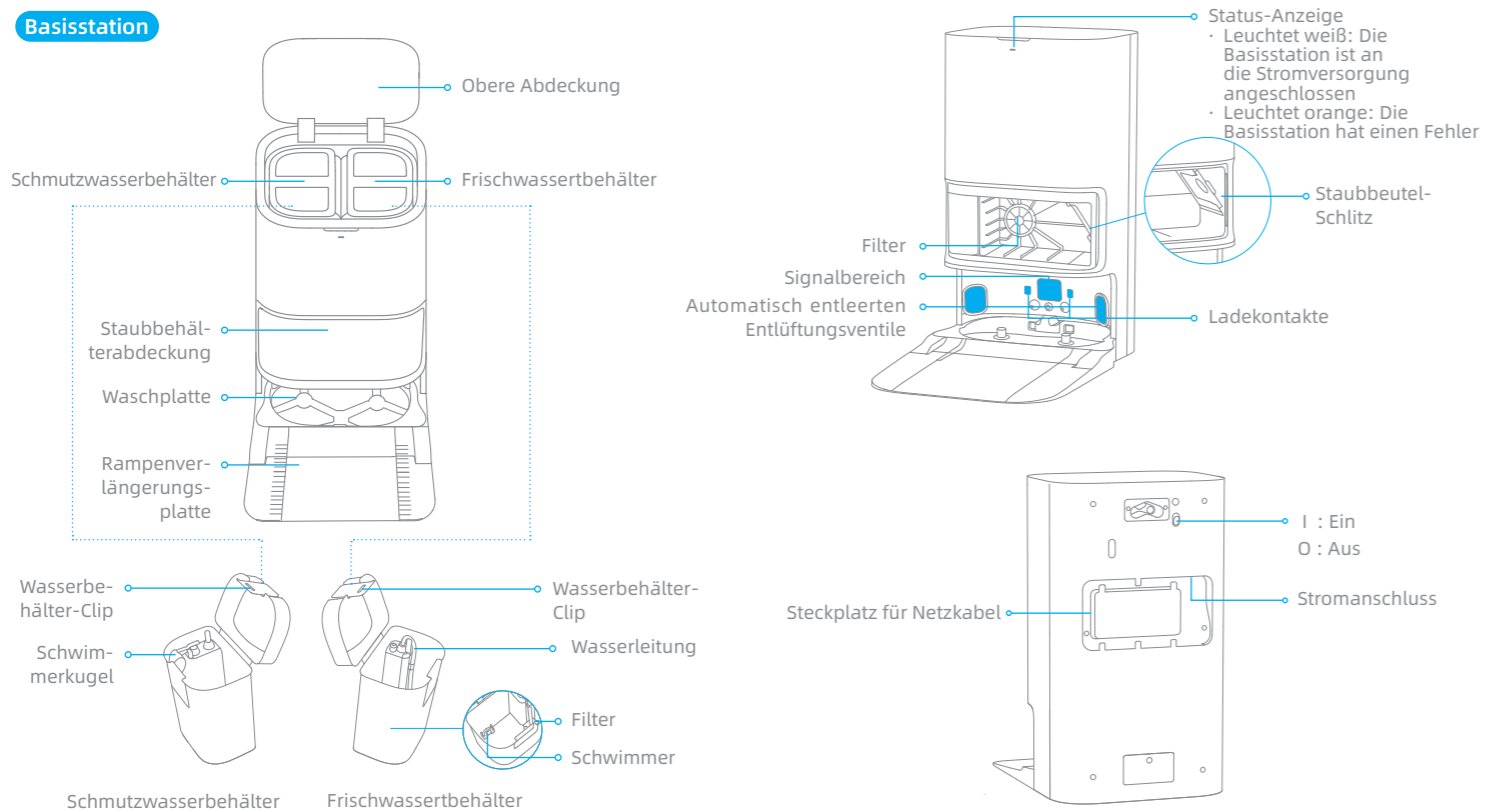
- Staubbehälterabdeckungskappe
- Filter
- Filtergriff
- Staubbehälter-Clip
- Staubbehälterabdeckung
- Automatisch entleerendes Entlüftungsventil

## Wischnopp-Baugruppe

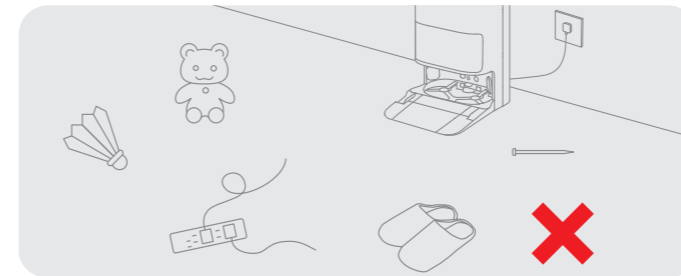


- Wischnopp-Befestigungsbereich
- Wischpadhalter
- Wischpad

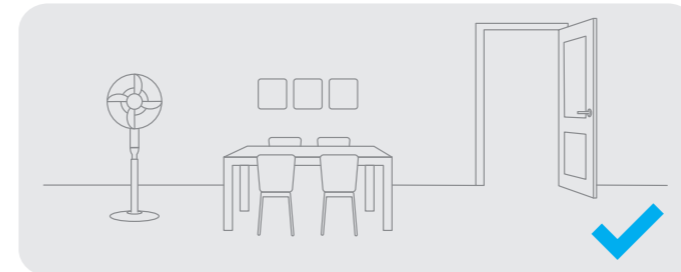
## Basisstation



## Vorbereitung des Zuhauses



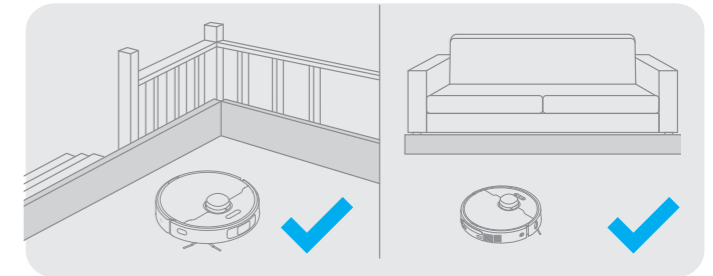
Entfernen Sie vor der Reinigung instabile, zerbrechliche, wertvolle oder gefährliche Gegenstände und räumen Sie Kabel, Tücher, Spielzeug, harte und scharfe Gegenstände vom Fußboden auf, um ein Verfangen, Zerkratzen oder Umfallen des Roboters und damit verbundene Verluste zu vermeiden.



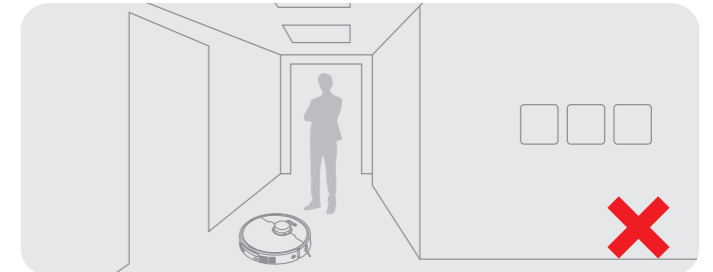
Öffnen Sie die Tür des zu reinigenden Raumes und stellen Sie die Möbel in die geeignete Position, um mehr Platz zu schaffen.

## Hinweis:

- Folgen Sie dem Roboter bei der ersten Inbetriebnahme während des Reinigungsvorgangs, um mögliche Hindernisse rechtzeitig zu entfernen.
- Saugen Sie keine harten Gegenstände wie Steine, Stahlkugeln und Spielzeugteile oder scharfe Gegenstände wie Bauschutt, Glasscherben und Nägel auf, da dadurch der Boden verkratzt werden kann.



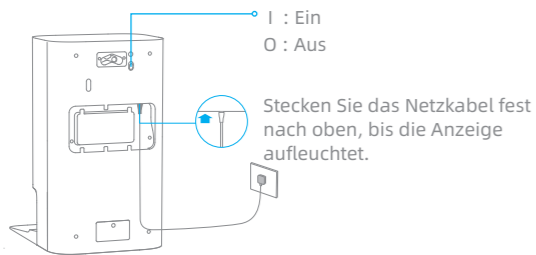
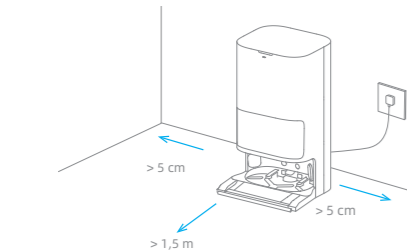
Montieren Sie vor der Reinigung die physische Barriere an den Kanten von Treppen und Möbeln, um dem Roboter ein reibungsloses Arbeiten zu ermöglichen.



Um zu verhindern, dass der Roboter die zu reinigenden Bereiche nicht erkennt, sollten Sie sich nicht vor dem Roboter, vor Schwellen, Fluren oder engen Stellen aufhalten.

**1. Stellen Sie die Basisstation auf und stecken Sie den Stecker in die Steckdose**

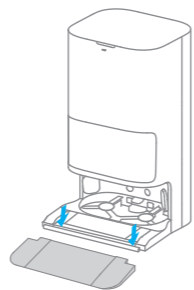
Stellen Sie die Basisstation an einem möglichst freistehenden Ort mit gutem WLAN-Signal auf. Entfernen Sie alle Gegenstände, die sich näher als 1,5 m von der Vorderseite und 5 cm von jeder Seite der Basisstation befinden. Schließen Sie das Netzkabel an die Basisstation und stecken Sie es in die Steckdose.



**Hinweis:**

- Achten Sie darauf, dass keine Gegenstände den Signalisierungsbereich blockieren.
- Um zu verhindern, dass Wasserflecken Holzböden oder Teppiche nässen, empfiehlt es sich, die Basisstation auf Fliesen- oder Marmorfußböden zu stellen.


**2. Installation der Rampenverlängerungsplatte**

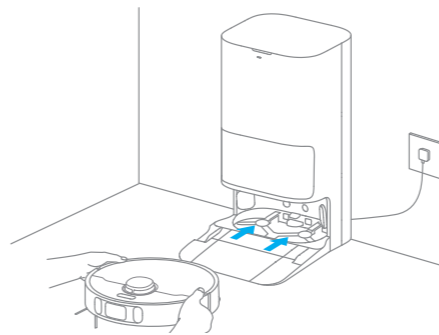


**3. Entfernen Sie die Schutzvorrichtungen des Roboters und installieren Sie die Seitenbürste und die Mopp-Baugruppe**



**4. Den Roboter mit der Ladestation verbinden**

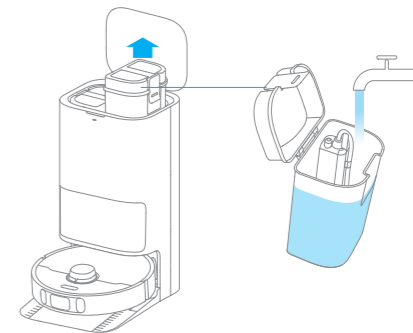
Zum Einschalten des Roboters die Taste  am Roboter drücken und 3 Sekunden lang gedrückt halten. Setzen Sie den Roboter so auf die Basisstation, dass die Mopp-Baugruppe zur Waschplatte zeigt. Anschließend hören Sie eine Sprachmeldung, wenn sich der Roboter erfolgreich mit der Basisstation verbunden hat.



**Hinweis:** Es wird empfohlen, den Roboter vor der ersten Inbetriebnahme vollständig aufzuladen. Wenn sich der Roboter aufgrund eines leeren Akkus nicht einschalten lässt, verbinden Sie ihn zum Aufladen manuell mit der Basisstation.

**5. Wasser in den Frischwasserbehälter einfüllen**

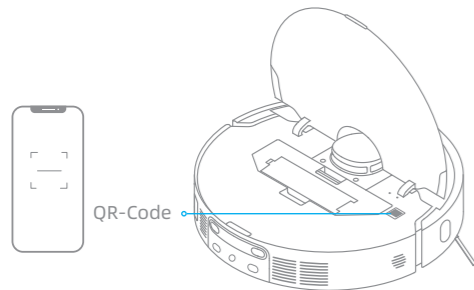
Nehmen Sie den Frischwasserbehälter aus der Basisstation heraus und füllen Sie den Behälter mit sauberem Wasser. Danach setzen Sie ihn wieder in die Basisstation ein.



**Hinweis:** Füllen Sie kein heißes Wasser ein, da sonst der Frischwasserbehälter verformt werden kann.

**1. Laden Sie die App herunter**

Scannen Sie den QR-Code auf dem Roboter, um die App herunterzuladen und zu installieren.

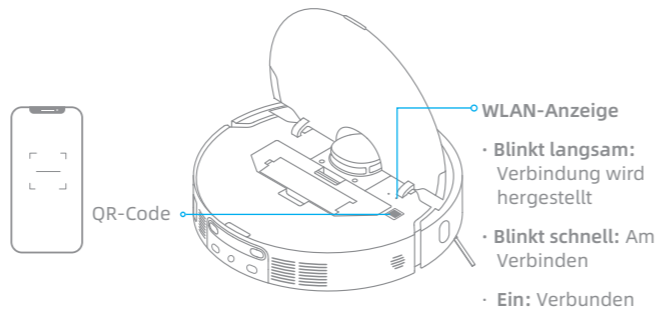
**Hinweis:**



- Es wird nur 2,4-GHz-WLAN unterstützt.
- Aufgrund von Aktualisierungen der App-Software kann der tatsächliche Betrieb von den Anweisungen in dieser Anleitung abweichen. Bitte folgen Sie den auf der aktuellen App-Version basierenden Anweisungen.

**2. Gerät hinzufügen**

Öffnen Sie die App, tippen Sie auf „Scannen Sie den QR-Code zum verbinden“, und scannen Sie denselben QR-Code auf dem Roboter erneut, um das Gerät hinzuzufügen. Bitte folgen Sie den Anweisungen, um die WLAN-Verbindung herzustellen.

**Hinweis:** Zum Zurücksetzen der WLAN-Verbindung wiederholen Sie Schritt 2 und folgen Sie den Anweisungen, um die WLAN-Verbindung zu erstellen.

**Anwendung****Einschalten/Ausschalten**

Zum Einschalten des Roboters halten Sie die Taste  3 Sekunden lang gedrückt. Die Betriebsanzeige sollte leuchten. Stellen Sie den Roboter auf die Basisstation. Der Roboter sollte sich automatisch einschalten und mit dem Aufladen beginnen. Um den Roboter auszuschalten, entfernen Sie den Roboter von der Basisstation und halten Sie die Taste  3 Sekunden lang gedrückt.

**Schnelle Kartenerstellung**

Nach der erstmaligen Konfiguration des Netzwerks folgen Sie zur schnellen Kartenerstellung den Anweisungen in der App. Der Roboter beginnt mit der Kartenerstellung ohne Reinigung. Wenn der Roboter zur Basisstation zurückkehrt, ist die Kartenerstellung abgeschlossen und die Karte wird automatisch gespeichert.

**Pause/Ruhemodus**

Wenn der Roboter läuft, drücken Sie eine beliebige Taste, um ihn anzuhalten. Wird der Roboter länger als 10 Minuten angehalten, geht er automatisch in den Ruhemodus über. Alle Anzeigen am Roboter schalten sich aus. Drücken Sie eine beliebige Taste auf dem Roboter, oder nutzen Sie die App, um den Roboter wieder in Betrieb zu nehmen.

**Hinweis:** Wird der Roboter ausgeschaltet und auf die Basisstation gestellt, endet die aktuelle Reinigungsaufgabe.

**Reinigung automatisch fortsetzen**

Wenn der Akku zu schwach ist, kehrt der Roboter automatisch zur Basisstation zum Aufladen zurück. Wenn der Akku ausreichend aufgeladen ist, setzt er die noch nicht abgeschlossenen Reinigungsaufgaben fort.

**Hinweis:** Zur Nutzung dieser Funktion müssen Sie diese in der App aktivieren.


**Nicht-Stören-Modus (DND)**

Ist der Roboter auf den Nicht-Stören-Modus (DND) eingestellt, kann er die Reinigung nicht fortsetzen und die Betriebsanzeige erlischt. Der Nicht-Stören-Modus (DND) ist ab Werk standardmäßig deaktiviert. Sie können den Nicht-Stören-Modus (DND) über die App aktivieren oder den DND-Zeitraum ändern. Der Nicht-Stören-Zeitraum (DND) ist standardmäßig auf 22:00-8:00 Uhr eingestellt.


**Hinweis:**

- Die geplanten Reinigungsaufgaben werden während des Nicht-Stören-Zeitraums (DND) wie gewohnt ausgeführt.
- Der Roboter wird die Reinigung fortsetzen, wo er nach Ablauf des DND-Zeitraums aufgehört hat.

**Punktreinigung**

Drücken Sie im Standby-Modus des Roboters kurz die Taste , um den Punktreinigungsmodus zu aktivieren. In diesem Modus reinigt der Roboter einen quadratischen Bereich von 1,5 x 1,5 Meter um ihn herum und kehrt zu seinem Ausgangspunkt zurück, sobald die Reinigung bestimmter Bereiche abgeschlossen ist.


**Roboter neu starten**

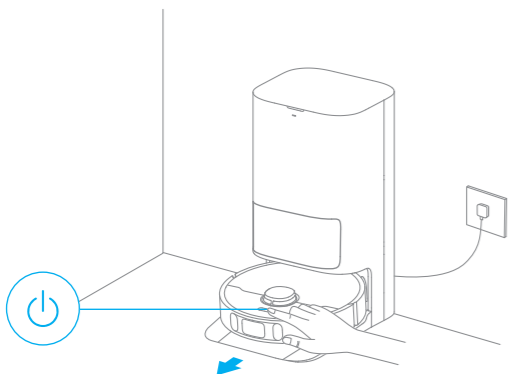
Wenn der Roboter nicht mehr reagiert oder sich nicht ausschalten lässt, halten Sie die Taste  10 Sekunden lang gedrückt, um ihn zwangsweise auszuschalten. Zum Einschalten des Roboters halten Sie dann die Taste  3 Sekunden lang gedrückt.

**Staubsaugen und Wischen**

**Hinweis:** Wenn Sie die Mopp-Baugruppe zum ersten Mal verwenden, führt der Roboter standardmäßig die Aufgabe „Staubsaugen und Wischen“ aus.

**1. Beginne mit der Reinigung**

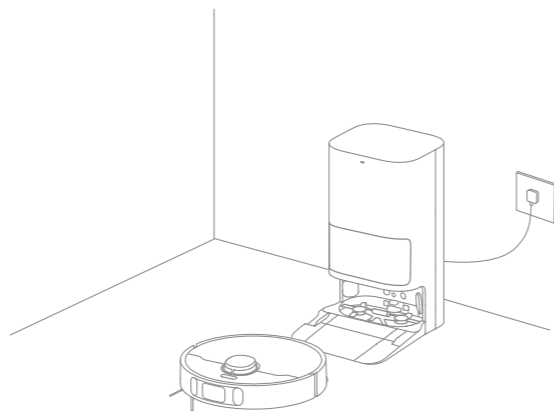
Drücken Sie die Taste  am Roboter oder nutzen Sie die App, um den Roboter von der Basisstation aus starten zu lassen. Dann plant der Roboter die optimale Reinigungsrouten und führt die Reinigungsaufgabe auf der Grundlage der erstellten Karte aus.

**Hinweis:**

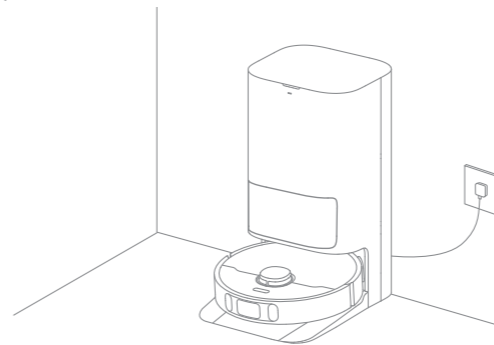
- Um eine problemlose Rückkehr des Roboters zur Basisstation nach der Reinigung zu gewährleisten, empfiehlt es sich, den Roboter von der Basisstation aus starten zu lassen.
- Der Wischmopp wird gereinigt, bevor der Roboter mit dem Wischen beginnt, bitte warten Sie mit Geduld.
- Bewegen Sie die Basisstation, den Frischwasserbehälter, den Schmutzwasserbehälter oder das Waschbrett während der Reinigung nicht.

**2. Automatisches Waschen des Wischmopps**

Während der Reinigung kehrt der Roboter automatisch zur Basisstation zurück, um die Wischmopps zu waschen, je nach der in der App festgelegten Häufigkeit der Wischmoppreinigung.

**3. Automatisches Entleeren des Staubbehälters und Waschen und Trocknen der Wischmopps**

Nachdem der Roboter eine Reinigungsaufgabe erledigt hat und zum Aufladen zur Basisstation zurückkehrt, beginnt die Basisstation automatisch mit dem Entleeren des Staubbehälters. Anschließend wäscht und trocknet sie die Mopps.

**Hinweis:**

- Wenn die automatische Entleerungsfunktion in der App ausgeschaltet ist, leert die Basisstation den Staubbehälter nicht automatisch.
- Die Basisstation leert den Staubbehälter gemäß der Einstellung in der App.

**4. Reinigen Sie den Schmutzwasserbehälter**

Nachdem der Roboter seine Aufgabe erfüllt hat, reinigen Sie bitte den Schmutzwasserbehälter, um Geruchsbildung zu vermeiden.

**Wischen nach dem Staubsaugen**

Aktivieren Sie in der App die Funktion „Wischen nach dem Staubsaugen“. Der Roboter hebt dann automatisch den Wischmopp an und staubsaugt den Boden. Nach Beendigung des Staubsaugvorgangs kehrt der Roboter zurück, um den Staubbehälter zu entleeren, und beginnt dann nach dem automatischen Absenken der Mopp-Baugruppe.

**Nur Staubsaugen**

Aktivieren Sie die Funktion „Staubsaugen“ in der App, und der Roboter hebt automatisch den Mopp an und beginnt mit dem Staubsaugen.

**Nur Wischen**

Aktivieren Sie die Wischfunktion in der App, und der Roboter prüft, ob die Mopp-Baugruppe installiert ist. Sollte dies nicht der Fall sein, setzen Sie die Mopp-Baugruppe manuell ein, woraufhin der Roboter automatisch mit dem Wischen beginnt.

**Teile**

Um den Roboter in einem einwandfreien Zustand zu halten, wird empfohlen, in der App oder in der folgenden Tabelle die Hinweise zur regelmäßigen Wartung des Zubehörs zu beachten.

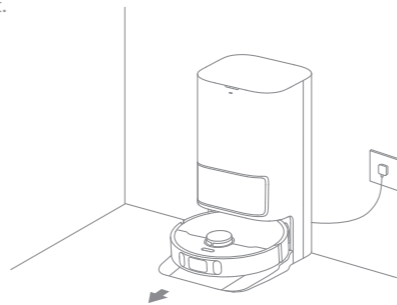
Teil	Wartungsintervall	Häufigkeit des Austausches
Schmutzwasserbehälter	Nach jedem Gebrauch	/
Frischwasserbehälter	Einmal alle 2 Wochen	Alle 6 bis 12 Monate
Hauptbürste		Alle 3 bis 6 Monate
Staubbehälterfilter		/
Seitenbürste		/
Wischpadhalter		/
Waschplatte	Einmal im Monat	/
Signalbereich der Basisstation		
Ladekontakte		
Automatisch entleerten Entlüftungsventile		
Omnidirektionales Rad		
Randsensor		
Laserdistanzsensor (LDS)		
3D-Linienlaser-Sensor		

Teil	Wartungsintervall	Häufigkeit des Austausches
Teppichsensor	Einmal im Monat	/
Klippensensoren		
Stoßfänger		
Unterseite des Roboters	Nach Bedarf reinigen	/
Staubbehälter		
Staubbeutel	/	Alle 2 bis 4 Monate
Wischpad	/	Alle 1 bis 3 Monate

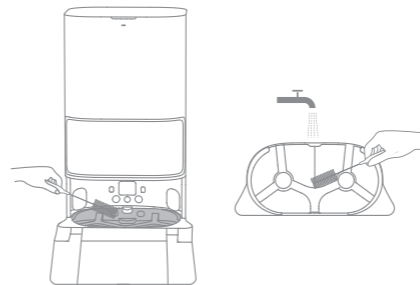
**Hinweis:** Die Austauschintervalle hängen von der Nutzung des Roboters ab. Sollte durch besondere Umstände eine Ausnahme auftreten, müssen die Teile ausgetauscht werden.

**Waschplattenbasis**

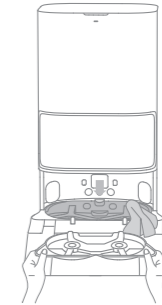
1. Aktivieren Sie die Funktion zur Reinigung der Waschplattenbasis in der App, und der Roboter verlässt die Basisstation automatisch. Nehmen Sie die Waschplatte heraus und warten Sie, bis sich der Boden der Basisstation mit Wasser füllt.




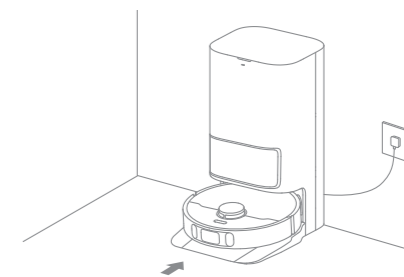
2. Spülen Sie die Waschplatte mit sauberem Wasser ab, und reinigen Sie die Unterseite der Basisstation mit dem geeigneten Reinigungswerkzeug.



3. Nach kurzer Zeit pumpt die Basisstation das Schmutzwasser automatisch ab. Trocknen Sie die Basisstation dann mit einem weichen, trockenen Tuch ab und setzen Sie die Waschplatte wieder an ihren Platz.



4. Nutzen Sie die App oder drücken Sie kurz die Taste  am Roboter, um ihn zur Basisstation zurückzuholen.

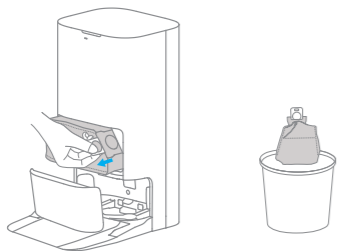


**Hinweis:** Lassen Sie den Roboter während der Reinigung nicht zur Basisstation zurückkehren.

## Regelmäßige Wartung

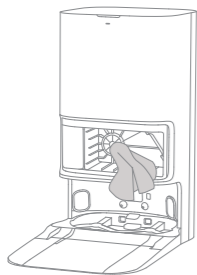
### Staubbeutel

1. Entfernen Sie die Staubbehälterabdeckung und entsorgen Sie den Staubbeutel.

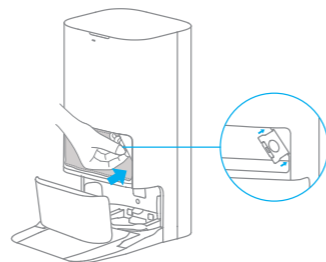


**Hinweis:** Wenn Sie den Griff nach oben ziehen, wird der Beutel verschlossen, damit Staub und Schmutz nicht versehentlich herausfallen können.

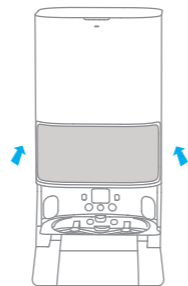
2. Entfernen Sie den Staub und die Verunreinigungen mit einem trockenen Tuch vom Filter.



3. Setzen Sie einen neuen Staubbeutel ein.



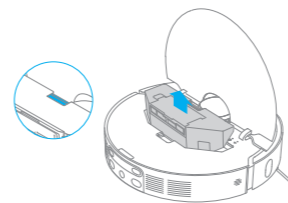
4. Bringen Sie die Staubbehälterabdeckung wieder an.



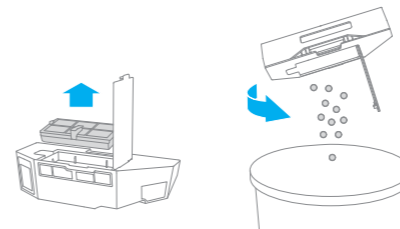
## Regelmäßige Wartung

### Staubbehälter und Filter

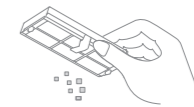
1. Öffnen Sie die Abdeckung des Roboters und drücken Sie den Staubbehälter-Clip, um den Staubbehälter zu entfernen.



2. Öffnen Sie die Staubbehälter-abdeckung, entfernen Sie den Filter und leeren Sie den Staubbehälter wie in der Abbildung gezeigt.

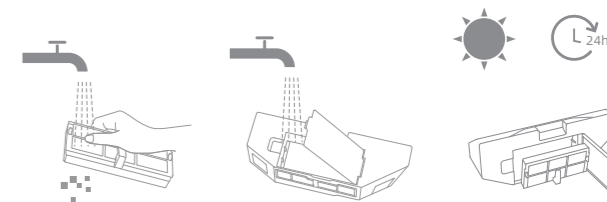


3. Klopfen Sie leicht auf den Korb des Filters, um den Schmutz zu entfernen.



**Hinweis:** Reinigen Sie den Filter niemals mit einer Bürste, einem Finger oder scharfen Gegenständen, um Schäden zu vermeiden.

4. Spülen Sie den Staubbehälter und den Filter mit Wasser ab und trocknen Sie sie vor dem Einbau vollständig ab.



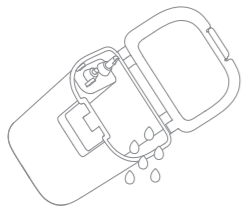
**Hinweis:**

- Spülen Sie den Staubbehälter und den Filter nur mit sauberem Wasser ab. Keine Reinigungsmittel verwenden.
- Verwenden Sie den Staubbehälter und den Filter nur, wenn sie vollständig trocken sind.

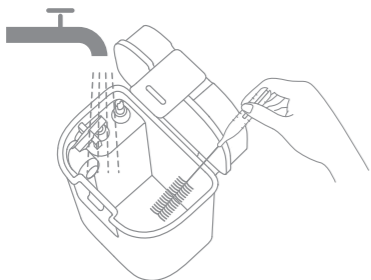
## Regelmäßige Wartung

### Schmutzwasserbehälter

1. Entfernen Sie den Schmutzwasserbehälter, öffnen Sie den Deckel und gießen Sie das Schmutzwasser aus.



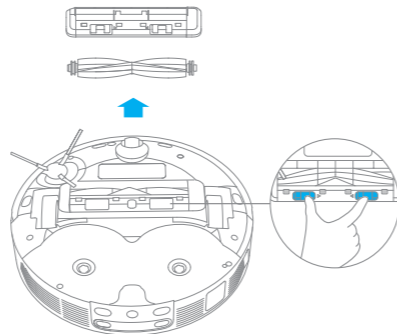
2. Spülen Sie den Schmutzwasserbehälter mit sauberem Wasser aus, und reinigen Sie die Innenwand des Schmutzwasserbehälters mit dem geeigneten Reinigungswerkzeug.



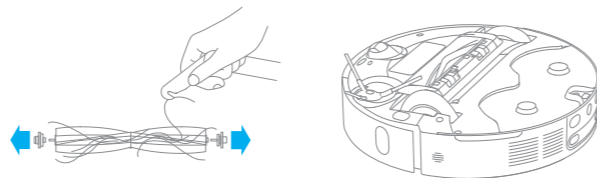
**Hinweis:** Die Schwimmerkugel im Schmutzwasserbehälter ist ein bewegliches Teil. Üben Sie beim Reinigen nicht zu viel Kraft aus, um sie nicht zu beschädigen.

### Hauptbürste

1. Drücken Sie den Bürstenschutz-Clip nach innen, um den Bürstenschutz zu entfernen und die Bürste aus dem Roboter zu heben.



2. Ziehen Sie die Bürstenabdeckungen an beiden Enden der Bürste heraus, wie in der Abbildung gezeigt. Entfernen Sie mit dem geeigneten Reinigungswerkzeug alle in der Bürste verhedderten Haare. Bringen Sie die Bürstenabdeckungen an beiden Enden der Bürste wieder an und setzen Sie anschließend die Bürste wieder ein. Drücken Sie auf den Bürstenschutz, um ihn zu arretieren.



## Regelmäßige Wartung

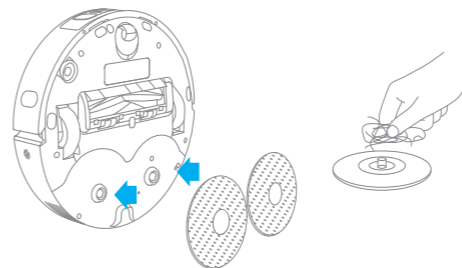
### Seitenbürste

Entfernen und reinigen Sie die Seitenbürste.

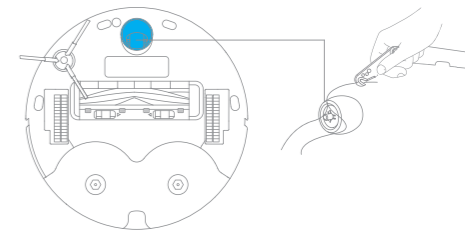


### Wischpadhalter

Entfernen und reinigen Sie den Wischpadhalter.



### Omnidirektionales Rad



#### Hinweis:

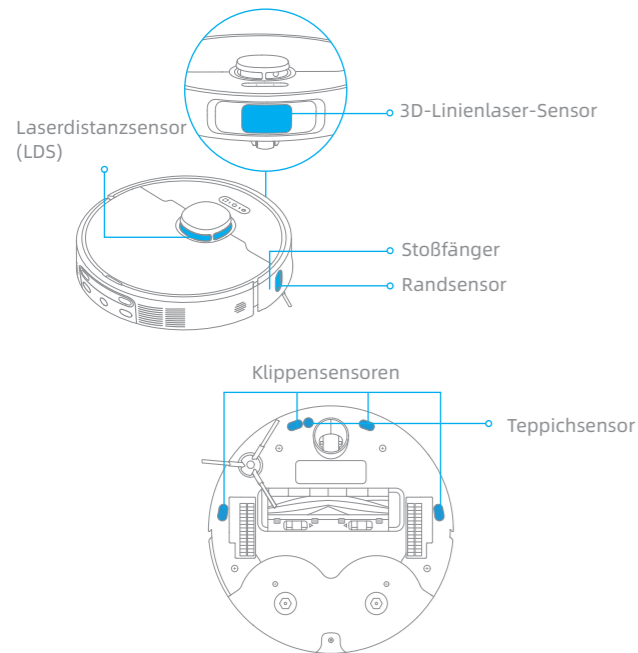
- Trennen Sie die Achse und den Reifen des Rundumlaufwads mit einem Werkzeug, z. B. einem kleinen Schraubendreher. Üben Sie dabei keine übermäßige Kraft aus.
- Spülen Sie das omnidirektionale Rad unter fließendem Wasser ab und setzen Sie es nach dem vollständigen Trocknen wieder ein.



## Regelmäßige Wartung

### Roboter-Sensoren

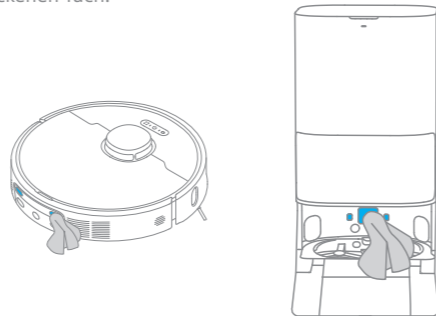
Wischen Sie die Roboter-Sensoren mit einem weichen und trockenen Tuch ab, wie in der folgenden Abbildung dargestellt:



**Hinweis:** Ein feuchtes Tuch kann empfindliche Elemente im Inneren des Roboters und der Basisstation beschädigen. Bitte nutzen Sie ein trockenes Tuch zur Reinigung.

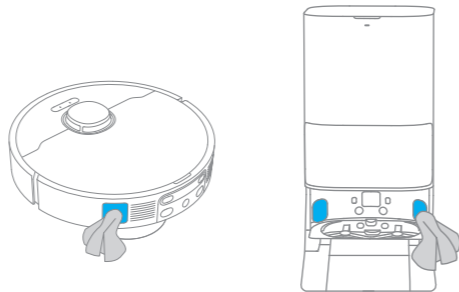
### Ladekontakte und Signalbereich

Reinigen Sie die Ladekontakte und den Signalisierungsbereich mit einem weichen, trockenen Tuch.



### Automatisch entleerten Entlüftungsventile

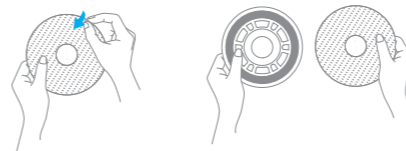
Reinigen Sie die automatisch entleerten Entlüftungsventile des Roboters und der Basisstation mit einem weichen, trockenen Tuch.



## Regelmäßige Wartung

### Wischpad



Entfernen Sie das Wischpad aus dem Wischpadhalter, um es auszutauschen.




### Akku

Der Roboter enthält einen leistungsstarken Lithium-Ionen-Akku. Sorgen Sie bei täglichem Gebrauch um eine ausreichende Ladung des Akkus, um eine optimale Akkuleistung zu erhalten. Schalten Sie den Roboter bei längerem Nichtgebrauch aus und verstauen Sie ihn. Laden Sie den Roboter mindestens einmal alle drei Monate auf, um Schäden durch Überentladung zu vermeiden.

Problem	Lösung
Der Roboter lässt sich nicht einschalten.	Der Akku ist schwach. Laden Sie den Roboter an der Ladestation auf und versuchen Sie es dann erneut. Die Temperatur des Akkus ist zu niedrig oder zu hoch. Die empfohlene Betriebstemperatur des Geräts liegt zwischen 0 °C (32°F) und 40 °C (104°F).
Der Roboter lädt sich nicht auf.	Die Basisstation ist nicht an die Stromversorgung angeschlossen. Bitte stellen Sie sicher, dass beide Enden des Netzkabels korrekt angeschlossen sind. Der Kontakt zwischen den Ladekontakten an der Basisstation und dem Roboter ist schlecht, bitte reinigen Sie die Ladekontakte. Überprüfen Sie, ob sich am Anschluss des Roboters ein Fremdbjekt befindet, und entfernen Sie gegebenenfalls das Fremdbjekt.
Der Roboter kann keine Verbindung zum WLAN herstellen.	Das Passwort für das WLAN-Netzwerk ist falsch. Überprüfen Sie, ob das Passwort für die Verbindung mit Ihrem WLAN-Netzwerk korrekt ist. Der Roboter unterstützt keine 5 GHz-WLAN-Verbindung. Stellen Sie sicher, dass der Roboter mit einer 2,4-GHz-WLAN-Verbindung verbunden ist. Das WLAN-Signal ist schwach. Stellen Sie sicher, dass sich der Roboter in einem Gebiet mit guter WLAN-Abdeckung befindet. Der Roboter ist möglicherweise nicht für die Konfiguration bereit. Beenden Sie die App, starten Sie diese erneut, und versuchen Sie es dann noch einmal wie angewiesen.
Der Roboter findet nichts und kehrt zur Basisstation zurück.	Die Basisstation ist nicht an das Stromnetz angeschlossen oder wurde bewegt, während der Roboter nicht auf ihr steht. Bitte schließen Sie die Basisstation an das Stromnetz an oder stellen Sie den Roboter zum Aufladen auf die Basisstation. Es gibt zu viele Hindernisse um die Basisstation herum. Platzieren Sie die Basisstation in einen freistehenden Bereich. Wenn der Roboter bewegt wird, muss er sich möglicherweise neu positionieren, und er erstellt eine neue Karte, wenn die Neupositionierung fehlschlägt. Wenn der Roboter zu weit von der Basisstation entfernt ist, kann er möglicherweise nicht automatisch zurückkehren. In diesem Fall müssen Sie den Roboter manuell auf die Basisstation stellen. Wischen Sie den Signalisierungsbereich an der Basisstation ab, um Staub oder Schmutz zu entfernen.

Problem	Lösung
Der Roboter bleibt vor der Basisstation stecken und kann nicht zu ihr zurückkehren.	Entfernen Sie alle Hindernisse innerhalb von 5 cm auf der linken und rechten Seite oder innerhalb von 1,5 m vor der Basisstation, um eine Blockierung des Roboters zu vermeiden. Der Weg für die Rückkehr zum Aufladen ist blockiert, z. B. die Tür ist geschlossen. Der Roboter kann wegrutschen, wenn der Boden vor der Basisstation übermäßig nass ist. Wenn dies der Fall ist, entfernen Sie zunächst das überschüssige Wasser, bevor Sie es erneut versuchen. Es wird empfohlen, die Basisstation an einen anderen Ort zu stellen und es erneut zu versuchen. Vergewissern Sie sich, dass die Rampenverlängerungsplatte richtig installiert ist.
Der Roboter lässt sich nicht ausschalten.	Der Roboter kann während des Ladevorgangs nicht ausgeschaltet werden. Zum Ausschalten des Roboters wird empfohlen, ihn von der Basisstation zu entfernen und die Taste  3 Sekunden lang gedrückt zu halten. Wenn sich der Roboter durch Ausführen von Schritt 1 nicht ausschalten lässt, halten Sie die Taste  10 Sekunden lang gedrückt, um ein Ausschalten des Roboters zu erzwingen. Wenn das Problem weiterhin besteht, wenden Sie sich bitte an den Kundendienst.
Die Aufladegeschwindigkeit ist langsam.	Es dauert etwa 3,5 Stunden, um den Roboter mit dem niedrigen Akkustand vollständig aufzuladen. Wenn Sie den Roboter bei Temperaturen außerhalb des angegebenen Bereichs betreiben, wird die Ladegeschwindigkeit automatisch verlangsamt, um die Lebensdauer des Akkus zu verlängern. Die Ladekontakte sowohl am Roboter als auch an der Basisstation können verschmutzt sein, bitte wischen Sie sie mit einem trockenen Tuch ab.
Die Geräusche nehmen zu, während der Roboter in Betrieb ist.	Prüfen Sie, ob der Staubbehälterfilter verstopft ist. Wenn ja, reinigen Sie ihn oder ersetzen Sie ihn. Ein harter Gegenstand könnte in der Hauptbürste oder im Staubbehälter eingeklemmt sein. Prüfen und entfernen Sie alle harten Gegenstände. Die Hauptbürste oder die Seitenbürste kann sich verheddern. Prüfen und entfernen Sie alle Fremdkörper. Schalten Sie den Saugmodus auf Standard oder Leise.
Der Roboter bewegt sich, ohne der festgelegten Route zu folgen.	Gegenstände wie Stromkabel und Hausschuhe sollten vor dem Einsatz des Roboters aufgeräumt werden. Beim Einsatz auf nassen, rutschigen Oberflächen rutscht das Hauptrad durch. Es wird empfohlen, die nassen Stellen vor dem Einsatz des Roboters zu trocknen. Wischen Sie den 3D-Linienlaser-Sensor am Roboter mit einem sauberen, weichen Tuch ab, damit er sauber und nicht verdeckt ist.

Problem	Lösung
Der Roboter kann die zu reinigenden Räume nicht erreichen.	Stellen Sie sicher, dass die Türen der zu reinigenden Räume offen sind. Prüfen Sie, ob die Türschwelle des Zimmers höher als ca. 2 cm ist. Der Roboter kann nicht über hohe Schwellen oder Stufen fahren. Der Boden vor dem zu reinigenden Zimmer kann nass und rutschig sein, so dass der Roboter wegrutscht und nicht ordnungsgemäß funktioniert. Trocknen Sie den Boden, bevor Sie den Roboter benutzen.
Der Roboter nimmt die Reinigung nach dem Laden nicht wieder auf.	Vergewissern Sie sich, dass der Roboter nicht auf den Nicht-Stören-Modus (DND) eingestellt ist, da er dann die Reinigung nicht fortsetzen kann. Der Roboter setzt die Reinigung nicht fort, nachdem Sie den Roboter manuell auf die Basisstation gestellt haben oder den Roboter über die App oder durch Drücken der Taste  zum Aufladen geschickt haben.
Die Station kann den Staubbehälter nicht automatisch leeren.	Prüfen Sie, ob der Staubbeutel im Staubbehälter voll ist. Wenn der Staubbeutel nicht voll ist, prüfen Sie, ob die automatisch entleerten Entlüftungsöffnungen des Roboters, der Basisstation oder des Staubbehälters verstopft sind. Falls ja, beseitigen Sie die Verstopfung rechtzeitig.
Der Wasserstand der Waschplatte ist nicht normal.	Überprüfen Sie, ob die Dichtung am Schmutzwasserbehälter lose oder nicht richtig installiert ist, und setzen Sie sie gegebenenfalls manuell zurück. Wenn das Problem weiterhin besteht, wenden Sie sich bitte an den Kundendienst. Drücken Sie vorsichtig auf Schmutzwasserbehälter, um sicherzustellen, dass er richtig installiert ist. Nehmen Sie die Waschplatte heraus und prüfen Sie, ob der Abwasserabfluss verstopft ist, und reinigen Sie ihn. Überprüfen Sie die Reinigungsflüssigkeit. Fügen Sie keine anderen Flüssigkeiten als die offiziell zugelassene Reinigungsflüssigkeit hinzu.
Der Wischpadhalter ist abnormal angehoben.	Bitte entfernen Sie den Wischpadhalter, prüfen Sie, ob sich ein Fremdkörper darin befindet, und starten Sie den Roboter neu. Wenn das Problem weiterhin besteht, wenden Sie sich bitte an den Kundendienst.
Unter dem Frischwasserbehälter oder um die Dichtung herum befindet sich Wasser.	Wenn Sie den Frischwasserbehälter herausnehmen, kann etwas Wasser in der Leitung unter dem Behälter oder um die Dichtung herum zurückbleiben. Die ist normal. Wischen Sie es bitte mit einem trockenen Tuch ab.

Bei weiteren Fragen wenden Sie sich bitte an <https://mova-tech.com>

**Roboter**

Modell	RLE51SE
Ladedauer	Ca. 3,5 Stunden
Nennspannung	14,4 V $\overline{=}$
Nennleistung	75 W
Betriebsfrequenz	2400 - 2483,5 MHz
Maximale Ausgangsleistung	< 20 dBm

**Basisstation**

Modell	RCEE0301
Nenningang	220-240 V ~ 50-60 Hz
Nennausgang	20 V $\overline{=}$ 2 A
Nennleistung (beim Staubentleeren)	700 W
Nennleistung (während der Reinigung)	40 W
Nennleistung (während des Ladens und Trocknens)	89 W

Unter normalen Einsatzbedingungen muss dieses Gerät in einem Abstand von mindestens 20 cm zwischen der Antenne und dem Körper des Benutzers gehalten werden.

**Hinweis:** Die Nennleistung (beim Lade- und Trocknungsvorgang) wird durch den Leistungswert während der Vollastperiode bestimmt.

Der eingebaute Lithium-Ionen-Akku enthält umweltgefährdende Stoffe. Lassen Sie den Akku vor der Entsorgung von qualifiziertem Fachpersonal ausbauen und entsorgen Sie ihn in einer geeigneten Recyclingeinrichtung.

- Der Akku muss vor der Entsorgung aus dem Gerät entfernt werden;
- Das Gerät muss beim Entfernen des Akkus vom Stromnetz getrennt werden;
- Der Akku muss sicher entsorgt werden.

**VORSICHT:**

Vor dem Entfernen des Akkus ist das Gerät vom Stromnetz zu trennen und der Akku so tief wie möglich zu entladen.

Nicht mehr benötigte Akkus sind in einer geeigneten Recyclingeinrichtung zu entsorgen.

Setzen Sie den Akku nicht hohen Temperaturen aus, um Explosionsgefahr zu vermeiden.

Unter unsachgemäßen Bedingungen kann Flüssigkeit aus dem Akku austreten. Bei Kontakt mit der Flüssigkeit spülen Sie die betroffene Stelle mit Wasser und suchen Sie einen Arzt auf.

**Anleitung zum Herausnehmen:**

1. Drehen Sie den Roboter um, entfernen Sie mit einem geeigneten Werkzeug die Schrauben auf der Rückseite des Roboters und nehmen Sie dann die Abdeckung ab.
2. Lösen Sie die Klemmen zwischen dem Akku und der Leiterplatte, um den Akku zu entfernen.

**WEEE-Informationen**



Für alle mit diesem Symbol gekennzeichneten Produkte gelten die Regelungen der Richtlinie 2012/19/EU über Elektro- und Elektronik-Altgeräte (WEEE), die nicht in den unsortierten Hausmüll gelangen dürfen. Zum Schutz der menschlichen Gesundheit und der Umwelt sollten Sie daher Ihre Altgeräte bei einer von der Regierung oder den lokalen Behörden eingerichteten Sammelstelle für das Recycling von Elektro- und Elektronik-Altgeräten abgeben. Eine ordnungsgemäße Entsorgung und Wiederverwertung trägt dazu bei, mögliche negative Folgen für die Umwelt und die menschliche Gesundheit zu vermeiden. Bitte wenden Sie sich an den Installateur oder die lokalen Behörden, um weitere Informationen über den Standort sowie die Bedingungen und Voraussetzungen für solche Sammelstellen zu erhalten.

**Entsorgung von Elektro- und Elektronikgeräten**



Die durchgestrichene Mülltonne bedeutet, dass Sie gesetzlich verpflichtet sind, diese Geräte einer vom unsortierten Siedlungsabfall getrennten Erfassung zuzuführen. Die Entsorgung über die Restmülltonne oder die gelbe Tonne ist untersagt. Enthalten die Produkte Batterien oder Akkus, die nicht fest verbaut sind, müssen diese vor der Entsorgung entnommen und getrennt als Batterie entsorgt werden.

**Möglichkeiten der Rückgabe von Altgeräten**

Besitzer von Altgeräten können diese im Rahmen der durch öffentlich-rechtlichen Entsorgungsträger eingerichteten und zur Verfügung stehenden Möglichkeiten für die Rückgabe oder Sammlung von Altgeräten abgeben, damit eine ordnungsgemäße Entsorgung der Altgeräte sichergestellt ist. Unter dem folgenden Link können Sie ein Onlineverzeichnis der Sammel- und Rücknahmestellen ansehen: <https://www.ear-system.de/ear-verzeichnis/sammel-und-ruecknahmestellen>

**Datenschutz**

Wir weisen alle Endnutzer von Elektro- und Elektronikaltgeräten darauf hin, dass Sie für das Löschen personenbezogener Daten auf den zu entsorgenden Altgeräten selbst verantwortlich sind.

## Informations sur la sécurité

Pour éviter tout risque d'électrocution, de départ de feu ou de blessures lié à une utilisation non conforme de l'appareil, veuillez attentivement lire le mode d'emploi avant d'utiliser l'appareil et le conserver pour toute référence ultérieure.

### Restrictions d'utilisation

- Ce produit ne doit pas être utilisé par des enfants âgés de moins de 8 ans et des personnes ayant un handicap physique, sensoriel ou intellectuel, ou une connaissance ou une expérience limitée sans la surveillance d'un parent ou d'un tuteur pour assurer un fonctionnement en toute sécurité et éviter les risques. Les opérations de nettoyage et d'entretien ne doivent pas être effectuées par les enfants sans supervision.
- L'appareil ne doit être utilisé qu'avec le bloc d'alimentation fourni avec l'appareil.
- Cet appareil contient des batteries qui ne peuvent être remplacées que par des personnes qualifiées.
- Dégagez la surface à nettoyer. Les enfants ne doivent pas jouer avec l'appareil. Assurez-vous que les enfants et animaux de compagnie se tiennent à distance du robot en fonctionnement.
- Évitez d'installer, de charger ou d'utiliser l'appareil dans les salles de bains ou autour des piscines.
- Ce produit est conçu pour nettoyer le sol dans un environnement domestique uniquement. Ne l'utilisez pas à l'extérieur, sur des surfaces brutes, ou dans un milieu industriel ou commercial.
- Assurez-vous que l'appareil fonctionne correctement dans un environnement approprié. Sinon, n'utilisez pas l'appareil.
- Si le cordon d'alimentation est endommagé, il doit être remplacé par un assemblage ou cordon spécial disponible auprès du fabricant ou de son réparateur agréé.

## Informations sur la sécurité

### Restrictions d'utilisation

- N'utilisez pas le robot dans un espace suspendu au-dessus du sol sans barrière de protection.
- Ne renversez pas le robot. N'utilisez pas le couvercle LDS, le couvercle du robot ou le pare-chocs comme poignée pour tenir le robot.
- Utilisez le robot dans des environnements à une température ambiante supérieure à 0 °C et inférieure à 40 °C. Assurez-vous qu'il n'y a pas de liquide ou de substance collante sur le sol.
- Pour éviter tout risque de dommage ou blessure causés par un raclement, retirez tous les objets mobiles du sol, ainsi que les câbles ou cordons d'alimentation sur l'itinéraire de nettoyage avant de faire fonctionner l'appareil.
- Retirez les objets fragiles ou de petite taille présents sur le sol pour empêcher le robot de les heurter ou de les endommager.
- Tenez les cheveux, les doigts et toute autre partie du corps éloignés de l'orifice d'aspiration du robot.
- Gardez l'outil de nettoyage hors de la portée des enfants.
- N'utilisez pas l'appareil dans une pièce où un nourrisson ou un enfant dort.
- Ne placez pas un enfant, un animal domestique ou tout objet sur le robot, qu'il soit en marche ou à l'arrêt.
- Vous pouvez uniquement verser de l'eau propre et la solution de nettoyage agréée dans le réservoir d'eau propre. N'ajoutez pas un autre liquide tel que de l'alcool ou un désinfectant. Le rapport entre la solution de nettoyage et l'eau propre figure sur le flacon de solution de nettoyage. Gardez la solution de nettoyage hors de la portée des enfants.

## Informations sur la sécurité

### Restrictions d'utilisation

- N'utilisez pas le robot pour nettoyer des objets qui brûlent. N'utilisez pas le robot pour ramasser des liquides combustibles ou inflammables, des gaz corrosifs ou des acides ou des solvants non dilués.
- N'aspirez pas d'objets durs ou tranchants. N'utilisez pas l'appareil pour ramasser des objets tels que des cailloux, des gros morceaux de papier ou tout objet susceptible d'obstruer l'appareil.
- La fiche doit être débranchée de la prise avant de nettoyer ou d'entretenir l'appareil.
- N'essuyez pas le robot ou la station de base avec un chiffon humide et ne rincez pas avec un liquide. Après le nettoyage des pièces lavables, séchez-les complètement avant de les réinstaller et de les utiliser.
- Veuillez utiliser ce produit conformément aux instructions présentes dans le monde d'emploi. Les utilisateurs sont responsables de toute perte ou de tout dommage occasionné par une utilisation non conforme de ce produit.

### Batteries et recharge

- N'utilisez pas de batterie ou de station de base tierce. Le robot ne peut être utilisé qu'avec la station de base RCEE0301.
- N'essayez pas de démonter, de réparer ou de modifier la batterie ou la station de base vous-même.
- Ne placez pas la station de base à proximité d'une source de chaleur.
- N'utilisez pas un chiffon mouillé ou et ne manipulez pas l'appareil les mains humides pour essuyer ou nettoyer les contacts de charge de la station de base.
- N'éliminez pas les batteries usagées de manière inappropriée. Les batteries usagées doivent être déposées dans un centre de collecte approprié.

## Informations sur la sécurité

### Batteries et recharge

- Si le cordon d'alimentation est endommagé ou coupé, arrêtez de l'utiliser immédiatement et contactez le service après-vente.
- Assurez-vous que le robot est éteint lorsque vous le transportez et rangez-le dans son emballage d'origine si possible.
- Si le robot n'est pas utilisé pendant une longue période, chargez-le complètement, puis éteignez-le et rangez-le dans un endroit sec et frais. Rechargez le robot au moins tous les 3 mois pour ne pas trop décharger la batterie.

### Informations de sécurité sur le laser

- Le capteur laser de ce produit répond à la norme IEC 60825-1:2014/EN 60825-1:2014/A11:2021 des appareils à laser de classe 1. Veuillez éviter de regarder directement le laser pendant l'utilisation.

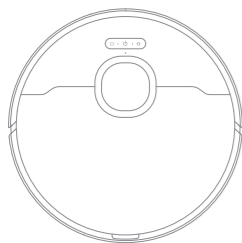
APPAREIL À LASER DE CLASSE 1

APPAREIL À LASER DESTINÉ AU GRAND PUBLIC

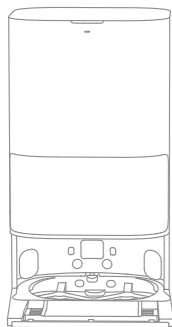
EN 50689:2021

Par le présent document, Dreame Trading (Tianjin) Co., Ltd. déclare que le modèle d'équipement radio RLE515E répond à la directive 2014/53/UE. L'intégralité du texte de la déclaration UE de conformité est disponible à l'adresse Internet suivante : <https://mova-tech.com>  
Pour consulter le mode d'emploi en ligne, veuillez accéder à <https://www.mova-tech.com/pages/user-manuals-and-faqs>

## Contenu de l'emballage



Robot

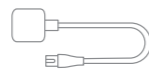


Station de base

## Autres accessoires



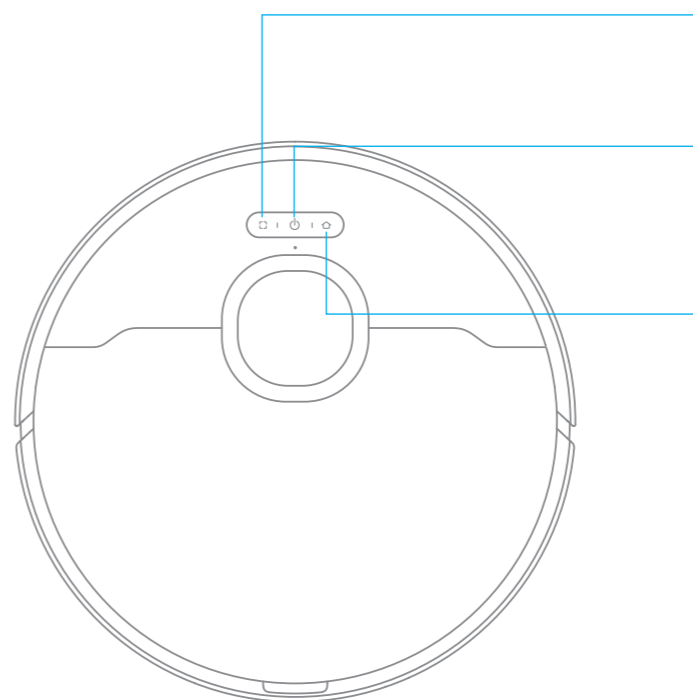
Brosse latérale

Cordon  
d'alimentation

Mode d'emploi

Plaque d'extension de rampe  
de la station de baseSerpillière × 2  
(préinstallées)Support de  
serpillière × 2Sac à poussière  
(préinstallé)

## Robot



- Bouton de nettoyage localisé**
  - Appuyez pour démarrer le nettoyage localisé

- Bouton d'alimentation/nettoyage**
  - Appuyez et maintenez enfoncé pendant 3 secondes pour allumer ou éteindre
  - Appuyez pour commencer le nettoyage une fois le robot allumé

- Bouton de station d'accueil**
  - Appuyez pour renvoyer le robot à la station de base
  - Appuyez et maintenez enfoncé pendant 3 secondes pour désactiver le Verrouillage enfants

**Indicateur d'état**

- Blanc fixe : Nettoyage ou lavage terminé
- Clignote lentement en blanc : En charge (pas de batterie faible)
- Orange fixe : En veille avec batterie faible ou en pause avec batterie faible
- Clignote lentement en orange : En charge (batterie faible)
- Orange clignotant : Erreur

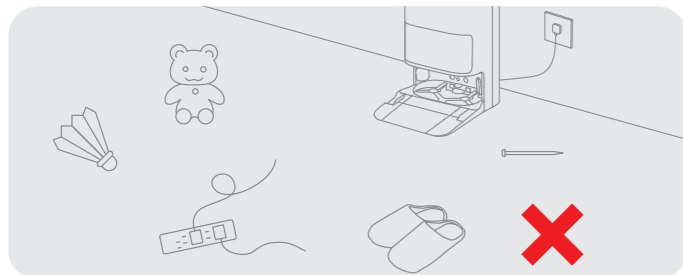
**Remarque :**

- Appuyez sur n'importe quel bouton du robot pour faire une pause pendant que le robot nettoie ou revient pour se charger.
- Le Verrouillage enfants peut être activé et désactivé avec l'application.

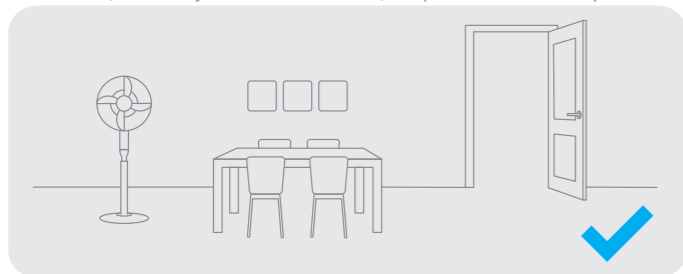




## Préparer son intérieur



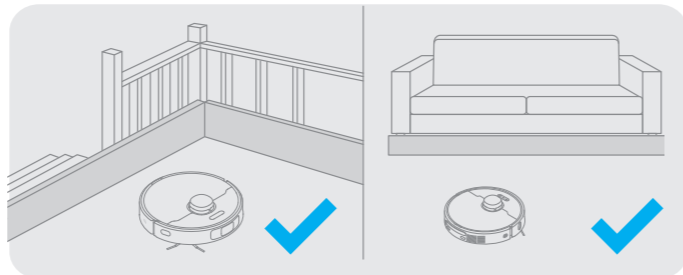
Avant de procéder au nettoyage, éloignez les objets instables, fragiles, précieux ou dangereux, et ramassez les câbles, les chiffons, les jouets, les objets durs et pointus qui se trouvent sur le sol, afin d'éviter que le robot ne les emmêle, ne les raye ou ne les renverse, ce qui entraînerait des pertes.



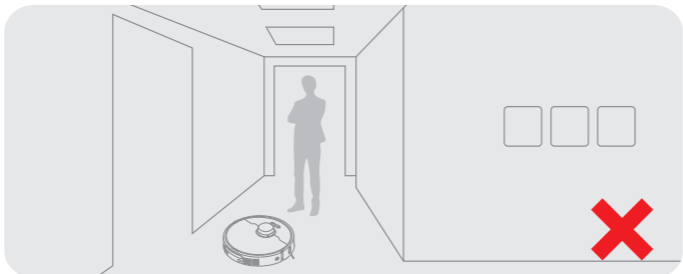
Ouvrez la porte de la pièce à nettoyer et placez les meubles dans un espace approprié pour laisser plus d'espace.

### Remarque :

- À la première utilisation du robot, suivez-le pendant qu'il nettoie afin de retirer tout obstacle éventuel à temps.
- N'aspirez pas des objets durs tels que des cailloux, des boules en acier et des pièces de jouet, ou des objets tranchants tels que des déchets de construction, du verre brisé et des clous, sinon cela peut rayer le sol.



Avant le nettoyage, placez une barrière physique au bord de l'escalier et du canapé pour assurer la sécurité et faciliter le fonctionnement du robot.

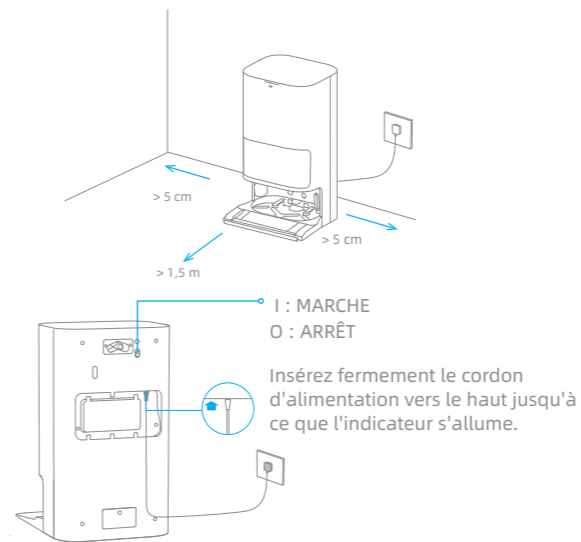


Pour permettre au robot de bien identifier les zones qui doivent être nettoyées, ne restez pas devant le robot, un seuil, un couloir ou des endroits étroits.

## Avant l'utilisation

### 1. Placer la station de base et la brancher sur une prise électrique

Placez la station de base dans un endroit le plus dégagé possible et disposant d'un signal Wi-Fi satisfaisant. Retirez tous les objets situés à moins de 1,5 m devant et à moins de 5 cm de chaque côté de la station de base. Insérez le cordon d'alimentation dans la station de base et branchez-le sur la prise.



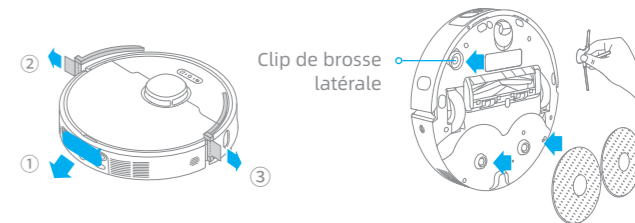
### Remarque :

- Assurez-vous qu'aucun objet ne bloque la zone d'émission du signal.
- Pour éviter que l'eau ne mouille les parquets ou les tapis, il est recommandé d'installer la station de base sur des sols en carrelage ou en marbre.

### 2. Installer la plaque d'extension de rampe




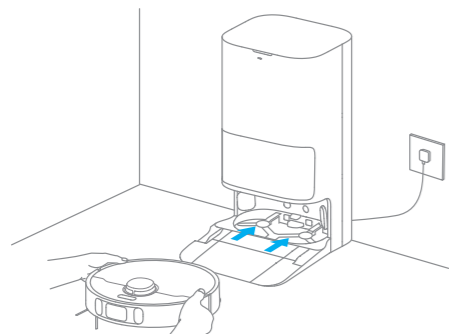
### 3. Retirer les protections du robot et installer la brosse latérale et l'unité de serpillière



## Avant l'utilisation

### 4. Connecter le robot à la station de base

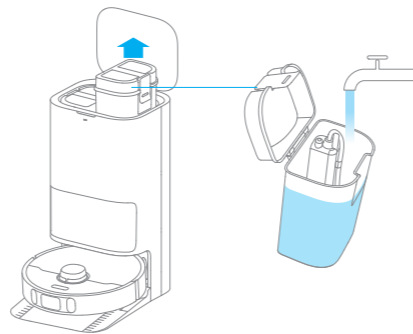
Maintenez le bouton  du robot enfoncé pendant 3 secondes pour l'allumer. Placez le robot sur la station de base avec l'unité de serpillière orientée vers la planche à laver. Une notification vocale est émise lorsque le robot est bien connecté à la station de base.



**Remarque :** Il est conseillé de charger complètement le robot avant la première utilisation. Quand le robot ne peut pas être activé lorsque la batterie est déchargée, connectez manuellement le robot à la station pour le recharger.

### 5. Verser l'eau dans le réservoir d'eau propre

Retirez le réservoir d'eau propre de la station de base et remplissez-le d'eau propre. Puis remettez-le en place dans la station de base.

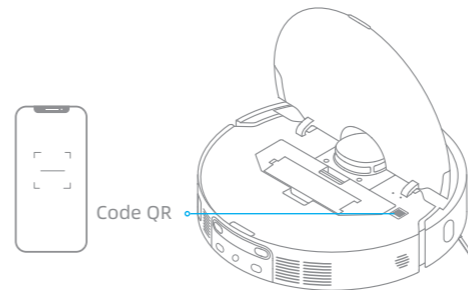


**Remarque :** Ne versez pas d'eau chaude dans le réservoir d'eau car cela peut le déformer.

## Connexion à l'application

### 1. Télécharger l'application

Scannez le code QR sur le robot pour télécharger et installer l'application.



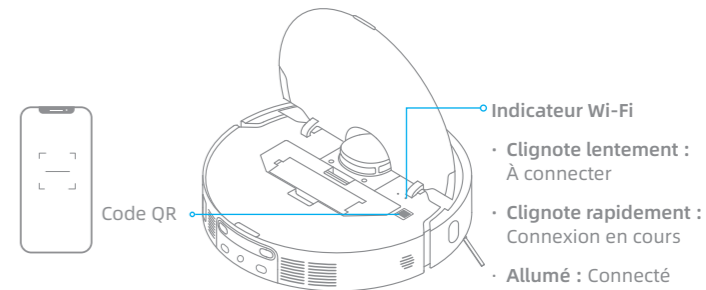
#### Remarque :

- Seul le réseau Wi-Fi 2,4 GHz est reconnu.
- Le logiciel d'application étant soumis à des mises à jour, les opérations réelles peuvent donc différer des instructions de ce manuel. Veuillez suivre les instructions selon la version actuelle de l'application.

### 2. Ajouter un appareil



Ouvrez l'application, appuyez sur « Scannez le code QR pour vous connecter » et scannez le même code QR sur le robot encore une fois pour ajouter l'appareil. Suivez les messages d'instructions pour terminer la connexion Wi-Fi.

**Remarque :** Si vous souhaitez réinitialiser le Wi-Fi, répétez l'étape 2, puis suivez les instructions pour terminer la connexion Wi-Fi.



## Conseils d'utilisation

### Allumer/Éteindre

Maintenez le bouton  enfoncé pendant 3 secondes pour allumer le robot. L'indicateur d'alimentation doit être allumé. Placez le robot sur la station de base, puis le robot doit s'allumer automatiquement et commencer à charger. Pour éteindre le robot, retirez-le de la station de base et maintenez le bouton  enfoncé pendant 3 secondes.

### Cartographie rapide

Après avoir configuré le réseau pour la première fois, suivez les instructions de l'application pour créer rapidement une carte. Le robot commencera à cartographier sans nettoyage. Lorsque le robot retourne à la station de base, le processus de cartographie est terminé et la carte sera automatiquement enregistrée.

### Pause/Veille

Lorsque le robot fonctionne, appuyez sur n'importe quel bouton pour le mettre en pause. Si le robot est mis en pause pendant plus de 10 minutes, il passe automatiquement en mode veille. Tous les indicateurs sur le robot s'éteindront. Appuyez sur n'importe quel bouton du robot, ou utilisez l'application pour réactiver le robot.

**Remarque :** Si le robot est mis en pause et placé sur la station de recharge, la tâche de nettoyage en cours se terminera.

### Reprise automatique du nettoyage

Si la batterie est trop faible, le robot retournera automatiquement à la station de base pour se recharger. Après avoir rechargé la batterie au niveau approprié, il reprendra les tâches de nettoyage inachevées.

**Remarque :** Pour utiliser cette fonction, veuillez l'activer dans l'application.


### Mode Ne pas déranger (DND)

Lorsque le robot est réglé sur le mode Ne pas déranger (DND), il lui sera impossible de reprendre le nettoyage, et l'indicateur d'alimentation s'éteint. Le mode DND est désactivé par défaut à l'usine. Vous pouvez utiliser l'application pour activer le mode DND ou modifier la période DND. La période DND s'étend de 22:00 à 8:00 par défaut.

**Remarque :**

- Les tâches de nettoyage planifiées seront effectuées comme d'habitude pendant la période DND.
- Le robot reprendra le nettoyage là où il s'est arrêté à la fin de la période DND.

### Nettoyage de zone délimitée

Lorsque le robot est en veille, appuyez brièvement sur le bouton  pour activer le mode de nettoyage localisé. Dans ce mode, le robot nettoie une surface carrée de 1,5 x 1,5 mètres autour de lui, et retourne à son point de départ à la fin du nettoyage localisé.

### Redémarrage du robot


Si le robot ne répond plus ou ne peut pas s'éteindre, maintenez le bouton  enfoncé pendant 10 secondes pour l'arrêter de force. Puis maintenez le bouton  enfoncé pendant 3 secondes pour allumer le robot.

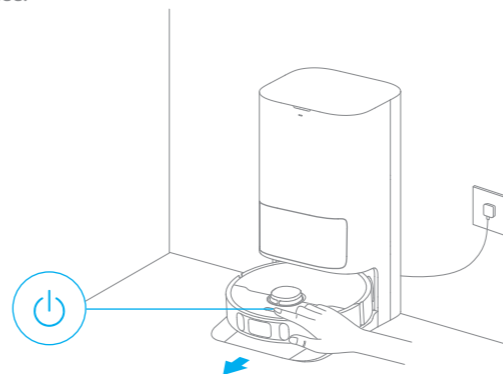
## Conseils d'utilisation

### Aspiration et nettoyage

**Remarque :** Lors de la première utilisation de l'unité de serpillière, le robot effectue la tâche « Aspiration et nettoyage » par défaut.

#### 1. Commencer le nettoyage

Appuyez sur le bouton  du robot, ou utilisez l'application pour que le robot démarre à partir de la station de base. Ensuite, le robot planifiera l'itinéraire de nettoyage optimal et effectuera la tâche de nettoyage en fonction de la carte créée.

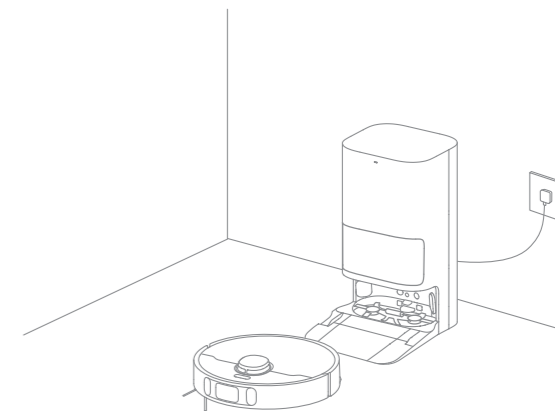


**Remarque :**

- Pour s'assurer que le robot retourne facilement à la station de base après le nettoyage, il est recommandé de faire démarrer le robot à partir de la station de base.
- Les serpillières seront nettoyées avant que le robot ne commence à nettoyer, veuillez patienter.
- Ne déplacez pas la station de base, le réservoir d'eau propre, le réservoir d'eau sale ou la planche à laver pendant toute utilisation.

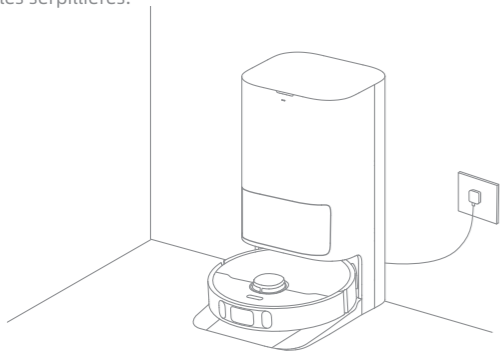
#### 2. Lavage automatique des serpillières

Lors du nettoyage, le robot retournera automatiquement à la station de base pour laver les serpillières en fonction de la fréquence de nettoyage spécifiée des serpillières dans l'application.



**3. Vider automatiquement la compartiment à poussière, puis laver et sécher les serpillières**

Une fois que le robot a terminé une tâche de nettoyage et retourne à la station de base pour se recharger, la station de base commencera automatiquement à vider le compartiment à poussière. Ensuite, elle lavera et séchera les serpillières.

**Remarque :**

- Si la fonction de vidage automatique est désactivée dans l'application, la station de base ne videra pas automatiquement le compartiment à poussière.
- La station de base videra le compartiment à poussière en fonction du réglage défini dans l'application.

**4. Nettoyer le réservoir d'eau sale**

Une fois que le robot a terminé sa tâche, veuillez nettoyer le réservoir d'eau sale pour éviter toute odeur.

**Nettoyage après l'aspiration**

Activez la fonction de nettoyage après l'aspiration dans l'application, et le robot lèvera automatiquement l'unité de serpillière pour aspirer le sol. Après avoir aspiré, le robot retourne pour vider le compartiment à poussière, puis commence à passer la serpillière après avoir automatiquement baissé l'unité de serpillière.

**Aspiration uniquement**

Activez la fonction d'aspiration dans l'application, et le robot lèvera automatiquement l'unité de serpillière et commencera à aspirer.

**Nettoyage uniquement**

Activez la fonction de nettoyage dans l'application, et le robot vérifiera si l'unité de serpillière est installée. Dans le cas contraire, installez l'ensemble de la serpillière manuellement, puis le robot commencera automatiquement à passer la serpillière.

**Entretien de routine****Pièces**

Pour maintenir le robot en bon état, il est recommandé de se référer à l'utilisation des accessoires dans l'application ou au tableau suivant pour l'entretien de routine.

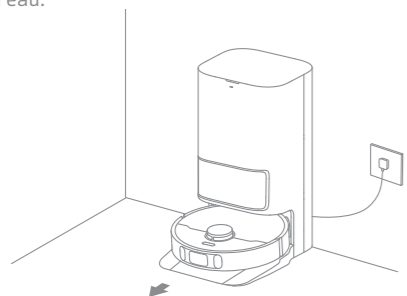
Pièce	Fréquence d'entretien	Période de remplacement
Réservoir d'eau sale	Après chaque utilisation	/
Réservoir d'eau propre	Une fois toutes les 2 semaines	Tous les 6 à 12 mois
Brosse principale		Tous les 3 à 6 mois
Filtre du compartiment à poussière		/
Brosse latérale		/
Support de serpillière	Une fois par mois	/
Planche à laver		/
Zone de signalisation de la station de base		/
Contacts de charge		/
Événements de vidage automatique		/
Roue omnidirectionnelle		/
Capteur de bord		/
Capteur de distance laser (LDS)		/
Capteur laser linéaire 3D	/	/

Pièce	Fréquence d'entretien	Période de remplacement
Capteur de tapis	Une fois par mois	/
Capteurs de vide		
Pare-chocs		
Dessous du robot		
Compartiment à poussière	Nettoyez au besoin.	/
Sac à poussière	/	Tous les 2 à 4 mois
Serpillière	/	Tous les 1 à 3 mois

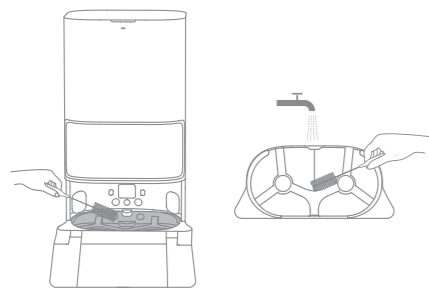
**Remarque :** La fréquence de remplacement dépendra de votre utilisation du robot. Si une exception se produit en raison de circonstances particulières, les pièces doivent être remplacées.

## Base de la planche à laver

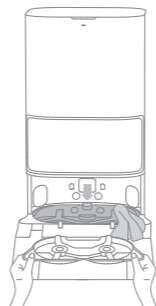
1. Activez la fonction de nettoyage de la base de la planche à laver dans l'application, et le robot quittera automatiquement la station de base. Retirez la planche à laver et attendez que le fond de la station de base se remplisse d'eau.




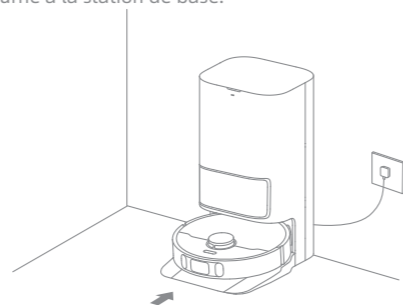
2. Rincez la planche à laver avec de l'eau propre, et utilisez un outil de nettoyage adapté pour nettoyer le fond de la station de base.



3. Après quelques instants, la station de base évacuera automatiquement l'eau sale. Puis séchez-la avec un chiffon doux et sec, et remettez la planche à laver en place.



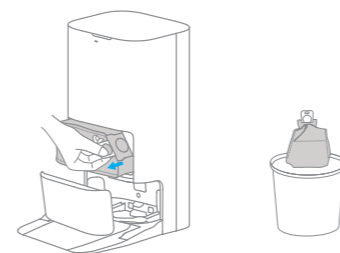
4. Utilisez l'application ou appuyez brièvement sur le bouton  du robot pour qu'il retourne à la station de base.



**Remarque :** Pendant le nettoyage, le robot ne doit pas retourner à la station de base.

## Sac à poussière

1. Retirez le couvercle du réservoir à poussière et jetez le sac à poussière.

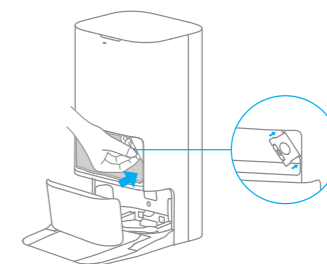


**Remarque :** Tirez vers le haut sur la poignée pour verrouiller le sac et empêcher la poussière et les débris de tomber accidentellement.

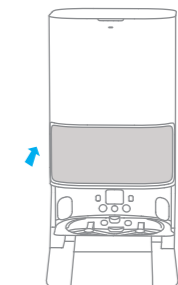
2. Retirez la poussière et les débris du filtre avec un chiffon sec.



3. Installez un nouveau sac à poussière.



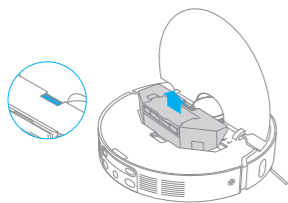
4. Réinstallez le couvercle du réservoir à poussière.



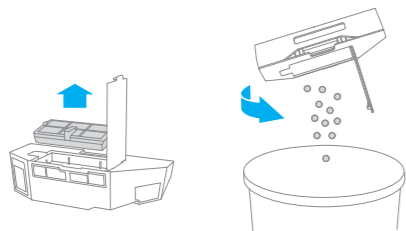
## Entretien de routine

### Filtre et compartiment à poussière

1. Ouvrez le couvercle du robot et appuyez sur la fixation de compartiment à poussière pour retirer le compartiment à poussière.



2. Ouvrez le couvercle du compartiment à poussière, retirez le filtre, puis videz le compartiment à poussière comme illustré sur le schéma.

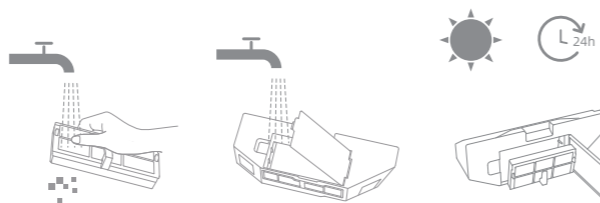


3. Tapotez doucement le panier du filtre pour enlever la saleté.



**Remarque :** N'essayez pas de nettoyer le filtre avec une brosse, les doigts ou des objets pointus pour éviter de l'endommager.

4. Rincez le compartiment à poussière et le filtre à l'eau et séchez-les complètement avant de les réinstaller.



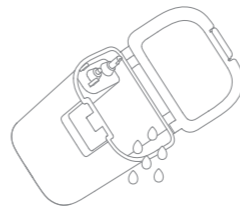
**Remarque :**

- Rincez le compartiment à poussière et le filtre uniquement à l'eau claire. N'utilisez aucun détergent.
- Utilisez le compartiment à poussière et le filtre uniquement lorsqu'ils sont complètement secs.

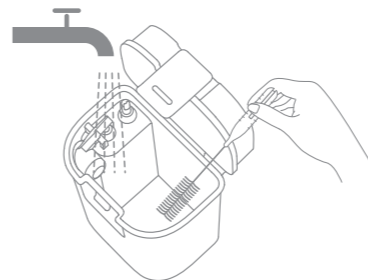
## Entretien de routine

### Réservoir d'eau sale

1. Retirez le réservoir d'eau sale, enlevez son couvercle et évacuez l'eau sale.



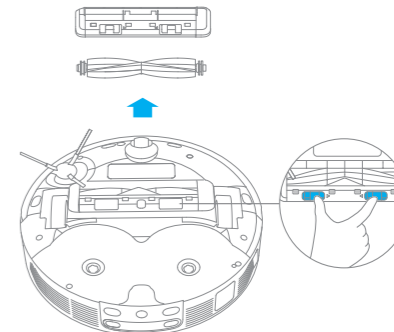
2. Rincez le réservoir d'eau sale à l'eau claire et utilisez un outil de nettoyage adapté pour nettoyer la paroi intérieure du réservoir d'eau sale.



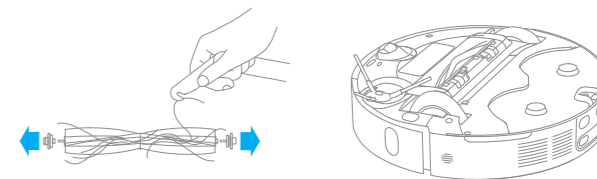
**Remarque :** La boule flottante dans le réservoir d'eau sale est une pièce mobile. N'appliquez pas une force excessive lorsque vous la nettoyez pour ne pas l'endommager.

### Brosse principale

1. Appuyez sur les clips de protection de brosse pour retirer la protection de brosse et soulevez la brosse hors du robot.



2. Retirez les couvercles de brosse aux deux extrémités de la brosse comme illustré sur la figure. Utilisez un outil de nettoyage approprié pour éliminer les poils emmêlés dans la brosse. Réinstallez les couvercles de brosse aux deux extrémités de la brosse, puis réinstallez la brosse. Poussez sur la protection de brosse pour la verrouiller en place.



## Entretien de routine

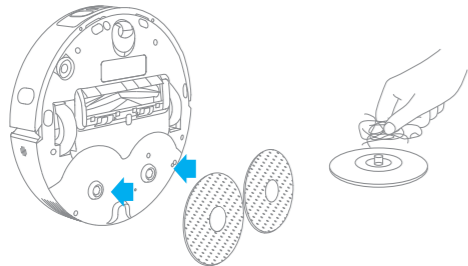
### Brosse latérale

Retirez et nettoyez la brosse latérale.

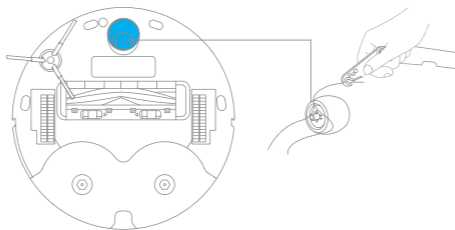


### Support de serpillière

Retirez et nettoyez le support de serpillière.



### Roue omnidirectionnelle



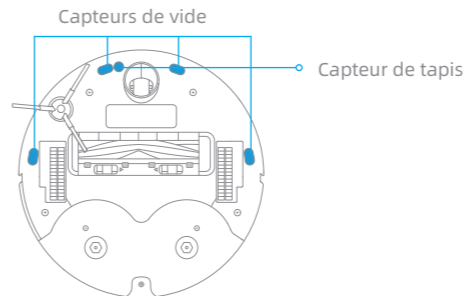
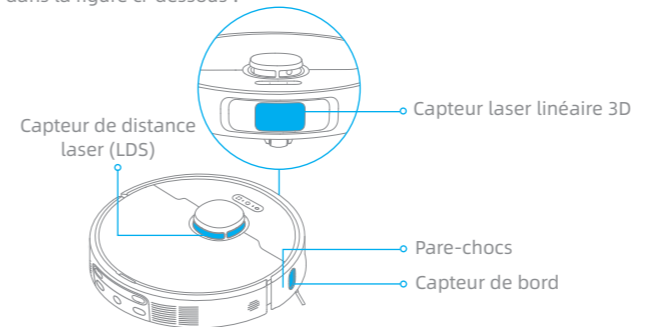
#### Remarque :

- Utilisez un outil tel qu'un petit tournevis pour séparer l'essieu et le pneu de la roue omnidirectionnelle. N'utilisez pas une force excessive.
- Rincez la roue omnidirectionnelle sous l'eau courante et remettez-la après l'avoir complètement séchée.

## Entretien de routine

### Capteurs de robot

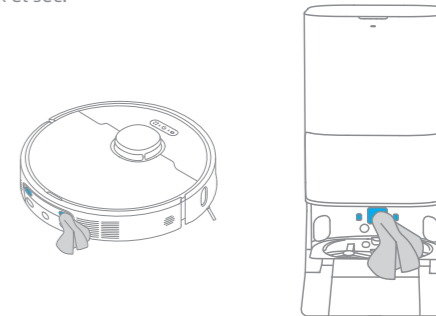
Essuyez les capteurs de robot à l'aide d'un chiffon doux et sec, comme illustré dans la figure ci-dessous :



**Remarque :** Un chiffon humide peut endommager les éléments sensibles dans le robot et la station de base. Veuillez utiliser un chiffon sec pour le nettoyage.

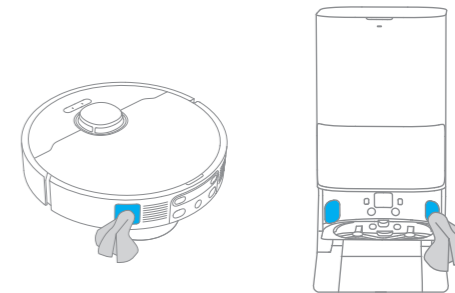
### Contact de charge et zone de signalisation

Nettoyez les contacts de charge et la zone d'émission du signal avec un chiffon doux et sec.



### Événements de vidage automatique

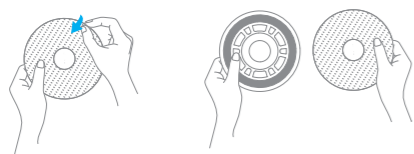
Nettoyez les événements de vidage automatique du robot et de la station de base à l'aide d'un chiffon doux et sec.



## Entretien de routine

### Serpillère

Retirez la serpillère du support pour la remplacer.





### Batterie


Le robot contient une batterie lithium-ion haute performance. Assurez-vous que la batterie reste bien chargée pour une utilisation quotidienne afin de maintenir les performances optimales de la batterie. Si le robot n'est pas utilisé pendant une longue période, éteignez-le et rangez-le. Pour éviter tout risque de dommages lié à une décharge excessive, rechargez le robot au moins une fois tous les trois mois.

## Dépannage

Problème	Solution
Le robot ne s'allume pas.	La batterie est faible. Rechargez la batterie sur la base et réessayez. La température de la batterie est trop basse ou trop élevée. Il est recommandé d'utiliser l'appareil à une température comprise entre 0 °C (32 °F) et 40 °C (104 °F).
Le robot ne se recharge pas.	La station de base n'est pas connectée à l'alimentation, veuillez vous assurer que les deux extrémités de son cordon d'alimentation sont correctement branchées. Le contact entre les contacts de charge sur la station de base et le robot est défaillant, veuillez nettoyer les contacts de charge. Vérifiez la présence d'objet étranger au niveau du connecteur du robot et retirez-le le cas échéant.
Le robot ne se connecte pas au réseau Wi-Fi.	Le mot de passe du réseau Wi-Fi n'est pas correct. Assurez-vous que le mot de passe utilisé pour vous connecter à votre réseau Wi-Fi est correct. Le robot ne prend pas en charge la connexion Wi-Fi 5 GHz. Assurez-vous que le robot est relié à une connexion Wi-Fi 2,4 GHz. Le signal Wi-Fi est faible. Assurez-vous que le robot se trouve dans une zone avec une bonne couverture Wi-Fi. Le robot peut ne pas être prêt à être configuré. Veuillez quitter et rouvrir l'application, puis essayez à nouveau comme indiqué.
Le robot ne peut pas trouver la station de base et y retourner.	La station de base est déconnectée de l'alimentation ou déplacée lorsque le robot n'est pas dessus. Veuillez connecter la station de base à l'alimentation électrique ou placer le robot sur la station de base pour le charger. Il y a trop d'obstacles autour de la station de base. Placez la station de base dans une zone plus dégagée. Tout déplacement du robot peut entraîner son repositionnement : il recréera alors une carte s'il n'est pas correctement repositionné. Si le robot est trop éloigné de la station de base, il peut ne pas revenir automatiquement à la station de lui-même, auquel cas vous devrez manuellement placer le robot sur la station de base. Essayez la zone d'émission du signal sur la station de base pour éliminer la poussière ou les débris.
Le robot reste bloqué devant la station de base et ne peut pas retourner vers elle.	Dégagez tout obstacle à moins de 5 cm sur les côtés gauche et droit ou à moins de 1,5 m devant la station de base pour éviter que le robot ne soit bloqué. L'itinéraire pour revenir se recharger est bloqué, par ex. la porte est fermée. Le robot peut glisser si le sol devant la station de base est trop humide. Dans ce cas, nettoyez l'excès d'eau avant de réessayer. Il est recommandé de déplacer la station de base dans un autre endroit et réessayez. Assurez-vous que la plaque d'extension de rampe est correctement installée.



Problème	Solution
Le robot ne s'éteint pas.	Le robot ne peut pas être désactivé lorsqu'il se recharge. Il est recommandé de retirer le robot de la station de base, puis de maintenir le bouton  enfoncé pendant 3 secondes pour l'éteindre. Si le robot ne peut pas être éteint en effectuant l'étape 1, maintenez le bouton  enfoncé pendant 10 secondes pour forcer l'arrêt du robot. Si le problème persiste, contactez le service après-vente.
La vitesse de charge est lente.	La charge complète du robot, lorsque le niveau de la batterie est bas, dure environ 3,5 heures. Si vous utilisez le robot à des températures en dehors de la plage indiquée, la vitesse de charge ralentira automatiquement pour prolonger l'autonomie de la batterie. Les contacts de charge sur le robot et la base peuvent être sales, veuillez les essuyer avec un chiffon sec.
Le bruit augmente lors du fonctionnement du robot.	Vérifiez si le compartiment à poussière est bouché. Si c'est le cas, nettoyez-le ou remplacez-le. Un objet dur peut être coincé dans la brosse principale ou le compartiment à poussière. Vérifiez et retirez l'objet. La brosse principale ou la brosse latérale est peut-être bloquée. Vérifiez et retirez tous les objets étrangers. Passez le mode d'aspiration sur Standard ou Silencieux.
Le robot se déplace sans suivre l'itinéraire défini.	Les objets tels que cordons d'alimentation et pantoufles doivent être rangés avant d'utiliser le robot. Les surfaces mouillées et glissantes peuvent faire patiner la roue principale. Il est recommandé de sécher les endroits humides avant d'utiliser le robot. Essuyez le capteur laser linéaire 3D sur le robot avec un chiffon propre et doux pour le maintenir propre et dégagé.
Le robot n'a pas trouvé les pièces à nettoyer.	Assurez-vous que la porte de chaque pièce à nettoyer est ouverte. Vérifiez la présence de seuil d'une hauteur supérieure à 2 cm environ à l'entrée de la pièce. Le robot ne peut pas franchir des marches ou des seuils hauts. La zone devant la pièce à nettoyer est peut-être glissante et mouillée, et le robot glisse et ne fonctionne pas normalement. Séchez le sol avant d'utiliser le robot.

Problème	Solution
Le robot ne reprend pas le nettoyage après la recharge.	Assurez-vous que le robot n'est pas programmé sur le mode Ne pas déranger (DND), ce qui peut l'empêcher de reprendre le nettoyage. Le robot ne reprendra pas le nettoyage après l'avoir manuellement placé sur la station de base ou après l'avoir envoyé se charger via l'application ou le bouton  .
La station ne vide pas automatiquement le compartiment à poussière.	Vérifiez si le sac à poussière dans le compartiment à poussière est plein. Si le sac à poussière n'est pas plein, vérifiez si les événements de vidage automatique du robot, de la station de base ou du compartiment à poussière ne sont pas obstrués. Si c'est le cas, dégagez la pièce bloquée.
Le niveau d'eau dans la planche à laver est anormal.	Vérifiez si le joint sur le réservoir d'eau sale est desserré ou mal installé, et fixez-le à nouveau manuellement le cas échéant. Si le problème persiste, contactez l'équipe de service après-vente. Enfoncez légèrement le réservoir d'eau sale pour vous assurer qu'il est correctement installé. Retirez la planche à laver et vérifiez si la conduite des eaux usées est bouchée, et nettoyez-la. Vérifiez la solution de nettoyage. N'ajoutez pas de liquide autre que la solution de nettoyage approuvée.
Le support de la serpillière ne se soulève pas normalement.	Veuillez retirer le support de la serpillière pour vérifier la présence d'objet étranger coincé à l'intérieur, et essayer de redémarrer le robot. Si le problème persiste, contactez l'équipe de service après-vente.
De l'eau est présente sous le réservoir d'eau propre ou autour du joint d'étanchéité.	Lorsque vous retirez le réservoir d'eau propre, de l'eau contenue dans le tuyau peut être présente sous le réservoir ou autour du joint d'étanchéité. Cela est normal. Veuillez essuyer à l'aide d'un chiffon sec.

Pour plus d'assistance, contactez-nous via <https://mova-tech.com>

## Robot

Modèle	RLE51SE
Temps de charge	Environ 3,5 h
Tension nominale	14,4 V ---
Puissance nominale	75 W
Fréquence de fonctionnement	2 400-2 483,5 MHz
Puissance de sortie maximale	< 20 dBm



FR  
Cet appareil, ses accessoires, piles et cordons se recyclent

REPRISE À LA LIVRAISON OU À DÉPOSER EN MAGASIN OU À DÉPOSER EN DÉCHÈTERIE

Points de collecte sur [www.quefairedemesdechets.fr](http://www.quefairedemesdechets.fr)  
Privilégiez la réparation ou le don de votre appareil !

## Station de base

Modèle	RCEE0301
Entrée nominale	220-240 V~ 50-60 Hz
Sortie nominale	20 V --- 2 A
Puissance nominale (pendant le vidage de la poussière)	700 W
Puissance nominale (pendant le nettoyage)	40 W
Puissance nominale (pendant la charge et le séchage)	89 W

Dans des conditions normales d'utilisation, cet équipement doit être maintenu à une distance de séparation d'au moins 20 cm entre l'antenne et le corps de l'utilisateur.

**Remarque :** La puissance nominale (pendant la charge et le séchage) est déterminée par la valeur de puissance pendant la période de pleine charge.

## Retrait et élimination de la batterie

La batterie lithium-ion intégrée contient des substances dangereuses pour l'environnement. Avant d'éliminer la batterie, assurez-vous qu'elle est enlevée par un technicien qualifié et déposée dans un centre de recyclage approprié.

- la batterie doit être retirée de l'appareil avant qu'il ne soit mis au rebut ;
- l'appareil doit être débranché de la prise secteur pour le retrait de la batterie ;
- la batterie doit être éliminée de manière sûre.

## ATTENTION :

Avant d'enlever la batterie, débranchez l'alimentation et déchargez au maximum la batterie.

Les batteries usagées doivent être déposées dans un centre de collecte approprié.

N'exposez pas la batterie dans un environnement à haute température pour éviter les risques d'explosion.

En cas d'usage abusif, du liquide peut s'échapper de la batterie. En cas de contact, rincez à l'eau et consultez un médecin.

## Guide pour le retrait :

1. Retournez le robot, utilisez l'outil adapté pour retirer les vis à l'arrière du robot, puis enlevez le couvercle.
2. Débranchez les bornes entre la batterie et la carte de circuit imprimé pour retirer la batterie.

## Informations concernant les DEEE



Tous les produits portant ce symbole sont des déchets d'équipements électriques et électroniques (DEEE d'après la directive 2012/19/UE) qui ne doivent pas être mélangés avec les ordures ménagères non triées. Vous devez protéger la santé humaine et l'environnement en déposant votre équipement usagé dans un point de collecte prévu à cet effet pour le recyclage des déchets d'équipements électriques et électroniques, désigné par le gouvernement et les autorités locales. Des procédures d'élimination et de recyclage adéquates permettent d'éviter les effets nocifs sur l'environnement et la santé humaine. Veuillez contacter l'installateur ou les autorités locales pour plus d'informations sur le site, ainsi que les modalités et conditions des points de collecte de ce type.

Per evitare scosse elettriche, incendi o lesioni causate da un uso improprio dell'apparecchio, leggere attentamente il manuale d'uso prima di utilizzare l'apparecchio e conservarlo per riferimenti futuri.

**Restrizioni d'uso**

- Questo prodotto non deve essere utilizzato da bambini di età inferiore a 8 anni o da persone con deficit fisici, sensoriali, intellettuali o con esperienza o conoscenze limitate senza la supervisione di un genitore o di un tutore per garantire un funzionamento sicuro ed evitare qualsiasi rischio. La pulizia e la manutenzione non devono essere eseguite da bambini senza supervisione.
- L'apparecchio deve essere utilizzato solo con l'alimentatore fornito in dotazione.
- Questo apparecchio contiene batterie che possono essere sostituite solo da personale specializzato.
- Liberare l'area da pulire. I bambini non devono giocare con l'apparecchio. Assicurarsi che bambini e animali domestici siano tenuti a distanza di sicurezza dal robot durante il suo funzionamento.
- Non installare, caricare o utilizzare l'apparecchio nei bagni o intorno alle piscine.
- Questo prodotto è destinato esclusivamente alla pulizia dei pavimenti in ambiente domestico. Non utilizzare all'aperto, su superfici non pavimentate o in ambienti commerciali o industriali.
- Assicurarsi che l'apparecchio funzioni correttamente in un ambiente adeguato. In caso contrario, non utilizzare l'apparecchio.
- Se il cavo di alimentazione è danneggiato, deve essere sostituito con un cavo o un gruppo speciale disponibile presso il produttore o il suo agente di assistenza.

**Restrizioni d'uso**

- Non utilizzare il robot in un'area sospesa sopra il livello del suolo senza una barriera protettiva.
- Non posizionare il robot a testa in giù. Non utilizzare il coperchio dell'LDS, il coperchio del robot o il paraurti come impugnatura del robot.
- Utilizzare il robot in ambienti con temperatura ambiente superiore a 0 °C e inferiore a 40 °C. Assicurarsi che non vi siano liquidi o sostanze appiccicose sul pavimento.
- Per evitare danni o danni da trascinamento, prima di mettere in funzione l'apparecchio, rimuovere tutti gli oggetti lasciati sul pavimento e i cavi o i fili di alimentazione che si trovano sul percorso di pulizia.
- Rimuovere gli oggetti fragili o piccoli dal pavimento per evitare che il robot li urti e li danneggi.
- Tenere capelli, dita e altre parti del corpo lontano dall'apertura di aspirazione del robot.
- Tenere lo strumento di pulizia fuori dalla portata dei bambini.
- Non mettere in funzione l'apparecchio in una stanza in cui dorme un neonato o un bambino.
- Non collocare bambini, animali domestici o altri oggetti sopra il robot, indipendentemente dal fatto che sia fermo o in movimento.
- Nel serbatoio dell'acqua pulita è possibile aggiungere solo acqua pulita e la soluzione detergente ufficialmente approvata. Non aggiungere altri liquidi come alcol o disinfettanti. Il rapporto tra la soluzione detergente e l'acqua pulita può essere controllato sul flacone della soluzione detergente. Tenere la soluzione detergente fuori dalla portata dei bambini.

**Restrizioni d'uso**

- Non utilizzare il robot per pulire oggetti molto caldi. Non utilizzare il robot per raccogliere liquidi infiammabili o combustibili, gas corrosivi, acidi o solventi non diluiti.
- Non aspirare oggetti duri o taglienti. Non utilizzare l'apparecchio per raccogliere oggetti come sassi, grandi pezzi di carta o qualsiasi altro oggetto che possa intasare l'apparecchio.
- La spina deve essere rimossa dalla presa di corrente prima di procedere alla pulizia o alla manutenzione dell'apparecchio.
- Non pulire il robot o la stazione base con un panno bagnato e non sciacquarli con alcun liquido. Dopo aver pulito le parti lavabili, asciugarle completamente prima di reinstallarle e utilizzarle.
- Utilizzare questo prodotto in conformità alle istruzioni contenute nel manuale d'uso. Gli utenti sono responsabili di eventuali perdite o danni derivanti dall'uso improprio di questo prodotto.

**Batterie e ricarica**

- Non utilizzare batterie o stazioni base di parte terza. Il robot può essere utilizzato solo con la stazione base modello RCEE0301.
- Non tentare di smontare, riparare o modificare da soli la batteria o la stazione base.
- Non collocare la stazione base vicino a una fonte di calore.
- Non utilizzare un panno o le mani bagnate per pulire i contatti di ricarica della stazione base.
- Non smaltire impropriamente le vecchie batterie. Le batterie non necessarie devono essere smaltite presso un impianto di riciclo appropriato.

**Batterie e ricarica**

- Se il cavo di alimentazione è danneggiato o rotto, interrompere immediatamente l'uso e contattare il servizio di assistenza.
- Assicurarsi che il robot sia spento durante il trasporto e, se possibile, conservato nell'imballaggio originale.
- Se il robot non viene utilizzato per un tempo prolungato, caricarlo completamente, quindi spegnerlo e conservarlo in un luogo fresco e asciutto. Ricaricare il robot almeno una volta ogni 3 mesi per evitare di scaricare eccessivamente la batteria.

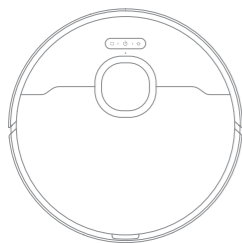
**Informazioni sulla sicurezza del laser**

- Il sensore laser di questo prodotto è conforme alla norma IEC 60825-1:2014/EN 60825-1:2014/A11:2021 per i prodotti laser di Classe 1. Evitare il contatto diretto con gli occhi durante l'uso.

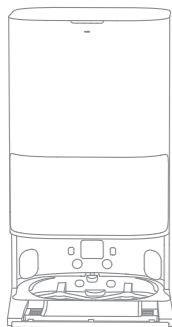
PRODOTTO LASER DI CLASSE 1  
PRODOTTO LASER DI CONSUMO  
EN 50689:2021

Con la presente, Dreame Trading (Tianjin) Co., Ltd. dichiara che l'apparecchiatura radio tipo RLE51SE è conforme alla direttiva 2014/53/UE. Il testo completo della dichiarazione di conformità dell'UE è disponibile al seguente indirizzo internet: <https://mova-tech.com>  
Per un manuale elettronico dettagliato, visitare il sito <https://www.mova-tech.com/pages/user-manuals-and-faqs>

**Contenuto della confezione**



Robot

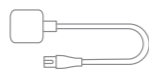


Stazione base

**Altri accessori**



Spazzola laterale



Cavo di alimentazione



Manuale dell'utente



Piastra di estensione della rampa della stazione base



Tampone del mocio × 2 (preinstallato)

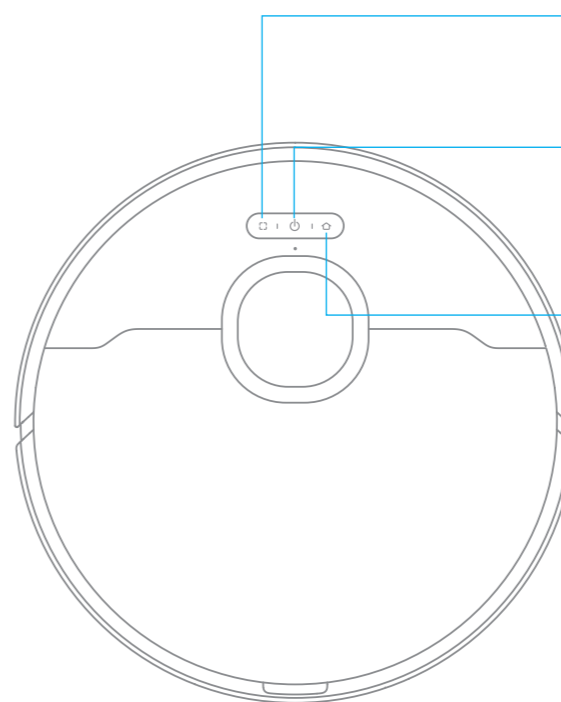


Supporto per il tampone del mocio × 2



Sacchetto per la polvere (preinstallato)

**Robot**



**Pulsante per la pulizia localizzata**  
 · Premere per avviare la pulizia localizzata

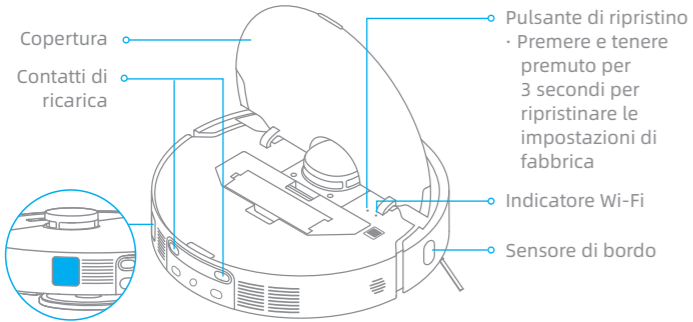
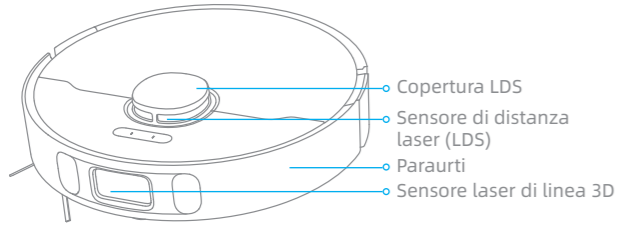
**Pulsante di accensione / pulizia**  
 · Tenere premuto per 3 secondi per accendere o spegnere il dispositivo  
 · Premere per avviare la pulizia dopo l'accensione del robot

**Pulsante Stazione**  
 · Premere per rimandare il robot alla stazione base  
 · Tenere premuto per 3 secondi per disattivare il blocco bambini

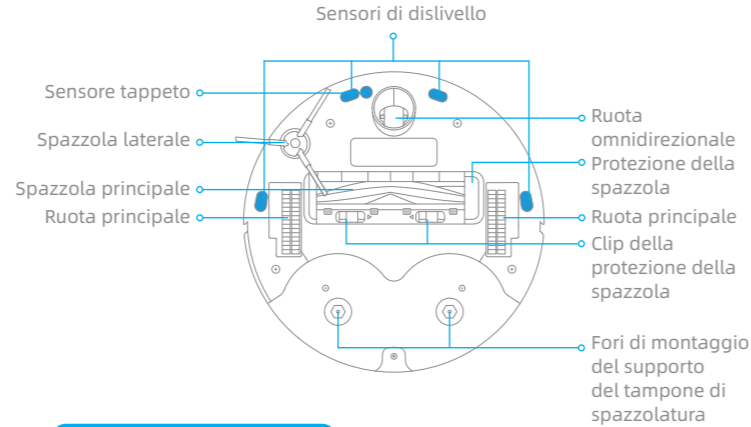
**Indicatore di stato**  
 · Bianco fisso: Pulizia o ripulitura completata  
 · Bianco intermittente: In carica (non batteria scarica)  
 · Arancione fisso: Standby a batteria scarica o in pausa a batteria scarica  
 · Arancione lampeggiante: In carica (batteria scarica)  
 · Arancione lampeggiante: Errore

**Nota:**  
 · Premere un pulsante qualsiasi del robot per mettere in pausa il robot durante la pulizia o la ricarica.  
 · Il blocco bambini può essere attivato/disattivato tramite l'App.

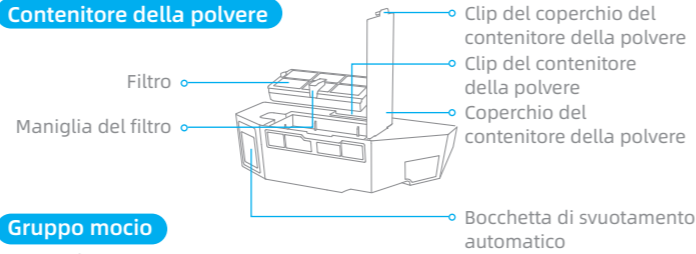
**Robot e sensori**



Bocchetta di svuotamento automatico



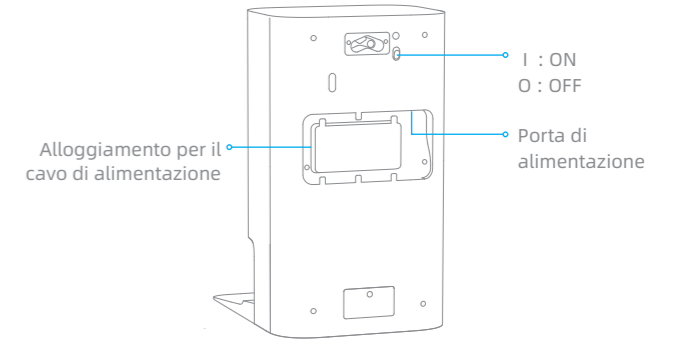
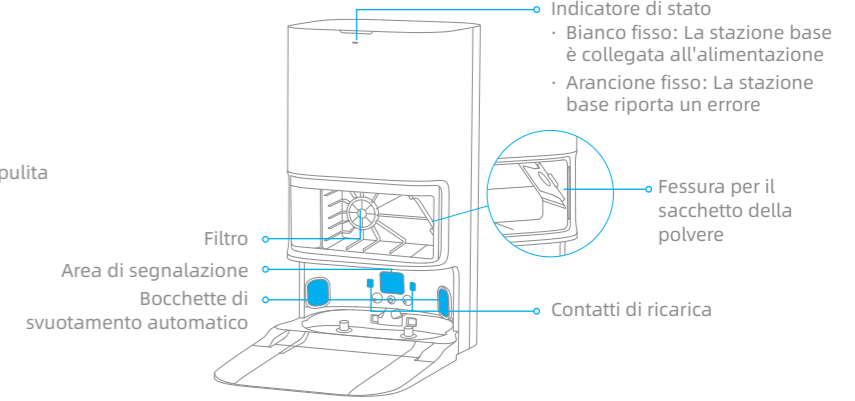
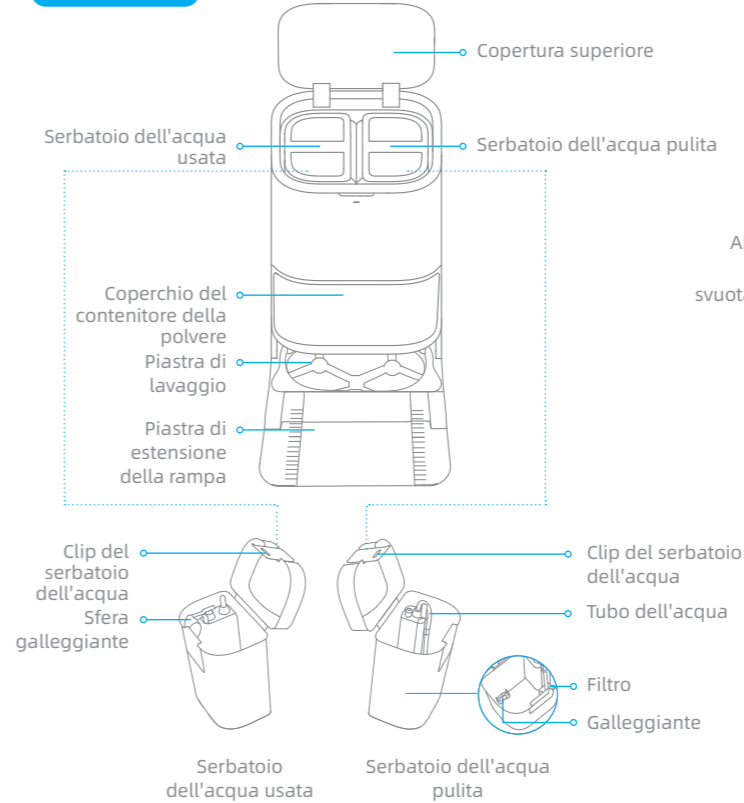
**Contenitore della polvere**



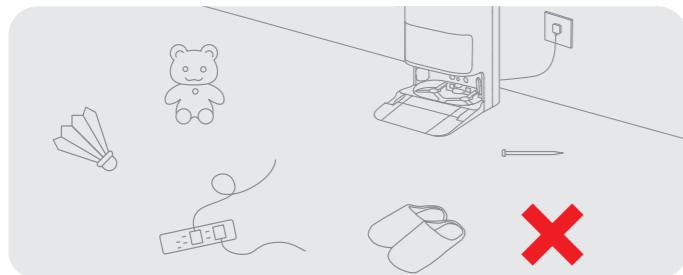
**Gruppo mocio**



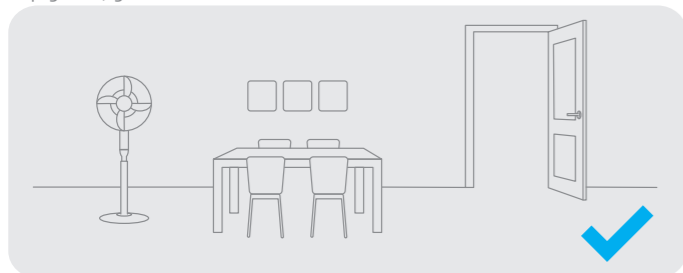
**Stazione base**



## Preparare la casa



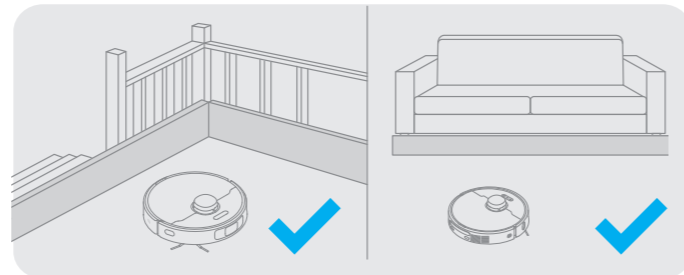
Prima di procedere alla pulizia, allontanare gli oggetti instabili, fragili, di valore o pericolosi e togliere i cavi, i panni, i giocattoli, gli oggetti duri e gli oggetti appuntiti che si trovano a terra, per evitare che il robot possa impigliarsi, graffiarsi o rovesciarsi e causare danni.



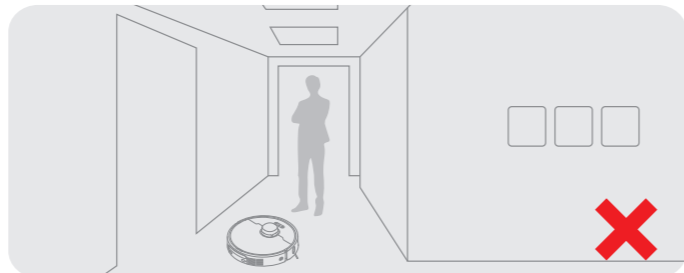
Aprire la porta della stanza da pulire e sistemare i mobili al loro posto per lasciare più spazio.

### Nota:

- Quando si utilizza il robot per la prima volta, seguirlo durante la pulizia per eliminare in tempo eventuali ostacoli.
- Non aspirare oggetti duri come pietre, sfere d'acciaio e parti di giocattoli, né oggetti appuntiti come rifiuti edili, vetri rotti e chiodi, per evitare di graffiare il pavimento.



Prima della pulizia, posizionare una barriera fisica sul bordo delle scale e del divano per garantire il funzionamento sicuro e senza intoppi del robot.

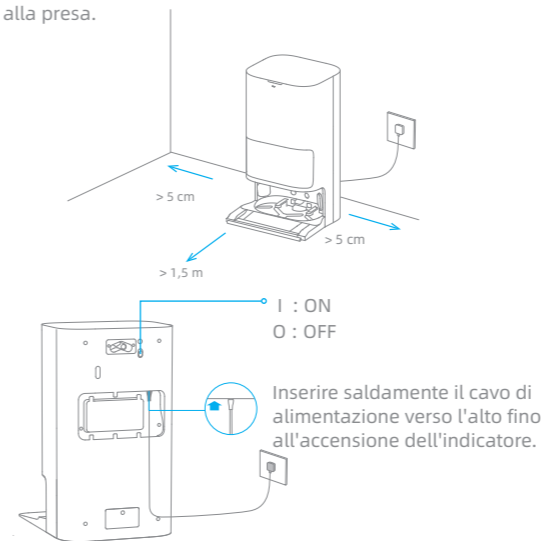


Per evitare che il robot non riconosca le aree da pulire, non sostare davanti al robot, alle soglie, ai corridoi o ai luoghi angusti.

## Prima dell'uso

### 1. Posizionare la stazione base e collegarla a una presa elettrica

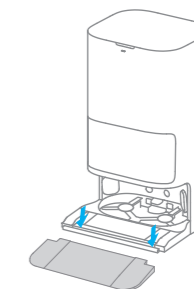
Collocare la stazione base in una posizione il più possibile aperta e con un buon segnale Wi-Fi. Rimuovere gli oggetti che si trovano a una distanza inferiore a 1,5 m dalla parte anteriore e a 5 cm da entrambi i lati della stazione base. Inserire il cavo di alimentazione nella stazione base e collegarlo alla presa.



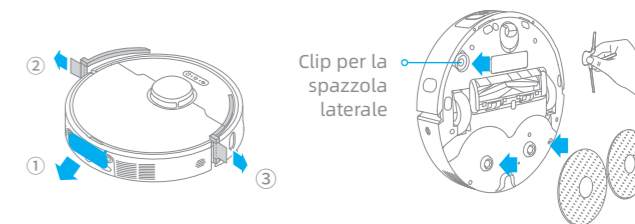
### Nota:

- Assicurarsi che nessun oggetto possa bloccare l'area di segnalazione.
- Per evitare che le macchie d'acqua bagnino i pavimenti in legno o i tappeti, si consiglia di posizionare la stazione base su pavimenti in piastrelle o in marmo.


### 2. Installare la piastra di estensione della rampa

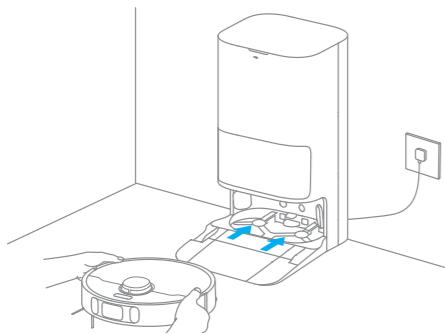


### 3. Rimuovere le protezioni del robot e installare il gruppo spazzola laterale e mocio



#### 4. Collegare il robot alla stazione base

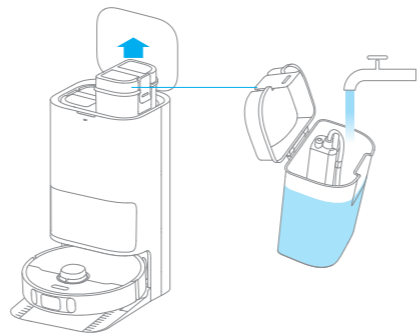
Tenere premuto il pulsante  sul robot per 3 secondi per accenderlo. Posizionare il robot sulla stazione base con il gruppo mocio rivolto verso l'asse di lavaggio. Quando il robot si connette con successo alla stazione base, viene emessa una notifica vocale.



**Nota:** si raccomanda di caricare completamente il robot prima del suo primo utilizzo. Se non è possibile accendere il robot dopo l'esaurimento della batteria, collegare manualmente il robot alla stazione per caricarlo.

#### 5. Aggiungere acqua al serbatoio dell'acqua pulita

Estrarre il serbatoio dell'acqua pulita dalla stazione base e riempirlo con acqua pulita. Quindi reinserirlo nella stazione base.

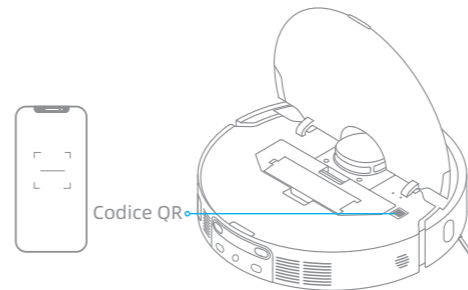


**Nota:** Non aggiungere acqua calda nel serbatoio dell'acqua per evitare che il serbatoio si deformi.

## Collegamento con l'App

#### 1. Scaricare l'App

Scansionare il codice QR sul robot per scaricare e installare l'applicazione.



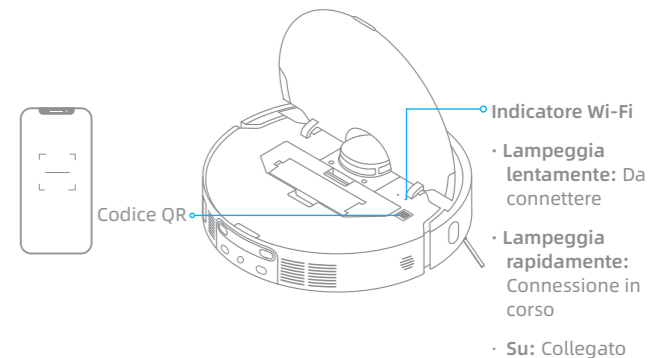
#### Nota:

- È supportato solo il Wi-Fi a 2,4 GHz.
- A causa degli aggiornamenti del software dell'app, le operazioni effettive potrebbero differire dalle indicazioni contenute nel presente manuale. Seguire le istruzioni in base alla versione attuale dell'app.

#### 2. Aggiungi dispositivo



Aprire l'app, toccare "Scansiona il codice QR per connetterti" e scansionare nuovamente lo stesso codice QR sul robot per aggiungere il dispositivo. Seguire le istruzioni per completare la connessione Wi-Fi.

**Nota:** Se si desidera ripristinare il Wi-Fi, ripetere il passaggio 2 e seguire le istruzioni per completare la connessione Wi-Fi.





**Accensione/spengimento**

Premere e tenere premuto il pulsante  per 3 secondi per accendere il robot. L'indicatore di alimentazione dovrebbe essere acceso. Collocare il robot sulla stazione base, il robot si accenderà automaticamente e inizierà a caricarsi. Per spegnere il robot, allontanarlo dalla stazione base e tenere premuto il pulsante  per 3 secondi.

**Mappatura veloce**

Dopo aver configurato la rete per la prima volta, seguire le istruzioni dell'App per creare rapidamente una mappa. Il robot inizierà a tracciare una mappa senza pulire. Quando il robot torna alla stazione base, il processo di mappatura è stato completato e la mappa viene salvata automaticamente.

**Pausa/Riposo**

Quando il robot è in funzione, premere un pulsante qualsiasi per metterlo in pausa. Se il robot rimane in pausa per più di 10 minuti, entra automaticamente in modalità di riposo. Tutti gli indicatori del robot si spengono. Premere un pulsante qualsiasi del robot o utilizzare l'app per attivarlo.

**Nota:** Se il robot viene messo in pausa e posizionato sulla stazione di ricarica, il compito di pulizia in corso viene interrotto.

**Ripresa automatica della pulizia**

Se la batteria è troppo scarica, il robot torna automaticamente alla stazione base per ricaricarsi. Dopo la ricarica al livello di batteria appropriato, riprenderà le attività di pulizia non ancora concluse.

**Nota:** Per utilizzare questa funzione, abilitarla nell'app.


**Modalità Non disturbare (DND)**

Quando il robot è impostato sulla modalità Non disturbare (DND), il robot non può riprendere la pulizia e l'indicatore di alimentazione si spegne. La modalità DND è disattivata per impostazione predefinita in fabbrica. Con l'app è possibile attivare la modalità DND o modificare il periodo di DND. Per impostazione predefinita, il periodo di DND va dalle 22:00 alle 8:00.



**Nota:**

- Le attività di pulizia programmate saranno eseguite come di consueto durante il periodo di DND.
- Alla scadenza del periodo di DND, il robot riprenderà la pulizia dal punto in cui l'aveva lasciata.

**Pulizia localizzata**

Quando il robot è in standby, premere brevemente il pulsante  per attivare la modalità di pulizia localizzata. In questa modalità, il robot pulisce un'area quadrata di 1,5 x 1,5 metri intorno a sé e torna al punto di partenza una volta completata la pulizia localizzata.


**Riavvio del robot**

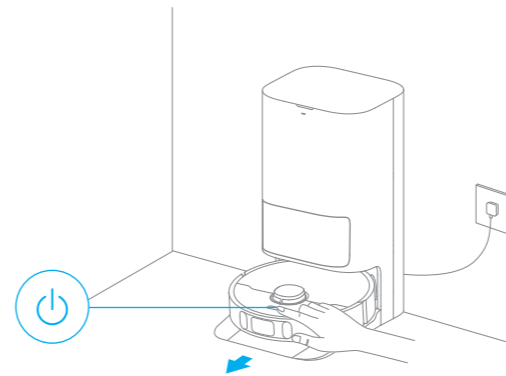
Se il robot smette di rispondere o non può essere spento, tenere premuto il pulsante  per 10 secondi per spegnerlo. Quindi, tenere premuto il pulsante  per 3 secondi per accendere il robot.

**Aspirazione e lavaggio**

**Nota:** quando si utilizza il gruppo mocio per la prima volta, il robot esegue il compito "Aspirazione e mocio" per impostazione predefinita.

**1. Avvio della pulizia**

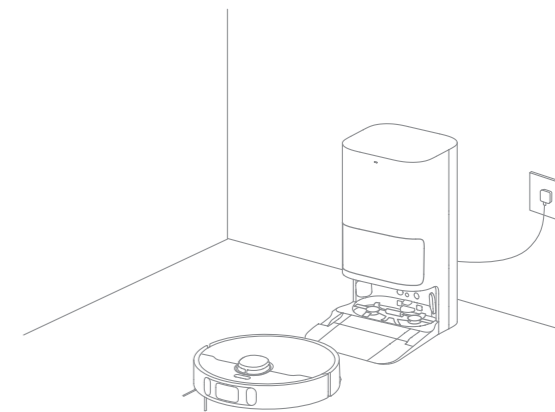
Premere il pulsante  sul robot, oppure utilizzare l'app per far partire il robot dalla stazione base. Quindi il robot pianifica il percorso di pulizia ottimale ed esegue l'operazione di pulizia in base alla mappa creata.

**Nota:**

- Per garantire che il robot torni facilmente alla stazione base dopo la pulizia, si raccomanda di far partire il robot dalla stazione base.
- I tamponi del mocio verranno puliti prima che il robot inizi a pulire, attendere pazientemente.
- Non spostare la stazione base, il serbatoio dell'acqua pulita, il serbatoio dell'acqua usata o l'asse di lavaggio durante il funzionamento.

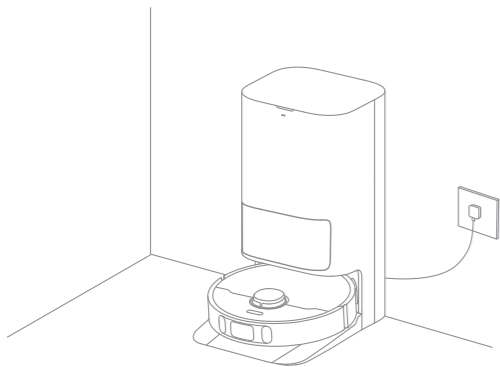
**2. Lavaggio automatico del mocio**

Durante la pulizia, il robot torna automaticamente alla stazione base per lavare i tamponi del mocio in base alla frequenza di pulizia degli stessi specificata nell'App.



### 3. Svuota automaticamente il contenitore della polvere e lava e asciuga i tamponi del mocio

Dopo che il robot ha terminato un'attività di pulizia e torna alla stazione base per ricaricarsi, la stazione base inizierà automaticamente a svuotare il contenitore della polvere. Poi laverà e asciugherà i moci.



#### Nota:

- Se la funzione di svuotamento automatico è disattivata nell'app, la stazione base non svuoterà automaticamente il contenitore della polvere.
- La stazione base svuoterà il contenitore della polvere in base alle impostazioni dell'app.

### 4. Pulire il serbatoio dell'acqua usata

Dopo che il robot ha completato il suo compito, ti preghiamo di pulire il serbatoio dell'acqua usata per evitare qualsiasi odore.

#### Lavare dopo aver passato l'aspirapolvere

Selezionare "Lavaggio dopo l'aspirazione" nell'app e il robot sollevierà automaticamente il gruppo mocio per aspirare il pavimento. Al termine dell'aspirazione, il robot torna a svuotare il contenitore della polvere e inizia a pulire dopo aver abbassato automaticamente il gruppo del mocio.

#### Solo aspirapolvere

Selezionando la funzione di aspirazione nell'app, il robot sollevierà automaticamente il gruppo mocio e inizierà ad aspirare.

#### Solo lavaggio

Selezionare la funzione di lavaggio nell'App e il robot controllerà se il gruppo mocio è installato. In caso contrario, installare manualmente il gruppo del mocio, quindi il robot inizierà a pulire.

#### Parti di ricambio

Per mantenere il robot in buone condizioni, si raccomanda di fare riferimento all'utilizzo degli accessori nell'app o alla tabella seguente per la manutenzione ordinaria.

Parte	Frequenza di manutenzione	Periodo di sostituzione
Serbatoio dell'acqua usata	Dopo ogni utilizzo	/
Serbatoio dell'acqua pulita	Una volta ogni 2 settimane	Ogni 6-12 mesi
Spazzola principale		Ogni 3-6 mesi
Filtro del contenitore della polvere		/
Spazzola laterale		/
Supporto per il tampone del mocio		/
Piastra di lavaggio	Una volta al mese	/
Area di segnalazione della stazione base		
Contatti di ricarica		
Bocchette di svuotamento automatico		
Ruota omnidirezionale		
Sensore di bordo		
Sensore di distanza laser (LDS)		
Sensore laser di linea 3D		

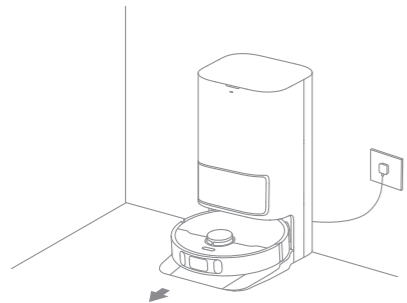
Parte	Frequenza di manutenzione	Periodo di sostituzione
Sensore tappeto	Una volta al mese	/
Sensori di dislivello		
Paraurti		
Fondo del robot		
Contenitore della polvere	Pulire se necessario	
Sacchetto per la polvere	/	Ogni 2-4 mesi
Tampone del mocio		Ogni 1-3 mesi

**Nota:** La frequenza di sostituzione dipenderà dall'utilizzo del robot. Se si verifica un'eccezione dovuta a circostanze particolari, le parti devono essere sostituite.

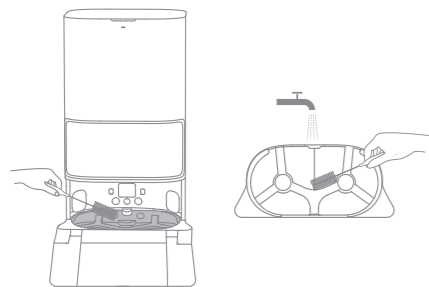
## Manutenzione ordinaria

### Base dell'asse di lavaggio

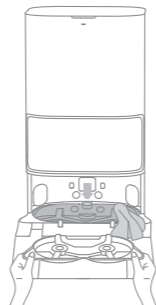
1. Abilitando la funzione di pulizia della base dell'asse di lavaggio nell'app, il robot uscirà automaticamente dalla stazione base. Estrarre la piastra di lavaggio e attendere che l'acqua riempia il fondo della stazione base.



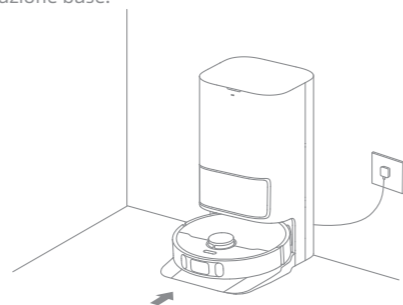
2. Sciacquare la piastra di lavaggio con acqua pulita e utilizzare uno strumento di pulizia adatto per pulire il fondo della stazione base.



3. Dopo qualche istante, la stazione base provvederà a pompare fuori automaticamente l'acqua utilizzata. Quindi asciugare con un panno morbido e asciutto e rimettere la piastra di lavaggio al suo posto.



4. Utilizzare l'App o premere brevemente il pulsante  sul robot per farlo tornare alla stazione base.

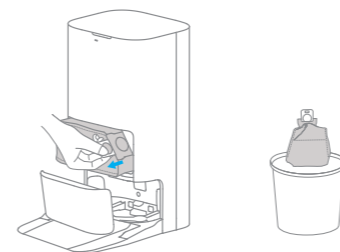


**Nota:** Durante la pulizia, non far tornare il robot alla stazione base.

## Manutenzione ordinaria

### Sacchetto per la polvere

1. Rimuovere il coperchio del contenitore della polvere e gettare il sacchetto della polvere.

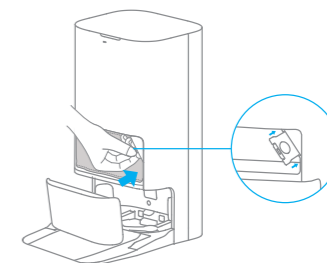


**Nota:** Tirando verso l'alto la maniglia, il sacchetto viene sigillato per evitare che polvere e detriti cadano accidentalmente.

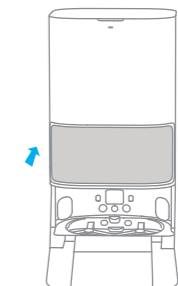
2. Rimuovere la polvere e i detriti dal filtro con un panno asciutto.



3. Installare un nuovo sacchetto per la polvere.



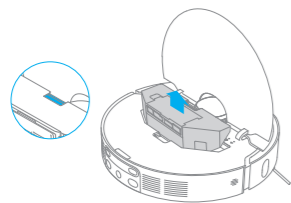
4. Reinstallare il coperchio del contenitore della polvere.



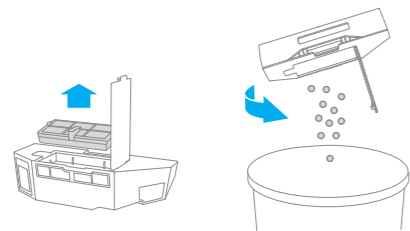
## Manutenzione ordinaria

### Contenitore della polvere e filtro

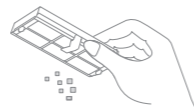
1. Aprire il coperchio del robot e premere la clip del contenitore della polvere per rimuoverlo.



2. Aprire il coperchio del contenitore della polvere, rimuovere il filtro e svuotare il contenitore della polvere come mostrato nella figura.

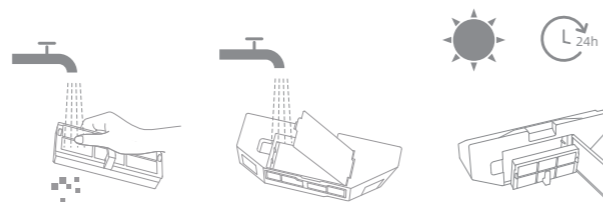


3. Picchiare delicatamente il cestello del filtro per rimuovere lo sporco.



**Nota:** Non tentare di pulire il filtro con spazzole, dita o oggetti appuntiti per evitare di danneggiarlo.

4. Sciacquare il contenitore della polvere e il filtro con acqua e asciugarli completamente prima di rimontarli.



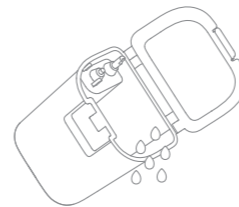
**Nota:**

- Sciacquare il contenitore della polvere e il filtro solo con acqua pulita. Non utilizzare alcun detergente.
- Utilizzare il contenitore della polvere e il filtro solo quando sono completamente asciutti.

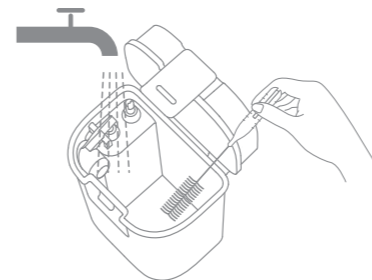
## Manutenzione ordinaria

### Serbatoio dell'acqua usata

1. Rimuovere il serbatoio dell'acqua usata, aprire il coperchio e versare l'acqua.



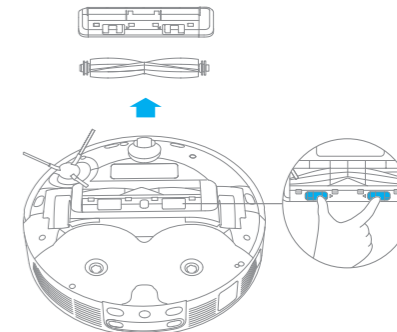
2. Sciacquare il serbatoio dell'acqua usata con acqua pulita e utilizzare uno strumento di pulizia adatto per pulire la parete interna del serbatoio.



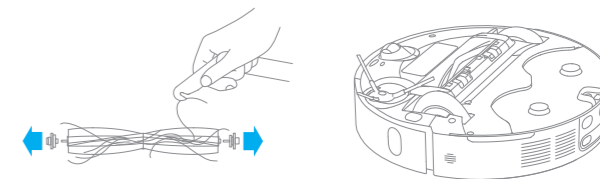
**Nota:** La sfera del galleggiante nel serbatoio dell'acqua usata è una parte mobile. Non applicare troppa forza durante la pulizia per evitare di danneggiarla.

### Spazzola principale

1. Premere i fermi della protezione della spazzola verso l'interno per rimuoverla e sollevare la spazzola dal robot.



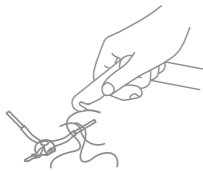
2. Estrarre i coperchi delle spazzole su entrambe le estremità, come mostrato in figura. Utilizzare uno strumento di pulizia adatto per rimuovere i peli impigliati nella spazzola. Reinstallare i coperchi delle spazzole su entrambe le estremità della spazzola, e poi la spazzola. Premere sulla protezione della spazzola per bloccarla in posizione.



## Manutenzione ordinaria

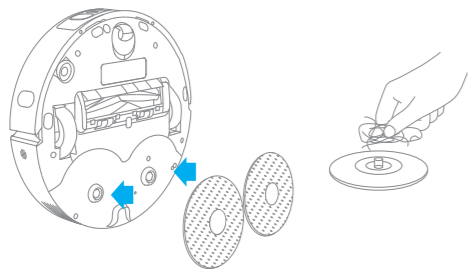
### Spazzola laterale

Rimuovere e pulire la spazzola laterale.

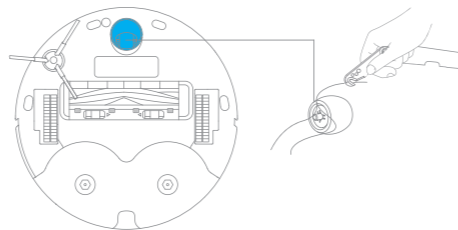


### Supporto per il tampone del mocio

Rimuovere e pulire il supporto del tampone del mocio.



### Ruota omnidirezionale



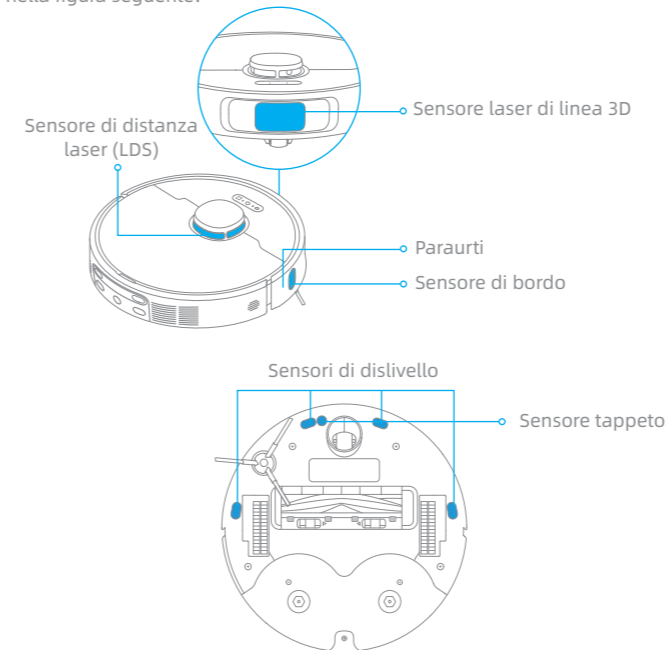
#### Nota:

- Utilizzare un utensile, ad esempio un piccolo cacciavite, per separare l'asse e il pneumatico della ruota omnidirezionale. Non usare una forza eccessiva.
- Sciacquare la ruota omnidirezionale sotto l'acqua corrente e rimontarla dopo averla asciugata completamente.

## Manutenzione ordinaria

### Sensori del robot

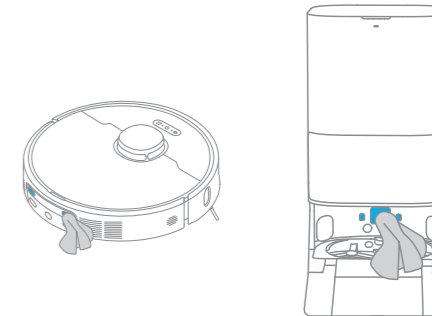
Pulire i sensori del robot con un panno morbido e asciutto, come mostrato nella figura seguente:



**Nota:** Un panno bagnato può danneggiare gli elementi sensibili del robot e della stazione base. Per la pulizia utilizzare un panno asciutto.

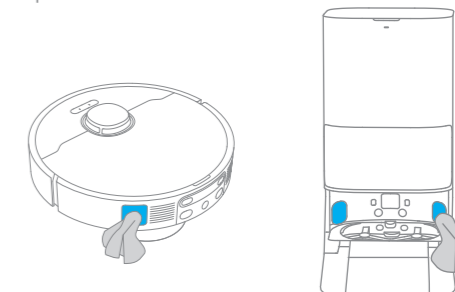
### Contatti di ricarica e area di segnalazione

Pulire i contatti di ricarica e l'area di segnalazione con un panno morbido e asciutto.



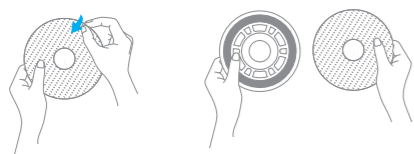
### Bocchette di svuotamento automatico

Pulire le bocchette di svuotamento automatico del robot e della stazione base con un panno morbido e asciutto.






**Tampone del mocio**

Per sostituirlo, rimuovere il tampone dal relativo supporto.

**Batteria**

Il robot contiene una batteria agli ioni di litio ad alte prestazioni. Assicurarsi che la batteria rimanga ben carica durante l'uso quotidiano per mantenere prestazioni ottimali. Se il robot non viene utilizzato per un tempo prolungato, spegnerlo e metterlo via. Per evitare danni dovuti a scariche eccessive, caricare il robot almeno una volta ogni tre mesi.

Problema	Soluzione
Il robot non si accende.	La batteria è scarica. Ricaricare il robot sulla base e riprovare. La temperatura della batteria è troppo bassa o troppo alta. Si raccomanda di far funzionare l'apparecchio a una temperatura compresa tra 32 °F (0 °C) e 104 °F (40 °C).
Il robot non si carica.	La stazione base non è collegata all'alimentazione, accertarsi che entrambe le estremità del cavo di alimentazione siano collegate correttamente. Il contatto tra i contatti di ricarica della stazione base e il robot è insufficiente; pulire i contatti di ricarica. Verificare la presenza di oggetti estranei sul connettore del robot ed eventualmente rimuoverli.
Il robot non riesce a connettersi al Wi-Fi.	La password della rete Wi-Fi non è corretta. Assicurarsi che la password utilizzata per la connessione alla rete Wi-Fi sia corretta. Il robot non supporta una connessione Wi-Fi a 5 GHz. Assicurarsi che il robot sia collegato a una connessione Wi-Fi a 2,4 GHz. Il segnale Wi-Fi è debole. Assicurarsi che il robot si trovi in un'area con una buona copertura Wi-Fi. Il robot potrebbe non essere pronto per essere configurato. Uscire e rientrare nell'app, quindi riprovare come indicato.
Il robot non riesce a trovare e a tornare alla stazione base.	La stazione base viene scollegata dall'alimentazione o spostata quando il robot non è su di essa. Collegare la stazione base all'alimentazione o di posizionare il robot sulla stazione base per caricarlo. Ci sono troppi ostacoli intorno alla stazione base. Posizionare la stazione base in un'area più aperta. Lo spostamento del robot può provocare il suo riposizionamento e, se il riposizionamento non riesce, il robot ricrea una mappa. Se il robot è troppo lontano dalla stazione base, potrebbe non essere in grado di tornare automaticamente da solo, nel qual caso sarà necessario posizionare manualmente il robot sulla stazione base. Pulire l'area di segnalazione della stazione base per rimuovere polvere o detriti.
Il robot si blocca davanti alla stazione base e non può tornare indietro.	Eliminare qualsiasi ostacolo entro 5 cm sui lati destro e sinistro o entro 1,5 m davanti alla stazione base per evitare che il robot venga bloccato. Il percorso di ritorno alla carica è bloccato, ad esempio la porta è chiusa. Il robot può scivolare se il pavimento davanti alla stazione base è troppo bagnato. In tal caso, pulire l'acqua in eccesso prima di riprovare. Si consiglia di spostare la stazione base in un altro luogo e riprovare. Assicurarsi che la piastra di estensione della rampa sia installata correttamente.

Problema	Soluzione
Il robot non si spegne.	Il robot non può essere spento quando è in carica. Si consiglia di allontanare il robot dalla stazione base e di tenere premuto il pulsante  per 3 secondi per spegnerlo. Se non è possibile spegnere il robot eseguendo il punto 1, tenere premuto il pulsante  per 10 secondi per spegnere forzatamente il robot. Se il problema persiste, contattare il servizio post-vendita.
La velocità di ricarica è lenta.	La ricarica completa del robot richiede circa 3,5 ore quando la batteria è scarica. Se si utilizza il robot a temperature che non rientrano nell'intervallo specificato, la velocità di ricarica rallenterà automaticamente per prolungare la durata della batteria. I contatti di ricarica del robot e della base potrebbero essere sporchi; pulirli con un panno asciutto.
Il rumore aumenta durante il funzionamento del robot.	Controllare se il filtro del contenitore della polvere è intasato. In tal caso, pulirlo o sostituirlo. Un oggetto duro può rimanere incastrato nella spazzola principale o nel contenitore della polvere. Controllare e rimuovere eventuali oggetti duri. La spazzola principale o quella laterale potrebbero incastrarsi. Controllare e rimuovere eventuali corpi estranei. Commutare la modalità di aspirazione su Standard o Silenzioso.
Il robot si muove senza seguire il percorso impostato.	Oggetti come cavi di alimentazione e pantofole devono essere messi via prima di utilizzare il robot. Il lavoro su superfici bagnate e scivolose provoca lo slittamento della ruota principale. Si raccomanda di asciugare i punti bagnati prima di utilizzare il robot. Pulire il sensore laser 3D di linea sul robot con un panno pulito e morbido per mantenerlo pulito e non ostruito.
Il robot non trova le stanze da pulire.	Assicurarsi che le porte delle stanze da pulire siano aperte. Verificare se la soglia della porta della stanza è più alta di circa 2 cm. Il robot non può superare soglie o gradini alti. Il luogo antistante la stanza da pulire potrebbe essere bagnato e scivoloso, causando lo scivolamento del robot e un funzionamento anomalo. Prima di utilizzare il robot, provare ad asciugare il pavimento.
Il robot non riprende la pulizia dopo la ricarica.	Assicurarsi che il robot non sia impostato sulla modalità Non disturbare (DND), che gli impedisce di riprendere la pulizia. Il robot non riprende la pulizia dopo che è stato riportato manualmente alla stazione base o inviato alla ricarica tramite l'app o il pulsante  .

Problema	Soluzione
La stazione non può svuotare automaticamente il contenitore della polvere.	Controllare se il sacchetto della polvere nel contenitore è pieno. Se il sacchetto della polvere non è pieno, verificare se ci sono ostruzioni nelle bocchette di svuotamento automatico del robot, della stazione base o del contenitore della polvere. Se ci sono, pulire prontamente la parte bloccata.
Il livello dell'acqua nell'asse di lavaggio è anomalo.	Controllare se la guarnizione del serbatoio dell'acqua usata è allentata o non è installata correttamente e, in tal caso, ripristinarla manualmente. Se il problema persiste, contattare il servizio post-vendita. Premere delicatamente sul serbatoio dell'acqua usata per verificare che sia installato correttamente. Rimuovere l'asse di lavaggio e controllare se lo scarico delle acque reflue è ostruito e pulirlo. Controllare la soluzione detergente. Non aggiungere altri liquidi oltre alla soluzione detergente ufficialmente approvata.
Il supporto del mocio è sollevato in modo anomalo.	Rimuovere il supporto del mocio per verificare che non vi siano oggetti estranei incastrati e provare a riavviare il robot. Se il problema persiste, contattare il servizio post-vendita.
Presenza di acqua sotto il serbatoio dell'acqua pulita o intorno alla guarnizione.	Quando si estrae il serbatoio dell'acqua pulita, è possibile che rimanga dell'acqua nel tubo sotto il serbatoio o intorno alla guarnizione. Questo è normale. Pulire con un panno asciutto.

Per ulteriore supporto, contattateci tramite <https://mova-tech.com>

## Robot

Modello	RLE51SE
Tempo di ricarica	Circa 3,5 ore
Tensione nominale	14,4 V ---
Potenza nominale	75 W
Frequenza di funzionamento	2400-2483,5 MHz
Potenza di uscita massima	<20 dBm

Scatola	Manuale	Manuale	Pellicola	Pellicola	Borsa	Maniglia	Pellicola
PAP 20	PAP 21	PAP 22	PVC 3	PET 1	CPE 7	PE 4/PP 5	PP 5
Carta			Plastica				
RACCOLTA DIFFERENZIATA							
Verifica le disposizioni del tuo Comune. Separa le componenti e conferiscile in modo corretto.							

## Stazione base

Modello	RCEE0301
Ingresso nominale	220-240 V~ 50-60 Hz
Uscita nominale	20 V --- 2 A
Potenza nominale (durante lo svuotamento della polvere)	700 W
Potenza nominale (durante la pulizia)	40 W
Potenza nominale (durante la carica e l'asciugatura)	89 W

In condizioni normali di utilizzo, questa apparecchiatura deve essere tenuta a una distanza di almeno 20 cm tra l'antenna e il corpo dell'utente.

**Nota:** La potenza nominale (durante la carica e l'asciugatura) è determinata dal valore della potenza a pieno carico.

## Smaltimento e rimozione della batteria

La batteria agli ioni di litio incorporata contiene sostanze pericolose per l'ambiente. Prima di smaltire la batteria, assicurarsi che venga rimossa da tecnici qualificati e smaltita presso un centro di riciclo appropriato.

- la batteria deve essere rimossa dall'apparecchio prima di essere rottamata;
- l'apparecchio deve essere scollegato dalla rete di alimentazione quando si rimuove la batteria;
- la batteria deve essere smaltita in modo sicuro.

## ATTENZIONE:

Prima di rimuovere la batteria, scollegare l'alimentazione e scaricare il più possibile la batteria.

Le batterie non necessarie devono essere smaltite presso un impianto di riciclo appropriato.

Non esporre a temperature elevate per evitare rischi di esplosione.

In caso di condizioni difficili, è possibile che il liquido venga espulso dalla batteria. In caso di contatto, sciacquare con acqua e consultare un medico.

## Guida alla rimozione:

1. Capovolgere il robot, utilizzare uno strumento appropriato per rimuovere le viti sul retro del robot, quindi rimuovere il coperchio.
2. Scollegare i terminali tra la batteria e la scheda PCB per rimuovere la batteria.

## Informazioni sui RAEE



Tutti i prodotti contrassegnati da questo simbolo sono rifiuti di apparecchiature elettriche ed elettroniche (RAEE come da direttiva 2012/19/UE) che non devono essere mescolati con i rifiuti domestici indifferenziati. Per proteggere la salute umana e l'ambiente, invece, è necessario consegnare i rifiuti di apparecchiature a un punto di raccolta designato per il riciclaggio dei rifiuti di apparecchiature elettriche ed elettroniche, nominato dal governo o dalle autorità locali. Lo smaltimento e il riciclo corretti aiutano a prevenire potenziali conseguenze negative per l'ambiente e la salute umana. Per ulteriori informazioni sull'ubicazione e sui termini e le condizioni di tali punti di raccolta, contattare l'installatore o le autorità locali.



## Información sobre seguridad

Para evitar una descarga eléctrica, incendios o lesiones provocados por un uso indebido del aparato, debe leer el manual de usuario cuidadosamente antes de usar el aparato y guardarlo para consultas futuras.

- Restricciones de uso**
- Este producto no debe ser usado por niños de menos de 8 años ni personas con deficiencias físicas, sensoriales, intelectuales, o experiencia o conocimiento limitados sin la supervisión de un adulto o tutor para asegurar un uso seguro y evitar riesgos. La limpieza y el mantenimiento no deben ser realizados por niños sin supervisión.
  - El aparato únicamente se debe usar con la unidad de suministro de energía proporcionada con el aparato.
  - Este aparato cuenta con baterías que únicamente pueden ser sustituidas por personas cualificadas.
  - Despeje el área a limpiar. Los niños no deben jugar con el aparato. Asegúrese de que niños y mascotas se encuentren a una distancia segura del robot mientras esté en funcionamiento.
  - No instale, cargue ni use el aparato en los baños o alrededor de las piscinas.
  - Este producto es únicamente para la limpieza de suelos en un entorno doméstico. No lo use en exteriores, en superficies que no sean el suelo, ni en un establecimiento comercial o industrial.
  - Asegúrese de que el aparato funciona correctamente en un ambiente apropiado. De otro modo, no use el aparato.
  - Si el cable de alimentación está dañado, debe ser sustituido por un cable especial o conjunto suministrado por el fabricante o su agente de servicio.

## Información sobre seguridad

- Restricciones de uso**
- No use el robot en un área suspendida por encima del nivel del suelo sin barrera protectora.
  - No coloque el robot boca abajo. No use la cubierta del LDS, la cubierta del robot o el paragolpes como asa para el robot.
  - Use el robot en ambientes con una temperatura ambiente por encima de 0 °C y por debajo de 40 °C. Asegúrese de no haya líquido o sustancias pegajosas en el suelo.
  - Para evitar daños por arrastre, despeje los objetos sueltos del suelo y retire los cables o los cables de alimentación del camino de limpieza antes de poner en funcionamiento el aparato.
  - Retire artículos frágiles o pequeños del suelo para impedir que el robot choque con ellos y los dañe.
  - Mantenga el pelo, los dedos y otras partes corporales lejos de la abertura de succión del robot.
  - Mantenga la herramienta de limpieza fuera del alcance de los niños.
  - No utilice el aparato en una habitación en la que duerman bebés o niños.
  - No coloque niños, mascotas o algún artículo encima del robot, independientemente de si está parado o en movimiento.
  - Únicamente agua limpia y la solución de limpieza oficialmente aprobada pueden añadirse al depósito de agua limpia. No añada otros líquidos tales como alcohol o desinfectante. La proporción de solución de limpieza y agua limpia puede comprobarse en la botella de solución de limpieza. Mantenga la solución de limpieza fuera del alcance de los niños.

## Información sobre seguridad

- Restricciones de uso**
- No use el robot para limpiar objetos que arden. No use el robot para recoger líquidos inflamables o combustibles, gases corrosivos, o ácidos o solventes sin diluir.
  - No aspire objetos duros o afilados. No use el aparato para recoger objetos tales como piedras, pedazos grandes de papel o algún artículo que pueda taponar el aparato.
  - Antes de limpiar o realizar el mantenimiento en el aparato hay que retirar el enchufe de la toma de corriente.
  - No restriegue el robot o la estación base con un trapo mojado ni lo enjuague con líquido. Después de limpiar las piezas lavables, séquelas totalmente antes de volver a instalarlas y utilizarlas.
  - Use este producto según las instrucciones del Manual de Usuario. Los usuarios son responsables de cualquier pérdida o daño que puedan producirse por el uso indebido de este producto.
- Baterías y carga**
- No use baterías o estaciones base de terceros. El robot únicamente se puede usar con la estación base modelo RCEE0301.
  - No intente usted mismo desensamblar, reparar o modificar la batería o la estación base.
  - No coloque la estación base cerca de una fuente de calor.
  - No use un trapo o las manos mojados para restregar o limpiar los contactos de carga de la estación base.

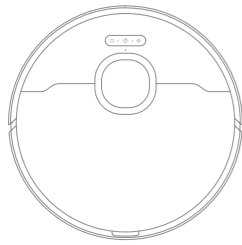
## Información sobre seguridad

- Baterías y carga**
- No deseche incorrectamente las baterías antiguas. Las baterías no necesarias se deben desechar en instalaciones de reciclaje apropiadas.
  - Si el cable de alimentación se daña o se rompe, deje de utilizarlo de inmediato y contacte con el servicio de posventa.
  - Asegúrese de que el robot esté apagado cuando vaya a ser transportado y manténgalo en su embalaje original si es posible.
  - Si el robot no se va a usar durante un periodo de tiempo prolongado, cárguelo totalmente, apáguelo y almacénalo en un lugar fresco y seco. Recargue el robot al menos una vez cada 3 meses para evitar que la batería se descargue en exceso.
- Información sobre seguridad láser**
- El sensor láser de este producto cumple la Norma IEC 60825-1:2014/EN 60825-1:2014/A11:2021 para productos láser Clase 1. Cuando lo use, evite el contacto directo con los ojos.
- PRODUCTO LÁSER CLASE 1  
 PRODUCTO LÁSER DE CONSUMO  
 EN 50689:2021

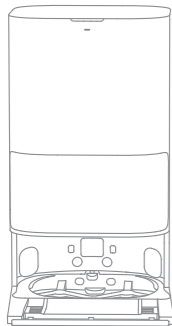
Por la presente, Dreame Trading(Tianjin) Co., Ltd. declara que el equipo de radio tipo RLE51SE cumple la Directiva 2014/53/UE. El texto completo de la declaración de conformidad de la UE está disponible en la siguiente dirección web: <https://mova-tech.com>  
 Para un manual electrónico detallado, vaya a la dirección <https://www.mova-tech.com/pages/user-manuals-and-faqs>

## Descripción general del producto

### Contenido del embalaje



Robot

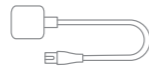


Estación base

### Otros accesorios



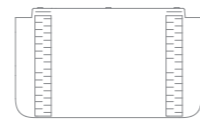
Cepillo lateral



Cable de alimentación



Manual de Usuario



Placa de extensión de rampa de la estación base



Mopa x2 (preinstaladas)



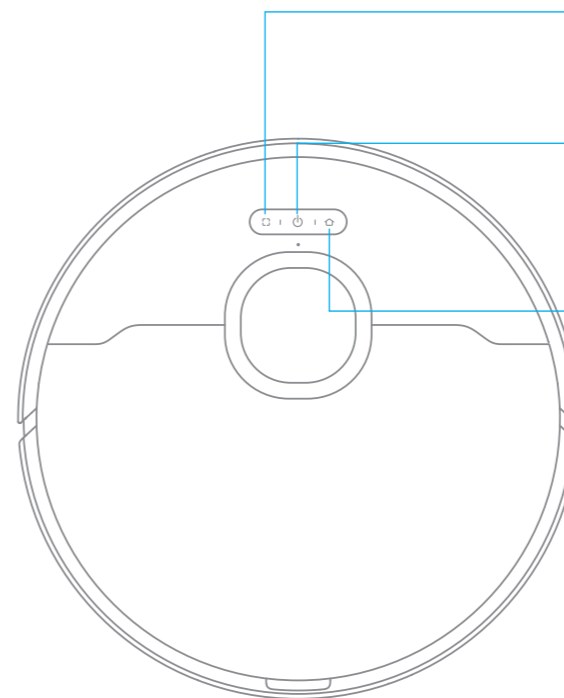
Soporte de almohadilla de mopa x2



Bolsa de polvo (preinstalada)

## Descripción general del producto

### Robot



- Botón de limpieza localizada**
  - Pulse para empezar la limpieza localizada

- Botón de encendido / limpieza**
  - Mantenga pulsado durante 3 segundos para encender o apagar
  - Pulse para empezar a limpiar después de encender el robot

- Botón de atraque**
  - Pulse para enviar el robot de regreso a la estación base
  - Mantenga pulsado durante 3 segundos para desactivar el bloqueo infantil

#### Indicador de estado

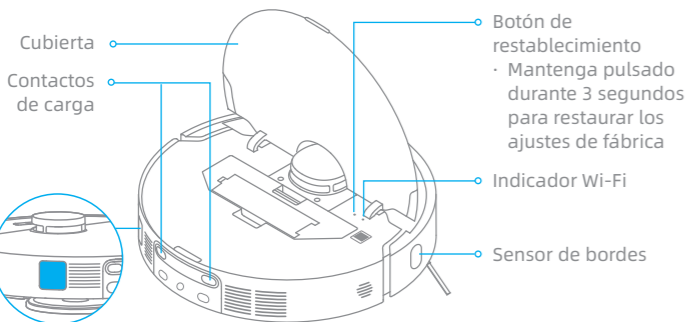
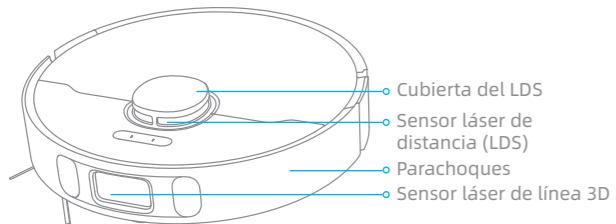
- Blanco fijo: Limpieza completada
- Parpadeo lento en blanco: Carga (sin baja batería)
- Naranja fijo: En espera con poca batería o pausado con poca batería
- Parpadeo lento en naranja: Carga (batería baja)
- Parpadeo en naranja: Error

#### Nota:

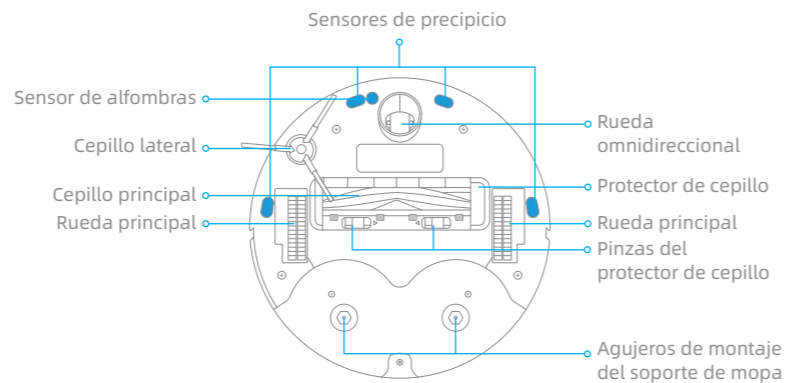
- Pulse cualquier botón en el robot para pausar mientras el robot esté limpiando o volviendo para cargar.
- El bloqueo infantil se puede activar/desactivar mediante la aplicación.

## Descripción general del producto

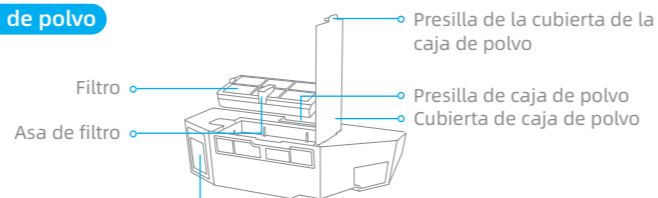
### Robot y sensores



Respiradero de vaciado automático



### Caja de polvo

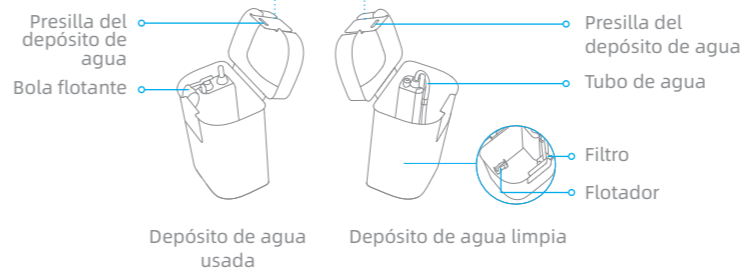
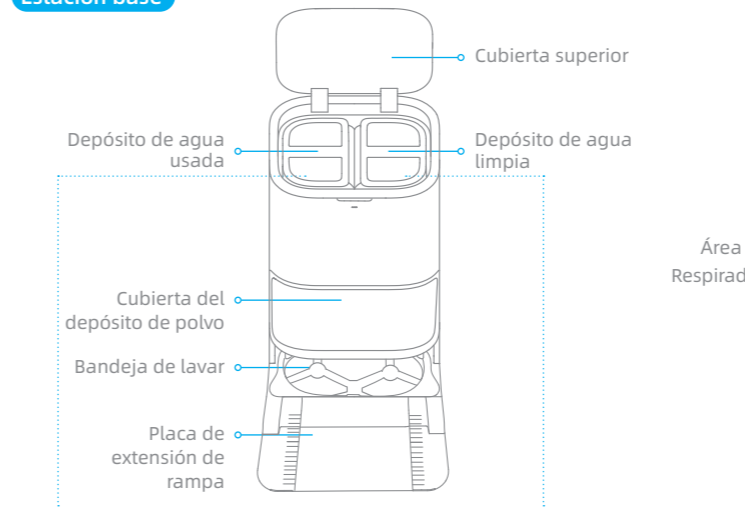


### Conjunto de mopa



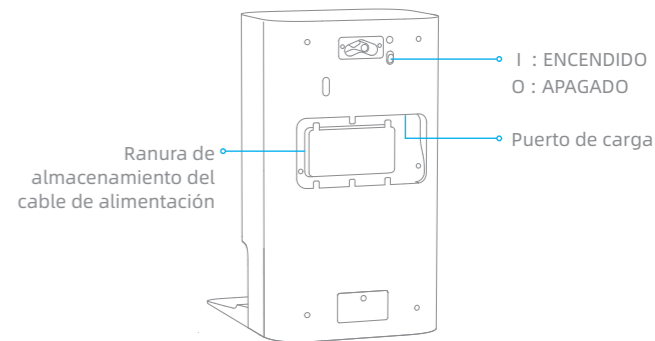
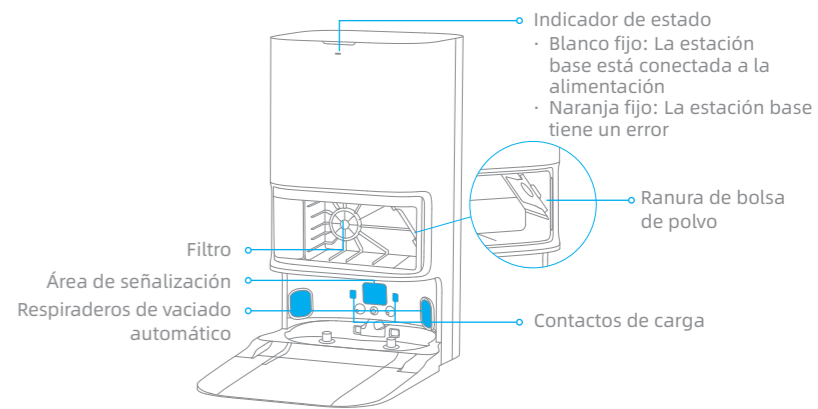
## Descripción general del producto

### Estación base



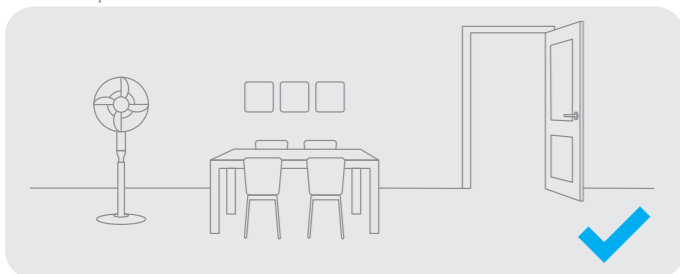
Depósito de agua usada

Depósito de agua limpia





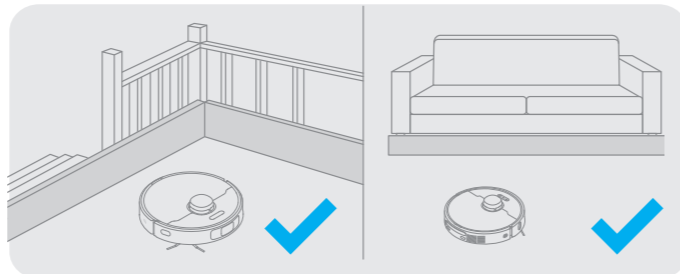
Antes de limpiar, retire los artículos inestables, frágiles, valiosos o peligrosos, y recoja los cables, la ropa, los juguetes y los objetos afilados y rígidos del suelo para evitar que se enreden, se arañen o se golpeen con el robot causando pérdidas.



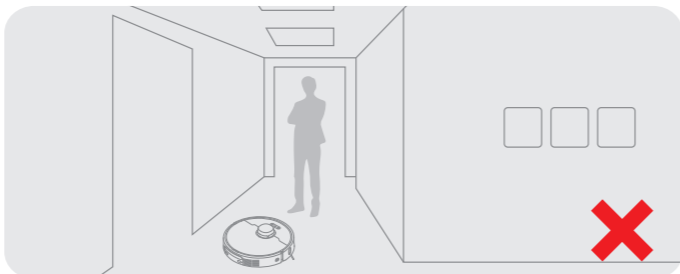
Abra la puerta de la habitación que va a limpiar y coloque los muebles en el lugar apropiado para hacer más espacio.

#### Nota:

- Cuando utilice el robot por primera vez, sígalo mientras realiza la limpieza para quitar de inmediato cualquier obstáculo potencial.
- No aspire objetos rígidos como piedras, bolas de acero ni piezas de juguetes, u objetos afilados como residuos de construcción, cristales rotos y clavos, de lo contrario el suelo podría rayarse.



Antes de empezar a limpiar, ponga una barrera física en el borde de las escaleras y el sofá para garantizar un funcionamiento seguro y fluido del robot.

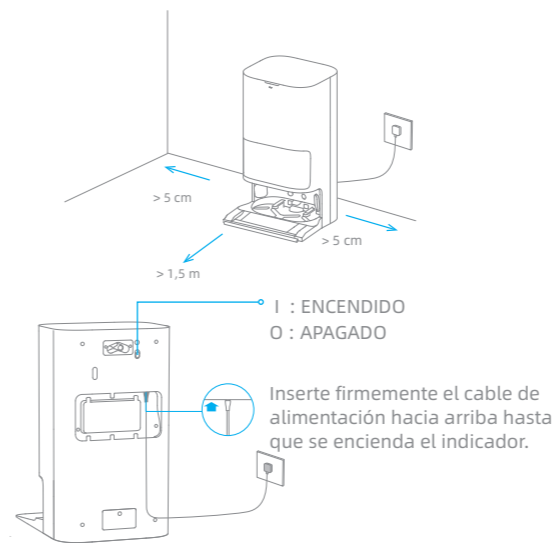


Para evitar que el robot no reconozca áreas que se tienen que limpiar, no permanezca de pie delante del robot, el umbral, en el pasillo o lugares estrechos.

## Antes de usar

### 1. Colocar la estación base y conectar a una toma eléctrica

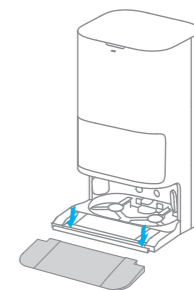
Coloque la estación base en un lugar lo más abierto posible con una buena señal Wi-Fi. Retire los objetos a menos de 1,5 m de la parte delantera y 5 cm a cada lado de la estación base. Inserte el cable de alimentación en la estación base y conéctelo a la toma.



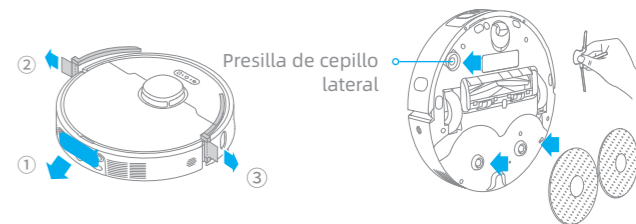
#### Nota:

- Asegúrese de que ningún objeto pueda bloquear el área de señalización.
- Para evitar que las manchas de agua mojen los suelos de madera o las alfombras, se recomienda colocar la estación base sobre suelos de baldosas o de mármol.

### 2. Instalar la placa de extensión de rampa




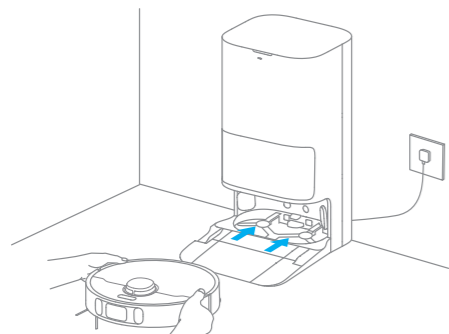
### 3. Retire las protecciones del robot e instale el cepillo lateral y el conjunto de mopa



## Antes de usar

### 4. Conectar el Robot a la estación base

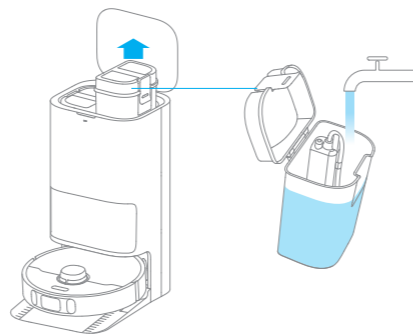
Mantenga pulsado el botón  en el robot durante 3 segundos para encenderlo. Coloque el robot sobre la estación base con el conjunto de mopa mirando hacia la bandeja de lavar. Se oirá una notificación por voz cuando el robot se conecte con éxito a la estación base.



**Nota:** Antes de usarlo por primera vez, se recomienda cargar totalmente el robot. Cuando el robot no se pueda encender después de agotarse la batería, conecte manualmente el robot a la estación base para cargarlo.

### 5. Añada agua al depósito de agua limpia

Saque el depósito de agua limpia de la estación base y llénelo con agua limpia. A continuación, instálelo de nuevo en la estación base.

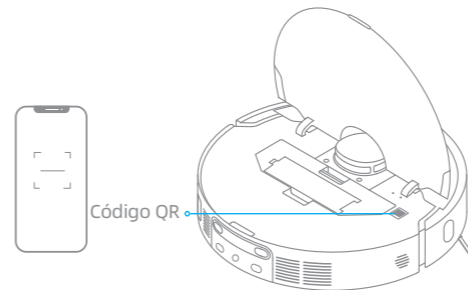


**Nota:** No llene el depósito de agua con agua caliente, esto podría provocar que el depósito se deforme.

## Conexión con la app

### 1. Descargar la app

Escanee el código QR en el robot para descargar e instalar la aplicación.



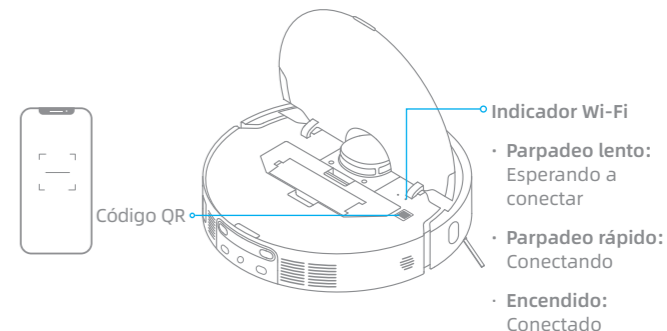
#### Nota:

- Solo compatible con Wi-Fi de 2,4 GHz.
- Debido a actualizaciones del software de la app, el funcionamiento real puede diferir de las indicaciones que hay en este manual. Siga las instrucciones en función de la versión actual de la app.

### 2. Añadir un dispositivo



Abra la app, toque "Escanear código QR para conectarse" y escanee de nuevo el mismo código QR en el robot para añadir el dispositivo. Siga las indicaciones para finalizar la conexión Wi-Fi.

**Nota:** Si desea restablecer el Wi-Fi, repita el paso 2 y luego siga las indicaciones para finalizar la conexión Wi-Fi.



## Modo de uso

### Encender/apagar

Mantenga pulsado el botón  durante 3 segundos para encender el robot. El indicador de alimentación debe iluminarse. Coloque el robot sobre la estación base, el robot debe encenderse automáticamente y comenzar a cargar. Para apagar el robot, aléjelo de la estación base y mantenga pulsado el botón  durante 3 segundos.

### Mapeo rápido

Después de configurar la red por primera vez, siga las instrucciones de la aplicación para crear rápidamente un mapa. El robot comenzará a mapear sin limpiar. El proceso de mapeo se completará cuando el robot regrese a la estación base y el mapa se guardará automáticamente.

### Pausa/Reposo

Cuando el robot esté funcionando, pulse cualquier botón para pausarlo. Si el robot está pausado más de 10 minutos, entra automáticamente en modo de reposo. Todos los indicadores del robot se apagan. Para despertar el robot, pulse cualquier botón del robot o la estación base, o use la app.

**Nota:** Si el robot se pone en pausa y se coloca en la estación base, termina el proceso de limpieza actual.

### Reanudación automática de la limpieza

Si las baterías tienen muy poca carga, el robot vuelve automáticamente a la estación base para cargar. Después de llegar a la carga apropiada de la batería, retomará las tareas de limpieza no finalizadas.

**Nota:** Para usar esta función, actívela en la app.


### Modo No molestar (DND)

Cuando el robot se pone en el modo No Molestar (DND), se impide que el robot retome la limpieza y el indicador de alimentación se apaga. El modo DND está inhabilitado de manera predeterminada desde la fábrica. Se puede usar la app para habilitar el modo DND o modificar el periodo DND. El periodo DND es 22:00-8:00 de manera predeterminada.



#### Nota:

- Las tareas de limpieza programada se realizarán de la manera habitual durante el periodo DND.
- Cuando termine el periodo DND, el robot reanudará la limpieza donde la dejó.

### Limpieza localizada

Cuando el robot está en espera, pulse brevemente el botón  para habilitar el modo de limpieza localizada. En este modo, el robot limpia un área de forma cuadrada de 1,5 x 1,5 metros a su alrededor y vuelve a su punto de partida una vez que se completa la limpieza localizada.

### Reinicio del robot

Si el robot deja de responder o no se puede apagar, mantenga pulsado el botón  durante 10 segundos para forzar el apagado. A continuación, mantenga pulsado el botón  durante 3 segundos para encender el robot.

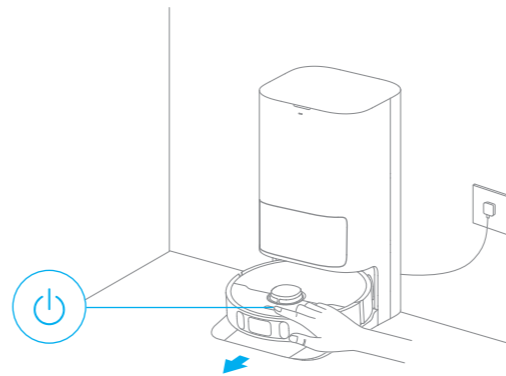
## Modo de uso

### Aspirar y pasar la mopa

**Nota:** Cuando se usa el conjunto de mopa por primera vez, el robot realiza la tarea de "Aspirar y pasar la mopa" de manera predeterminada.

#### 1. Empezar a limpiar

Pulse el botón  en el robot o use la app para que el robot empiece desde la estación base. Luego el robot planificará la ruta de limpieza óptima y realizará la tarea de limpieza en función del mapa creado.

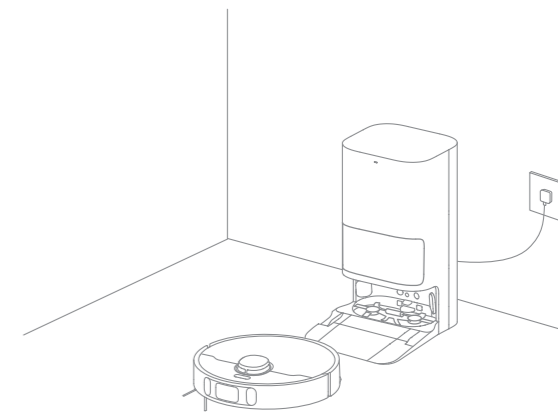


#### Nota:

- Para asegurarse de que el robot vuelve fácilmente a la estación base después de limpiar, se recomienda hacer que el robot empiece desde la estación base.
- Las mopas se limpiarán antes de que el robot comience a pasar la mopa, espere con paciencia.
- No mueva la estación base, el depósito de agua limpia, el depósito de agua usada o la bandeja de lavar durante su funcionamiento.

#### 2. Lavado automático de la mopa

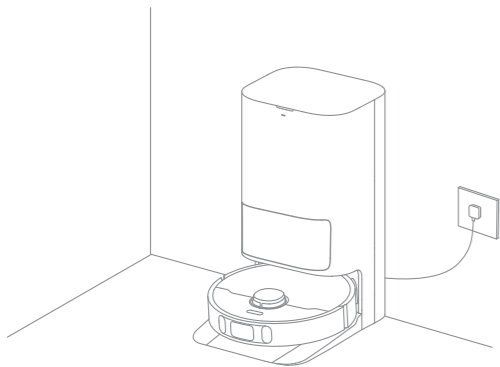
Cuando está limpiando, el robot vuelve automáticamente a la estación base para lavar las mopas en función de la frecuencia de limpieza de mopa especificada en la app.



## Modo de uso

### 3. Vaciar automáticamente la caja de polvo y lavar y secar las mopas

Cuando el robot finaliza una tarea de limpieza y vuelve a la estación base para cargar, la estación base empezará a vaciar automáticamente la caja de polvo. Luego lava y seca las mopas.



#### Nota:

- Si la función de vaciado automático está desactivada en la app, la estación base no vaciará automáticamente la caja de polvo.
- La estación base vaciará la caja de polvo según el ajuste en la app.

### 4. Limpieza del depósito de agua usada

Cuando el robot haya completado su tarea, limpie el depósito de agua usada para evitar olores.

#### Pasar la mopa después de aspirar

Active la función de pasar la mopa después de la función de aspirar en el app y el robot levantará automáticamente el conjunto de mopa en la estación para aspirar el suelo. Después de aspirar, el robot regresa para vaciar la caja de polvo y luego empieza a pasar la mopa automáticamente bajando el conjunto de mopa.

#### Solo aspirar

Active la función de aspirar en el app y el robot levantará automáticamente el conjunto de mopa y empezará a aspirar.

#### Solo mopa

Active la función de pasar la mopa en la app y el robot comprobará si el conjunto de mopa está instalado. Si no es así, instale manualmente el conjunto de mopa, y luego el robot subirá automáticamente el cepillo principal y empezará a pasar la mopa.

## Mantenimiento rutinario

#### Piezas

Para mantener el robot en buenas condiciones, se recomienda consultar el uso de accesorios en la app o en la siguiente tabla de mantenimiento rutinario.

Pieza	Frecuencia de mantenimiento	Frecuencia de sustitución
Depósito de agua usada	Después de cada uso	/
Depósito de agua limpia	Una vez cada 2 semanas	Cada 6 a 12 meses
Cepillo principal		Cada 3 a 6 meses
Filtro de la caja de polvo		
Cepillo lateral		
Soporte de mopa		/
Bandeja de lavar	Una vez al mes	/
Área de señalización de la estación base		
Contactos de carga		
Respiraderos de vaciado automático		
Rueda omnidireccional		
Sensor de bordes		
Sensor láser de distancia (LDS)		
Sensor láser de línea 3D		

Pieza	Frecuencia de mantenimiento	Frecuencia de sustitución
Sensor de Alfombras	Una vez al mes	/
Sensores de precipicio		
Parachoques		
Parte inferior del robot		
Caja de polvo	Limpie cuando sea necesario	
Bolsa de polvo	/	Cada 2 a 4 meses
Mopa		Cada 1 a 3 meses

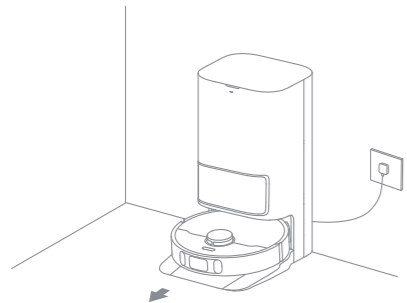
**Nota:** La frecuencia de sustitución dependerá de su uso del robot. Si ocurre una excepción debido a circunstancias especiales, las piezas deben ser sustituidas.



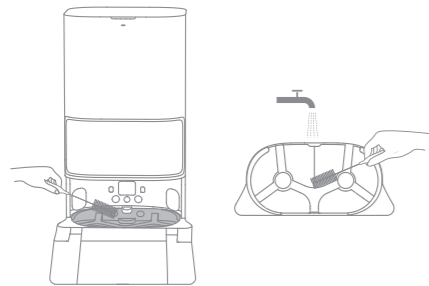
## Mantenimiento rutinario

### Base de la bandeja de lavar

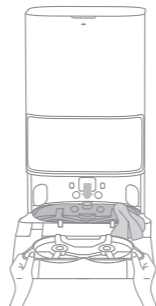
1. Active la función de limpieza de la base de la bandeja de lavar en la app y el robot saldrá automáticamente de la estación base. Saque la bandeja de lavar y espere a que el fondo de la estación base se llene de agua.




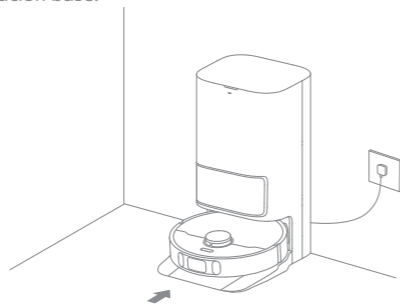
2. Enjuague la bandeja de lavar con agua limpia y use la herramienta de limpieza adecuada para limpiar el fondo de la estación base.



3. Al cabo de un momento, la estación base bombea automáticamente el agua usada. Luego séquela con un paño suave y seco y coloque la bandeja de lavar en su sitio.



4. Use la app o pulse brevemente el botón  en el robot para hacer que vuelva a la estación base.

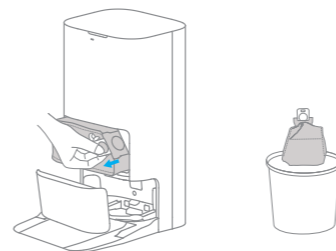


**Nota:** Durante la limpieza, no haga que el robot vuelva a la estación base.

## Mantenimiento rutinario

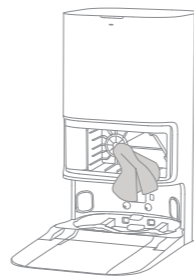
### Bolsa de polvo

1. Retire la cubierta del depósito de polvo y deseche la bolsa de polvo.

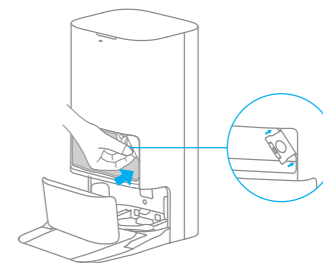


**Nota:** Tirar del tirador hacia arriba sellará la bolsa para evitar que polvo y restos se caigan accidentalmente.

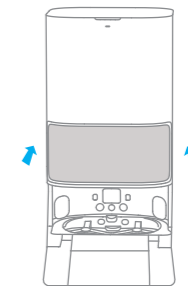
2. Quite el polvo y la suciedad del filtro con un paño seco.



3. Instale una nueva bolsa de polvo.



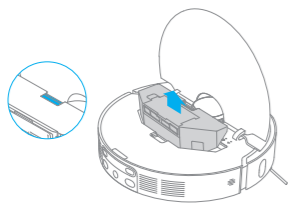
4. Reinstale la cubierta del depósito de polvo.



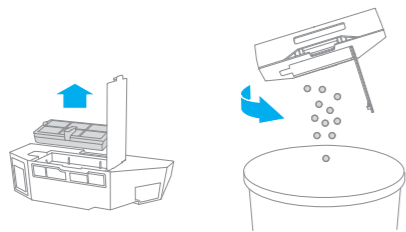
## Mantenimiento rutinario

### Caja de polvo y filtro

1. Abra la cubierta del robot y presione la presilla del recipiente para retirar la caja de polvo.



2. Abra la cubierta de la caja de polvo, retire el filtro y vacíe la caja de polvo como se muestra en el diagrama.

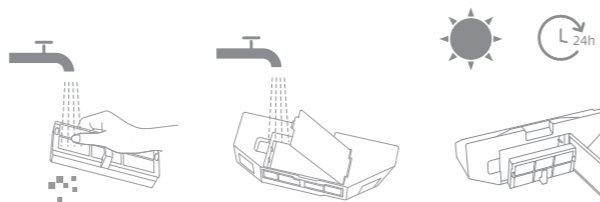


3. Golpee suavemente la canasta del filtro para eliminar la suciedad.



**Nota:** No intente limpiar el filtro con un cepillo, los dedos u objetos afilados para evitar daños.

4. Enjuague la caja de polvo y el filtro con agua y séquelos completamente antes de reinstalar.



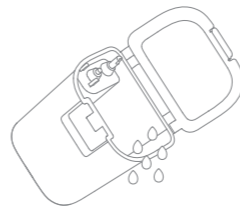
**Nota:**

- Enjuague la caja de polvo y el filtro con agua únicamente. No utilice detergente.
- Use la caja de polvo y el filtro únicamente cuando estén completamente secos.

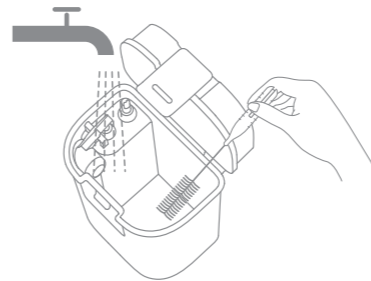
## Mantenimiento rutinario

### Depósito de agua usada

1. Retire el depósito de agua usada, abra su tapa y vierta el agua usada.



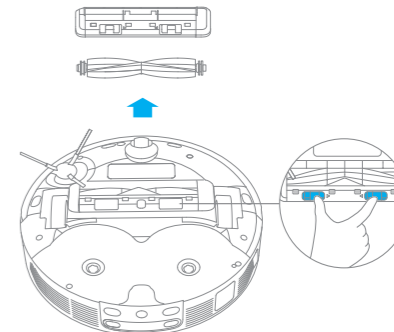
2. Enjuague el depósito de agua usada con agua limpia, y use una herramienta de limpieza adecuada para limpiar la pared interior del depósito de agua usada.



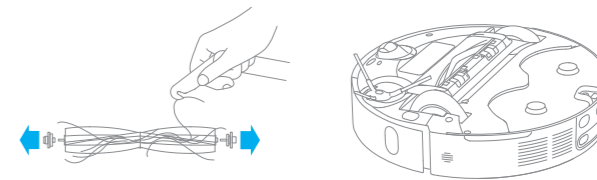
**Nota:** La bola flotante en el depósito de agua usada es una pieza móvil. No aplique demasiada fuerza al limpiarla para evitar dañarla.

### Cepillo principal

1. Presione las presillas del protector de cepillo hacia dentro para quitar el protector de cepillo y sacar el cepillo del robot.



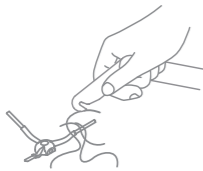
2. Extraiga las cubiertas de cepillo en ambos extremos del cepillo como se muestra en la figura. Use una herramienta de limpieza adecuada para retirar los pelos enredados en el cepillo. Reinstale las cubiertas de cepillo en ambos extremos del cepillo, y luego reinstale el cepillo. Presione sobre el protector de cepillo para bloquearlo en su sitio.



## Mantenimiento rutinario

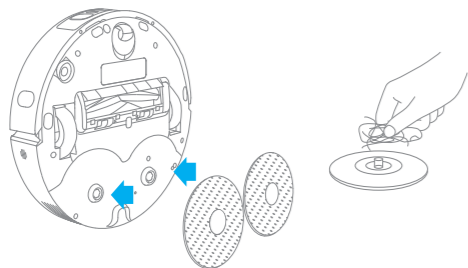
### Cepillo lateral

Retire y limpie el cepillo lateral.

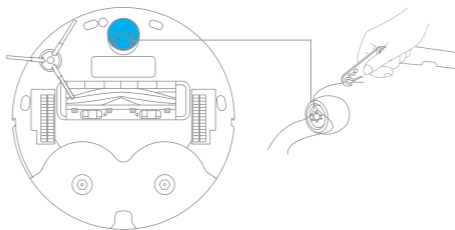


### Soporte de mopa

Retire y limpie el soporte de mopa.



### Rueda omnidireccional



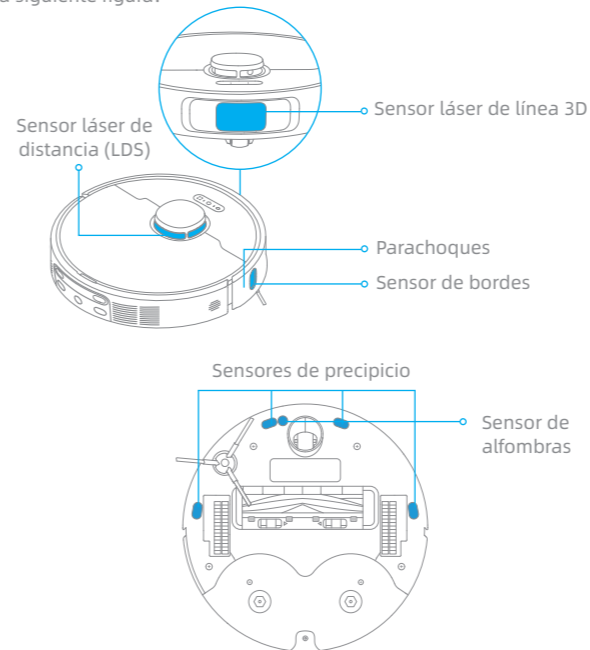
#### Nota:

- Use una herramienta como un pequeño destornillador para separar el eje y el neumático de la rueda omnidireccional. No ejerza excesiva fuerza.
- Enjuague la rueda omnidireccional con agua corriente y vuelva a ponerla después de secarla completamente.

## Mantenimiento rutinario

### Sensores del robot

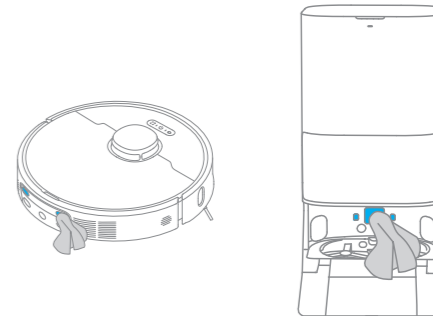
Limpie los sensores del robot usando un trapo suave y seco, como se muestra en la siguiente figura:



**Nota:** Un paño húmedo puede dañar los elementos sensibles dentro del robot y la estación base. Utilice un paño seco para la limpieza.

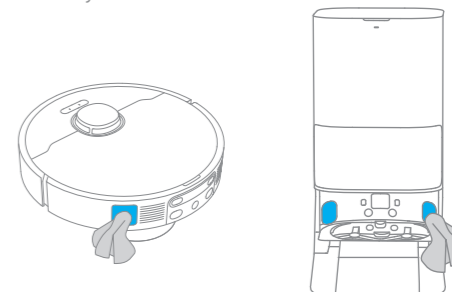
### Contactos de carga y zona de señalización

Limpie los contactos de carga y el área de señalización con un paño suave y seco.



### Respiraderos de vaciado automático

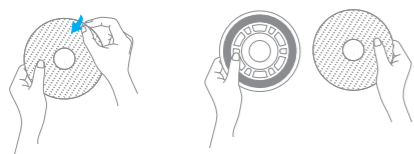
Limpie los respiraderos de vaciado automático del robot y la estación base con un paño suave y seco.



## Mantenimiento rutinario

### Mopa

Retire la mopa del soporte de mopa para sustituirla.






### Batería

El robot cuenta con una batería de iones de litio de alto rendimiento. Asegúrese de que la batería permanezca bien cargada para el uso diario a fin de mantener un rendimiento óptimo. Si el robot se usa durante un periodo de tiempo prolongado, apáguelo y guárdelo. Para evitar daños por descarga excesiva, cargue el robot al menos una vez cada tres meses.

## Resolución de Problemas

Problema	Solución
El robot no se enciende.	La batería tiene poca carga. Recargue el robot en la base de carga y pruebe de nuevo. La temperatura de la batería está demasiado baja o demasiado alta. Se recomienda que el aparato funcione a una temperatura entre 0 °C (32 °F) y 40 °C (104 °F).
El robot no se carga.	La estación base no está conectada a la fuente de alimentación, asegúrese de que ambos extremos del cable de alimentación estén enchufados correctamente. El nivel de contacto entre los contactos de carga de la estación base y el robot es deficiente, por favor limpie los contactos de carga. Verifique si hay algún objeto extraño en el conector del robot y, si lo hay, elimínelo.
El robot no puede conectarse a la red Wi-Fi.	La contraseña de la red Wi-Fi es incorrecta. Asegúrese de que la contraseña utilizada para conectarse a su red Wi-Fi sea correcta. El robot no admite una conexión Wi-Fi de 5 GHz. Asegúrese de que el robot esté conectado a una conexión Wi-Fi de 2,4 GHz. La señal de Wi-Fi es débil. Asegúrese de que el robot esté en un área con buena cobertura Wi-Fi. Es posible que el robot no esté listo para configurarse. Salga de la aplicación y vuelva a entrar, e inténtelo de nuevo según las instrucciones.
El robot no puede encontrar y regresar a la estación base.	La estación base está desconectada de la alimentación o se ha movido cuando el robot no estaba en ella. Conecte la estación base al suministro de energía o coloque el robot sobre la estación base para cargar. Hay demasiadas obstrucciones alrededor de la estación base. Coloque la estación base en un área más abierta. Mover el robot puede hacer que se repositone, y volverá a crear un mapa si el reposicionamiento falla. Si el robot está demasiado lejos de la estación base, es posible que no pueda regresar automáticamente por sí solo, en cuyo caso deberá colocar manualmente el robot en la estación base. Limpie el área de señalización de la estación base para eliminar el polvo o la suciedad.
El robot se atasca delante de la estación base y no puede volver a ella.	Limpie cualquier obstrucción a menos de 5 cm de los lados izquierdo y derecho o menos de 1,5 m delante de la estación base para evitar que el robot quede bloqueado. La ruta de regreso para cargar está bloqueada, por ejemplo la puerta está cerrada. El robot puede resbalarse si el suelo delante de la estación base está demasiado mojado. Si es así, elimine el exceso de agua antes de volver a intentarlo. Se recomienda mover la estación base a un lugar diferente y volver a intentarlo. Asegúrese de que la placa de extensión de rampa esté instalada correctamente.

Problema	Solución
El robot no se apaga.	El robot no se puede apagar cuando está cargando. Se recomienda mover el robot fuera de la estación base y mantener pulsado el botón  durante 3 segundos para apagarlo. Si el robot no se puede apagar con el paso 1, mantenga pulsado el botón  durante 10 segundos para forzar el apagado del robot. Si el problema persiste, contacte con el servicio posventa.
La velocidad de carga es lenta.	Se necesitan aproximadamente 3,5 horas para cargar completamente el robot cuando la batería tiene poca carga. Si utiliza el robot a temperaturas fuera del intervalo especificado, la velocidad de carga disminuirá automáticamente para prolongar la duración de la batería. Los contactos de carga del robot y la base pueden estar sucios, límpielos con un paño seco.
El ruido aumenta mientras el robot está en funcionamiento.	Compruebe si el filtro de la caja de polvo está taponado. Si es así, límpielo o sustitúyalo. Un objeto rígido puede quedar atrapado en el cepillo principal o en la caja de polvo. Compruébelo y retire cualquier objeto duro. El cepillo principal o el cepillo lateral pueden estar enredados. Compruébelo y retire objetos extraños. Cambie el modo de succión a Estándar o Silencio.
El robot se mueve sin seguir la ruta establecida.	Los objetos como cables de alimentación y pantuflas deben mantenerse ordenados antes de usar el robot. Trabajar en superficies resbaladizas provoca que la rueda principal resbale. Se recomienda secar los lugares mojados antes de usar el robot. Limpie el sensor láser de línea 3D del robot con un paño suave y limpio para mantenerlos limpios y desobstruidos.
El robot omite las habitaciones que deben limpiarse.	Asegúrese de que las puertas de las habitaciones a limpiar estén abiertas. Compruebe si hay un umbral superior a aproximadamente 2 cm en la puerta de la habitación. El robot no puede pasar por encima de umbrales o escalones altos. El lugar delante de la sala a limpiar puede estar mojado y resbaladizo, haciendo que el robot resbale y trabaje anormalmente. Seque el suelo antes de usar el robot.

Problema	Solución
El robot no reanuda la limpieza después de la carga.	Asegúrese de que el robot no esté en modo No Molestar (DND), lo que prohibirá que reanude la limpieza. El robot no reanuda la limpieza después de colocarlo manualmente en la estación base o enviarlo a cargar mediante la app o el botón  .
La estación no puede vaciar automáticamente la caja de polvo.	Compruebe si la bolsa de polvo en el depósito está llena. Si la bolsa de polvo no está llena, compruebe si hay obstrucción en los respiraderos de vaciado automático del robot, la estación base o la caja de polvo. Si es así, limpie a tiempo la parte bloqueada.
El nivel de agua en la bandeja de lavar es anómalo.	Compruebe si el sellado del depósito de agua usada está suelto o no está instalado correctamente y, en caso afirmativo, reajústelo manualmente. Si el problema persiste, contacte con el equipo de servicio posventa. Presione suavemente el depósito de agua usada para asegurarse de que esté instalado correctamente. Quite la bandeja de lavar y compruebe si la salida de aguas residuales está bloqueada y límpiela. Compruebe la botella de solución de limpieza. No añada líquido distinto a la solución de limpieza aprobada oficialmente.
El soporte de mopa se sube de manera anómala.	Retire el soporte de mopa para comprobar si hay objetos extraños atascados en él, e intente reiniciar el robot. Si el problema persiste, contacte con el equipo de servicio posventa.
Hay agua debajo del depósito de agua limpia o alrededor de la junta de sellado.	Cuando se extrae el depósito de agua limpia, algo de agua del tubo puede quedar debajo del depósito o alrededor de la junta de sellado. Esto es normal. Restriegue con un trapo seco.

Para obtener más ayuda, contacte con nosotros en <https://mova-tech.com>

## Robot

Modelo	RLE51SE
Tiempo de carga	Aprox. 3,5 horas
Tensión nominal	14,4 V ---
Potencia nominal	75 W
Frecuencia de funcionamiento	2400 - 2483,5 MHz
Potencia máxima de salida	<20 dBm

## Estación base

Modelo	RCEE0301
Entrada nominal	220-240 V~ 50-60 Hz
Salida nominal	20 V --- 2 A
Potencia nominal (durante el vaciado de polvo)	700 W
Potencia nominal (durante la limpieza)	40 W
Potencia nominal (durante la carga y el secado)	89 W

En condiciones normales de uso, este equipo debe mantenerse a una distancia de, al menos, 20 cm entre la antena y el cuerpo del usuario.

**Nota:** La potencia nominal (durante la carga y el secado) se determina por el valor de potencia durante un periodo de carga completa.

## Eliminación y retirada de la batería

La batería de iones de litio integrada contiene sustancias que son peligrosas para el medio ambiente. Antes de eliminar la batería, asegúrese de que la batería sea retirada por técnicos cualificados y desechada en instalaciones de reciclaje apropiadas.

- Se debe retirar la batería del aparato antes de tirarlo;
- el aparato debe desconectarse del suministro eléctrico cuando se retire la batería;
- asegúrese de desechar la batería de forma segura.

**PRECAUCIÓN:**

Antes de retirar la batería, desconecte la alimentación y agote la batería al máximo.

Las baterías no necesarias se deben desechar en instalaciones de reciclaje apropiadas.

No la esponga a ambiente de alta temperatura para evitar riesgos de explosión.

En condiciones abusivas, el líquido puede ser expulsado de la batería. Si ocurre un contacto, enjuague con agua y busque ayuda médica.

**Guía de retirada:**

1. Voltee el robot, use una herramienta apropiada para retirar los tornillos de la parte posterior del robot, y luego retire la cubierta.
2. Desenchufe los terminales entre la batería y la placa PCB para retirar la batería.

**Información RAEE**

Todos los productos que llevan este símbolo son residuos de aparatos eléctricos y electrónicos (RAEE según la directiva 2012/19/UE) que no deben mezclarse con residuos domésticos sin clasificar. En cambio, debe proteger la salud humana y el medio ambiente entregando sus residuos de aparatos a un punto de recogida designado para el reciclaje de basura de aparatos eléctricos y electrónicos, nombrado por el gobierno o las autoridades locales. Una correcta eliminación y reciclaje ayudarán a impedir potenciales consecuencias negativas al medio ambiente y la salud humana. Contacte con el instalador o las autoridades locales para más información acerca de la ubicación así como términos y condiciones de tales puntos de recogida.

## Informacje o bezpieczeństwie

Celem niedopuszczenia do porażenia prądem elektrycznym, pożaru lub obrażeń spowodowanych niewłaściwym użytkowaniem urządzenia, przed jego użyciem należy uważnie zapoznać się z treścią obsługi oraz zachować ją na wypadek konieczności skorzystania z niej w przyszłości.

### Ograniczenia użytkowania

- Z niniejszego urządzenia nie powinny korzystać dzieci w wieku poniżej 8 lat ani osoby o ograniczonych możliwościach fizycznych, zmysłowych lub intelektualnych, ani osoby o niewystarczającym doświadczeniu lub wiedzy, chyba że znajdują się pod nadzorem rodzica lub opiekuna. Dzieci pozostające bez nadzoru nie mogą czyścić urządzenia ani dokonywać czynności konserwacyjnych.
- Urządzenie należy używać tylko wraz z modułem zasilania, z nim dostarczanym.
- To urządzenie zawiera baterie, które mogą być wymieniane tylko przez personel o odpowiednich umiejętnościach.
- Uprzątnij teren, który ma być czyszczony. Nie wolno zezwalać, by dzieci używały urządzenia do zabawy. Dbaj o to, by dzieci i zwierzęta domowe pozostawały w bezpiecznej odległości od robota podczas jego pracy.
- Nie instaluj, nie ładuj ani nie używaj urządzenia w łazienkach ani wokół basenów.
- Niniejszy produkt przeznaczony jest wyłącznie do czyszczenia podłóg w warunkach domowych. Nie należy z niego korzystać na wolnym powietrzu, do czyszczenia powierzchni innych niż podłogi, ani w obiektach komercyjnych lub przemysłowych.
- Upewnij się, czy urządzenie działa poprawnie we właściwym otoczeniu. W przeciwnym razie nie używaj urządzenia.

## Informacje o bezpieczeństwie

### Ograniczenia użytkowania

- Jeżeli kabel zasilania jest uszkodzony, należy go zastąpić specjalnym przewodem lub zespołem dostępnym u producenta, lub u jego przedstawiciela serwisowego.
- Nie używaj robota w miejscach zawieszonych ponad poziomem gruntu, bez bariery ochronnej.
- Nie ustawiaj robota kołami do góry. Nie używaj pokrywy LDS, pokrywy robota ani zderzaka w charakterze uchwytu.
- Używaj robota w środowiskach, gdzie temperatura otoczenia wynosi powyżej 0°C i poniżej 40°C. Dbaj o to, by na podłodze nie było cieczy ani substancji lepkich.
- Aby uniknąć uszkodzenia lub szkód wskutek włączenia, usuń wszelkie luźne przedmioty z podłogi, usuń kable i przewody zasilające z drogi, zanim uruchomisz urządzenie.
- Usuń wrażliwe lub małe przedmioty z podłogi, aby zapobiec obijaniu się o nie robota oraz ich uszkodzeniu.
- Włosów, palców i innych części ciała nie wolno zbliżać do otworu ssącego robota.
- Narzędzie do sprzątania należy przechowywać w miejscu niedostępnym dla dzieci.
- Nie używaj urządzenia w pomieszczeniu, gdzie przebywa śpiące niemowlę lub dziecko.
- Dzieci, zwierząt domowych ani żadnego przedmiotu nie stawiaj na robocie, bez względu na to, czy jest on nieruchomy, czy się porusza.

## Informacje o bezpieczeństwie

### Ograniczenia użytkowania

- Tylko czystą wodę i oficjalnie zaaprobowane roztwory czyszczące można dodawać do zbiornika na wodę czystą. Nie dodawaj żadnej cieczy, jak alkohol lub środek dezynfekcyjny. Proporcję między roztworem czyszczącym do czystej wody można sprawdzić na butelce z roztworem. Środki czyszczące należy przechowywać w miejscu niedostępnym dla dzieci.
- Nie używaj robota do sprzątania palących się przedmiotów. Nie używaj robota do zbierania cieczy zapalnych ani palnych, żrących cieczy, nierozcieńczonych kwasów ani rozpuszczalników.
- Nie odkurzaj twardych ani ostrych przedmiotów. Nie używaj urządzenia do zbierania przedmiotów takich, jak kamienie, duże kawałki papieru lub inne, które mogłyby zatkać urządzenie.
- Wtyczkę należy wyjąć z gniazdka elektrycznego przez czyszczeniem lub serwisowaniem urządzenia.
- Nie wycieraj robota ani stacji bazowej mokrą ścierką ani nie zmywaj żadną cieczą. Po wyczyszczeniu wszystkich elementów, które można umyć, przed ich ponownym zamontowaniem i użyciem należy je dokładnie wysuszyć.
- Używaj tego urządzenia zgodnie z zaleceniami zawartymi w instrukcji obsługi. Użytkownicy ponoszą odpowiedzialność za wszelkie straty lub uszkodzenia wynikłe z nieprawidłowego użycia produktu.

### Baterie i ładowanie

- Nie używaj akumulatora ani stacji dokującej innych producentów. Robot może być używany tylko ze stacją bazową modelu RCEE0301.
- Nie próbuj na własną rękę demontować, naprawiać ani modyfikować akumulatora lub stacji bazowej.

## Informacje o bezpieczeństwie

### Baterie i ładowanie

- Nie ustawiaj stacji bazowej w pobliżu źródła ciepła.
- Nie używaj mokrej ściereczki ani mokrych rąk do czyszczenia styków ładowania stacji bazowej.
- Zużytych akumulatorów nie likwiduj w sposób nieodpowiedni. Niepotrzebne akumulatory należy poddać utylizacji w odpowiednim zakładzie recyklingowym.
- W razie uszkodzenia lub zerwania kabla zasilania zaprzestań niezwłocznie używania wyrobu i skontaktuj się z serwisem posprzedażnym.
- Upewnij się, czy robot jest wyłączony na czas transportu, w miarę możliwości przechowywany w oryginalnym opakowaniu.
- Jeżeli robot nie będzie używany przez dłuższy czas, w pełni naładuj go, wyłącz i złóż w chłodnym, suchym miejscu. Akumulator należy naładować przynajmniej raz na 3 miesiące, dzięki czemu nie dopuści się do jego nadmiernego rozładowania.

### Informacja o bezpieczeństwie laserowym

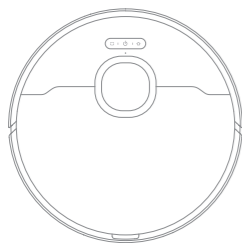
- Czujnik laserowy w tym produkcie spełnia normę IEC 60825-1:2014/EN 60825-1:2014/A11:2021 dla produktów laserowych Klasy 1. Promienia laserowego nie wolno kierować bezpośrednio w stronę oczu.

PRODUKT LASEROWY KLASY 1  
KONSUMENCKI PRODUKT LASEROWY  
EN 50689:2021

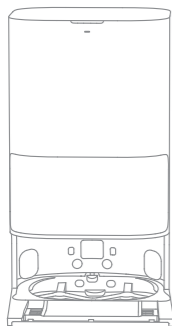
Niniejszym firma Dreame Trading (Tianjin) Co., Ltd. oświadcza, że urządzenie radiowe typu RLE51SE spełnia wymogi Dyrektywy 2014/53/UE. Pełny tekst Deklaracji Zgodności UE jest dostępny pod następującym adresem internetowym: <https://mova-tech.com> Szczegółowy e-podręcznik, patrz <https://www.mova-tech.com/pages/user-manuals-and-faqs>



Zawartość opakowania



Robot

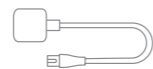


Stacja bazowa

Inne akcesoria



Szczotka boczna



Kabel zasilania



Podręcznik użytkownika



Płytkę wydłużającą rampę stacji bazowej



Podkładka mopa x 2 (wstępnie zainstalowana)

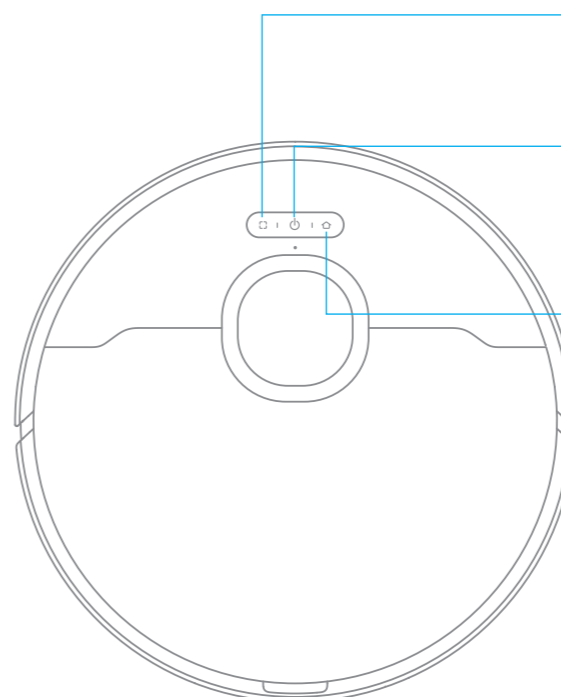


Uchwyt podkładki mopa x 2



Worek na kurz (wstępnie zainstalowana)

Robot



**Przycisk czyszczenia punktowego**  
 · Wciśnij, aby rozpocząć czyszczenie punktowe

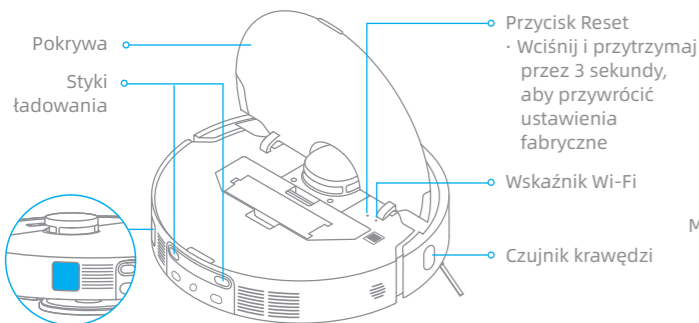
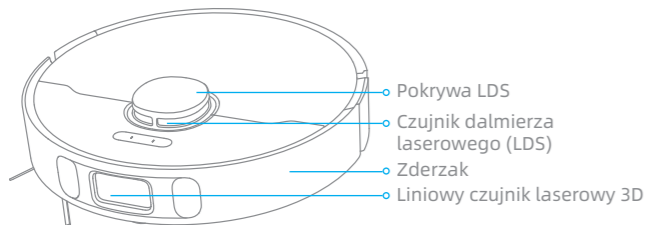
**Przycisk Zasilanie / Czyszczenie**  
 · Wciśnij i przytrzymaj przez 3 sekundy, aby włączyć lub wyłączyć  
 · Wciśnij, aby rozpocząć czyszczenie po włączeniu robota

**Przycisk dokowania**  
 · Wciśnij, aby odesłać robot do stacji bazowej  
 · Wciśnij i przytrzymaj przez 3 sekundy, aby dezaktywować Blokadę rodzicielską

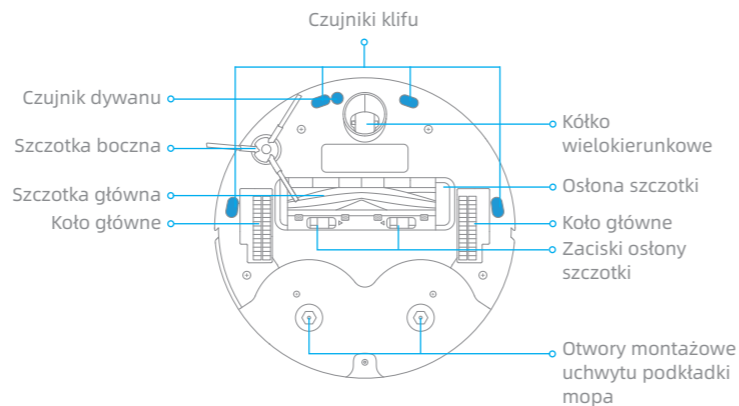
**Wskaźnik stanu**  
 · Ciągły biały: czyszczenie lub sprzątnięcie zakończone  
 · Ciągły biały: ładowanie (akumulator nie jest rozładowany)  
 · Ciągły pomarańczowy: gotowość lub pauza przy niskim poziomie naładowania akumulatora  
 · Ciągły pomarańczowy: ładowanie (niski stan naładowania akumulatora)  
 · Migający pomarańczowy: błąd

**Uwaga:**  
 · Wciśnij dowolny przycisk w robocie, aby pauzować, gdy ten sprząta, lub powraca do ładowania.  
 · Blokadę rodzicielską można włączyć/wyłączyć w aplikacji.

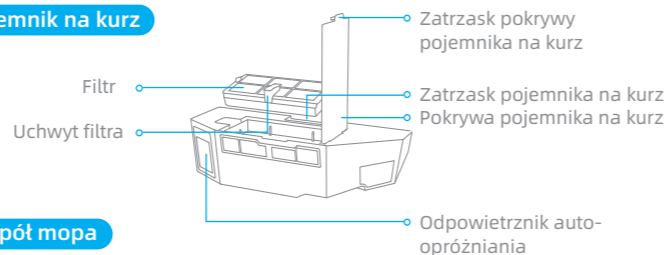
## Robot i czujniki



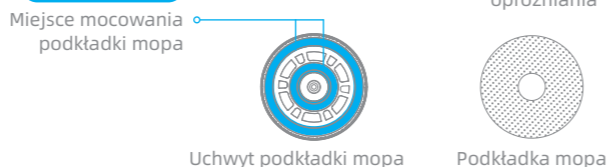
Odpowietrznik auto-oprózniczenia



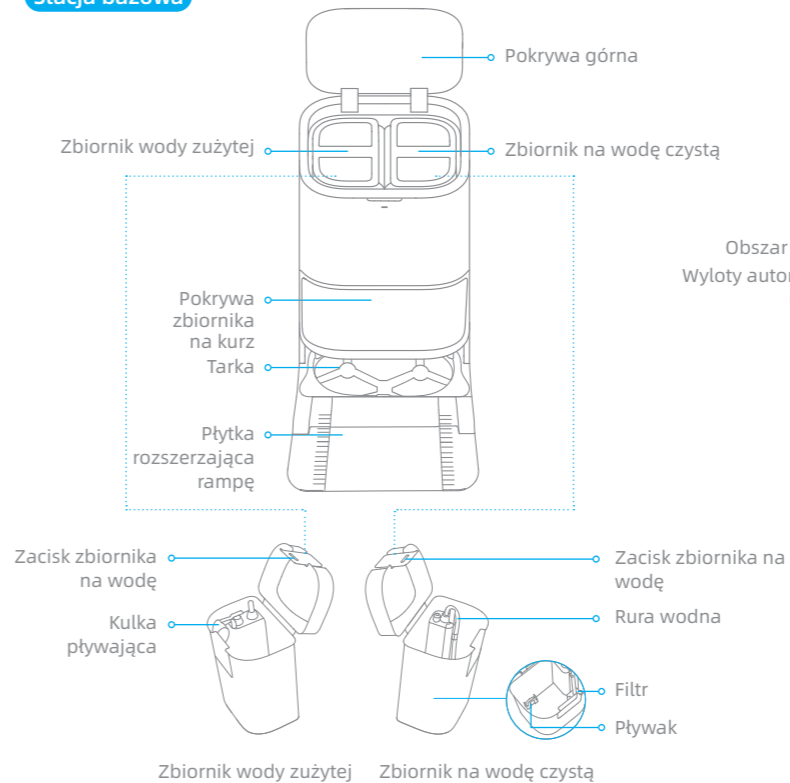
## Pojemnik na kurz



## Zespół mopa

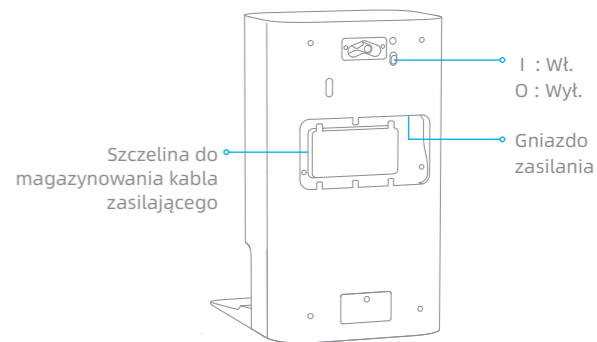
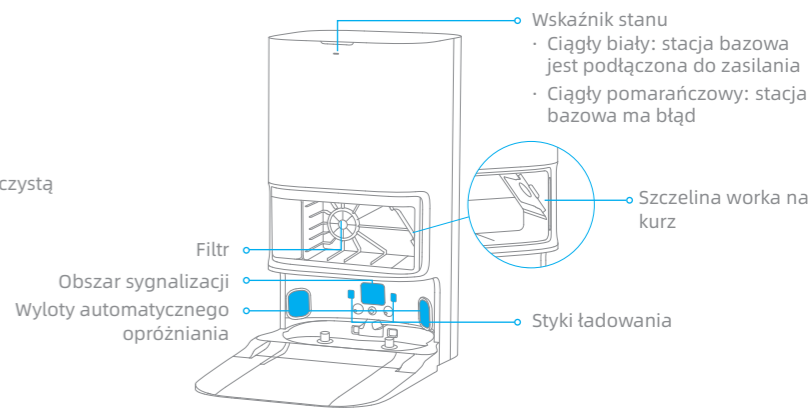


## Stacja bazowa



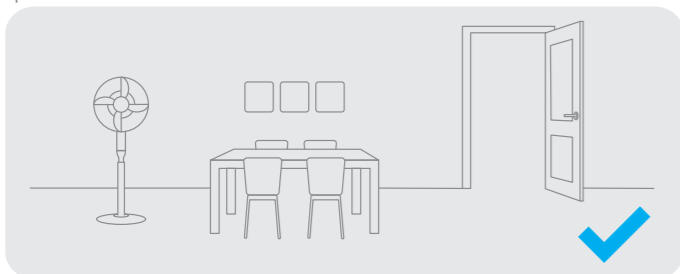
Zbiornik wody zużytej

Zbiornik na wodę czystą





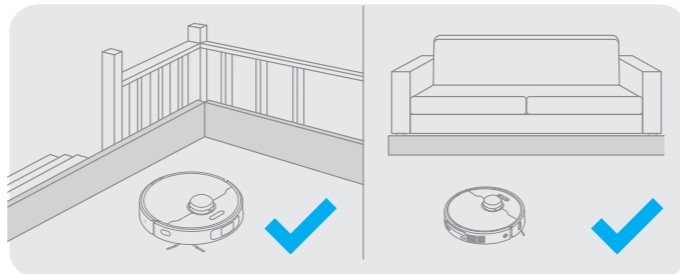
Przed czyszczeniem usuń z podłoża przedmioty niestabilne, kruche, cenne lub niebezpieczne, a kable, odzież, zabawki, przedmioty twarde i ostre uporządkuj, aby uniknąć zaplątania, porysowania lub uderzenia o robota i spowodowania strat.



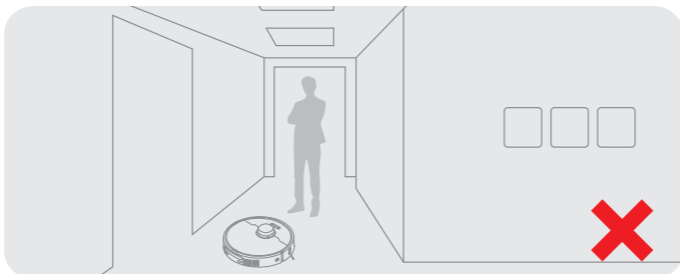
Otwórz drzwi pomieszczenia do sprzątania i ustaw meble we właściwym miejscu, aby zostawić więcej przestrzeni.

#### Uwaga:

- Uruchamiając robota po raz pierwszy śledź go wokół podczas sprzątania, aby na czas usuwać ewentualne przeszkody.
- Nie odkurzaj twardych przedmiotów, jak kamienie, kulki stalowe i części zabawek ani twardych przedmiotów, jak gruz, potłuczone szkło, gwoździe, w przeciwnym razie może dojść do porysowania podłoża.



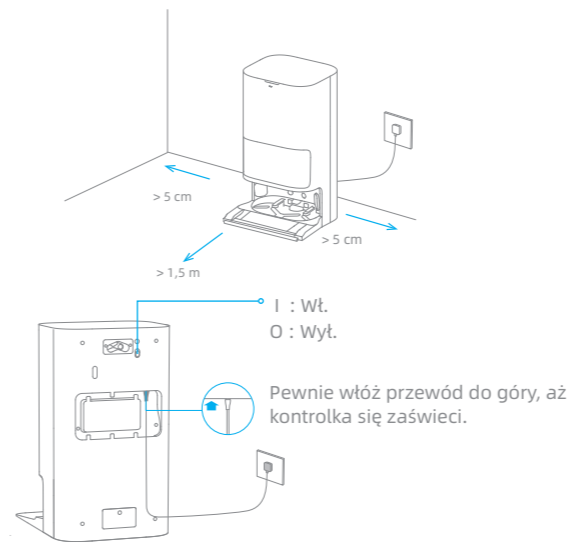
Przed sprzątaniem ustaw barierę fizyczną na krawędzi schodów i sofę, aby zapewnić bezproblemowe działanie robota.



Aby uchronić robota przed nierozpoznanymi miejscami wymagającymi sprzątania, nie stawaj przed nim, przed progiem, korytarzem lub wąskimi miejscami.

### 1. Ustaw stację bazową i podłącz do gniazdka elektrycznego

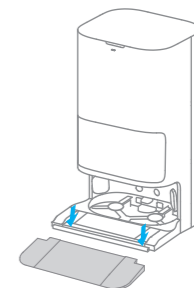
Umieść stację bazową w miejscu maksymalnie otwartym, z dobrym sygnałem Wi-Fi. Usuń wszelkie objekty, które są bliższe stacji bazowej niż 1,5 m od przodu i 5 cm od każdego z jej boków. Następnie wtóż przewód zasilający do stacji bazowej i wetknij wtyczkę do gniazdka.



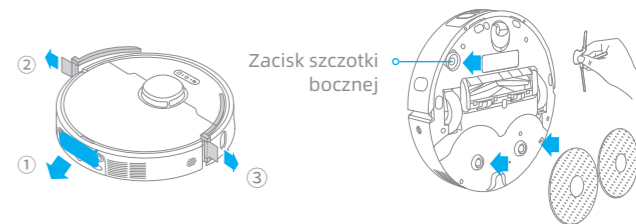
#### Uwaga:

- Upewnij się, czy żaden obiekt nie będzie blokować obszaru sygnalizacyjnego.
- Aby zapobiec zamoczeniu podłóg drewnianych lub dywanów, zalecane jest umieszczanie stacji bazowej na płytkach ceramicznych lub marmurowych.


### 2. Zainstaluj płytkę przedłużającą rampy

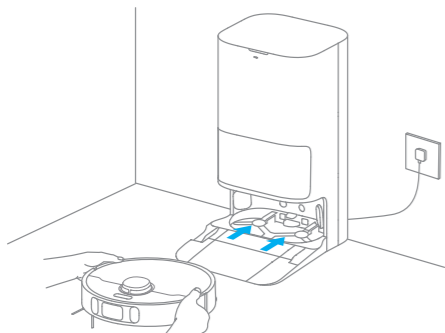


### 3. Usuń zabezpieczenie robota i zainstaluj szczotkę boczną oraz zespół mopa



#### 4. Podłącz robota do stacji bazowej

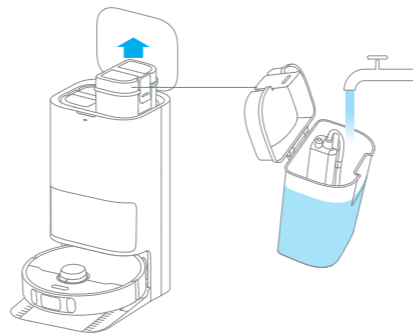
Wciśnij i przytrzymaj przez 3 sekundy przycisk  w robocie, aby go włączyć. Umieść robota w stacji bazowej z zespołem mopa zwróconym w kierunku tarki. Wówczas usłyszysz instrukcję głosową, gdy robot pomyślnie połączy się ze stacją bazową.



**Uwaga:** Zaleca się pełne naładowanie robota przed jego pierwszym użyciem. Gdy robot nie może być włączony po wyczerpaniu się baterii, ręcznie połącz go ze stacją bazową i naładuj.

#### 5. Dodaj wody do zbiornika wody czyszczącej

Wyjmij zbiornik na czystą wodę ze stacji bazowej i napełnij go czystą wodą. Następnie zainstaluj go na powrót w stacji bazowej.

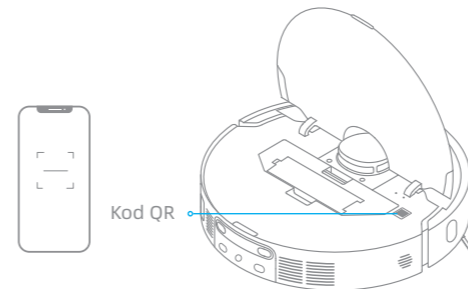


**Uwaga:** Nie dodawaj gorącej wody do zbiornika, gdyż może to spowodować jego odkształcenie.

## Łączenie z aplikacją

#### 1. Pobieranie aplikacji

Skanuj kod QR na robocie, aby pobrać i zainstalować aplikację.



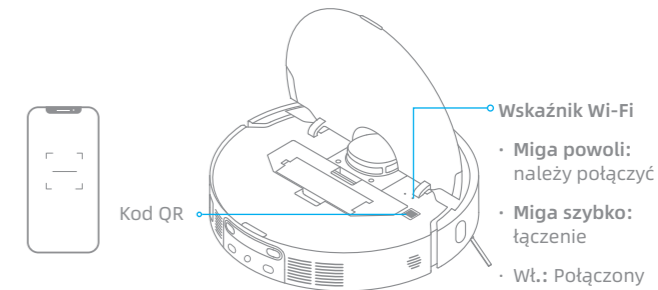
**Uwaga:**

- Obsługiwane jest tylko Wi-Fi 2,4 GHz.
- Ze względu na aktualizacje w oprogramowaniu aplikacyjnym faktyczne operacje mogą odbiegać od instrukcji w tym podręczniku. Stosuj się do instrukcji w oparciu o bieżącą wersję aplikacji.

#### 2. Dodawanie urządzenia



Otwórz aplikację, stuknij pozycję „Zeskanuj kod QR, aby się połączyć” i zeskanuj ten sam kod QR na robocie ponownie, aby dodać urządzenie. Stosuj się do wyświetlanych instrukcji, aby ukończyć połączenie Wi-Fi.

**Uwaga:** Jeżeli chcesz resetować Wi-Fi, powtórz krok 2 a następnie stosuj się do wyświetlanych instrukcji, aby ukończyć połączenie Wi-Fi.



## Sposób użytkowania

### Włączanie/wyłączanie

Wciśnij i przytrzymaj przez 3 sekundy przycisk , co spowoduje włączenie robota. Wskaźnik zasilania powinien podświetlić się. Umieść robota na stacji bazowej, powinien on włączyć się automatycznie i rozpocząć ładowanie. Aby wyłączyć robot, odsuń go od stacji bazowej i wciśnij przycisk  i przytrzymaj go przez 3 sekundy.

### Szybkie mapowanie

Skonfigurowawszy sieć po raz pierwszy stosuj się do instrukcji w aplikacji, aby szybko utworzyć mapę. Robot rozpocznie mapowanie bez czyszczenia. Gdy robot powróci do stacji bazowej, proces mapowania jest zakończony, a mapa zostanie automatycznie zapisana.

### Pauza/uśpienie

Gdy robot pracuje, wciśnij dowolny przycisk, aby go spauzować. Jeżeli robot nie pracuje dłużej niż 10 minut, automatycznie wchodzi w tryb uśpienia. Wszystkie wskaźniki w robocie wyłączą się. Wciśnij dowolny przycisk w robocie bądź użyj aplikacji, aby go obudzić.

**Uwaga:** Jeżeli robot jest spauzowany i umieszczony w stacji bazowej, proces bieżącego czyszczenia zakończy się.

### Auto-wznawianie czyszczenia

Jeżeli akumulator jest bliski rozładowania, robot automatycznie powróci do stacji bazowej w celu ładowania. Po doładowaniu do odpowiedniego poziomu, robot wznowi niedokończone zadania czyszczenia.

**Uwaga:** Aby skorzystać z tej funkcji, aktywuj ją w aplikacji.


### Tryb Nie przeszkadzać (DND)

Gdy robot jest ustawiony na tryb Nie Przeszkadzać (DND), nie wznowi sprzątnięcia, a kontrolka zasilania zgaśnie. Tryb DND jest domyślnie dezaktywowany w fabryce. Możesz użyć aplikacji do aktywacji trybu DND lub zmodyfikować okres DND. Domyślnie okres DND wynosi 22:00-8:00.



**Uwaga:**

- W okresie DND zaplanowane zadania sprzątnięcia nie będą wykonywane.
- Robot wznowi sprzątnięcie po upływie okresu DND.

### Czyszczenie punktowe

Gdy robot jest w trybie gotowości, krótkotrwale naciśnij przycisk , co spowoduje włączenie trybu czyszczenia punktowego. W tym trybie robot czyści obszar kwadratowy 1,5 x 1,5 metra wokół i powraca do punktu początkowego, zakończywszy czyszczenie punktowe.

### Ponowne uruchamianie robota


Jeżeli robot przestaje reagować lub nie może się wyłączyć, wciśnij przycisk  i przytrzymaj go przez 10 sekund, co spowoduje wymuszone wyłączenie urządzenia. Następnie wciśnij i przytrzymaj przycisk  przez 3 sekundy, co spowoduje włączenie robota.

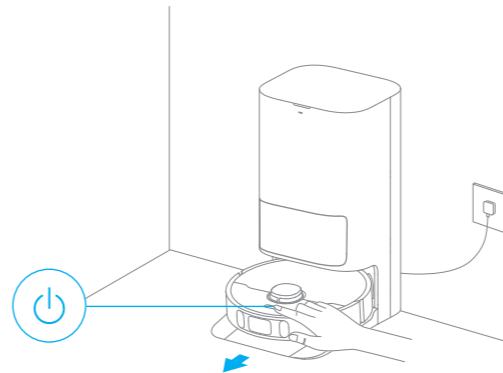
## Sposób użytkowania

### Odkurzenie i mopowanie

**Uwaga:** Używając zespołu mopa po raz pierwszy robot wykonuje domyślne zadanie „Odkurzenie i mopowanie”.

#### 1. Start czyszczenia

Wciśnij przycisk  w robocie lub posłuż się aplikacją, aby uruchomić robot ze stacji bazowej. Następnie robot zaplanuje optymalną trasę czyszczenia i wykona to zadanie w oparciu o stworzoną mapę.

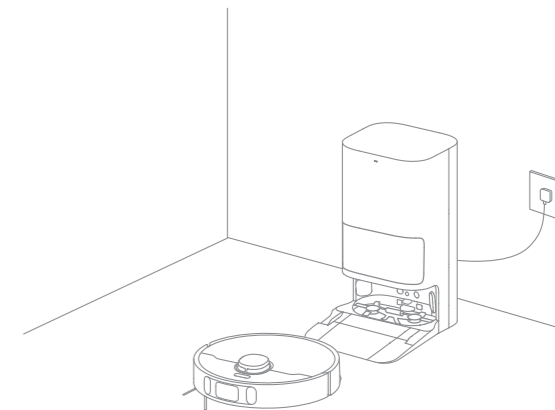


**Uwaga:**

- Aby zapewnić łatwy powrót robota do stacji bazowej po czyszczeniu, zaleca się jego uruchamianie ze stacji bazowej.
- Podkładki mopa będą czyszczone przed rozpoczęciem mopowania przez robota, czekaj cierpliwie.
- Podczas pracy nie poruszaj stacją bazową, zbiornikiem czystej wody, zbiornikiem wody użytej ani tarką.

#### 2. Automatyczne pranie mopa

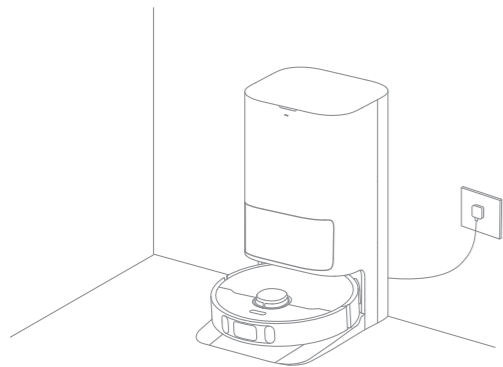
Podczas sprzątnięcia robot będzie automatycznie powracał do stacji bazowej, aby wyprać ścierki mopa w oparciu o częstotliwość jej użycia określoną w aplikacji.



## Sposób użytkowania

### 3. Automatyczne opróżnianie pojemnika na kurz oraz pranie i suszenie nakładki mopa

Gdy robot zakończy zadanie czyszczenia i powróci do stacji bazowej celem ładowania, stacja automatycznie opróżni pojemnik na kurz. Następnie umyje i wysuszy ścierki mopa.



#### Uwaga:

- Jeżeli funkcja auto-opróżniania jest wyłączona w aplikacji, stacja bazowa nie będzie automatycznie opróżniać pojemnika na kurz.
- Stacja bazowa będzie opróżniać pojemnik na kurz zgodnie z ustawieniami w aplikacji.

### 4. Oczyszczyć zbiornik zużytej wody

Gdy robot zakończy zadanie, umyj pojemnik ze użytą wodą, aby zapobiec powstawaniu zapachu.

#### Mopowanie po odkurzeniu

Aktywuj funkcję mopowania po odkurzeniu, a robot automatycznie uniesie zespół mopa, aby odkurzać podłogę. Zakończywszy odkurzenie robot powróci, aby opróżnić pojemnik na kurz, następnie uruchomi mopowanie automatycznie obniższy zespół mopa.

#### Tylko odkurzanie

Aktywuj funkcję odkurzania w aplikacji, a robot automatycznie uniesie zespół mopa i rozpocznie odkurzanie podłogi.

#### Tylko mopowanie

Aktywuj funkcję mopowania w aplikacji, a robot sprawdzi, czy jest zainstalowany zespół mopa. Jeżeli nie, zainstaluj ręcznie zespół mopa, robot wtedy automatycznie rozpocznie mopowanie.

## Rutynowa konserwacja

#### Części

Aby utrzymać robota w dobrym stanie, zaleca się sprawdzanie użytkowania akcesoriów w aplikacji lub następującej tabeli w kwestii planowej konserwacji.

Część	Częstotliwość konserwacji	Okres wymiany
Zbiornik wody zużytej	Po każdym użyciu	/
Zbiornik na wodę czystą	Raz na 2 tygodnie	Co 6 do 12 miesięcy
Szczotka główna		Co 3 do 6 miesięcy
Filtr pojemnika na kurz		
Szczotka boczna		/
Uchwyt podkładki mopa		/
Tarka	Raz na miesiąc	/
Obszar sygnalizacyjny stacji bazowej		
Styki ładowania		
Wyloty automatycznego opróżniania		
Kółko wielokierunkowe		
Czujnik krawędzi		
Czujnik dalmierza laserowego (LDS)		
Liniowy czujnik laserowy 3D		

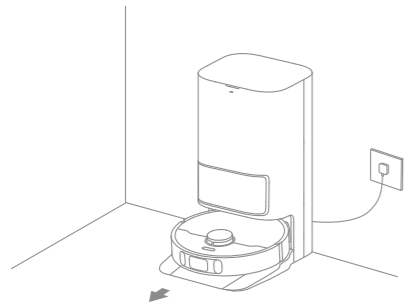
Część	Częstotliwość konserwacji	Okres wymiany
Czujnik dywanu	Raz na miesiąc	/
Czujniki klifu		
Zderzak		
Dno robota		
Pojemnik na kurz	Czyść w miarę potrzeby	
Worek na kurz	/	Co 2 do 4 miesięcy
Podkładka mopa	/	Co 1 do 3 miesięcy

**Uwaga:** Częstotliwość wymiany zależy od użytkowania robota. W razie wystąpienia wyjątku ze względu na szczególne okoliczności, części należy wymienić.

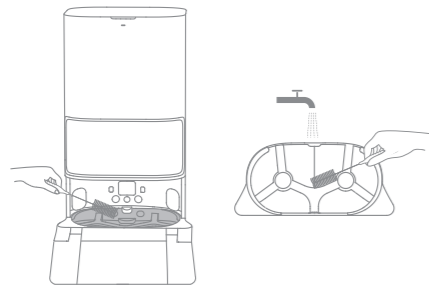
## Rutynowa konserwacja

### Podstawa tarki

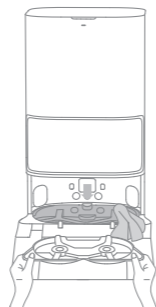
1. Aktywuj funkcję czyszczenia podstawy tarki w aplikacji, robot opuści stację bazową automatycznie. Wyjmij tarkę i odczekaj, aż woda napętni dół stacji bazowej.



2. Wypłucz tarkę czystą wodą, narzędziem do czyszczenia wyczyść dno stacji bazowej.



3. Po chwili stacja bazowa automatycznie wypompuje użytą wodę. Następnie wysusz ją miękką i suchą ściereczką, włóż tarkę z powrotem na miejsce.



4. Posłuż się aplikacją lub krótkotrwałe wciśnij przycisk  na robocie, aby powrócił do stacji bazowej.

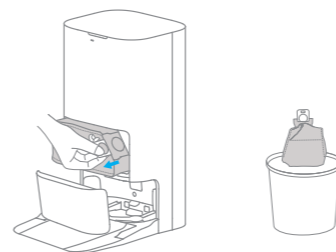


**Uwaga:** Podczas sprzątania nie należy wydawać robotowi poleceń powrotu do stacji bazowej.

## Rutynowa konserwacja

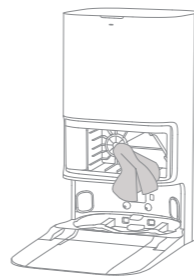
### Worek na kurz

1. Zdejmij pokrywę zbiornika na kurz i wyrzuć worek.

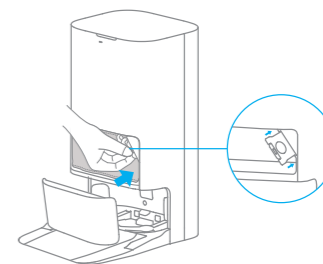


**Uwaga:** Pociągnięcie do góry za uchwyt uszczelni worek na kurz, aby zapobiec przypadkowemu wypadaniu jego i śmieci.

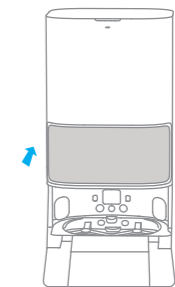
2. Kurz i śmieci z filtra usuwaj suchą ściereczką.



3. Zainstaluj nowy worek na kurz.



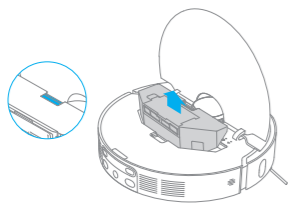
4. Zainstaluj na powrót pokrywę zbiornika.



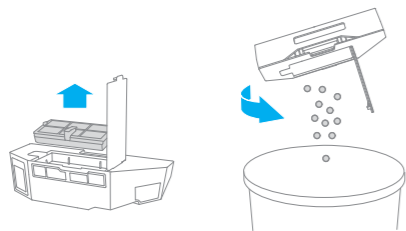
## Rutynowa konserwacja

### Pojemnik na kurz i filtr

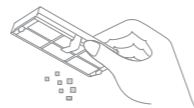
1. Otwórz pokrywę robota i wciśnij zatrzask pojemnika na kurz, aby go wyjąć.



2. Otwórz pokrywę pojemnika na kurz, wyjmij filtr i opróżnij pojemnik, jak przedstawiono na ilustracji.

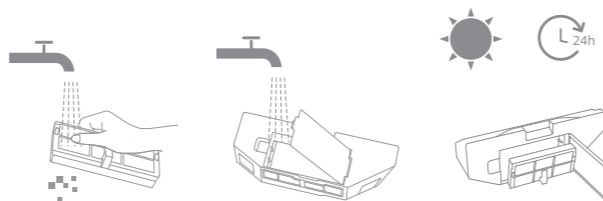


3. Delikatnie stukaj w kosz filtra, aby usunąć brud.



**Uwaga:** Nie próbuj czyścić filtra szczotką, palcem ani ostrymi przedmiotami, gdyż grozi to jego uszkodzeniu.

4. Wypłucz wodą pojemnik na kurz i filtr, wysusz je całkowicie przed ponownym zainstalowaniem.



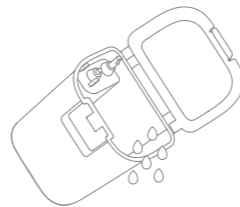
**Uwaga:**

- Pojemnik na kurz i filtr płucz tylko czystą wodą. Nie używaj detergentu.
- Pojemnik na kurz i filtr używaj dopiero po całkowitym wyschnięciu.

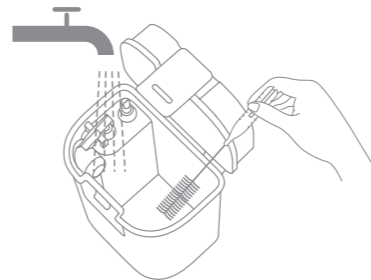
## Rutynowa konserwacja

### Zbiornik wody zużytej

1. Wyjmij zbiornik na zużytą wodę, otwórz pokrywę i wylej zawartość.



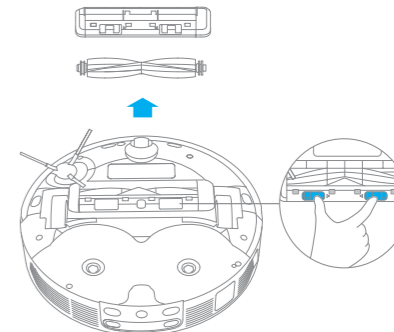
2. Czystą wodą wypłucz zbiornik używanej wody, wykorzystując dostarczone narzędzie do czyszczenia ściany wewnętrznej zbiornika.



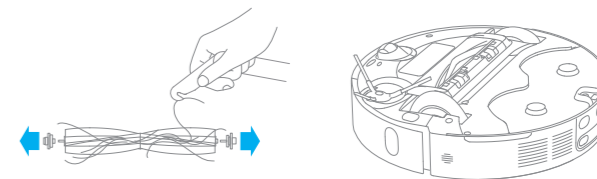
**Uwaga:** Pływająca kula w zbiorniku użytej wody jest częścią ruchomą. Nie wywieraj nadmiernej siły czyszcząc ją, aby uniknąć uszkodzenia jej.

### Szczotka główna

1. Wciśnij zatrzaski ostony szczotki do środka, aby wyjąć ostonę, wyjmij szczotkę z robota.



2. Wyciągnij ostony szczotki na obu końcach szczotki, jak przedstawiono na rysunku. Zastosuj właściwe narzędzie do czyszczenia, aby usunąć włosy wplątane w szczotkę. Ponownie załóż pokrywę szczotki na obu jej końcach, a następnie samą szczotkę. Wciśnij ochraniacz szczotki, aby ją zablokować na miejscu.

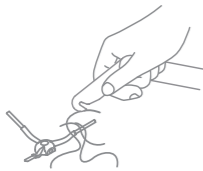




## Rutynowa konserwacja

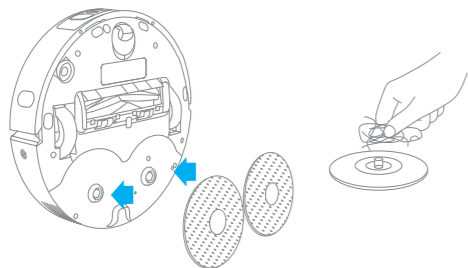
### Szczotka boczna

Wyjmij i oczyść szczotkę boczną.

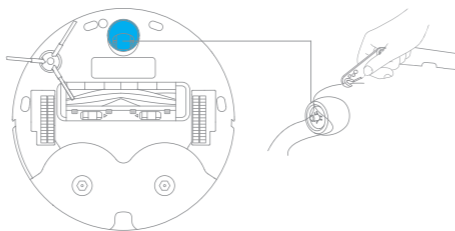


### Uchwyt podkładki mopa

Wyjmij i umyj uchwyt podkładki mopa.



### Kółko wielokierunkowe



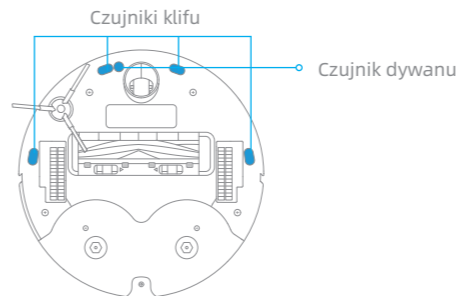
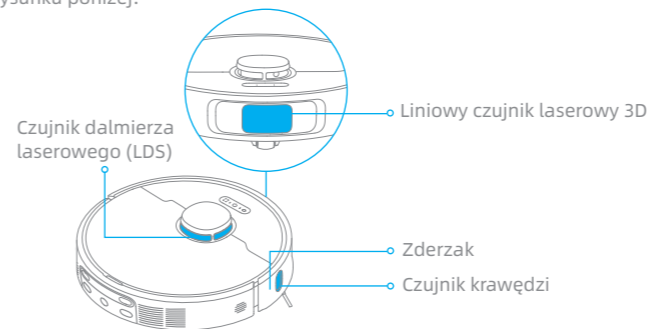
#### Uwaga:

- Małym śrubokrętem oddziel oś od opony kółka wielokierunkowego. Nie wywieraj nadmiernej siły.
- Wypucz kółko wielokierunkowe pod bieżącą wodą i zatóż z powrotem po całkowitym wysuszeniu.

## Rutynowa konserwacja

### Czujniki robota

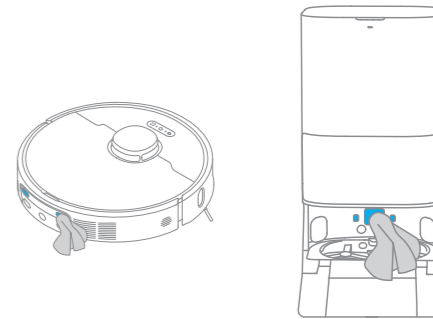
Czujniki robota wycieraj miękką i suchą ściereczką, jak przedstawiono na rysunku poniżej:



**Uwaga:** Mokra ścierka może uszkodzić czułe elementy robota i stacji bazowej. Do czyszczenia używaj suchej ściereczki.

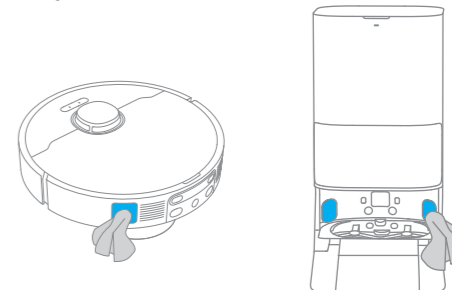
### Styki ładowania i pole sygnalizacyjne

Styki ładowania i pole sygnalizacyjne czyść miękką, suchą ściereczką.



### Wyloty automatycznego opróżniania

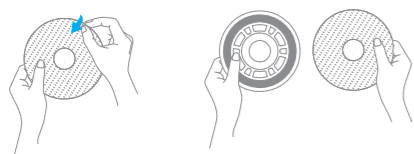
Wyloty automatycznego odpowietrzania robota i stacji bazowej czyść miękką, suchą ściereczką.



## Rutynowa konserwacja

### Podkładka mopa

Zdejmij podkładkę mopa z uchwytu i wymień ją.






### Akumulator

Robot zawiera pakiet akumulatora litowo-jonowego o wysokich parametrach użytkowych. Dbaj o to, by akumulator był dobrze naładowany do codziennego użytku, aby zachować jego parametry użytkowe na optymalnym poziomie. Jeżeli robot nie jest używany przez dłuższy czas, wyłącz go i złóż. Aby uniknąć szkód wskutek nadmiernego rozładowania, robot należy doładowywać przynajmniej raz na trzy miesiące.

## Diagnostyka usterek

Problem	Rozwiązanie
Robot nie włącza się.	Akumulator jest rozładowany. Doładuj robot w stacji bazowej i spróbuj ponownie. Temperatura akumulatora jest za niska lub za wysoka. Zaleca się pracę urządzenia w zakresie temperatur od 32°F (0°C) do 104°F (40°C).
Robot nie ładuje się.	Stacja bazowa nie jest podłączona do zasilania, upewnij się, czy oba końce kabla zasilania są prawidłowo wetknięte. Słaby kontakt między stykami ładowania w stacji bazowej i robocie, oczyść styki ładowania. Sprawdź, czy na złączu robota nie ma jakiegoś ciała obcego, usuń je w takim przypadku.
Robot nie łączy się z Wi-Fi.	Nieprawidłowe hasło sieci Wi-Fi. Sprawdź, czy hasło używane do łączenia się z siecią Wi-Fi, jest prawidłowe. Robot nie obsługuje połączenia Wi-Fi 5 GHz. Upewnij się, czy robot jest połączony z siecią Wi-Fi 2,4 GHz. Słaby sygnał Wi-Fi. Upewnij się, czy robot jest w obszarze o dobrym zasięgu Wi-Fi. Robot może nie być gotowy do skonfigurowania. Wyjdź z aplikacji i wejdź ponownie, następnie spróbuj jeszcze raz zgodnie z instrukcją.
Robot nie może znaleźć i powrócić do stacji bazowej.	Stacja bazowa została odłączona od zasilania lub poruszona, gdy robot znajdował się poza stacją. Połącz stację bazową z zasilaniem lub umieść robot na stacji celem ładowania. Za dużo jest przeszkód wokół stacji bazowej. Ustaw stację bazową w terenie bardziej otwartym. Poruszenie robotem może spowodować ponowne jego pozycjonowanie, a to spowoduje ponowne tworzenie mapy, jeżeli ponowne pozycjonowanie zawiedzie. Jeżeli robot jest zbyt daleko od stacji bazowej, może nie być w stanie powrócić samodzielnie, w którym to przypadku konieczne jest jego ręczne umieszczenie w stacji bazowej. Wytrzymaj pole sygnalizacji w stacji bazowej, aby usunąć kurz i śmieci.
Robot utyka przed stacją bazową i nie może powrócić do niej.	Usuń wszelkie przeszkody w obrębie 5 cm od lewej lub prawej strony bądź 1,5 m przed stacją bazową, aby zapobiec zablokowaniu się robota. Trasa powrotu do ładowania jest zablokowana, np. zamknięte drzwi. Robot może ślizgać się, jeżeli podłoga przed stacją bazową jest nadmiernie mokra. W takim przypadku usuń nadmiar wody przed podjęciem ponownej próby. Zaleca się przesunięcie stacji bazowej w innej miejsce i spróbowanie ponownie. Upewnij się, czy płytka przedłużająca rampy jest prawidłowo zamontowane.

Problem	Rozwiązanie
Robot nie wyłącza się.	Robot nie może być wyłączony podczas ładowania. Celem wyłączenia robota zaleca się odsunięcie robota od stacji bazowej, a następnie wciśnięcie i przytrzymanie przycisku  przez 3 sekundy. Jeżeli robota nie daje się wyłączyć wykonując krok 1, wciśnij i przytrzymaj przycisk  przez 10 sekund, co spowoduje wymuszenie wyłączenia urządzenia. Jeżeli problem się utrzymuje, skontaktuj się z działem obsługi posprzedażnej.
Niska prędkość ładowania.	Pełne ładowanie robota wymaga 3,5 godziny, jeżeli akumulator jest rozładowany. Jeżeli pracujesz robotem w temperaturach poza zakresem określonym w specyfikacji technicznej, prędkość ładowania automatycznie zmniejsza się, aby wydłużyć trwałość akumulatora. Styki ładowania w robocie i stacji mogą być zabrudzone, wytrzyj je suchą ściereczką.
Hałas zwiększa się, gdy robot pracuje.	Sprawdź, czy filtr pojemnika na kurz nie jest zatkany. Jeśli tak, oczyść go lub wymień. Twardy przedmiot mógł zostać uchwycony przez szczotki główne lub pojemnik na kurz. Sprawdź i usuń wszelkie twarde przedmioty. Szczotka główna lub boczna może być splątana. Sprawdź i usuń wszelkie obce ciała. Tryb ssania przełącz na Standard lub Spokojny.
Robot porusza się nie trzymając się ustalonej trasy.	Przedmioty takie, jak kable zasilania i pantofle należy zorganizować przed użyciem robota. Praca na mokrych, śliskich powierzchniach powoduje poślizg głównego kółka. Zaleca się wysuszenie mokrych miejsc przed użyciem robota. Wytrzyj czujnik lasera liniowego 3D w robocie czystą i miękką ściereczką, aby usunąć wszelkie zanieczyszczenia.
Robot pomija pomieszczenia, które mają być czyszczone.	Upewnij się, czy drzwi sprzątanego pomieszczenia są otwarte. Sprawdź, czy w drzwiach do pomieszczenia nie ma progów wyższego niż około 2 cm. Robot nie jest w stanie wspiąć się na wysoki próg ani pokonać stopni schodów. Miejsce przed pomieszczeniem do czyszczenia może być mokre lub śliskie, powodują poślizg robota i nienormalną pracę. Wyszus podłogę przed użyciem robota.

Problem	Rozwiązanie
Robot nie wznawia sprzątanego po ładowaniu.	Upewnij się, czy robot nie jest ustawiony w tryb „Nie przeszkadzać” (DND), co uniemożliwia wznowienie sprzątania. Robot nie wznowi czyszczenia po ręcznym jego umieszczeniu w stacji bazowej lub wystaniu go do stacji bazowej poprzez aplikację lub przyciskiem  .
Stacja nie może automatycznie opróżnić pojemnika na kurz.	Sprawdź, czy worek na kurz w pojemniku nie jest zapelniony. Jeżeli worek na kurz nie jest pełny, sprawdź, czy nie ma jakiegokolwiek przeszkody na automatycznych odpowietrznikach robota, stacji bazowej lub pojemnika na kurz. W takim przypadku wyczyść na czas zablokowaną część.
Poziom wody na tarce nie jest prawidłowy.	Sprawdź, czy uszczelka w zbiorniku używanej wody nie jest poluzowana lub niewłaściwie założona, ręcznie skoryguj w razie potrzeby. Jeżeli problem utrzymuje się, skontaktuj się z zespołem serwisu posprzedażowego. Łagodnie wciśnij w dół zbiornik używanej wody, aby mieć pewność, że jest prawidłowo założony. Zdejmij tarkę i sprawdź, czy spust ścieków nie jest zablokowany i oczyść go. Sprawdź roztwór do czyszczenia. Nie dodawaj innej cieczy niż oficjalnie zaaprobowany roztwór czyszczący.
Uchwyt podkładki mopa jest nienormalnie podniesiony.	Wymij uchwyt podkładki mopa i sprawdź, czy nie utknęły w nim jakieś ciała obce, po czym uruchom robota ponownie. Jeżeli problem utrzymuje się, skontaktuj się z zespołem serwisu posprzedażowego.
Pod zbiornikiem czystej wody lub wokół uszczelki jest woda.	Przy wyjmowaniu zbiornika czystej wody w rurze pod zbiornikiem lub wokół uszczelki może pozostawać nieco wody. To jest normalne. Wytrzyj suchą ściereczką.

W kwestii dalszej pomocy kontaktuj się z nami przez <https://mova-tech.com>

## Robot

Model	RLE51SE
Czas ładowania	Okolo 3,5 godziny
Napięcie znamionowe	14,4 V ---
Moc znamionowa	75 W
Częstotliwość pracy	2400-2483,5 MHz
Maksymalna moc wyjściowa	<20 dBm

## Stacja bazowa

Model	RCEE0301
Znamionowa moc wejściowa	220-240 V~ 50-60 Hz
Znamionowa moc wyjściowa	20 V --- 2 A
Moc znamionowa (podczas opróżniania z kurzu)	700 W
Moc znamionowa (podczas czyszczenia)	40 W
Moc znamionowa (podczas ładowania i suszenia)	89 W

W normalnych warunkach eksploatacji ten sprzęt powinien być utrzymywany w odstępnie przynajmniej 20cm między anteną i ciałem użytkownika.

**Uwaga:** Moc znamionową (podczas ładowania i suszenia) determinuje wartość mocy podczas całego okresu ładowania.

## Likwidacja i wyjmowanie akumulatora

Wbudowany akumulator litowo-jonowy zawiera substancje, które są niebezpieczne dla środowiska. Przed utylizacją, upewnij się, czy akumulator został wyjęty przez personel fachowy i poddany złomowaniu przez odpowiedni obiekt recyklingowy.

- akumulator musi być wyjęty z urządzenia przed złomowaniem;
- urządzenie musi być odłączone od zasilania sieciowego podczas wyjmowania akumulatora;
- akumulator należy utylizować w sposób bezpieczny.

**OSTROŻNIE:**

Przed wyjęciem akumulatora odłącz zasilanie i rozładuj akumulator, ile się da.

Niepotrzebne akumulatory należy likwidować w odpowiednim zakładzie recyklingowym.

Nie narażaj na środowisko wysokich temperatur, aby uniknąć ryzyka eksplozji.

W warunkach nadużycia ciecz może tryskać z akumulatora. W razie kontaktu płucać obficie wodą, wezwać pomoc medyczną.

**Instrukcja usuwania:**

1. Odwróć robot, odpowiednim narzędziem wykręć śruby z tyłu robota i zdejmij pokrywę.
2. Odłącz zaciski między akumulatorem i płytką drukowaną, aby wyjąć ten pierwszy.

## Ochrona środowiska



Zużyty sprzęt elektroniczny oznakowany zgodnie z dyrektywą Unii Europejskiej, nie może być umieszczany łącznie z innymi odpadami komunalnymi. Podlega on selektywnej zbiórce i recyklingowi w wyznaczonych punktach. Zapewniając jego prawidłowe usuwanie, zapobiegasz potencjalnym, negatywnym konsekwencjom dla środowiska naturalnego i zdrowia ludzkiego. System zbierania zużytego sprzętu zgodny jest z lokalnie obowiązującymi przepisami ochrony środowiska dotyczącymi usuwania odpadów. Szczegółowe informacje na ten temat można uzyskać w urzędzie miejskim, zakładzie oczyszczania lub sklepie, w którym produkt został zakupiony.

CE Produkt spełnia wymagania dyrektyw tzw. Nowego Podejścia Unii Europejskiej (UE), dotyczących zagadnień związanych z bezpieczeństwem użytkownika, ochroną zdrowia i ochroną środowiska, określających zagrożenia, które powinny zostać wykryte i wyeliminowane.

Niniejszy dokument jest tłumaczeniem oryginalnej instrukcji obsługi, stworzonej przez producenta.

Produkt należy regularnie konserwować (czyścić) we własnym zakresie lub przez wyspecjalizowane punkty serwisowe na koszt i w zakresie użytkownika. W przypadku braku informacji o koniecznych akcjach konserwacyjnych cyklicznych lub serwisowych w instrukcji obsługi, należy regularnie, minimum raz na tydzień oceniać odmiennosc stanu fizycznego produktu od fizycznie nowego produktu. W przypadku wykrycia lub stwierdzenia jakiegokolwiek odmiennosci należy pilnie podjąć kroki konserwacyjne (czyszczenie) lub serwisowe. Brak poprawnej konserwacji (czyszczenia) i reakcji w chwili wykrycia stanu odmiennosci może doprowadzić do trwałego uszkodzenia produktu. Gwarant nie ponosi odpowiedzialności za uszkodzenia wynikające z zaniedbania.

Szczegółowe informacje o warunkach gwarancji dystrybutora /producenta dostępne na stronie internetowej <https://serwis.innpro.pl/gwarancja>

## Akumulator LI-ION

Urządzenie wyposażone jest w akumulator LI ION (litowo-jonowy), który z uwagi na swoją fizyczną i chemiczną budowę starzeje się z biegiem czasu i użytkowania. Producent określa maksymalny czas pracy urządzenia w warunkach laboratoryjnych, gdzie występują optymalne warunki pracy dla urządzenia, a sam akumulator jest nowy i w pełni naładowany. Czas pracy w rzeczywistości może się różnić od deklarowanego w ofercie i nie jest to wada urządzenia a cecha produktu. Aby zachować maksymalną żywotność akumulatora, nie zaleca się go rozładowywać do poziomu poniżej 3,18V lub 15% ogólnej pojemności. Niższe wartości, jak np. 2,5V dla ogniwa uszkadzają je trwale i nie jest to objęte gwarancją. W przypadku zaniechania używania akumulatora lub całego urządzenia przez czas dłuższy niż jeden miesiąc należy akumulator naładować do 50% i sprawdzać cyklicznie co dwa miesiące poziom jego naładowania. Przechowuj akumulator i urządzenie w miejscu suchym, z dala od słońca i ujemnych temperatur.

## Akumulator LIPO

Urządzenie wyposażone jest w akumulator LI PO (litowo-polimerowy), który z uwagi na swoją fizyczną i chemiczną budowę starzeje się z biegiem czasu i użytkowania. Producent określa maksymalny czas pracy urządzenia w warunkach laboratoryjnych, gdzie występują optymalne warunki pracy dla urządzenia, a sam akumulator jest nowy i w pełni naładowany. Czas pracy w rzeczywistości może się różnić od deklarowanego w ofercie i nie jest to wada urządzenia a cecha produktu. Aby zachować maksymalną żywotność akumulatora, nie zaleca się go rozładowywać do poziomu poniżej 3,5V lub 5% ogólnej pojemności. Niższe wartości, jak np 3,2V dla ogniwa uszkadzają je trwale i nie jest to objęte gwarancją. W przypadku zaniechania używania akumulatora lub całego urządzenia przez czas dłuższy niż jeden miesiąc należy akumulator naładować do 50% i sprawdzać cyklicznie co dwa miesiące poziom jego naładowania. Przechowuj akumulator i urządzenie w miejscu suchym, z dala od słońca i ujemnych temperatur.

## Veiligheidsinformatie

Om elektrische schokken, brand of letsel door verkeerd gebruik van het toestel te voorkomen, dient u de gebruikershandleiding zorgvuldig te lezen voordat u het toestel gebruikt en te bewaren voor toekomstig gebruik.

## Gebruiksbeperkingen

- Dit product mag niet zonder toezicht van een ouder of voogd worden gebruikt door kinderen jonger dan 8 jaar of personen met fysieke, zintuiglijke of geestelijke tekortkomingen of met beperkte ervaring of kennis, om een veilige bediening te waarborgen en risico's te vermijden. Schoonmaken en onderhoud mogen niet door kinderen zonder toezicht worden uitgevoerd.
- Het toestel mag alleen worden gebruikt met de meegeleverde voeding.
- Dit toestel bevat batterijen die alleen door specialisten kunnen worden vervangen.
- Maak de zone die gereinigd moet worden leeg. Kinderen mogen niet met dit toestel spelen. Zorg ervoor dat kinderen en huisdieren terwijl de robot in werking is op veilige afstand blijven.
- Installeer, gebruik en laad het toestel niet op in badkamers of in de buurt van zwembaden.
- Dit product is uitsluitend bestemd voor vloerreiniging in een huishoudelijke omgeving. Gebruik het niet buitenshuis, op niet-vloeroppervlakken of in een commerciële of industriële omgeving.
- Zorg ervoor dat het toestel correct werkt in een geschikte omgeving. Gebruik het toestel anders niet.
- Als het netsnoer beschadigd is, dient het vervangen te worden door een speciaal snoer of een samenstel dat verkrijgbaar is bij de fabrikant of zijn

### Gebruiksbeperkingen serviceagent.

- Gebruik de robot niet in een ruimte die zich boven vloerniveau bevindt zonder een veiligheidsbarrière.
- Plaats de robot niet ondersteboven. Gebruik de LDS-afdekking, klep van de robot of stootrand niet als handgreep voor de robot.
- Gebruik de robot in omgevingen met een omgevingstemperatuur hoger dan 0 °C en lager dan 40 °C. Zorg ervoor dat er geen vloeistof of kleverige substantie op de vloer ligt.
- Om schade of letsel door slepen te voorkomen, verwijdert u losse voorwerpen van de vloer en verwijdert u kabels of netsnoeren op het reinigingspad voordat u het toestel gebruikt.
- Verwijder breekbare of kleine voorwerpen van de vloer om te voorkomen dat de robot er tegenaan stoot en deze beschadigt.
- Houd haar, vingers en andere lichaamsdelen uit de buurt van de zuigopening van de robot.
- Houd het schoonmaakgereedschap buiten het bereik van kinderen.
- Gebruik het toestel niet in een kamer waar een baby of kind slaapt.
- Plaats geen kinderen, huisdieren of andere voorwerpen bovenop de robot, ongeacht of deze stilstaat of beweegt.
- Alleen schoon water en de officieel goedgekeurde reinigungsoplossing mogen aan de schoonwatertank worden toegevoegd. Voeg geen andere vloeistof toe, zoals alcohol of ontsmettingsmiddel. De verhouding tussen de

### Gebruiksbeperkingen

- reinigungsoplossing en schoon water kan worden gecontroleerd op de fles met reinigungsoplossing. Houd het reinigungsmiddel buiten het bereik van kinderen.
- Gebruik de robot niet om brandende voorwerpen te reinigen. Gebruik de robot niet om ontvlambare of brandbare vloeistoffen, corrosieve gassen, onverdunde zuren of oplosmiddelen op te nemen.
- Zuig geen harde of scherpe voorwerpen op. Gebruik het toestel niet om voorwerpen op te rapen zoals stenen, grote stukken papier of andere voorwerpen die het toestel kunnen verstoppem.
- De stekker moet uit het stopcontact worden gehaald alvorens het toestel schoon te maken of te onderhouden.
- Veeg de robot of het basisstation niet af met een natte doek en spoel ze niet af met een vloeistof. Laat wasbare en gereinigde onderdelen volledig opdrogen alvorens ze weer te installeren en te gebruiken.
- Gebruik dit product volgens de instructies in de gebruikershandleiding. Gebruikers zijn verantwoordelijk voor verlies of schade als gevolg van onjuist gebruik van dit product.

### Batterijen en opladen

- Gebruik geen batterij of basisstation van derden. De robot kan alleen worden gebruikt met een basisstation van het model RCEE0301.
- Probeer de batterij of het basisstation niet zelf te demonteren, repareren of aan te passen.
- Plaats het basisstation niet in de buurt van een warmtebron.
- Gebruik geen natte doek of natte handen om de oplaadcontacten van het basisstation af te vegen of schoon te maken.

- Batterijen en opladen**
- Gooi oude batterijen op de juiste manier weg. Niet noodzakelijke batterijen moeten worden ingeleverd bij een geschikt recyclingbedrijf.
  - Als het netsnoer beschadigd of gebroken is, stop dan onmiddellijk met het gebruik ervan en neem contact op met de klantenservice.
  - Zorg ervoor dat de robot tijdens het vervoer is uitgeschakeld en indien mogelijk in de originele verpakking wordt bewaard.
  - Als de robot voor langere tijd niet wordt gebruikt, laad deze dan volledig op, schakel deze uit en bewaar deze op een koele, droge plaats. Laad de robot minstens elke 3 maanden op om overontlading van de batterij te voorkomen.

### Informatie over laserveiligheid

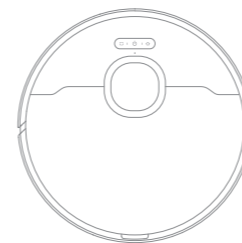
- De lasersensor in dit product voldoet aan de IEC 60825-1:2014/EN 60825-1:2014/A11:2021 norm voor klasse 1 laserproducten. Vermijd direct oogcontact tijdens het gebruik.

KLASSE 1 LASERPRODUCT  
 LASERPRODUCT VOOR CONSUMENTEN  
 EN 50689:2021

Hierbij verklaart Dreame Trading (Tianjin) Co., Ltd. dat de radioapparatuur van het type RLE515E in overeenstemming is met Richtlijn 2014/53/EU. De volledige tekst van de EU-conformiteitsverklaring is beschikbaar op het volgende internetadres: <https://mova-tech.com>  
 Ga voor een gedetailleerde elektronische handleiding naar <https://www.mova-tech.com/pages/user-manuals-and-faqs>

## Productoverzicht

### Inhoud van de verpakking



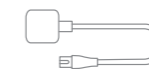
Robot



Basisstation



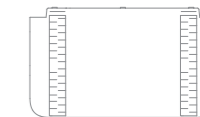
Zijborstel



Netsnoer



Gebruikershandleiding



Oplaatplaat van basisstation

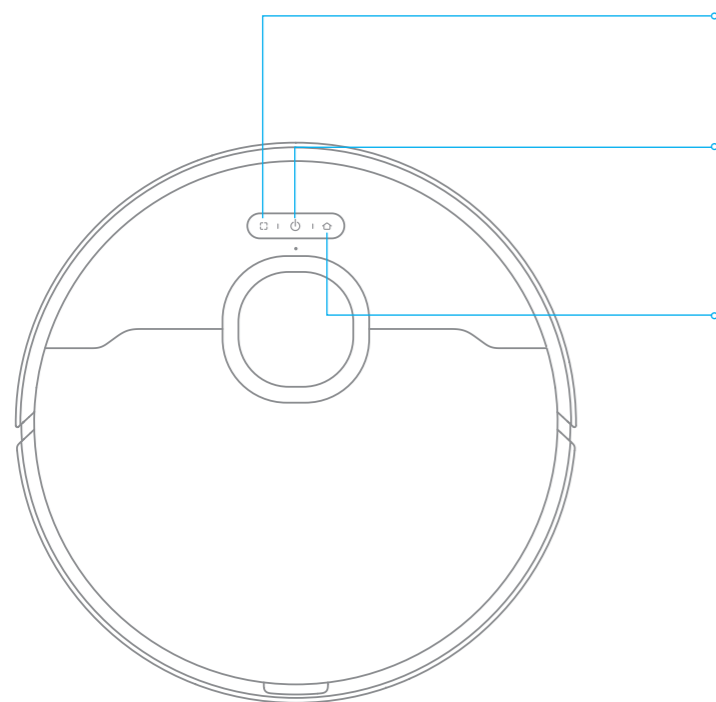
Dweilpad × 2  
(voorgemonteerd)

Dweilpadhouder × 2

Stofzak  
(voorgeïnstalleerd)

### Andere accessoires

## Robot



- Spotreinigingsknop**  
 · Druk hierop om spotreiniging te starten

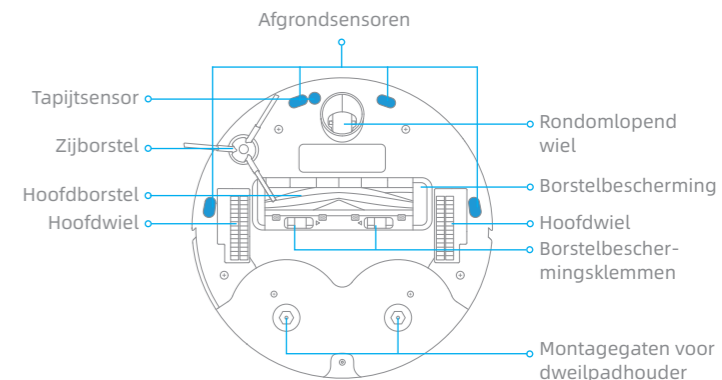
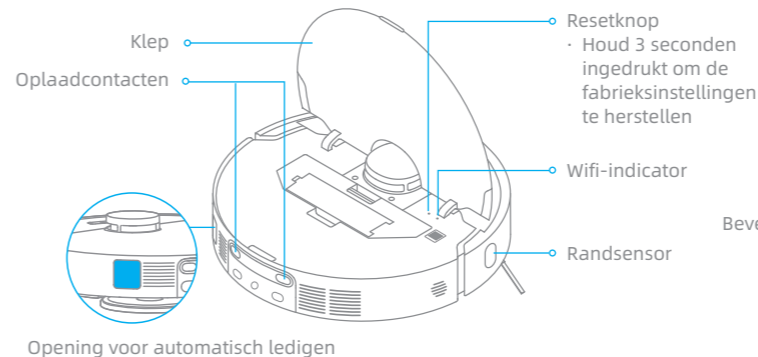
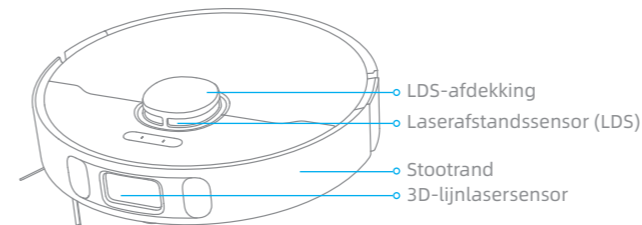
- Aan/Uit/reinigingsknop**  
 · Houd 3 seconden ingedrukt om in of uit te schakelen  
 · Druk hierop om het reinigen te starten nadat de robot is ingeschakeld

- Dockingknop**  
 · Druk hierop om de robot terug te sturen naar het basisstation  
 · Houd 3 seconden ingedrukt om het kinderslot uit te schakelen

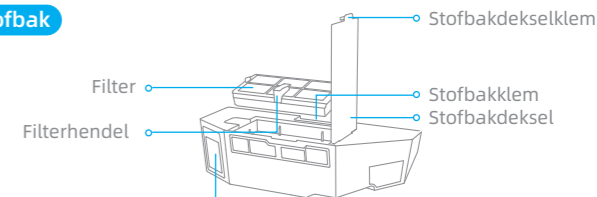
- Statusindicator**
- Continu wit: Reinigen of opruimen voltooid
  - Pulserend wit: Opladen (batterij niet bijna leeg)
  - Continu oranje: Stand-by bij bijna lege batterij of gepauzeerd bij bijna lege batterij
  - Pulserend oranje: Opladen (batterij bijna leeg)
  - Knipperend oranje: Fout

- Opmerking:**
- Druk op een willekeurige knop van de robot om te pauzeren terwijl de robot aan het reinigen is of terugkeert om op te laden.
  - Het kinderslot kan worden ingeschakeld/uitgeschakeld via de app.

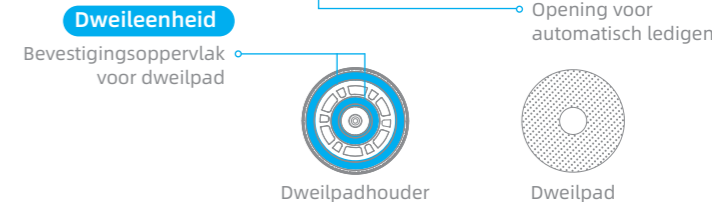
## Robot en sensoren



## Stofbak

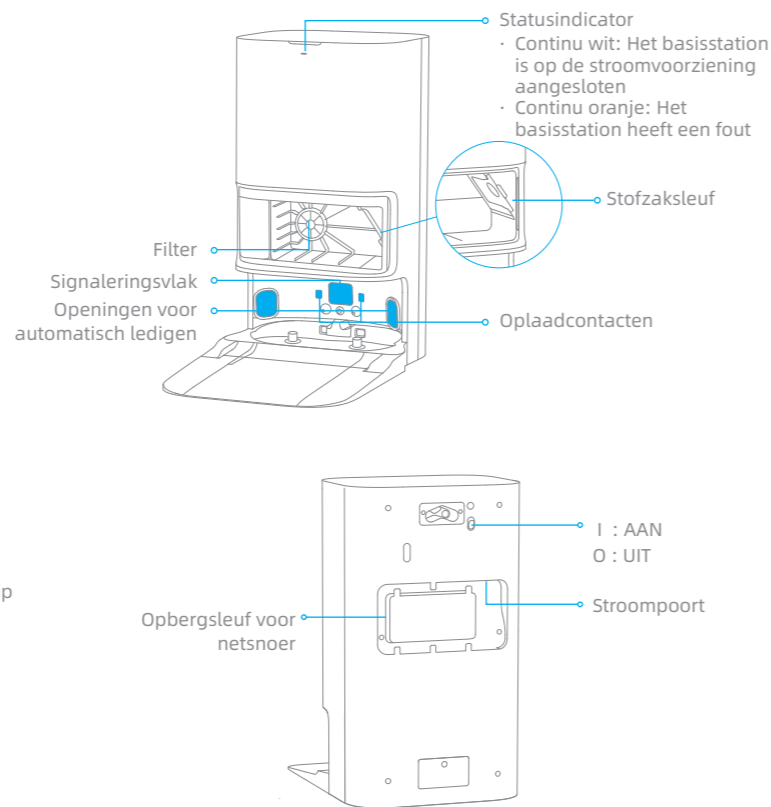
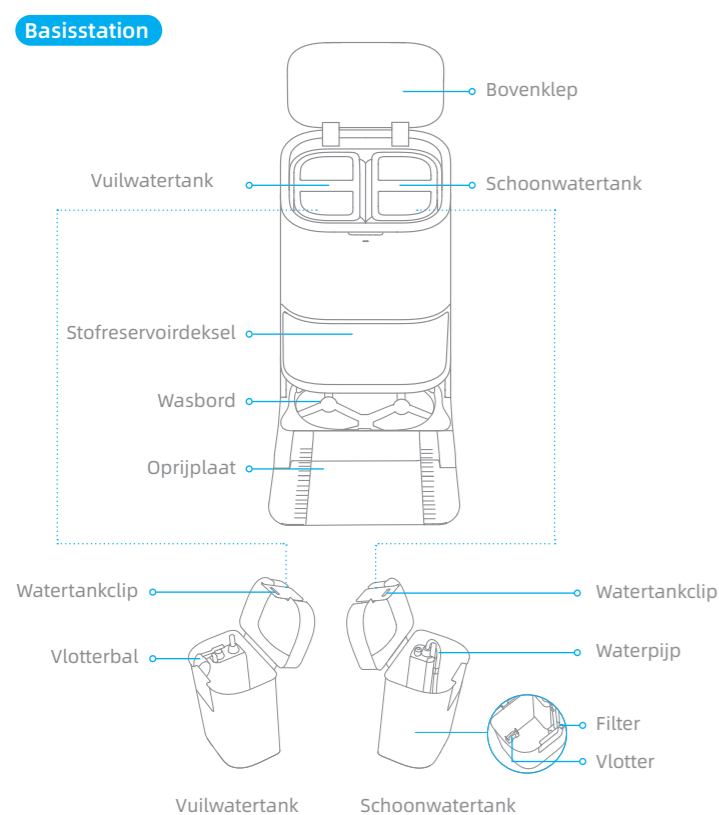


## Dweleenheid

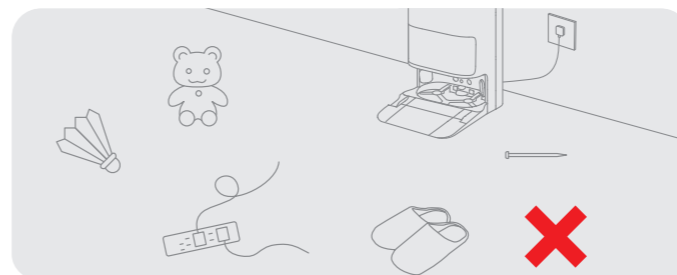




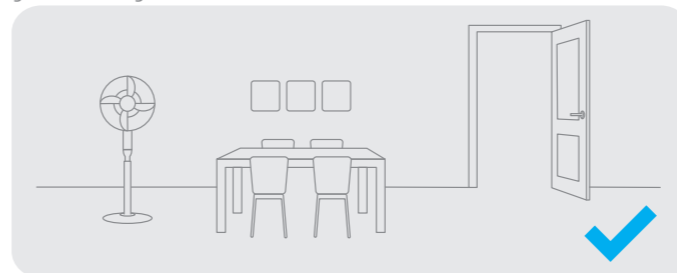
## Basisstation



## Bereid uw huis voor



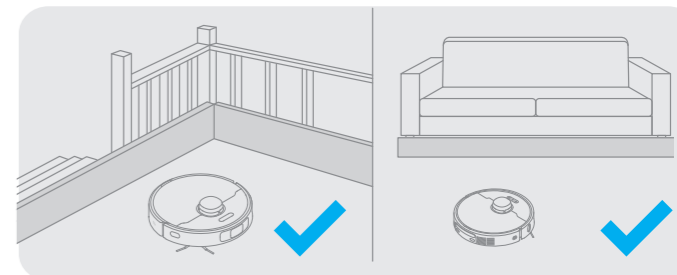
Verwijder vóór het reinigen onstabiele, breekbare, waardevolle of gevaarlijke voorwerpen en ruim kabels, doeken, speelgoed, harde voorwerpen en scherpe voorwerpen op de vloer op om te voorkomen dat ze verstrikt raken, gekrast of omgestoten worden door de robot en schade veroorzaken.



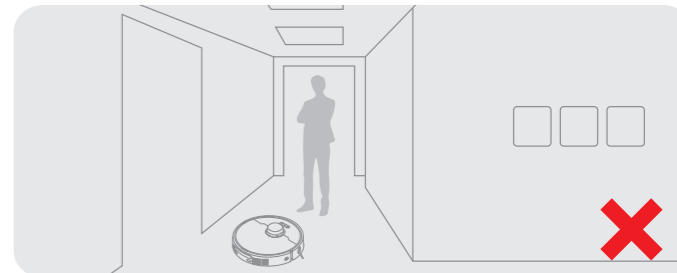
Open de deur van de kamer die moet worden gereinigd, en zet het meubilair op de juiste plaats om meer ruimte over te laten.

**Opmerking:**

- Wanneer u de robot voor de eerste keer bedient, volg deze dan tijdens het reinigen om eventuele obstakels tijdig te verwijderen.
- Zuig geen harde voorwerpen op zoals stenen, stalen stukjes en speelgoedonderdelen, of scherpe voorwerpen zoals bouwafval, gebroken glas en spijkers, anders kunnen de grond krassen oplopen.



Plaats vóór het reinigen een fysieke barrière bij de rand van de trap en de bank, zodat de robot veilig en soepel kan werken.

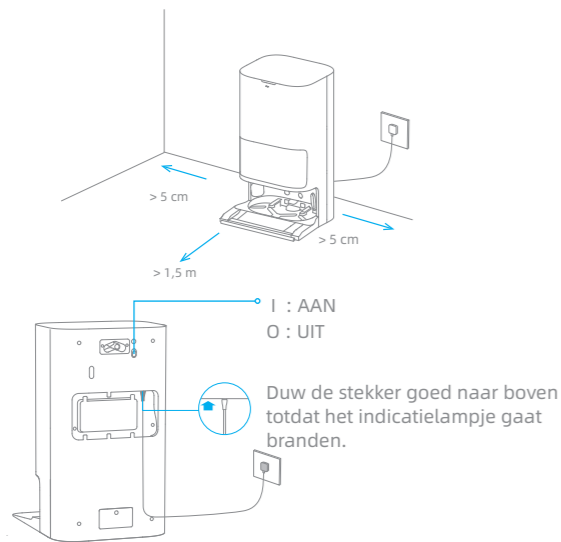


Om te voorkomen dat de robot zones die gereinigd moeten worden niet herkent, mag u niet vóór de robot, drempel, gang of smalle plaatsen staan.

## Vóór gebruik

### 1. Het basisstation plaatsen en aansluiten op een stopcontact

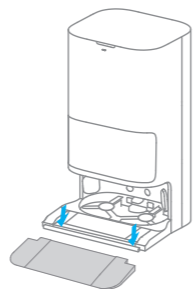
Plaats het basisstation op een plek die zo open mogelijk is met een goed wifi-signaal. Verwijder alle voorwerpen die zich dichterbij dan 1,5 m van de voorkant en 5 cm van beide zijkanten van het basisstation bevinden. Steek het netsnoer in het basisstation en steek de stekker in het stopcontact.



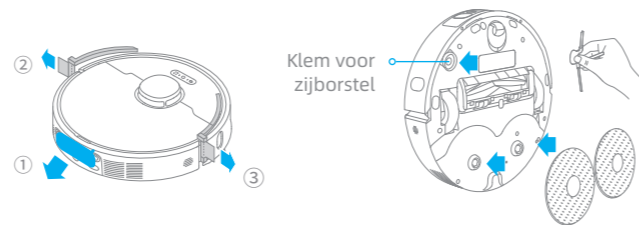
#### Opmerking:

- Zorg ervoor dat geen voorwerpen het signaleringsvlak blokkeren.
- Om te voorkomen dat waterlekken de houten vloeren of tapijten beschadigen, wordt aanbevolen om het basisstation op tegel- of marmeren vloeren te plaatsen.

### 2. Installeer de verlengplaat voor de oprijplaat



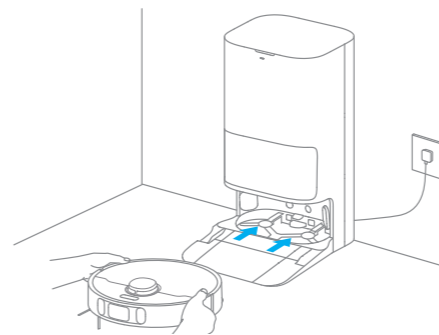
### 3. Verwijder de robotbeschermingen en installeer de zijborstel en de dweileenheid.



## Vóór gebruik

### 4. De robot verbinden met het basisstation

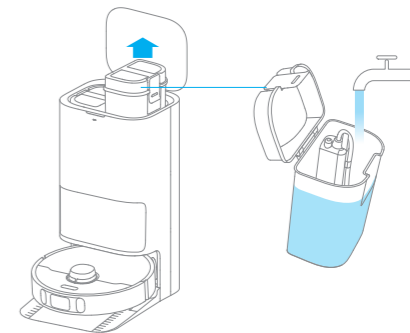
Houd de knop  op de robot 3 seconden ingedrukt om deze in te schakelen. Plaats de robot op het basisstation met de dweileenheid in de richting van het wasbord. Vervolgens hoort u een gesproken melding wanneer de robot met succes verbinding maakt met het basisstation.



**Opmerking:** Het wordt aanbevolen de robot volledig op te laden vóór het eerste gebruik ervan. Als de robot niet kan worden ingeschakeld nadat de batterij leeg is, sluit deze dan handmatig aan op het basisstation om het op te laden.

### 5. Voeg water toe aan de schoonwatertank

Haal de schoonwatertank uit het basisstation en vul de tank met schoon water. Plaats het vervolgens terug in het basisstation.

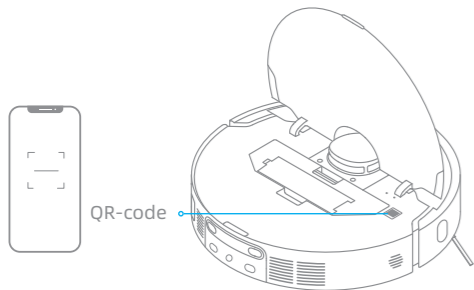


**Opmerking:** Doe geen heet water in de watertank dit kan vervorming van de tank veroorzaken.

## Verbinding maken met de app

### 1. Download de app

Scan de QR-code op de robot om de app te downloaden en te installeren.



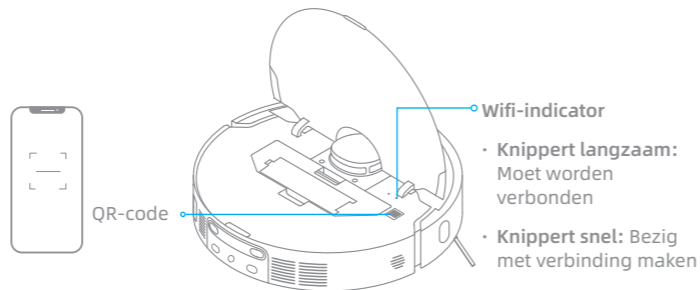
#### Opmerking:

- Alleen 2,4 GHz wifi wordt ondersteund.
- Als gevolg van upgrades in de app-software kunnen de daadwerkelijke handelingen afwijken van de aanwijzingen in deze handleiding. Volg de instructies op basis van de huidige app-versie.

### 2. Apparaat toevoegen

Open de app, tik op "Scan QR-code om verbinding te maken" en scan dezelfde QR-code op de robot opnieuw om het apparaat toe te voegen. Volg de aanwijzingen om de wifi-verbinding te voltooien.

**Opmerking:** Als u wifi wilt resetten, herhaalt u stap 2 en volgt u de aanwijzingen om de wifi-verbinding te voltooien.



#### Wifi-indicator

- **Knippert langzaam:** Moet worden verbonden
- **Knippert snel:** Bezig met verbinding maken
- **Aan:** Verbonden

## Hoe te gebruiken

### Aan-/uitzetten

Houd de knop  3 seconden ingedrukt om de robot in te schakelen. De stroomindicator moet branden. Plaats de robot op het basisstation, de robot zou automatisch moeten inschakelen en beginnen met opladen. Om de robot uit te schakelen, verwijdert u de robot van het basisstation en houdt u de knop  3 seconden ingedrukt.

### Snel in kaart brengen

Nadat u het netwerk voor de eerste keer hebt geconfigureerd, volgt u de instructies in de app om snel een plattegrond aan te maken. De robot zal beginnen met het in kaart brengen zonder reiniging. Wanneer de robot terugkeert naar het basisstation, is het proces voor het in kaart brengen voltooid en wordt de plattegrond automatisch opgeslagen.

### Pauze/slapen

Als de robot aan het werk is drukt u op deze knop om deze te pauzeren. Als de robot langer dan 10 minuten is gepauzeerd, gaat deze automatisch naar de slaapmodus. Alle indicatoren op de robot zullen uitgaan. Druk op een willekeurige knop op de robot of gebruik de app om de robot te ontwaken.

**Opmerking:** Als de robot wordt gepauzeerd en in het basisstation wordt geplaatst, wordt het huidige reinigingsproces beëindigd.

### Automatisch reinigen hervatten

Als de batterij te zwak is, keert de robot automatisch terug naar het basisstation om op te laden. Na het opladen tot het juiste batterijniveau zal deze onafgemaakte reinigingstaken hervatten.

**Opmerking:** Schakel deze functie via de app in om deze te kunnen gebruiken.


### Niet-Storen-modus (DND)

Als de robot in de niet-storen-modus (DND) staat, zal deze het reinigen niet kunnen hervatten en gaat de stroomindicator uit. De DND-modus wordt in de fabriek standaard uitgeschakeld. U kunt de app gebruiken om de DND-modus in te schakelen of de DND-periode ervan aan te passen. De DND-periode is standaard ingesteld op 22:00-08:00.

#### Opmerking:

- De geplande reinigingstaken worden tijdens de DND-periode gewoon uitgevoerd.
- De robot zal na het verstrijken van de DND-periode het reinigen hervatten waar deze de vorige keer gestopt is.

### Spotreiniging

Wanneer de robot in stand-by staat, drukt u kort op de knop  om de spotreinigingsmodus in te schakelen. In deze modus reinigt de robot een vierkant gebied van 1,5 x 1,5 meter rondom en keert deze terug naar zijn beginpunt zodra de spotreiniging is voltooid.

### De robot herstarten


Als de robot niet meer reageert of niet kan worden uitgezet, houdt u de knop  10 seconden ingedrukt om het uitschakelen te forceren. Houd vervolgens de knop  3 seconden ingedrukt om de robot in te schakelen.

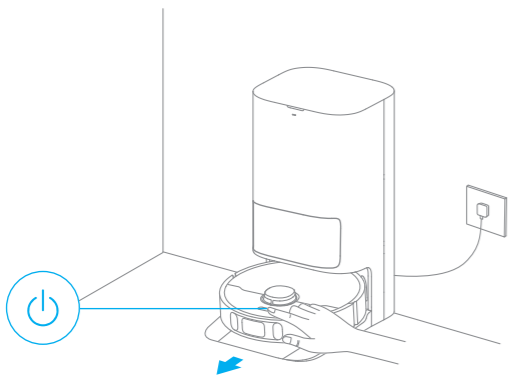
## Hoe te gebruiken

### Stofzuigen en dweilen

**Opmerking:** Bij het eerste gebruik van de dweleenheid voert de robot standaard de taak "Stofzuigen en dweilen" uit.

#### 1. Start reiniging

Druk op de knop  op de robot, of gebruik de app om de robot te laten starten vanaf het basisstation. De robot zal vervolgens de optimale reinigingsroute bepalen en deze taak uitvoeren volgens de plattegrond.

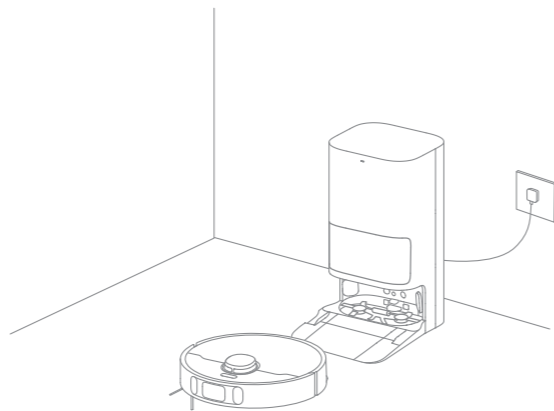


#### Opmerking:

- Het wordt aanbevolen de robot te laten starten vanuit het basisstation om ervoor te zorgen dat de robot hier na het reinigen gemakkelijk naar kan terugkeren.
- De dweilpads worden schoongemaakt voordat de robot begint te dweilen, wacht geduldig.
- Verplaats het basisstation, de schoonwatertank, de vuilwatertank of het wasbord niet tijdens het gebruik.

#### 2. Automatisch wassen van de dweil

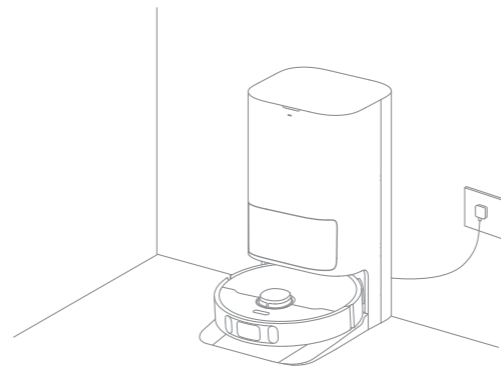
Bij het reinigen keert de robot automatisch terug naar het basisstation om de dweilpads te wassen op basis van de schoonmaakfrequentie van de dweilpads die in de app is opgegeven.



## Hoe te gebruiken

### 3. Automatisch ledigen van de stofbak en wassen en drogen van de dweilpads

Nadat de robot een reinigingstaak heeft voltooid en terugkeert naar het basisstation om op te laden, begint het basisstation automatisch de stofbak leeg te maken. Vervolgens zal het de dweilpads wassen en drogen.



#### Opmerking:

- Als de functie voor automatisch ledigen is uitgeschakeld in de app, zal het basisstation de stofbak niet automatisch leegmaken.
- Het basisstation zal de stofbak ledigen volgens de instelling in de app.

### 4. Schoonmaken van de vuilwatertank

Nadat de robot zijn taak heeft voltooid, dient u de vuilwatertank schoon te maken om geuren te voorkomen.

### Dweilen na stofzuigen

Schakel de functie dweilen na stofzuigen in de app in, en de robot tilt automatisch de dweleenheid omhoog om de vloer te stofzuigen. Nadat het stofzuigen is voltooid, keert de robot terug om de stofbak te legen en begint deze met dweilen nadat het automatisch de dweleenheid heeft laten zakken.

### Alleen stofzuigen

Schakel de stofzuigfunctie in de app in en de robot zal automatisch de dweil optillen en beginnen met stofzuigen.

### Alleen dweilen

Schakel de dweilfunctie in de app in en de robot controleert of de dweleenheid is geïnstalleerd. Als dit niet het geval is, installeert u de dweleenheid handmatig, waarna de robot automatisch begint te dweilen.

## Onderdelen

Om de robot in goede staat te houden, is het raadzaam om het gebruik van accessoires in de app of de volgende tabel te raadplegen voor routinematig onderhoud.

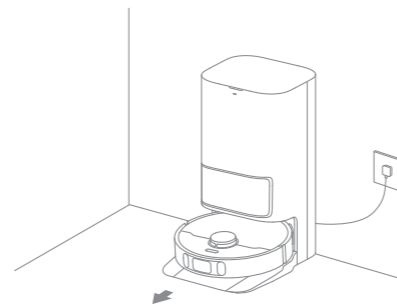
Onderdeel	Onderhoudsfrequentie	Vervangingsperiode
Vuilwatertank	Na elk gebruik	/
Schoonwatertank	Eens per 2 weken	Elke 6 tot 12 maanden
Hoofdborstel		
Filter van stofbak		Elke 3 tot 6 maanden
Zijborstel		
Dweilpadhouder		/
Wasbord	Eens per maand	/
Signaleringsvlak van het basisstation		
Oplaadcontacten		
Openingen voor automatisch ledigen		
Rondomlopend wiel		
Randsensor		
Laserafstandssensor (LDS)		
3D-lijnlasersensor		

Onderdeel	Onderhoudsfrequentie	Vervangingsperiode
Tapijtsensor	Eens per maand	/
Afgrondsensoren		
Stootrand		
Onderkant van de robot		
Stofbak	Maak het schoon indien nodig	Elke 2 tot 4 maanden
Stofzak	/	
Dweilpad	/	

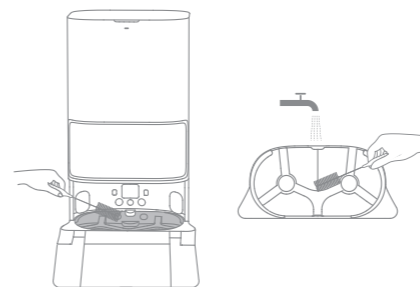
**Opmerking:** De vervangingsfrequentie hangt af van uw gebruik van de robot. Indien er door bijzondere omstandigheden een uitzondering optreedt, moeten de onderdelen worden vervangen.

## Wasbordbasis

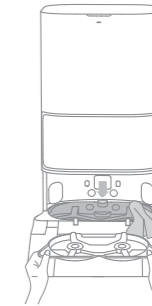
1. Schakel de reinigingsfunctie van het wasbord in de app in en de robot verlaat automatisch het basisstation. Haal het wasbord eruit en wacht tot het water de bodem van het basisstation vult.




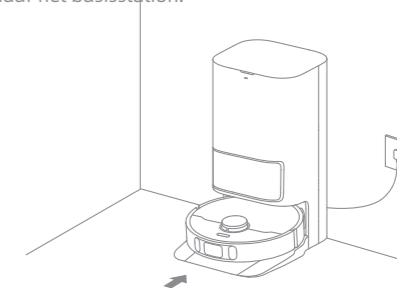
2. Spoel het wasbord af met schoon water, en gebruik een geschikt schoonmaakgereedschap om de bodem van het basisstation schoon te maken.



3. Na een ogenblik zal het basisstation automatisch het gebruikte water wegpompen. Droog het vervolgens af met een zachte droge doek, en plaats het wasbord terug.



4. Gebruik de app of druk kort op de knop  op de robot om deze terug te laten keren naar het basisstation.

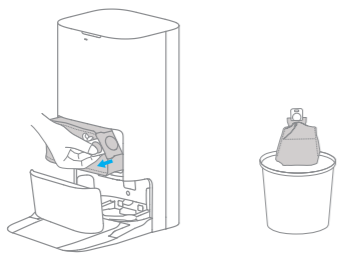


**Opmerking:** Laat de robot tijdens het reinigen niet terugkeren naar het basisstation.

## Routinematig onderhoud

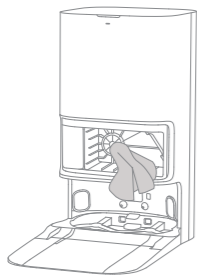
### Stofzak

1. Verwijder het deksel van het stofreservoir en gooi de stofzak weg.

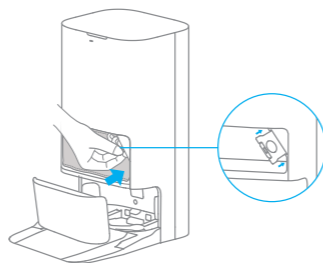


**Opmerking:** Door de hendel omhoog te trekken wordt de stofzak afgesloten, zodat stof en vuil er niet per ongeluk uit kunnen vallen.

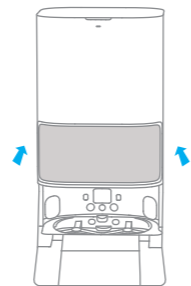
2. Verwijder het stof en vuil uit het filter met een droge doek.



3. Plaats een nieuwe stofzak.



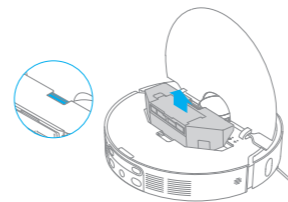
4. Plaats het deksel van het stofreservoir terug.



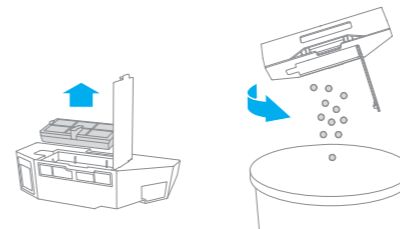
## Routinematig onderhoud

### Stofbak en filter

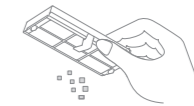
1. Open de klep van de robot en druk vervolgens op de klem van de stofbak om de stofbak te verwijderen.



2. Open het stofbakdeksel, verwijder het filter en maak de stofbak leeg zoals aangegeven in het schema.

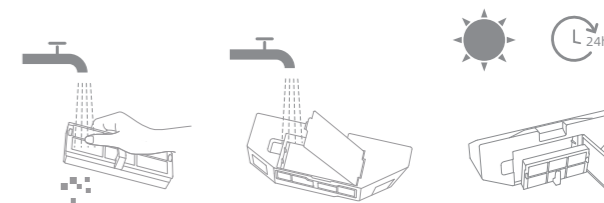


3. Tik zachtjes op het korfje van het filter om het vuil te verwijderen.



**Opmerking:** Probeer het filter niet te schoon te maken met een borstel, vinger of scherp voorwerp om schade te voorkomen.

4. Spoel de stofbak en het filter af met water en droog ze volledig af alvorens ze opnieuw te installeren.



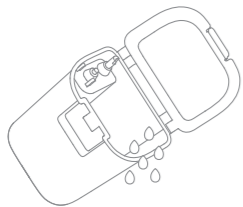
### Opmerking:

- Spoel de stofbak en het filter alleen af met schoon water. Gebruik geen schoonmaakmiddel.
- Gebruik de stofbak en het filter alleen als ze volledig droog zijn.

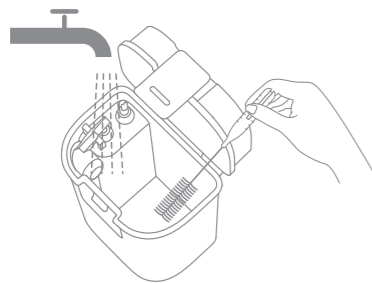
## Routinematig onderhoud

### Vuilwatertank

1. Verwijder de vuilwatertank, open het deksel en giet het gebruikte water eruit.



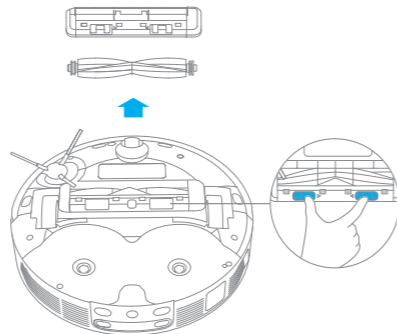
2. Spoel de vuilwatertank uit met schoon water, en gebruik een geschikt schoonmaakgereedschap om de binnenwand van de vuilwatertank schoon te maken.



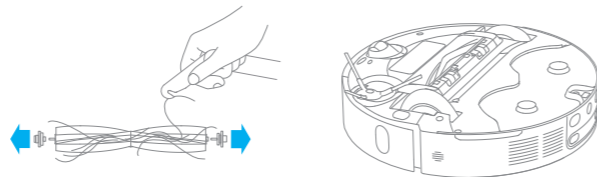
**Opmerking:** De vlotterbal in de vuilwatertank is een bewegend onderdeel. Gebruik niet teveel kracht tijdens het reinigen zodat deze niet beschadigt.

### Hoofdborstel

1. Druk de klemmen van de borstelbescherming naar binnen om de borstelbescherming te verwijderen en til de borstel uit de robot.



2. Trek de borstelbeschermingen aan beide uiteinden van de borstel naar buiten, zoals op de afbeelding te zien is. Gebruik een geschikt schoonmaakgereedschap om haren te verwijderen die in de borstel verstrikt zijn geraakt. Plaats de borstelbeschermingen terug aan beide uiteinden van de borstel en plaats de borstel vervolgens terug. Druk op de borstelbescherming om deze op zijn plaats te vergrendelen.



## Routinematig onderhoud

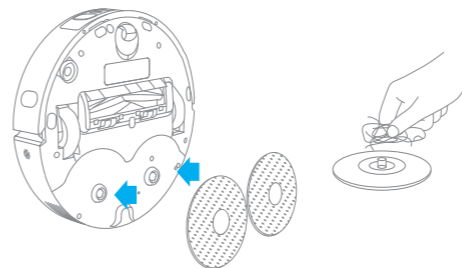
### Zijborstel

Verwijder en maak de zijborstel schoon.

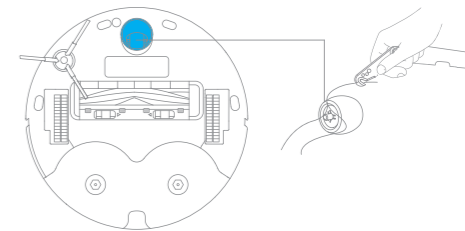


### Dweilpadhouder

Verwijder en maak de dweilpadhouder schoon.



### Rondlopend wiel



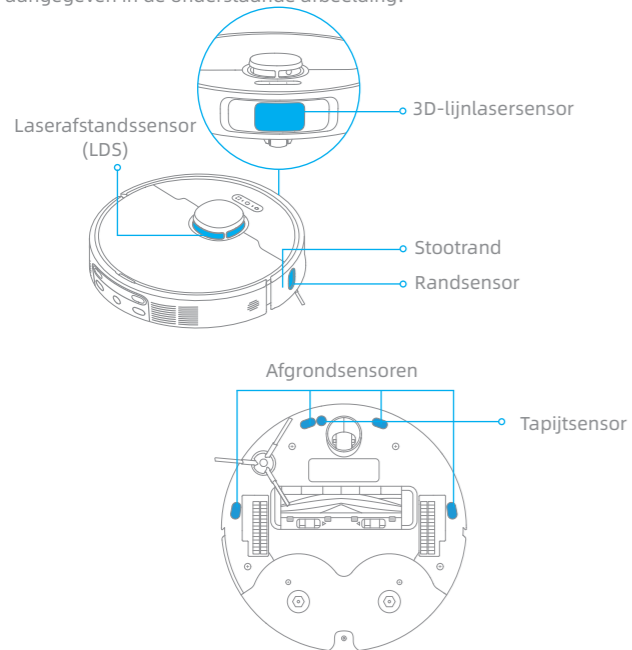
#### Opmerking:

- Gebruik een gereedschap zoals een kleine schroevendraaier om de as en de band van het rondlopende wiel te scheiden. Gebruik geen overmatige kracht.
- Spoel het rondlopende wiel af onder stromend water en plaats het terug nadat het volledig is gedroogd.

## Routinematig onderhoud

### Robotsensoren

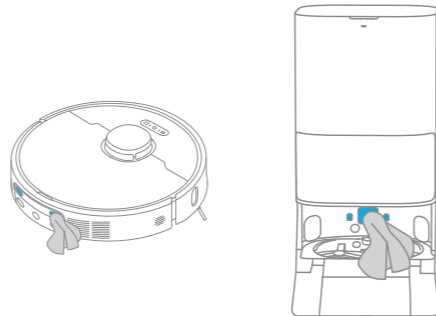
Veeg de robotsensoren schoon met een zachte en droge doek, zoals aangegeven in de onderstaande afbeelding:



**Opmerking:** Een natte doek kan gevoelige elementen in de robot en het basisstation beschadigen. Gebruik een droge doek voor het schoonmaken.

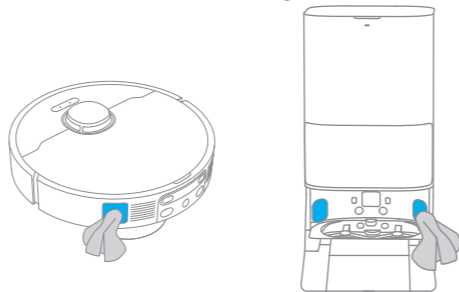
### Oplaadcontacten en signaleringsvlak

Maak de oplaadcontacten en het signaleringsvlak schoon met een zachte, droge doek.



### Openingen voor automatisch ledigen

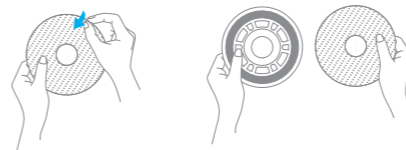
Maak de openingen voor het automatisch ledigen van de robot en het basisstation schoon met een zachte en droge doek.



## Routinematig onderhoud

### Dweilpad

Verwijder de dweilpad uit de houder om deze te vervangen.





### Batterij

De robot bevat een krachtige lithium-ionbatterij. Zorg ervoor dat de batterij goed opgeladen blijft voor dagelijks gebruik om optimale prestaties van de batterij te behouden. Als de robot voor langere tijd niet wordt gebruikt, laad deze dan volledig op, schakel het uit en bewaar het op een koele, droge plaats. Om schade door overontlading te voorkomen, moet u de robot minimaal één keer per drie maanden opladen.



Probleem	Oplossing
De robot schakelt niet in.	De batterij is bijna leeg. Laad de robot op het basisstation op en probeer het opnieuw. De temperatuur van de batterij is te laag of te hoog. Het wordt aanbevolen om het apparaat te gebruiken bij een temperatuur tussen 32°F (0°C) en 104°F (40°C).
De robot laadt niet op.	Het basisstation is niet op netstroom aangesloten, zorg dat beide uiteinden van het snoer goed zijn aangedrukt. Het contact tussen de oplaadcontacten op het basisstation en de robot is slecht, maak ze schoon. Controleer of er vreemde voorwerpen zitten op de aansluiting van de robot en verwijder deze als dat zo is.
De robot kan geen verbinding maken met wifi.	Het wachtwoord van het wifi-netwerk is onjuist. Controleer of het wachtwoord waarmee u verbinding maakt met uw wifi-netwerk correct is. De robot ondersteunt geen 5 GHz wifi-verbinding. Zorg ervoor dat de robot verbonden is met een 2,4 GHz wifi-verbinding. Het wifi-signaal is zwak. Zorg ervoor dat de robot zich in een gebied met goede wifi-bereik bevindt. De robot is misschien niet klaar om geconfigureerd te worden. Sluit de app en open deze opnieuw en probeer het opnieuw volgens de instructies.
De robot kan het basisstation niet vinden en keert niet terug.	Het basisstation is niet op netstroom aangesloten of verplaatst terwijl de robot niet er niet op stond. Sluit het basisstation aan op de stroomvoorziening of plaats de robot op het basisstation om op te laden. Er zijn te veel obstakels rond het basisstation. Plaats het basisstation in een meer open plek. Het verplaatsen van de robot kan ertoe leiden dat deze zich opnieuw positioneert, en een plattegrond zal aanmaken als het opnieuw positioneren niet lukt. Als de robot zich te ver van het basisstation bevindt, kan deze mogelijk niet automatisch terugkeren. In dat geval moet u de robot handmatig op het basisstation plaatsen. Veeg het signaleringsvlak van het basisstation af om stof en vuil te verwijderen.
De robot zit vast vóór het basisstation en kan er niet naar terugkeren.	Verwijder obstakels binnen 5 cm aan de linker- en rechterkant of binnen 1,5 m vóór het basisstation om te voorkomen dat de robot geblokkeerd raakt. De route richting het oplaadpunt is geblokkeerd, de deur is bijv. dicht. De robot kan wegglijden als de vloer vóór het basisstation heel erg nat is. Als dit zo is, maak de vloer dan droog en probeer het opnieuw. Het wordt aangeraden het basisstation naar een andere plek te verplaatsen en het opnieuw te proberen. Zorg ervoor dat de oprijplaat correct is geïnstalleerd.

Probleem	Oplossing
De robot schakelt niet uit.	De robot kan alleen worden uitgeschakeld als deze niet wordt opgeladen. Het wordt aanbevolen de robot van het basisstation te halen en dan pas de knop  3 seconden ingedrukt te houden om deze uit te schakelen. Als de robot niet kan worden uitgeschakeld door stap 1 uit te voeren, houdt u de knop  10 seconden ingedrukt om de robot geforceerd uit te schakelen. Als het probleem aanhoudt, neem dan contact op met de klantenservice.
De oplaadsnelheid is traag.	Het duurt ongeveer 3,5 uur om de robot volledig op te laden als de batterij bijna leeg is. Als u de robot gebruikt bij temperaturen buiten het aangegeven bereik, zal de oplaadsnelheid automatisch vertragen om de levensduur van de batterij te verlengen. De oplaadcontacten van zowel de robot als het basisstation kunnen vuil zijn, veeg ze af met een zachte doek.
Het geluid neemt toe terwijl de robot werkt.	Controleer of het stofbakfilter verstopt is. Als dat zo is, maak het schoon of vervang het dan. Er kan zich een hard voorwerp in de hoofdborstel of de stofbak bevinden. Controleer dat en verwijder evt. het harde voorwerp. De hoofdborstel of de zijborstel kan verstrikt raken. Controleer dat en verwijder evt. vreemde voorwerpen. Schakel de zuigmodus over naar "Standaard" of "Stil".
De robot beweegt zonder de ingestelde route te volgen.	Zorg ervoor dat voorwerpen zoals netsnoeren en slippers opgeruimd zijn voordat u de robot gebruikt. Werken op natte, gladde oppervlakken veroorzaakt slippen van het hoofdwiel. Het wordt aanbevolen om de natte plekken te drogen voordat u de robot gebruikt. Veeg de 3D-lijnlasersensor op de robot schoon met een schone, zachte doek om deze schoon en onbelemmerd te houden.
De robot mist de kamers die moeten worden gereinigd.	Zorg ervoor dat de deuren van de kamers die moeten worden gereinigd geopend zijn. Controleer of er een drempel hoger dan ongeveer 2 cm is bij de deur van de kamer. De robot kan niet over hoge drempels of treden klimmen. De plek vóór de kamer die moet worden gereinigd kan nat en glad zijn, waardoor de robot abnormaal slipt en werkt. Probeer de vloer te drogen voordat u de robot gebruikt.

Probleem	Oplossing
De robot zal na het opladen niet verder gaan met reinigen.	Zorg ervoor dat de robot niet is ingesteld op de Niet-Storen-modus (DND), waardoor deze het reinigen niet kan hervatten. De robot zal de reiniging niet hervatten nadat u de robot handmatig op het basisstation hebt geplaatst of via de app of de knop  de robot hebt gestuurd om op te laden.
Het basisstation kan niet automatisch de stofbak ledigen.	Controleer of de stofzak in het stofreservoir vol is. Als de stofzak niet vol zit, controleer dan of de openingen voor het automatisch ledigen van de robot, het basisstation of de stofbak geblokkeerd zijn. Verwijder eventuele verstoppingen op tijd.
Het waterniveau in het wasbord is abnormaal.	Controleer of de afdichting op de vuilwatertank los zit, of onjuist geplaatst is, en corrigeer dit indien nodig. Als het probleem aanhoudt, neem dan contact op met de klantenservice. Druk voorzichtig de vuilwatertank naar beneden om zeker te zijn dat deze correct geplaatst is. Verwijder het wasbord en controleer of de afvoer verstopt is en maak deze schoon. Controleer het reinigingsmiddel. Vul niet bij met andere dan het officieel voorgeschreven reinigingsmiddel.
De dweilpadhouder is abnormaal omhoog gebracht.	Verwijder de dweilpadhouder om te controleren of er een vreemd voorwerp in vastzit en probeer de robot opnieuw te starten. Als het probleem aanhoudt, neem dan contact op met de klantenservice.
Er staat water onder de schoonwatertank of rond de afdichting.	Bij het uitnemen van de schoonwatertank kan er wat water in de leiding achterblijven onder de tank of rond de afdichting. Dit is normaal. Veeg af met een droge doek.

Neem voor meer ondersteuning contact met ons op via <https://mova-tech.com>

## Robot

Model	RLE51SE
Oplaadtijd	Ongeveer 3,5 uur
Nominale spanning	14,4 V $\overline{\text{---}}$
Nominaal vermogen	75 W
Werkingsfrequentie	2400-2483,5 MHz
Maximaal uitgangsvermogen	< 20 dBm

## Basisstation

Model	RCEE0301
Nominale ingang	220-240 V $\sim$ 50-60 Hz
Nominale uitgang	20 V $\overline{\text{---}}$ 2 A
Nominaal vermogen (tijdens lediging van stof)	700 W
Nominaal vermogen (tijdens reinigen)	40 W
Nominaal vermogen (tijdens opladen en drogen)	89 W

Onder normale gebruiksomstandigheden moet de afstand tussen de antenne en het lichaam van de gebruiker ten minste 20 cm bedragen.

**Opmerking:** Het nominale vermogen (tijdens opladen en drogen) wordt bepaald door de vermogenswaarde tijdens volledige belasting.

De ingebouwde lithium-ion batterij bevat stoffen die gevaarlijk zijn voor het milieu. Voordat u de batterij weggooit, moet u ervoor zorgen dat de batterij door gekwalificeerde technici wordt verwijderd en bij een geschikt recyclingbedrijf wordt ingeleverd.

- de batterij moet uit het toestel worden verwijderd voordat deze wordt afgedankt;
- bij het verwijderen van de batterij moet het toestel van de stroomvoorziening worden losgekoppeld;
- de batterij moet veilig worden weggegooid.

**VOORZICHTIG:**

Voordat u de batterij verwijdert, moet u de stroom uitschakelen en de batterij zoveel mogelijk leeg laten lopen.

Niet noodzakelijke batterijen moeten worden ingeleverd bij een geschikt recyclingbedrijf.

Stel niet bloot aan een omgeving met hoge temperaturen om explosiegevaar te voorkomen.

Onder extreme omstandigheden kan er vloeistof uit de batterij lekken. Bij aanraking, spoel met water en zoek medische hulp.

**Verwijderingsgids:**

1. Draai de robot ondersteboven, gebruik een geschikt gereedschap om de schroeven aan de achterkant van de robot te verwijderen en verwijder vervolgens de afdekking.
2. Maak de klemmen tussen de batterij en de printplaat los om de batterij te verwijderen.

**AEEA-informatie**



Alle producten met dit symbool zijn afgedankte elektrische en elektronische apparatuur (AEEA zoals in richtlijn 2012/19/EU) die niet samengevoegd mogen worden met ongesorteerd huishoudelijk afval. In plaats daarvan moet u de volksgezondheid en het milieu beschermen door uw afgedankte apparatuur in te leveren bij een door de overheid of de plaatselijke autoriteiten aangewezen inzamelpunt voor het recyclen van afgedankte elektrische en elektronische apparatuur. Een correcte verwijdering en recycling zal mogelijke negatieve gevolgen voor het milieu en de volksgezondheid helpen voorkomen. Neem contact op met de installateur of de plaatselijke autoriteiten voor meer informatie over de locatie en de voorwaarden van dergelijke inzamelpunten.

**For å unngå elektrisk støt, brann eller skade forårsaket av feil bruk av apparatet, må du lese bruksanvisningen nøye før du bruker apparatet og oppbevare den for fremtidige oppslag.**

**Bruksbegrensninger**

- Dette produktet må ikke brukes av barn yngre enn 8 år eller av personer med fysiske, sensoriske, intellektuelle mangler, eller med begrenset erfaring eller kunnskap dersom det skjer uten tilsyn av en forelder eller foresatt for å sikre sikker bruk og for å unngå risiko. Rengjøring og vedlikehold må ikke utføres av små barn uten tilsyn.
- Apparatet skal kun benyttes sammen med strømforsyningen som er levert med apparatet.
- Dette apparatet inneholder batterier som bare kan byttes av erfarne personer.
- Rydd området som skal rengjøres. Barn skal ikke leke med produktet. Sørg for at barn og kjæledyr holdes på trygg avstand fra roboten mens den er i drift.
- Ikke installer, lad eller bruk apparatet på bad eller rundt bassenger.
- Dette produktet er kun ment for gulvrenngjøring i et hjemmemiljø. Ikke bruk det utendørs, på andre overflater enn gulv, eller i kommersielle eller industrielle omgivelser.
- Sørg for at apparatet fungerer som det skal og er i et riktig miljø. Ellers må du ikke bruke apparatet.
- Hvis strømledningen er skadet, må den byttes av en spesiell ledning eller enhet tilgjengelig fra produsenten eller deres servicerepresentant.
- Ikke bruk roboten i områder over bakkenivå uten en beskyttende barriere.

## Sikkerhetsinformasjon

- Bruksbegrensninger**
- Ikke plasser roboten opp-ned. Ikke bruk LDS-dekselet, robotdekselet eller støtfangeren som håndtak for roboten.
  - Bruk roboten i miljøer med en omgivelsestemperatur over 0 °C og under 40 °C. Sørg for at det ikke er væske eller klissete stoffer på gulvet.
  - For å forhindre skade eller at noe dras løs, fjernes eventuelle løse gjenstander fra gulvet samt kabler eller strømledninger fra rengjøringsbanen før du bruker apparatet.
  - Fjern skjøre eller små gjenstander fra gulvet for å forhindre at roboten støter på og skader dem.
  - Hold hår, fingre og andre kroppsdeler unna robotens sugeåpning.
  - Oppbevar rengjøringsverktøyet utilgjengelig for barn.
  - Ikke bruk apparatet i et rom der et spedbarn eller barn sover.
  - Ikke plasser barn, kjæledyr eller andre gjenstander oppå roboten, uansett om den står stille eller beveger seg.
  - Kun rent vann og den offisielt godkjente rengjøringsløsningen kan tilsettes rentvannstanken. Ikke tilsett annen væske som alkohol eller desinfeksjonsmiddel. Forholdet mellom rengjøringsløsningen og rent vann kan kontrolleres på flasken med rengjøringsløsningen. Oppbevar rengjøringsløsningen utilgjengelig for barn.
  - Ikke bruk roboten til å rengjøre brennende gjenstander. Ikke bruk roboten til å plukke opp brannfarlige eller brennbare væsker, etsende gasser, ufortynnede syrer eller løsemidler.

## Sikkerhetsinformasjon

- Bruksbegrensninger**
- Ikke støvsug harde eller skarpe gjenstander. Ikke bruk apparatet til å plukke opp gjenstander som steiner, store papirbiter eller gjenstander som kan tette apparatet.
  - Støpselet må tas ut av stikkontakten før rengjøring eller vedlikehold av apparatet.
  - Ikke tørk robotstøvsugeren eller basestasjonen med en våt klut, og ikke skyll dem med væske. Etter rengjøring av vaskbare deler, tørk delene helt før du installerer og bruker dem igjen.
  - Bruk dette produktet i samsvar med instruksjonene i brukerhåndboken. Brukerne er ansvarlige for tap eller skade som oppstår fra feil bruk av dette produktet.
- Batterier og lading**
- Ikke bruk batterier eller basestasjon fra tredjepart. Robotstøvsugeren kan kun brukes med RCEE0301-basestasjonen.
  - Ikke forsøk å demontere, reparere eller modifisere batteriet eller basestasjonen på egenhånd.
  - Ikke plasser basestasjonen nær en varmekilde.
  - Ikke bruk en våt klut eller våte hender til å tørke eller rengjøre basens ladekontakter.
  - Ikke avhend gamle batterier på feil måte. Brukte batterier må avhendes hos et passende gjenvinningsanlegg.

## Batterier og lading

- Hvis strømledningen blir skadet eller ødelagt, må du slutte å bruke den umiddelbart og kontakte produktstøtten.
- Sørg for at roboten er slått av når den transporteres, og at den oppbevares i originalemballasjen hvis mulig.
- Hvis roboten ikke skal brukes over en lengre periode, må den lades helt opp, slås av og oppbevares på et kjølig, tørt sted. Lad opp roboten minst én gang hver 3. måned for å unngå overutlading av batteriet.

## Lasersikkerhetsinformasjon

- Lasersensoren i dette produktet oppfyller standarden IEC 60825-1:2014/EN 60825-1:2014/A11:2021 for klasse 1-laserprodukter. Unngå direkte øyekontakt med den under bruk.

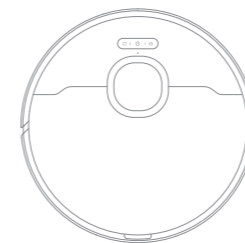
KLASSE 1-LASERPRODUKT  
FORBRUKERLASERPRODUKT  
EN 50689:2021

Med dette erklærer Dreame Trading (Tianjin) Co., Ltd at radioutstyret type RLE515E er i samsvar med direktiv 2014/53/EU. Den komplette teksten til EU-samsvarserklæringen er tilgjengelig på følgende internettsadresse: <https://mova-tech.com>

For en detaljert elektronisk bruksanvisning kan du besøke <https://www.mova-tech.com/pages/user-manuals-and-faqs>

## Produktoversikt

## Pakkens innhold



Robot



Basestasjon



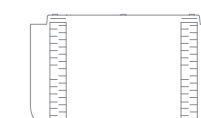
Sidebørste



Strømledning



Bruksanvisning

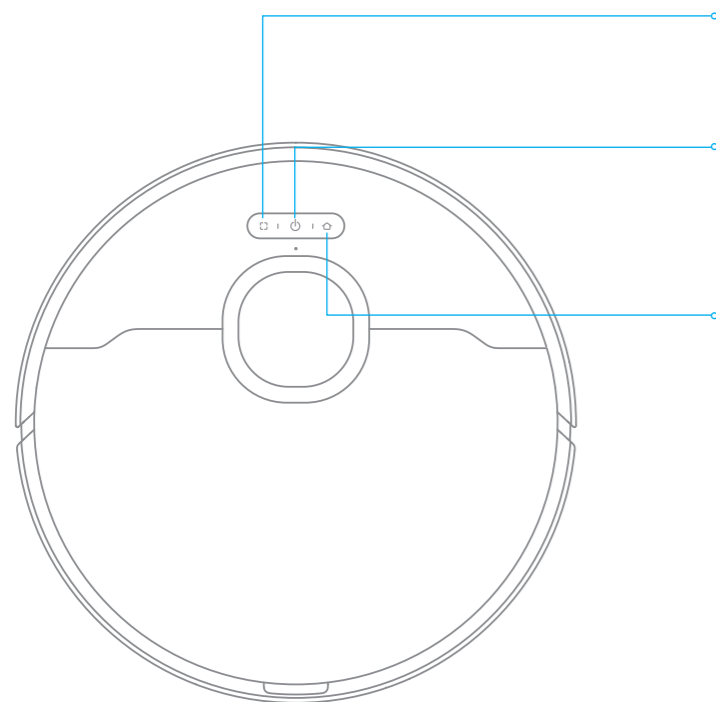


Forlengelsesplate for basestasjonrampe

Moppepute × 2  
(forhåndsmontert)Moppeputeholder  
× 2Støvpose  
(forhåndsmontert)

## Annet tilbehør

## Robot


**Områderengjøringsknapp**

- Trykk for å starte punktrensing

**Strøm/rengjøringsknapp**

- Trykk og hold i 3 sekunder for å slå den på eller av
- Trykk for å starte rengjøringen etter at roboten er slått på

**Dockingknapp**

- Trykk for å sende roboten tilbake til basestasjonen
- Trykk og hold i 3 sekunder for å deaktivere barnesikring

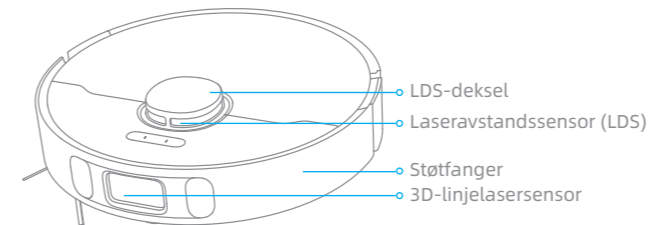
**Statusindikator**

- Fast hvit: Rengjøring eller opprydding er fullført
- Pulserende hvit: Lader (ikke lavt batteri)
- Fast oransje: Standby ved lavt batteri eller pause ved lavt batteri
- Pulserende oransje: Lader (lavt batteri)
- Blinkende oransje: Feil

**Merk:**

- Trykk på en vilkårlig knapp på roboten for å pause mens roboten rengjør eller går tilbake til lading.
- Barnesikring kan aktiveres/deaktiveres via appen.

## Robot og sensorer

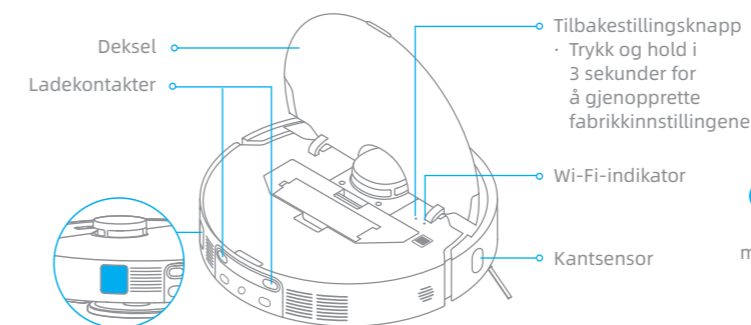


LDS-deksel

Laseravstandssensor (LDS)

Støtfanger

3D-linjelasersensor



Deksel

Ladekontakter

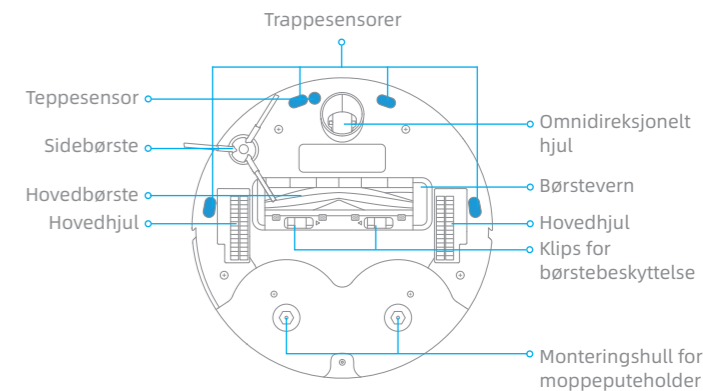
Tilbakestillingsknapp

- Trykk og hold i 3 sekunder for å gjenopprette fabrikkinnstillingene

Wi-Fi-indikator

Kantsensor

Automatisk tømmingsventil



Trappesensorer

Teppesensor

Sidebørste

Hovedbørste

Hovedhjul

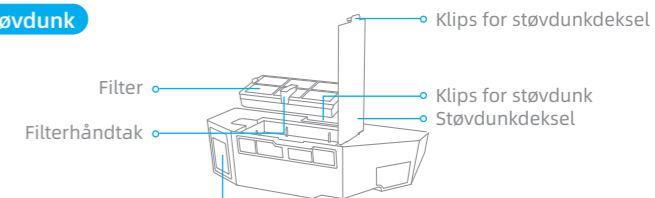
Omnidireksjonelt hjul

Børstevern

Hovedhjul

Klips for børstebeskyttelse

Monteringshull for moppeuteholder

**Støvdunk**


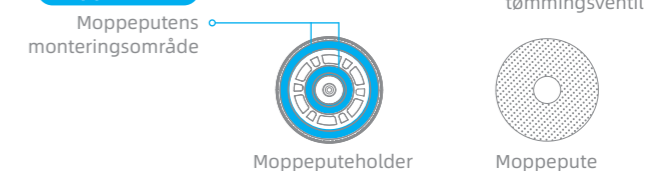
Klips for støvdunkdeksel

Filter

Klips for støvdunk

Støvdunkdeksel

Filterhåndtak

**Moppeenhet**


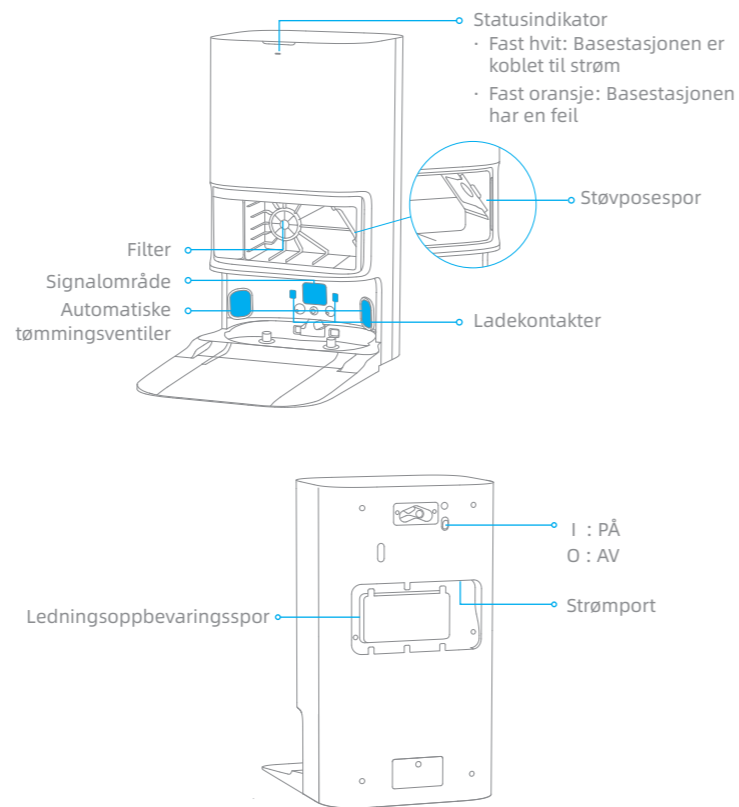
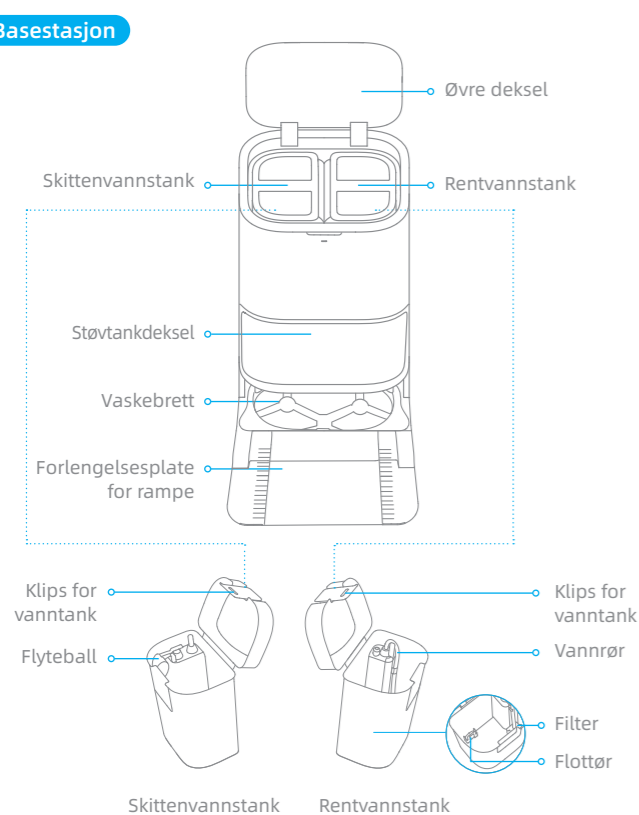
Moppeputens monteringsområde

Automatisk tømmingsventil

Moppeuteholder

Moppepute

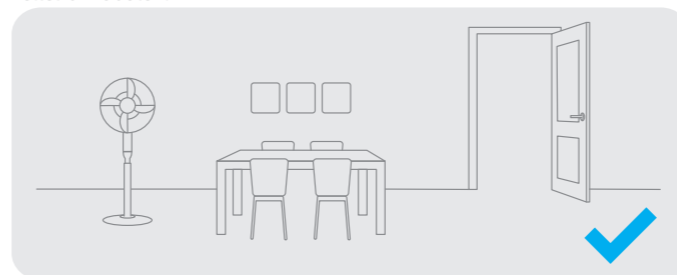
## Basestasjon



## Forberedelser i hjemmet ditt



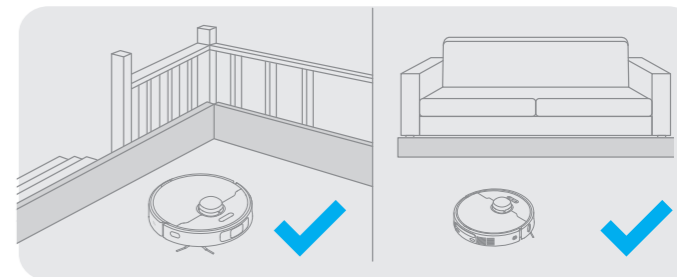
Før rengjøring bes du fjerne ustabile, skjøre, verdifulle eller farlige gjenstander. Rydd opp i kabler, kluter, leker, harde og skarpe gjenstander på gulvet. Det gjøres for å unngå mulige skader ved at de vikles inn, ripes eller veltes av roboten.



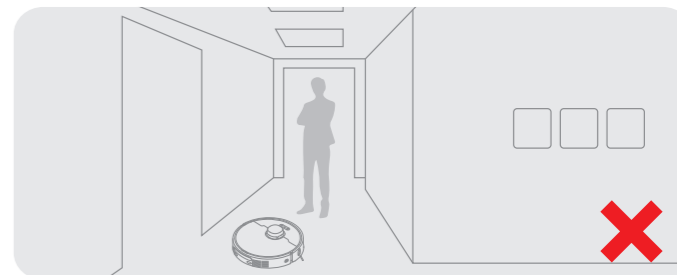
Åpne døren til rommet som skal rengjøres og plasser møbler på riktig sted for å lage mer plass.

## Merk:

- Når du bruker roboten for første gang, må du følge den rundt mens den rengjør for å fjerne eventuelle hindringer i tide.
- Ikke støvsug harde gjenstander som steiner, stålkuler og leketøysdeler, eller skarpe gjenstander som byggeavfall, knust glass og spiker, siden dette kan føre til riper i gulvet.



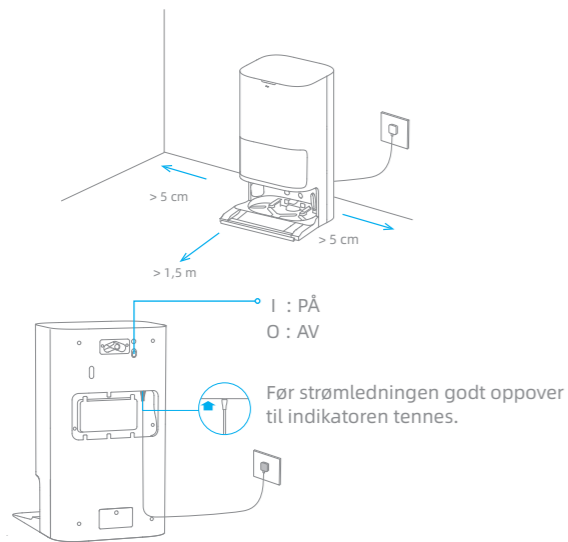
Før rengjøring plasseres en fysisk barriere foran trapper og sofaer, for å sikre sikker og jevn drift av roboten.



For å hindre at roboten ikke gjenkjenner området som rengjøres, må du ikke stå foran roboten, dørstokker, ganger eller trange steder.

### 1. Plasser ladestasjonen og koble den til en stikkontakt

Plasser basestasjonen på et sted som er så åpent som mulig med et godt Wi-Fi-signal. Fjern alle gjenstander som er nærmere enn 1,5 m fra fronten og 5 cm fra hver side av basestasjonen. Sett strømledningen inn i basen og plugg den inn i stikkontakten.



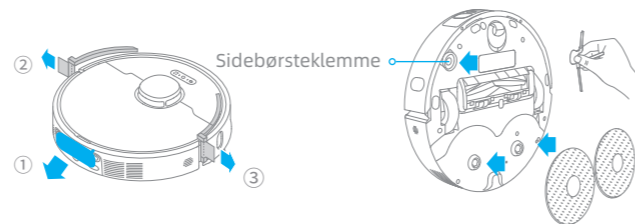
#### Merk:

- Sørg for at ingen objekter blokkerer signalområdet.
- For å hindre vannflekker fra å fukte tregulv eller tepper, anbefales det å plassere basestasjonen på flisgulv eller marmorgulv.

### 2. Monter forlengelsesplate for rampen

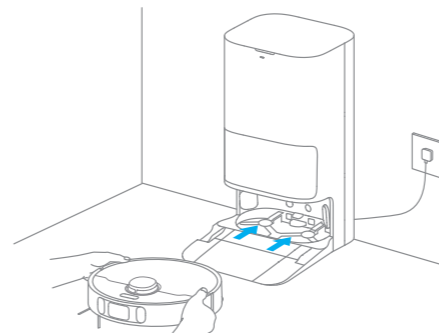


### 3. Fjern robotbeskyttelsen og installer sidebørsten og moppeheten



### 4. Koble roboten til basestasjonen

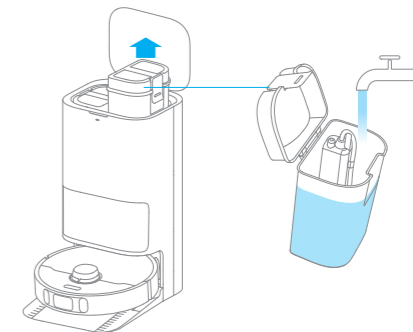
Trykk og hold inne -knappen i tre sekunder for å slå på den på. Plasser roboten på basestasjonen med moppen vendt mot vaskebrettet. Deretter hører du et talevarsel når roboten kobles til stasjonen.



**Merk:** Det anbefales å lade roboten helt opp før den tas i bruk for første gang. Hvis roboten ikke kan slås på etter at batteriet er utladet, kobler du roboten manuelt til stasjonen for å lade den.

### 5. Tilsett vann i rentvannstanken

Ta ut rentvannstanken fra basestasjonen og fyll den opp med rent vann. Installer den deretter tilbake i basestasjonen.



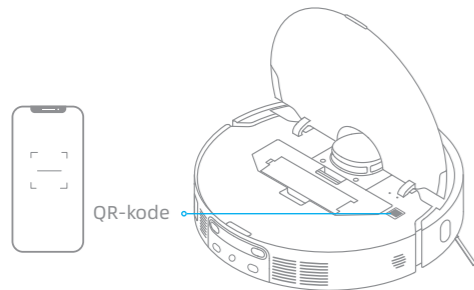
**Merk:** Ikke tilsett varmt vann i vannstanken, siden dette kan føre til at beholderen blir deformert.



## Koble til appen

### 1. Last ned appen

Skann QR-koden på roboten for å laste ned og installere appen.



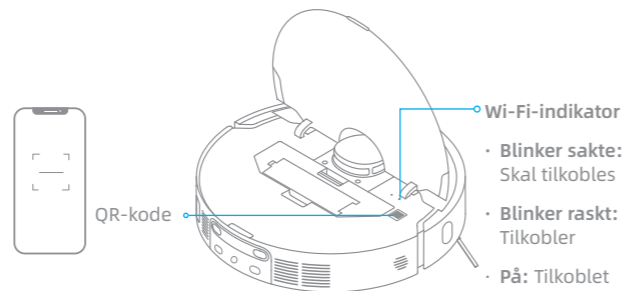
#### Merk:

- Bare 2,4 GHz Wi-Fi støttes.
- På grunn av oppgraderinger i appens programvare, kan de faktiske operasjonene avvike fra setningene i denne bruksanvisningen. Følg instruksjonene i den gjeldende appversjonen.

### 2. Legg til enhet



Åpne appen, trykk på «Skann QR-kode for å koble til», og skann den samme QR-koden på roboten igjen for å legge til enheten. Følg instruksjonene for å fullføre Wi-Fi-tilkoblingen.

**Merk:** Hvis du vil tilbakestille Wi-Fi, gjentar du trinn 2 og følger deretter instruksjonene for å fullføre Wi-Fi-tilkoblingen.



## Bruk

### Slå på/av

Trykk og hold inne -knappen i 3 sekunder for å slå på roboten. Strømindikatoren skal lyse. Plasser roboten på basestasjonen. Roboten slår seg automatisk på og begynner å lade. For å slå av roboten, flytter du roboten bort fra basestasjonen og trykker på og holder inne -knappen i 3 sekunder.

### Rask kartlegging

Etter å ha konfigurert nettverket for første gang, følger du instruksjonene i appen for raskt å lage et kart. Roboten vil begynne å kartlegge uten rengjøring. Når roboten kommer tilbake til basestasjonen, er kartleggingsprosessen fullført og kartet lagres automatisk.

### Pause/dvale

Når roboten er i bruk, kan du trykke på en vilkårlig knapp for å sette den på pause. Hvis roboten er satt på pause i mer enn 10 minutter, går den automatisk i dvalemodus. Alle indikatorer på roboten slår seg av. Trykk på en vilkårlig knapp på roboten, eller trykk på appen for å vekke roboten.

**Merk:** Hvis roboten settes på pause og plasseres på basestasjonen, vil den gjeldende rengjøringsprosessen avsluttes.

### Auto-gjenoppta rengjøring

Når robotstøvsugeren har for lite batteri, går den automatisk tilbake til basestasjonen for lading. Etter å ha ladet til riktig batterinivå, gjenopptar den uferdige rengjøringsoppgaver.

**Merk:** Aktiver den i appen for å bruke denne funksjonen.


### Ikke forstyr-modus

Når roboten er satt til Ikke forstyr-modus, forhindres den fra å gjenoppta rengjøringen og strømindikatoren slukker. Ikke forstyr-modus er deaktivert som standard. Du kan bruke appen til å aktivere Ikke forstyr-modus eller endre Ikke forstyr-perioden. Ikke forstyr-perioden er fra kl. 22:00 til kl. 08:00 som standard.



#### Merk:

- Planlagte rengjøringsoppgaver utføres som normalt i Ikke forstyr-perioden.
- Roboten gjenopptar rengjøringen der den slapp etter at Ikke forstyr-perioden utløper.

### Områderengjøring

Når roboten er i standby, trykker du kort på -knappen for å aktivere områderengjøringsmodus. I denne modusen rengjør roboten et kvadratisk område på 1,5 x 1,5 meter rundt seg, og går tilbake til startpunktet når områderengjøringen er fullført.

### Starte roboten på nytt

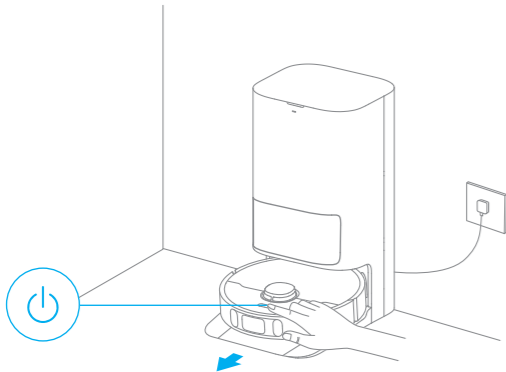
Hvis roboten slutter å reagere eller ikke kan slås av, trykker du på og holder nede -knappen i 10 sekunder for å tvinge den av. Trykk deretter på og hold inne -knappen i 3 sekunder for å slå på roboten.

**Støvsuge og moppe**

**Merk:** Når du bruker moppeenheten for første gang, utfører roboten «feie- og moppe»-oppgaven som standard.

**1. Starte rengjøring**

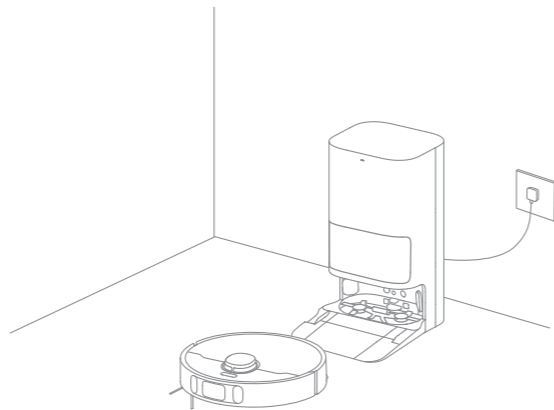
Trykk på -knappen på roboten eller bruk appen for å få robotstøvsugeren til å starte fra basestasjonen. Deretter planlegger roboten den optimale rengjøringsruten og utfører rengjøringsoppgaven basert på det opprettede kartet.

**Merk:**

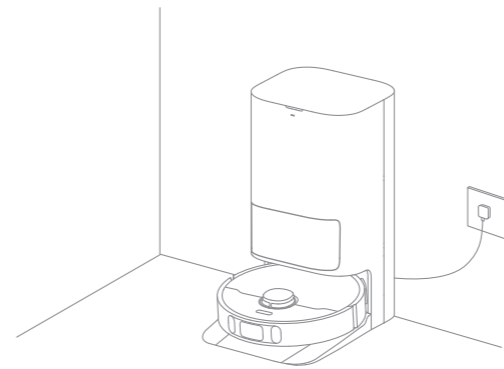
- For å sikre at roboten enkelt returnerer til basestasjonen etter rengjøring, anbefales det å få roboten til å starte fra basestasjonen.
- Vent et øyeblikk mens moppeputene rengjøres før robotstøvsugeren starter moppingen.
- Ikke flytt basestasjonen, rentvannstanken, skittenvannstanken eller vaskebrettet mens den er i drift.

**2. Automatisk moppevask**

Under rengjøring vil roboten automatisk gå tilbake til basestasjonen for å vaske moppeputene, basert på rengjøringsfrekvensen for moppeputer spesifisert i appen.

**3. Tøm støvboksen automatisk og vask og tørk moppeputene**

Etter at robotstøvsugeren har fullført en rengjøringsoppgave og går tilbake til basestasjonen for å lade, begynner basestasjonen automatisk å tømme støvdunken. Deretter vil den vaske og tørke moppeputene.

**Merk:**

- Hvis den automatiske tømme-funksjonen er slått av i appen, vil ikke basestasjonen automatisk tømme støvdunken.
- Basestasjonen tømmer støvdunken i henhold til innstillingene i appen.

**4. Rengjør skittenvannstanken**

Etter at robotstøvsugeren har fullført oppgaven, må du rengjøre skittenvannstanken for å forhindre lukt.

**Mopping etter støvsuging**

Aktiver mopping etter støvsuging-funksjonen i appen, og roboten løfter automatisk moppeenheten på basestasjonen for å støvsuge gulvet. Etter at støvsugingen er fullført, går roboten tilbake for å tømme støvdunken. Deretter begynner den å tørke, etter automatisk senking av moppeenheten.

**Kun støvsuge**

Aktiver støvsugingsfunksjonen i appen, og roboten løfter automatisk moppeenheten og starter støvsuging.

**Kun moppe**

Aktiver moppefunksjonen i appen, så kontrollerer roboten om moppen er installert. Hvis ikke, kan du installere moppeenheten manuelt, deretter begynner roboten å moppe automatisk.

## Deler

For å holde roboten i god stand, anbefales det å se bruken av tilbehør i appen eller følgende tabell for rutinemessig vedlikehold.

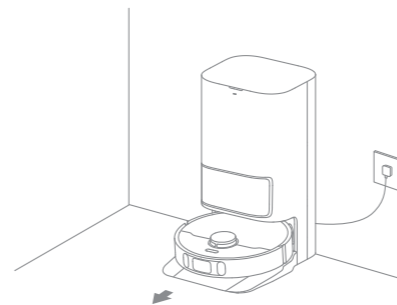
Del	Vedlikeholdshyppighet	Bytteperiode
Skittenvannstank	Etter hver bruk	/
Rentvannstank	En gang hver 2. uke	/
Hovedbørste		Hver 6. til 12. måned
Støvdunkens filter		Hver 3. til 6. måned
Sidebørste		/
Moppeputeholder	/	/
Vaskebrett	En gang hver måned	/
Basestasjonens signalområde		/
Ladekontakter		/
Automatiske tømingsventiler		/
Omnidireksjonelt hjul		/
Kantsensor		/
Laseravstandssensor (LDS)		/
3D linjelasersensor		/

Del	Vedlikeholdshyppighet	Bytteperiode
Teppesensor	En gang hver måned	/
Trappesensorer		/
Støtfanger		/
Robotens bunn		/
Støvdunk	Rengjør ved behov	/
Støvpose	/	Hver 2. til 4. måned
Moppepute	/	Hver 1. til 3. måned

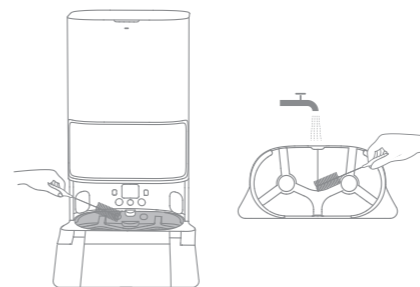
**Merk:** Utskiftningshyppigheten avhenger av din bruk av roboten. Hvis det oppstår unntak på grunn av spesielle omstendigheter, bør delene byttes.

## Vaskebrettbase

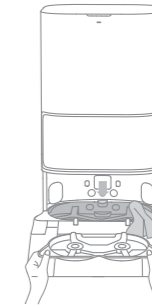
1. Aktiver funksjonen for rengjøring av vaskebrettbasen i appen, og roboten går ut av basestasjonen automatisk. Ta ut vaskebrettet og vent til vannet fyller bunnen av basestasjonen.




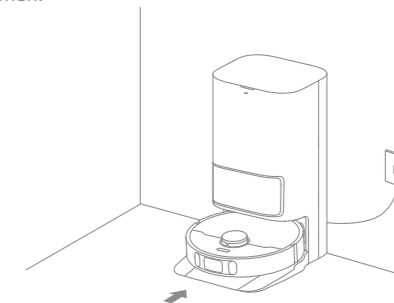
2. Skyll vaskebrettet med rent vann, og bruk et egnet rengjøringsverktøy til å rengjøre bunnen av basestasjonen.



3. Etter et øyeblikk vil basestasjonen automatisk pumpe ut det brukte vannet. Tørk den deretter med en myk og tørr klut, og sett vaskebrettet tilbake på plass.



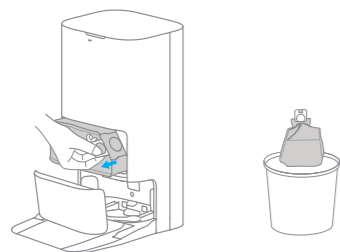
4. Bruk appen eller trykk kort på  -knappen på roboten for å få den tilbake til basestasjonen.



**Merk:** Ikke få roboten til å gå tilbake til basestasjonen under rengjøring.

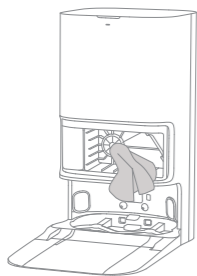
## Støvpose

1. Fjern støvtankdekelet og kast støvposen.

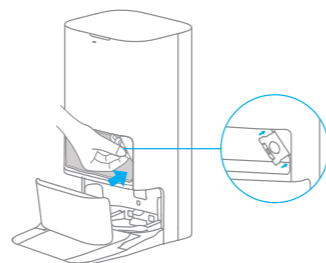


**Merk:** Ved å trekke opp håndtaket vil posen forsegles for å forhindre at støv og smuss utslisattet faller ut.

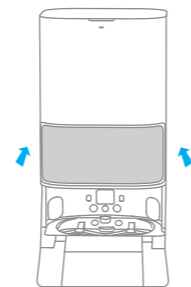
2. Fjern støv og rusk fra filteret med en tørr klut.



3. Installer en ny støvpose.

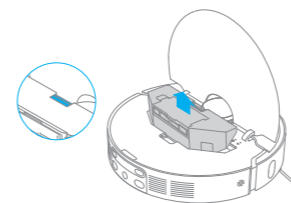


4. Sett på plass støvtankdekelet.

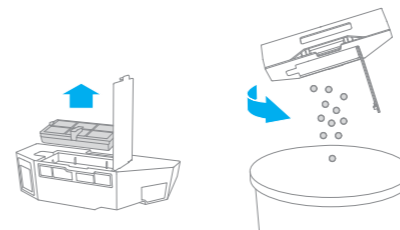


## Støvbeholder og filter

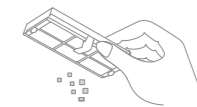
1. Åpne robotdekelet og trykk på støvbeholderklemmen for å fjerne støvbeholderen.



2. Åpne støvboksens deksel, fjern filteret og tøm deretter støvboksen som vist i diagrammet.

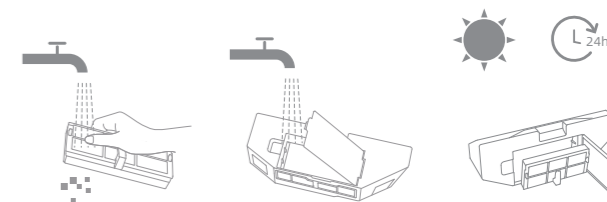


3. Bank forsiktig på kurven til filteret for å fjerne smuss.



**Merk:** Ikke forsøk å rengjøre filteret med en børste, en finger eller en skarp gjenstand. Dette kan forårsake skade.

4. Skyll støvdunken og filteret under rennende vann, og la tørke før du installerer dem igjen.



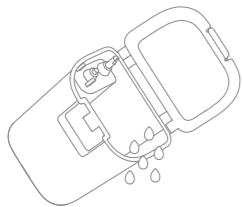
**Merk:**

- Skyll støvdunken og filteret kun med rent vann. Ikke bruk noe vaskemiddel.
- Bruk støvdunken og filteret kun når de er helt tørre.

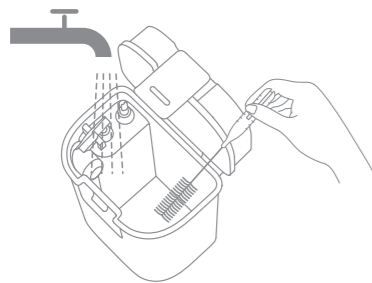
## Rutinmessig vedlikehold

### Skittenvannstank

1. Fjern skittenvannstanken, åpne lokket og hell ut det skitne vannet.



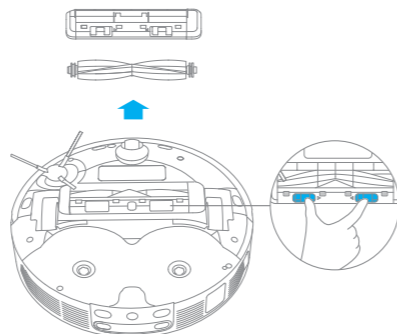
2. Skyll skittenvannstanken med rent vann, og bruk et egnet rengjøringsverktøy til å rengjøre den indre veggen av skittenvannstanken.



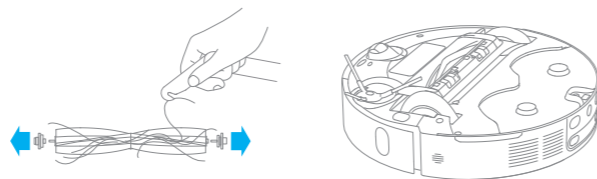
**Merk:** Flytekulen i skittenvannstanken er en bevegelig del. Ikke bruk for mye kraft når du rengjør den for å unngå skader.

### Hovedbørste

1. Trykk børstevernklipsen innover for å fjerne børstevernet og løfte børsten ut av roboten.



2. Trekk ut børstedekslene i begge endene av børsten som vist på figuren. Bruk et ordentlig rengjøringsverktøy for å fjerne eventuelle hår som er filtret i børsten. Sett på plass børstedekslene på begge ender av børsten, og sett deretter på igjen børsten. Trykk på børstebeskyttelsen for å låse den på plass.



## Rutinmessig vedlikehold

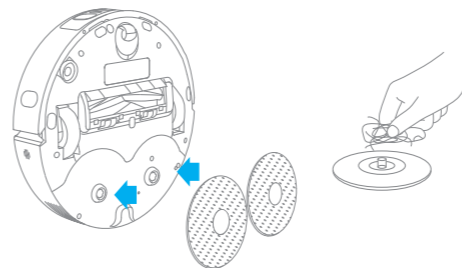
### Sidebørste

Fjern og rengjør sidebørsten.

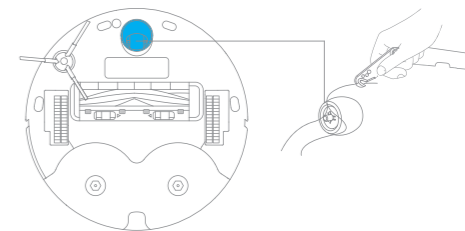


### Moppeputeholder

Fjern og rengjør moppeputeholderen.



### Omnidireksjonelt hjul



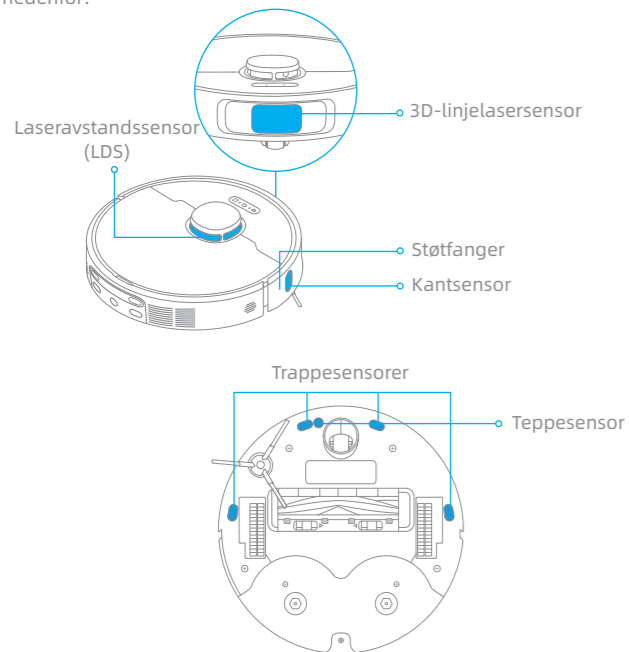
#### Merk:

- Bruk et verktøy slik som en liten skrutrekker for å skille akselen og dekket på omnidireksjonshjulet. Ikke bruk overdreven kraft.
- Skyll omnidireksjonshjulet under rennende vann og plasser det tilbake etter at det har tørket helt.

## Rutinemessig vedlikehold

### Robotsensorer

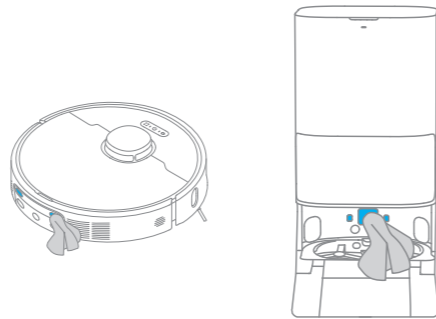
Tørk av robotsensorene ved å bruke en myk og tørr klut, som vist i figuren nedenfor:



**Merk:** En våt klut kan skade sensitive elementer på roboten og basestasjonen. Bruk en tørr klut til rengjøring.

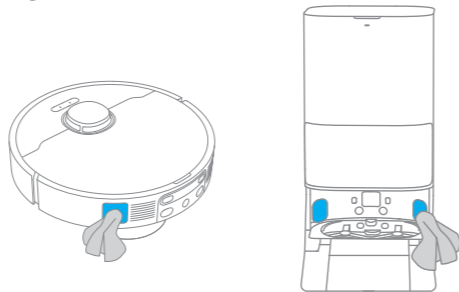
### Ladekontakter og signalområde

Rengjør ladekontaktene og signalområdet med en myk og tørr klut.



### Automatiske tømingsventiler

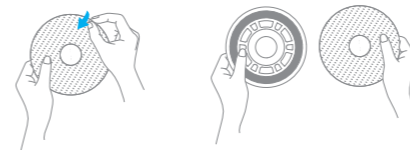
Rengjør de automatiske tømingsventilene på roboten og basestasjonen med en myk og tørr klut.



## Rutinemessig vedlikehold



### Moppepute


Fjern moppeputen fra moppeputeholderen for å skifte den.



### Batteri

Roboten inneholder en høytytelses litium-ion batteripakke. Sørg for at batteriet forblir godt ladet for daglig bruk, for å opprettholde optimal batteritytelse. Hvis roboten ikke skal brukes over en lengre periode, slår du den av og legger den bort. For å forhindre skader fra overutlading, lades roboten minst én gang hver tredje måned.

Problem	Løsning
Roboten slår seg ikke på.	Det er lite batteri. Lad opp roboten på basen og prøv deretter på nytt. Temperaturen på batteriet er for lav eller for høy. Det anbefales å bruke apparatet ved en temperatur mellom 32 °F (0 °C) og 104 °F (40 °C).
Roboten vil ikke lade.	Basestasjonen er ikke koblet til strøm, sørg for at begge endene av strømledningen er riktig tilkoblet. Kontakten mellom ladekontaktene på basestasjonen og robotstøvsugeren er dårlig, rengjør ladekontaktene. Kontroller om det er fremmedlegemer ved kontakten til roboten og fjern eventuelt fremmedlegemer.
Roboten klarer ikke å koble til Wi-Fi.	Wi-Fi-passordet er feil. Kontroller at passordet som brukes for å koble til Wi-Fi-nettverket er riktig. Roboten støtter ikke en 5 GHz Wi-Fi-tilkobling. Sørg for at roboten er koblet til en 2,4 GHz Wi-Fi-tilkobling. Wi-Fi-signalet er svakt. Sørg for at roboten er i et område med god Wi-Fi-dekning. Roboten er kanskje ikke klar til å konfigureres. Avslutt og gå inn i appen på nytt, og prøv igjen som instruert.
Robotstøvsugeren kan ikke finne og returnere til basestasjonen.	Basestasjonen kobles fra strøm eller flyttes når roboten ikke er på den. Koble basestasjonen til strømforsyningen eller plasser roboten på basestasjonen for å lade. Det er for mange hindringer rundt basestasjonen. Plasser basestasjonen i et mer åpent område. Flytting av roboten kan føre til at den endrer posisjon på egen hånd, og den lager et nytt kart dersom omplasseringen mislykkes. Hvis roboten er for langt fra basestasjonen, kan det være den ikke returnerer av seg selv til basen. I så fall må du manuelt plassere roboten på basestasjonen. Tørk av signalområdet på basestasjonen for å fjerne støv eller rusk.
Roboten setter seg fast foran basestasjonen og kan ikke gå tilbake til den.	Fjern eventuelle hindringer innen 5 cm på venstre og høyre side eller innen 1,5 m foran basestasjonen, for å forhindre at robotstøvsugeren blokkeres. Ruten for retur til lading er sperret, f.eks. at døren er lukket. Roboten kan gli hvis gulvet foran basestasjonen er for vått. Rengjør i så fall overflødig vann før du prøver igjen. Det anbefales å flytte basestasjonen til et annet sted og prøve på nytt. Sørg for at rampens forlengelsesplate er ordentlig installert.
Roboten vil ikke slå seg av.	Roboten kan ikke slås av når den lader. Det anbefales å flytte robotstøvsugeren fra basestasjonen, og deretter trykke og holde inne  -knappen i tre sekunder for å slå den av. Hvis roboten ikke kan slås av ved å utføre trinn 1, trykker du på og holder inne  -knappen i 10 sekunder for å tvinge roboten av. Hvis problemet vedvarer, bes du kontakte produktstøtten.

Problem	Løsning
Ladehastigheten er lav.	Det tar omtrent 3,5 timer å lade roboten helt når batteriet er lavt. Hvis du bruker roboten ved temperaturer utenfor det spesifiserte området, reduseres ladehastigheten automatisk for å forlenge batteriets levetid. Ladekontaktene på både roboten og basen kan være skitne, tørk dem av med en tørr klut.
Støyen øker mens roboten er i drift.	Kontroller om støvdunkfilteret er tilstoppet. Hvis ja, rengjør den eller bytt den ut. En hard gjenstand kan sette seg fast i hovedbørsten eller i støvdunken. Kontroller og fjern eventuelle harde gjenstander. Hovedbørsten eller sidebørsten kan bli sammenfiltret. Kontroller og fjern eventuelle fremmedobjekter. Bytt sugemodus til Standard eller Stille.
Roboten beveger seg uten å følge den angitte ruten.	Gjenstander som strømledninger og tøfler bør organiseres før du bruker roboten. Arbeid på våte og glatte overflater får hovedhjulet til å skli. Det anbefales å tørke de våte stedene før du bruker roboten. Tørk av 3D linjelasersensoren på roboten med en ren og myk klut for å holde den ren og uhindret.
Roboten går glipp av rommene som skal rengjøres.	Sørg for at dørene til rommene som skal rengjøres er åpne. Kontroller om det er en terskel høyere enn ca. 2 cm ved døren til rommet. Roboten kommer ikke over høye terskler eller trinn. Området i rommet som skal rengjøres kan være vått og glatt, noe som får roboten til å skli og fungere unormalt. Tørk gulvet før du bruker roboten.
Roboten vil ikke gjenoppta rengjøringen etter lading.	Sørg for at roboten ikke er stilt inn på Ikke forstyrr-modus, som forhindrer at den fortsetter rengjøringen. Roboten gjenopptar ikke rengjøringen etter at du manuelt har plassert roboten på basestasjonen, eller har sendt roboten til lading via appen eller  -knappen.

Problem	Løsning
Stasjonen kan ikke tømme støvdunken automatisk.	Kontroller om støvposen i støvtanken er full. Hvis støvposen ikke er full, må du kontrollere om det er noen hindringer ved auto-tømmeventilene til robotstøvsugeren, basestasjonen eller støvdunken. I så fall må den blokkerte delen ryddes.
Vannivået i vaskebrettet er unormalt.	Kontroller om forseglingen på skittenvannstanken er løs eller ikke riktig installert, og tilbakestill den i så fall manuelt. Hvis problemet vedvarer, bes du kontakte produktstøtten. Trykk forsiktig ned på skittenvannstanken for å sikre at den er riktig installert. Ta av vaskebrettet, kontroller om kloakkavløpet er blokkert og rengjør det. Kontroller rengjøringsmiddelet. Ikke tilsett annen væske enn det offisielt godkjente rengjøringsløsningen.
Moppeputeholderen heves unormalt.	Fjern moppeputeholderen for å kontrollere om det sitter fast fremmedlegemer i den, og prøv å starte roboten på nytt. Hvis problemet vedvarer, bes du kontakte produktstøtten.
Det er vann under rantvannstanken eller rundt pakningen.	Når du tar ut rantvannstanken, kan det være igjen litt vann i røret under tanken eller rundt pakningen. Dette er normalt. Tørk av med en myk klut.

For mer hjelp kan vi kontaktes via <https://mova-tech.com>

## Robot

Modell	RLE51SE
Ladetid	Omtrent 3,5 timer
Nominell spenning	14,4 V $\overline{---}$
Nominell effekt	75 W
Driftsfrekvens	2400-2483,5 MHz
Maksimalt utgangseffekt	<20 dBm

## Basestasjon

Modell	RCEE0301
Nominell inngang	220-240 V ~ 50-60 Hz
Nominell utgang	20 V $\overline{---}$ 2 A
Nominell effekt (under støvtømming)	700 W
Nominell effekt (under rengjøring)	40 W
Nominell effekt (under lading og tørking)	89 W

Under normal bruk før dette utstyret holdes i en avstand på minst 20 cm mellom antennen og brukerens kropp.

**Merk:** Nominell effekt (under lading og tørking) avgjøres av effektverdien under full belastningsperiode.



Den innebygde Litium-ion-batteripakken inneholder stoffer som er skadelige for miljøet. Før du avhender batteriet, må du sørge for at batteriet fjernes av kvalifiserte teknikere og avhendes på et egnet resirkuleringsanlegg.

- batteriet må fjernes fra apparatet før det avhendes;
- apparatet må kobles fra strømmettet når du tar ut batteriet;
- batteriet må avhendes på en sikker måte.

#### FORSIKTIG!

Før du tar ut batteriet, må du koble fra strømmen og tømme batteriet så mye som mulig.

Brukte batterier må avhendes hos et passende gjenvinningsanlegg.

Ikke utsett batteriet for høye temperaturer for å unngå risiko for eksplosjon.

Under dårlige forhold kan væske lekke fra batteriet. Hvis det oppstår kontakt må du skylle med vann og kontakte lege.

#### Veiledning for fjerning:

1. Snu roboten, bruk et riktig verktøy for å fjerne skruene på baksiden av roboten, og fjern deretter dekslet.
2. Koble fra polene mellom batteriet og PCB-kortet for å fjerne batteriet.

#### EE-informasjon



Alle produktene utstyrt med symbolet er elektrisk og elektronisk avfall (EE-avfall som i direktiv 2012/19/EU) som ikke skal blandes med usortert husholdningsavfall. Du bør heller beskytte menneskers helse og miljøet ved å overlevere kassert utstyr til et utpekt innsamlingspunkt for resirkulering av elektrisk og elektronisk utstyr, utpekt av myndighetene eller lokale myndigheter. Riktig avhending og resirkulering bidrar til å forhindre mulige negative konsekvenser for miljøet og menneskers helse. Kontakt installatøren eller lokale myndigheter for mer informasjon om plasseringen, samt vilkår og betingelser for slike innsamlingssteder.

För att undvika elektriska stötar, brand eller skador orsakade av felaktig användning av apparaten, läs bruksanvisningen noggrant innan du använder apparaten och spara den för framtida referens.

#### Användningsbe- gränsningar

- Denna produkt bör inte användas av barn yngre än 8 år eller personer med fysiska, sensoriska eller intellektuella handikapp eller begränsad erfarenhet/kunskap utan överinseende av en förälder/vårdnadshavare för att säkerställa säker användning och för att undvika risker. Rengöring och underhåll får inte utföras av barn utan tillsyn.
- Apparaten får endast användas med den strömförsörjningsenhet som följer med apparaten.
- Den här apparaten innehåller batterier som endast kan bytas ut av fackmän.
- Ta bort föremål från området som ska rengöras. Barn får inte leka med apparaten. Säkerställ att barn och husdjur hålls på säkert avstånd från roboten när den är i drift.
- Undvik att installera, ladda eller använda apparaten i badrum eller runt pooler.
- Den här produkten är endast avsedd för golvrengöring i hemmiljö. Använd den inte utomhus, på icke-golvtytor eller i kommersiella eller industriella miljöer.
- Kontrollera att apparaten fungerar korrekt på en lämplig plats. I annat fall ska du inte använda enheten.
- Om strömsladden är skadad måste den bytas ut mot en särskild sladd eller enhet som finns tillgänglig hos tillverkaren eller dess servicepersonal.
- Använd inte roboten i ett område hängande ovan marknivå utan

## Säkerhetsinformation

### Användningsbe- gränsningar

- skyddsbarriär.
- Placera inte roboten upp och ner. Använd inte LDS-kåpan, robotkåpan eller stötfångaren som handtag för roboten.
- Roboten ska användas i miljöer med en omgivningstemperatur över 0 °C och under 40 °C. Säkerställ att det inte finns någon vätska eller klibbig substans på golvet.
- För att förhindra att det uppstår skador från att roboten fastnar bör du ta bort lösa föremål och sladdar från golvet längs rengöringsrutten innan du använder roboten.
- Ta bort ömtåliga eller små föremål från golvet så att roboten inte krockar med dem och skadar dem.
- Håll hår, fingrar och andra kroppsdelar borta från robotarnas sugöppning.
- Förvara rengöringsverktyget utom räckhåll för barn.
- Använd inte roboten i ett rum där spädbarn eller barn sover.
- Placera inte barn, husdjur eller något föremål på roboten oavsett om den står stilla eller rör sig.
- Endast rent vatten och officiellt godkänt rengöringsmedel får tillsättas i renvattentanken. Ingen annan vätska (t.ex. alkohol eller desinficeringsmedel) får tillsättas. På flaskan med rengöringsmedlet anges hur stor mängd rengöringsmedel som får tillsättas i det rena vattnet. Förvara rengöringsmedlet utom räckhåll för barn.

## Säkerhetsinformation

### Användningsbe- gränsningar

- Använd inte roboten för att rengöra brinnande föremål. Använd inte roboten för att plocka upp brandfarliga eller brännbara vätskor, frätande gaser eller utspädda syror eller lösningsmedel.
- Dammsug inte hårda eller vassa föremål. Använd inte apparaten för att plocka upp föremål som stenar, stora pappersbitar eller något som kan täppa till apparaten.
- Stickkontakten måste dras ur vägguttaget innan du rengör eller underhåller apparaten.
- Torka inte av roboten eller basstationen med en våt trasa eller skölj dem med vätska. Efter rengöring av tvättbara delar, torka delarna helt innan du sätter tillbaka dem och använder dem.
- Använd produkten enligt instruktionerna i bruksanvisningen. Användare är ansvariga för förlust eller skada som uppstår på grund av felaktig användning av denna produkt.

### Batterier och laddning

- Använd inte ett batteri eller en basstation från tredje part. Roboten kan endast användas med basstationsmodell RCEE0301.
- Försök inte ta isär, reparera eller modifiera batteriet eller basstationen på egen hand.
- Placera inte basstationen nära en värmekälla.
- Använd inte en våt trasa eller blöta händer för att torka eller rengöra basstationens laddningskontakter.

### Batterier och laddning

- Kassera inte gamla batterier på ett felaktigt sätt. Batterier som förbrukats ska kasseras på lämplig återvinningscentral.
- Om strömsladden skadas eller går sönder måste du sluta använda den direkt och kontakta kundservice.
- Säkerställ att roboten är avstängd när den transporteras och förvaras i originalförpackningen om möjligt.
- Om roboten inte ska användas under en längre tid bör du ladda den helt, sedan stänga av den och förvara den på en sval och torr plats. Ladda om roboten minst en gång var 3:e månad för att undvika överurladdning av batteriet.

### Lasersäkerhetsinformation

- Lasersensorn i denna produkt uppfyller standardkraven IEC 60825-1:2014/EN 60825-1:2014/A11:2021 för laserprodukter i klass 1. Undvik direkt ögonkontakt med den under användning.

LASERPRODUKT KLASS 1

LASERPRODUKT FÖR KONSUMENTBRUK

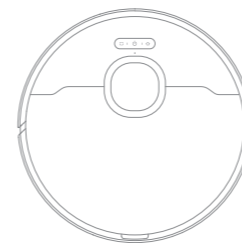
EN 50689:2021

Härmed förklarar Dreame Trading (Tianjin) Co., Ltd. att radioustrustningstypen RLE51SE uppfyller kraven i direktiv 2014/53/EU. Den fullständiga texten till EU-försäkran om överensstämmelse finns på följande webbadress: <https://mova-tech.com>

Om du vill läsa en utförlig e-användarhandbok, gå till <https://www.mova-tech.com/pages/user-manuals-and-faqs>

## Produktöversikt

### Paketinnehåll



Robot



Basstation



Sidoborste



Strömkabel



Bruksanvisning



Basstationsrampens förlängningsplatta



Moppdyna x 2  
(förinstallerad)



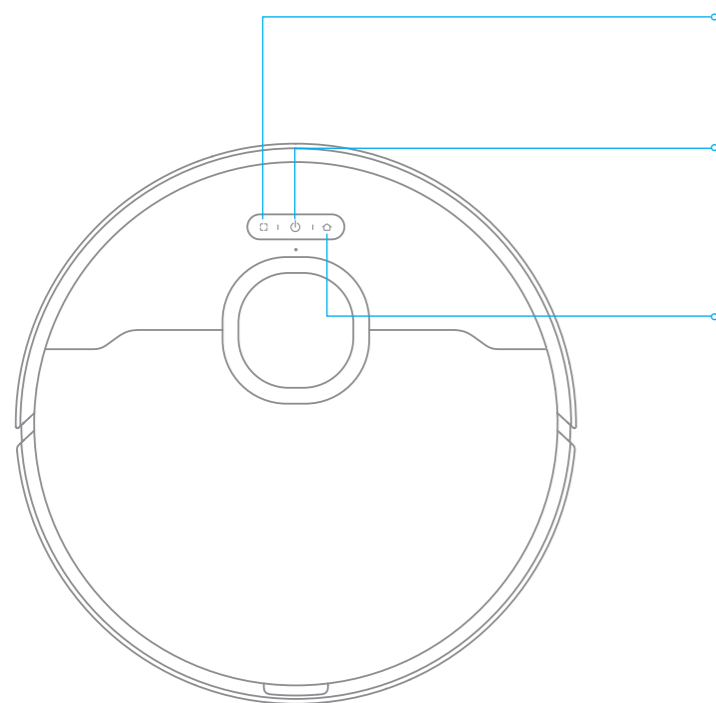
Hållare för  
moppdyna x 2



Dammpåse  
(förinstallerad)

### Andra tillbehör

## Robot



**Knapp för fläckrengöring**  
 · Tryck för att starta fläckrengöring

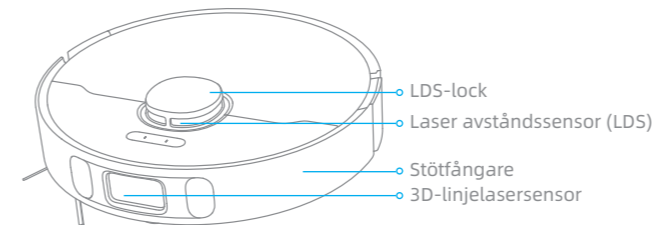
**Knapp för ström/rengöring**  
 · Håll den intryckt i 3 sekunder för att slå på eller stänga av  
 · Tryck för att starta rengöringen efter att roboten har slagits på

**Dockningsknapp**  
 · Tryck för att skicka roboten tillbaka till basstationen  
 · Håll intryckt i 3 sekunder för att inaktivera barnlåset

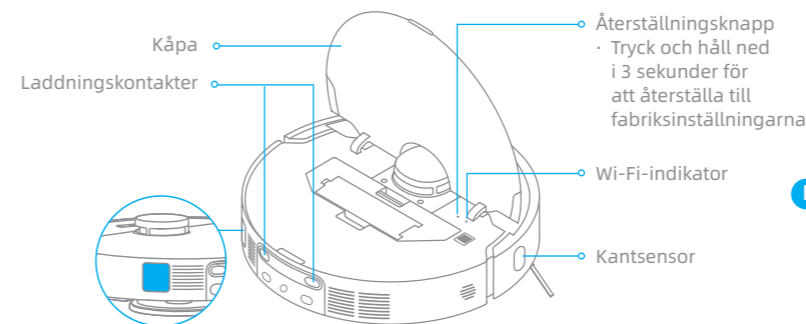
**Statusindikator**  
 · Helt vit: Rengöringen eller städningen slutfördes  
 · Blinkande vit: Laddar (inte svagt batteri)  
 · Fast orange sken: Standbyläge vid lågt batteri eller pausad vid lågt batteri  
 · Andning Orange: Laddar (lågt batteri)  
 · Blinkande orange: Fel

**Obs:**  
 · Tryck på valfri knapp på roboten för att pausa roboten när den städar eller åker tillbaka för att ladda.  
 · Barnlås kan aktiveras/inaktiveras via appen.

## Robot och sensorer



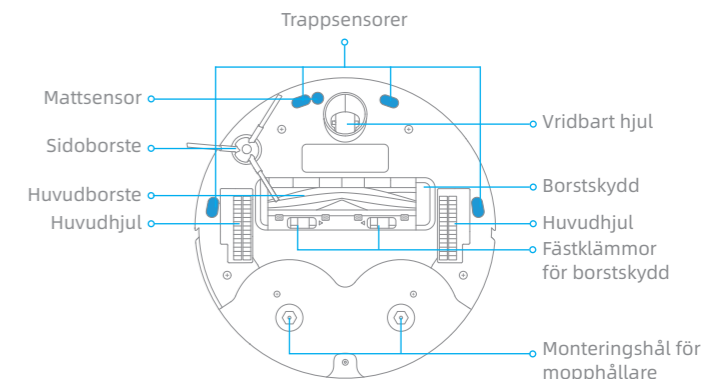
LDS-lock  
 Laser avståndssensor (LDS)  
 Stötfångare  
 3D-linjelasersensor



Ventil för automatisk tömning

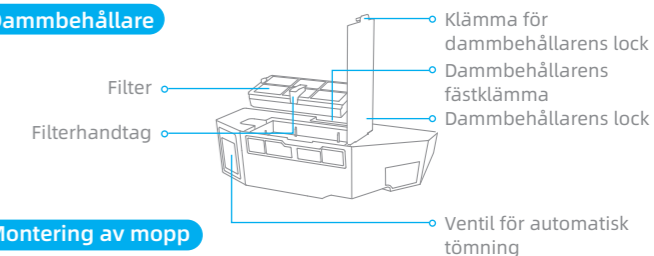
Återställningsknapp  
 · Tryck och håll ned i 3 sekunder för att återställa till fabriksinställningarna

Wi-Fi-indikator  
 Kantsensor



Trappsensorer  
 Mattsensor  
 Sidoborste  
 Huvudborste  
 Huvudhjul  
 Vridbart hjul  
 Borstskydd  
 Huvudhjul  
 Fästklämmor för borstskydd  
 Monteringshål för moppållare

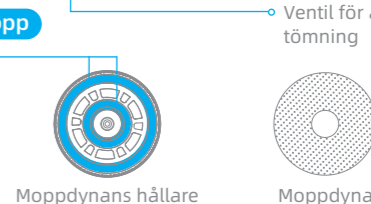
## Dammbehållare



Klämma för dammbehållarens lock  
 Dammbehållarens fästklämma  
 Dammbehållarens lock  
 Filter  
 Filterhandtag

## Montering av mopp

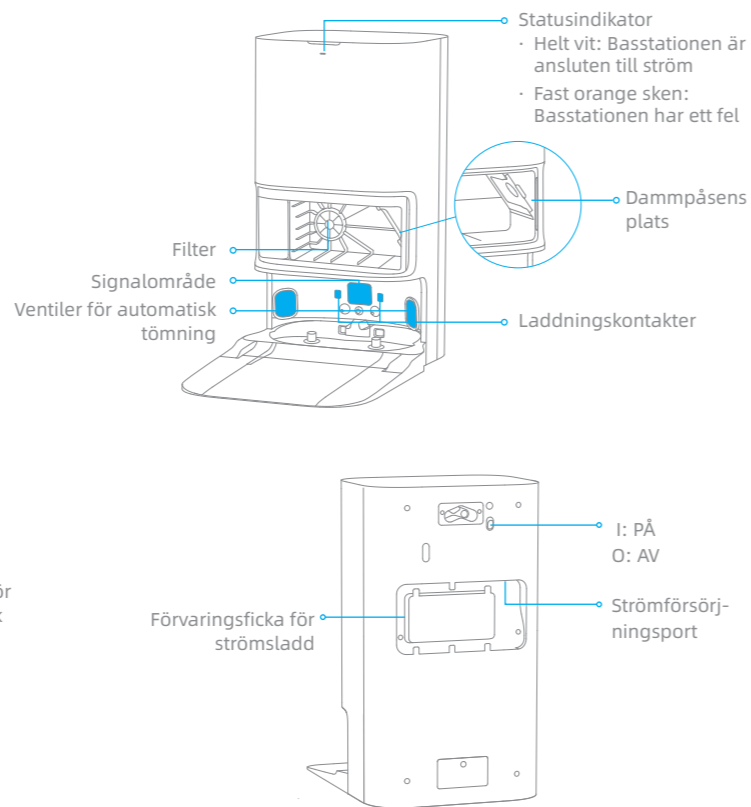
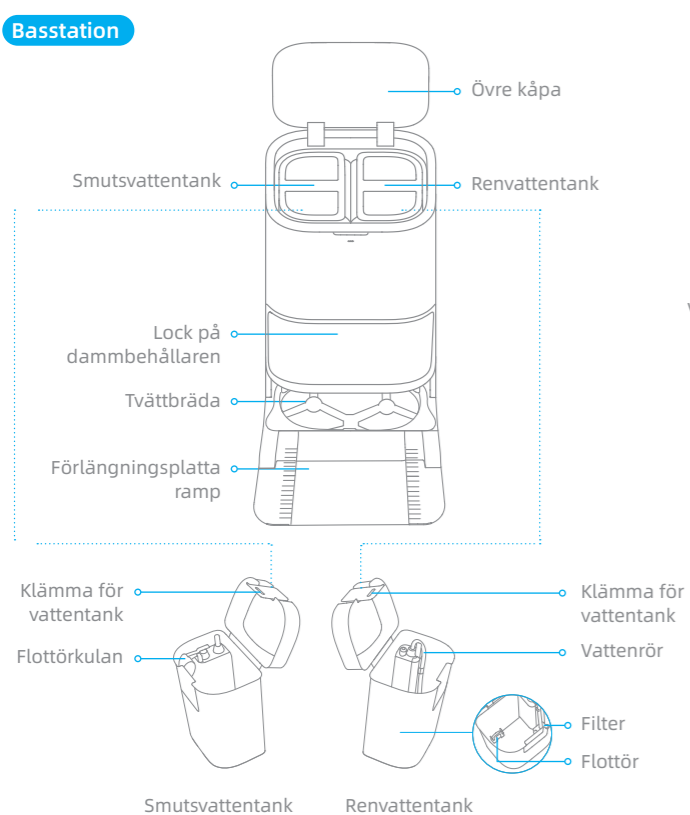
Område för montering av mopp



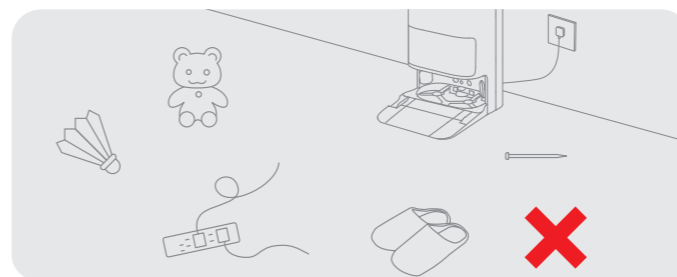
Moppdynans hållare

Moppdyna

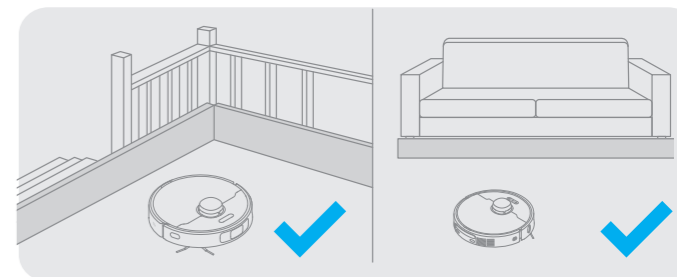
## Basstation



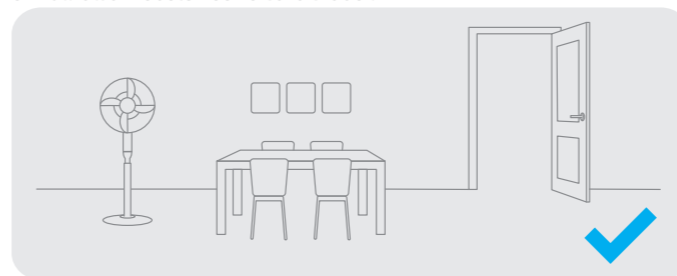
## Förbereda ditt hem



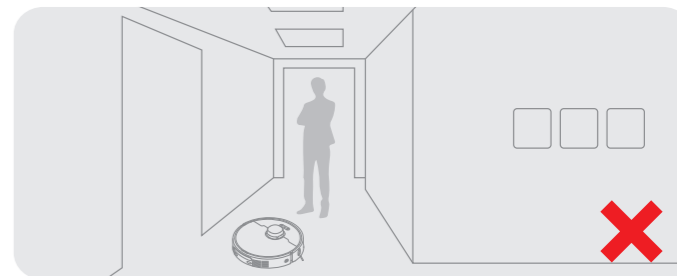
Innan rengöring påbörjas, ska instabila, ömtåliga, värdefulla eller farliga föremål plockas bort, och kablar, trasor, leksaker, hårda föremål och vassa föremål rensas från marken för att undvika att bli insnärdd, repad eller omkullvält av roboten och orsaka skador.



Innan du startar rengöringen bör ett fysiskt hinder placeras vid kanten av trappan och soffan för att säkerställa en säker och smidig drift av roboten.



Öppna dörren till det rum som ska rengöras och ställ möblerna på sin rätta plats för att frigöra mer utrymme.



För att undvika att roboten inte känner igen områden som behöver rengöras ska du inte stå framför roboten, tröskeln, korridoren eller trånga platser.

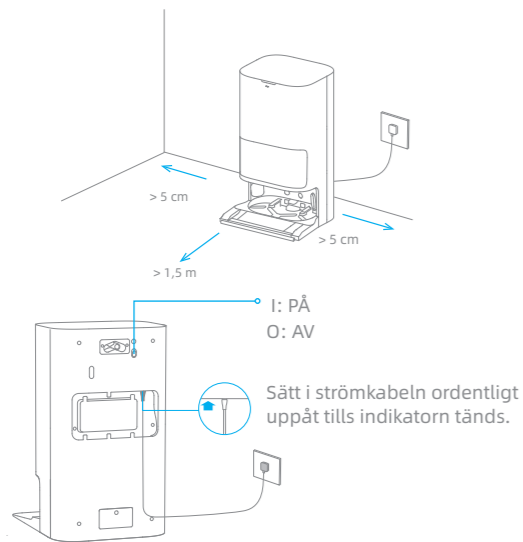
## Obs:

- När du använder roboten för första gången, följ den under rengöringen för att ta bort eventuella hinder i tid.
- Hårda föremål som stenar, stålkulor och leksaksdelar, eller vassa föremål som byggavfall, krossat glas och spikar ska inte dammsugas upp, annars kan underlaget skrapas.

## Innan användning

### 1. Placera basstationen och anslut till ett eluttag

Placera basstationen på en plats som är så öppen som möjligt och med bra WiFi-täckning. Ta bort alla föremål som är närmare än 1,5 m från framsidan och 5 cm från vardera sidan av basstationen. Sätt i strömkabeln i basstationen och anslut den till uttaget.



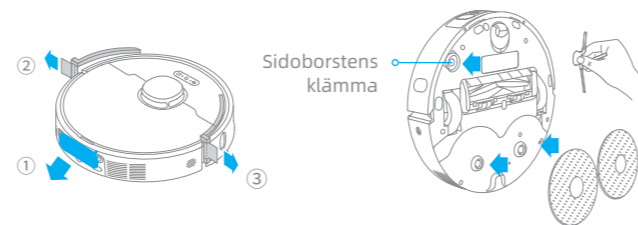
#### Obs:

- Se till att inga föremål kan blockera signalområdet.
- För att förhindra att vattenfläckar väter trägolv eller mattor, rekommenderas att placera basstationen på kakelgolv eller marmorgolv.

### 2. Montera rampens förlängningsplatta




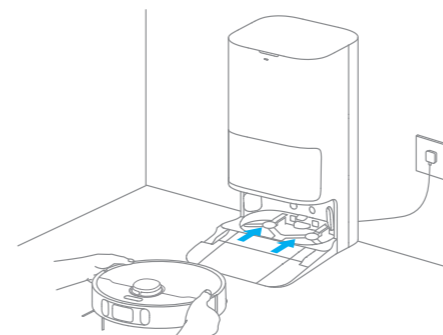
### 3. Ta bort robotskydden samt montera sidoborsten och mopsatsen



## Innan användning

### 4. Anslut roboten till basstationen

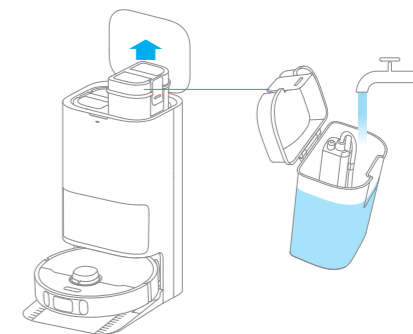
Håll knappen  på roboten intryckt i 3 sekunder för att sätta igång den. Placera roboten på basstationen med moppenheten vänd mot tvättbrädan. Sedan hör du ett röstmeddelande när roboten lyckats ansluta till basstationen.



**Obs:** Det rekommenderas att roboten laddas fullt ut innan du använder den för första gången. Om roboten inte kan slås på när batteriet är urladdat kan du manuellt ansluta roboten till stationen för att ladda den.

### 5. Häll i vatten i tanken för rent vatten

Ta ur den rena vattentanken ur basstationen och fyll upp tanken med rent vatten. Installera sedan tillbaka den i basstationen.

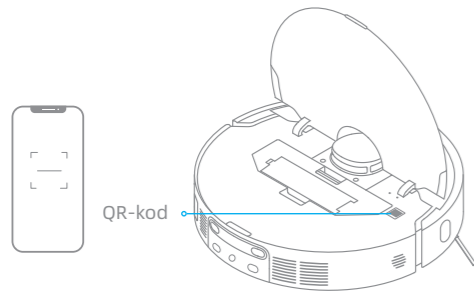


**Obs:** Tillsätt inte hett vatten i vattentanken, eftersom detta kan göra att tanken deformeras.

## Ansluter till appen

### 1. Ladda ner appen

Skanna QR-koden på roboten för att ladda ner och installera appen.



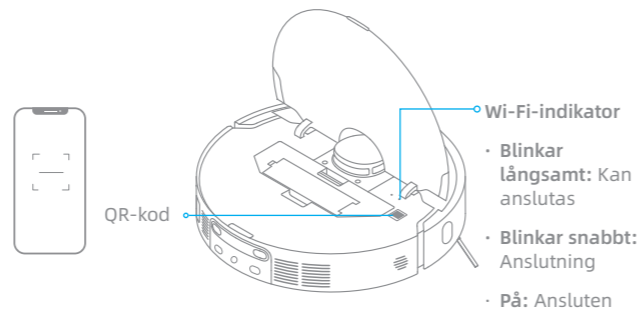
#### Obs:

- Endast 2,4 GHz Wi-Fi stöds.
- På grund av uppgraderingar av appens mjukvara kan de faktiska funktionerna skilja sig från vad som anges i denna handbok. Följ instruktionerna i den uppdaterade versionen av appen.

### 2. Lägg till enhet



Öppna appen, tryck på "Skanna QR-kod för att ansluta", skanna samma QR-kod på roboten igen och lägg till enheten. Följ anvisningarna för att slutföra Wi-Fi-anslutningen.

**Obs:** Om du vill återställa wifi kan du upprepa steg 2 och sedan följa anvisningarna för att slutföra wifi-anslutningen.



## Bruksanvisning

### Slå på/av

Håll knappen  intryckt i 3 sekunder för att slå på roboten. Strömindikatorn bör vara tänd. Placera roboten på basstationen och roboten bör slås på automatiskt och börjar ladda. Stäng av roboten genom att flytta den från basstationen och hålla ner knappen  i 3 sekunder.

### Snabb kartläggning

När du har konfigurerat nätverket för första gången följer du anvisningarna i appen för att snabbt skapa en karta. Roboten börjar kartlägga utan att rengöra. När roboten återvänder till basstationen har kartläggningen slutförts och kartan sparas automatiskt.

### Pausa/Viloläge

När roboten är igång kan du trycka på valfri knapp för att pausa den. Om roboten pausar i mer än 10 minuter går den automatiskt in i viloläge. Alla indikatorer på roboten stängs av. Tryck på valfri knapp på roboten, eller använd appen för att väcka roboten.

**Obs:** Om roboten pausas och placeras på basstationen, avslutas den pågående rengöringsuppgiften.

### Återuppta rengöring automatiskt

Om batterinivån är för låg kommer roboten automatiskt gå tillbaka till basstationen för att ladda. Efter laddning till lämplig batterinivå återupptar den oavslutade rengöringsuppgifter.

**Obs:** Om du vill använda funktionen aktiverar du den i appen.


### Stör ej-läge (DND)

När roboten är inställd på Stör ej-läge (DND), kommer roboten att förhindras från att återuppta rengöringen och strömindikatorn slocknar. Stör ej (DND)-läget är inaktiverat som fabriksstandard. Du kan använda appen för att aktivera DND-läget eller ändra DND-perioden. Stör ej (DND)-perioden är 22:00-8:00 som standard.



#### Obs:

- Den schemalagda rengöringen kommer att utföras som vanligt under DND-perioden.
- Roboten återupptar rengöringen där den slutade senast efter att Stör-ej-perioden (DND) tagit slut.

### Fläck-rengöring

När roboten är i standby-läge trycker du kort på knappen  för att aktivera Spot-rengöringsläget. I det här läget rengör roboten ett kvadratisk område på 1,5 x 1,5 meter runt den och återgår till startpunkten när Fläck-rengöringen är klar.

### Omstart av roboten

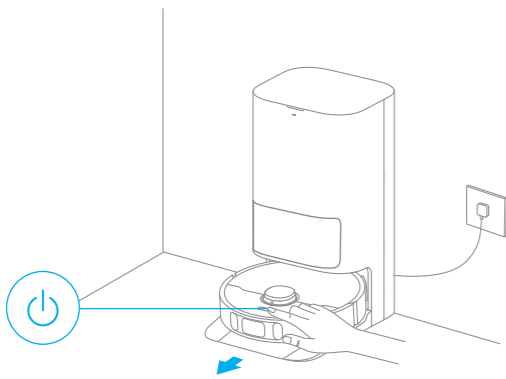
Om roboten slutar svara eller inte går att stänga av, håller du knappen  nedtryckt i 10 sekunder för att framtvinga en avstängning. Tryck sedan på knappen  och håll den nedtryckt i 3 sekunder för att slå på roboten.

**Dammsuga och moppa**

**Obs:** När moppenheten används för första gången utför roboten "Dammsuga och moppa"-uppgiften som standard.

**1. Börja rengöringen**

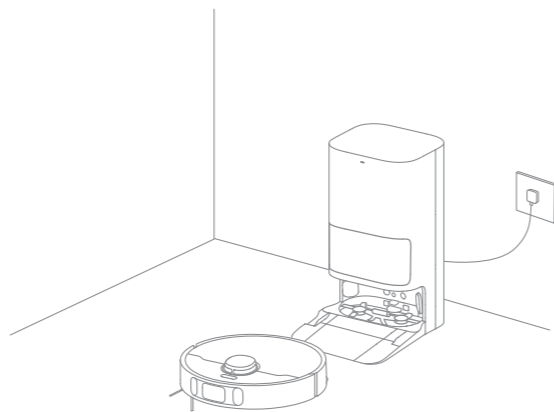
Tryck på knappen  på roboten eller använd appen för att starta roboten från basstationen. Sedan kommer roboten att planera den optimala städrutten och utföra städuppgiften utifrån den skapade kartan.

**Obs:**

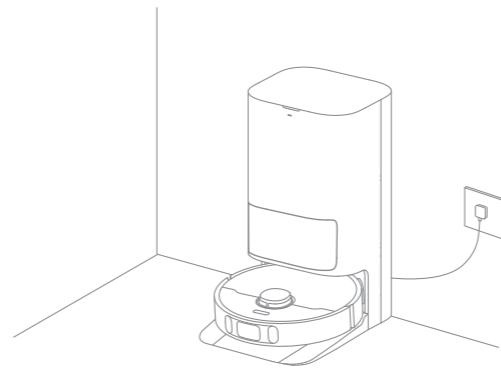
- För att det ska vara enkelt för roboten att återvända till basstationen när städningen är klar, rekommenderar vi att du startar den från basstationen.
- Innan roboten börjar moppa kommer moppdynorna att rengöras, var god avvakta.
- Flytta inte basstationen, renavvattentanken, smutsvattentanken eller tvättbrädan under användningen.

**2. Automatisk mopptvätt**

Under rengöringen kommer roboten automatiskt att återvända till basstationen för att tvätta sina moppdynor baserat på den rengöringsfrekvens för moppdynor som har angivits i appen.

**3. Töm dammbehållaren automatiskt och tvätta och torka moppdynorna**

När roboten har avslutat en rengöringsuppgift och återvänt till basstationen för att ladda, börjar basstationen automatiskt tömma dammbehållaren. Sedan kommer den att tvätta och torka moppdynorna.

**Obs:**

- Är funktionen automatisk tömning avstängd i appen kommer basstationen inte automatiskt att tömma dammbehållaren.
- Basstationen tömmer dammbehållaren i enlighet med inställningen i appen.

**4. Rengör den använda vattentanken**

När roboten har slutfört sin uppgift kan du rengöra smutsvattentanken för att förebygga lukt.

**Moppa efter dammsugning**

Aktivera funktionen att moppa efter dammsugning i appen. Roboten lyfter automatiskt moppanordningen för att dammsuga golvet. När dammsugningen är klar återvänder roboten för att tömma dammbehållaren och börjar sedan moppa efter att automatiskt ha sänkt moppenheten.

**Endast dammsugning**

Aktivera funktionen dammsugning i appen, och roboten lyfter automatiskt moppanordningen och börjar dammsuga.

**Endast mopning**

Aktivera mopningsfunktionen i appen så kontrollerar roboten om moppsatsen är installerad. Om inte, installera moppenheten manuellt och roboten börjar automatiskt att börja moppa.



## Delar

För att hålla roboten i gott skick, rekommenderas att du följer tillbehörsanvändning i appen eller följande tabell för rutinunderhåll.

Del	Underhållsfrekvens	Utbytesperiod
Smutsvattentank	Efter varje användning	/
Renvattentank	En gång varannan vecka	Varje 6 till 12 månader
Huvudborste		
Dammbehållarens filter		Varje 3 till 6 månader
Sidoborste		
Moppdynans hållare		
Tvättbräda	En gång i månaden	/
Basstationens signalområde		
Laddningskontakter		
Ventiler för automatisk tömning		
Vridbart hjul		
Kantsensor		
Laser avståndssensor (LDS)		
3D-linjelasersensor		

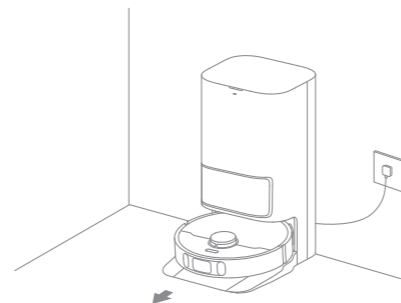
Del	Underhållsfrekvens	Utbytesperiod
Mattsensor	En gång i månaden	/
Trappsensorer		
Stötfångare		
Botten av roboten		
Dammbehållare	Rengör den vid behov	
Dampåse	/	Varje 2 till 4 månader
Moppdyna	/	Varje 1 till 3 månader

**Obs:** Ersättningsfrekvensen beror på din användning av roboten. Om ett undantag uppstår på grund av särskilda omständigheter bör delarna bytas ut.

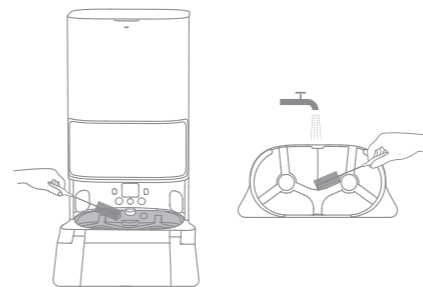
## Rutinunderhåll

## Bas för tvättbräda

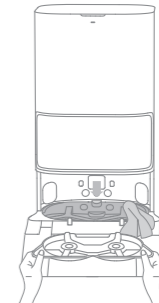
1. Aktivera funktionen för rengöring av basstationen i appen, så lämnar roboten basstationen automatiskt. Ta ut tvättbrädan och vänta tills vatten fylls i botten av basstationen.



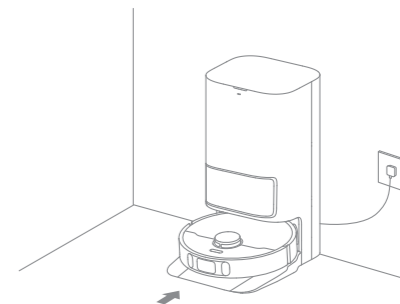
2. Skölj tvättbrädan med rent vatten och använd korrekt rengöringsverktyg för att rengöra basstationens botten.



3. Efter ett ögonblick pumpar basstationen automatiskt ut det använda vattnet. Torka den sedan med en mjuk och torr trasa och sätt tillbaka tvättbrädan på plats.



4. Använd appen eller tryck kort på knappen  på roboten för att få den att återvända till basstationen.

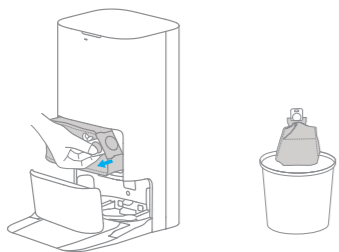


**Obs:** Låt inte roboten återvända till basstationen under rengöringen.

## Rutinunderhåll

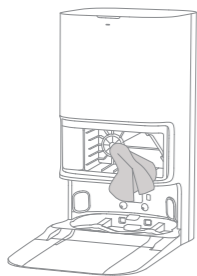
### Damppåse

1. Ta bort dammbehållarens lock och kassera damppåsen.

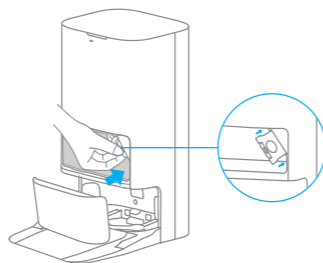


**Obs:** Genom att dra handtaget uppåt förseglas påsen för att förhindra att damm och skräp faller ut av misstag.

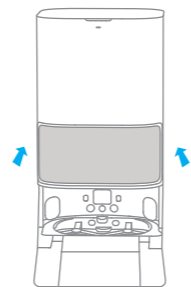
2. Ta bort damm och skräp från filtret med en torr trasa.



3. Sätt i en ny damppåse.



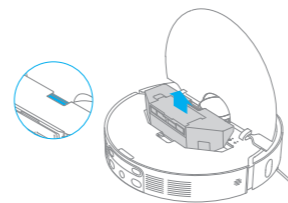
4. Sätt tillbaka dammtankens lock.



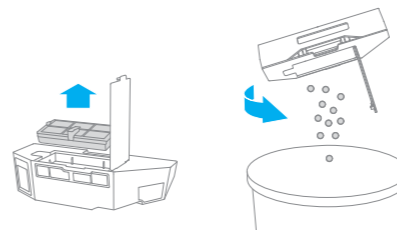
## Rutinunderhåll

### Dammbehållare och filter

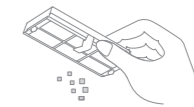
1. Öppna luckan till roboten och tryck på dammbehållarens klämma för att ta bort dammbehållaren.



2. Öppna locket på dammbehållaren, plocka bort filtret och töm sedan dammbehållaren som visas i diagrammet.

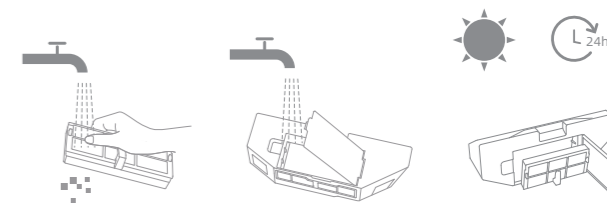


3. Knacka försiktigt på filtrets korg för att rensa smutsen.



**Obs:** Undvik att försöka rengöra filtret med en borste, ett finger eller vassa föremål för förebyggande av skador.

4. Skölj dammbehållaren och filtret med vatten och torka dem helt innan du sätter tillbaka dem.



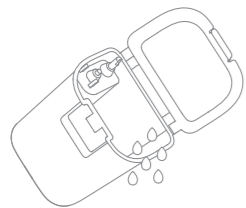
**Obs:**

- Skölj dammbehållaren och filtret endast med rent vatten. Undvik att använda något rengöringsmedel.
- Använd dammbehållaren och filtret först när de är helt torra.

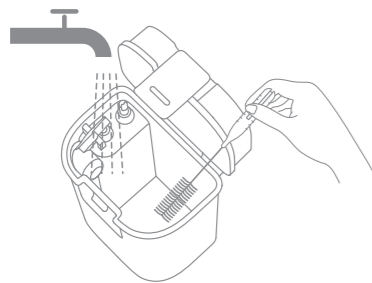
## Rutinunderhåll

### Smutsvattentank

1. Ta bort smutsvattentanken, öppna locket och häll ut det använda vattnet.



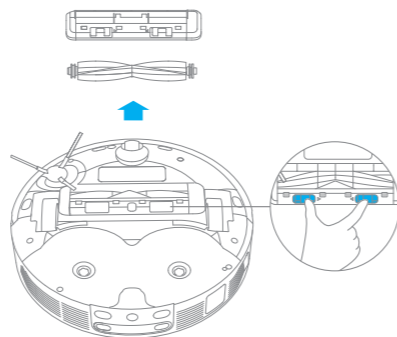
2. Skölj smutsvattentanken med rent vatten och använd ett lämpligt rengöringsverktyg för att göra rent tankens insida.



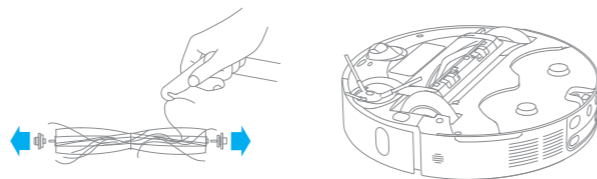
**Obs:** Flottörkulan i smutsvattentanken är en rörlig del. Använd inte för mycket kraft när du rengör den för att undvika att skada den.

### Huvudborste

1. Tryck på bortsyddsklämmorna inåt för att ta bort borstskyddet och lyft ut borsten ur roboten.



2. Dra ut borstkåporna i båda ändar på borsten så som visas på bilden. Använd ett lämpligt rengöringsverktyg för att ta bort eventuella hårstrån i borsten. Sätt tillbaka borstskydden på båda ändarna av borsten och sätt sedan tillbaka borsten. Tryck på borstskyddet för att låsa det på plats.



## Rutinunderhåll

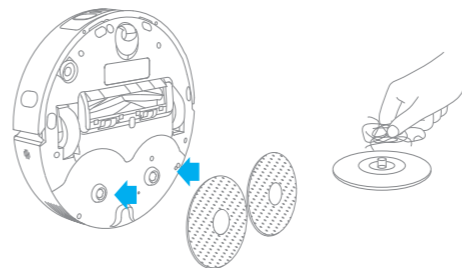
### Sidoborste

Ta bort och rengör sidoborsten.

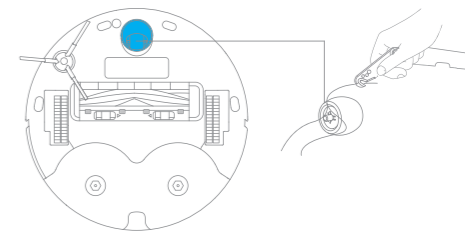


### Moppdynans hållare

Plocka bort och rengör sidoborsten och hållaren till moppdynan.



### Vridbart hjul



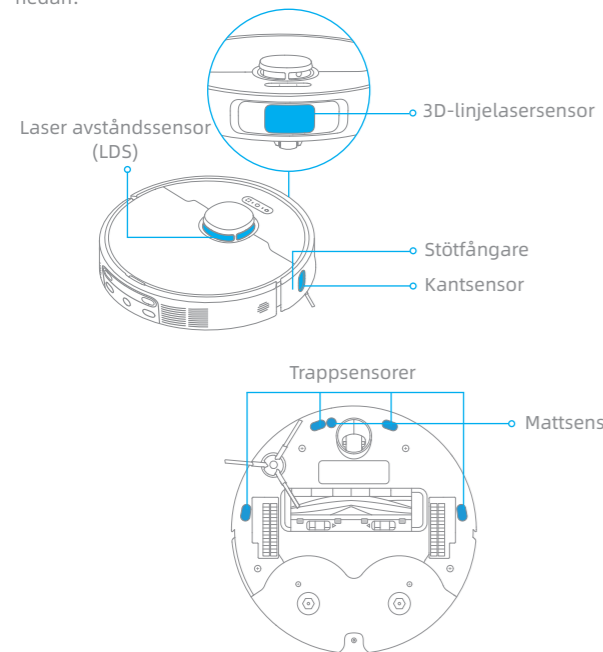
#### Obs:

- Använd ett verktyg såsom en liten skruvmejsel för att separera axeln och däcket på det vridbara hjulet. Använd inte överdrivet mycket kraft.
- Skölj det vridbara hjulet under rinnande vatten och sätt tillbaka det efter att det har torkat helt.

## Rutinunderhåll

### Robotsensorer

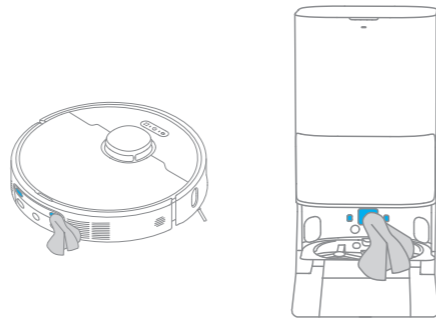
Torka av robotens sensorer med en mjuk och torr trasa som visas på bilden nedan:



**Obs:** En våt trasa kan skada känsliga delar i roboten och på basstationen. Använd en torr duk för rengöring.

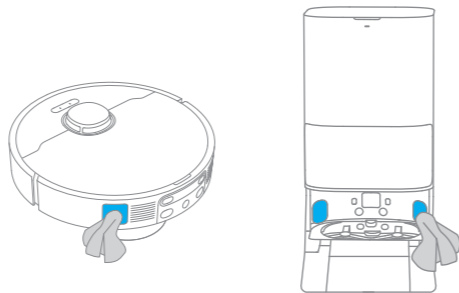
### Laddningskontakter och signalområde

Rengör laddningskontakterna och signalområdet med en mjuk och torr trasa.



### Ventiler för automatisk tömning

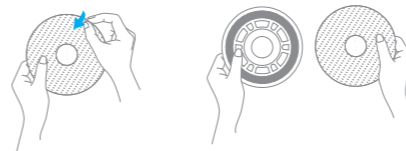
Rengör robotens självtömningsventiler och stationen med en mjuk och torr trasa.



## Rutinunderhåll

### Moppdyna



Ta bort moppdynan från moppdynshållaren när du vill byta ut den.




### Batteri

Roboten har ett högpresterande litiumjonbatteri. Säkerställ att batteriet är välladdat för daglig användning för att bibehålla optimal batteriprestanda. Om roboten inte används under en längre tid bör du stänga av den och lägga undan den. För att förhindra skada från överdriven urladdning bör roboten laddas minst en gång var tredje månad.

Problem	Lösning
Robotens startar inte.	Batteriet börjar ta slut. Ladda roboten på basstationen och försök sedan igen. Batteriets temperatur är för låg eller för hög. Vi rekommenderar att apparaten används vid temperaturer mellan 32°F (0°C) och 104°F (40°C).
Robotens laddar inte.	Basstationen är inte ansluten till strömkälla. Säkerställ att båda ändarna av strömkabeln är korrekt anslutna. Laddningskontaktarna på basstationen är dåligt anslutna till roboten. Laddningskontaktarna behöver rengöras. Kontrollera om det finns något främmande föremål vid robotens anslutningsdel och ta bort eventuella främmande föremål.
Robotens ansluter inte till WiFi-nätverket.	Lösenordet för det trådlösa nätverket är felaktigt. Kontrollera att lösenordet som används för att ansluta till ditt trådlösa nätverk är korrekt. Robotens stöder inte 5 GHz Wi-Fi-anslutning. Kontrollera att roboten är ansluten till en 2,4 GHz Wi-Fi-anslutning. Signalen för det trådlösa nätverket är svag. Kontrollera att roboten befinner sig i ett område med god WiFi-täckning. Robotens kanske inte är redo att konfigureras. Avsluta appen, starta den på nytt och försök igen enligt instruktionerna.
Robotens kan inte hitta och återvända till basstationen.	Basstationen är inte ansluten till strömkälla eller flyttas runt när roboten inte är på den. Anslut basstationen till strömförsörjningen eller placera roboten på basstationen för att ladda. Det finns för många hinder kring basstationen. Placera basstationen i ett mer öppet område. Att flytta roboten kan få den att ompositionera sig själv, och den kommer att återskapa en karta om ompositioneringen misslyckas. Om roboten befinner sig för långt från basstationen kanske den inte kan återgå automatiskt på egen hand, och i så fall kan roboten placeras manuellt på basstationen. Torka av signalområdet på basstationen och avlägsna damm eller skräp.
Robotens fastnar framför basstationen och kan inte återvända till den.	Rensa alla hinder inom 5 cm på vänster och höger sida eller inom 1,5 m framför basstationen för att förhindra att roboten blockerar. Rutten för att återvända till laddning är blockerad, t.ex. är dörren stängd. Robotens kan halka om golvet framför basstationen är för blött. Om så är fallet, rengör överflödigt vatten innan du försöker igen. Vi rekommenderar att du flyttar basstationen till en annan plats och försöker igen. Säkerställ att plattan till rampförlängningen är korrekt installerad.

Problem	Lösning
Robotens stängs inte av.	Robotens kan inte stängas av när den laddas. Vi rekommenderar att robotens flyttas från basstationen. Håll knappen  intryckt i 3 sekunder för att stänga av den. Om det inte går att stänga av robotens med steg 1 håller du knappen  intryckt i 10 sekunder för att framvinga en avstängning. Om problemet kvarstår kan du kontakta kundservice.
Laddningshastigheten är långsam.	Det tar ca 3,5 timmar att ladda robotens helt när batteriet är svagt. Om du använder robotens i temperaturer utanför det angivna intervallet kommer laddningshastigheten automatiskt att sakta ner för att förlänga batteriets livslängd. Laddningskontaktarna på både robotens och basstationen kan vara smutsiga. Torka av dem med en mjuk trasa.
Ljudet ökar medan robotens är i drift.	Kontrollera om robotens dammfilter är igentäppt. Om så är fallet, rengör den eller byt ut den. Ett hårt föremål kan ha fastnat i huvudborsten eller dammbehållaren. Kontrollera för och ta bort alla hårda föremål. Huvudborsten eller sidoborsten kan trassla ihop sig. Kontrollera för och ta bort främmande föremål. Ställ om sugläget till Standard eller Quiet.
Robotens rör sig utan att följa den angivna rutten.	Saker som elkablar och tofflor bör ordnas innan du använder robotens. Om den körs på våta hala ytor kommer huvudhjulet att slira. Det rekommenderas att torka våta ytor innan du använder robotens. Torka av sensorn för 3D-linjelasern och den visuella AI-sensorn på robotens med en ren och mjuk trasa för att hålla den ren med fri sikt.
Robotens missar rummen som ska städas.	Se till att dörrarna till de rum som ska rengöras är öppna. Kontrollera om det finns en tröskel högre än cirka 2 cm vid dörren till rummet. Robotens kan inte klättra över höga trösklar eller trappsteg. Ytan framför rummet som ska rengöras kan vara våt och hal, vilket gör att robotens kan slira och sluta fungera normalt. Torka golvet innan du använder robotens.

Problem	Lösning
Roboten återupptar inte rengöringen efter laddning.	Kontrollera att roboten inte är inställd på Stör-ej-läget (DND), vilket hindrar den från att återuppta rengöringen. Roboten återupptar inte rengöringen efter att du manuellt har placerat roboten på basstationen eller skickat roboten till laddning via appen eller knappen  .
Stationen kan inte automatiskt tömma dammbehållaren.	Kontrollera om dammpåsen i dammbehållaren är full. Om dammsugarpåsen inte är full, kontrollera att det inte finns något skräp vid de automatiska tömningsventilerna på roboten, stationen eller dammbehållaren. Om det finns skräp där bör du rengöra den blockerade delen i tid.
Vattennivån i tvättbrädan är onormal.	Kontrollera om tätningen på smutsvattentanken är lös eller inte korrekt installerad, och återställ den manuellt i så fall. Om problemet kvarstår, kontakta kundserviceteamet. Tryck varsamt ned smutsvattentanken för att säkerställa att den är korrekt installerad. Ta bort tvättbrädan, kontrollera om avloppsvattnet är blockerat och rengör den. Kontrollera rengöringslösningen. Tillsätt ingen annan vätska än det officiellt godkända rengöringsmedlet.
Moppdynans hållare höjs onormalt.	Plocka bort moppdynans hållare för att kontrollera om det finns något främmande föremål i den och försök sedan starta om roboten. Om problemet kvarstår, kontakta kundserviceteamet.
Det finns vatten under renvattentanken eller runt tätningen.	När renvattentanken tas bort, kan det finnas vatten kvar i röret under tanken eller runt tätningen. Detta är normalt. Torka med en torr trasa.

För mer support, kontakta oss via <https://mova-tech.com>

## Robot

Modell	RLE51SE
Laddningstid	Cirka 3,5 timmar
Nominell spänning	14,4 V $\overline{---}$
Nominell effekt	75 W
Driftsfrekvens	2 400-2 483,5 MHz
Maximal utgångseffekt	<20 dBm

## Basstation

Modell	RCEE0301
Nominell inspänning	220-240 V $\sim$ 50-60 Hz
Nominell utspänning	20 V $\overline{---}$ 2 A
Nominell effekt (under dammtömning)	700 W
Nominell effekt (under rengöring)	40 W
Nominell effekt (under laddning och torkning)	89 W

Vid normal användning av utrustningen bör den hållas på ett avstånd av minst 20 cm mellan antennen och användarens kropp.

**Obs:** Nominell effekt (under laddning och torkning) bestäms av effektvärdet under full belastningsperiod.

Det inbyggda litiumjonbatteriet innehåller ämnen som är farliga för miljön. Innan du kasserar batteriet bör du se till att det tas ut av kvalificerade tekniker och kasseras på en lämplig återvinningscentral.

- batteriet måste avlägsnas från apparaten innan det kasseras;
- apparaten måste kopplas ur från elnätet när batteriet tas ur;
- batteriet måste kasseras på ett säkert sätt.

#### FÖRSIKTIGHET:

Innan du tar ut batteriet bör du koppla bort strömkällan och ta slut på batteriet så mycket som möjligt.

Batterier som förbrukats ska kasseras på lämplig återvinningscentral.

Utsätt inte roboten för miljöer med höga temperaturer för att undvika explosionsrisk.

Om batteriet hanteras på ett våldsamt sätt kan vätska slungas ut ur batteriet. Om kontakt uppstår, spola med vatten och sök medicinsk hjälp.

#### Borttagningsguide:

1. Vänd på roboten, använd ett lämpligt verktyg för att ta bort skruvarna på baksidan av roboten, och avlägsna sedan locket.
2. Om du vill ta bort batterierna behöver du först koppla ur terminalerna mellan batteriet och PCB-moderkortet.

#### WEEE-information



Alla produkter som bär denna symbol räknas som elektrisk/elektronisk utrustning (WEEE enligt direktiv 2012/19/EU) och får inte slängas med osorterat hushållsavfall. Istället bör du skydda människors hälsa och miljön genom att överlämna din uttjänta utrustning till en lämplig återvinningscentral som har utsetts av berörda myndigheter för hantering av avfall från elektrisk och elektronisk utrustning. Korrekt avfallshandling och återvinning hjälper till att förhindra potentiella negativa konsekvenser för miljön och människors hälsa. Kontakta installatören eller lokala myndigheter om du vill ha mer information om platsen samt villkoren för sådana insamlingsställen.

יש לקרוא את המדריך למשתמש לפני השימוש במכשיר החשמלי וזאת בכדי למנוע התחשמלות, שריפה או פציעה כתוצאה משימוש לא נכון במכשיר. כמו כן, יש לשמור אותו לעיון עתידי.

#### הגבלות שימוש

- אין לתת לילדים מתחת לגיל 8 או לאנשים עם מגבלות פיזיות, חושיות, מנטליות, או חסרי ניסיון או ידע, להשתמש במכשיר זה ללא השגחת הורה או אפוטרופוס, וזאת בכדי להבטיח פעולה בטוחה ולמנוע סיכונים כלשהם. אין לתת לילדים לבצע ניקוי ותחזוקה ללא השגחה.
- המכשיר החשמלי נועד לשימוש רק באמצעות יחידת ספק הכוח שסופקה עם המכשיר.
- מכשיר חשמלי זה מכיל סוללות הניתנות להחלפה רק על ידי אנשים המיומנים בכך.
- יש לפנות את האזור המיועד לניקוי. אין לאפשר לילדים לשחק עם המכשיר. יש להרחיק ילדים וחיות מחמד מהרובוט בזמן שהוא פועל.
- אין להתקין, לטעון או להשתמש במכשיר בחדרי אמבטיה או סביב בריכות.
- מוצר זה מיועד לניקוי רצפות בסביבה ביתית בלבד. אין להשתמש בו בחוץ, על משטחים שאינם רצפתיים, בסביבה מסחרית או תעשייתית.
- יש לוודא שהמכשיר פועל כהלכה בסביבה מתאימה. אחרת, אין להשתמש במכשיר.
- אם כבל החשמל פגום, יש להחליפו בכבל מיוחד או במכלול זמין מהיצרן או מסוכן השירות שלו.
- אין להשתמש ברובוט באזור גבוה מעל פני הקרקע ללא מחסום מגן.
- אין להניח את הרובוט הפוך. אין להשתמש בכיסוי ה-LDS, בכיסוי הרובוט או בפגוש כידית ברובוט.
- יש להשתמש ברובוט בסביבות עם טמפרטורת סביבה מעל 0°C ומתחת ל-40°C. יש לוודא שאין נוזל או חומר דביק על הרצפה.

## סוללות וטעינה

- אין להשתמש בסוללה או בעמדת טעינה של צד שלישי. ניתן להשתמש ברובוט רק עם תחנת הבסיס מדגם RCEE0301.
- על המשתמש אסור לנסות לפרק, לתקן או לשנות את הסוללה או את תחנת הבסיס בעצמו.
- אין למקם את תחנת הבסיס ליד מקור חום.
- אין להשתמש במטלית רטובה או בידיים רטובות כדי לנגב או לנקות את מגעי הטעינה של תחנת הבסיס.
- אין להשליך באופן לא ראוי סוללות ישנות. יש להשליך סוללות לא נחוצות במתקן מיחזור מתאים.
- אם כבל החשמל ניזוק או נשבר, יש להפסיק להשתמש בו מיד ולפנות למרכז השירות.
- יש לוודא שהרובוט כבוי בעת ההובלה ולשמור אותו באריזתו המקורית במידת האפשר.
- במקרה שהרובוט אינו בשימוש במשך תקופה ממושכת, יש לטעון אותו במלואו, ולאחר מכן לכבות ולאחסן אותו במקום קריר ויבש. יש לטעון את הרובוט לפחות פעם ב-3 חודשים כדי למנוע פריקת יתר של הסוללה.

## מידע על בטיחות הלייזר

- חיישן הלייזר במוצר זה עומד בתקן IEC 60825-1:2014/EN 60825-1:2014/A11:2021 עבור מוצרי לייזר Class 1. נא להימנע ממגע עין ישיר איתו במהלך השימוש.
- מוצר לייזר CLASS 1  
מוצר לייזר לצרכן  
EN 50689:2021

## הגבלות שימוש

- כדי למנוע נזק או פגיעה מגרירה, יש לפנות חפצים רופפים מהרצפה, ולהסיר חוטים או כבלי חשמל מנתיב הניקוי לפני הפעלת המכשיר.
- יש להסיר פריטים שבירים או קטנים מהרצפה כדי למנוע מהרובוט להיתקל בהם ולפגוע בהם.
- יש להרחיק שיער, אצבעות ושאר חלקי גוף מפתח השאיבה של הרובוט.
- יש להרחיק את כלי הניקוי מהישג ידם של ילדים.
- אין להפעיל את המכשיר בחדר שבו ישן תינוק או ילד.
- אין להניח ילדים, חיות מחמד או כל פריט על גבי הרובוט ללא קשר אם הוא נייח או נע.
- ניתן להוסיף למיכל המים הנקיים מים נקיים ואת תמיסת הניקוי המאושרת רשמית בלבד. אין להוסיף נוזלים כגון אלכוהול או חומר חיטוי. ניתן לבדוק את היחס בין תמיסת הניקוי למים הנקיים על גבי בקבוק תמיסת הניקוי. יש להרחיק את חומר הניקוי מהישג ידם של ילדים.
- אין להשתמש ברובוט לניקוי חפצים בוערים. אין להשתמש ברובוט כדי לאסוף נוזלים דליקים או נפיצים, גזים קורוסיביים, חומצות או ממיסים לא מדוללים.
- אין לשאוב חפצים קשים או חדים. אין להשתמש במכשיר כדי להרים חפצים כגון אבנים, פיסות נייר גדולות או כל פריט שעלול לסתום את המכשיר.
- יש להוציא את התקע מהשקע לפני ניקוי או תחזוקה של המכשיר.
- אין לנגב את הרובוט או את תחנת הבסיס עם מטלית רטובה או לשטוף אותם עם נוזל כלשהו. לאחר ניקוי החלקים הניתנים לשטיפה, יש לייבש את החלקים במלואם לפני התקנה מחדש ושימוש בהם.
- יש להשתמש במוצר זה בהתאם להוראות במדריך למשתמש. המשתמשים אחראים לכל אובדן או נזק הנובעים משימוש לא נכון במוצר זה.



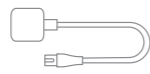
## אביזרים אחרים



לוחית הארכת הרמפה של תחנת בסיס



מדריך למשתמש



כבל החשמל



מברשת צדדית



שקית האבק (מותקן מראש)



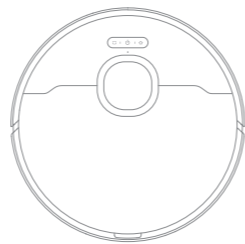
מחזיק רפידת המגב 2 ×



רפידת המגב 2x (מותקנת מראש)

## סקירת המוצר

## תכולת האריזה



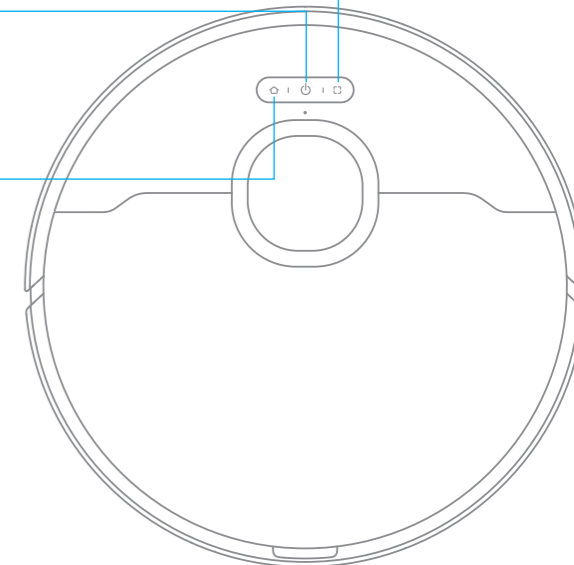
רובוט




תחנת הבסיס

## סקירת המוצר

## רובוט



 לחצן ניקוי כתמים  
 יש ללחוץ כדי להתחיל בניקוי כתמים

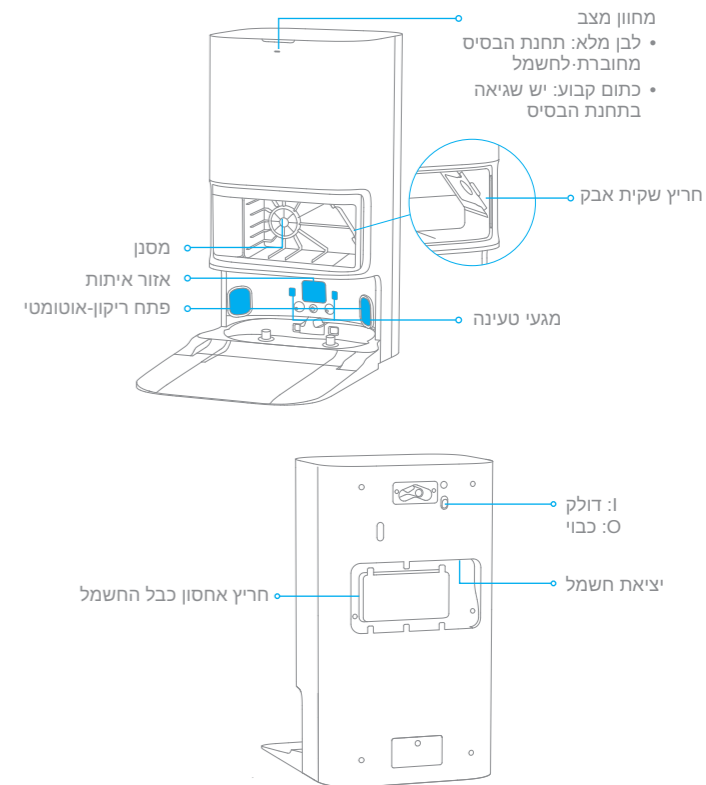
 כפתור הפעלה/ניקוי  
 יש ללחוץ לחיצה ארוכה למשך 3 שניות כדי להפעיל או לכבות  
 יש ללחוץ להתחלת הניקוי לאחר הפעלת הרובוט

 כפתור עגינה  
 יש ללחוץ כדי לשלוח את הרובוט בחזרה לתחנת הבסיס  
 לחצו לחיצה ארוכה למשך 3 שניות כדי להשבית את נעילת הילדים

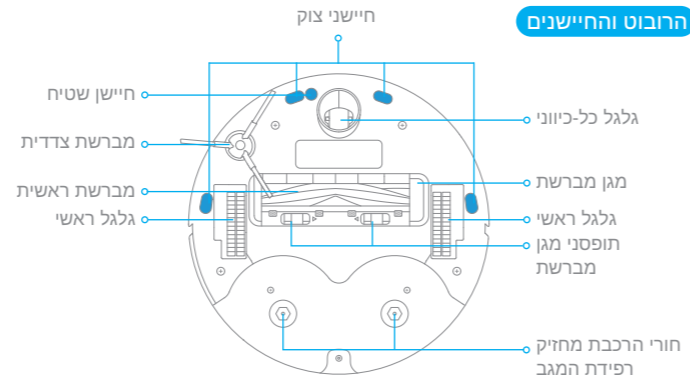
**מחונן מצב**  
 • לבן קבוע: בתהליך ניקוי או שהניקוי הושלם  
 • לבן מהבהב: בטעינה (לא סוללה חלשה)  
 • כתום קבוע: נמצא במצב המתנה בגלל סוללה חלשה או מושהה בגלל סוללה חלשה  
 • כתום מהבהב: בטעינה (סוללה חלשה)  
 • כתום מהבהב: שגיאה

**הערה:**  
 יש ללחוץ על לחצן כלשהו על הרובוט כדי להשהות אותו בזמן שהוא מנקה או חוזר לטעינה.  
 ניתן להפעיל ולכבות את נעילת הילדים באמצעות האפליקציה.

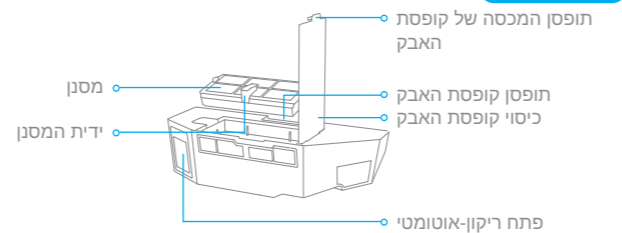
## תחנת הבסיס



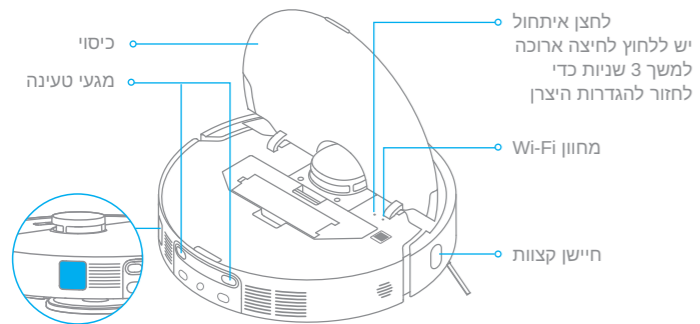
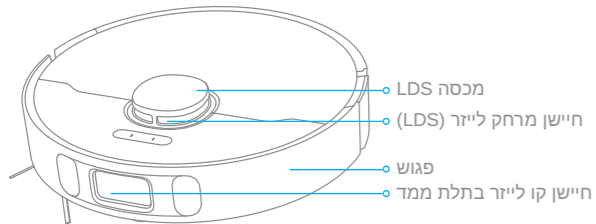
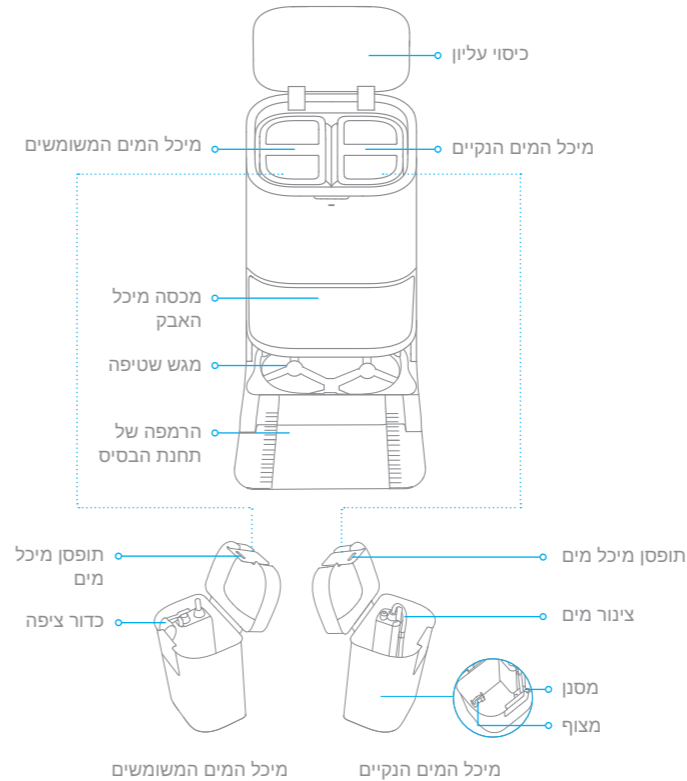
## הרובוט והחיישנים



## קופסת האבק



## הרכב המגב



פתח ריקון-אוטומטי

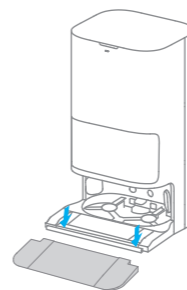
1. יש למקם את תחנת הבסיס ולחבר לשקע חשמל יש להציב את תחנת הבסיס במיקום פתוח ככל האפשר עם אות Wi-Fi טוב. יש לפנות את כל החפצים הקרובים יותר מ-1.5 מ' מהחזית של תחנת הבסיס ו-5 ס"מ משני צידיה. יש להכניס את כבל החשמל לתחנת הבסיס ולחבר אותו לשקע.



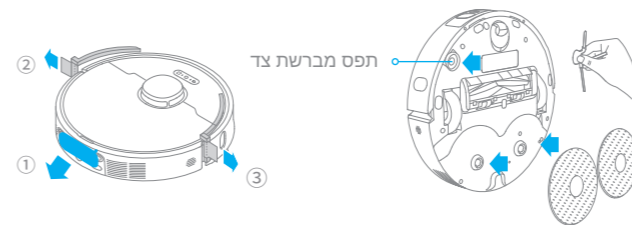
הערה:

- יש לוודא שחפצים לא חוסמים את אזור האיתות.
- כדי למנוע כתמי מים מהרטבת רצפות עץ או שטיחים, מומלץ להציב את תחנת הבסיס על רצפות אריחים או על רצפות שיש.

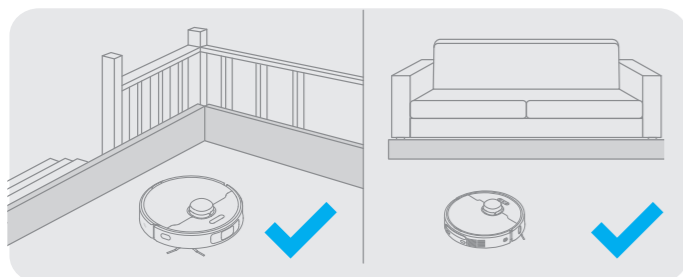
2. יש להתקין את לוחית הארכת הרמפה של תחנת הבסיס



3. יש להסיר את הגנות הרובוט ולהתקין את הרכב מברשת הצד והמגב



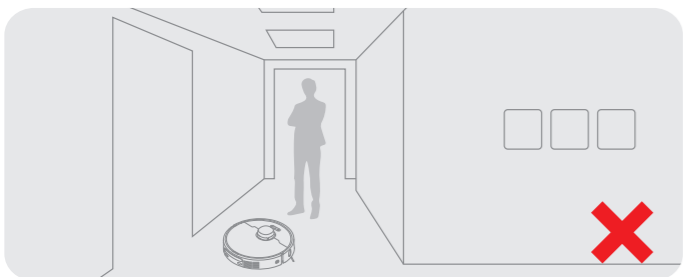
## ארגון הבית שלכם



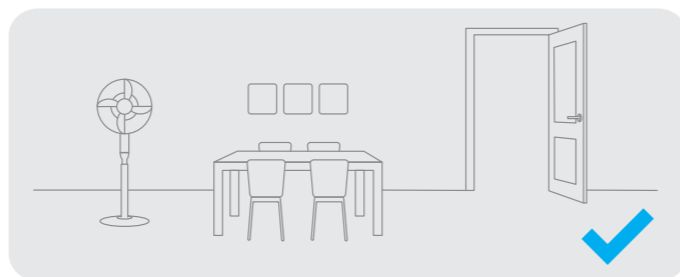
לפני הניקוי, יש להציב מחסום פיזי בקצה המדרגות והספה כדי להבטיח את פעולתו הבטוחה והחלקה של הרובוט.



לפני ניקוי, יש להזיז פריטים בלתי יציבים, שבירים, בעלי ערך או מסוכנים, ולסלק כבלים, סמרטוטים, צעצועים, חפצים קשיחים וחפצים חדים מהרצפה, כדי להימנע מהרובוט להסתבך בהם, לשרוט או להפיל אותם ובכך לגרום לנזק.



כדי למנוע מהרובוט לא לזהות אזורים שצריך לנקות, אין לעמוד מול הרובוט, מול הסף, מול המסדרון או מול מקומות צרים.



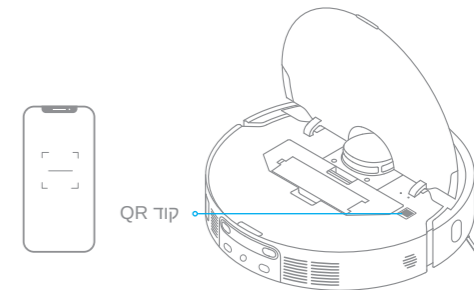
יש לפתוח את דלת החדר לניקוי, ולסדר את הרהיטים במקומם המתאים כדי להשאיר יותר מקום.

הערה:

- בעת הפעלת הרובוט בפעם הראשונה, יש לעקוב אחריו בזמן הניקוי כדי להסיר כל מכשול פוטנציאלי בזמן.
- אין לשאוב חפצים קשיחים כגון אבנים, כדוריות פלדה וחלקי צעצועים, חפצים חדים, כגון פסולת בניין, זכוכית שבורה ומסמרים, אחרת הרצפה עלולה להישרט.

## התחברות באמצעות האפליקציה

1. הורדת האפליקציה  
יש לסרוק את קוד ה-QR שעל הרובוט כדי להוריד ולהתקין את האפליקציה.

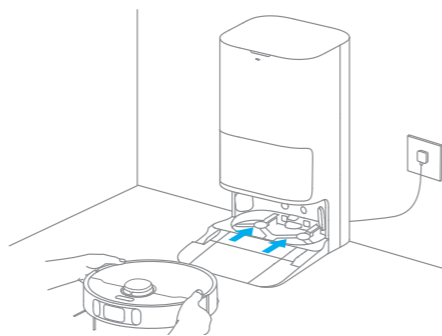


הערה:

- רק Wi-Fi של 2.4 GHz נתמך.
- עקב שדרוגים בתוכנת האפליקציה, הפעולות בפועל עשויות להיות שונות מההנחיות במדריך זה. יש לעקוב אחר ההוראות המתבססות על גרסת האפליקציה הנוכחית.

## לפני שימוש

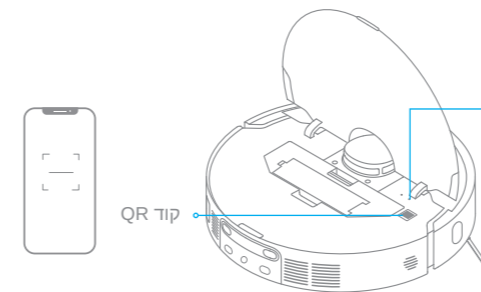
4. יש לחבר את הרובוט לתחנת הבסיס  
יש ללחוץ לחיצה ארוכה על הלחצן ברובוט למשך 3 שניות כדי להפעיל אותו. יש להניח את הרובוט על תחנת הבסיס כאשר הרכב המגב פונה לכיוון מגש השטיפה. לאחר מכן תישמע הנחיה קולית כאשר הרובוט יתחבר בהצלחה לתחנת הבסיס.



הערה: מומלץ לטעון את הרובוט במלואו לפני השימוש הראשון בו. כאשר לא ניתן להפעיל את הרובוט לאחר שהסוללה התרוקנה, יש לחבר את הרובוט באופן ידני לתחנה כדי לטעון אותו.

2. הוספת מכשיר

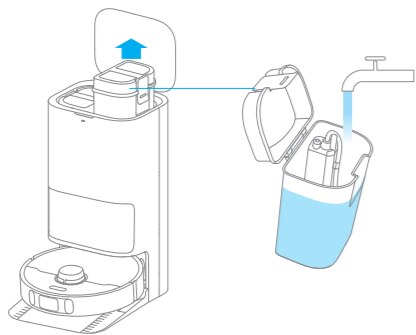
יש לפתוח את האפליקציה, להקיש על "סריקת קוד ה-QR כדי להתחבר", ולסרוק שוב את אותו קוד QR על הרובוט כדי להוסיף את המכשיר. יש לעקוב אחר ההנחיות כדי לסיים את חיבור ה-Wi-Fi.  
הערה: לאיפוס ה-Wi-Fi, יש לחזור על שלב 2 ולאחר מכן לעקוב אחר ההנחיות כדי לסיים את חיבור ה-Wi-Fi.



- מחווני Wi-Fi
- מהבהב לאט: צריך להתחבר
  - מהבהב במהירות: מתחבר
  - פועל: מחובר

קוד QR

5. הוסיפו מים נקיים למיכל המים הנקיים  
יש להוציא את מיכל המים הנקיים מתחנת הבסיס ולמלא את המיכל במים נקיים. לאחר מכן יש להתקין אותו בחזרה בתחנת הבסיס.




הערה: אין להוסיף מים חמים למיכל המים, מכיוון שהדבר עלול לגרום לעיוות של המיכל.

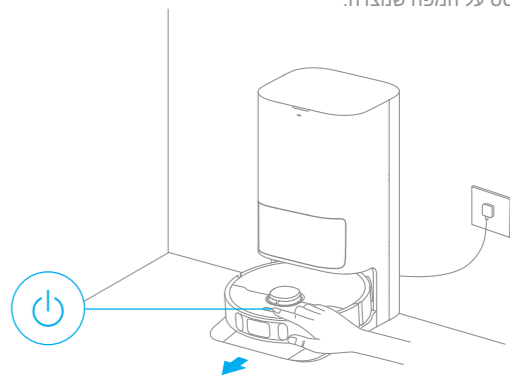
## כיצד להשתמש

### שאיבה ושטיפה

הערה: כאשר נעשה שימוש בהרכב המגב בפעם הראשונה, הרובוט מבצע את משימת "שאיבה ושטיפה" כברירת מחדל.

### 1. להתחלת הניקוי

יש ללחוץ על הכפתור  שעל הרובוט, או להשתמש באפליקציה על מנת שהרובוט יתחיל מתחנת הבסיס. לאחר מכן הרובוט יתכן את מסלול הניקוי האופטימלי ויבצע את פעולת הניקוי בהתבסס על המפה שנוצרה.





הערה:

- כדי להבטיח שהרובוט יוכל לחזור בקלות לתחנת הבסיס לאחר הניקוי, מומלץ לגרום לרובוט להתחיל מתחנת הבסיס.
- כריות המגב ינוקו לפני שהרובוט יתחיל לשטוף, יש להמתין בסבלנות.
- אין להזיז את תחנת הבסיס, מיכל המים הנקיים, מיכל המים המלוכלכים או מגש השטיפה במהלך עבודתו.

## כיצד להשתמש

### להדליק/לכבות

יש ללחוץ לחיצה ארוכה על הכפתור  למשך 3 שניות כדי להפעיל את הרובוט. מחוון החשמל צריך להיות מואר. יש להניח את הרובוט על תחנת הבסיס, הרובוט אמור להידלק אוטומטית ולהתחיל בטעינה. כדי לכבות את הרובוט, יש להרחיק אותו מתחנת הבסיס וללחוץ לחיצה ממושכת על הלחצן  למשך 3 שניות.

### מיפוי מהיר

לאחר הגדרת הרשת בפעם הראשונה, יש לעקוב אחר ההוראות באפליקציה כדי ליצור במהירות מפה. הרובוט יתחיל במיפוי ללא ניקוי. כאשר הרובוט חוזר לתחנת הבסיס, תהליך המיפוי הושלם והמפה תישמר באופן אוטומטי.

### הפסקה/שינה

כאשר הרובוט פועל, יש ללחוץ על כפתור כלשהו כדי להשהות אותו. אם הרובוט מושהה ליותר מ-10 דקות, הוא נכנס אוטומטית למצב שינה. כל המחוננים על הרובוט ייכבו. יש ללחוץ על כל כפתור ברובוט, או להשתמש באפליקציה כדי להעיר את הרובוט.

הערה: אם הרובוט מושהה ומונח על תחנת הבסיס, תהליך הניקוי הנוכחי יסתיים.

### התחל מחדש אוטומטית בניקוי

אם הסוללה חלשה מדי, הרובוט יחזור אוטומטית לתחנת הבסיס לטעינה. לאחר הטעינה לרמת הסוללה המתאימה, הוא יחזור למשימות ניקוי שלא נגמרו.

הערה: כדי להשתמש בפונקציה זו, יש לאפשר אותה באפליקציה.


### מצב נא לא להפריע (DND)

כאשר הרובוט מוגדר למצב (DND) Do Not Disturb, הרובוט לא יוכל לחדש את הניקוי ומחונן המתח נכבה. מצב ה-DND מושבת כברירת מחדל מטעם היצרן. ניתן להשתמש באפליקציה כדי להפעיל את מצב ה-DND או לשנות את זמני ה-DND. זמני ה-DND הם 8:00-22:00 כברירת מחדל.


הערה:

- משימות הניקוי המתוכננות יבוצעו כרגיל במהלך זמני ה-DND.
- הרובוט יחדש את הניקוי מהמקום בו הפסיק לאחר תום זמני ה-DND.

### ניקוי כתמים

כאשר הרובוט במצב המתנה, יש ללחוץ לחיצה קצרה על הלחצן  כדי להפעיל את מצב ניקוי הכתמים. במצב זה, הרובוט מנקה שטח בצורת ריבוע של 1.5 x 1.5 מטר סביבו וחוזר לנקודת ההתחלה שלו לאחר השלמת ניקוי הכתמים.

### רובוט מופעל מחדש

אם הרובוט מפסיק להגיב או שלא ניתן לכבות אותו, יש ללחוץ לחיצה ממושכת על הלחצן  למשך 10 שניות כדי לאלץ כיבוי. לאחר מכן, יש ללחוץ על לחיצה ממושכת  למשך 3 שניות כדי להפעיל את הרובוט.

## חלקים

כדי לשמור על תקינות הרובוט, מומלץ לעיין בשימוש באביזרים באפליקציה או בטבלה הבאה לתחזוקה שוטפת.

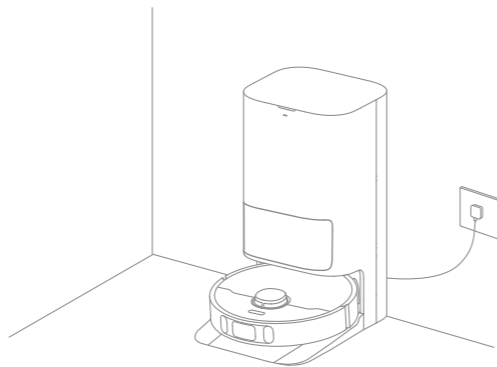
חלק	תדירות תחזוקה	תקופת החלפה
מיכל המים המשומשים	לאחר כל שימוש	/
מיכל המים הנקיים	אחת לשבועיים	כל 6 עד 12 חודשים
מברשת ראשית		
מסנן קופסת האבק		
מברשת צדדית		
מחזיק רפידת המגב	/	אחת לחודש
מגש שטיפה		
אזור האיתות של תחנת הבסיס		
מגעי טעינה		
פתח ריקון-אוטומטי		
גלגל כל-כיווני		
חיישן קצוות		
חיישן מרחק לייזר (LDS)		
חיישני קו לייזר בתלת ממד		

חלק	תדירות תחזוקה	תקופת החלפה
חיישן שטיח	אחת לחודש	/
חיישני צוק		
פגוש		
תחתית הרובוט		
קופסת האבק	נקו אותו לפי הצורך	כל 2-4 חודשים
שקית האבק	/	
רפידת המגב	/	כל 1-3 חודשים

הערה: תדירות ההחלפה תהיה תלויה בשימוש שלכם ברובוט. אם מתרחש אירוע חריג עקב נסיבות מיוחדות, יש להחליף את החלקים.

## כיצד להשתמש

3. ריקון אוטומטי של תיבת האבק, ניקוי וייבוש של רפידות המגב לאחר שהרובוט מסיים משימת ניקוי וחוזר לתחנת הבסיס לטעינה, תחנת הבסיס תתחיל לרוקן אוטומטית את קופסת האבק. לאחר מכן הוא ישטוף ויייבש את רפידות המגב.



הערה:

- אם פונקציית הריקון האוטומטי כבוייה באפליקציה, תחנת הבסיס לא תרוקן אוטומטית את תיבת האבק.
- תחנת הבסיס תרוקן את קופסת האבק בהתאם להגדרות האפליקציה.

4. יש לשטוף את מיכל המים המשומשים לאחר שהרובוט סיים את תפקידו, יש לנקות את מיכל המים המלוכלכים כדי למנוע ריח לא-נעים.

## שטיפה לאחר שאיבה

יש להפעיל את פונקציית השטיפה לאחר שאיבת האבק באפליקציה, והרובוט יסיר אוטומטית את מכלול המגב בתחנת הבסיס כדי לשאוב את הרצפה. לאחר השלמת שאיבת האבק, הרובוט יחזור לרוקן את קופסת האבק, ולאחר מכן יתחיל לשטוף לאחר הורדת הרכב המגב באופן אוטומטי.

## שאיבה בלבד

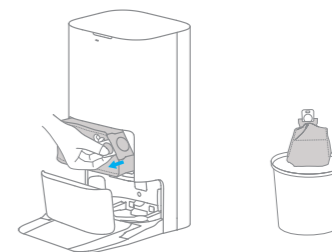
הפעל את פונקציית השאיבה באפליקציה, והרובוט ירים אוטומטית את מכלול המגב ויתחיל לשאוב.

## שטיפה בלבד

יש לאפשר את פונקציית השטיפה באפליקציה, והרובוט יבדוק אם הרכב המגב מותקן. אם לא, יש להתקין ידנית את הרכב המגב, ואז הרובוט ירים אוטומטית את המברשת הראשית ויתחיל בשטיפה.

## שקית האבק

1. יש להסיר את כיסוי מיכל האבק ולהשליך את שקית האבק.

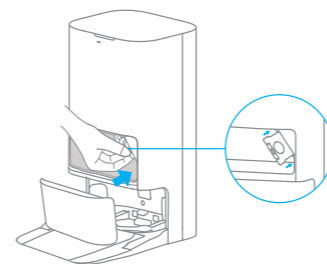


הערה: משיכה כלפי מעלה בידית תאטום את השקית כדי למנוע נפילה בטעות של אבק ופסולת.

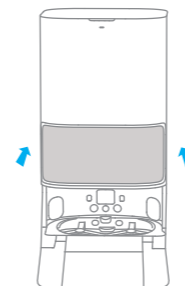
2. יש להסיר את האבק ואת הפסולת מהמסנן עם מטלית יבשה.



3. יש להתקין שקית אבק חדשה.

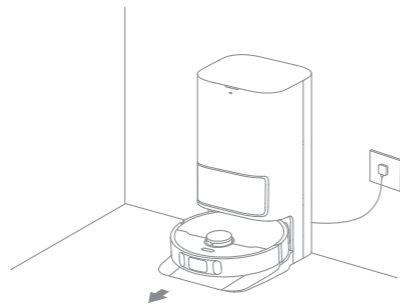


4. יש להתקין בחזרה את מכסה האבק.

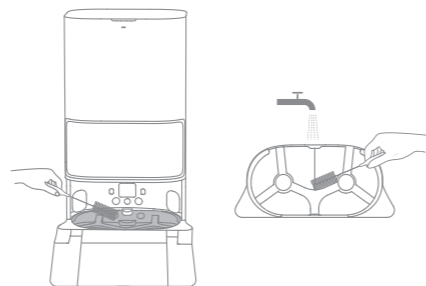


## בסיס מגש השטיפה

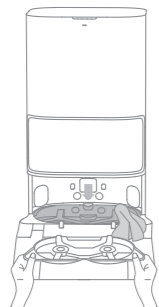
1. יש לבחור את הפונקציה ניקוי מגש השטיפה באפליקציה, והרובוט ייצא מתחנת הבסיס באופן אוטומטי. יש להוציא את לוח הכביסה ולהמתין עד שהמים ימלאו את תחתית תחנת הבסיס.



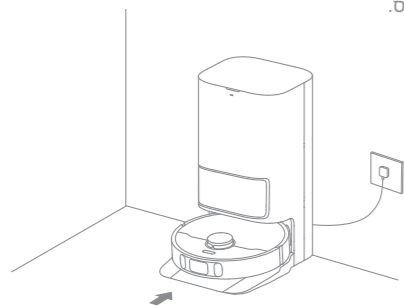
2. יש לשטוף את לוח הכביסה במים נקיים ולהשתמש בכלי הניקוי המתאים כדי לנקות את החלק התחתון של תחנת הבסיס.



3. לאחר רגע, תחנת הבסיס תשאב אוטומטית את המים המשומשים. לאחר מכן יש לייבש אותו עם מטלית רכה ויבשה, ולהחזיר את קרש הכביסה למקומו.



4. יש להשתמש באפליקציה או ללחוץ לחיצה קצרה על הכפתור ברובוט כדי לגרום לו לחזור לתחנת הבסיס.

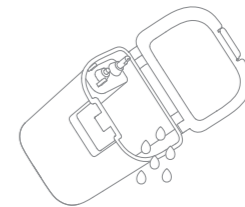


הערה: אין לגרום לרובוט לחזור לתחנת הבסיס במהלך הניקוי.

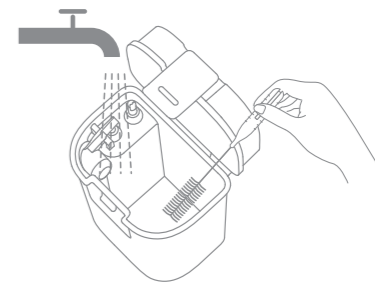
## תחזוקה שוטפת

## מיכל המים המשומשים

1. יש להסיר את מיכל המים המשומשים, לפתוח את המכסה שלו ולשפוך את המים המשומשים.



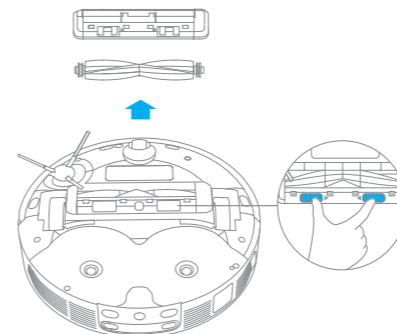
2. יש לשטוף את מיכל המים המשומשים במים נקיים, ולהשתמש בכלי ניקוי מתאים לניקוי הדופן הפנימית של מיכל המים המשומשים.



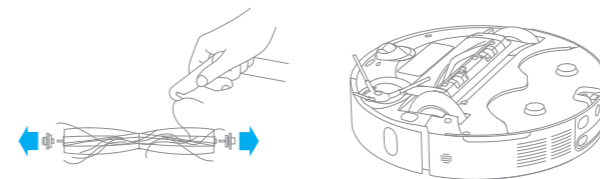
הערה: כדור הציפה במיכל המים המשומשים הוא חלק נע. אין להפעיל יותר מדי כוח בעת ניקויו כדי להימנע מפגיעה בו.

## מברשת ראשית

1. יש ללחוץ על תופסני מגן המברשת פנימה כדי להסיר את מגן המברשת ולהרים את המברשת החוצה מהרובוט.



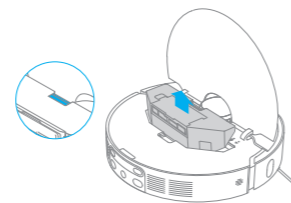
2. יש למשוך החוצה את מכסי המברשת בשני קצוות המברשת כפי שמוצג באיור. יש להשתמש בכלי ניקוי מתאים כדי להסיר שערות שהסתככו במברשת. יש להתקין מחדש את מכסי המברשת בשני קצוות המברשת, ולאחר מכן להתקין מחדש את המברשת. יש ללחוץ על מגן המברשת כדי לנעול אותו במקומו.



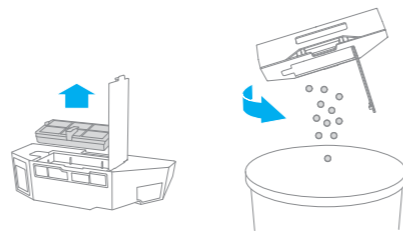
## תחזוקה שוטפת

## קופסת האבק והמסנן

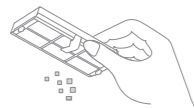
1. יש לפתוח את מכסה הרובוט וללחוץ על התופסן כדי להסיר את קופסת האבק.



2. יש לפתוח את מכסה קופסת האבק ולרוקן אותה כפי שמוצג בתרשים.

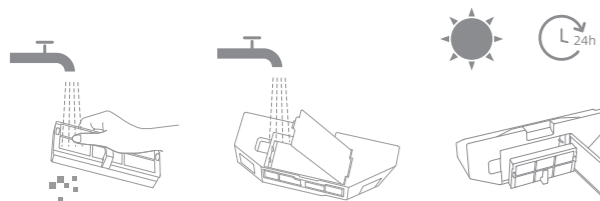


3. יש להקיש בעדינות על הסל של המסנן כדי להסיר את הלכלוך.



הערה: אין לנסות לנקות את המסנן עם מברשת, אצבע או חפצים חדים כדי למנוע נזק.

4. יש לשטוף את קופסת האבק ואת המסנן במים ולייבש אותם לחלוטין לפני התקנתם מחדש.

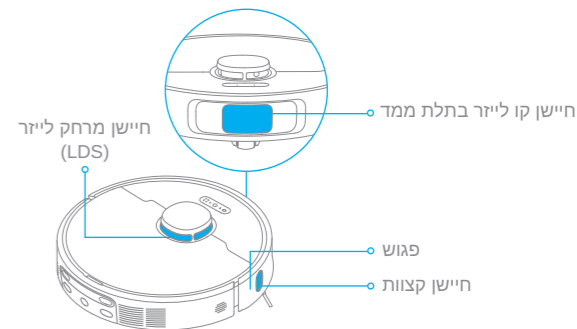


הערה:  
 • יש לשטוף את קופסת האבק ואת המסנן במים נקיים בלבד. אין להשתמש בשום חומר ניקוי.  
 • יש להשתמש בקופסת האבק ובמסנן רק כשהם יבשים לחלוטין.



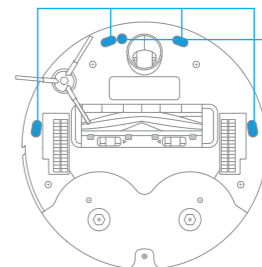
## חיישני הרובוט

יש לנגב את החיישנים של הרובוט באמצעות מטלית רכה ויבשה, כפי שמוצג בתרשים לעיל:



חיישני צוק

חיישן שטיח



הערה: מטלית רטובה עלולה לגרום לנזק למרכיבים רגישים בתוך הרובוט ובתחנת הבסיס. יש להשתמש במטלית יבשה לניקוי.

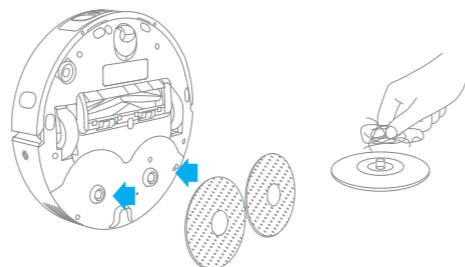
## מברשת צדדית

יש להסיר ולנקות את מברשת הצד.

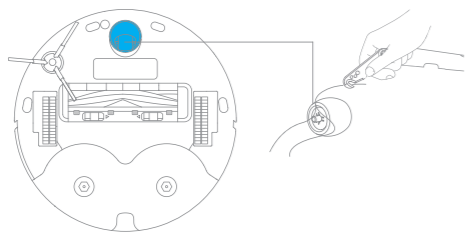


## מחזיק רפידת המגב

יש להסיר ולנקות את מחזיק רפידת המגב.



## גלגל כל-כיווני



הערה:

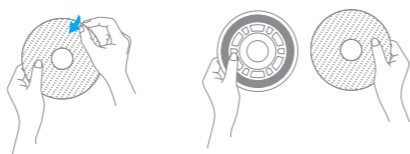
- יש להשתמש בכלי כגון מברג קטן כדי להפריד את הציר והצמיג של הגלגל הכל-כיווני. אין להפעיל כוח מופרז.
- יש לשטוף את הגלגל הכל-כיווני מתחת למים הזורמים ולהחזיר אותו לאחר ייבוש מלא.

בעיה	פתרון
הרובוט אינו נדלק.	הסוללה חלשה. יש לטעון מחדש את הרובוט על הבסיס ולנסות שוב. הטמפרטורה של הסוללה נמוכה מדי או גבוהה מדי. מומלץ להפעיל את המכשיר בטמפרטורה שבין 0°C ל-40°C.
לא ניתן להטעין את הרובוט.	תחנת הבסיס אינה מחוברת לחשמל, יש לוודא ששני הקצוות של כבל החשמל שלה מחוברים כהלכה. המגע בין מגעי הטעינה בתחנת הבסיס לרובוט גרוז, נא לנקות את מגעי הטעינה. יש לבדוק אם יש עצם זר במחבר של הרובוט ולהסיר את העצם הזר אם קיים.
הרובוט לא מצליח להתחבר ל-Wi-Fi.	סיסמת רשת ה-Wi-Fi שגויה. יש לוודא שהסיסמה המשמשת לחיבור לרשת ה-Wi-Fi נכונה. הרובוט אינו תומך בחיבור Wi-Fi של 5 GHz. יש לוודא שהרובוט מחובר לחיבור Wi-Fi במהירות 2.4 GHz. אות ה-Wi-Fi חלש. יש לוודא שהרובוט נמצא באזור עם כיסוי Wi-Fi טוב. ייתכן שהרובוט לא מוכן להגדרה. יש לצאת ולהיכנס מחדש לאפליקציה ולאחר מכן לנסות שוב לפי ההוראות.
הרובוט לא יכול למצוא ולחזור לתחנת הבסיס.	תחנת הבסיס מנותקת מהחשמל או זהה כשהרובוט לא נמצא עליה. יש לחבר את תחנת הבסיס לאספקת החשמל או להניח את הרובוט על תחנת הבסיס לטעינה. יש יותר מדי מכשולים מסביב לתחנת הבסיס. יש למקם את תחנת הבסיס באזור פתוח יותר. הזזת הרובוט עלולה לגרום לו למקם את עצמו מחדש, והוא יצור מחדש מפה אם המיקום מחדש ייכשל. אם הרובוט רחוק מדי מתחנת הבסיס, ייתכן שהוא לא יוכל לחזור אוטומטית בעצמו, ובמקרה זה יש צורך למקם את הרובוט באופן ידני על תחנת הבסיס. יש לנגב את אזור האיתות בתחנת הבסיס כדי להסיר אבק או פסולת.
הרובוט נתקע מול תחנת הבסיס ולא יכול לחזור אליה.	יש לפנות כל חסימה בטווח של 5 ס"מ בצד שמאל ובצד ימין או בטווח של 1.5 מ' מול תחנת הבסיס, כדי למנוע את חסימת הרובוט. מסלול החזרה לטעינה חסום, למשל, הדלת סגורה. הרובוט עלול להחליק אם הרצפה מול תחנת הבסיס רטובה מדי. אם כן, יש לנקות את עודפי המים לפני ניסיון חוזר. מומלץ להעביר את תחנת הבסיס למקום אחר ולנסות שוב. יש לוודא שלוחית הארכת הרמפה מותקנת כהלכה.

## תחזוקה שוטפת


## רפידת המגב

יש להסיר את רפידת המגב ממחזיק משטח המגב כדי להחליפו.





## סוללה

הרובוט מכיל ערכת סוללות ליתיום-יון בעלת ביצועים גבוהים. יש לוודא שהסוללה משארת טעונה היטב לשימוש יומיומי כדי לשמור על ביצועי סוללה אופטימליים. אם הרובוט אינו בשימוש לפרק זמן ממושך, יש לכבות ולאחסן אותו. כדי למנוע נזק מפריקת יתר, יש להטעין את הרובוט לפחות פעם בשלושה חודשים.

בעיה	פתרון
הרובוט אינו ממשיך לנקות לאחר טעינה.	ייתכן שהרובוט מוגדר למצב (DND) נא לא להפריע, אשר ימנע ממנו לחדש את הניקוי. הרובוט לא יחדש את הניקוי לאחר החזרה ידנית של הרובוט לתחנת הבסיס או שליחת הרובוט לטעינה דרך האפליקציה או הכפתור  .
התחנה אינה יכולה לרוקן אוטומטית את קופסת האבק.	יש לבדוק אם שקית האבק במיכל האבק מלאה. אם שקית האבק אינה מלאה, יש לבדוק אם יש חסימה כלשהי בפתחי האוורור של הריקון האוטומטי של הרובוט, תחנת הבסיס או תיבת האבק. אם יש, נא לנקות את החלק החסום בזמן.
מפלס המים במגש השטיפה אינו תקין.	יש לבדוק אם האיטום על מיכל המים המשומשים רופף או אינו מותקן כהלכה, ולסדר אותו באופן ידני אם כן. אם הבעיה נמשכת, יש לפנות לצוות השירות לאחר המכירה. יש ללחוץ בעדינות כלפי מטה על מיכל המים המשומשים כדי לוודא שהוא מותקן כהלכה. יש להסיר את מגש השטיפה ולבדוק אם ניקוז הביוב סתום ולנקות אותו. יש לבדוק את תמיסת הניקוי. אין להוסיף שום נוזל מלבד תמיסת הניקוי המאושרת רשמית.
מחזיק רפידת המגב מורם בצורה חריגה.	יש להסיר את מחזיק רפידת המגב כדי לבדוק אם יש עצם זר שתקוע בו, ולנסות להפעיל מחדש את הרובוט. אם הבעיה נמשכת, יש לפנות לצוות השירות לאחר המכירה.
יש מים מתחת למיכל המים הנקיים או סביב האטם.	בעת הוצאת מיכל המים הנקיים, ייתכן שיישאר מעט מים בצינור מתחת למיכל או סביב האטם. זה נורמלי. נא לנגב עם מטלית יבשה.

לתמיכה נוספת, יש ליצור איתנו קשר דרך <https://mova-tech.com>

בעיה	פתרון
הרובוט אינו נכבה.	לא ניתן לכבות את הרובוט כשהוא בטעינה. מומלץ להיזי את הרובוט מתחנת הבסיס, ולאחר מכן ללחוץ לחיצה ממושכת על כפתור  למשך 3 שניות כדי לכבות אותו. אם לא ניתן לכבות את הרובוט על ידי ביצוע שלב 1, יש ללחוץ לחיצה ממושכת על כפתור  למשך 10 שניות כדי לאלץ את הרובוט להיכבות. אם הבעיה נמשכת, יש ליצור קשר עם שירות הלקוחות.
מהירות הטעינה איטית.	לוקח בערך 3.5 שעות לטעון את הרובוט במלואו כאשר הסוללה שלו חלשה. הפעלת הרובוט בטמפרטורות מחוץ לטווח שצוין, תאט אוטומטית את מהירות הטעינה כדי להאריך את חיי הסוללה. מגעי הטעינה הן ברובוט והן בבסיס עשויים להיות מלוכלכים, נא לנגב אותם עם מטלית יבשה.
הרעש מתגבר בזמן שהרובוט פועל.	יש לבדוק אם מסנן קופסת האבק סתום. אם כן, יש לנקות או להחליף אותו. עצם קשיח עלול להיתפס במברשת הראשית או בקופסת האבק. יש לבדוק ולהסיר עצמים קשיחים. המברשת הראשית או המברשת הצדדית עלולות להסתברך. יש לבדוק ולהסיר עצמים זרים. יש להעביר את מצב היניקה לרגיל או לשקט.
הרובוט זז מבלי ללכת במסלול שנקבע.	יש לארגן ולסדר חפצים כגון כבלי חשמל ונעלי בית לפני השימוש ברובוט. עבודה על משטחים רטובים וחלקים גורמת להחלקת הגלגל הראשי. מומלץ לייבש את המקומות הרטובים לפני השימוש ברובוט. יש לנגב את חיישן קו הלייזר על הרובוט עם מטלית נקיה, רכה ויבשה כדי לשמור עליהם נקיים וללא חסימות.
הרובוט מפספס את החדרים שיש לנקות.	יש לוודא שדלתות החדרים לניקוי אכן פתוחות. יש לבדוק האם יש סף גבוה מ-2 ס"מ בפתח החדר. הרובוט לא יכול לטפס מעל ספים או מדרגות גבוהים. המקום בחזית החדר לניקוי עלול להיות רטוב וחלקלק, ולגרום לרובוט להחליק ולעבוד בצורה לא תקינה. יש לייבש את הרצפה לפני השימוש ברובוט.

## סילוק והסרה של סוללות

- סוללת הליתיום-יון המובנית מכילה חומרים מסוכנים לסביבה. לפני השלכת הסוללה, יש לוודא שהסוללה מוסרת על ידי טכנאים מוסמכים ושהיא הושלכה במתקן מחזור מתאים.
- יש להוציא את הסוללה מהמכשיר לפני גריטה;
- יש לנתק את המכשיר מרשת החשמל בעת הוצאת הסוללה;
- יש להשליך את הסוללה בבטחה.

### זהירות:

- לפני הסרת הסוללה, יש לנתק את החשמל ולרוקן את הסוללה ככל האפשר.
- יש להשליך סוללות לא נחוצות במתקן מיחזור מתאים.
- אין לחשוף לסביבה בטמפרטורה גבוהה כדי למנוע סיכון לפיצוץ.
- בתנאים פוגעניים, נוזל עלול להיפלט מהסוללה. אם מתרחש מגע, יש לשטוף במים ולפנות לעזרה רפואית.

### מדריך הסרה:

- יש להפוך את הרובוט, להשתמש בכלי מתאים כדי להסיר את הברגים בגב הרובוט, ולאחר מכן להסיר את המכסה.
- יש לנתק את החיבורים בין הסוללה ללוח ה-PCB כדי להסיר את הסוללה.

## מפרטי שימוש

### רובוט

דגם	RLE51SE
זמן טעינה	3.5 שעות בקירוב
מתח נקוב	14.4 V ===
הספק נקוב	75 W
תדירות הפעלה	2400-2483.5 MHz
הספק פלט מרבי	<20 dBm

### תחנת הבסיס

דגם	RCEE0301
תפוקה מדורגת	220-240 V ~ 50-60 Hz
קלט מדורג	20 V === 2 A
הספק נקוב (במהלך ריקון אבק)	700 W
הספק נקוב (במהלך ניקוי)	40 W
מתח נקוב (במהלך טעינה וייבוש)	89 W

בשימוש רגיל, יש לשמור על מרחק הפרדה של 20 ס"מ לפחות בין האנטנה לגוף המשתמש.

הערה: הספק מדורג (במהלך טעינה וייבוש) נקבע על פי ערך ההספק במהלך תקופת הטעינה המלאה.

## قيود الاستخدام

- استخدم الروبوت في بيئات درجة حرارتها المحيطية تتجاوز 0 درجة مئوية وأقل من 40 درجة مئوية. تأكد من خلو الأرض من أية سوائل أو مواد لزجة.
- لمنع الضرر أو الضرر الناتج عن السحب، قم بإزالة أي أشياء مفككة من الأرضية، وقم بإزالة الكابلات أو أسلاك الطاقة الموجودة في مسار التنظيف قبل تشغيل الجهاز.
- إزالة العناصر الهشة أو الصغيرة من الأرض لمنع الروبوت من الاصطدام بها وإتلافها.
- أبعد الشعر والأصابع وأجزاء الجسم الأخرى عن فتحة الشفط الخاصة بالروبوت أثناء العملية.
- احتفظ بأداة التنظيف بعيدةً عن متناول الأطفال.
- لا تقم بتشغيل الجهاز في غرفة ينام فيها رضيع أو طفل.
- لا تضع أطفالاً أو حيوانات أليفة أو أي شيء فوق الروبوت بغض النظر عما إذا كان ثابتاً أو متحركاً.
- لا يمكن إضافة سوى المياه النظيفة ومحاليل التنظيف المعتمدة رسمياً لخزان الماء النظيفة. لا تقم بإضافة أي سائل أخرى مثل الكحول أو أي مطهر. يمكن التحقق من نسبة محلول التنظيف إلى الماء النظيف بالرجوع إلى التعليمات المدونة على زجاجة محلول التنظيف. حافظ على محلول التنظيف في مكان بعيد عن متناول الأطفال.
- لا تستخدم الروبوت لتنظيف أي أشياء محترقة. لا تستخدم الروبوت لالتقاط السوائل القابلة للاشتعال أو القابلة للاحتراق أو الغازات المسببة للتآكل أو الأحماض أو المذيبات غير المخففة.
- لا تقم بتنظيف الأشياء الصلبة أو الحادة بالمكنسة الكهربائية. لا تستخدم الجهاز لالتقاط أشياء مثل الحجارة أو قطع الورق الكبيرة أو أي عنصر قد يسبب انسداد الجهاز.
- يجب إزالة القابس من مأخذ التيار قبل تنظيف الجهاز أو صيانته.

## معلومات السلامة

تجنباً للصدمة الكهربائية أو الحرق أو الإصابة الناجمة عن الاستخدام غير السليم للجهاز، يرجى قراءة دليل المستخدم بعناية قبل استخدام الجهاز والاحتفاظ به للرجوع إليه في المستقبل.

## قيود الاستخدام

- لا ينبغي استخدام هذا المنتج من قبل الأطفال الذين تقل أعمارهم عن 8 سنوات ولا الأشخاص الذين يعانون من قصور جسدي أو حسي أو فكري أو خبرة أو معرفة محدودة دون إشراف أحد الوالدين أو الوصي القانوني لضمان التشغيل الآمن وتجنب أي مخاطر. لا يجوز للأطفال القيام بالتنظيف والصيانة دون إشراف.
- يتم استخدام الجهاز فقط بوحدة الطاقة الكهربائية المُقدّمة مع الجهاز.
- يحتوي هذا الجهاز على بطاريات لا يمكن استبدالها إلا بواسطة الأشخاص المُتخصّصين.
- قم بمسح المنطقة المراد تنظيفها. لا يجوز للأطفال اللعب بالجهاز. تأكد من إبقاء الأطفال والحيوانات الأليفة على مسافة آمنة من الروبوت أثناء تشغيله.
- لا تقم بتركيب الجهاز أو شحنه أو استخدامه في دورات المياه أو حول حمامات السباحة.
- هذا المنتج مخصص لتنظيف الأرضيات في بيئة منزلية فقط. لذلك لا تستخدمه في الهواء الطلق، أو على الأسطح غير الأرضية، أو في بيئة تجارية أو صناعية.
- تأكد من أن الجهاز يعمل بشكل صحيح في بيئة مناسبة. وبخلاف ذلك، فاحرص على عدم استخدام الجهاز.
- في حال تلف سلك الطاقة، يجب استبداله بسلك خاص أو مجموعة خاصة متوفرة من الشركة المصنعة أو وكيل الخدمة التابع لها.
- لا تستخدم الروبوت في منطقة معلقة فوق مستوى سطح الأرض بدون حاجز وقائي.
- لا تضع الروبوت رأساً على عقب. لا تستخدم غطاء مستشعر المسافة بالليزر أو غطاء الروبوت أو مخفف الصدمات كمقبض للروبوت.

## معلومات سلامة الليزر

• يتوافق مستشعر الليزر لهذا المنتج مع معيار منتجات الليزر من الفئة 1  
يُرجى تجنب ملامسته للعين مباشرة أثناء . IEC 60825- 1:2014/EN 60825- 1:2014/A11:2021.  
الاستخدام

منتج ليزر من الفئة 1  
منتج ليزر مخصص للمستهلك  
EN 50689:2021

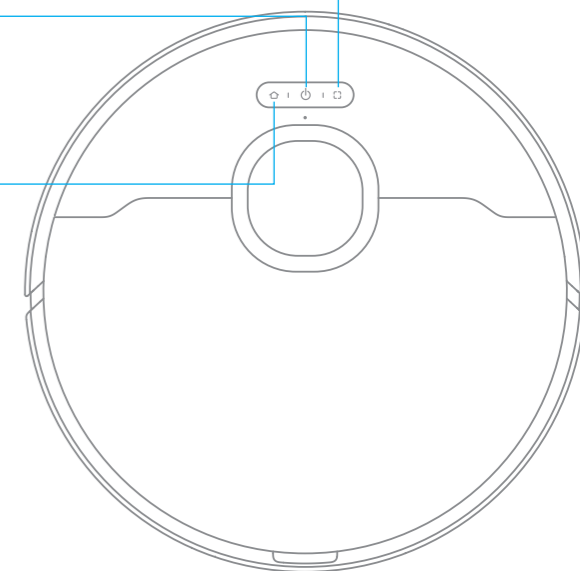
## معلومات السلامة

## قيود الاستخدام

• لا تمسح الروبوت أو القاعدة بقطعة قماش مبللة أو تشطفهما بأي سائل. بعد تنظيف الأجزاء القابلة للغسل، قم بتجفيف الأجزاء بالكامل قبل إعادة تركيبها واستخدامها.  
• يُرجى استخدام هذا المنتج وفقاً للتعليمات الواردة في دليل المستخدم. يتحمل المستخدمون مسؤولية أي خسارة أو ضرر ينشأ عن الاستخدام غير الصحيح لهذا المنتج.

## البطاريات والشحن

• لا تستخدم أي بطارية أو محطة أساسية تابعة لطرف ثالث. لا يمكن استخدام الروبوت إلا بالاستعانة بالمحطة الأساسية طراز RCEE0301.  
• احرص على عدم محاولة تفكيك أو إصلاح أو تعديل البطارية أو المحطة الأساسية بنفسك.  
• لا تضع المحطة الأساسية بالقرب من مصدر الحرارة.  
• لا تستخدم قطعة قماش مبللة أو أيدي مبللة لمسح أو تنظيف نقاط اتصال الشحن الخاصة بالمحطة الأساسية.  
• لا تتخلص من البطاريات القديمة بشكل غير صحيح. يجب التخلص من البطاريات غير الضرورية في منشأة إعادة التدوير المناسبة.  
• إذا أصبح سلك الطاقة تالفاً أو مكسوراً، فتوقف عن استخدامه على الفور واتصل بخدمة ما بعد البيع.  
• تأكد من إيقاف تشغيل الروبوت عند نقله وحفظه في عبوته الأصلية كلما أمكن.  
• إذا لم يتم استخدام الروبوت لفترة طويلة من الوقت، فقم بشحنه بالكامل، ثم قم بإيقاف تشغيله وتخزينه في مكان بارد وجاف. قم بإعادة شحن الروبوت مرة واحدة على الأقل كل 3 أشهر لتجنب الإفراط في تفريغ البطارية.



زر تنظيف البقع  
- اضغط لبدء تنظيف البقع

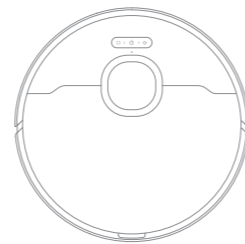
زر الطاقة/التنظيف  
• اضغط مع الاستمرار مدة 3 ثوانٍ للتشغيل أو إيقاف التشغيل  
• اضغط لبدء التنظيف بعد تشغيل الروبوت

زر الإرساء  
• اضغط لإرسال الروبوت مرة أخرى للمحطة الأساسية  
• اضغط مع الاستمرار لمدة 3 ثوانٍ لتعطيل قفل الأطفال

مؤشر الحالة  
• أبيض ثابت: اكتمل التنظيف أو المسح  
• التنفس الأبيض: الشحن (عندما تكون البطارية غير منخفضة)  
• برتقالي ثابت: الاستعداد عند انخفاض البطارية أو الإيقاف المؤقت عند انخفاض البطارية  
• التنفس البرتقالي: الشحن (عندما تكون البطارية منخفضة)  
• برتقالي وامض: خطأ

#### ملاحظة:

- اضغط على أي زر في الروبوت للتوقف أثناء قيام الروبوت بالتنظيف أو العودة إلى الشحن.
- تمكين/تعطيل قفل الأطفال من خلال التطبيق.



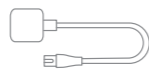
روبوت



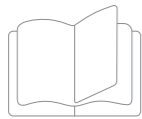
محطة الشحن



الفرشاة الجانبية



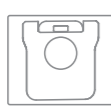
كابل الطاقة



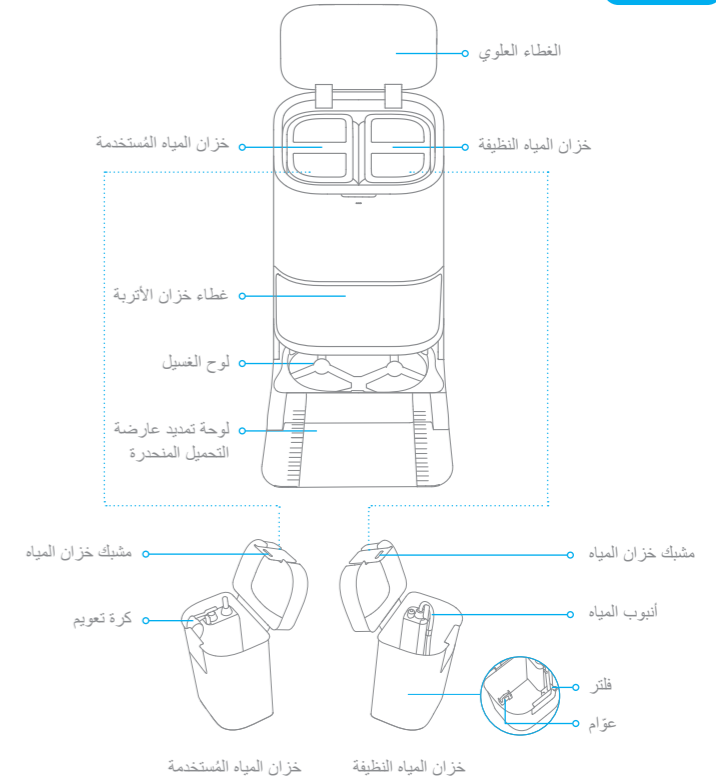
دليل المستخدم



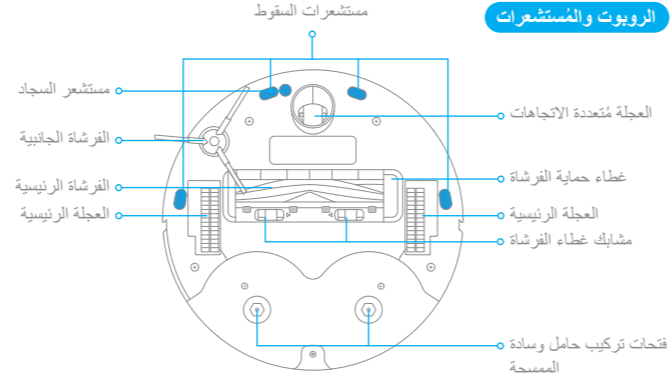
لوحة تمديد عارضة التحميل المنحدرة للمحطة الأساسية

وسادة الممسحة x 2  
(متبنة مسبقاً)حامل وسادة  
الممسحة x 2كيس الأتربة  
(متبنة مسبقاً)

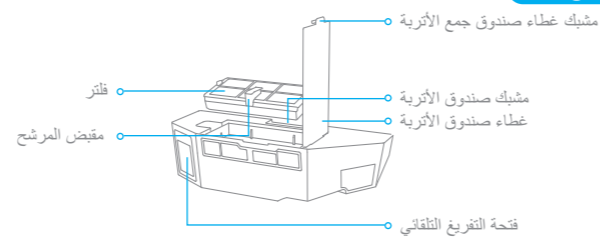
## محطة الشحن



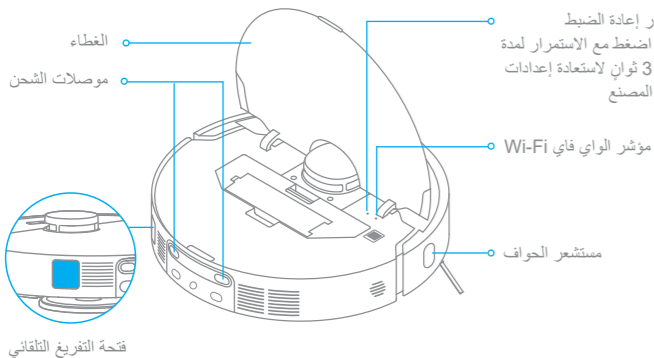
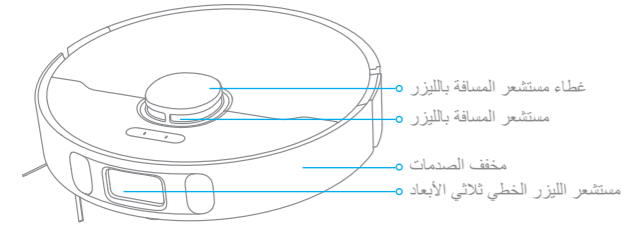
## الروبوت والمستشعرات



## صندوق الأتربة



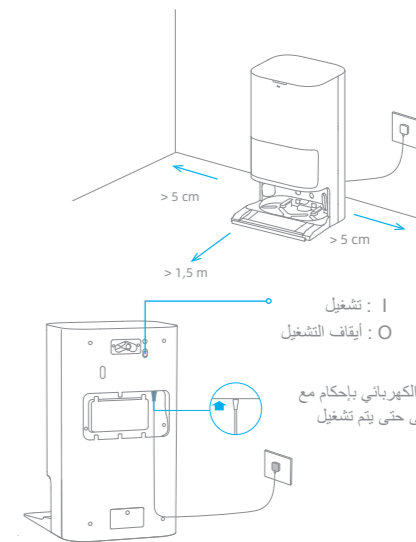
## تركيب الممسحة





## 1. ضع المحطة الأساسية وقم بتوصيلها بمأخذ التيار الكهربائي

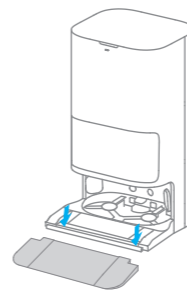
ينبغي وضع محطة الشحن في مكان مفتوح قدر الإمكان وذو إشارة واي فاي جيدة. قم بإزالة أي أشياء أقرب من مسافة 1,5 متر من الأمام ومسافة 5 سم من علي جانبي محطة الشحن. أدخل سلك الطاقة في المحطة الأساسية وقم بتوصيله بالمأخذ.



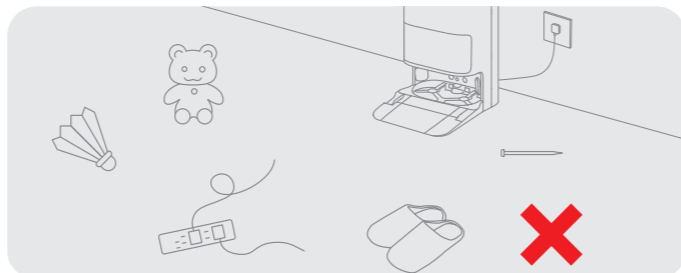
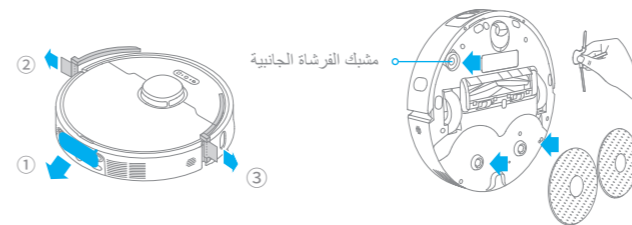
## ملاحظة:

- تأكد من عدم وجود أي شيء يُعيق منطقة الإشارة.
- يُمنح بوضع محطة الشحن على الأرضيات البلاطية أو الرخامية لتجنب تلطخ الأرضيات الخشبية أو السجاد بالماء.

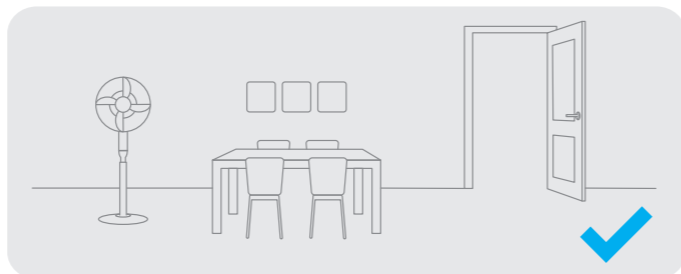
## 2. ثَبِّت لوحة تمدد عارضة التحميل المنحدرة



## 3. أزل أغطية حماية الروبوت وركب مجموعة الفرشاة الجانبية والممسحة



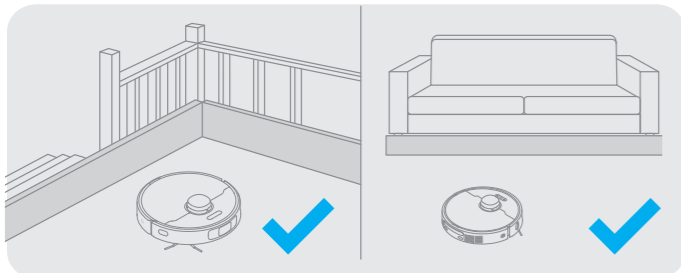
قبل التنظيف، يرجى إبعاد أي عناصر غير مستقرة أو قابلة للكسر أو قيمة أو خطيرة، وارفع الكابلات والملابس والألعاب الأطفال والأجسام الصلبة والأجسام الحادة الموجودة على الأرض لتجنب تشابكها أو خدشها أو اصطدامها بالجزء العلوي للروبوت والتسبب في خسائر.



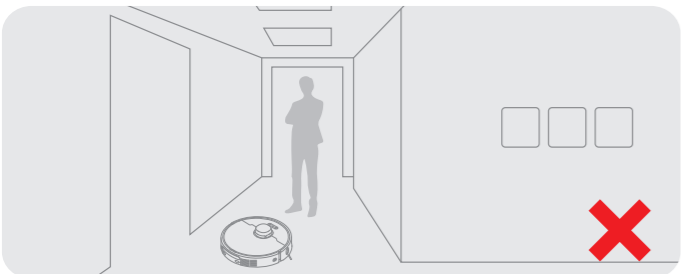
افتح باب الغرفة المراد تنظيفها، وضع الأثاث في مكانه المناسب لخلق مساحة إضافية لعملية التنظيف.

## ملاحظة:

- عند استخدام الروبوت للمرة الأولى، يتعين مرافقته خلال عملية التنظيف لإزالة أي عوائق محتملة في الوقت المناسب.
- تجنب شطف الأجسام الصلبة مثل الأحجار والكرات الفولاذية وأجزاء لعب الأطفال، أو الأجسام الحادة مثل مخلفات البناء والزجاج المكسور والمسامير، وإلا قد تخدش الأرضية.



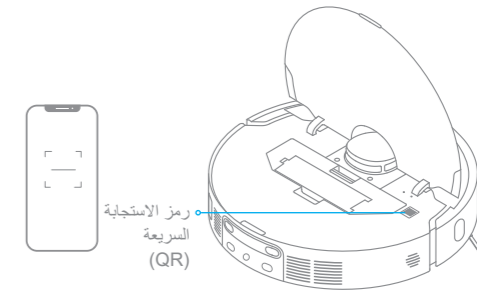
يجب وضع حاجز فيزيائي على حافة الدرج والأريكة قبل البدء في التنظيف لضمان التشغيل الآمن والسلس للروبوت.



لضمان قدرة الروبوت على التعرف على المناطق التي يجب تنظيفها، يتعين تجنب الوقوف أمام الروبوت، أو عند عتبة الباب، أو في الممرات الضيقة.

## 1. تنزيل التطبيق

امسح رمز الاستجابة السريعة QR الموجود على الروبوت لتنزيل التطبيق وتثبيته.



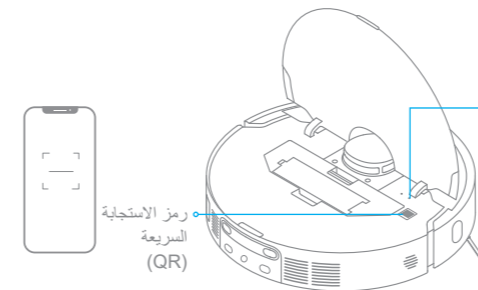
## ملاحظة:

- لا يدعم سوى Wi-Fi بتردد 2,4 جيجا هرتز.
- قد تختلف العمليات الفعلية عن التعليمات الموجودة في هذا الدليل بسبب التحديثات التي يتم إجراؤها على برنامج التطبيق. يُرجى اتباع التعليمات بناءً على إصدار التطبيق الحالي.

## 2. إضافة جهاز

افتح التطبيق، وانقر فوق "امسح رمز الاستجابة السريعة للتوصيل"، وامسح رمز الاستجابة السريعة QR نفسه من على الروبوت مرة أخرى لإضافة الجهاز. يُرجى اتباع التعليمات لإنهاء اتصال Wi-Fi.


**ملاحظة:** إذا كنت ترغب في إعادة تعيين Wi-Fi، فكرر الخطوة 2 ثم اتبع المطالبات لإنهاء اتصال Wi-Fi.

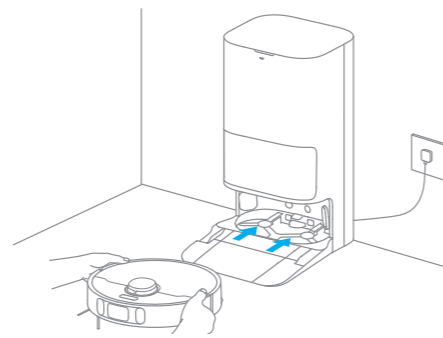


## مؤشر الواي فاي Wi-Fi

- وميض بطيء: يجب إجراء التوصيل
- وميض سريع: جارِ الاتصال
- تشغيل: متصل

## 4. توصيل الروبوت بالمحطة الأساسية

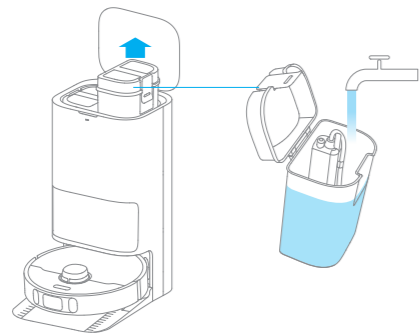
اضغط مع الاستمرار على زر  الموجود على الروبوت لمدة 3 ثوانٍ لتشغيله. ثبت الروبوت على محطة الشحن مع توجيه مجموعة الممسحة نحو لوح الغسيل. ستسمع بعد ذلك إشعارًا صوتيًا عندما يتصل الروبوت بالمحطة الأساسية بنجاح.



**ملاحظة:** يُوصى بشحن الروبوت بالكامل قبل استخدامه لأول مرة. يجب توصيل الروبوت يدويًا بمحطة الشحن لإعادة شحنه، في حال تعذر تشغيله بعد نفاذ البطارية.

## 5. إضافة الماء في خزان المياه النظيفة

أخرج خزان المياه النظيفة من محطة الأساسية، واملأ الخزان بمياه نظيفة. ثم أعد تركيب خزان المياه النظيفة في المحطة الأساسية.



**ملاحظة:** يرجى عدم إضافة الماء الساخن إلى خزان الماء، حيث يمكن أن يتسبب ذلك في تشويه شكل الخزان.

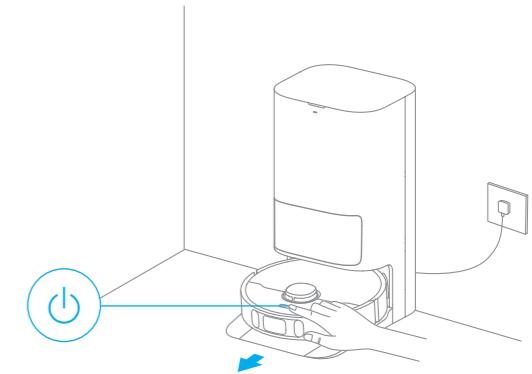
## كيفية الاستخدام

### المكنسة والممسحة

**ملاحظة:** عند استخدام مجموعة الممسحة لأول مرة، يقوم الروبوت بمهمة "مكنسة كهربائية وممسحة" بشكل افتراضي.

### 1. بدء تنظيف

اضغط على الزر  الموجود على الروبوت أو استخدم التطبيق لبدء تشغيل الروبوت من المحطة الأساسية. عندئذ سيخطط الروبوت مسار التنظيف الأمثل وينفذ مهمة التنظيف بناءً على الخريطة التي تم إنشاؤها.

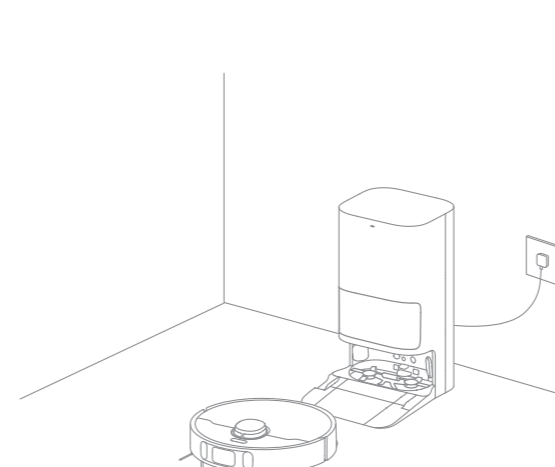


### ملاحظة:

- للتأكد من عودة الروبوت بسهولة إلى المحطة الأساسية بعد التنظيف، يوصى ببدء تشغيل الروبوت من عودته إلى تلك المحطة.
- سيتم تنظيف سادات الممسحة قبل أن يبدأ الروبوت في المسح، لذا يُرجى التحلي بالصبر.
- لا تحرك المحطة الأساسية أو خزان الماء النظيف أو خزان المياه المستعملة أو لوحة الغسيل خلال العملية.



### 2. غسل تلقائي للممسحة

عند التنظيف، سيعود الروبوت تلقائيًا إلى المحطة الأساسية لغسل سادات الممسحة بناءً على تردد تنظيف وسادة الممسحة المحدد في التطبيق.



## كيفية الاستخدام

### التشغيل/إيقاف التشغيل

اضغط مع الاستمرار على الزر  لمدة 3 ثوانٍ لتشغيل الروبوت. يجب أن يضيء مؤشر الطاقة. ضع الروبوت على المحطة الأساسية، ويجب أن يعمل الروبوت تلقائيًا ويبدأ الشحن. لإيقاف تشغيل الروبوت، انقل الروبوت بعيدًا عن المحطة الأساسية واضغط مع الاستمرار على الزر  لمدة 3 ثوانٍ.

### رسم الخرائط السريع

بعد تكوين الشبكة لأول مرة، اتبع الإرشادات الموجودة في التطبيق لإنشاء خريطة بسرعة. سيبدأ الروبوت في التخطيط دون تنظيف. عندما يعود الروبوت إلى المحطة الأساسية، تكون عملية التخطيط قد اكتملت وسيتم حفظ الخريطة تلقائيًا.

### الإيقاف المؤقت/السكون

عندما يكون الروبوت قيد التشغيل، اضغط على أي زر للإيقاف المؤقت. يدخل الروبوت في وضع السكون تلقائيًا، إذا تم إيقافه مؤقتًا لأكثر من 10 دقائق. سيتم إيقاف تشغيل جميع المؤشرات الموجودة على الروبوت. اضغط على أي زر في الروبوت، أو استخدم التطبيق لإيقاف الروبوت.

**ملاحظة:** ستوقف عملية التنظيف الحالية عندما يوضع الروبوت على المحطة الأساسية وهو في وضع الإيقاف المؤقت.

### استئناف التنظيف التلقائي

إذا كانت البطارية منخفضة جدًا، فسيعود الروبوت تلقائيًا إلى المحطة الأساسية لشحنه. بعد وصول الشحن إلى مستوى مناسب، سيعاود الروبوت استكمال مهام التنظيف التي لم يُنهيها بعد.

**ملاحظة:** لاستخدام هذه الوظيفة، يرجى تمكينها من داخل هذا التطبيق.


### وضع عدم الإزعاج (DND)

سيوقف الروبوت من استئناف التنظيف وسيوقف مؤشر الطاقة، عند ضبط الروبوت على وضع عدم الإزعاج (DND). يتم تعطيل وضع عدم الإزعاج بشكل افتراضي في المصنع. يُمكنك استخدام التطبيق لتمكين وضع عدم الإزعاج أو تعديل فترة وضع عدم الإزعاج. تم تعيين فترة عدم الإزعاج افتراضيًا من الساعة 10:00 مساءً إلى الساعة 8:00 صباحًا.



### ملاحظة:

- يتم تنفيذ مهام التنظيف المقررة كالمعتاد خلال فترة عدم الإزعاج.
- بعد انتهاء فترة عدم الإزعاج، سيستأنف الروبوت عملية التنظيف من نفس المكان الذي توقف عنده.

### تنظيف البقع

عندما يكون الروبوت في وضع الاستعداد، اضغط لمدة قصيرة على الزر  لتمكين وضع تنظيف البقع. في هذا الوضع، يقوم الروبوت بتنظيف منطقة مربعة بمساحة 1,5 × 1,5 متر حوله ويعود إلى نقطة الانطلاق بعد اكتمال عملية تنظيف البقع.

### إعادة تشغيل الروبوت

إذا توقف الروبوت عن الاستجابة أو تعذر إيقاف تشغيله، فاضغط مع الاستمرار على الزر  لمدة 10 ثوانٍ لإيقاف تشغيله بقوة. ثم اضغط مع الاستمرار على الزر  لمدة 3 ثوانٍ لتشغيل الروبوت.

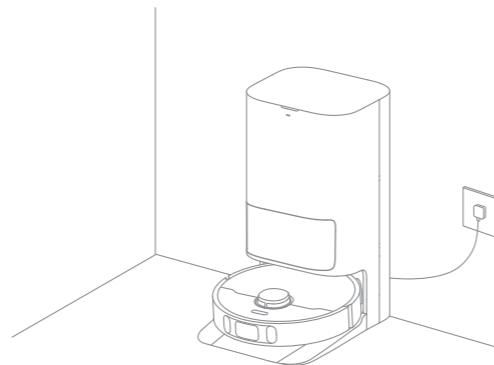
## قطع الغيار

يوصى بالرجوع إلى استخدام الملحق الموجود في التطبيق أو الجدول التالي للصيانة الروتينية، للحفاظ على الأداء الأمثل للروبوت.

قطعة الغيار	وتيرة الصيانة	فترة الاستبدال
خزان المياه المستخدمة	بعد كل استعمال	/
خزان المياه النظيفة	مرة واحدة كل أسبوعين	كل 6 إلى 12 أشهر
الفرشاة الرئيسية		كل 3 إلى 6 أشهر
مُرْشِح صندوق الأتربة		/
الفرشاة الجانبية		/
حامل ومادة الممسحة		/
لوح الغسيل	مرة واحدة كل شهر	/
منطقة إشارة المحطة الأساسية		/
موصلات الشحن		/
فتحات تهوية ذاتية التفريغ		/
العجلة متعددة الاتجاهات		/
مستشعر الحواف		/
مستشعر المسافة بالليزر	/	
مستشعر الليزر الخطي ثلاثي الأبعاد	/	

## 3. قم بتفريغ صندوق الغبار تلقائيًا وغسل وتجفيف وسادات الممسحة

بعد انتهاء الروبوت من مهمة التنظيف والعودة إلى المحطة الأساسية للشحن، ستبدأ المحطة الأساسية تلقائيًا في إفراغ صندوق الأتربة. وبعدها ستقوم بغسل وتجفيف وسادات الممسحة.



## ملاحظة:

- إذا تم إيقاف تشغيل وظيفة التفريغ التلقائي في التطبيق، فلن تقوم محطة الشحن بإفراغ صندوق الأتربة تلقائيًا.
- ستقوم المحطة الأساسية بإفراغ صندوق الغبار وفقًا للإعدادات الموجودة في التطبيق.

## 4. تنظيف خزان المياه المستخدمة

بعد أن ينهي الروبوت مهمته، يُرجى تنظيف خزان المياه المستخدم لتجنب انبعاث أي رائحة.

## المسح بعد التنظيف

يمكنك تمكين الممسحة بعد التنظيف بالمكنسة من خلال التطبيق، وسيبدأ الروبوت بإزالة مجموعة الممسحة الموجودة في المحطة الأساسية لتنظيف الأرض. سيعاود الروبوت تفريغ صندوق الأتربة بعد الانتهاء من عملية التنظيف بالمكنسة الكهربائية، ثم يقوم تلقائيًا بخفض مجموعة الممسحة.

## التنظيف بالمكنسة الكهربائية فقط

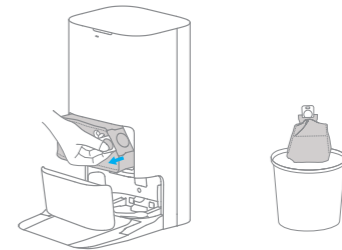
مكّن "المكنسة الكهربائية فقط" في التطبيق، وسيقوم الروبوت تلقائيًا برفع مجموعة الممسحة وبدء التنظيف بالمكنسة الكهربائية.

## المسح فقط

يمكنك تمكين وظيفة الممسحة من التطبيق، وسيبدأ الروبوت بالتحقق مما إذا كانت مجموعة الممسحة مثبتة. إذا لم تكن مجموعة الممسحة مثبتة، فإنه يتم تثبيتها يدويًا ويقوم الروبوت بالبدء في عملية المسح تلقائيًا.

## كيس الأتربة

1. قم بإزالة غطاء خزان الغبار وتخلص من كيس الغبار.



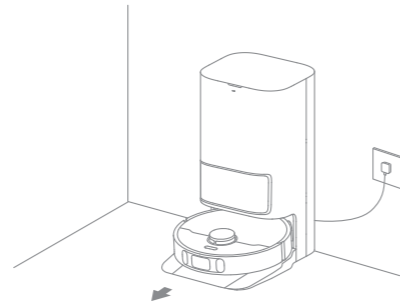
ملاحظة: سيؤدي سحب المقبض لأعلى إلى إغلاق كيس الأتربة لمنع سقوط الأتربة والأوساخ عن طريق الخطأ.

2. أزل الغبار والأوساخ من الفلتر باستخدام قطعة جافة من القماش.

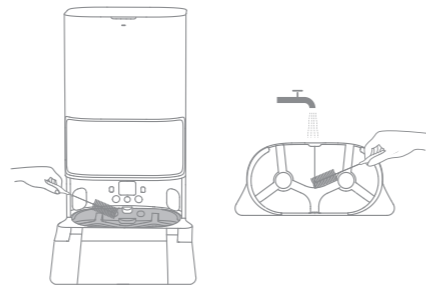


## قاعدة لوحة الغسيل

1. قم بتمكين وظيفة تنظيف قاعدة لوحة الغسيل في التطبيق، وسيخرج الروبوت من المحطة الأساسية تلقائيًا. أخرج لوح الغسيل وانتظر حتى يملأ الماء الجزء السفلي من المحطة الأساسية.

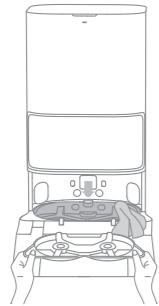


2. اشطف لوح الغسيل بالماء النظيف، واستخدم أداة التنظيف لتنظيف الجزء السفلي من القاعدة الأساسية.

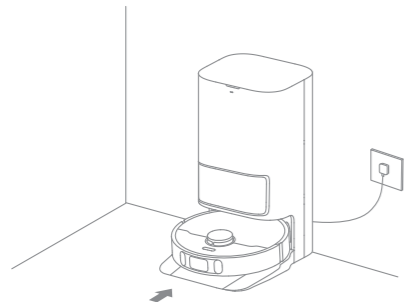


ملاحظة: أثناء التنظيف، لا تجعل الروبوت يعود إلى المحطة الأساسية.

3. وبعد لحظة، ستقوم المحطة الأساسية بضخ المياه المستخدمة تلقائيًا. ثم جففها بقطعة قماش ناعمة وجافة، ثم أعد لوح الغسيل إلى مكانه.

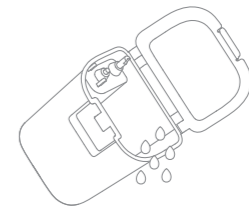


4. استخدم التطبيق أو اضغط لفترة وجيزة على زر الموجود على الروبوت لإعادته إلى المحطة الأساسية.

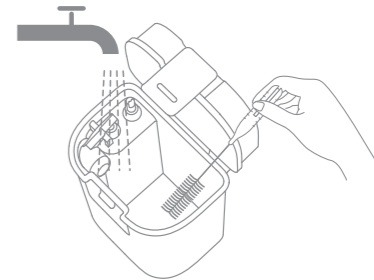


## خزان المياه المستخدمة

1. قم بإزالة خزان المياه المستعملة، وافتح غطائه، واسكب المياه المستعملة.



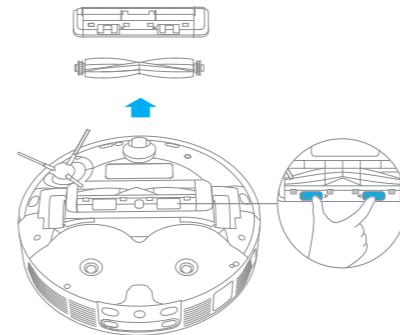
2. اشطف خزان المياه المستخدم بالماء النظيف واستخدم أداة مناسبة لتنظيف جداره الداخلي.



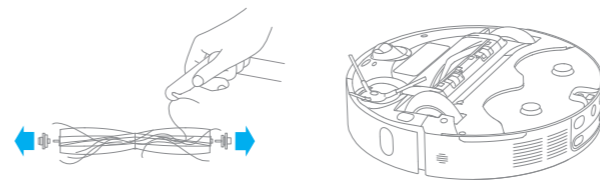
**ملاحظة:** تعد الكرة العائمة في صهريج المياه المستخدمة جزءًا متحركًا. لا تستخدم القوة المفرطة عند التنظيف لتجنب التسبب في حدوث الأضرار.

## الفرشاة الرئيسية

1. اضغط على مشابك حماية الفرشاة نحو الداخل لإزالة وافي الفرشاة ورفع الفرشاة من الروبوت.

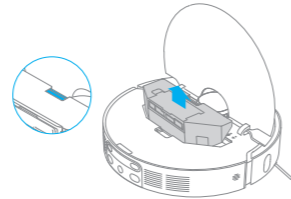


2. اسحب أغطية الفرشاة من طرفي الفرشاة كما هو موضح في الشكل. استخدم أداة التنظيف المناسبة لإزالة أي شعر متشابك في الفرشاة. أعد تركيب أغطية الفرشاة على طرفي الفرشاة، ثم أعد تركيب الفرشاة. اضغط على وافي الفرشاة لتركيبه في مكانه.

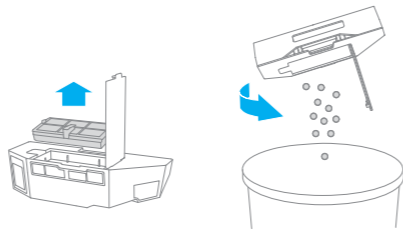


## صندوق الأتربة والفلتر

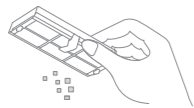
1. افتح غطاء الروبوت واضغط على مشبك صندوق الأتربة لإزالة صندوق الأتربة.



2. افتح غطاء صندوق الأتربة وأزل الفلتر، ومن ثم أفرغ صندوق الأتربة كما هو موضح في الرسم التخطيطي.

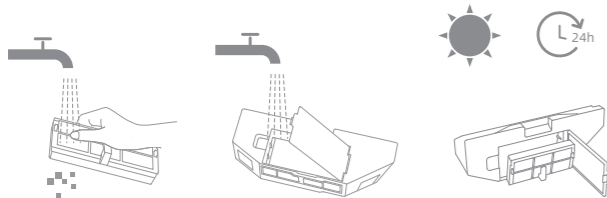


3. انقر برفق على سلة الفلتر لإزالة الأتربة.



**ملاحظة:** لا تحاول تنظيف المرشح باستخدام فرشاة أو إصبع أو أدوات حادة لتجنب التلف.

4. اشطف صندوق الأتربة والفلتر بالماء وجففه تمامًا قبل إعادة تركيبه.

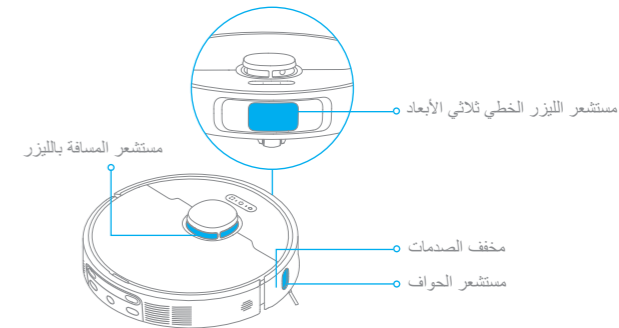


## ملاحظة:

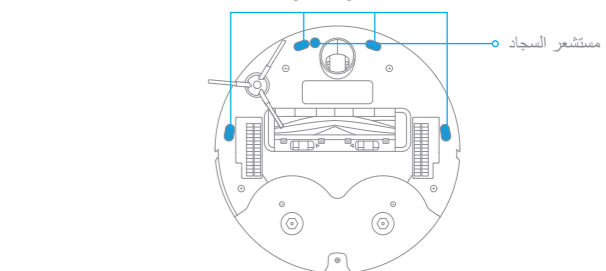
- اشطف صندوق الأتربة والمرشح بالماء النظيف فقط. لا تستخدم أي مُنظف.
- استخدم صندوق الأتربة والمرشح فقط بعد الجفاف تمامًا.

## مستشعرات الروبوت

امسح مستشعرات الروبوت باستخدام قطعة قماش ناعمة وجافة، كما هو موضح في الشكل أدناه:



## مستشعرات السقوط



**ملاحظة:** يمكن أن يتسبب استخدام قطعة قماش مبللة في تلف العناصر الحساسة داخل الروبوت ومحطة الشحن. يرجى استخدام قطعة قماش جافة للتنظيف.

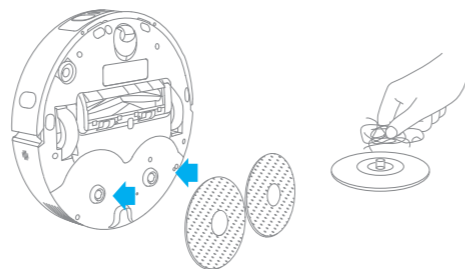
## الفرشاة الجانبية

يُرجى إزالة الفرشاة الجانبية وتنظيفها.



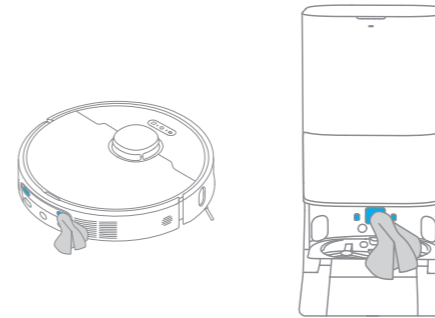
## حامل وسادة الممسحة

أزل ونظف حامل وسادة الممسحة.



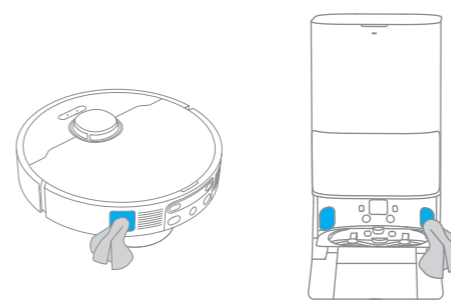
## موصلات الشحن ومنطقة الإشارة

قم بتنظيف مناطق اتصال الشحن ومنطقة استقبال الاشارات بقطعة قماش ناعمة وجافة.

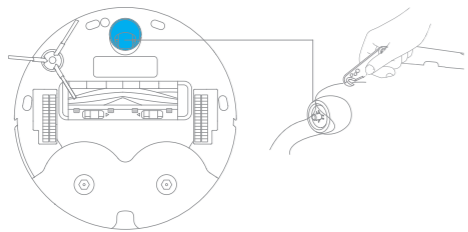


## فتحات تهوية ذاتية التفريغ

يُرجى تنظيف فتحات الإفراغ التلقائية في الروبوت ومحطة الشحن باستخدام قطعة قماش ناعمة وجافة من القماش.



## العجلة متعددة الاتجاهات



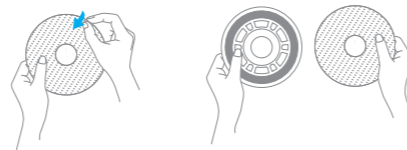
## ملاحظة:

- استخدم أداة مثل مفاغ صغبر لفصل المحور وإطار العجلة متعددة الاتجاهات. لا تستخدم القوة المفرطة.
- اشطف العجلة متعددة الاتجاهات تحت الماء الجاري وأعدّها بعد تجفيفها بالكامل.

المشكلة	الحل
لا يمكن تشغيل الروبوت.	البطارية منخفضة. اعد شحن الروبوت على القاعدة والمحاولة مرة أخرى. درجة حرارة البطارية منخفضة جدًا أو مرتفعة جدًا. يُوصى بتشغيل الجهاز عند درجة حرارة تتراوح بين 32 درجة فهرنهايت (0 درجة مئوية) و 104 درجة فهرنهايت (40 درجة مئوية).
لا يمكن شحن الروبوت.	لم يتم توصيل محطة القاعدة بالطاقة، يرجى التأكد من توصيل كل من طرفي سلك الطاقة بشكل صحيح. الاتصال بين موصلات الشحن لمحطة الشحن والروبوت رديئة، يُرجى تنظيف موصلات الشحن. يرجى التحقق من وجود أي جسم غريب عند موصل الروبوت وإزالته إن وجد.
يفضل الروبوت في الاتصال بشبكة الواي فاي.	كلمة مرور شبكة الواي فاي غير صحيحة. يرجى التأكد من صحة كلمة المرور المستخدمة للاتصال بشبكة الواي فاي الخاصة بك. الروبوت لا يدعم اتصال شبكة الواي فاي 5 جيجا هرتز. يُرجى التأكد من أن الروبوت متصل بشبكة واي فاي بتردد 2,4 جيجا هرتز. إشارة شبكة الواي فاي ضعيفة. يرجى التأكد من أن الروبوت متواجد في منطقة تتوفر فيها تغطية جيدة لشبكة الواي فاي. قد لا يكون الروبوت جاهزًا للتكوين. يُرجى إغلاق التطبيق وأعد الدخول مرة أخرى، ثم حاول تنفيذ الخطوات كما هو موضح.
لا يُمكن للروبوت العودة إلى محطة الشحن.	قد تكون محطة الشحن غير متصلة بالطاقة أو تم نقلها ولم يكن الروبوت مثبت عليها. يُرجى توصيل المحطة الأساسية بمصدر الطاقة أو وضع الروبوت على المحطة الأساسية لثمنه. يوجد الكثير من العوائق حول محطة الشحن. يرجى وضع محطة الشحن في منطقة أكثر انفتاحًا. قد يتسبب نقل الروبوت في إعادة وضعيته، وسيقوم بإعادة إنشاء الخريطة إذا فشلت عملية ضبط وضعيته. إذا كان الروبوت بعيدًا للغاية عن قاعدة الشحن، فقد لا يتمكن من العودة تلقائيًا، وفي هذه الحالة ستحتاج إلى وضع الروبوت على محطة الشحن يدويًا. امسح منطقة الإشارة الموجودة على قاعدة الشحن لإزالة الغبار أو الحطام.
يلتق الروبوت في الجزء الأمامي من قاعدة الشحن ولا يمكنه العودة إليها.	أزل أي عوائق في نطاق 5 سم على الجانبين الأيمن والأيسر أو في نطاق 1,5 متر أمام قاعدة الشحن لمنع عرقلة حركة الروبوت. طريق العودة إلى الشحن محظور، قد يكون الباب مغلقًا. قد ينزلق الروبوت إذا كانت الأرضية أمام قاعدة الشحن مبللة بشكل مفرط. إذا كان الأمر كذلك، فامسح الماء الزائد قبل المحاولة مرة أخرى. يُوصى بنقل محطة الشحن لمكان آخر والمحاولة مرة أخرى. تحقق من تركيب لوحة تمديد عارضة التحميل المنحدرة بشكل صحيح.

## وسادة ممسحة

يرجى إزالة وسادة الممسحة من حامل وسادة الممسحة لاستبدالها.



## بطارية

يحتوي الروبوت على حزمة بطارية ليثيوم أيون عالية الأداء. يرجى التأكد من أن البطارية مشحونة جيدًا للاستخدام اليومي للحفاظ على الأداء الأمثل للبطارية. إذا لم يتم استخدام الروبوت لفترة طويلة، قم بإيقاف تشغيله وتخزينه. لمنع الضرر الناتج عن التفريغ الزائد، قم بشحن الروبوت مرة واحدة على الأقل كل ثلاثة أشهر.



المشكلة	الحل
لا يمكن تشغيل الروبوت التنظيف بعد الشحن.	تأكد من عدم تعيين الروبوت على وضع عدم الإزعاج (DND)، حيث يمنع هذا الوضع من استئناف عملية التنظيف. لا يستأنف الروبوت التنظيف بعد إعادته يدويًا إلى المحطة الشحن أو إرساله للشحن عبر التطبيق أو باستخدام الزر  .
لا يمكن للمحطة إفراغ صندوق الأتربة تلقائيًا.	تحقق مما إذا كان كيس الغبار في خزان الغبار ممتلئًا. إذا لم يكن كيس الأتربة ممتلئًا، فتتحقق مما إذا كان هناك أي عائق في فتحات التفريغ التلقائي للروبوت أو المحطة الأساسية أو صندوق الأتربة. قم بتنظيف الجزء المسدود في الحال، إن وجد.
مستوى الماء في لوح الغسيل غير طبيعي.	تحقق مما إذا كان مانع التسريب الموجود على خزان المياه المستعمل فضفاضًا أو غير مثبت بشكل صحيح، وأعد ضبطه يدويًا إذا كان الأمر كذلك. إذا استمرت المشكلة، فيرجى الاتصال بفريق خدمة ما بعد البيع. اضغط بلطف على خزان المياه المستعملة للتأكد من تركيبه بشكل صحيح. أزل لوحة المسح وتحقق مما إذا كان مجاري التصريف مسدودًا وقم بتنظيفه. افحص محلول التنظيف. لا تقم بإضافة أي سائل بخلاف محلول التنظيف المعتمد رسميًا.
حامل وسادة الممسحة مرفوع بشكل غير طبيعي.	الرجاء إزالة حامل وسادة الممسحة للتحقق مما إذا كان هناك أي جسم غريب عالق فيه، وحاول إعادة تشغيل الروبوت. إذا استمرت المشكلة، فيرجى الاتصال بفريق خدمة ما بعد البيع.
يوجد ماء تحت خزان الماء النظيف أو حول السداد.	عند إخراج خزان الماء النظيف، قد يترك بعض الماء في الأنبوب أسفل الخزان أو حول السداد، وهذا أمر طبيعي، يرجى مسحه بقطعة قماش جافة.

لمزيد من الدعم، اتصل بنا عبر <https://mova-tech.com>

المشكلة	الحل
لا يمكن إيقاف تشغيل الروبوت أثناء الشحن. يوصى بنقل الروبوت من المحطة الأساسية، ثم اضغط مع الاستمرار على الزر  لمدة 3 ثوانٍ لإيقاف تشغيله. إذا تعذر إيقاف تشغيل الروبوت عن طريق تنفيذ الخطوة 1، فاضغط مع الاستمرار على الزر  لمدة 10 ثوانٍ لإيقاف تشغيل الروبوت بالقوة. إذا استمرت المشكلة، يُرجى الاتصال بخدمة ما بعد البيع.	لا يمكن إيقاف تشغيل الروبوت أثناء الشحن. يوصى بنقل الروبوت من المحطة الأساسية، ثم اضغط مع الاستمرار على الزر  لمدة 3 ثوانٍ لإيقاف تشغيله. إذا تعذر إيقاف تشغيل الروبوت عن طريق تنفيذ الخطوة 1، فاضغط مع الاستمرار على الزر  لمدة 10 ثوانٍ لإيقاف تشغيل الروبوت بالقوة. إذا استمرت المشكلة، يُرجى الاتصال بخدمة ما بعد البيع.
سرعة الشحن بطيئة.	يستغرق شحن الروبوت بالكامل حوالي 3,5 ساعة عندما تكون بطاريته منخفضة. إذا قمت بتشغيل الروبوت في درجات حرارة خارج النطاق المحدد، سيؤدي ذلك إلى بطء سرعة الشحن تلقائيًا لتمديد العمر الافتراضي للبطارية. قد تكون موصلات الشحن الموجودة على كل من الروبوت والمحطة الأساسية مُتسخة، لذا يُرجى مسحها بقطعة قماش جافة.
تزداد الضوضاء أثناء تشغيل الروبوت.	تحقق مما إذا كان فلتر صندوق الأتربة مسدودًا. إذا كان الأمر كذلك، فإنه يمكنك تنظيفه أو استبداله. قد يعلق جسم صلب في الفرشاة الرئيسية أو صندوق الأتربة. افحص وقم بإزالة أي جسم صلب. قد تتشابك الفرشاة الرئيسية أو الفرشاة الجانبية. قم بفحص وإزالة أي أجسام غريبة. يرجى تحويل وضع الشفط إلى الوضع العادي (Standard) أو الوضع الهادئ (Quiet).
يتحرك الروبوت بدون اتباع المسار المحدد.	يجب ترتيب الأشياء مثل أسلاك الطاقة والتعال قبل استخدام الروبوت. يؤدي العمل على أسطح مبلتة وزلقة إلى انزلاق العجلة الرئيسية. يوصى بتجفيف الأماكن المبلتة قبل استخدام الروبوت. امسح مستشعر الليزر الخطي الموجود على الروبوت بقطعة قماش نظيفة وناعمة لإبقائه نظيفًا ودون عائق.
الروبوت يفتت الغرف التي يجب تنظيفها.	تأكد من فتح أبواب الغرف المراد تنظيفها. تحقق مما إذا كان هناك حد أعلى من حوالي 2 سم عند باب الغرفة. لا يمكن للروبوت أن يتسلق عتبات أو درجات عالية. قد يكون المكان الموجود أمام الغرفة المراد تنظيفه رطبًا وزلقًا، مما يتسبب في انزلاق الروبوت والعمل بشكل غير طبيعي. يُرجى محاولة تجفيف الأرضية قبل استخدام الروبوت.

## التخلص من البطارية وإزالتها

تحتوي بطارية الليثيوم أيون المدمجة على مواد خطيرة على البيئة. قبل التخلص من البطارية، تأكد من خلع البطارية بواسطة فنيين مؤهلين والتخلص منها في منشأة إعادة التدوير المناسبة.

- يجب إزالة البطارية من الجهاز قبل التخلص منها؛
- يجب فصل الجهاز عن مصدر التيار الكهربائي عند إزالة البطارية؛
- يجب التخلص من البطارية بطريقة آمنة.

### تنبيه:

قبل إزالة البطارية، قم بفصل الطاقة واستنفاد البطارية قدر الإمكان.

يجب التخلص من البطاريات غير الضرورية في منشأة إعادة التدوير المناسبة.

ولا تعرضها لبيئة ذات درجة حرارة عالية؛ لتجنب مخاطر الانفجار.

في ظل ظروف سيئة، قد يتم إخراج السائل من البطارية. في حال حدوث تلامس، اغسلها بالماء واطلب المساعدة الطبية.

### دليل الإزالة:

1. اقلب الروبوت، واستخدم أداة مناسبة لإزالة البراغي الموجودة في الجزء الخلفي من الروبوت، ثم قم بإزالة الغطاء.
2. افصل الأطراف بين البطارية ولوحة الدارة المطبوعة لإزالة البطارية.

## المواصفات

### روبوت

الطراز	RLE51SE
وقت الشحن	حوالي 3,5 ساعات
القيمة المقدرة للفولطية	14,4 V ---
الطاقة المقدرة	75 W
تردد التشغيل	2400~2483,5 MHz
الحد الأقصى لطاقة الإخراج	<20 dBm

### محطة الشحن

الطراز	RCEE0301
الدخل المقدر	220-240 V ~ 50-60 Hz
الخروج المقدر	20 V === 2 A
الطاقة المقدرة (أثناء تفريغ الأثرية)	700 W
الطاقة المحددة (أثناء التنظيف)	40 W
الطاقة المقدرة (أثناء الشحن والتجفيف)	89 W

يجب الحفاظ على مسافة فاصلة تبلغ على الأقل 20 سم بين الهوائي وجسم المستخدم، في ظل الظروف الطبيعية لاستخدام هذا الجهاز.

**ملاحظة:** يتم تحديد الطاقة المقدرة (أثناء الشحن والتجفيف) من خلال قيمة الطاقة أثناء فترة التحميل الكامل.