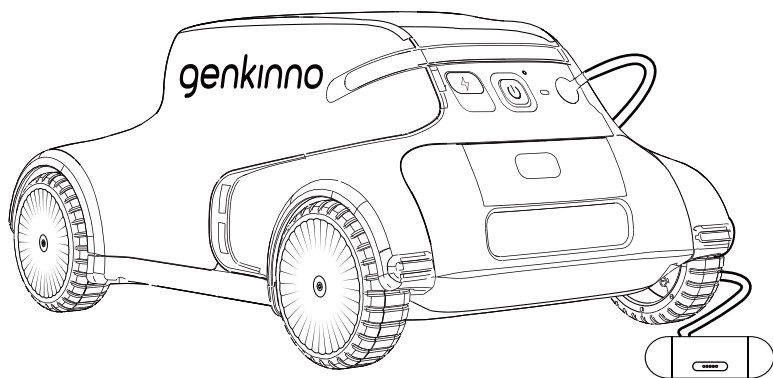


# genkinno

P2

Robotic Pool Cleaner



User Manual

English

Thank you for choosing the genkinno robotic pool cleaner.

This user manual helps you to keep your robot performing at its best. Please take a few moments to read through it.

If you have any questions, contact our customer service for assistance or visit [www.genkinno.com](http://www.genkinno.com) for more information.

Genkinno Customer Service:

Email: [support@genkinno.com](mailto:support@genkinno.com)

Facebook: @genkinno



Tutorial Videos



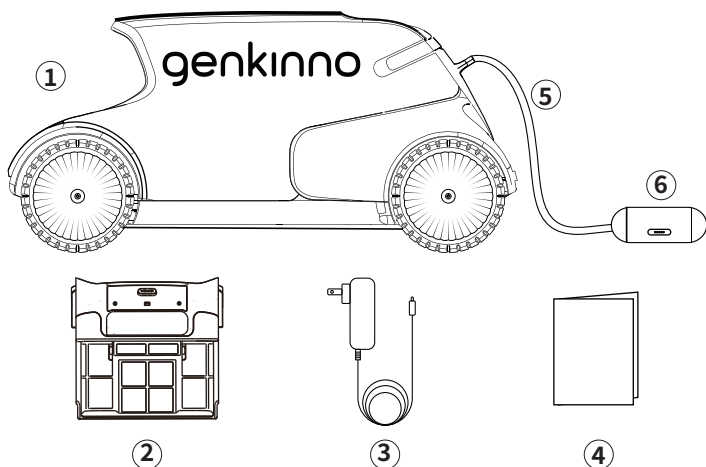
APP Download

# CONTENTS

<b>1. Unboxing Checklist</b> .....	02
1.1 In the Box .....	02
1.2 Robotic Pool Cleaner Parts .....	02
1.3 Water Conditions .....	03
<b>2. Using for the First Time</b> .....	03
2.1 Charging the Cleaner .....	03
2.2 Turning on the Cleaner .....	03
2.3 Checking the Battery Level .....	04
2.4 Placing the Robotic Pool Cleaner into the Pool .....	04
2.5 Auto Parking .....	04
2.6 Taking the Robotic Pool Cleaner out from the Pool .....	04
2.7 Filter Cleaning After Use .....	05
2.8 Robotic Pool Cleaner Charging .....	05
<b>3. More product operating instructions</b> .....	06
3.1 Robotic Pool Cleaner Status Indicator .....	06
3.2 Auto Mode .....	06
3.2.1 Power Auto Switch .....	06
3.3 Manual Mode .....	07
3.3.1 Remote Controller Parts .....	07
3.3.2 Using the Remote Controller for the First Time .....	07
3.3.3 Switching to Manual Mode .....	08
3.3.4 Start/Pause Control .....	08
3.3.5 Controlling the Cleaner .....	08
3.3.6 Remote Controller Status LED .....	09
<b>4. Genkinno APP</b> .....	09
4.1 APP Download & Registration .....	10
4.2 Binding the Cleaner .....	10
4.3 Upgrading Firmware .....	11
<b>5. Storage</b> .....	11
<b>6. Specifications</b> .....	12
<b>7. FAQs</b> .....	13
<b>8. Warning and Cautions</b> .....	14
<b>9. Warranty</b> .....	16

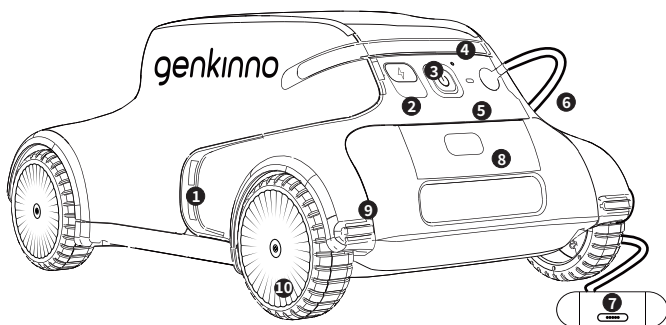
## 1. Unboxing Checklist

### 1.1 In the Box



- |   |                      |
|---|----------------------|
| ① 1 * Genkinno P2                         | ④ 1 * User Manual    |
| ② 1 * Water Filter Tank (Filter Included) | ⑤ 1 * Floating Cable |
| ③ 1 * Charger                             | ⑥ 1 * Handle         |

### 1.2 Robotic Pool Cleaner Parts



- |                      |                          |
|----------------------|--------------------------|
| 1. Drain             | 6. Floating cable        |
| 2. Charge Input      | 7. Handle                |
| 3. Power Button      | 8. Release Button        |
| 4. Battery Level LED | 9. Anti-collision Rubber |
| 5. Function LED      | 10. Wheel                |



### 1.3 Water Conditions

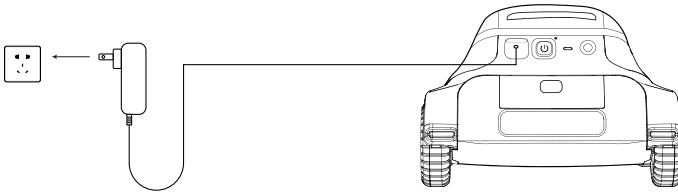
Use the Robotic Pool Cleaner in the following water conditions:

pH	7.0 – 7.8
Temperature	0°C – 40°C
NaCl	5000 ppm, Max

## 2. Using for the First Time

### 2.1 Charging the Cleaner

Before using it for the first time, connect the cleaner and the included charger to charge the battery.



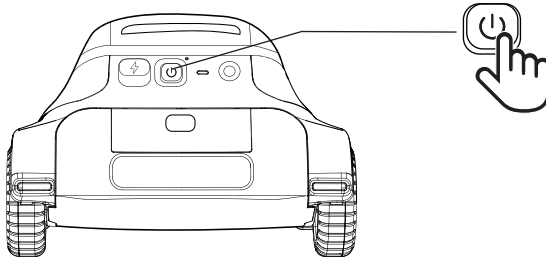
- Before charging, check the charging port and keep it dry.
- When the red indicator light of the adapter is on, the battery is currently charging.
- When the green indicator light of the adapter is on, charging has been completed.

### 2.2 Turning on the Cleaner

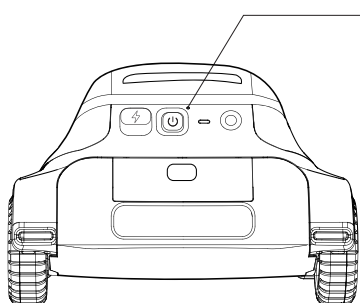
Press the start button once to power on the cleaner.

When the white light flashes, the cleaner is in preheating mode.

After about 30 seconds, the cleaner's indicator light turns constant blue, indicating that the cleaner is ready to start working.



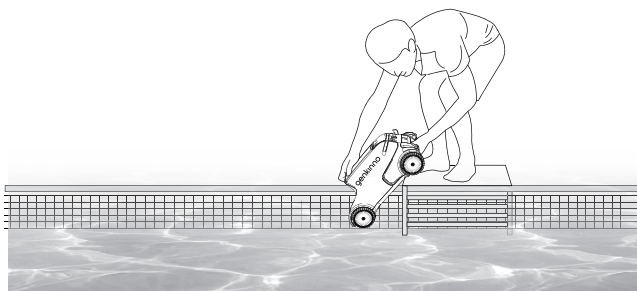
## 2.3 Checking the Battery Level



Green: The cleaner can work normally.  
 Red: The battery level is low, and the battery requires recharging.

## 2.4 Placing the Robotic Pool Cleaner into the Pool

Release it slowly and let it sink steadily to the floor of the pool.

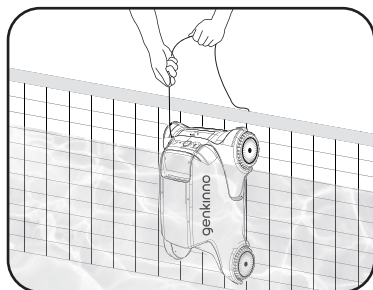


## 2.5 Auto Parking

When the battery is low, it will park itself so that you can easily take it out.

## 2.6 Taking the Robotic Pool Cleaner out from the Pool

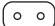
Locate and grab the floating cable, you can then pull the cable to take the cleaner out from the swimming pool.

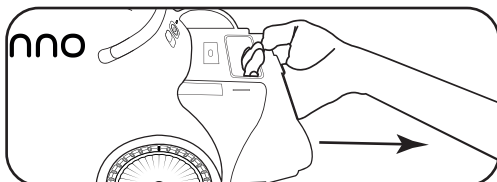


## 2.7 Filter Cleaning After Use

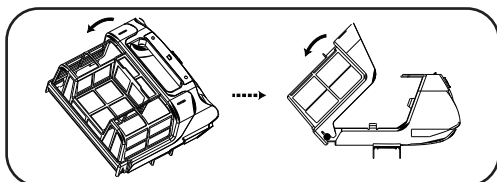
It is highly recommended to clean the filter after each cleaning cycle.



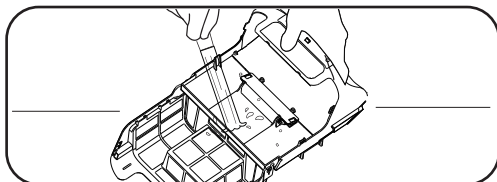
**1**  
Press the button 



**2**  
Pull out of the  
water filter tank.



**3**  
Open the water filter tank.



**4**  
Clean the water filter tank.  
It is recommended to  
thoroughly clean both sides  
of the filter.

## 2.8 Robotic Pool Cleaner Charging

- After each use, please promptly charge the cleaner to ensure its readiness for the next use.
- Before charging, please make sure the charging port is dry.
- Once fully charged, remember to promptly attach the charging plug.

## 3. More product operating instructions

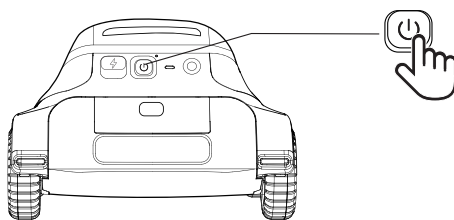
### 3.1 Robotic Pool Cleaner Status Indicators

The cleaner includes LED status indicators. The table below describes the machine status indicated by different flashing methods.

P2 Status Indicator	
Blue flashing slowly	Auto Mode, Pause
Blue constant	Auto Mode, Start
Green flashing slowly	Manual Mode, Pause
Green constant	Manual Mode, Start
White flashing	The cleaner is preheating, and cleaning operations will commence after the preheating process is complete.
Red constant	Low battery

### 3.2 Auto Mode

Once turned on, the cleaner enters Auto Mode by default, where the cleaner begins to operate approximately 0.5 to 1 minutes after being placed inside the pool.

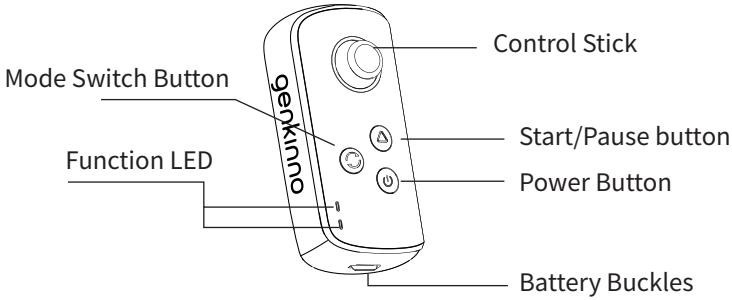


#### 3.2.1 Auto Power Mode Switch

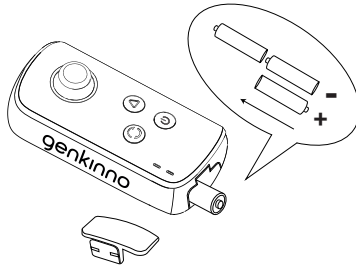
- The default power of the cleaner is 40W;
- The cleaner's maximum suction power of 70W will be activated automatically when the cleaner encounters large leaves and other debris.

## 3.3 Manual Mode (Remote control needs to be purchased separately)

### 3.3.1 Remote Controller Parts

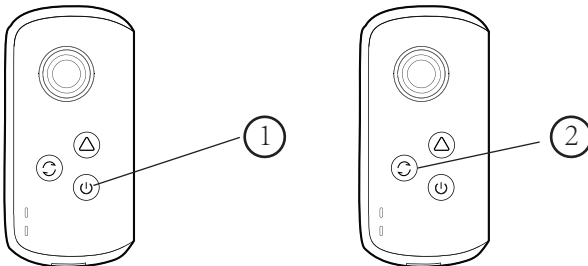


### 3.3.2 Using the Remote Controller for the First Time



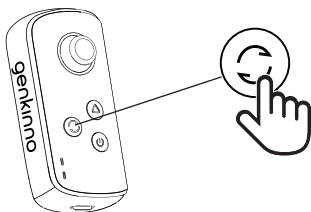
Please insert three AA batteries into the remote controller as shown in the diagram, and then pair the remote controller with the robotic pool cleaner.

- ① Press and hold the power button until the remote controller turns on.
- ② Then press and hold the mode switch button for 5 seconds, wait until the green and blue lights alternate flashing.
- ③ Turn on the cleaner, wait to hear a "beep-," and see the remote controller LED light turn constant state, indicating successful pairing.



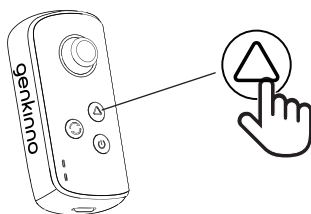
### 3.3.3 Switching to Manual Mode

Turn on the remote controller, press the Mode button. The LED indicator turns green, indicating that the cleaner is switched to manual mode.

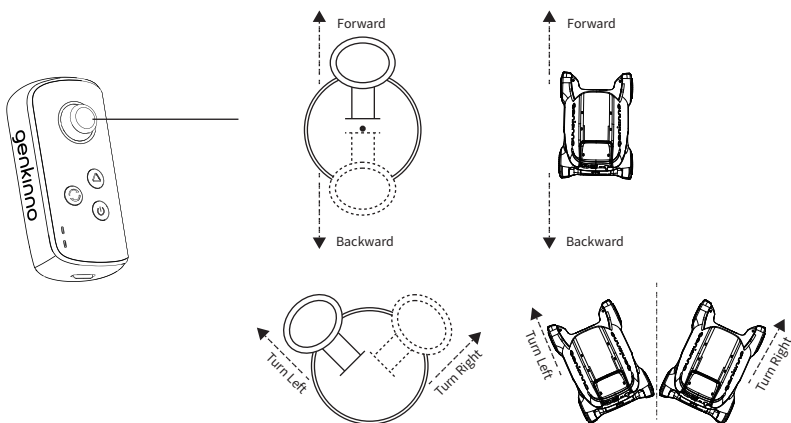


### 3.3.4 Start/Pause Control

Press the Start/Pause button to control the cleaner's start and pause. When the indicator light is green/blue constant, the cleaner is turned on. When the indicator light is flashing, the cleaner has paused working.



### 3.3.5 Controlling the Cleaner



### 3.3.6 Remote Controller Status LED

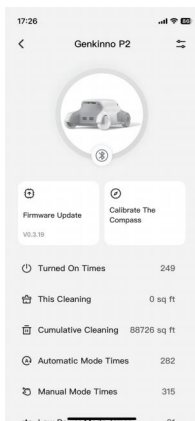
RC Status Indicator	
Blue flashing slowly	Auto Mode, Pause
Blue constant	Auto Mode, Start
Green flashing slowly	Manual Mode, Pause
Green constant	Manual Mode, Start
Red flashing	Remote controller and cleaner disconnected
Red constant	Low battery
Blue and green LED alternating slow flashes	Pairing Status

## 4. Genkinno App

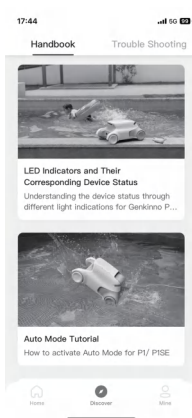
The Genkinno P2 supports connecting to the app for managing the Cleaner. Search for "Genkinno" on Google Play or App Store to download and install the app on your phone.

You can access the following services:

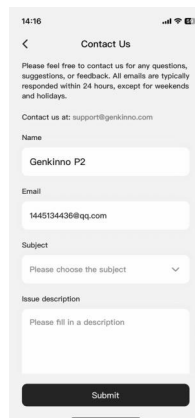
- Manage the Cleaner and perform firmware upgrades.
- Obtain pool and Cleaner maintenance knowledge for better pool management.
- Contact the official support team to receive timely technical assistance.



Device Page



Knowledge Page



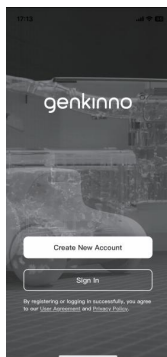
Contact Us Page

## 4.1 APP Download & Registration

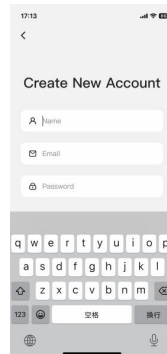
Before using it for the first time, you can scan the code or search for "Genkinno" on App Store or Google Play to download the Genkinno App. Then, follow the prompts to register or log in to your account.



APP Download



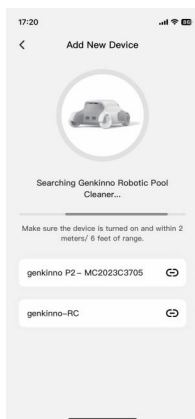
Create New Account



Registration Page

## 4.2 Binding the Cleaner

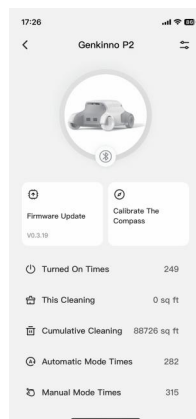
To power on the cleaner, open the app and tap Add New Device. Then select Genkinno P2 to enter the search page. Once the list displays the relevant product name, tap to complete the initial binding process.



Search Page



Add New Device

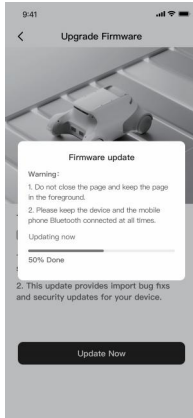


Device Page

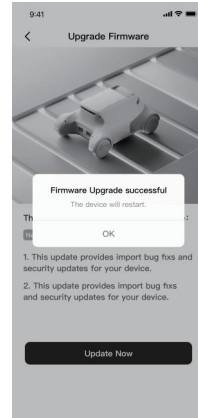


### 4.3 Upgrading Firmware

Tap **Firmware Upgrade** to update the firmware to the latest version. This process takes approximately 3~4 minutes.



Firmware Update



Firmware Upgrade Successful

## 5. Storage

- Please ensure that the cleaner is turned off.
- Ensure that no water is left inside the cleaner and keep it dry.
- Thoroughly clean the filter net and cleaner.
- Store the cleaner indoor away from direct sunlight or weather elements such as rain or frost.
- If the cleaner needs to be stored for a long period of time, it should be charged every three months to maintain battery life between 40%~60%.
- During winter, please store the cleaner indoors to prevent any damage to the cleaner.

## 6. Specifications

<b>PC102</b>	
Product Size	415×276×200 mm
Weight	4.6 kg
Max Water Depth	9 ft
Run Time	120 min ( with 147 μm filter)
Max Pool Size	100 m <sup>2</sup> / 1076 sq ft
Pool Water Temperature	0°C–40°C
PH	7.0–7.8
Max Pool Slope	15°
Storage Temperature	-20°C–45°C, RH ≤ 75%
<b>Cleaning Module</b>	
Cleaning Power	40 W (Default)
Filter Capacity	2.4 L
Filter Density	147 μm
Cleaning Coverage	Only Floor
Cleaning Mode	Auto Mode/Manual Mode
Speed	0.2 m/s
<b>Battery</b>	
Battery Capacity	9000 mAh (97.2 Wh)
Voltage	10.8 V
Adapter Output	12.6 V
Battery Type	3S3P
Charging Environment Temperature	-10°C–40°C
Charging Time	3–3.5h
<b>Remote</b>	
Run Time	30 h
Max Control Distance	30 m
Environment Temperature	0°C–40°C

## 7. FAQs

Symptom	Corrective Action
The cleaner cannot power on	1. The cleaner cannot power on while being connected to the charger. Please unplug the charger and try to power it on again.
	2. If the issue persists, it might be due to the cleaner's battery being depleted. Connect the charger to charge the cleaner. Once the charger indicator light changes from red to green, unplug the charger and attempt to power it on again.
The cleaner cannot charge	1. Check if the charger is in good condition. First, plug the charger directly into a power source and observe if the indicator light on the charger is illuminated. If the charger's indicator light doesn't turn on, the charger is faulty.
	2. If the power indicator light is functioning properly and the cleaner's power indicator light turns green when connected to the power source, there might be an issue with the cleaner. Please contact us for assistance: support@genkinno.com
The cleaner cannot move	1. If the cleaner's battery indicator light is red, the cleaner is running out of battery. Please charge the cleaner.
	2. If the cleaner's battery indicator light is green, please check the filter net in the filter water tank to ensure it is not blocked.
When the cleaner is powered on, status light is flashing white	1. When the cleaner's power is turned on and the white light is flashing, the cleaner is in the startup process. Wait for about 1 minute, and once the cleaner's light turns constant blue, the cleaner is ready to perform the cleaning tasks.
The remote controller cannot control the cleaner	The remote controller and the cleaner may not be paired. Please follow the user manual to pair the cleaner and remote controller and then try again.

## 8. Warning and Cautions

IMPORTANT SAFETY INSTRUCTIONS, READ AND FOLLOW ALL INSTRUCTIONS!

### 8.1 Please adhere strictly to the following WARNINGS:

- Only use the accessories recommended or sold by the manufacturer.
- Do not allow children to ride on the cleaner or play with it.
- Use the original and authorized power adapter only.
- The charging adapter must be connected to a leakage-protected socket when charging.
- Do not operate the cleaner when people or animals are in the pool.
- While charging, the cleaner should be uncovered and kept in a cool place in order to prevent damage of internal electrical components caused by overheating.
- Only certified professionals can disassemble the sealed driving kit of the cleaner.
- Do not operate the cleaner while the pool filter is running.
- Oil sealant for the servo contains grease, which can cause water pollution if exposed.
- If the cleaner needs to be stored for a long period of time, it should be charged every three months to maintain battery life between 40%-60%.
- Please use the original and authorized power adapter only. If the cleaner is not charged for a long time, the battery voltage will be lower than the over-discharge protection voltage due to the self-discharge of the battery, which may cause fatal damage.
- Do not use or store the cleaner near any heat source.
- Do not pierce the shell of the cleaner with nails or other sharp objects.
- Do not hammer, impact, or throw the cleaner.
- Make sure the charging socket is dried before charging.

### FCC Caution

- Any Changes or modifications not expressly approved by the party responsible for compliance could void the user's authority to operate the equipment.
- This device complies with part 15 of the FCC Rules. Operation is subject to the following two conditions: (1) This device may not cause harmful interference, and (2) this device must accept any interference received, including interference that may cause undesired operation.
- This radio is designed for and classified as "General population/uncontrolled Use", the guidelines are based on standards that were developed by independent scientific organizations through periodic and thorough evaluation of scientific studies. The standards include a substantial safety margin designed to assure the safety of all persons regardless of age or health.

- Body and limbs operation; this device was tested for typical body and limbs operations kept 0mm for body worn. To maintain compliance with RF exposure requirements, use accessories that maintain a 0mm for body worn. EN

- Note: This equipment has been tested and found to comply with the limits for a Class B digital device, pursuant to part 15 of the FCC Rules. These limits are designed to provide reasonable protection against harmful interference in a residential installation. This equipment generates, uses and can radiate radio frequency energy and, if not installed and used in accordance with the instructions, may cause harmful interference to radio communications.

However, there is no guarantee that interference will not occur in a particular installation. If this equipment does cause harmful interference to radio or television reception, which can be determined by turning the equipment off and on, the user is encouraged to try to correct the interference by one or more of the following measures:

- Reorient or relocate the receiving antenna.
- Increase the separation between the equipment and receiver.
- Connect the equipment into an outlet on a circuit different from that to which the receiver is connected.
- Consult the dealer or an experienced radio/TV technician for help.
- This appliance can be used by children aged from 8 years and above and persons with reduced physical, sensory or mental capabilities or lack of experience and knowledge if they have been given supervision or instruction concerning use of the appliance in a safe way and understand the hazards involved.
- Children shall not play with the appliance.
- Cleaning and user maintenance shall not be made by children without supervision.

### **8.2 Please ensure that the following PRECAUTIONS are implemented:**

- Check the wheels to make sure they turn properly.
- Always clean and wash the filter tray after using.
- Turn off the cleaner when maintaining, cleaning, or when it is not in use.
- The cleaner should be stored in a cool and ventilated place, away from direct sunshine.
- Due to the limitations of the battery capacity, the cleaner is only suitable for swimming pools with sizes up to 1076 sq. ft (100m<sup>2</sup>); otherwise, the cleaning effect will be impacted or reduced.

## 9. Warranty

This product has passed all quality control and safety tests in accordance with all relevant laws and regulations and the highest safety standards.

Warranty Information:

- This warranty is voided if the product has been altered, misused, or has been repaired by unauthorized personnel.
- The warranty extends only to manufacturing defects and does not cover any damage resulting from mishandling of the product by the owner.
- The order number or record must be presented for any claim or repair during the warranty period.

### Warranty period

Part	Northern America	Europe	Australia	Other Countries or areas
Motor	2 years	2 years	2 years	2 years
Battery	2 years	2 years	2 years	2 years

Genkinno support:

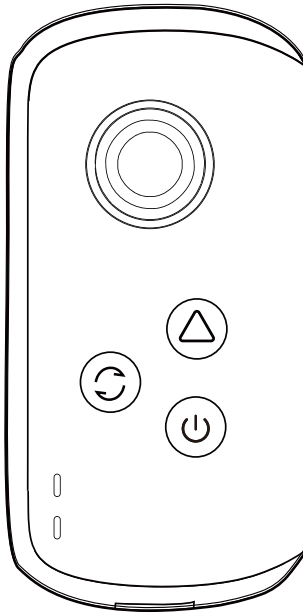
<https://genkinno.com/pages/support>

Genkinno service:

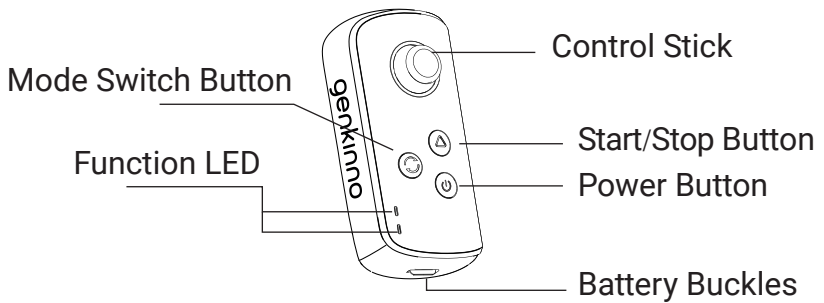
If you have any questions about this document, please contact genkinno by sending a message to [support@genkinno.com](mailto:support@genkinno.com)

Facebook: @genkinno

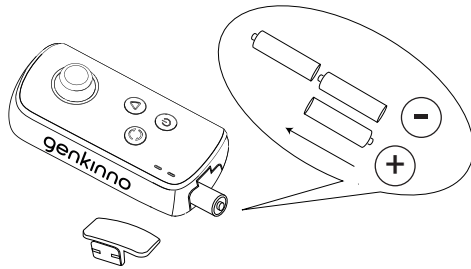
# Remote Control



## 1 Remote Control Parts

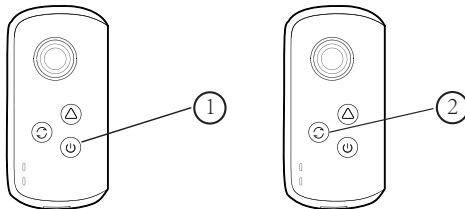


## 2 Using the Remote Control for the First Time



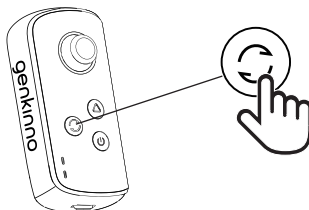
Please insert three AA batteries into the remote control as shown in the diagram, and then pair the remote control with the robotic pool cleaner.

1. Press and hold the power button until the remote control turns on.
2. Then press and hold the mode switch button for 5 seconds, wait until the green and blue lights alternate flashing.
3. Turn on the cleaner, wait to hear a "beep~," and see the remote control LED light turn constant state, indicating successful pairing.



## 3 Switching to Manual Mode

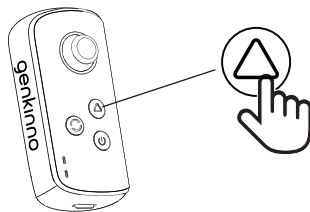
Turn on the remote control, press the Mode button. The LED indicator turns green, indicating that the cleaner is switched to manual mode.



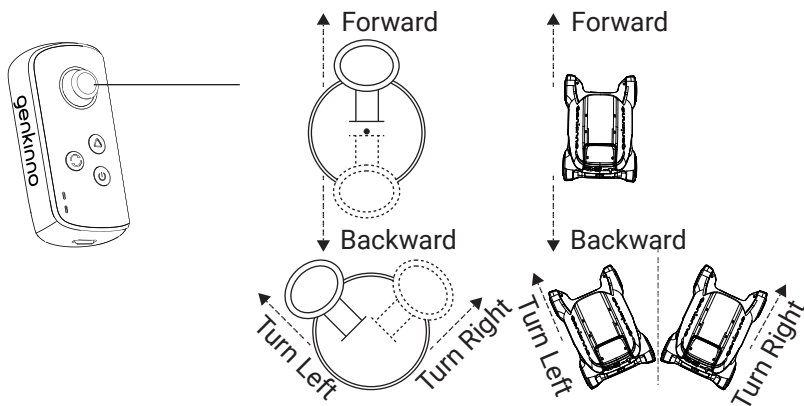


## 4 Start/Stop Control

Press the Start/Stop button to control the cleaner's start and stop. When the indicator light is green/blue constant, the cleaner is turned on. When the indicator light is flashing, the cleaner has stopped working.



## 5 Controlling the Cleaner



## 6 Remote Control Status LED

RC Status Indicator	
Blue flashing slowly	Auto Mode, Stop
Blue constant	Auto Mode, Start
Green flashing slowly	Manual Mode, Stop
Green constant	Manual Mode, Start
Red flashing	Remote control and cleaner disconnected
Red constant	Low battery
Blue and green LED alternating slow flashes	Pairing Status

Genkinno support:

<http://www.genkinno.com/support>

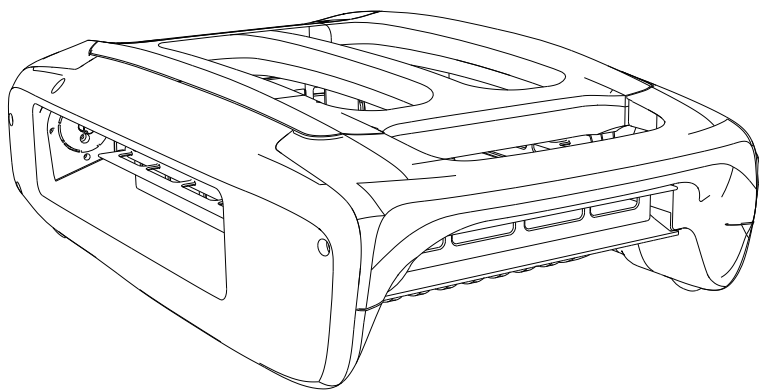
Genkinno service:

If you have any questions about this document, please contact genkinno by sending a message to [support@genkinno.com](mailto:support@genkinno.com)

Facebook: [@genkinno](#)

# genkinno

Panoramic Skimmer



User Manual

Engilsh

Thank you for choosing Genkinno Water Surface Cleaning Robot.  
To better utilize the functions of the product, please read this user manual carefully before use.

If you have any questions, contact our customer service for assistance or visit [www.genkinno.com](http://www.genkinno.com) for more information.

Genkinno Customer Service:

Email: [support@genkinno.com](mailto:support@genkinno.com)

Facebook: @genkinno



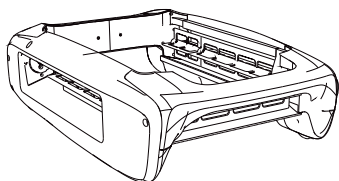
Tutorial Video

# CONTENTS

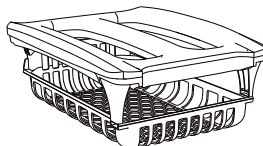
<b>1. Unboxing Checklist</b> .....	02
1.1 Checklist .....	02
1.2 Product Component Introduction .....	02
1.3 Skimmer Status Indicator .....	03
<b>2. Specs</b> .....	03
<b>3. Instructions for Use</b> .....	04
<b>4. Storage</b> .....	07
<b>5. Precautions</b> .....	07
<b>6. Troubleshooting</b> .....	08

# 1. UNBOXING CHECKLIST

## 1.1 Checklist



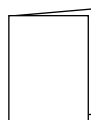
①



②



③



④

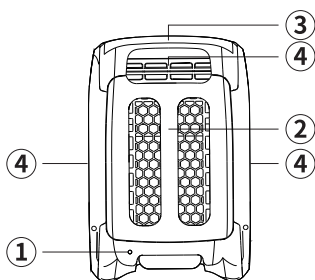
① 1 \* Panoramic Skimmer Water Surface Cleaning Robot

③ 2 \* Cable Tie

② 1 \* Water Filter Tank (filter included)

④ 1 \* User Manual

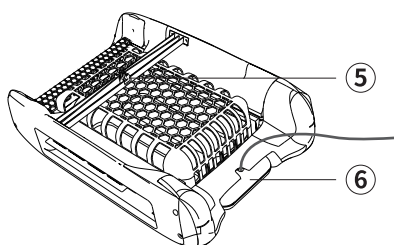
## 1.2 Product Component Introduction



① Indicator

② Trash Can Handle

③ Skimmer Handle



④ Blades

⑤ Buoy Ball Buckle Position

⑥ Buoy Installation Position

### 1.3 Skimmer Status Indicator

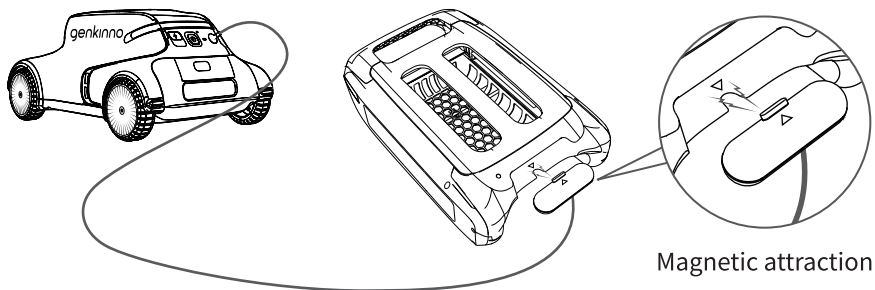
Green light solid	Skimmer powered on
Green light blinking	Propellers jammed
Green light off	Low battery

## 2. SPECS

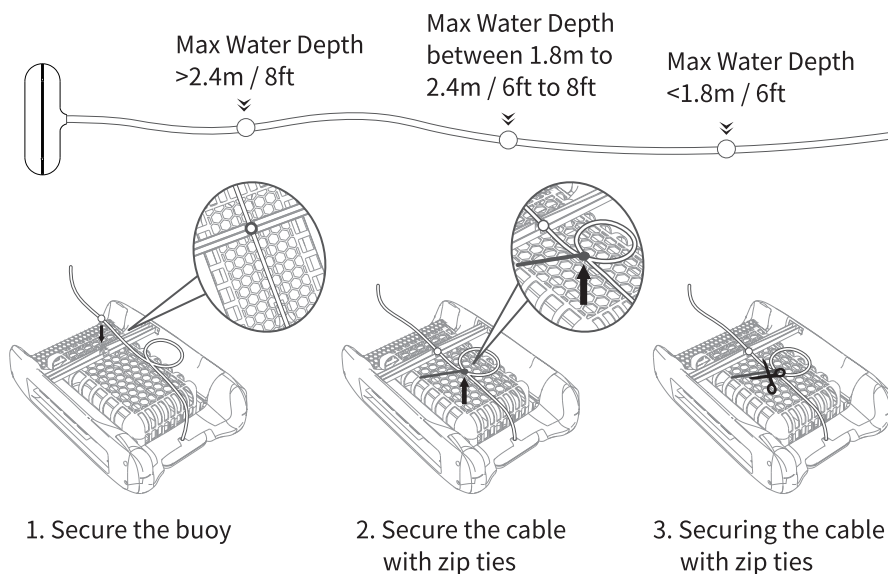
Product Size	473* 310 * 141 mm
Weight	About 950 g
Max Pool Depth	9 ft/ 2.7 m
Working Temperature	0°C~ 40°C
Pool pH Level	7.0 ~ 7.8
Storage Temperature	-20°C ~ 45°C
Cleaning Power	3 W
Volume of Water Filter Tank	2 L
Particle Size Range for Filtration	147 μm
Pool Coverage	Water surface
Cleaning Speed	Max 0.2 m/s

## 3. INSTRUCTIONS FOR USE

1. Connect to Genkinno P2 Robotic Pool Cleaner  
Before connecting, make sure the interface is dry.

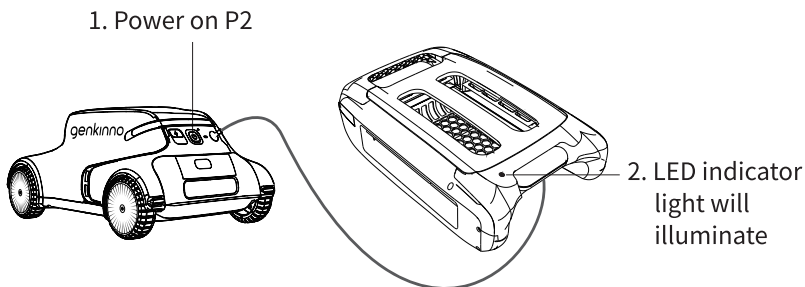


2. Adjust the length of the floating cable of the cleaning robot  
Adjust the buoyancy line to the appropriate length based on the depth of the pool to achieve better cleaning performance.

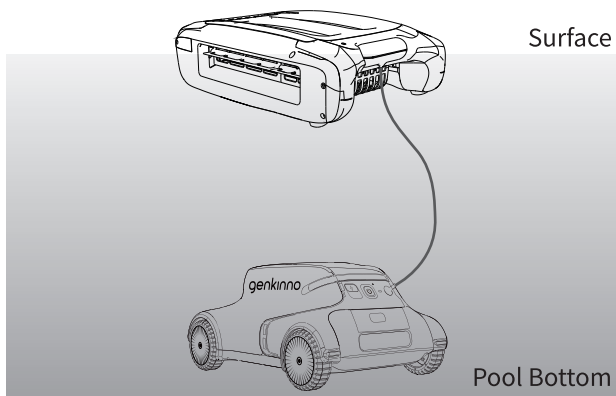




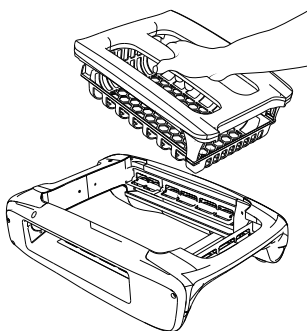
### 3. Power on the product and the LED indicator is turned on



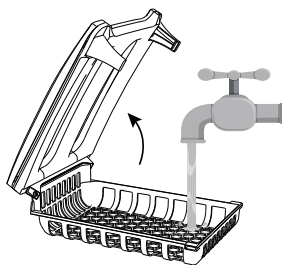
### 4. Put the product in water to clean water surface



### 5. Take out & clean the trash can

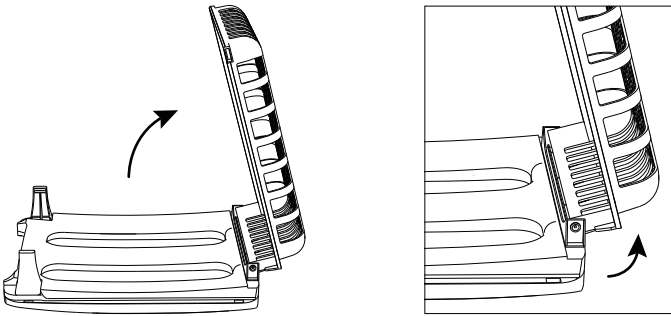


1. Remove the trash bin

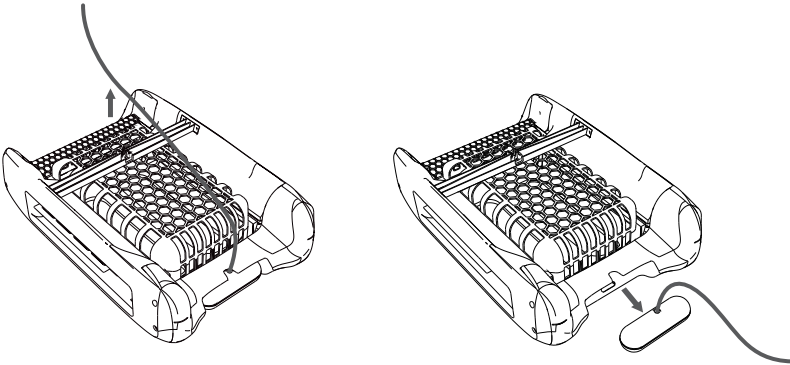


2. Rinse the filter mesh with water

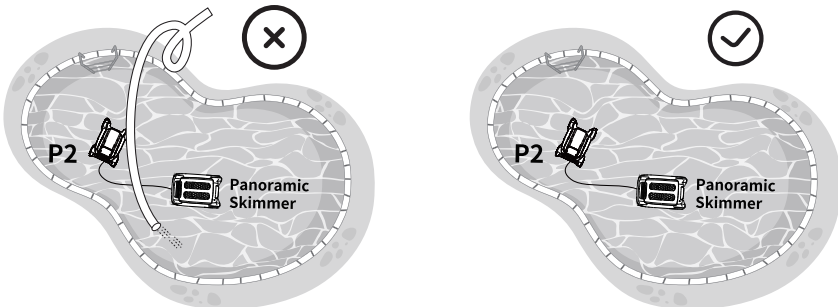
## 6. Replace the filter



## 7. Separate the product from the Robotic Pool Cleaner



**⚠** : When using the skimmer, please make sure that there are no entangled objects such as pipes on the pool surface, as the skimmer may get stuck.



## 4. STORAGE

1. Please make sure that the Skimmer Water Surface Cleaning Robot and the Robotic Pool Cleaner are separated.
2. Make sure there is no water left in the Water Surface Cleaning Robot and the product is kept dry.
3. Clean the filter and the robot thoroughly.
4. Please store the Water Surface Cleaning Robot in a sheltered environment, away from direct sunlight, rain, or frost.
5. Please store the Water Surface Cleaning Robot indoors in winter to avoid damage to the machine.

## 5. PRECAUTIONS

- It is prohibited to use accessories that are not officially recommended or sold.
- This model is only suitable for water surface cleaning.
- Children shall not ride or play with the product.
- Do not touch the propeller blades with your hands.
- Do not operate the Water Surface Cleaning Robot while there are individuals or animals in the pool.
- Only certified professionals can disassemble the sealed core kit of the Water Surface Cleaning Robot.
- Do not operate the Water Surface Cleaning Robot while the pool filter is running.
- The motor of the Water Surface Cleaning Robot is grease-lubricated inside. If it is damaged, please remove the robot from the pool immediately.
- Avoid puncturing the shell of the Water Surface Cleaning Robot with nails or other sharp objects.
- Refrain from hammering, hitting, or throwing the Water Surface Cleaning Robot.

## 6. TROUBLESHOOTING

Problem	What to Do
Buoy and Skimmer Cannot Be Suctioned	It might be that the buoy is installed in the wrong direction; try rotating the buoy or consider gripping the ball on the buoy line before attaching.
After connecting the buoy and Skimmer of genkinno P2, the Skimmer may not operate.	<p>First, make sure the Skimmer is powered on.</p> <ol style="list-style-type: none"> <li>1. If the surface green indicator light is steady, it means the connection is successful, and the surface unit will only start when the underwater robot is in automatic cleaning mode or manual mode.</li> <li>2. If the surface green indicator light doesn't come on, it indicates an abnormal connection. You should reattach the buoy or check for any foreign objects on the attachment location.</li> <li>3. If the surface green indicator light remains unresponsive after multiple reattachments, please contact customer support for assistance.</li> </ol>
During Skimmer operation, the buoy detached from the Skimmer.	Please check if the buoyancy ball on the buoy line is correctly installed on the Skimmer's buoy ball latch.
The Skimmer cannot move forward facing forward during operation.	Please check if the buoyancy ball on the buoy line is correctly installed on the Skimmer's buoy ball latch.
When the Skimmer is operating correctly, the propellers do not rotate.	Please check if the propellers and their bases are entangled or obstructed by large leaves, hair, or branches.

<p>The filter net came off while cleaning debris.</p>	<p>The filter net is a removable structure. Refer to the instruction manual for reinstallation to continue using it.</p>
<p>The coverage area on the pool surface is limited.</p>	<p>The Skimmer needs to adjust the buoyancy line for optimal coverage.</p> <ol style="list-style-type: none"><li>1. If the pool's maximum depth is between 2.4-2.7 meters/8-9 ft, secure the first buoyancy ball closest to the buoy.</li><li>2. If the pool's maximum depth is 2 meters/7 ft, secure the second buoyancy ball.</li><li>3. If the pool's maximum depth is 1.8 meters/6 ft, secure the third buoyancy ball. After that, secure and store the cable, and you are ready to use the Skimmer.</li></ol> <p>For detailed instructions, please refer to the instructional video.</p>

[www.genkinno.com](http://www.genkinno.com)

Genkinno support:  
<https://genkinno.com/pages/support>

Genkinno service:  
If you have any questions about this document, please contact genkinno by sending a message to [support@genkinno.com](mailto:support@genkinno.com)

Facebook: @genkinno

<b>EU</b>	<b>REP</b>	<b>SUCCESS COURIER SL</b> CALLE RIO TORMES NUM.1,PLANTA 1,DERECHA, OFICINA 3,Fuenlabrada, Madrid,28947 Spain <a href="mailto:succeservice2@hotmail.com">succeservice2@hotmail.com</a>
-----------	------------	--

OST-EU-20230209000031



**FR**

**BARQUETTE + ÉTUI**

**BAC DE TRI**

**FR**

**Les piles et batteries se recyclent**

À DÉPOSER EN MAGASIN OU À DÉPOSER EN DÉCHÈTERIE

Points de collecte sur [www.quefairedemesdechets.fr](http://www.quefairedemesdechets.fr)