

# Wood's AC Cortina XL

14K WIFI (WAC1401G)  
14K DUO WIFI (WAC14G)  
18K WIFI (WAC1804G)  
18K DUO WIFI (WAC1805G)

<b>GB</b>	Instructions for use	6-11
<b>SE</b>	Bruksanvisning	12-17
<b>NO</b>	Bruksanvisning	18-23
<b>DK</b>	Betjeningsvejledning	24-29
<b>FI</b>	Käyttöohjeet	30-35
<b>FR</b>	Guide d'instructions	36-41
<b>DE</b>	Bedienungsanleitung	42-47
<b>ES</b>	Manual de instrucciones	48-53
<b>NL</b>	Gebruiksaanwijzing	54-59
<b>RO</b>	Manual utilizare	60-65
<b>PL</b>	Instrukcja obsługi	66-71
<b>LT</b>	Naudojimosi instrukcija	72-77
<b>LV</b>	Lietošanas instrukcija	78-83
<b>EE</b>	Kasutusjuhend	84-89
<b>GR</b>	Οδηγίες λειτουργίας	90-95
<b>CZ</b>	Uživatelská příručka	96-101
<b>SK</b>	Používateľská príručka	102-107
<b>HU</b>	Felhasználói kézikönyv	108-113



#### SEE LATEST UPDATED USER MANUAL

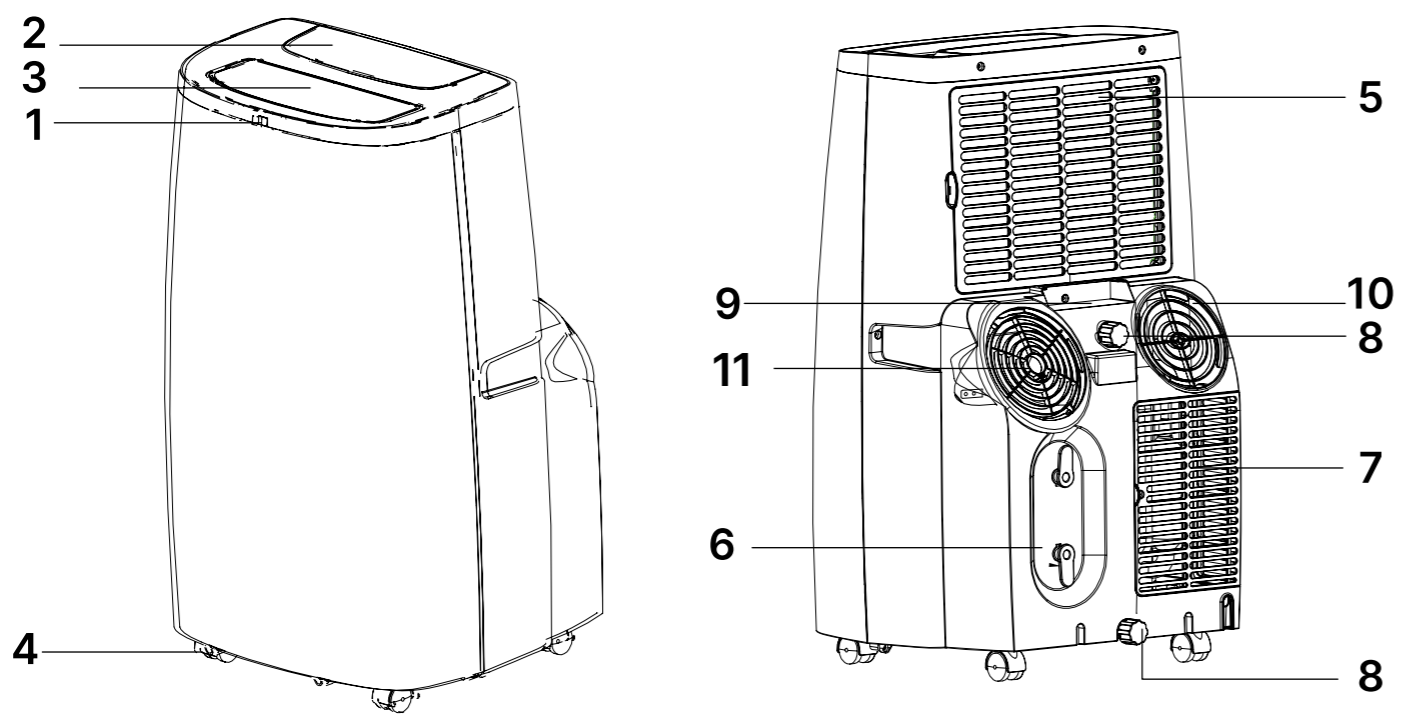
Scan the QR-code or visit [woods.se](https://woods.se)  
Revision date: 03-12-2025



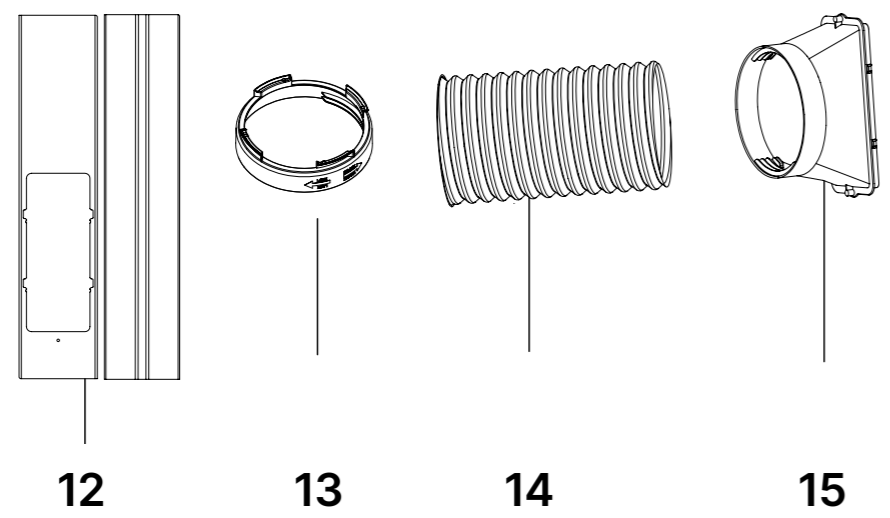
#### GET EXTENDED WARRANTY

Scan and get a 3-year Warranty by  
Registering at [warranty-woods.com](https://warranty-woods.com)

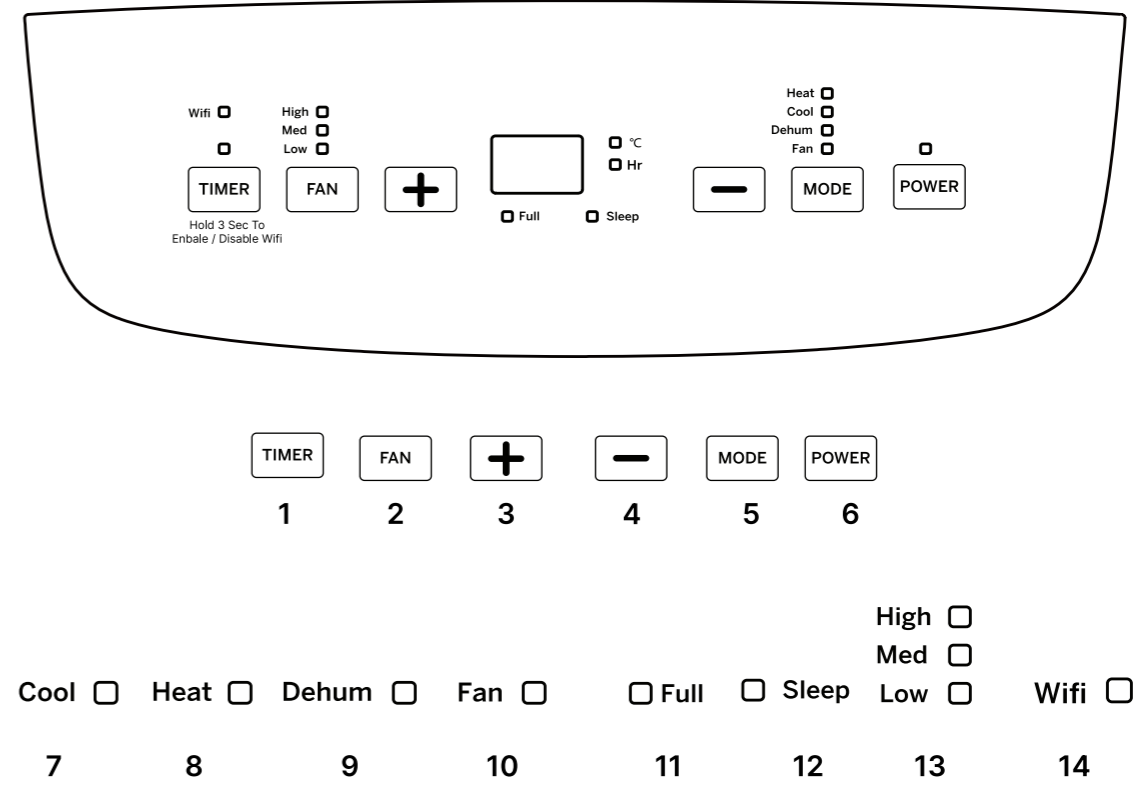
**A**



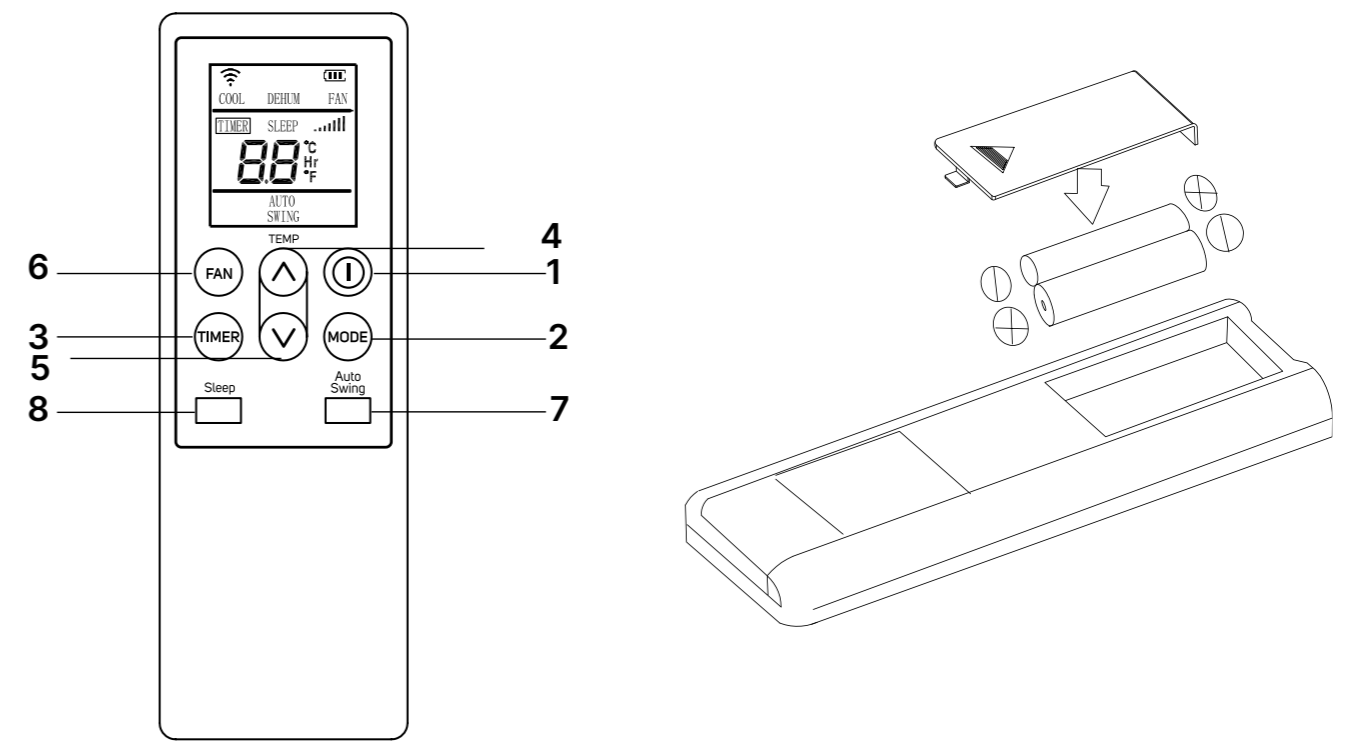
**B**

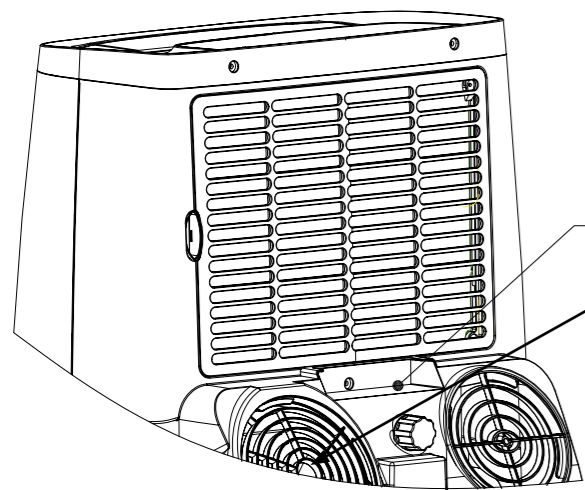
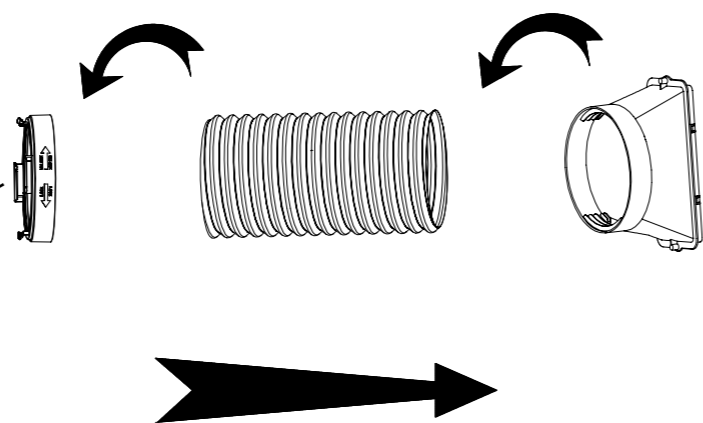
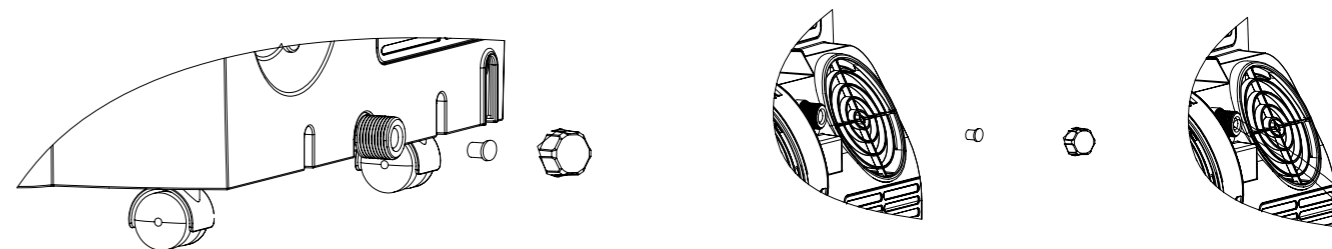
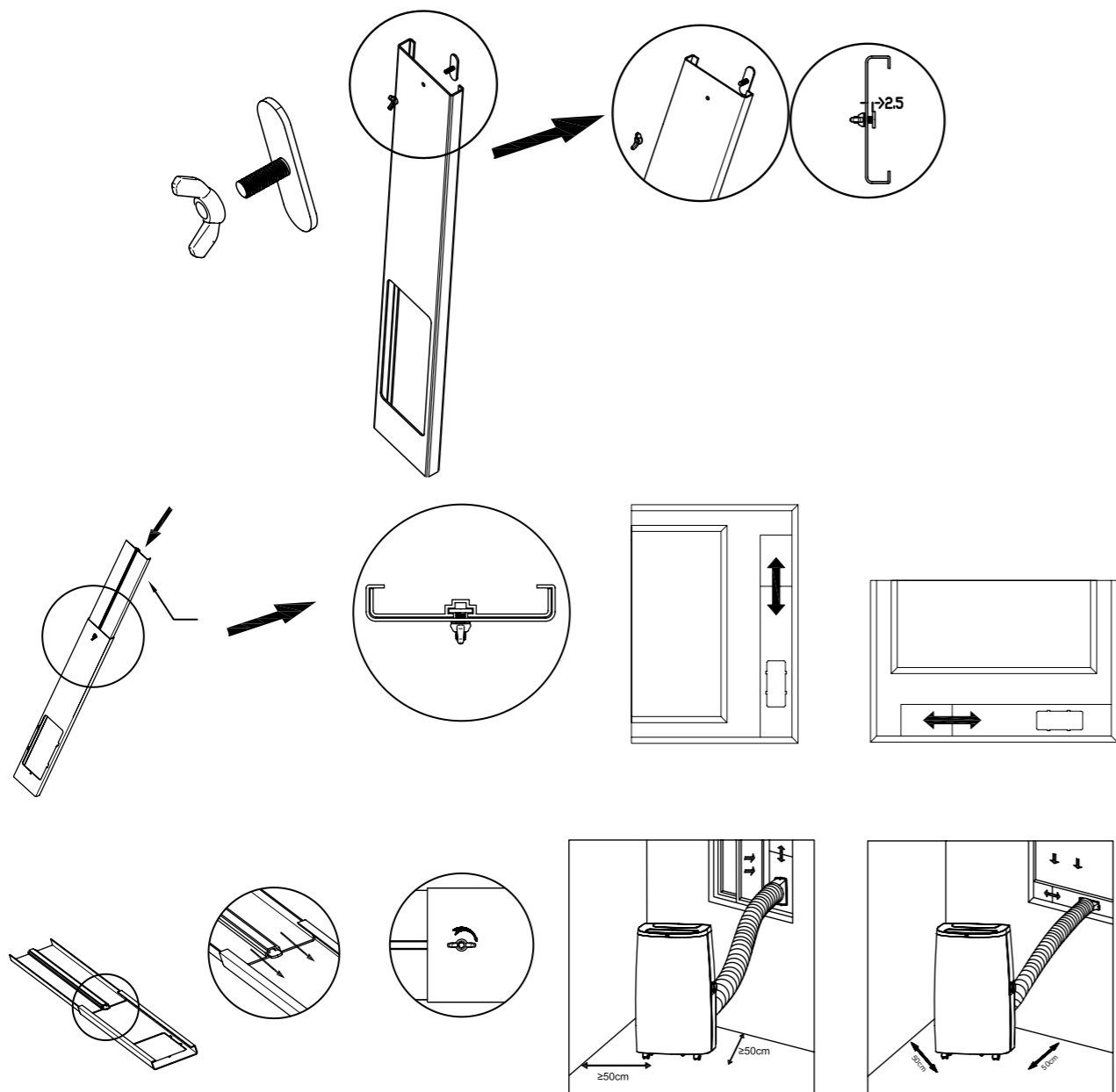
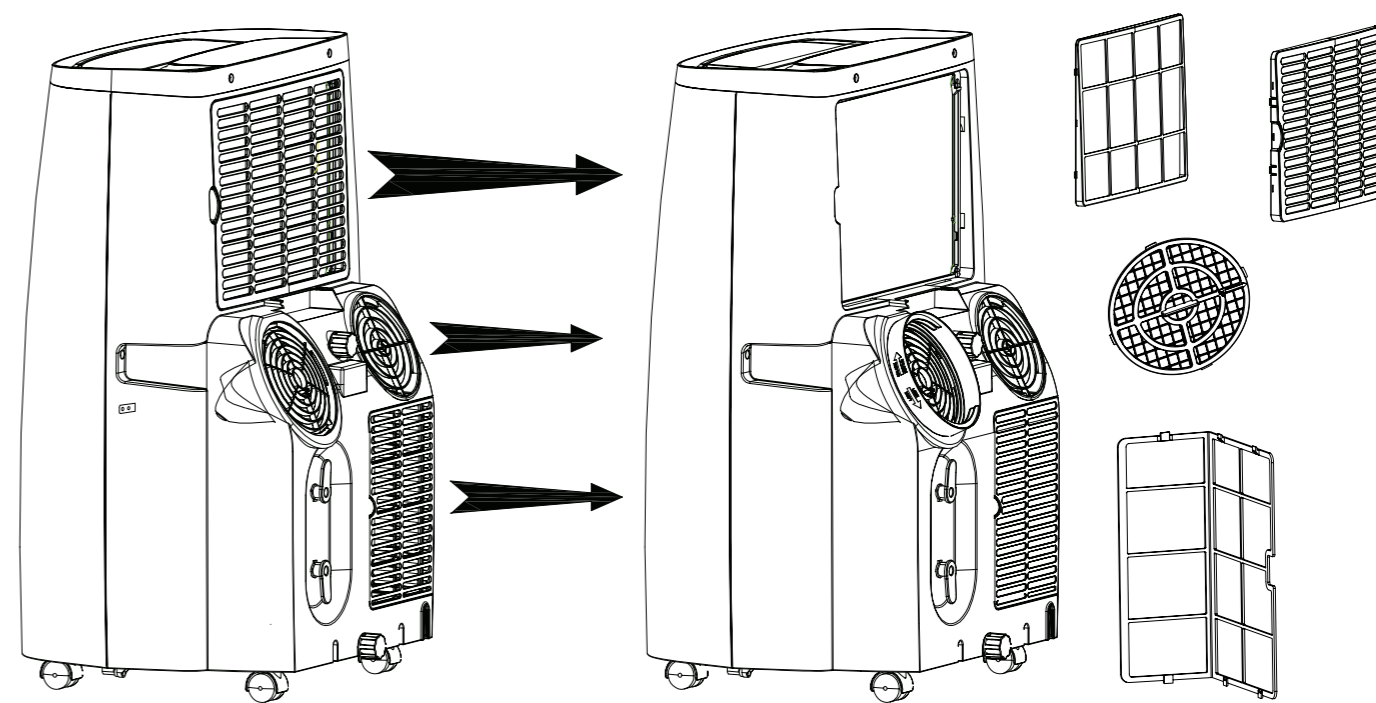


**C**



**D**



**E****F****H****G****I**



**FLAMMABLE MATERIAL.**  
This appliance contains R290/  
Propane, a flammable refrigerant.

Refer operator's manual.

Read technical manual.

Read the operator's manual.

**SAFETY INFORMATION**

Before installing and using the appliance, carefully read the supplied instructions. The manufacturer is not responsible if an incorrect installation and use cause injuries and damages. Always keep the instructions with the appliance for future reference.

**CHILDREN AND VULNERABLE PEOPLE'S SAFETY**

**WARNING**   
Risk of injury or permanent disability.

This appliance can be used by children aged eight years and above, persons with reduced physical, sensory or mental capabilities, or lack of experience and knowledge if they have been given supervision or instruction concerning the use of the appliance safely and understand the hazards involved. Do not let children play with the appliance.

Children of less than three years should be kept away unless continuously supervised.

Keep all packaging away from children. Cleaning and user maintenance shall not be done by children without supervision.

**GENERAL SAFETY**

This appliance is intended to be

used in households and similar environments such as shops, offices, and other working environments. The rating plate is located at the side or back of the appliance. Keep ventilation openings clear of obstruction.

Other than those recommended by the manufacturer, do not use mechanical devices or other means to accelerate the defrosting process. The appliance shall not be stored in a room where ignition sources are operating continuously (open flames, working gas appliance, operation electric heater, etc.). Do not pierce or burn. Be aware that refrigerants may not have an odour. Do not use water spray and steam to clean the appliance. Clean the appliance with a moist, soft cloth. Only use neutral detergents. Do not use abrasive products, abrasive cleaning pads, solvents or metal objects. If the power cord is damaged, it must be replaced by the manufacturer, its authorized Service Centre or similarly qualified persons to avoid a hazard.

**SAFETY INSTRUCTIONS**

**WARNING**   
Only a qualified person can install this appliance.

Remove all packaging material. Do not install or use a damaged appliance. The appliance shall be installed, operated and stored in a room with a floor area larger than 14 m<sup>2</sup>. Strictly follow the installation instruction supplied with the appliance. Always be careful when you move the appliance because it is heavy. Always wear safety gloves.

Make sure air can circulate around the appliance. Wait at least 4 hours before connecting the appliance to the power outlet. This is to allow the oil to flow back into the compressor. Do not install the appliance close to radiators or other heat sources. Do not install the appliance in direct sunlight.

**ELECTRICAL CONNECTION**

**WARNING**   
Risk of fire and electrical shock.

The appliance must be connected to a grounded outlet. Ensure that the electrical information on the rating label is in accordance with the power supply. If not, contact an electrician. Always use a correctly

installed shockproof socket. Do not use multi-plug adapters and extension cables. Make sure not to cause damage to the electrical components (e.g. plug, cable). Contact the authorized Service Centre or an electrician to change the electrical components. The cable must stay below the level of the plug. Connect the plug to the power socket only at the end of the installation. Make sure that there is access to the plug after the installation. Do not pull the power cable to disconnect the appliance. Always unplug the power cable from the plug only.

**USE**

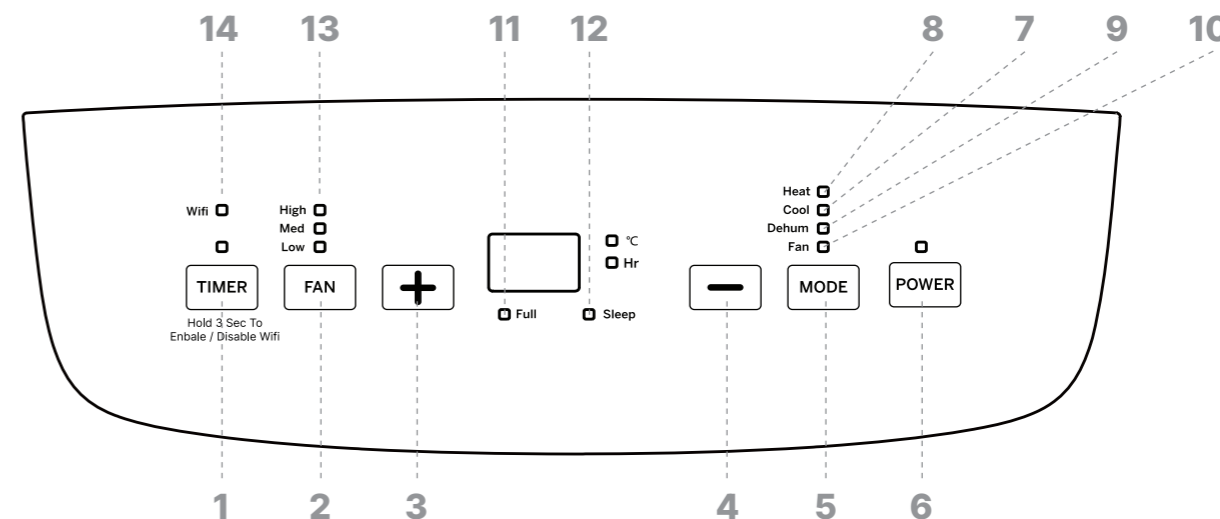
**WARNING**   
Risk of injury, burns, electrical shock or fire.

Do not change the specification of this appliance. Be careful not to cause damage to the refrigerant circuit. It contains propane (R290), a natural gas with a high level of environmental compatibility. This gas is flammable. If damage occurs to the refrigerant circuit, make sure that there are no flames and sources of ignition in the room. Ventilate the room. Do not put flammable products or wet items with flammable products near or on the appliance.

**DISPOSAL**

**WARNING**   
Risk of injury.

Disconnect the appliance from the mains supply. Cut off the mains cable and discard it. The refrigerant circuit of this appliance is ozone-friendly. Contact your local authority for information on how to discard the appliance correctly. Do not cause damage to the part of the cooling unit that is near the heat exchanger.



Thank you for your purchase and trust in Wood's. This manual introduces you to the operating modes of the AC Cortina XL.

**Cooling Mode:** Cools the room to the desired temperature. The optimal operating ambient temperature for cooling models is 17-43°C.

**Heating Mode:** Heats the room to the desired temperature. The optimal operating ambient temperature for both cooling and heating models is 5-43°C. (Note! This mode is only available on the AC model with Duo/ heating function.)

**Dehumidification Mode:** Reduces the humidity in the room.

**Fan Mode:** Circulates the air in the room without cooling.

**OPERATING INSTRUCTIONS**

**PRODUCT PARTS (REFER IMAGE A AND B)**

1. Remote control receiving window
2. Control panel
3. Air outlet
4. Wheels
5. Upper filter assembly of back panel
6. Cable winding brackets
7. Lower filter assembly of back panel
8. Drain cover
9. Remote control compartment
10. Air inlet
11. Air outlet
12. Window plate
13. Round connector of exhaust hose
14. Exhaust hose
15. Adapter to exhaust hose

**CONTROL PANEL (REFER ABOVE OR IMAGE C)**

1. Timer button
2. Fan speed button
3. Up button
4. Down button
5. Mode button
6. Power button
7. Cooling Mode indicator
8. Heating Mode indicator (NOTE! This symbol is only available on the AC model with Duo/heating function.)
9. Dehumidifying Mode indicator
10. Fan mode indicator
11. Water full indicator
12. Sleep mode indicator
13. Fan speed indicator
14. Wi-Fi indicator. (NOTE! This symbol is only available on the AC model with Wi-Fi/ Smart Home function.)

**WORKING MODES AND CONTROL PANEL FUNCTIONS (REFER IMAGE C)**

**Power button (6):** Press this key to activate the unit; a melodic sound will play, and the unit will automatically enter cooling mode with a preset temperature of 24°C. The fan will operate at a medium speed.

To deactivate the unit, press this key again, and a melodic sound will signal its shutdown.

1. When the unit is on, the LCD window will show the set temperature in Cooling Mode and Heating Mode (NOTE! The Heating symbol is only available on the AC model with Duo/Heating function) or the ambient temperature in Dehumidifying Mode, Fan Mode. The fan will start running, and the air outlet window will open automatically.

2. All parts stop working when the unit is off, and the air outlet window will close automatically.

NOTE! The fan continues to run for a short time after the Power button is pressed.

**Mode button (5):** Press the "Mode" button to cycle through the available modes for confirmation.

**Cooling Mode (7):** Cools the room to the set temperature.

**Heating Mode (8):** Heats the room to the set temperature. (NOTE! This mode is only available on the AC model with Duo/heating function.)

**Dehumidification Mode (9):** Reduces the humidity in the room.

**Fan Mode (10):** Circulates and purifies the air in the room without cooling.

**Down button (4):** Click to decrease the set temperature or adjust the downwards.

**Up button (3):** Click the button to adjust the set temperature upwards.

**Fan speed button (2):** Press the fan speed button to select the fan speed to high, medium, or low speed.

NOTE! The fan speed cannot be adjusted under the Dehumidify and Sleep modes.

**Timer (1):** Press once to activate the timer function. Set the number of hours (1-24) by pressing + or -. When the display stops flashing, the timer is set. To deactivate, press the timer button 2 times.

**FUNCTIONS WHEN COMBINING BUTTONS (REFER IMAGE C)**

**Sleep function (12):** Initiate or cancel the SLEEP function by simultaneously pressing the TIMER button (1) and the Up button (3). Please note that the fan speed is not adjustable in Sleep function.

- If the Sleep function is activated in Cooling Mode, it raises the set temperature by 1°C after 2 hours and then increases it by an additional 1°C after another 2 hours, maintaining operation at this temperature.

- If the Sleep function is activated in Heating Mode (only available on the AC model with Duo/heating function), it lowers the set temperature by 1°C after 2 hours. Then it decreases it by an additional 1°C

after another 2 hours, operating at this temperature thereafter. NOTE! Sleep function will be ineffective under Fan Mode, Dehumidification Mode.

**Auto Swing function:** Activate or deactivate Auto-Swing by simultaneously pressing the TIMER button (1) and the Fan speed button (2).

## WIFI FUNCTION (14):

(Only applicable to the AC model with WiFi/Smart Home functionality.)

Wood's



1. Download the Wood's Connect app from App Store or Google Play.

2. Register and follow the instructions. Accept all steps. (Carefully read the Privacy Policy and if you approve the agreements, tap the agree bottom to continue.)

3. Open Wood's Connect app and on the home screen, press "add device".

4. To enter pairing mode press and hold the TIMER (1) button on the unit for 3 seconds to see that the Wi-Fi icon on the display will flash rapidly.

5. When you discover the device on the screen press add. You can also choose the model manually.

6. Fill in your Wi-Fi settings and password and press next.

7. Press + to add the unit.

8. Wait until the unit is added, then press done.

To disconnect the Wi-Fi function, press the TIMER (1) button on the unit for 3 seconds.

## REMOTE CONTROL OPERATION MODES (REFER IMAGE D)

**Power (1):** Press this button to start the unit when it is energized or stop the unit when it is in operation.

**Mode button (2):** Press this button to select operation mode.

**Up button (4):** Press the up button to increase the room temperature and timer setting.

**Down button (5):** Press the down button to decrease the room temperature and timer setting.

**Fan button (6):** Press this button to select fan speed: Low, Medium, High.

**Auto Swing button (7):** Press this button to

turn on or turn off auto-swing function.

**Sleep button (8):** Press this button to select or cancel sleep mode (only effective under cooling or heating operation)

**Timer button (3):** Set AUTO-ON function in stand by state and AUTO-OFF when the unit is operating. The Time can be adjusted between 1-24 hours. To turn off the timer, press the timer button and set the timer on "0".

Before using the remote control, install the AAA batteries following these steps: (REFER IMAGE D)

1. Slide and gently remove the battery cover located on the back of the remote control.

2. Insert two new alkaline AAA batteries into the designated battery compartment, ensuring correct polarity.

3. Reattach the battery cover, ensuring the locking tab securely clicks into place.

### NOTE!

- Use alkaline batteries only. Do not use rechargeable batteries.

- Always replace both batteries with new ones; do not mix old and new ones.

- Remove the batteries from the remote control if the air conditioner will not be used for an extended period.

## REMOTE CONTROL STORAGE (REFER IMAGE E)

Insert the remote control into a built-in compartment on the back side of the unit.

NOTE! To avoid losing the remote control, please put it inside the storage place when you are not using it.

**WARNING:** In the event of battery leakage onto your skin or clothing, promptly wash the affected area thoroughly with clean water. Refrain from using the remote control if there is any evidence of battery leakage. In the case of ingesting battery liquid, immediately seek medical attention.

The chemicals present in batteries can pose risks such as burns and other health hazards.

## INSTALLATION

### BEFORE FIRST USE

Allow the unit to stand upright for 4 hours before operation.

This Air Conditioner is designed for convenient indoor relocation. Ensure the unit remains upright while moving. Place the Air Conditioner on a flat surface. Do not install or operate this air conditioner in bathrooms or other wet environments.

### IMPORTANT INFORMATION BEFORE INSTALLING AIR HOSE

During operation, maintain the hose as short and with as few bends as possible to

minimize pressure drop and capacity loss.

The exhaust hose must remain smooth to prevent overheating and potential damage to the air conditioner. The hose have a length of 280 mm-1500 mm. Avoid extending the hose or replacing it with a different hose, which may affect the operation.

### INSTALLATION OF EXHAUST HOSE ASSEMBLY AND ITS ADAPTER. (REFER IMAGE F)

1. Remove the plastic bag by extracting the exhaust hose, its connector, and adapter from the packaging.

2. Extend one end of the exhaust hose and attach the round connector by turning it in an anticlockwise direction for a minimum of three rotations.

3. Extend the other end of the exhaust hose and affix the adapter by turning it in an anticlockwise direction for at least three rotations.

4. Place the front end of the exhaust hose assembly onto the designated notch of the exhaust air outlet located on the back panel. The fasteners will securely lock the exhaust hose assembly in place.

5. Install the air exhaust hose onto the unit.

NOTE! Ensure the correct orientation of the slanted side of the adapter for easy installation of the window-seal plate.

Maintain a secure and well-positioned connection of the exhaust hose.

### INSTALLATION OF WINDOW SEAL-PLATE (REFER IMAGE G)

1. Install the rectangle end of hose assembly into the corresponding rectangle holes in window seal-plate assembly, fix it with a screw.

### NOTE!

- Slide the adapters downwards, ensuring it is securely installed.

- Confirm that the slanted panel direction aligns with the seal-plate direction.

- Make sure the hose is as straight as possible to ensure adequate ventilation.

2. Open the window halfway and insert the seal plate into the window, positioning it either vertically or horizontally.

3. Extend the seal plate parts and adjust them to match the length of the window.

Ensure both ends meet the window edges and secure it in place using screws.

NOTE! Confirm that both ends of the window-seal plate meet the window edges effectively for a proper seal.

Ensure the screws are tightened securely in the correct position.

4. Move the unit with the hose mounted in front of window and keep the unit at least 50 cm away from the walls or other objects.

### ENERGIZE THE UNIT

To power the unit, plug it in.

The unit is now ready for use!

### MAINTENANCE

NOTE! Turn off the unit and pull out the plug before maintenance.

### DRAINAGE INSTRUCTION (REFER IMAGE H)

Most of the water will be led out naturally through the exhaust hose with the hot air.

If you need to empty the tank, the unit will notify you. (REFER IMAGE C, Full indicator)

To empty the water tank: Unscrew the drain cover and unplug the water plug to allow the water to flow into the tray. NOTE:

Exercise caution to prevent leakage if the unit needs to be moved. Tilt the unit slightly backwards during draining. If the tray cannot contain all the water from the unit, promptly block the drain hole to prevent water leakage and avoid wetting the floor or carpet. Ensure the water plug and drain cover are tightly installed to prevent new condensed water from wetting the floor or carpet when the unit restarts.

Connecting a water hose for continuous drainage: Unscrew the drain cover and remove the water plug. Attach a 12 mm inner diameter water hose to the pipe on the unit. Lead the other end of the water hose to a drain.

Make sure that the water can be drained downwards.

NOTE: A drain hose must be installed when there is no water in the tray.

It is recommended not to use continuous drainage when the unit is in Cooling mode to ensure sufficient water is recycled within the unit to enhance the cooling effects of the system. Place the drain hose in an inaccessible location, ensuring it is not positioned higher than the drainage hole, and keep the drain hose straight without any bends. Ensure the drain cover and its stopper are properly secured when continuous drainage is utilized.

### MULTIPLE PROTECTION FUNCTIONS

**Automatic defrost:** The unit will automatically defrost when needed. In defrost mode, the display shows D7 and no buttons except the POWER button are active.

**Compressor protection:** The unit has a compressor protection function causing a 3-minute start delay after the unit is restarted.

**Water-full safety alarm and shut-off protection function:** When the water volume surpasses the designated alarm level within the unit's chassis, an automatic warning alert is triggered, accompanied by the illumination of the water-full icon on the LCD. In this event, it is necessary to drain the condensed water following

the instructions provided in the "Drainage Instruction" section. If the unit is not manually shut down, it will automatically return to its original operating status once the condensed water is completely drained. Alternatively, reconnect the power to restart the unit.

### SURFACE CLEANING

- Clean the unit surface with a wet, soft cloth, and do not use chemical solvents such as alcohol and gasoline to avoid any damage.

- Clean the dirty air outlet or louvres with a damp soft cloth and mild detergent.

- Any chemical solvent is prohibited from being used for unit cleaning or putting such things near the unit for a long time.

- Any thinner, alcohol-glazer or similar solvents are prohibited for unit cleaning.

### WASHABLE FILTER CLEANING (REFER IMAGE I)

It is essential to clean the filter once every two weeks to prevent the unit's performance from being impacted by dust accumulation. Immerse and wash the filter gently in warm water (approximately 40°C) mixed with a neutral cleaner. After cleaning, reinstall it back onto the unit.

Clean the lower filters: Pull out the lower filters, then remove the rear filter and clean it.

NOTE! Gently pull out the filter, prioritizing the removal of the back panel filter before the side panel filter to prevent any twisting or damage. Exercise caution not to squash the mesh and avoid hitting the mesh with sharp objects or brushes.

NOTE! Ensure that the filter is installed on the side panel before installing the filter on the back panel.

Install the filter in the opposite direction of removal.

### END-OF-SEASON STORAGE

1. Unscrew the drain cover and remove the water plug to drain the condensed water completely.

NOTE: The tilt angle of the unit must be  $\leq 30$  degrees.

2. Operate the unit in fan mode for half a day to thoroughly dry the interior and prevent mould growth.

3. Turn off the unit, unplug it, wrap the power cord around the wire-winding pillar.

4. Remove the heat exhaust hose assembly, clean it, and store it properly.

NOTE: Hold the exhaust hose assembly with both hands when removing.

5. Push aside the fasteners on the exhaust air outlet using your thumbs, then pull out the exhaust hose assembly.

6. Pack the air conditioner securely in a

soft plastic bag, place it in a dry location with appropriate dust-proof measures, and keep it out of reach of children.

7. Remove the batteries from the remote control and store them properly.

NOTE: Ensure the unit is stored in a dry environment. Safeguard all unit accessories collectively to prevent damage or deterioration.

## GUARANTEES

Two years guarantee against faults in manufacturing. Please note that the guarantee is only valid upon a purchase receipt's presentation.

SAVE YOUR RECEIPTS! Receipts will be required for any warranty claim during the period.

### GET EXTENDED WARRANTY

Get a 3-year Warranty by Registering at warranty-woods.com.

SAVE YOUR RECEIPTS! All receipts will be required for any warranty claim during the period.



**TROUBLE SHOOTING**

Please check the unit and follow the suggestions below before requesting professional service. However, never attempt to dismantle or repair the unit yourself, as it may cause harm to you and your property. If problems not listed in the table occur or recommended solutions do not work, please contact a professional service organization.

TROUBLE	CAUSE	REMEDY
The unit fails to start up.	Power supply failure.	Connect the unit to a live socket and turn it on.
	Water tank full with corresponding illuminated icon.	Drain the water stored in the unit.
	The room temperature is lower than the set temperature in Cooling Mode or higher temperature in Heating Mode.	Ensure the unit operates within the recommended temperature range. Adjust the set temperature.
Insufficient cooling.	There is direct sunlight.	Close the window curtain.
	The doors and windows are open, the room is crowded or there are other heat sources.	Close doors and windows, remove other heat sources and consider adding additional air conditioners.
	Dirty filter.	Clean or replace the filter mesh.
	Air inlet or air outlet clogged.	Remove any obstructions.
High noise level.	The unit is being placed at uneven surface.	Put the unit at a flat and firm place (may reduce noise)
The compressor does not work.	Initiation of overheat protection.	Wait until the temperature decreases, the unit will restart automatically
The remote control does not work.	Distance between unit and remote control too long.	Bring the remote control close to the air-conditioner and ensure air at signal receptor on unit.
	Remote control not aimed at signal receptor on unit.	
	Batteries depleted.	Replace the batteries
"D7 or E4" code displays.	Anti-freeze protection.	Functions will restore automatically once anti-freeze protection is over.
"FL" code displays.	Water tank in chassis is full.	Drain the condensate and re-start the unit.

**TECHNICAL SPECIFICATIONS**

WOOD'S MODEL NO.	CORTINA XL 14K WIFI	CORTINA XL 14K DUO WIFI	CORTINA XL 18K WIFI	CORTINA XL 18K DUO WIFI
Cooling capacity	3900W	3900W	5000W	5000W
Heating capacity	N/A	3500W	N/A	4000W
Power consumption (Cooling)	1490W	1490W	1750W	1750W
Power consumption (Heating)	N/A	1350W	N/A	1500W
Airflow	400m <sup>3</sup> /h	400m <sup>3</sup> /h	480m <sup>3</sup> /h	480m <sup>3</sup> /h
Energy class	A	A	A	A
Dehumidification	38L/D	38L/D	70L/D	70L/D
Temperature setting	17-30°C	17-30°C	17-30°C	17-30°C
Working temperature	17-43°C	5-43°C	17-43°C	5-43°C
EER in cooling mode	2,6	2,6	2,6	2,6
Hose lengths	1.5M	1.5M	1.5M	1.5M
Refrigerant gas	R290/285g	R290/285g	R290/295g	R290/295g
Sound level in Cooling mode (LWA) (dB(A))	60-64 dB	60-64 dB	60-64 dB	60-64 dB
Sound level in Cooling mode (LPA) (dB(A))	48-53 dB	48-53 dB	48-53 dB	48-53 dB
Net Weight	31.5kg	33kg	27.3kg	28.3kg
Device Dimensions (H×W×D)	770×440×410mm	770×440×410mm	770×440×410mm	770×440×410mm

**Technical changes and improvements may occur. All values are approximate and may vary depending on external circumstances such as temperature, ventilation and humidity.**



**Note: Environmental Protection and Disposal**

- Consumers are legally obligated to properly dispose of electronic devices, lamps, and batteries at the end of their lifespan.
- They can be returned free of charge at designated public collection points or through retailers.
- The deletion of personal data is the consumer's responsibility.
- Light bulbs and batteries that can be safely removed and are not permanently installed must be separated for separate disposal.
- The details of legally compliant disposal are governed by regional legislation.
- The symbol of a crossed-out waste bin indicates that electronic devices and batteries must never be disposed of in household waste after their lifespan.
- Symbols placed below the waste bin indicate the possible presence of certain substances (lead = Pb, mercury = Hg, cadmium = Cd).
- This separation is necessary because batteries and electronic devices contain both valuable resources and substances that are harmful to humans and the environment.
- By recycling, collecting, and reusing batteries and suitable electronic devices, you contribute to the preservation and protection of the environment and human health.

**BRÄNNBART ÄMNE.**

Denna maskin innehåller R290/Propan – ett brännbart köldmedium.



Se bruksanvisning.



Läs serviceinstruktion.



Läs bruksanvisning.

**SÄKERHETSINFORMATION**

Läs den medföljande bruksanvisningen noggrant innan installation och användning av produkten. Tillverkaren är ej ansvarig för person- och egendomsskador som uppstår på grund av felaktig installation eller användning. Spara bruksanvisningen för framtida behov.

**SÄKERHET FÖR BARN OCH FUNKTIONSNEDSATTA****VARNING**

Risk för skador och permanent invaliditet.

Denna produkt kan användas av barn från 8 års ålder och uppåt och av personer med nedsatt fysisk, sensorisk eller mental förmåga samt personer med bristande erfarenhet och kunskap, om de övervakas eller instrueras beträffande hur produkten används på ett säkert sätt och förstår de risker som är förknippade med användningen. Låt inte barn leka med produkten.

Barn under 3 år ska inte vistas i närheten av produkten utan ständig uppsikt.

Håll förpackningsmaterial utom räckhåll för barn. Rengöring och användarunderhåll ska inte utföras av barn utan tillsyn.

**ALLMÄN SÄKERHET**

Denna apparat är avsedd att användas i hushåll och liknande miljöer såsom butiker, kontor och andra arbetsmiljöer. Typskylten är placerad på apparatens sida eller baksida. Håll ventilationsöppningarna fria från hinder.

Använd ej andra metoder för avfrostning eller rengöring än de som rekommenderas av tillverkaren. Produkten ska inte förvaras i ett rum där kontinuerligt använda tändkällor finns (till exempel; öppen eld, gasvärmare eller elektriska värmare). Kylkretsen får ej punkteras eller utsättas för öppen låga. Köldmediet kan vara luktlöst. Spraya inte vatten eller ånga på produkten för att rengöra den. Använd en fuktad mjuk trasa vid rengöring tillsammans med rengöringsmedel. Undvik att använda slipande medel eller metallföremål. Om nätsladden är skadad måste den bytas av tillverkaren eller, en av tillverkaren auktoriserad verkstad eller liknande kvalificerad person för att undvika framkallande av fara.

**SÄKERHETSINSTRUKTIONER****VARNING**

Endast kvalificerade personer får installera denna produkt.

Avlägsna allt förpackningsmaterial. Installera eller använd inte en skadad produkt. Produkten ska installeras, användas och förvaras i ett rum med en golvyta större än 14 m<sup>2</sup>. Följ den bifogade installationsanvisningen noga. Iakttag alltid försiktighet om produkten ska flyttas eftersom den är tung. Använd alltid skyddshandskar.

Se till att luft kan cirkulera runt produkten. Vänta minst 4 timmar innan produkten ansluts till nätspanning i syfte att låta kompressorns smörjmedel rinna tillbaka till kompressorn. Installera inte produkten i närheten av radiatorer eller andra värmekällor. Installera inte produkten i direkt solljus.

**ELEKTRISK ANSLUTNING****VARNING**

Risk för brand och elektriska stötar.

Produkten måste anslutas till ett jordat eluttag. Kontrollera att märkskyltens elektriska information överensstämmer med nätspänningskällan. Om så inte är fallet, kontakta en elektriker. Använd

alltid ett korrekt installerat stötsäkert och jordat eluttag. Använd inte grenuttag eller förlängningsladdar. Vid skadad anslutningsladd (t.ex. stickpropp eller nätsladd) kontakta en av tillverkaren auktoriserad verkstad eller en elektriker om en elektrisk komponent behöver bytas. Nätsladden ska befinna sig nedanför stickproppen efter installation. Anslut nätsladden sist i installationen. Tillse att nätsladdens stickpropp är åtkomlig efter installationen. Dra inte i nätsladden för att koppla loss produkten från eluttaget. Drag alltid i stickproppen.

**ANVÄNDNING****VARNING**

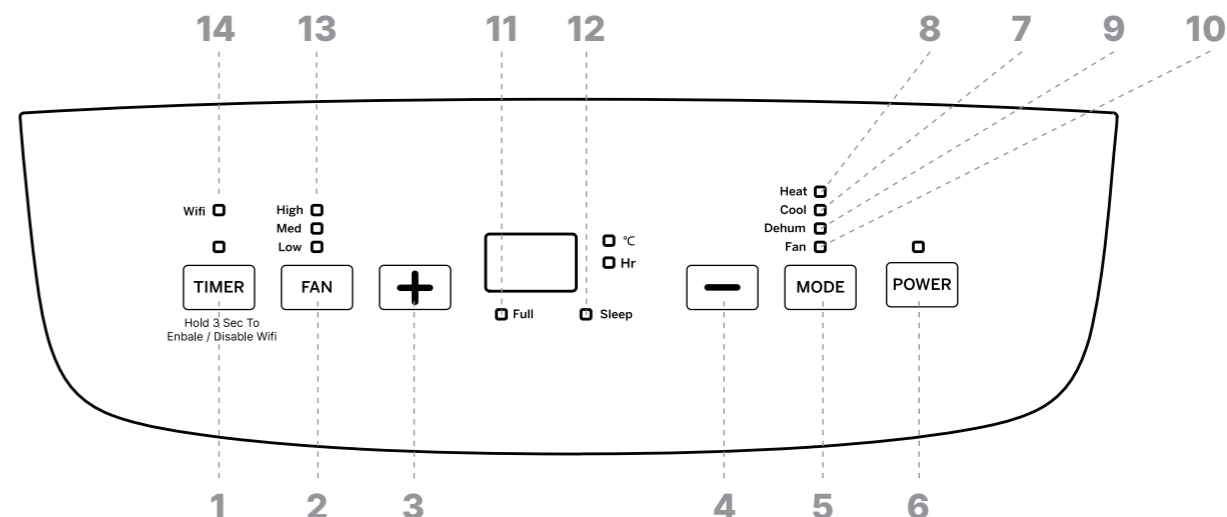
Risk för personskador, elektriska stötar eller brand.

Risk för personskador, elektriska stötar eller brand. Produktens specifikation får inte ändras. Iakttag försiktighet för att inte skada produkten kylkrets. Produkten innehåller propan (R290), ett naturligt köldmedel med låg miljöpåverkan. Köldmediegasen är brandfarlig. Om kylkretsen skadas tillse att öppen låga eller andra tändkällor inte finns i rummet. Vädra utrymmet. Placera inte brännbara ämnen eller föremål dränkta i brännbara ämnen i närheten av, eller på produkten.

**AVYTTRING****VARNING**

Risk för skador.

Koppla loss produkten från eluttaget. Klipp av nätsladden nära produkten och kassera den. Köldmediet i kylkretsen på denna produkt är miljövänligt. Kontakta de lokala myndigheterna för information angående korrekt avyttring av produkten. Skada inte kylkretsen närmast förångaren då kylmedia kan läcka ut.



Tack för ditt köp och för ditt förtroende för Wood's. Den här bruksanvisningen presenterar AC Cortina XL:s olika driftlägen och hur du köter den.

**Kylningsläge:** Kylar rummet till önskad temperatur. Den optimala omgivningstemperaturen för kylmodeller är 17-43°C.

**Uppvärmningsläge:** Värmer upp rummet till önskad temperatur. Den optimala omgivningstemperaturen för både kyl- och värmemodellerna är 5-43°C. (Obs! Detta läge är endast tillgängligt på AC-modellen med Duo/värmefunktion).

**Avfuktningläge:** Sänker luftfuktigheten i rummet.

**Fläktläge:** Cirkulerar luften i rummet utan att kyla.

**BRUKSANVISNING****PRODUKTDELAR (SE BILD A OCH B)**

1. Fönster för mottagning av fjärrkontroll
2. Kontrollpanel
3. Luftutlopp
4. Hjul
5. Övre filterenhet på bakpanelen
6. Fästen för kabellindning
7. Nedre filterenhet på bakpanelen
8. Tömningsskydd
9. Fack för fjärrkontroll
10. Luftintag
11. Luftutlopp
12. Fönsterkit
13. Rund anslutning för frånluftssläng
14. Frånluftssläng
15. Adapter till frånluftssläng

**KONTROLLPANEL (SE OVAN ELLER BILD C)**

1. Timer-knapp
2. Knapp för fläkthastighet
3. Upp-knappen
4. Nedåtknapp
5. Lägesknapp
6. PÅ/AV-knapp
7. Indikator för kylningsläge
8. Indikator för uppvärmningsläge (OBS! Denna symbol finns endast på AC-modeller med Duo/uppvärmningsfunktion).
9. Indikator för avfuktningläge
10. Indikator för fläktläge
11. Indikator för fullt vatten
12. Indikator för viloläge
13. Indikator för fläkthastighet

**ARBETSLÄGEN OCH MANÖVERPANELENS FUNKTIONER (SE BILD C)**

**PÅ/AV-knapp (6):** Tryck på denna knapp för att aktivera enheten; ett melodiskt ljud spelas upp och enheten går automatiskt in i kylningsläge med en förinställd temperatur på 24°C. Fläkten arbetar med medelhög hastighet.

För att stänga av enheten, tryck på denna knapp igen och ett melodiskt ljud signalerar att enheten är avstängd.

1. När enheten är påslagen visar LCD-fönstret den inställda temperaturen i kylsläge och värmeläge (OBS! Värmesymbolen finns endast på AC-modeller med Duo/Heating-funktion) eller omgivningstemperaturen i avfuktningläge och fläktläge. Fläkten börjar gå och luftutsläppsfönstret öppnas automatiskt.

2. Alla delar slutar fungera när enheten är avstängd och luftutsläppsfönstret stängs automatiskt.

OBS! Fläkten fortsätter gå en kort stund efter maskinen stängts av.

**Lägesknapp (5):** Tryck på knappen "Mode" för att bläddra igenom de tillgängliga lägena för bekräftelse.

**Kylningsläge (7):** Kylar rummet till den inställda temperaturen.

**Uppvärmningsläge (8):** Värmer upp rummet till den inställda temperaturen. (OBS! Detta läge är endast tillgängligt på AC-modellen med Duo/heating-funktion).

**Avfuktningläge (9):** Sänker luftfuktigheten i rummet.

**Fläktläge (10):** Cirkulerar och renar luften i rummet utan att kyla.

**Nedåtknapp (4):** Klicka på knappen för att justera den inställda temperaturen nedåt

**Knapp Upp (3):** Klicka på knappen för att justera den inställda temperaturen uppåt.

**Knapp för fläkthastighet (2):** Tryck på fläkthastighetsknappen för att välja hög, medelhög eller låg fläkthastighet.

OBS! Fläkthastigheten kan inte justeras i lägena Dehumidify och Sleep.

**Timer (1):** Tryck en gång för att aktivera timerfunktionen. Ställ in antal timmar (1-24) genom att trycka på + eller -. När displayen slutar blinka är timern satt. För att avaktivera tryck 2 gånger på timerknappen.

**FUNKTIONER VID KOMBINATION AV KNAPPAR (SE BILD C)**

**Sömnfunktion (12):** Starta eller avbryt SLEEP-funktionen genom att samtidigt trycka på TIMER-knappen (1) och Up-knappen (3). Observera att fläkthastigheten inte kan justeras i Sleep-funktionen.

- Om Sleep-funktionen aktiveras i kylningsläget höjs den inställda temperaturen med 1°C efter 2 timmar och sedan med ytterligare 1°C efter ytterligare 2 timmar, så att driften bibehålls vid denna temperatur.

- Om Sleep-funktionen aktiveras i uppvärmningsläget (endast

tillgängligt på AC-modellen med Duo/ uppvärmningsfunktion) sänks den inställda temperaturen med 1°C efter 2 timmar. Därefter sänks den med ytterligare 1°C efter ytterligare 2 timmar och arbetar därefter med denna temperatur. OBS! Sömnfunktionen fungerar inte i fläkkläge eller avfuktningläge.

**Auto Swing-funktion:** Aktivera eller avaktivera Auto-Swing genom att samtidigt trycka på TIMER-knappen (1) och fläkthastighetsknappen (2).

#### WIFI-FUNKTION (14):

(Gäller endast AC-modellen med WiFi/Smart Home-funktion).

Wood's



1. Ladda ner Wood's Connect-appen från App Store eller Google Play.

2. Registrera dig och följ instruktionerna. Acceptera alla steg. (Läs noga igenom sekretesspolicy och om du godkänner avtalen trycker du på godkänn längst ner för att fortsätta).

3. Öppna Wood's Connect-appen och tryck på "lägg till enhet" på startskärmen.

4. För att aktivera parkopplingsläget, tryck och håll in TIMER (1)-knappen på enheten i 3 sekunder för att se att Wi-Fi-ikonen på displayen blinkar snabbt.

5. När du upptäcker enheten på skärmen trycker du på add. Du kan också välja modell manuellt.

6. Fyll i dina Wi-Fi-inställningar och lösenord och tryck på Nästa.

7. Tryck på + för att lägga till enheten.

8. Vänta tills enheten är tillagd och tryck sedan på done.

För att koppla bort Wi-Fi-funktionen, tryck på TIMER (1)-knappen på enheten i 3 sekunder.

#### FJÄRRKONTROLLENS DRIFTLÄGEN (SE BILD D)

**Ström (1):** Tryck på denna knapp för att starta enheten när den är strömförsörjd eller stoppa enheten när den är i drift.

**Lägesknapp (2):** Tryck på denna knapp för att välja driftläge.

**Uppknapp (4):** Tryck på upp-knappen för att öka rumstemperaturen och timerinställningen.

**Nedåtknapp (5):** Tryck på ned-knappen för att sänka rumstemperaturen och timerinställningen.

**Fläktnapp (6):** Tryck på denna knapp för att välja fläkthastighet: Låg, medel, hög.

**Auto Swing-knapp (7):** Tryck på denna knapp för att aktivera eller inaktivera auto-swing-funktionen.

**Knapp för viloläge (8):** Tryck på denna knapp för att välja eller avbryta viloläget (gäller endast vid kyl- eller värmedrift)

**Timer-knapp (3):** Ställ in AUTO-ON-funktionen i standby-läge och AUTO-OFF när enheten är i drift. Tiden kan ställas in mellan 1-24 timmar. För att stänga av timern, tryck på timerknappen och ställ in timern på "0".

Innan du använder fjärrkontrollen ska du sätta i AAA-batterierna enligt följande steg: (SE BILD D)

1. Skjut och ta försiktigt bort batteriluckan som sitter på baksidan av fjärrkontrollen.

2. Sätt i två nya alkaliska AAA-batterier i det avsedda batterifacket och se till att polariteten är korrekt.

3. Sätt tillbaka batteriluckan och se till att låsfliken klickar fast ordentligt.

OBS!

- Använd endast alkaliska batterier. Använd inte uppladdningsbara batterier.

- Byt alltid ut båda batterierna mot nya; blanda inte gamla och nya batterier.

- Ta ur batterierna ur fjärrkontrollen om luftkonditioneringen inte ska användas under en längre tid.

#### FÖRVARING AV FJÄRRKONTROLL (SE BILD E)

Sätt in fjärrkontrollen i det inbyggda facket på enhetens baksida.

OBS! För att undvika att tappa bort fjärrkontrollen ska du lägga den i förvaringsutrymme när du inte använder den.

WARNING: Om batteriet skulle läcka ut på huden eller kläderna ska du omedelbart tvätta det berörda området noggrant med rent vatten. Avstå från att använda fjärrkontrollen om det finns tecken på batteriläckage. Vid förtäring av batterivätska, uppsök omedelbart läkare.

De kemikalier som finns i batterier kan medföra risker som brännskador och andra hälsorisker.

## INSTALLATION

### FÖRE FÖRSTA ANVÄNDNING

Låt enheten stå upprätt i 4 timmar innan den tas i drift.

Denna luftkonditioneringsapparat är konstruerad för bekväm flyttning inomhus. Se till att enheten står upprätt när du flyttar den. Placera luftkonditioneringsanläggningen på en plan yta. Installera eller använd inte luftkonditioneringen i badrum eller andra våta miljöer.

### VIKTIG INFORMATION FÖRE INSTALLATION AV LUFTSLANG

Under drift ska slangen vara så kort och ha så få böjar som möjligt för att minimera tryckfall och kapacitetsförluster.

Frånluftsslangen måste vara slät för att förhindra överhettning och eventuella skador på luftkonditioneringsanläggningen. Slangen har en längd på 280 mm-1500 mm. Undvik att förlänga slangen eller byta ut den mot en annan slang, eftersom det kan påverka driften.

### INSTALLATION AV FRÅNLUFTSSLANG OCH DESS ADAPTER. (SE BILD F)

1. Avlägsna plastpåsen genom att dra ut frånluftsslangen, dess anslutning och adapter ur förpackningen.

2. Förläng ena änden av frånluftsslangen och montera den runda anslutningen genom att vrida den moturs i minst tre varv.

3. Förläng frånluftsslangens andra ände och sätt fast adaptern genom att vrida den moturs i minst tre varv.

4. Placera den främre änden av frånluftsslangen i det avsedda skåran på frånluftsutloppet på bakpanelen. Fästordningarna låser fast frånluftsslangen på ett säkert sätt.

5. Montera lufttutsläppsslangen på enheten.

OBS! Se till att den lutande sidan av adaptern är rätt orienterad för att underlätta monteringen av fönsterkitplåten.

Se till att frånluftsslangens anslutning är säker och väl placerad.

### MONTERING AV FÖNSTERTÄTNINGSPLATTA (SE BILD G)

1. Montera slangens rektangulära ände i motsvarande rektangulära håll i fönstrets fönsterkitplattan och fäst den med en skruv.

OBS!

- Skjut adaptrarna nedåt och se till att de sitter ordentligt fast.

- Kontrollera att den snedställda panelens riktning är i linje med fönsterkitplattans riktning.

- Se till att slangen är så rak som möjligt för att säkerställa tillräcklig ventilation.

2. Öppna fönstret halvvägs och sätt in fönsterkitplattan i fönstret och placera den antingen vertikalt eller horisontellt.

3. Förläng fönsterkitplattans delar och justera dem så att de passar fönstrets längd.

Se till att båda ändarna möter fönsterkanterna och fäst dem med skruvar.

OBS! Kontrollera att båda ändarna av fönsterkitplattan möter fönsterkanterna ordentligt för att få en korrekt tätning.

Se till att skruvarna är ordentligt åtdragna i rätt läge.

4. Flytta enheten med slangen monterad

framför fönstret och håll enheten på minst 50 cm avstånd från väggar eller andra föremål.

### STRÖMFÖRSÖRJA ENHETEN

Anslut enheten till elnätet genom att koppla in den.

Enheten är nu klar för användning!

### UNDERHÅLL

OBS! Stäng av enheten och dra ut stickkontakten före underhåll.

### DRÄNERINGSANVISNING (SE BILD H)

Det mesta av vattnet kommer att ledas ut naturligt genom frånluftsslangen med den varma luften.

Om du behöver tömma tanken kommer enheten att meddela dig detta. (REFERENS BILD C, Full indikator)

För att tömma vattentanken: Skruva loss det nedre dräneringslocket och dra ut vattenpluggen så att vattnet kan rinna ner i tråget. OBS!

laktta försiktighet för att förhindra läckage om enheten behöver flyttas. Luta enheten något bakåt under tömningen. Om tråget inte kan ta emot allt vatten från enheten ska du omedelbart blockera dräneringshålet för att förhindra vattenläckage och undvika att golvet eller mattan blir våt. Se till att vattenpluggen och dräneringslocket är ordentligt installerade för att förhindra att nytt kondensvatten blöter golvet eller mattan när enheten startas om.

Anslut en vattenslang för kontinuerlig dränering: Skruva loss dräneringslocket och ta bort vattenpluggen. Anslut en vattenslang med innerdiameter 12 mm till röret på enheten. Led vattenslangens andra ände till ett avlopp.

Se till att vattnet kan rinna av nedåt.

OBS: En dräneringsslang måste installeras när det inte finns något vatten i tråget.

Vi rekommenderar att du inte använder kontinuerlig dränering när enheten är i kylningsläge för att säkerställa att tillräckligt med vatten återvinns i enheten för att förbättra systemets kylningseffekter. Placera dräneringsslangen på en oåtkomlig plats, se till att den inte är placerad högre än dräneringshålet, och håll dräneringsslangen rak utan några böjar. Se till att dräneringslocket och dess propp är ordentligt fastsatta när kontinuerlig dränering används.

### FLERA SKYDDSFUNKTIONER

Automatisk avfrostning: Enheten avfrostar automatiskt när det behövs. I avfrostningsläge visas D7 på displayen och inga knappar utom POWER-knappen är aktiva.

Kompressorskydd: Enheten har en kompressorskyddsfunktion som orsakar en startfördröjning på 3 minuter efter att

enheten har startats om.

Säkerhetslarm vid vattenfyllning och avstängningsfunktion: När vattenvolymen överstiger den angivna larmnivån i enhetens chassi utlöses ett automatiskt varningslarm samtidigt som ikonen för fullt vatten tänds på LCD-skärmen. I detta fall är det nödvändigt att tömma ut kondensvattnet enligt anvisningarna i avsnittet "Tömningsanvisningar". Om enheten inte stängs av manuellt kommer den automatiskt att återgå till sitt ursprungliga driftläge när kondensvattnet har tömts ut helt och hållet. Alternativt kan du återansluta strömmen för att starta om enheten.

### YTRENGÖRING

- Rengör enhetens yta med en våt, mjuk trasa och använd inte kemiska lösningsmedel som alkohol eller bensin för att undvika skador.

- Rengör det smutsiga luftutloppet eller lamellerna med en fuktig, mjuk trasa och mild rengöringsmedel.

- Alla kemiska lösningsmedel får inte användas för rengöring av enheten eller placeras i närheten av enheten under en längre tid.

- Det är förbjudet att använda thinner, alkoholhaltigt rengöringsmedel eller liknande lösningsmedel vid rengöring av enheten.

### RENGÖRING AV TVÄTTBART FILTER (SE BILD I)

Det är viktigt att rengöra filtren en gång varannan vecka för att förhindra att enhetens prestanda påverkas av dammansamlingar. Doppa och tvätta filtren försiktigt i varmt vatten (ca 40°C) blandat med ett neutralt rengöringsmedel. Sätt tillbaka filtret i enheten efter rengöringen.

Rengör de nedre filtren: Dra ut de nedre filtren, ta sedan bort det bakre filtret och rengör det.

Dra försiktigt ut filtret och prioritera borttagningen av filtret på bakpanelen före filtret på sidopanelen för att förhindra vridning eller skada. Var försiktig så att du inte krossar nätet och undvik att träffa nätet med vassa föremål eller borstar.

OBS! Se till att filtret är monterat på sidopanelen innan du monterar filtret på bakpanelen.

Montera filtret i motsatt riktning mot borttagningen.

### FÖRVARING VID SÄSONGENS SLUT

1. Skruva loss dräneringslocket och ta bort vattenpluggen för att tömma kondensvattnet helt.

OBS: Enhetens lutningsvinkel måste vara ≤30 grader.

2. Kör enheten i fläkkläge under en halv dag för att torka upp interiören ordentligt

och förhindra mögeltillväxt.

3. Stäng av enheten, dra ut stickkontakten och linda nätsladden runt lindningsstolpen.

4. Ta bort frånluftsslangen, rengör den och förvara den på rätt sätt.

OBS: Håll in frånluftsslangen med båda händerna när du tar bort den.

5. Tryck undan fästelementen på frånluftsröret med tummarna och dra sedan ut frånluftsröret.

6. Förpacka luftkonditioneringsapparaten ordentligt i en mjuk plastpåse, placera den på en torr plats med lämpliga dammskyddsåtgärder och förvara den utom räckhåll för barn.

7. Ta ut batterierna ur fjärrkontrollen och förvara dem på rätt sätt.

OBS: Se till att enheten förvaras i en torr miljö. Förvara alla enhetens tillbehör tillsammans för att förhindra skador eller försämring.

## GARANTIER

Två års garanti mot tillverkningsfel. Observera att garantin endast gäller vid uppvisande av kvitto.

SPARA DINA KVITTON! Kvitton kommer att krävas för eventuella garantianspråk under perioden.

### FÅ UTÖKAD GARANTI

Få 3 års garanti genom att registrera produkten på warranty-woods.com

SPARA DINA KVITTON! Alla kvitton kommer att krävas för eventuella garantianspråk under perioden.



## FELSÖKNING

Kontrollera enheten och följ förslagen nedan innan du kontaktar en fackman. Försök dock aldrig att demontera eller reparera enheten själv, eftersom det kan orsaka skada på dig och din egendom. Om problem som inte anges i tabellen uppstår eller om rekommenderade lösningar inte fungerar, kontakta en professionell serviceorganisation.

PROBLEM	ORSAK	ÅTGÄRD
Eheten går inte att starta.	Fel i strömförsörjningen.	Anslut enheten till ett strömförande uttag och slå på den.
	Vattentanken full med motsvarande belyst symbol.	Töm ut det vatten som lagrats i enheten.
	Rumstemperaturen är lägre än den inställda temperaturen i kylningsläget eller högre än den inställda temperaturen i uppvärmningsläget.	Kontrollera att enheten arbetar inom det rekommenderade temperaturintervallet. Justera den inställda temperaturen.
Otillräcklig kylning.	Det finns direkt solljus.	Dra för fönstergardinen.
	Dörrar och fönster är öppna, det är trångt i rummet eller det finns andra värmekällor.	Stäng dörrar och fönster, avlägsna andra värmekällor och överväg att installera ytterligare luftkonditioneringsapparater.
	Smutsigt filter.	Rengör eller byt ut filternätet.
	Luftintag eller luftutlopp igensatt.	Avlägsna eventuella hinder.
Hög ljudnivå.	Enheden är placerad på ojämnt underlag.	Placera enheten på en plan och fast plats (kan minska bullret)
Kompressorn fungerar inte.	Initiering av överhettningsskydd.	Vänta tills temperaturen sjunker, enheten startar om automatiskt
Fjärrkontrollen fungerar inte.	Avståndet mellan apparaten och fjärrkontrollen är för långt.	För fjärrkontrollen nära luftkonditioneringen och se till att luften når signalmottagaren på enheten.
	Fjärrkontrollen är inte riktad mot signalmottagaren på enheten.	
	Batterierna är urladdade.	Byt ut batterierna
Koden "D7 eller E4" visas.	Skydd mot frysning.	Funktionerna återställs automatiskt när frysskyddet har upphört.
Koden "FL" visas.	Vattentanken i chassit är full.	Töm ut kondensatet och starta om enheten.

## TEKNISK SPECIFIKATION

MODELL NR.	CORTINA XL 14K WIFI	CORTINA XL 14K DUO WIFI	CORTINA XL 18K WIFI	CORTINA XL 18K DUO WIFI
Kylkapacitet	3900W	3900W	5000W	5000W
Uppvärmningskapacitet	N/A	3500W	N/A	4000W
Strömförbrukning i kylningsläge	1490W	1490W	1750W	1750W
Strömförbrukning i uppvärmningsläge	N/A	1350W	N/A	1500W
Luftflöde	400m <sup>3</sup> /h	400m <sup>3</sup> /h	480m <sup>3</sup> /h	480m <sup>3</sup> /h
Energiklass	A	A	A	A
Avfuktning	38L/D	38L/D	70L/D	70L/D
Temperaturinställning	17-30°C	17-30°C	17-30°C	17-30°C
Arbetstemperatur	17-43°C	5-43°C	17-43°C	5-43°C
EER i kylningsläge	2,6	2,6	2,6	2,6
Slanglängder	1.5M	1.5M	1.5M	1.5M
Köldmedium	R290/285g	R290/285g	R290/295g	R290/295g
Ljudnivå i kylningsläge (LWA) (dB(A))	60-64 dB	60-64 dB	60-64 dB	60-64 dB
Ljudnivå i kylningsläge (LPA) (dB(A))	48-53 dB	48-53 dB	48-53 dB	48-53 dB
Nettovikt	31.5kg	33kg	27.3kg	28.3kg
Enhetsmått (H×W×D)	770×440×410mm	770×440×410mm	770×440×410mm	770×440×410mm

**Tekniska förändringar och förbättringar kan förekomma. Alla värden är ungefärliga och kan variera beroende på yttre omständigheter som temperatur, ventilation och luftfuktighet.**



## Hänvisning: miljöskydd och bortskaffning

- Konsumenten är enligt lagen skyldig att bortskaffa elektroniska apparater, lampor och batterier korrekt när resp. produkt har tjänat ut.
- De kan lämnas in kostnadsfritt till allmänna återvinningscentraler eller till återförsäljare.
- Det åligger konsumenten att själv radera personuppgifter.
- Ljuskällor och batterier, som kan avlägsnas utan fara och inte är stationärt monterade, måste tas ur i förväg och bortskaffas separat.
- Nationell lagstiftning reglerar hur bortskaffning skall ske korrekt.
- Märkningen med den överstrukna soptunnan betyder att elapparater och batterier aldrig någonsin får kastas i hushållssoporna.
- Symbolerna under soptunnan kännetecknar ev. ämnen som kan ingå (bly = Pb, kvicksilver = Hg, kadmium = Cd).
- Denna sortering är nödvändig, eftersom batterier och elapparater innehåller både värdefulla resurser och ämnen som är farliga för människor och miljö.
- Genom källsortering, insamling och återanvändning av härför lämpliga batterier och elapparater bidrar du till att upprätthålla skyddet för miljön och människors hälsa.



**BRENNBART MATERIALE.**  
Enheten inneholder R290/  
propan, et brennbar kuldemedium.

Se brukerhåndboken.

Les den tekniske  
håndboken.

Les brukerhåndboken.

#### SIKKERHETSINFORMASJON

Les de vedlagte anvisningene nøye før du installerer og tar i bruk enheten. Produsenten er ikke ansvarlig hvis feilaktig installasjon og bruk forårsaker skade på personer eller eiendom. Oppbevar alltid bruksanvisningen sammen med enheten for fremtidig referanse.

#### SIKKERHETEN TIL BARN OG SÅRBARE MENNESKER

**ADVARSEL** Fare for personskade eller varig uferhet.

Denne enheten kan brukes av barn fra åtte år og oppover og av personer med nedsatte fysiske, sensoriske eller mentale evner eller manglende erfaring og kunnskap, så fremt de er under tilsyn eller har fått innføring i hvordan enheten brukes på en trygg og sikker måte og de er klar over farene som er involvert. Ikke la barn leke med enheten.

Barn under tre år bør holdes unna enheten med mindre de er under kontinuerlig tilsyn.

Oppbevar alt emballasjemateriale utilgjengelig for barn. Rengjøring og vedlikehold må ikke utføres av barn uten tilsyn.

#### GENERELL SIKKERHET

Denne apparatet er beregnet på bruk i husholdninger og lignende miljøer som butikker, kontorer og andre arbeidsmiljøer. Typeskiltet er plassert på siden eller baksiden av apparatet. Hold ventilasjonsåpningene frie for hindringer.

Ikke bruk mekanisk utstyr eller annet for å fremskynde avrimingsprosessen. Følg fabrikantens anvisninger. Enheten skal ikke oppbevares i et rom med kontinuerlige antenneskilder (åpen ild, gassdrevet utstyr i drift eller elektrisk varmeovn osv.). Må ikke punkteres eller brennes. Vær oppmerksom på at kuldemedier kan være helt uten lukt. Ikke rengjør enheten med vann og damp. Rengjør enheten med en fuktet myk klut. Bruk kun nøytrale rengjøringsmidler. Ikke bruk skuremidler, skuresvamp, løsemidler eller metallgjenstander. Hvis strømledningen blir skadet, må den skiftes ut av produsenten, et godkjent servicesenter eller tilsvarende kvalifisert personell for å unngå farlige situasjoner.

#### SIKKERHETSANVISNINGER

**ADVARSEL** Denne enheten må kun installeres av en kvalifisert person.

Fjern all emballasje. Ikke installer eller bruk en skadet enhet. Enheten skal installeres, brukes og oppbevares i et rom med en gulvflate på mer enn 14 m<sup>2</sup>. Følg nøye monteringsanvisningen som leveres med enheten. Vær alltid forsiktig når du flytter enheten – den er tung! Bruk alltid vernehansker.

Forviss deg om at luften kan sirkulere rundt enheten. Vent i minst 4 timer før du kobler enheten til strømmettet. Dette er for at oljen skal kunne renne tilbake i kompressoren. Ikke installer enheten nær radiatorer eller andre varmekilder. Ikke plasser enheten i direkte sollys.

#### STRØMTILKOBLING

**ADVARSEL** Fare for brann og elektrisk støt.

Enheten må kobles til en jordet stikkontakt. Forviss deg om at informasjonen på merkeplaten er i samsvar med strømforsyningen. Hvis den ikke er det, må du kontakte elektriker. Bruk alltid korrekt montert stikkontakt. Ikke bruk

grenuttak og skjøteledninger. Pass på at de elektriske komponentene (f.eks. støpsele, strømledning) ikke skades. Kontakt det autoriserte servicesenteret eller en elektriker for å få skiftet de elektriske komponentene. Ledningen må ligge lavere enn støpselet. Ikke plugg støpselet i stikkontakten før installasjonen er fullført. Påse at støpselet er tilgjengelig etter at installasjonen er fullført. Ikke trekk i strømledningen for å koble fra enheten. Hold alltid i støpselet når strømledningen skal trekkes ut av kontakten.

#### BRUK

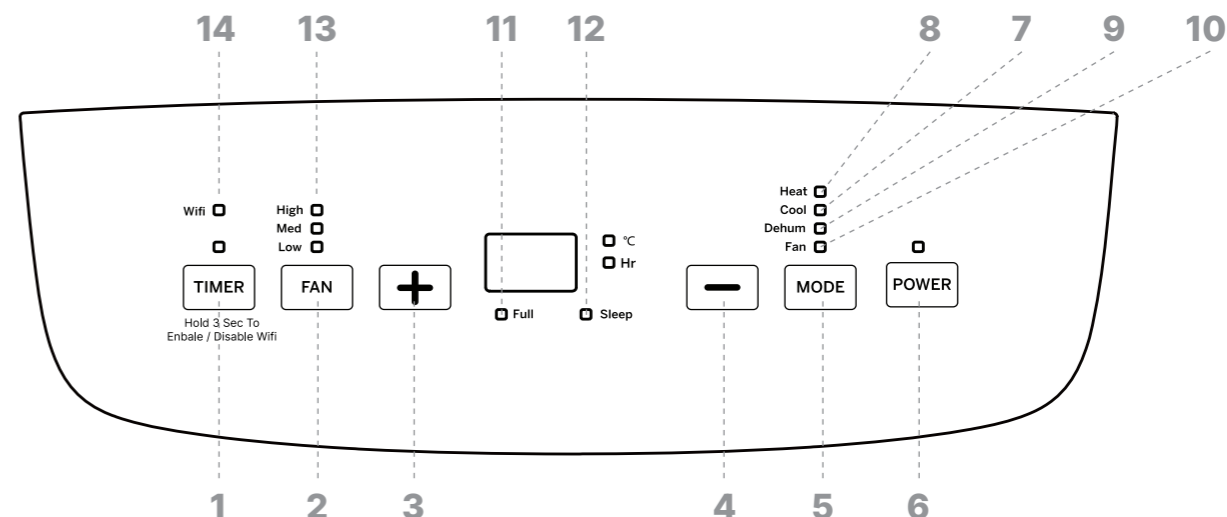
**ADVARSEL** Fare for personskade, brannskade, elektrisk støt eller brann.

Enhetens spesifikasjoner må ikke endres. Pass på at kjølekretsen ikke blir skadd. Den inneholder propan (R290), en naturgass med god miljøkompatibilitet. Denne gassen er antennbar. Hvis det oppstår skade på kjølekretsen, må man påse at det ikke er flammer og antenneskilder i rommet. Luft ut rommet. Ikke legg antennebare produkter eller gjenstander våte av antennebare produkter i nærheten av eller på enheten.

#### AVFALLSHÅNDTERING

**ADVARSEL** Fare for personskade.

Koble enheten fra strømmettet. Klipp av strømledningen, og kast den. Kjølekretsen til enheten er ozonvennlig. Ta kontakt med kommunen for å få informasjon om hvordan du kaster enheten på riktig måte. Unngå å skade den delen av kjøleenheten som er nærmest varmeveksleren.



Takk for kjøpet og for din tillit til Wood's. Denne bruksanvisningen beskriver de ulike driftsmodusene til AC Cortina XL og hvordan du bruker den.

**Kjølemodus:** kjøler ned rommet til ønsket temperatur. Den optimale omgivelsestemperaturen for kjølemodeller er 17-43°C.

**Oppvarmingsmodus:** Varmer opp rommet til ønsket temperatur. Den optimale omgivelsestemperaturen for både kjøle- og varmemodeller er 5-43°C. (Merk: Denne modusen er bare tilgjengelig på AC-modellen med Duo/varme-funksjon).

**Avfuktingsmodus:** senker luftfuktigheten i rommet.

**Viftemodus:** Sirkulerer luften i rommet uten å kjøle.

#### INSTRUKSJONER FOR BRUK

##### PRODUKTDELER (SE BILDE A OG B)

- Vindu for mottak av fjernkontroll
- Kontrollpanel
- Luftutløp
- Hjul
- Øvre filterenhet på bakpanelet
- Braketter for kabelvikling
- Nedre filterenhet på bakpanelet
- Avløpsdeksler
- Rom for fjernkontroll
- Luftinntak
- Luftutløp
- Vindussett
- Rund tilkobling for avtrekksslange
- Slange for avtrekksluft
- Adapter for avtrekksluftslange

##### KONTROLLPANEL (SE OVENFOR ELLER BILDE C)

- Timer-knapp
- Knapp for viftehastighet
- Opp-knappen
- Ned-knappen
- Modus-knapp
- ON/OFF-knapp
- Indikator for kjølemodus
- Indikator for oppvarmingsmodus (NB: dette symbolet er bare tilgjengelig på AC-modeller med Duo/oppvarmingsfunksjon).
- Indikator for avfuktingsmodus
- Indikator for viftemodus
- Indikator for fullt vann
- Indikator for dvalemodus
- Indikator for viftehastighet
- Wi-Fi-indikator. (MERK: Dette symbolet er bare tilgjengelig på AC-modellen med Wi-Fi/Smart Home-funksjon).

##### DRIFTSMODUSER OG FUNKSJONER PÅ KONTROLLPANELET (SE FIGUR C)

**ON/OFF-knapp (6):** Trykk på denne knappen for å aktivere enheten; en melodisk lyd spilles av og enheten går automatisk inn i kjølemodus med en forhåndsinnstilt temperatur på 24 °C. Viften går på middels hastighet.

For å slå av enheten trykker du på denne knappen igjen, og en melodisk lyd vil signalisere at enheten er slått av.

1. Når enheten slås på, viser LCD-vinduet den innstilte temperaturen i kjøle- og oppvarmingsmodus (MERK: Varmesymbolet er kun tilgjengelig på AC-modeller med Duo/Heating-funksjon) eller omgivelsestemperaturen i avfuktings- og viftemodus. Viften starter, og luftutløpsvinduet åpnes automatisk.

2. Alle deler slutter å fungere når enheten slås av, og luftutløpsvinduet lukkes automatisk.

MERK! Viften vil fortsette å gå en kort stund etter at maskinen er slått av.

**Mode-knappen (5):** Trykk på "Mode"-knappen for å bla gjennom de tilgjengelige modusene for bekreftelse.

- **Kjølemodus (7):** Kjøler ned rommet til innstilt temperatur.

- Oppvarmingsmodus (8): Varmer opp rommet til innstilt temperatur (OBS! Denne modusen er kun tilgjengelig på AC-modellen med Duo/oppvarmingsfunksjon).

- **Avfuktingsmodus (9):** Reduserer luftfuktigheten i rommet.

- **Viftemodus (10):** Sirkulerer og renser luften i rommet uten å kjøle ned.

**Ned-knapp (4):** Klikk på knappen for å justere den innstilte temperaturen nedover

**Opp-knapp (3):** Klikk på knappen for å justere den innstilte temperaturen oppover.

**Viftehastighetsknapp (2):** Trykk på viftehastighetsknappen for å velge høy, middels eller lav viftehastighet.

MERK! Viftehastigheten kan ikke justeres i avfuktings- og hvilemodus.

**Timer (1):** Trykk én gang for å aktivere timerfunksjonen. Still inn antall timer (1-24) ved å trykke på + eller -. Når displayet slutter å blinke, er timeren innstilt. For å deaktivere timeren, trykk 2 ganger på timerknappen.

##### FUNKSJONER VED KOMBINASJON AV KNAPPER (SE FIGUR C)

**Sleep-funksjon (12):** Start eller avbryt SLEEP-funksjonen ved å trykke på TIMER-knappen (1) og Opp-knappen (3) samtidig. Vær oppmerksom på at viftehastigheten ikke kan justeres i Sleep-modus.

- Hvis Sleep-funksjonen aktiveres i kjølemodus, økes den innstilte temperaturen med 1 °C etter 2 timer og deretter med ytterligere 1 °C etter ytterligere 2 timer, slik at driften opprettholdes ved denne temperaturen.

- Hvis Sleep-funksjonen aktiveres i

oppvarmingsmodus (kun tilgjengelig på AC-modellen med Duo/Heating-funksjon), senkes den innstilte temperaturen med 1 °C etter 2 timer. Den vil deretter senkes med ytterligere 1 °C etter 2 timer, og vil deretter fortsette å fungere ved denne temperaturen. MERK! Dvalemfunksjonen fungerer ikke i viftmodus eller avfuktingsmodus.

**Auto Swing-funksjon:** Aktiver eller deaktiver Auto Swing ved å trykke på TIMER-knappen (1) og viftehastighetsknappen (2) samtidig.

#### WIFI-FUNKSJON (14):

(Gjelder kun AC-modellen med WiFi/Smart Home-funksjon).



1. Last ned Wood's Connect-appen fra App Store eller Google Play.

2. Registrer deg og følg instruksjonene. Godta alle trinnene (les personvernerklæringen nøye, og hvis du godtar avtalene, trykker du på Godta nederst for å fortsette).

3. Åpne Wood's Connect-appen og trykk på "Legg til enhet" på startskjermen.

4. For å aktivere sammenkoblingsmodus, trykk og hold inne TIMER (1)-knappen på enheten i 3 sekunder for å se Wi-Fi-ikonet på displayet blinke raskt.

5. Når du oppdager enheten på skjermen, trykker du på add. Du kan også velge modell manuelt.

6. Fyll inn Wi-Fi-innstillingene og passordet ditt, og trykk på Neste.

7. Trykk på + for å legge til enheten.

8. Vent til enheten er lagt til, og trykk deretter på ferdig.

For å slå av Wi-Fi-funksjonen trykker du på TIMER (1)-knappen på enheten i 3 sekunder.

#### FJERNKONTROLLENS DRIFTSMODUSER (SE FIGUR D)

**Power (1):** Trykk på denne knappen for å starte enheten når den er slått på, eller for å stoppe enheten når den er i drift.

**Modusknapp (2):** Trykk på denne knappen for å velge driftsmodus.

**Opp-knapp (4):** Trykk på opp-knappen for å øke romtemperaturen og tidsinnstillingen.

**Ned-knapp (5):** Trykk på ned-knappen for å senke romtemperaturen og

tidsinnstillingen.

**Vifteknapp (6):** Trykk på denne knappen for å velge viftehastighet: Lav, Middels, Høy.

**Auto Swing-knapp (7):** Trykk på denne knappen for å aktivere eller deaktivere den automatiske svingfunksjonen.

**Knapp for hvilemodus (8):** Trykk på denne knappen for å velge eller avbryte hvilemodus (gjelder kun i kjøle- eller oppvarmingsmodus)

**Timer-knapp (3):** Still inn AUTO-ON-funksjonen i standby-modus og AUTO-OFF når enheten er i drift. Tiden kan stilles inn mellom 1-24 timer. For å slå av timeren, trykk på timerknappen og sett timeren til "0".

Før du bruker fjernkontrollen, må du sette inn AAA-batteriene i henhold til følgende trinn: (SE FIGUR D)

1. Skyv og fjern forsiktig batteridekselet på baksiden av fjernkontrollen.

2. Sett inn to nye alkaliske AAA-batterier i det angitte batterirommet, og kontroller at polariteten er riktig.

3. Sett tilbake batteridekselet og sørg for at låsetappen klikker på plass.

OBS!

- Bruk kun alkaliske batterier. Ikke bruk oppladbare batterier.

- Bytt alltid ut begge batteriene med nye; ikke bland gamle og nye batterier.

- Ta ut batteriene fra fjernkontrollen hvis klimaanlegget ikke skal brukes på lang tid.

#### LAGRING AV FJERNKONTROLL (SE FIGUR E)

Sett fjernkontrollen inn i det innebygde rommet på baksiden av enheten.

MERK! For å unngå å miste fjernkontrollen, legg den i oppbevaringsrommet når du ikke bruker den.

ADVARSSEL: Hvis batteriet lekker ut på huden eller klærne dine, må du umiddelbart vaske det berørte området grundig med rent vann. Ikke bruk fjernkontrollen hvis det er tegn på batterilekkasje. Hvis du svelger batterivæske, må du umiddelbart oppsøke lege.

Kjemikalier i batteriene kan utgjøre en risiko for blant annet brannskader og andre helsefarer.

## INSTALLASJON

#### FØR FØRSTE GANGS BRUK

La enheten stå oppreist i 4 timer før den tas i bruk.

Dette klimaanlegget er konstruert for enkel flytting innendørs. Sørg for at enheten står oppreist når du flytter den. Plasser klimaanlegget på en flat overflate. Ikke installer eller bruk klimaanlegget på bad

eller i andre våte omgivelser.

#### VIKTIG INFORMASJON FØR MONTERING AV LUFTSLANGEN

Under drift bør slangen være så kort og ha så få bøyninger som mulig for å minimere trykkfall og kapasitetstap.

Eksosslangen må være glatt for å forhindre overoppheting og mulig skade på klimaanlegget. Slangen har en lengde på 280 mm-1500 mm. Unngå å forlenge slangen eller bytte den ut med en annen slange, da dette kan påvirke driften.

#### MONTERING AV AVTREKSSLANGEN OG DENS ADAPTER (SE FIGUR F)

1. Fjern plastposen ved å trekke eksosslangen, koblingen og adapteren ut av emballasjen.

2. Trekk ut den ene enden av eksosslangen og monter den runde koblingen ved å vri den minst tre omdreininger mot urviseren.

3. Trekk ut den andre enden av eksosslangen og fest adapteren ved å vri den minst tre omdreininger mot urviseren.

4. Plasser den fremre enden av eksosslangen i det angitte sporet på eksosutløpet på bakpanelet. Festene låser eksosslangen sikkert på plass.

5. Monter luftutløpsslangen på enheten.

MERK! Sørg for at den skrå siden av adapteren er riktig orientert for å gjøre det lettere å montere vindusforseglingsplaten.

Sørg for at tilkoblingen til avtrekksslangen er sikker og godt plassert.

#### MONTERING AV VINDUETS TETNINGSPLATE (SE BILDE G)

1. Sett den rektangulære enden av slangen inn i det tilsvarende rektangulære hullet i vinduets tetningsplate, og fest den med en skrue.

OBS!

- Skyv adapterne nedover og sørg for at de sitter godt fast.

- Kontroller at retningen på det skråstilte panelet er på linje med retningen på tetningsplaten.

- Sørg for at slangen er så rett som mulig for å sikre tilstrekkelig ventilasjon.

2. Åpne vinduet halvveis og sett tetningsplaten inn i vinduet, og plasser den enten loddrett eller vannrett.

3. Trekk ut delene av tetningsplaten og juster dem slik at de passer til lengden på vinduet.

Sørg for at begge endene møter vinduskantene, og fest dem med skruer.

MERK! Kontroller at begge endene av vindusforseglingsplaten møter vinduskantene på riktig måte for å få en korrekt tetning.

Sørg for at skruene er strammet til i riktig

posisjon.

4. Flytt enheten med slangen montert foran vinduet, og hold enheten minst 50 cm fra vegger eller andre gjenstander.

#### AKTIVERE ENHETEN

Koble enheten til strømmen ved å plugge den inn. Enheten er nå klar til bruk!

#### VEDLIKEHOLD

MERK! Slå av og trekk ut støpselet før vedlikehold.

#### INSTRUKSJONER FOR DRENERING (SE FIGUR H)

Mesteparten av vannet vil slippes ut naturlig gjennom avtrekksslangen med den varme luften.

Hvis du trenger å tømme tanken, vil enheten varsle deg om dette (REFERANSE FIGUR C, Full-indikator)

Slik tømmer du vannet: Skru av avløpsdekselet og trekk ut vannpluggen slik at vannet kan renne ned i trauret. NB!

Vær forsiktig for å unngå lekkasje hvis enheten må flyttes. Vipp enheten litt bakover under tømming. Hvis trauret ikke kan ta imot alt vannet fra enheten, må du straks blokkere dreneringshullet for å forhindre vannlekkasje og unngå at gulvet eller teppet blir vått. Sørg for at vannpluggen og avløpsdekselet er riktig montert for å unngå at nytt kondensvann fukter gulv eller teppe når enheten startes på nytt.

Koble til en vannslange for kontinuerlig drenering: Skru av avløpsdekselet og fjern vannpluggen. Koble en vannslange med en innvendig diameter på 12 mm til røret på enheten. Før den andre enden av vannslangen til et avløp.

Sørg for at vannet kan renne nedover.

MERK: En avløpsslange må installeres når det ikke er vann i skuffen.

Det anbefales ikke å bruke kontinuerlig drenering når enheten er i kjølemodus for å sikre at nok vann gjenvinnes i enheten for å forbedre systemets kjøleeffekt. Plasser dreneringsslangen på et utilgjengelig sted, sørg for at den ikke er plassert høyere enn dreneringshullet, og hold dreneringsslangen rett uten bøyer. Sørg for at dreneringslokket og pluggen er ordentlig festet når du bruker kontinuerlig drenering.

#### FLERE BESKYTTELSSEFUNKSJONER

Automatisk avriming: Apparatet avrimes automatisk ved behov. I avrimingsmodus vises D7 på displayet, og ingen knapper unntatt POWER-knappen er aktive.

Kompressorbeskyttelse: Enheten har en kompressorbeskyttelsesfunksjon som forårsaker en oppstartsforsinkelse på 3 minutter etter at enheten har blitt startet på nytt.

Sikkerhetsalarm og avstengningsfunksjon for vannfylling: Når vannmengden overskrider alarmnivået som er angitt i apparatets chassis, utløses en automatisk alarm, og ikonet for fullt vann lyser på LCD-skjermen. I dette tilfellet er det nødvendig å tømme kondensvannet i henhold til instruksjonene i avsnittet "Tømmeinstruksjoner". Hvis enheten ikke slås av manuelt, vil den automatisk gå tilbake til sin opprinnelige driftsmodus når kondensvannet er helt tømt ut. Alternativt kan du koble til strømmen igjen for å starte enheten på nytt.

#### UTTRYKK

- Rengjør overflaten på enheten med en våt, myk klut, og ikke bruk kjemiske løsemidler som alkohol eller bensin for å unngå skader.

- Rengjør det skitne luftutløpet eller lamellene med en fuktig, myk klut og et mildt rengjøringsmiddel.

- Alle kjemiske løsemidler må ikke brukes til rengjøring av apparatet eller plasseres i nærheten av apparatet over lengre tid.

- Det er forbudt å bruke tynner, alkoholholdig vaskemiddel eller lignende løsemidler ved rengjøring av enheten.

#### RENGJØRING AV VASKBART FILTER (SE BILDE I)

Det er viktig å rengjøre filteret annenhver uke for å unngå at støvansamlinger påvirker apparatets ytelse. Dypp og vask filteret forsiktig i varmt vann (ca. 40 °C) blandet med et nøytralt rengjøringsmiddel. Sett filteret tilbake i enheten etter rengjøring.

Rengjør de nedre filterene: Trekk ut de nedre filterene, fjern deretter det bakre filteret og rengjør det.

Trekk filteret forsiktig ut, og prioriter å fjerne filteret på bakpanelet før filteret på sidepanelet for å unngå vridning eller skade. Vær forsiktig så du ikke knuser filteret, og unngå å treffe filteret med skarpe gjenstander eller børster.

MERK! Sørg for at filteret er montert på sidepanelet før du monterer filteret på bakpanelet.

Monter filteret i motsatt retning av når det tas ut.

#### LAGRING VED SESONGSLUTT

1. Skru av avløpsdekselet og fjern vannpluggen for å tømme kondensvannet helt ut.

MERK: Enhetens hellingsvinkel må være ≤30 grader.

2. Kjør enheten i viftmodus i en halv dag for å tørke opp innvendig og forhindre muggvekst.

3. Slå av enheten, trekk ut støpselet og vikle strømledningen rundt viklingsstolpen.

4. Fjern varmeavtrekksslangen, rengjør den og oppbevar den på riktig måte.

MERK: Hold eksosslangen med begge hender når du tar den av.

5. Skyv festene på eksosrøret bort med tommelen, og trekk deretter eksosrøret ut.

6. Pakk klimaanlegget godt inn i en myk plastpose, plasser det på et tørt sted med egnede støvbeskyttelsestiltak og oppbevar det utilgjengelig for barn.

7. Ta ut batteriene fra fjernkontrollen og oppbevar dem på riktig måte.

MERK: Sørg for at enheten oppbevares i tørre omgivelser. Oppbevar alt tilbehør til enheten sammen for å forhindre skade eller forringelse.

## GARANTIER

To års garanti mot produksjonsfeil. Vær oppmerksom på at garantien kun gjelder ved fremvisning av kvittering.

TA VARE PÅ KVITTERINGENE! Kvitteringer vil være påkrevd for eventuelle garantikrav i løpet av perioden.

#### FÅ UTVIDET GARANTI

Få 3 års garanti ved å registrere deg på warranty-woods.com.

TA VARE PÅ KVITTERINGENE! Alle kvitteringer vil være nødvendige for eventuelle garantikrav i løpet av perioden.



**FEILSØKING**

Kontroller enheten og følg forslagene nedenfor før du kontakter en fagmann. Forsøk aldri å demontere eller reparere enheten selv, da det kan føre til skade på deg og dine eiendeler. Hvis det oppstår problemer som ikke er oppført i tabellen, eller hvis de anbefalte løsningene ikke fungerer, må du kontakte en profesjonell serviceorganisasjon.

PROBLEMER	ÅRSAK	LØSNING
Enheden starter ikke opp.	Feil i strømforsyningen.	Koble enheten til en strømførende stikkontakt og slå den på.
	Vanntanken er full med tilhørende opplyst ikon.	Tøm vannet som er lagret i enheten.
	Romtemperaturen er lavere enn den innstilte temperaturen i kjølemodus eller høyere enn den innstilte temperaturen i varmemodus.	Kontroller at enheten fungerer innenfor det anbefalte temperaturområdet. Juster den innstilte temperaturen.
Utilstrekkelig kjøling.	Det er direkte sollys.	Trekk for vindusgardinen.
	Dører og vinduer er åpne, rommet er fullt av folk eller det finnes andre varmekilder.	Lukk dører og vinduer, fjern andre varmekilder og vurder å installere ekstra klimaanlegg.
	Skittent filter.	Rengjør eller skift ut filternettet.
	Luftinntaket eller luftutløpet er tilstoppet.	Fjern eventuelle hindringer.
Høyt støynivå.	Enheden plasseres på et ujevnt underlag.	Plasser enheten på et flatt og fast sted (kan redusere støy).
Kompressoren fungerer ikke.	Initiering av overopphetingsbeskyttelse.	Vent til temperaturen synker, så starter enheten automatisk på nytt.
Fjernkontrollen fungerer ikke.	Avstanden mellom enheten og fjernkontrollen er for stor.	Før fjernkontrollen nær klimaanlegget, og sørg for at det kommer luft til signalmottakeren på enheten.
	Fjernkontrollen er ikke rettet mot signalmottakeren på enheten.	
	Batteriene er tomme.	Skift ut batteriene
Koden "D7 eller E4" vises.	Frostbeskyttelse.	Funksjonene gjenopprettes automatisk når frostbeskyttelsen er over.
Koden "FL" vises.	Vanntanken i chassiset er full.	Tøm kondensvannet og start aggregatet på nytt.

**TEKNISKE SPESIFIKASJONER**

MODELLNR.	CORTINA XL 14K WIFI	CORTINA XL 14K DUO WIFI	CORTINA XL 18K WIFI	CORTINA XL 18K DUO WIFI
Kjølekapasitet	3900W	3900W	5000W	5000W
Oppvarmingskapasitet	N/A	3500W	N/A	4000W
Strømforbruk i kjølemodus	1490W	1490W	1750W	1750W
Strømforbruk i oppvarmingsmodus	N/A	1350W	N/A	1500W
Luftstrøm	400m³/h	400m³/h	480m³/h	480m³/h
Energiklasse	A	A	A	A
Avfukting	38L/D	38L/D	70L/D	70L/D
Temperaturinnstilling	17-30°C	17-30°C	17-30°C	17-30°C
Arbeidstemperatur	17-43°C	5-43°C	17-43°C	5-43°C
EER i kjølemodus	2,6	2,6	2,6	2,6
Slangelengder	1.5M	1.5M	1.5M	1.5M
Kjølemiddelgass	R290/285g	R290/285g	R290/295g	R290/295g
Lydnivå i kjølemodus (LWA) (dB(A))	60-64 dB	60-64 dB	60-64 dB	60-64 dB
Lydnivå i kjølemodus (LPA) (dB(A))	48-53 dB	48-53 dB	48-53 dB	48-53 dB
Netto vekt	31.5kg	33kg	27.3kg	28.3kg
Enhetsens dimensjoner (HxBxD)	770x440x410mm	770x440x410mm	770x440x410mm	770x440x410mm

**Tekniske endringer og forbedringer kan forekomme. Alle verdier er omtrentlige og kan variere avhengig av ytre forhold som temperatur, ventilasjon og luftfuktighet.**



**Merk: Miljøvern og avfallshåndtering**

- Forbrukeren er etter lov forpliktet til å avfallshåndtere elektroniske apparater, lamper og batterier på forskriftsmessig måte på slutten av deres levetid.
- Disse kan innleveres kostnadsfritt ved offentlige samlesteder eller til forhandlere.
- Slettingen av personopplysninger er forbrukerens eget ansvar.
- Lysstoffer og batterier, som kan tas ut uten fare og ikke er fastmontert, må tas ut på forhånd for separat avfallshåndtering.
- Landets lover regulerer detaljene for lovmessig avfallshåndtering.
- Merkingen med den overkryssede søppeldunken markerer elektriske apparater og batterier som etter levetiden ikke under noen omstendigheter må kastes i husholdningsavfallet.
- Symboler som er anbrakt under søppeldunken, kjennetegner evt. integrerte innholdsstoffer (bly = Pb, kvikksølv = Hg, kadmium = Cd).
- Denne separeringen er nødvendig, da batterier og elektriske apparater både er verdifulle ressurser og også inneholder skadelige stoffer for mennesker og miljø.
- Ved resirkulering, samling og gjenbruk av batterier og elektriske apparater som er egnet til dette bidrar du til å opprettholde og verne om miljøet og menneskers helse.



**BRÆNDBART MATERIALE.**  
Dette apparat indeholder R290/  
propan, som er et brændbart  
kølemiddel.



Se betjeningsvejledningen.



Læs den tekniske vejledning.



Læs betjeningsvejledningen.

#### SIKKERHEDSOPLYSNINGER

Læs de medfølgende anvisninger grundigt, inden apparatet installeres og tages i brug. Producenten er ikke ansvarlig, hvis forkert installation og brug forårsager person- og tingskade. Opbevar altid anvisningerne sammen med apparatet til fremtidig reference.

#### BØRNS OG UDSATTE PERSONERS SIKKERHED

##### ADVARSEL ⚠

Risiko for personskade eller permanent funktionsnedsættelse.

Dette apparat kan anvendes af børn på 8 år og derover samt personer med nedsatte fysiske, sensoriske eller mentale evner eller manglende erfaring og viden, hvis de superviseres eller er blevet instrueret i at bruge apparatet på en sikker måde og forstår, hvilken fare det indebærer. Lad ikke børn lege med apparatet.

Børn under 3 år skal holdes væk fra apparatet, medmindre de hele tiden overvåges.

Al emballage skal holdes væk fra børn. Rengøring og brugervedligeholdelse må ikke foretages af børn uden opsyn.

#### GENERELLESIKKERHEDSFORSKRIFTER

Dette apparat er beregnet til brug i husholdninger og lignende miljøer såsom butikker, kontorer og andre

arbejdsmiljøer. Typeskiltet er placeret på siden eller bagsiden af apparatet. Hold ventilationsåbningerne fri for forhindringer.

Der må ikke anvendes andre mekaniske anordninger eller metoder til fremskyndelse af afrimningsprocessen end dem, producenten anbefaler. Apparatet må ikke opbevares i et lokale, hvor der løbende anvendes antændingskilder (åben ild, gasapparater, elektriske varmeapparater mv.). Må ikke punkteres eller brændes. Vær opmærksom på, at kølemidler ikke nødvendigvis kan lugtes. Der må ikke anvendes vandspray eller damp til rengøring af apparatet. Apparatet skal rengøres med en fugtig, blød klud. Brug kun neutrale rengøringsmidler. Brug ikke slibemidler, slibende rengøringsvamp, opløsningsmidler eller metalgenstande. Hvis strømkablet er beskadiget, skal det udskiftes af fabrikanten, et autoriseret servicecenter eller en tilsvarende kvalificeret person for at undgå fare.

#### SIKKERHEDSANVISNINGER

##### ADVARSEL ⚠

Dette apparat må kun installeres af en kvalificeret person.

Fjern alt emballagemateriale. Apparatet må ikke installeres eller anvendes, hvis det er beskadiget. Apparatet skal installeres, betjenes og opbevares i et lokale med et gulvareal, der er større end 14 m<sup>2</sup>. Følg nøje installationsvejledningen, der følger med apparatet. Dette er for at give olien mulighed for at flyde tilbage i kompressoren. Apparatet må ikke installeres tæt på radiatorer eller andre varmekilder. Apparatet må ikke installeres, hvor der er direkte sollys.

Sørg for, at luften kan cirkulere omkring apparatet. Vent mindst 4 timer, før apparatet sluttes til stikkontakten. Dette er for at give olien mulighed for at flyde tilbage i kompressoren. Apparatet må ikke installeres tæt på radiatorer eller andre varmekilder. Apparatet må ikke installeres, hvor der er direkte sollys.

#### ELEKTRISK TILSLUTNING

##### ADVARSEL ⚠

Risiko for brand og elektrisk stød.

Apparatet skal tilsluttes til en jordet stikkontakt. Kontrollér, at strømoplysningerne på mærkepladen er i overensstemmelse med strømforsyningen. Hvis ikke, skal du kontakte en elektriker. Brug altid

en korrekt installeret og stødsikker stikkontakt. Brug ikke adaptere til flere stik og forlænger kabler. Sørg for ikke at beskadige de elektriske komponenter (f.eks. stik, kabel). Kontakt et autoriseret servicecenter eller en elektriker, hvis de elektriske komponenter skal ændres. Kablet skal forblive under stikkets niveau. Tilslut først stikket til stikkontakten som det sidste i forbindelse med installationen. Sørg for, at der er adgang til stikket efter installationen. Træk ikke i strømkablet for at frakoble apparatet. Tag altid fat om selve stikket, når du frakobler strømkablet.

#### ANVENDELSE

##### ADVARSEL ⚠

Risiko for personskade, forbrændinger, elektrisk stød eller brand.

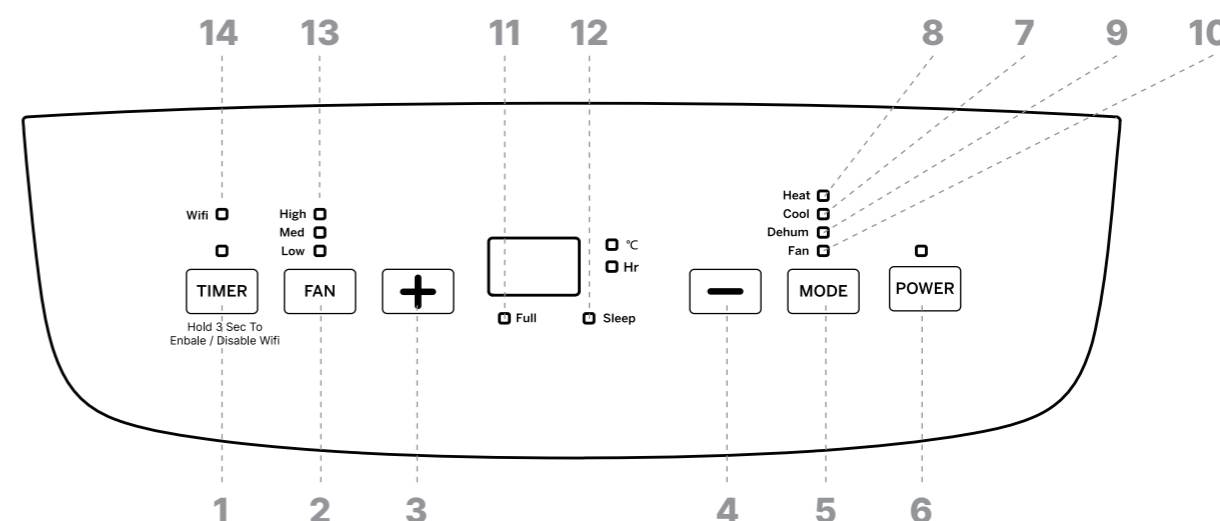
Du må ikke ændre specifikationen for dette apparat. Pas på ikke at beskadige kølemiddelkredsløbet. Det indeholder propan (R290), som er en naturgas med en høj grad af miljøvenlighed. Denne gas er brændbar. Hvis der opstår skader på kølemiddelkredsløbet, skal du sørge for, at der ikke er flammer og antændelseskilder i lokalet. Udluft lokalet. Placer ikke brændbare produkter eller genstande, der er gennemvædet med brændbare væsker, i nærheden af eller på apparatet.

#### BORTSKAFFELSE

##### ADVARSEL ⚠

Risiko for personskade.

Træk apparatets stik ud af stikkontakten. Fjern strømkablet, og kassér det. Kølemiddelkredsløbet i dette apparat er ozonvenligt. Kontakt kommunen for at få oplysninger om korrekt bortskaffelse af apparatet. Den del af køleenheden, der er i nærheden af varmeveksleren, må ikke beskadiges.



Tak for dit køb og for din tillid til Wood's. Denne manual præsenterer de forskellige driftstilstande for AC Cortina XL, og hvordan man betjener den.

**Køletilstand:** Køler rummet ned til den ønskede temperatur. Den optimale omgivelsestemperatur for kølemødder er 17-43°C.

**Opvarmningstilstand:** Opvarmer rummet til den ønskede temperatur. Den optimale omgivelsestemperatur for både køle- og varmemødder er 5-43°C. (Bemærk: Denne tilstand er kun tilgængelig på AC-modellen med Duo/varmefunktion).

**Affugtningstilstand:** sænker luftfugtigheden i rummet.

**Ventilatorstilstand:** Cirkulerer luften i rummet uden at køle.

#### INSTRUKTIONER TIL BRUG

##### PRODUKTDELE (SE BILLEDE A OG B)

- Vindue til kommunikation med fjernbetjening
- Kontrolpanel
- Luftudtag
- Hjul
- Øvre filterenhed på bagpanelet
- Beslag til kabeloprulning
- Nedre filterenhed på bagpanelet
- Dæksler til afløb
- Rum til fjernbetjening
- Luftindtag
- Luftudtag
- Vindues-sæt
- Rund tilslutning til udblæsningsslange
- Slange til udblæsningsluft
- Adapter til udblæsningslange

##### KONTROLPANEL (SE OVENFOR ELLER BILLEDE C)

- Timer-knap
- Knap til blæserhastighed
- Op-knap
- Ned-knap
- Mode-knap
- ON/OFF-knap
- Indikator for køletilstand
- Indikator for opvarmningstilstand (NB: dette symbol findes kun på AC-modeller med Duo/opvarmningsfunktion).
- Indikator for affugtningstilstand
- Indikator for blæsertilstand
- Indikator for fuldt vand
- Indikator for dvaletilstand
- Indikator for blæserhastighed
- Wi-Fi-indikator. (BEMÆRK: Dette symbol er kun tilgængeligt på AC-modellen med Wi-Fi/Smart Home-funktion).

##### DRIFTSTILSTANDE OG KONTROLPANELETS FUNKTIONER (SE FIGUR C)

**ON/OFF-knap (6):** Tryk på denne knap for at aktivere enheden; der afspilles en melodisk lyd, og enheden går automatisk i køletilstand med en forudindstillet temperatur på 24 °C. Ventilatoren kører med medium hastighed.

For at slukke for enheden skal du trykke på denne knap igen, og en melodisk lyd vil signalere, at enheden er slukket.

1. Når enheden tændes, viser LCD-vinduet den indstillede temperatur i køle- og opvarmningstilstand (BEMÆRK: Varmesymbolet er kun tilgængeligt på AC-modeller med Duo/Heating-funktion) eller den omgivende temperatur i affugtningstilstand. Ventilatoren begynder at køre, og udluftningsvinduet åbnes automatisk.

2. Alle dele holder op med at fungere, når enheden slukkes, og udluftningsvinduet lukkes automatisk.

BEMÆRK! Ventilatoren vil fortsætte med at køre i kort tid, efter at maskinen er slukket.

**Mode-knap (5):** Tryk på "Mode"-knappen for at rulle gennem de tilgængelige tilstande til bekræftelse.

**Køletilstand (7):** Køler rummet ned til den indstillede temperatur.

**Opvarmningstilstand (8):** Opvarmer rummet til den indstillede temperatur (BEMÆRK! Denne tilstand er kun tilgængelig på AC-modellen med Duo/opvarmningsfunktion).

**Affugtningstilstand (9):** Reducerer luftfugtigheden i rummet.

**Ventilatorstilstand (10):** Cirkulerer og renser luften i rummet uden at køle.

**Ned-knap (4):** Klik på knappen for at justere den indstillede temperatur nedad.

**Op-knap (3):** Klik på knappen for at justere den indstillede temperatur opad.

**Blæserhastighedsknap (2):** Tryk på blæserhastighedsknappen for at vælge høj, mellem eller lav blæserhastighed.

BEMÆRK! Ventilatorhastigheden kan ikke justeres i affugtningstilstand og dvaletilstand.

**Timer (1):** Tryk én gang for at aktivere timerfunktionen. Indstil antallet af timer (1-24) ved at trykke på + eller -. Når displayet holder op med at blinke, er timeren indstillet. Tryk på timerknappen 2 gange for at deaktivere den.

##### FUNKTIONER, NÅR DU KOMBINERER KNAPPER (SE FIGUR C)

**Sleep-funktion (12):** Start eller afbryd SLEEP-funktionen ved at trykke på TIMER-knappen (1) og Up-knappen (3) samtidigt. Bemærk, at ventilatorhastigheden ikke kan justeres i dvaletilstand.

- Hvis Sleep-funktionen er aktiveret i køletilstand, hæves den indstillede temperatur med 1 °C efter 2 timer og

derefter med yderligere 1 °C efter 2 timer, så driften opretholdes ved denne temperatur.

- Hvis Sleep-funktionen er aktiveret i opvarmningstilstand (kun tilgængelig på AC-modellen med Duo/Heating-funktion), sænkes den indstillede temperatur med 1°C efter 2 timer. Den vil derefter blive sænket med yderligere 1 °C efter 2 timer og vil derefter fungere ved denne temperatur. BEMÆRK! Dvalefunktionen fungerer ikke i blæser- eller affugtningstilstand.

**Auto Swing-funktion:** Aktiver eller deaktivér Auto Swing ved at trykke på TIMER-knappen (1) og blæserhastighedsknappen (2) samtidigt.

#### WIFI-FUNKTION (14):

(Gælder kun AC-modellen med WiFi/Smart Home-funktion).

Wood's



1. Download Wood's Connect-appen fra App Store eller Google Play.
  2. Registrer dig, og følg instruktionerne. Accepter alle trin (læs privatlivspolitikken omhyggeligt, og hvis du accepterer aftalerne, skal du trykke på accept i bunden for at fortsætte).
  3. Åbn Wood's Connect-appen, og tryk på "tilføj enhed" på startskærmen.
  4. For at aktivere parningstilstanden skal du trykke på TIMER (1)-knappen på enheden og holde den nede i 3 sekunder, så Wi-Fi-ikonet på displayet blinker hurtigt.
  5. Når du ser enheden på skærmen, skal du trykke på tilføj. Du kan også vælge modellen manuelt.
  6. Udfyld dine Wi-Fi-indstillinger og din adgangskode, og tryk på Næste.
  7. Tryk på + for at tilføje enheden.
  8. Vent på, at enheden tilføjes, og tryk derefter på done.
- For at slukke for Wi-Fi-funktionen skal du trykke på knappen TIMER (1) på enheden i 3 sekunder.

#### FJERNBETJENINGENS DRIFTSTILSTANDE (SE FIGUR D)

**Power (1):** Tryk på denne knap for at starte enheden, når den er tændt, eller stoppe den, når den er i drift.

**Mode-knap (2):** Tryk på denne knap for at vælge driftstilstand.

**Op-knap (4):** Tryk på op-knappen for at

øge rumtemperaturen og timerindstillingen.

**Ned-knap (5):** Tryk på ned-knappen for at sænke rumtemperaturen og timerindstillingen.

**Ventilator-knap (6):** Tryk på denne knap for at vælge ventilatorhastighed: Lav, Mellem, Høj.

**Auto Swing-knap (7):** Tryk på denne knap for at aktivere eller deaktivere auto swing-funktionen.

**Dvaelstilstandsknap (8):** Tryk på denne knap for at vælge eller annullere dvaelstilstand (gælder kun i køle- eller opvarmningstilstand).

**Timer-knap (3):** Indstil AUTO-ON-funktionen i standbytilstand og AUTO-OFF, når enheden er i drift. Tiden kan indstilles mellem 1-24 timer. For at slukke for timeren skal du trykke på timerknappen og indstille timeren til "0".

Før du bruger fjernbetjeningen, skal du indsætte AAA-batterierne i henhold til følgende trin: (SE FIGUR D)

1. Skub og fjern forsigtigt batteridækslet på bagsiden af fjernbetjeningen.
2. Sæt to nye AAA-alkalibatterier i det dertil indrettede batterirum, og sørg for, at polariteten er korrekt.
3. Sæt batteridækslet på plads igen, og sørg for, at låsetappen klikker på plads.

OBS!

- Brug kun alkaliske batterier. Brug ikke genopladelige batterier.

- Udskift altid begge batterier med nye; bland ikke gamle og nye batterier.

- Tag batterierne ud af fjernbetjeningen, hvis klimaanlægget ikke skal bruges i længere tid.

#### OPBEVARING AF FJERNBETJENING (SE FIGUR E)

Sæt fjernbetjeningen ind i det indbyggede rum på bagsiden af apparatet.

BEMÆRK! For at undgå at miste fjernbetjeningen skal du lægge den i opbevaringsrummet, når du ikke bruger den.

ADVARSEL: Hvis batteriet lækker på din hud eller dit tøj, skal du straks vaske det berørte område grundigt med rent vand. Undlad at bruge fjernbetjeningen, hvis der er tegn på batterilækage. Hvis du sluger batterivæske, skal du straks søge lægehjælp.

De kemikalier, der findes i batterier, kan udgøre en risiko for forbrændinger og andre sundhedsfarer.

## INSTALLATION

#### FØR FØRSTE BRUG

Lad enheden stå oprejst i 4 timer, før du tager den i brug.

Dette klimaanlæg er designet til nem indendørs flytning. Sørg for, at enheden står oprejst, når du flytter den. Placer klimaanlægget på en flad overflade. Installer eller brug ikke klimaanlægget i badeværelser eller andre våde omgivelser.

#### VIGTIGE OPLYSNINGER FØR INSTALLATION AF LUFTSLANGEN

Under drift skal slangen være så kort og have så få bøjninger som muligt for at minimere trykfald og kapacitetstab.

Udblæsningsslangen skal være glat for at forhindre overophedning og mulig skade på klimaanlægget. Slangen har en længde på 280 mm-1500 mm. Undgå at forlænge slangen eller udskifte den med en anden slange, da det kan påvirke driften.

#### MONTERING AF UDBLÆSNINGSSLANGEN OG DENS ADAPTER (SE FIGUR F)

1. Fjern plastikposen ved at trække udblæsningsslangen, dens stik og adapter ud af emballagen.
2. Forlæng den ene ende af udblæsningsslangen, og monter den runde kobling ved at dreje den mod uret i mindst tre omgange.
3. Forlæng den anden ende af udblæsningsslangen, og sæt adapteren på ved at dreje den mod uret i mindst tre omgange.
4. Placer den forreste ende af udblæsningsslangen i den dertil indrettede åbning på udblæsningsstudsen på bagpanelet. Fastgørelseselementerne låser udblæsningsslangen sikkert på plads.
5. Monter luftudgangsslangen på enheden.

BEMÆRK! Sørg for, at den skrå side af adapteren er korrekt orienteret for at lette monteringen af vinduestætningspladen.

Sørg for, at udblæsningsslangens tilslutning er sikker og godt placeret.

#### MONTERING AF VINDUESTÆTNINGSPLADE (SE BILLEDE G)

1. Sæt den rektangulære ende af slangen ind i det tilsvarende rektangulære hul i vinduesforseglingsspladen, og fastgør den med en skrue.

OBS!

- Skub adapterne nedad, og sørg for, at de sidder godt fast.

- Kontrollér, at retningen på det skrånede panel er på linje med retningen på tætningspladen.

- Sørg for, at slangen er så lige som muligt for at sikre tilstrækkelig ventilation.

2. Åbn vinduet halvvejs, og sæt tætningspladen ind i vinduet, så den står enten lodret eller vandret.

3. Forlæng tætningspladens dele, og juster dem, så de passer til vinduets længde.

Sørg for, at begge ender møder vindueskanterne, og fastgør dem med skruer.

BEMÆRK! Kontroller, at begge ender af vinduestætningsarket møder vindueskanterne korrekt for at få en korrekt tætning.

Sørg for, at skruerne er spændt ordentligt i den rigtige position.

4. Flyt enheden med slangen monteret foran vinduet, og hold enheden mindst 50 cm væk fra væggen eller andre genstande.

#### SÆT STRØM TIL ENHEDEN

Tilslut enheden til elnettet ved at sætte stikket i.

Enheden er nu klar til brug!

#### VEDLIGEHOLDELSE

BEMÆRK! Sluk for enheden, og tag stikket ud før vedligeholdelse.

#### INSTRUKTIONER OM DRÆNING (SE FIGUR H)

Det meste af vandet vil blive udledt naturligt gennem udblæsningsslangen med den varme luft.

Hvis du har brug for at tømme tanken, vil enheden give dig besked (se figur C, fuld indikator).

Sådan tømmes vandtanken: Skru afløbsdækslet af, og træk vandproppen ud, så vandet kan løbe ned i truget. BEMÆRK!

Sørg for at forhindre lækage, hvis enheden skal flyttes. Vip enheden lidt bagover under tømmingen. Hvis truget ikke kan modtage alt vandet fra enheden, skal du straks blokere afløbshullet for at forhindre vandlækage og undgå at gøre gulvet eller tæppet vådt. Sørg for, at vandproppen og afløbsdækslet er korrekt installeret for at forhindre, at ny kondens væder gulvet eller tæppet, når enheden genstartes.

Tilslut en vandslange til kontinuerlig dræning: Skru afløbsdækslet af, og fjern vandproppen. Tilslut en vandslange med en indvendig diameter på 12 mm til røret på enheden. Før den anden ende af vandslangen til et afløb.

Sørg for, at vandet kan løbe nedad.

BEMÆRK: Der skal monteres en afløbsslange, når der ikke er vand i bakken.

Det anbefales ikke at bruge kontinuerlig dræning, når enheden er i køletilstand for at sikre, at der genvindes nok vand i enheden til at forbedre systemets køleeffekt. Placer afløbsslangen på et utilgængeligt sted, sørg for, at den ikke er placeret højere end afløbshullet, og hold afløbsslangen lige uden nogen bøjninger. Sørg for, at afløbsdækslet og dets prop er ordentligt fastgjort, når du bruger kontinuerlig dræning.

#### FLERE BESKYTTELSSESFUNKTIONER

Automatisk afrimning: Enheden afrimer

automatisk, når det er nødvendigt. I afrimningstilstand vises D7 på displayet, og ingen knapper undtagen POWER-knappen er aktive.

Kompressorbeskyttelse: Enheden har en kompressorbeskyttelsesfunktion, der forårsager en opstartsforsinkelse på 3 minutter, efter at enheden er blevet genstartet.

Sikkerhedsalarm for vandpåfyldning og nedlukningsfunktion: Når vandmængden overskrider det alarmniveau, der er angivet i enhedens kabinet, udløses en automatisk advarsalarm, og ikonet for fuldt vand lyser på LCD-displayet. I dette tilfælde er det nødvendigt at tømme kondensvandet i henhold til instruktionerne i afsnittet "Tømningsinstruktioner". Hvis enheden ikke slukkes manuelt, vender den automatisk tilbage til sin oprindelige driftstilstand, når kondensvandet er drænet helt væk. Alternativt kan du tilslutte strømmen igen for at genstarte enheden.

#### UDTRYK

- Rengør enhedens overflade med en våd, blød klud, og brug ikke kemiske opløsningsmidler som alkohol eller benzin for at undgå skader.

- Rengør det snavsede luftudtag eller lamellerne med en fugtig, blød klud og et mildt rengøringsmiddel.

- Alle kemiske opløsningsmidler må ikke bruges til at rengøre enheden eller placeres i nærheden af enheden i længere tid.

- Det er forbudt at bruge fortynder, alkoholholdige rengøringsmidler eller lignende opløsningsmidler til rengøring af enheden.

#### RENGØRING AF VASKBART FILTER (SE BILLEDE I)

Det er vigtigt at rengøre filteret hver anden uge for at forhindre, at apparatets ydeevne påvirkes af støvansamlinger. Dyp og vask forsigtigt filteret i varmt vand (ca. 40 °C) blandet med et neutralt rengøringsmiddel. Sæt filteret tilbage i enheden efter rengøring.

Rengør de nederste filtre: Træk de nederste filtre ud, fjern derefter det bageste filter, og rengør det.

Træk forsigtigt filteret ud, og prioriter at fjerne filteret på bagpanelet før filteret på sidepanelet for at undgå vridninger eller skader. Pas på ikke at knuse nettet, og undgå at ramme nettet med skarpe genstande eller børster.

BEMÆRK! Sørg for, at filteret er monteret på sidepanelet, før du monterer filteret på bagpanelet.

Monter filteret i modsat retning af afmonteringen.

#### OPBEVARING I SLUTNINGEN AF SÆSONEN

1. Skru afløbsdækslet af, og fjern

vandproppen for at tømme kondensvandet helt ud.

BEMÆRK: Enhedens hældningsvinkel skal være  $\leq 30$  grader.

2. Lad enheden køre i blæsertilstand i en halv dag for at tørre det indvendige ordentligt op og forhindre skimmelvækst.

3. Sluk for enheden, tag stikket ud, og vikl netledningen rundt om viklingsstolpen.

4. Fjern varmeudstødningsslangen, rengør den og opbevar den korrekt.

BEMÆRK: Hold udstødningsslangen med begge hænder, når du fjerner den.

5. Skub fastgørelseselementerne på udstødningsrøret væk med tommelfingrene, og træk derefter udstødningsrøret ud.

6. Pak klimaanlægget forsvarligt ind i en blød plastpose, placer det på et tørt sted med passende støvbeskyttelse, og opbevar det utilgængeligt for børn.

7. Tag batterierne ud af fjernbetjeningen, og opbevar dem korrekt.

BEMÆRK: Sørg for, at enheden opbevares i et tørt miljø. Opbevar alt tilbehør til enheden sammen for at undgå beskadigelse eller forringelse.

## GARANTIER

To års garanti mod fabriktionsfejl. Bemærk venligst, at garantien kun er gyldig ved fremvisning af kvittering.

GEM DINE KVITTERINGER! Kvitteringer vil være påkrævet for ethvert garantikrav i perioden.

#### FÅ UDVIDET GARANTI

Få 3 års garanti ved at registrere dig på warranty-woods.com.

GEM DINE KVITTERINGER! Alle kvitteringer vil være nødvendige for ethvert garantikrav i perioden.



**FEJLFINDING**

Kontroller venligst enheden og følg nedenstående forslag, før du anmoder om professionel service. Forsøg dog aldrig selv at skille enheden ad eller reparere den, da det kan forårsage skade på dig og din ejendom. Hvis der opstår problemer, som ikke er anført i tabellen, eller hvis de anbefalede løsninger ikke virker, bedes du kontakte en professionel serviceorganisation.

PROBLEMER	ÅRSAG	AFHJÆLPNING
Enheden kan ikke starte op.	Fejl i strømforsyningen.	Slut enheden til en strømførende stikkontakt, og tænd for den.
	Vandtank fuld med tilsvarende oplyst ikon.	Tøm det vand, der er opbevaret i enheden.
	Rumtemperaturen er lavere end den indstillede temperatur i køletilstand eller højere temperatur i varmetilstand.	Sørg for, at enheden fungerer inden for det anbefalede temperaturområde. Juster den indstillede temperatur.
Utilstrækkelig afkøling.	Der er direkte sollys.	Træk gardinet for vinduet.
	Døre og vinduer står åbne, der er mange mennesker i rummet, eller der er andre varmekilder.	Luk døre og vinduer, fjern andre varmekilder, og overvej at tilføje ekstra klimaanlæg.
	Beskidt filter.	Rengør eller udskift filternettet.
	Luftindtag eller luftudtag tilstoppet.	Fjern eventuelle forhindringer.
Højt støjniveau.	Enheden er placeret på en ujævn overflade.	Stil enheden på et fladt og fast sted (kan reducere støj).
Kompressoren virker ikke.	Start af overophedningsbeskyttelse.	Vent, indtil temperaturen falder, så genstarter enheden automatisk.
Fjernbetjeningen virker ikke.	Afstand mellem enhed og fjernbetjening for stor.	Bring fjernbetjeningen tæt på klimaanlægget, og sørg for luft ved signalmodtageren på enheden.
	Fjernbetjeningen er ikke rettet mod signalmodtageren på enheden.	
	Batterierne er opbrugt.	Udskift batterierne
Koden "D7 eller E4" vises.	Beskyttelse mod frysning.	Funktionerne gendannes automatisk, når frostbeskyttelsen er overstået.
Koden "FL" vises.	Vandtanken i chassiset er fuld.	Tøm kondensvandet, og start enheden igen.

**TEKNISK SPECIFIKATION**

MODEL NO.	CORTINA XL 14K WIFI	CORTINA XL 14K DUO WIFI	CORTINA XL 18K WIFI	CORTINA XL 18K DUO WIFI
Kølekapacitet	3900W	3900W	5000W	5000W
Opvarmingskapacitet	N/A	3500W	N/A	4000W
Strømforsøg i køletilstand	1490W	1490W	1750W	1750W
Strømforsøg i opvarmningstilstand	N/A	1350W	N/A	1500W
Luftstrøm	400m <sup>3</sup> /h	400m <sup>3</sup> /h	480m <sup>3</sup> /h	480m <sup>3</sup> /h
Energiklasse	A	A	A	A
Affugtning	38L/D	38L/D	70L/D	70L/D
Indstilling af temperatur	17-30°C	17-30°C	17-30°C	17-30°C
Arbejdstemperatur	17-43°C	5-43°C	17-43°C	5-43°C
EER i køletilstand	2,6	2,6	2,6	2,6
Slangelængder	1.5M	1.5M	1.5M	1.5M
Kølemiddelgas	R290/285g	R290/285g	R290/295g	R290/295g
Lydniveau i køletilstand (LWA) (dB(A))	60-64 dB	60-64 dB	60-64 dB	60-64 dB
Lydniveau i køletilstand (LPA) (dB(A))	48-53 dB	48-53 dB	48-53 dB	48-53 dB
Nettovægt	31.5kg	33kg	27.3kg	28.3kg
Enhedens dimensioner (H×B×D)	770×440×410mm	770×440×410mm	770×440×410mm	770×440×410mm

**Tekniske ændringer og forbedringer kan forekomme. Alle værdier er omtrentlige og kan variere afhængigt af ydre omstændigheder som temperatur, ventilation og luftfugtighed.**

**Henvisning: Miljøbeskyttelse og bortskaffelse**

- Forbrugeren er ved lovkrav forpligtet til en korrekt bortskaffelse af udtjente elektroniske apparater, såsom lamper og batterier.
- Disse kan returneres gratis på offentlige indsamlingssteder eller hos forhandlere.
- Sletning af personrelaterede data er forbrugers eget ansvar.
- Lysmidler og batterier, som kan udtages uden risiko og ikke er fast installeret, skal fjernes forud til separat bortskaffelse.
- Den nationale lovgivning regulerer detaljer vedrørende lovgivningsmæssig bortskaffelse.
- Symbolet med den gennemstregede affaldstønde kendetegner udtjente elektriske apparater og batterier, som under ingen omstændigheder må bortskaffes via husholdningsaffaldet.
- Under affaldstønde stående symboler, kendetegner evt. indeholdte indholdsstoffer (bly = Pb, kviksølv = Hg, cadmium = Cd).
- Denne adskillelse er nødvendig, da batterier og elektriske apparater både er værdifulde ressourcer som også indeholder for mennesker og miljø skadelige stoffer.
- Gennem anvendelse, indsamling og genbrug af hertil egnede batterier og elektriske apparater bidrager du til bevarelse og beskyttelse af miljø og menneskers sundhed.



**TULENARKAA MATERIAALIA.**  
Laitte sisältää R290-propania, joka on helposti syttyvä kylmäaine.



Ks. käyttöohje.



Lue tekninen käsikirja.



Lue käyttöohje.

**TURVALLISUUSTIEDOT**

Lue mukana toimitetut ohjeet huolellisesti ennen laitteen asentamista ja käyttöä. Valmistaja ei ole vastuussa, jos virheellinen asennus ja käyttö aiheuttavat vammoja ja vahinkoja. Säilytä ohjeet aina laitteen kanssa myöhempää käyttöä varten.

**LASTEN JA TOIMINTAKYVYLTTÄÄN HEIKKOJEN IHMISTEN TURVALLISUUS**

**VAROITUS** ⚠  
Vamman tai pysyvän vamman riski.

Vähintään 8-vuotiaat lapset sekä henkilöt, joilla on heikentynyt fyysinen, psyykinen tai henkinen toimintakyky tai vähän kokemusta tai osaamista, voivat käyttää laitetta, jos heille on annettu ohjeet laitteen turvallisesta käytöstä ja he ymmärtävät käytön riskit. Älä anna lasten leikkiä laitteella.

Alle 3-vuotiaat lapset on pidettävä loitolla laitteesta, ellei heitä valvota jatkuvasti.

Säilytä kaikki pakkausmateriaalit poissa lasten ulottuvilta. Lapset eivät saa puhdistaa laitetta tai tehdä kunnossapitotoimia ilman valvontaa.

**YLEINEN TURVALLISUUS**

Tämä laite on tarkoitettu käytettäväksi kotitalouksissa ja vastaavissa ympäristöissä, kuten kaupoissa, toimistoissa ja muissa

työympäristöissä. Luokituskilpi sijaitsee laitteen sivulla tai takana. Pidä ilmanvaihtoaukot vapaina.

Älä nopeuta sulatusprosessia käyttämällä mekaanisia laitteita tai muita keinoja, paitsi valmistajan suosittelema. Laitetta ei saa säilyttää huoneessa, jossa on jatkuvasti toimivia sytytyslähdeitä (avotuli, käynnissä oleva kaasulaite, sähkölämmitin tms.). Ei saa puhkaista tai polttaa. Huomaa, että kylmäaineissa ei välttämättä ole tuoksua. Älä puhdistaa laitetta vesisuihkulla tai -höyryllä. Puhdista laite kostealla pehmeällä liinalla. Käytä vain neutraaleja pesuaineita. Älä käytä hankaavia tuotteita, hankaavia puhdistusainoja, liuottimia tai metalliesineitä. Jos virtajohto vahingoittuu, valmistajan, sen valtuuttaman huollon tai vastaavan pätevän henkilön on vaihdettava johto vaaran välttämiseksi.

**TURVALLISUUSOHJEET**

**VAROITUS** ⚠  
Laitteen saa asentaa vain pätevä henkilö.

Poista kaikki pakkausmateriaalit. Älä asenna tai käytä vahingoittunutta laitetta. Laitteen asennus-, käyttö- ja varastointitilan pinta-alan on oltava suurempi kuin 14 m<sup>2</sup>. Noudata ehdottomasti laitteen mukana toimitettuja asennusohjeita. Ole varovainen, kun siirät laitetta, koska se on raskas. Käytä aina suojakäsineitä.

Varmista, että ilma voi vaihtua laitteen ympärillä. Odota vähintään 4 tuntia ennen kuin kytket laitteen virtalähteeseen. Odotusaikana öljy virtaa takaisin kompressorin. Älä asenna laitetta lämpöpattereiden tai muiden lämmönlähteiden lähelle. Älä asenna laitetta suoraan auringonvaloon.

**SÄHKÖLIITÄNTÄ**

**VAROITUS** ⚠  
Tulipalon ja sähköiskun vaara.

Laitte on kytkettävä maadoitettuun pistorasiaan. Varmista, että virtalähde vastaa arvokilven sähkötietoja. Jos ei, ota yhteyttä sähköasentajaan. Käytä aina oikein asennettua iskunkestävää pistorasiaa. Älä käytä monen pistorasian jakajia tai jatkojohtoja. Varmista, ettei mikään aiheuta vaurioita sähkökomponenteille (esim. pistoke, johto). Ota yhteyttä valtuutettuun

huoltoon tai sähköasentajaan, jos sähkökomponentteihin on tarpeen tehdä muutoksia. Virtajohtoon tulee olla alempana kuin pistoke. Kytke pistoke pistorasiaan vasta asennuksen jälkeen. Varmista, että pistokkeelle on vapaa pääsy asennuksen jälkeen. Älä irrota virtajohtoa vetämällä johdosta. Irrota virtajohto aina vain pistokkeesta.

**KÄYTTÖ**

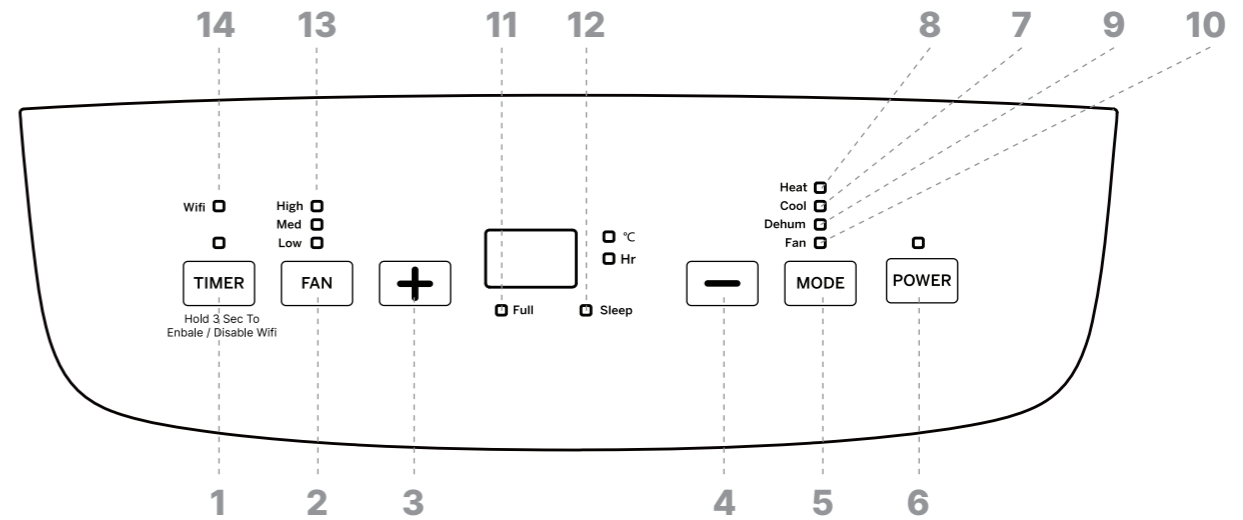
**VAROITUS** ⚠  
Vamman, palovamman, sähköiskun ja tulipalon vaara.

Älä muuta laitteen teknisiä määrittämiä. Varo vahingoittamasta kylmäainepiiriä. Se sisältää propaania (R290), luonnollista kylmäainetta, jonka ympäristövaikutukset ovat vähäiset. Kaasu on helposti syttyvä. Jos kylmäainepiiri vahingoittuu, varmista, että tilassa ei ole avotulta tai sytytyslähdeitä. Tuuleta tila. Älä laita tulenarkoja tuotteita tai helposti syttyvällä tuotteella kostutettuja esineitä laitteen lähelle tai päälle.

**HÄVITTÄMINEN**

**VAROITUS** ⚠  
Vamman vaara.

Irrota laite verkkovirrasta. Katkaise virtajohto ja hävitä se. Laitteen kylmäainepiiri ei vahingoita otsonikerrosta. Kysy paikallisilta viranomaisilta ohjeet laitteen asianmukaisesta hävittämisestä. Älä vahingoita lämmönvaihtimen lähellä olevaa jäähdytysyksikön osaa.



Kiitos ostoksestasi ja luottamuksestasi Wood'siin. Tässä käyttöoppaassa esitellään AC Cortina XL:n toimintatilat.

**Jäähdytystila:** Jäähdyttää huoneen haluttuun lämpötilaan. Jäähdytysmallien optimaalinen käyttölämpötila on 17-43°C.

**Lämmitystila:** Lämmittää huoneen haluttuun lämpötilaan. Optimaalinen käyttölämpötila sekä jäähdytys- että lämmitysmalleissa on 5-43°C. (Huom! Tämä tila on käytettävissä vain AC-mallissa, jossa on Duo/lämmitystoiminto).

**Kosteudenpoistotila:** Vähentää huoneen kosteutta.

**Tuuletintila:** Kierättää ilmaa huoneessa ilman jäähdytystä.

**KÄYTTÖOHJEET**

**TUOTTEEN OSAT (KATSO KUVA A JA B)**

1. Kaukosäätimen vastaanottonäyttö
2. Ohjauspaneeli
3. Ilman ulostulo
4. Pyörät
5. Takapaneelin ylempi suodatinkokoonpano
6. Kaapelin käämityskiinnikkeet
7. Takapaneelin alempi suodatinkokoonpano
8. Tyhjennyskansi
9. Kaukosäätimen lokero
10. Ilman tuloaukko
11. Ilman ulostulo
12. Ikkunasarjat
13. Pakokaasuletkun pyöreä liitin
14. Pakokaasuletku
15. Sovitin pakokaasuletkuun

**OHJAUSPANEELI (KS. EDELLÄ TAI KUVA C)**

1. Ajastinpainike
2. Puhaltimen nopeuspainike
3. Ylös-painike
4. Alas-painike
5. Mode-painike
6. Virtapainike
7. Jäähdytystilan merkkivalo
8. Lämmitystilan merkkivalo (HUOM! Tämä symboli on käytettävissä vain AC-mallissa, jossa on Duo/lämmitystoiminto).
9. Kosteudenpoistotilan ilmaisin
10. Tuulettimen tilan merkkivalo
11. Vesi täynnä -ilmaisin
12. Lepotilan merkkivalo
13. Tuulettimen nopeuden ilmaisin
14. Wi-Fi-ilmaisin. (HUOM! Tämä symboli on käytettävissä vain AC-mallissa, jossa on Wi-Fi/Smart Home -toiminto.)

**TOIMINTATILAT JA OHJAUSPANEELIN TOIMINNOT (KATSO KUVA C)**

**Virtapainike (6):** Paina tätä näppäintä aktivoidaksesi laitteen; melodinen ääni soi, ja laite siirtyy automaattisesti jäähdytystilaan, jonka esiasetettu lämpötila on 24 °C. Puhallin toimii keskinopeudella.

Voit poistaa laitteen käytöstä painamalla tätä näppäintä uudelleen, jolloin laitteen sammuttamisesta kuuluu melodinen ääni.

1. Kun laite on päällä, LCD-näytössä näkyy asetettu lämpötila jäähdytystilassa ja lämmitystilassa (HUOM! Lämmityssymboli on käytettävissä vain ilmastoilaitemallissa, jossa on Duo/ Lämmitys-toiminto) tai ympäristön lämpötila kosteudenpoistotilassa ja tuulettutilassa. Puhallin käynnistyy ja ilmanpoistoluukku avautuu automaattisesti.

2. Kaikki osat lakkaavat toimimasta, kun laite on pois päältä, ja poistoilmaluukku sulkeutuu automaattisesti.

**HUOMAUTUS!** Tuuletin käy vielä hetken aikaa sen jälkeen, kun kone on sammutettu.

**Mode-painike (5):** Paina "Mode"-painiketta, kun haluat selata vahvistusta varten käytettävissä olevia tiloja.

**Jäähdytystila (7):** Jäähdyttää huoneen asetettuun lämpötilaan.

**Lämmitystila (8):** Lämmittää huoneen asetettuun lämpötilaan. (HUOM! Tämä tila on käytettävissä vain AC-mallissa, jossa on Duo/lämmitystoiminto).

**Kosteudenpoistotila (9):** Vähentää huoneen kosteutta.

**Puhallintila (10):** Kierättää ja puhdistaa huoneilmaa ilman jäähdytystä.

**Alas-painike (4):** Napsauttamalla tätä voit laskea asetettua lämpötilaa tai säätää sitä alaspäin.

**Ylös-painike (3):** Napsauta painiketta säätääksesi asetettua lämpötilaa ylöspäin.

**Puhaltimen nopeuspainike (2):** Paina tuulettimen nopeuspainiketta valitaksesi tuulettimen nopeudeksi korkean, keskinopeuden tai matalan nopeuden.

**HUOMAUTUS!** Tuulettimen nopeutta ei voi säätää Kuivaus- ja Lepotilassa.

**Ajastin (1):** Paina kerran ajastintoiminnon aktivoimiseksi. Aseta tuntimäärä (1-24) painamalla + tai -. Kun näyttö lakkaa vilkkumasta, ajastin on asetettu. Voit poistaa ajastustoiminnon käytöstä painamalla ajastinpainiketta 2 kertaa.

**TOIMINNOT YHDISTETTÄESSÄ PAINIKKEITA (KATSO KUVA C)**

**Lepotoiminto (12):** Käynnistä tai peruuta SLEEP-toiminto painamalla samanaikaisesti TIMER-painiketta (1) ja Up-painiketta (3). Huomaa, että puhaltimen nopeutta ei voi säätää Sleep-toiminnossa.

- Jos Sleep-toiminto aktivoidaan jäähdytystilassa, se nostaa asetettua lämpötilaa 1 °C:lla 2 tunnin kuluttua ja lisää sitä vielä 1 °C:lla 2 tunnin kuluttua, jolloin lämpötila pysyy samana.

- Jos Sleep-toiminto on aktivoitu

lämmitystilassa (käytettävissä vain AC-mallissa, jossa on Duo/lämmitystoiminto), se laskee asetettua lämpötilaa 1 °C:lla 2 tunnin kuluttua. Sen jälkeen se laskee sitä vielä 1 °C:lla 2 tunnin kuluttua ja toimii tämän jälkeen tässä lämpötilassa. HUOMAUTUS! Lepotoiminto ei ole tehokas tuuletustilassa, kosteudenpoistotilassa.

Auto Swing -toiminto: Aktivoi tai poista Auto-Swing-toiminto painamalla samanaikaisesti TIMER-painiketta (1) ja puhaltimen nopeuspainiketta (2).

#### WIFI-TOIMINTO (14):

(Koskee vain AC-mallia, jossa on WiFi/Smart Home -toiminto.)

Wood's



1. Lataa Wood's Connect -sovellus App Storesta tai Google Playsta.

2. Rekisteröidy ja seuraa ohjeita. Hyväksy kaikki vaiheet. (Lue tietosuojakäytäntö huolellisesti, ja jos hyväksyt sopimukset, jatka napauttamalla Hyväksyn alareunassa).

3. Avaa Wood's Connect -sovellus ja paina aloitusnäytössä "Lisää laite".

4. Siirtyäksesi pariliitostilaan paina laitteen TIMER (1) -painiketta ja pidä sitä painettuna 3 sekunnin ajan, jolloin Wi-Fi-kuvake vilkkuu nopeasti näytössä.

5. Kun löydät laitteen näytöltä, paina add. Voit valita mallin myös manuaalisesti.

6. Täytä Wi-Fi-asetukset ja salasana ja paina Seuraava.

7. Lisää yksikkö painamalla +.

8. Odota, kunnes yksikkö on lisätty, ja paina sitten done.

Voit katkaista Wi-Fi-toiminnon painamalla laitteen TIMER (1) -painiketta 3 sekunnin ajan.

#### KAUKOSÄÄTIMEN TOIMINTATILAT (KATSO KUVA D)

**Teho (1):** Paina tätä painiketta käynnistääksesi yksikön, kun se on kytketty virtaan, tai pysäyttääksesi yksikön, kun se on toiminnassa.

**Mode-painike (2):** Paina tätä painiketta valitaksesi toimintatilan.

**Ylös-painike (4):** Paina ylös-painiketta lisätäksesi huonelämpötilaa ja ajastinasetusta.

**Alas-painike (5):** Alas-painiketta painamalla voit laskea huonelämpötilaa ja ajastinasetusta.

**Puhaltimen painike (6):** Paina tätä painiketta valitaksesi tuuletimen nopeuden: Alhainen, Keskisuuri, Korkea.

**Auto Swing -painike (7):** Paina tätä painiketta kytkeäksesi automaattisen swing-toiminnon päälle tai pois päältä.

**Lepopainike (8):** Paina tätä painiketta valitaksesi lepotilan tai peruuttaaksesi sen (toimii vain jäähdytys- tai lämmityskäytössä).

**Ajastinpainike (3):** Asettaa AUTO-ON-toiminnon valmiustilassa ja AUTO-OFF-toiminnon, kun laite on toiminnassa. Aikaa voidaan säätää 1-24 tunnin välillä. Voit kytkeä ajastimen pois päältä painamalla ajastinpainiketta ja asettamalla ajastimen asentoon "0".

Ennen kaukosäätimen käyttöä asenna AAA-paristot seuraavien ohjeiden mukaisesti: (KATSO KUVA D)

1. Liu'uta ja irrota varovasti kaukosäätimen takaosassa oleva paristokotelon kansi.

2. Aseta kaksi uutta AAA-alkaliparistoa niille tarkoitettuun paristolokeroon varmistaen oikea napaisuus.

3. Kiinnitä akkukansi takaisin paikalleen ja varmista, että lukituskieleke napsahtaa varmasti paikalleen.

#### HUOM!

- Käytä vain alkaliparistoja. Älä käytä ladattavia paristoja.

- Vaihda aina molemmat paristot uusiin; älä sekoita vanhoja ja uusia paristoja keskenään.

- Poista paristot kaukosäätimestä, jos ilmastointilaitetta ei käytetä pitkään aikaan.

#### KAUKOSÄÄTIMEN SÄILYTYS (KATSO KUVA E)

Aseta kaukosäädin laitteen takapuolella olevaan sisäänrakennettuun lokeroon.

HUOMAUTUS! Jotta kaukosäädin ei häviäisi, laita se säilytyspaikkaan, kun et käytä sitä.

VAROITUS: Jos akku vuotaa iholle tai vaatteisiin, pese kyseinen alue välittömästi ja perusteellisesti puhtaalla vedellä. Älä käytä kaukosäädintä, jos paristovuoto on havaittavissa. Jos paristonestettä on nieltä, hakeudu välittömästi lääkärin hoitoon.

Akuissa olevat kemikaalit voivat aiheuttaa palovammoja ja muita terveysriskejä.

## ASENNUS

#### ENNEN ENSIMMÄISTÄ KÄYTTÖÄ

Anna laitteen seistä pystyssä 4 tuntia ennen käyttöä.

Tämä ilmastointilaitte on suunniteltu kätevästi siirrettäväksi sisätiloihin. Varmista, että laite pysyy pystyssä siirron aikana. Aseta ilmastointilaitte tasaiselle alustalle. Älä asenna tai käytä tätä

ilmastointilaitetta kylpyhuoneisiin tai muihin kosteisiin tiloihin.

#### TÄRKEITÄ TIETOJA ENNEN ILMALETKUN ASENTAMISTA

Säilytä letku käytön aikana mahdollisimman lyhyenä ja mahdollisimman vähän mutkia sisältävänä, jotta painehäviö ja kapasiteettihäviö ovat mahdollisimman pienet.

Pakoletkun on pysyttävä sileänä, jotta ilmastointilaitte ei ylikuumentu ja vaurioitu. Letkun pituus on 280 mm-1500 mm. Vältä letkun pidentämistä tai vaihtamista toiseen letkuun, sillä se voi vaikuttaa toimintaan.

#### PAKOKAASULETKUASENNELMAN JA SEN SOVITTIMEN ASENNUS. (KATSO KUVA F)

1. Poista muovipussi irrottamalla pakokaasuletku, sen liitin ja sovitin pakkauksesta.

2. Pidennä pakoletkun toista päätä ja kiinnitä pyöreä liitin kääntämällä sitä vastapäivään vähintään kolme kierrosta.

3. Pidennä pakoletkun toista päätä ja kiinnitä sovitin kääntämällä sitä vastapäivään vähintään kolme kierrosta.

4. Aseta poistoletkukokoonpanon etupää takapaneelissa sijaitsevan poistoilman ulostuloaukon sille tarkoitettuun loveen. Kiinnikkeet lukitsevat pakokaasuletkuasennelman turvallisesti paikalleen.

5. Asenna poistoilmaletku laitteeseen.

HUOMAUTUS! Varmista, että sovitimen vino puoli on oikeassa suunnassa, jotta ikkunan tiivistyslevy on helppo asentaa.

Huolehdi siitä, että pakokaasuletkun liitäntä on turvallinen ja hyvässä asennossa.

#### IKKUNAN TIIVISTYSLEVYN ASENNUS (KATSO KUVA G)

1. Asenna letkukokoonpanon suorakulmainen pää ikkunan tiivistyslevykokoonpanon vastaaviin suorakulmaisiin reikiin ja kiinnitä se ruuvilla.

#### HUOM!

- Liu'uta sovittimia alaspäin ja varmista, että ne on asennettu tukevasti.

- Varmista, että vinon paneelin suunta on linjassa tiivistyslevyn suunnan kanssa.

- Varmista, että letku on mahdollisimman suora riittävän ilmanvaihdon varmistamiseksi.

2. Avaa ikkuna puoliväliin ja aseta tiivistyslevy ikkunaan joko pysty- tai vaakasuoraan.

3. Pidennä tiivistyslevyn osia ja säädä ne ikkunan pituuden mukaisiksi.

Varmista, että molemmat päät osuvat ikkunan reunoihin, ja kiinnitä se paikalleen ruuveilla.

HUOMAUTUS! Varmista, että ikkunan tiivistyslevyn molemmat päät kohtaavat ikkunan reunat tehokkaasti, jotta tiivistys on kunnollinen.

Varmista, että ruuvit on kiristetty tiukasti oikeaan asentoon.

4. Siirrä laitetta niin, että letku on asennettu ikkunan eteen, ja pidä laite vähintään 50 cm:n etäisyydellä seinistä tai muista esineistä.

#### KYTKE YKSIKÖ PÄÄLLE

Kytke laitteeseen virta pistorasiasta.

Laite on nyt käyttövalmis!

#### HUOLTO

HUOMAUTUS! Sammuta laite ja vedä pistoke ulos ennen huoltoa.

#### TYHJENNYSOHJEET (KATSO KUVA H)

Suurin osa vedestä poistuu luonnollisesti poistoletkun kautta kuuman ilman mukana.

Jos säiliö on tyhjennettävä, laite ilmoittaa siitä. (VIITTA KUVA C, täyteen-ilmaisin)

Vesisäiliön tyhjentäminen: Irrota tyhjennyskansi ja vedenpistoke, jotta vesi pääsee virtaamaan lokeroon. HUOM:

Noudata varovaisuutta vuotojen estämiseksi, jos laitetta joudutaan siirtämään. Kallista laitetta hieman taaksepäin tyhjennyksen aikana. Jos lokero ei pysty pitämään kaikkea yksiköstä tulevaa vettä, tukki tyhjennysaukko viipymättä vesivuodon estämiseksi ja lattian tai maton kastumisen välttämiseksi. Varmista, että vesitulppa ja tyhjennyskansi on asennettu tiiviisti, jotta uusi kondenssivesi ei kastele lattiaa tai mattoa, kun laite käynnistyy uudelleen.

Vesiletkun liittäminen jatkuvaa tyhjennystä varten: Ruuvaa tyhjennyskansi irti ja irrota vesitulppa. Kiinnitä 12 mm sisähalkaisijaltaan oleva vesiletku laitteen putkeen. Johda vesiletkun toinen pää viemäriin.

Varmista, että vesi pääsee valumaan alaspäin.

HUOMAUTUS: Tyhjennysletku on asennettava, kun lokerossa ei ole vettä.

On suositeltavaa, että jatkuvaa tyhjennystä ei käytetä, kun laite on jäähdytystilassa, jotta varmistetaan, että laitteen sisällä kierrätetään riittävästi vettä järjestelmän jäähdytystehon tehostamiseksi. Aseta tyhjennysletku vaikeapääsyiseen paikkaan ja varmista, ettei se ole tyhjennysaukkoa korkeammalla ja että tyhjennysletku on suora ilman mutkia. Varmista, että tyhjennyskansi ja sen tulppa on kiinnitetty asianmukaisesti, kun käytetään jatkuvaa tyhjennystä.

#### USEITA SUOJAUSTOIMINTOJA

Automaattinen sulatus: Laite sulattaa automaattisesti tarvittaessa. Sulatustilassa

näytössä näkyy D7, eikä mikään painike POWER-painiketta lukuun ottamatta ole aktiivinen.

Kompressorin suojaus: Yksikössä on kompressorin suojaustoiminto, joka aiheuttaa 3 minuutin käynnistysviiveen yksikön uudelleenikäynnistyksen jälkeen.

Veden täyttymisen varashälytys ja sammutussuojatoiminto: Kun veden määrä ylittää laitteen rungossa määritetyn hälytystason, automaattinen varoitushälytys laukeaa ja nestekidenäytössä palaa vedentäyte-kuvake. Tässä tapauksessa kondenssivesi on tyhjennettävä kohdassa "Tyhjennysohjeet" annettujen ohjeiden mukaisesti. Jos laitetta ei sammuteta manuaalisesti, se palaa automaattisesti alkuperäiseen toimintatilaansa, kun kondenssivesi on tyhjennetty kokonaan. Vaihtoehtoisesti voit käynnistää yksikön uudelleen kytkemällä virran uudelleen.

#### PINTOJEN PUHDISTUS

- Puhdista laitteen pinta märällä, pehmeällä liinalla, äläkä käytä kemiallisia liuottimia, kuten alkoholia tai bensiiniä, jotta laite ei vahingoitu.

- Puhdista likainen ilman ulostuloaukko tai säleiköt kostealla pehmeällä liinalla ja miedolla pesuaineella.

- Mitään kemiallisia liuottimia ei saa käyttää yksikön puhdistamiseen eikä niitä saa laittaa yksikön lähelle pitkäksi aikaa.

- Laitteen puhdistuksessa ei saa käyttää ohentimia, alkoholia tai muita vastaavia liuottimia.

#### PESTÄVÄN SUODATTIMEN PUHDISTUS (KATSO KUVA I)

Suodatin on puhdistettava kerran kahdessa viikossa, jotta pölykertymät eivät vaikuttaisi laitteen suorituskykyyn. Upota ja pese suodatin varovasti lämpimässä vedessä (noin 40 °C), johon on sekoitettu neutraalia puhdistusainetta. Asenna se puhdistuksen jälkeen takaisin laitteeseen.

Puhdista alemmat suodattimet: Vedä alemmat suodattimet ulos, irrota sitten takasuodatin ja puhdista se.

HUOMAUTUS! Vedä suodatin varovasti ulos siten, että poistat ensisijaisesti takapaneelin suodattimen ennen sivupaneelin suodatinta, jotta vältät vääntymisen tai vahingoittumisen. Ole varovainen, ettet purista verkkoa ja vältä verkkoon osumista terävillä esineillä tai harjoilla.

HUOMAUTUS! Varmista, että suodatin on asennettu sivupaneeliin ennen suodattimen asentamista takapaneeliin.

Asenna suodatin päinvastaiseen suuntaan kuin irrottaminen.

#### KAUDEN LOPUN VARASTOINTI

1. Ruuvaa tyhjennyskansi irti ja irrota vesitulppa, jotta kondenssivesi voidaan

tyhjentää kokonaan.

HUOMAUTUS: Laitteen kallistuskulman on oltava ≤30 astetta.

2. Käytä laitetta tuulettilassa puolen päivän ajan, jotta sisätilat kuivuvat perusteellisesti ja estävät homeen kasvun.

3. Kytke laite pois päältä, irrota se pistorasiasta ja kiedo virtajohto johdinkäänityspilarin ympärille.

4. Irrota lämmöntalteenottoletkuasennelma, puhdista se ja säilytä se asianmukaisesti.

HUOMAUTUS: Pidä pakoletkukokoonpanosta kiinni molemmin käsin, kun irrotat sitä.

5. Työnnä poistoilman ulostulon kiinnikkeet sivuun peukaloilla ja vedä sitten poistoletkukokoonpano ulos.

6. Pakkaa ilmastointilaitte tukevasti pehmeään muovipussiin, sijoita se kuivaan paikkaan, jossa on asianmukaiset pölyltä suojaavat toimenpiteet, ja pidä se poissa lasten ulottuvilta.

7. Poista paristot kaukosäätimestä ja säilytä ne asianmukaisesti.

HUOMAUTUS: Varmista, että laite säilytetään kuivassa ympäristössä. Säilytä kaikki yksikön lisävarusteet yhdessä, jotta ne eivät vahingoitu tai heikkene.

## TAKUUT

Kahden vuoden takuu valmistusvirheiden varalta. Huomaa, että takuu on voimassa vain ostokuitin esittämisen jälkeen.

SÄÄSTÄ KUITIT! Kuitit vaaditaan takuuaajan aikana esitettäviä takuuvaatimuksia varten.

#### HANKI LAAJENNETTU TAKUU

Saat 3 vuoden takuun rekisteröitymällä osoitteessa warranty-woods.com.

SÄÄSTÄ KUITIT! Kaikkia kuitteja tarvitaan takuuaajan aikana mahdollisesti esitettäviä takuuvaatimuksia varten.



### VIANMÄÄRITYS

Tarkista laite ja noudata alla olevia ehdotuksia, ennen kuin pyydät ammattitaitoista huoltoa. Älä kuitenkaan koskaan yritä purkaa tai korjata laitetta itse, sillä se voi aiheuttaa vahinkoa sinulle ja omaisuudellesi. Jos ilmenee ongelmia, joita ei ole lueteltu taulukossa, tai suositellut ratkaisut eivät toimi, ota yhteys ammattitaitoiseen huoltoliikkeeseen.

ONGELMIA	SYY	KORJAUS
Laite ei käynnisty.	Virransyöttöhäiriö.	Kytke laite jännitteeseen pistorasiaan ja käynnistä se.
	Vesisäiliö täynnä ja vastaava valaistu symboli.	Tyhjennä laitteeseen varastoitu vesi.
	Huoneen lämpötila on alhaisempi kuin asetettu lämpötila jäädytystilassa tai korkeampi lämpötila lämmitystilassa.	Varmista, että laite toimii suositellulla lämpötila-alueella. Säädä asetettu lämpötila.
Riittämätön jäädytys.	Suora auringonvalo.	Sulje ikkunaverho.
	Ovet ja ikkunat ovat auki, huone on täynnä ihmisiä tai siellä on muita lämmönlähteitä.	Sulje ovet ja ikkunat, poista muut lämmönlähteet ja harkitse lisäilmastointilaitteiden lisäämistä.
	Likainen suodatin.	Puhdista tai vaihda suodattimen verkko.
	Ilman tuloaukko tai ilman ulostulo tukossa.	Poista mahdolliset esteet.
Korkea melutaso.	Laite on sijoitettu epätasaiselle pinnalle.	Aseta laite tasaiselle ja tukevalle paikalle (voi vähentää melua).
Kompressori ei toimi.	Ylikuumenemissuojan käynnistäminen.	Odota, kunnes lämpötila laskee, laite käynnistyy automaattisesti uudelleen.
Kaukosäädin ei toimi.	Laitteen ja kaukosäätimen välinen etäisyys liian pitkä.	Vie kaukosäädin lähelle ilmastointilaitetta ja varmista, että ilma on yksikön signaalireseptorissa.
	Kaukosäädintä ei ole suunnattu yksikön signaalireseptoriin.	
	Paristot tyhjentyneet.	Vaihda paristot
Näyttöön tulee koodi "D7 tai E4".	Jäätymisenesto.	Toiminnot palautuvat automaattisesti, kun jäätymissuojaus on ohi.
"FL"-koodi tulee näkyviin.	Alustan vesisäiliö on täynnä.	Tyhjennä kondenssivesi ja käynnistä laite uudelleen.

### TEKNIikka

MALLIN NRO.	CORTINA XL 14K WIFI	CORTINA XL 14K DUO WIFI	CORTINA XL 18K WIFI	CORTINA XL 18K DUO WIFI
Jäädytysteho	3900W	3900W	5000W	5000W
Lämmitysteho	N/A	3500W	N/A	4000W
Virrankulutus jäädytystilassa	1490W	1490W	1750W	1750W
Virrankulutus lämmitystilassa	N/A	1350W	N/A	1500W
Ilmavirta	400m <sup>3</sup> /h	400m <sup>3</sup> /h	480m <sup>3</sup> /h	480m <sup>3</sup> /h
Energialuokka	A	A	A	A
Kosteudenpoisto	38L/D	38L/D	70L/D	70L/D
Lämpötilan asetus	17-30°C	17-30°C	17-30°C	17-30°C
Käyttölämpötila	17-43°C	5-43°C	17-43°C	5-43°C
EER jäädytystilassa	2,6	2,6	2,6	2,6
Letkun pituudet	1.5M	1.5M	1.5M	1.5M
Kylmäaineena oleva kaasu	R290/285g	R290/285g	R290/295g	R290/295g
Äänitaso jäädytystilassa (LWA) (dB(A))	60-64 dB	60-64 dB	60-64 dB	60-64 dB
Äänitaso jäädytystilassa (LPA) (dB(A))	48-53 dB	48-53 dB	48-53 dB	48-53 dB
Nettopaino	31.5kg	33kg	27.3kg	28.3kg
Laitteen mitat (korkeus x leveys x syvyys)	770x440x410mm	770x440x410mm	770x440x410mm	770x440x410mm

**Teknisiä muutoksia ja parannuksia voi tapahtua. Kaikki arvot ovat suuntaa-antavia, ja ne voivat vaihdella ulkoisten olosuhteiden, kuten lämpötilan, ilmanvaihdon ja kosteuden mukaan.**



#### Huomautus: Ympäristönsuojelu ja hävittäminen

- Kuluttaja on lain mukaan velvollinen huolehtimaan elektronisten laitteiden, lamppujen ja paristojen asianmukaisesta hävittämisestä, kun ne ovat tulleet käyttöikänsä päähän.
- Ne voidaan toimittaa maksutta julkisiin keräyspaikkoihin tai palauttaa takaisin myymälään.
- Kuluttajan on itse vastattava henkilökohtaisten tietojen poistamisesta.
- Lamput ja paristot, jotka voidaan poistaa ilman vaaraa ja joita ei ole asennettu kiinteästi laitteen sisään, on ensin poistettava ja toimitettava erilliseen jätteenkeräykseen.
- Oman maasi laissa on säädetty lainmukaisen hävittämisen yksityiskohdat.
- Ylivuotava jätteenä esittävä merkki tarkoittaa sähkö- ja elektroniikkalaitteita ja paristoja, joita ei missään tapauksessa saa niiden käyttöänsä päätyttyä hävittää tavallisen sekajätteen joukossa.
- Jätteen alla olevat merkit tarkoittavat laitteen mahdollisesti sisältämiä aineita (lyijy = Pb, elohopea = Hg, kadmium = Cd).
- Tämä erottelu on tarpeen, sillä paristot ja sähkö- ja elektroniikkalaitteet sisältävät sekä arvokkaita luonnonvaroja että myös ihmisille ja ympäristölle haitallisia aineita.
- Kun toimitat siihen soveltuvat paristot ja laitteet uudelleen käytettäväksi, keräykseen tai kierrätykseen, edistät sillä ympäristön ja ihmisten terveyden säilymistä ja suojelua.



**MATÉRIAU INFLAMMABLE.**  
Cet appareil contient du R290/  
Propane, un réfrigérant inflammable.



Consulter le manuel de l'opérateur.



Lire le manuel technique.



Lire le manuel de l'opérateur.

### INFORMATIONS DE SÉCURITÉ

Avant l'installation et l'utilisation de l'appareil, lire attentivement les instructions fournies. Le fabricant n'est pas responsable en cas de blessures ou de dommages découlant d'une mauvaise installation et d'une utilisation incorrecte. Toujours conserver les instructions avec l'appareil pour s'y reporter ultérieurement.

### SÉCURITÉ DES ENFANTS ET DES PERSONNES VULNÉRABLES

#### AVERTISSEMENT ⚠

Risque de blessure ou d'invalidité permanente.

Cet appareil peut être utilisé par des enfants à partir de huit ans et des personnes ayant des capacités physiques, sensorielles ou mentales réduites, ou un manque d'expérience et de connaissances, sous surveillance ou à condition d'avoir reçu des instructions concernant l'utilisation de l'appareil de manière sûre et d'avoir compris les dangers impliqués. Ne pas laisser les enfants jouer avec l'appareil.

Les enfants de moins de trois ans doivent être tenus à l'écart, à moins d'être surveillés en permanence.

Tenir tous les emballages éloignés des enfants. Le nettoyage et l'entretien ne doivent pas être effectués par des

enfants sans surveillance.

### SÉCURITÉ GÉNÉRALE

Cet appareil est destiné à être utilisé dans les ménages et les environnements similaires tels que les magasins, les bureaux et autres environnements de travail. La plaque signalétique se trouve sur le côté ou à l'arrière de l'appareil. Veillez à ce que les ouvertures de ventilation ne soient pas obstruées.

Ne pas utiliser de dispositifs mécaniques ou d'autres moyens pour accélérer le processus de dégivrage. L'appareil ne doit pas être entreposé dans une pièce dans laquelle des sources inflammables fonctionnent en permanence (flammes nues, appareil à gaz, radiateur électrique, etc.). Ne pas percer ni brûler. Tenir compte du fait que les réfrigérants n'ont pas forcément d'odeur. Ne pas utiliser de pulvérisation d'eau ni de vapeur pour nettoyer l'appareil. Nettoyer l'appareil à l'aide d'un chiffon doux humide. Utiliser uniquement des détergents neutres. Ne pas utiliser de produits abrasifs, de tissus de nettoyage abrasifs, de solvants ou d'objets métalliques. Si le cordon d'alimentation est endommagé, il doit être remplacé par le fabricant, son centre de service agréé ou des personnes qualifiées du même type pour éviter tout danger.

### CONSIGNES DE SÉCURITÉ

#### AVERTISSEMENT ⚠

Cet appareil ne doit être installé que par une personne qualifiée.

Retirer tous les emballages. Ne pas installer ni utiliser un appareil endommagé. L'appareil doit être installé, utilisé et entreposé dans une pièce d'une surface de plancher supérieure à 14 m<sup>2</sup>. Respecter scrupuleusement les instructions d'installation fournies avec l'appareil. Toujours déplacer l'appareil avec précaution car il est lourd. Toujours porter des gants de sécurité.

Veiller à ce que l'air puisse circuler autour de l'appareil. Attendre au moins 4 heures avant de brancher l'appareil à l'alimentation, afin de permettre à l'huile de revenir dans le compresseur. Ne pas installer l'appareil à proximité de radiateurs ou d'autres sources de chaleur. Ne pas installer l'appareil à la lumière directe du soleil.

### RACCORDEMENT ÉLECTRIQUE

#### AVERTISSEMENT ⚠

Risque d'incendie et de choc électrique.

L'appareil doit être raccordé à une prise de terre. S'assurer que les informations électriques de l'étiquette signalétique sont conformes à l'alimentation électrique. Si ce n'est pas le cas, contacter un électricien. Toujours utiliser une prise antichoc correctement installée. Ne pas utiliser d'adaptateurs multi-fiches ni de rallonges. Veiller à ne pas endommager les composants électriques (p. ex. fiche secteur, câble secteur). Contacter le centre de service agréé ou un électricien pour changer les composants électriques. Le câble secteur doit rester sous le niveau de la fiche secteur. Brancher la fiche secteur à la prise secteur uniquement à la fin de l'installation. Veiller à ce qu'il soit possible d'accéder à la prise de courant après l'installation. Ne pas tirer sur le câble secteur pour débrancher l'appareil. Débranchez toujours le câble d'alimentation depuis la prise.

### UTILISATION

#### AVERTISSEMENT ⚠

Risque de blessures, de brûlures, de chocs électriques ou d'incendie.

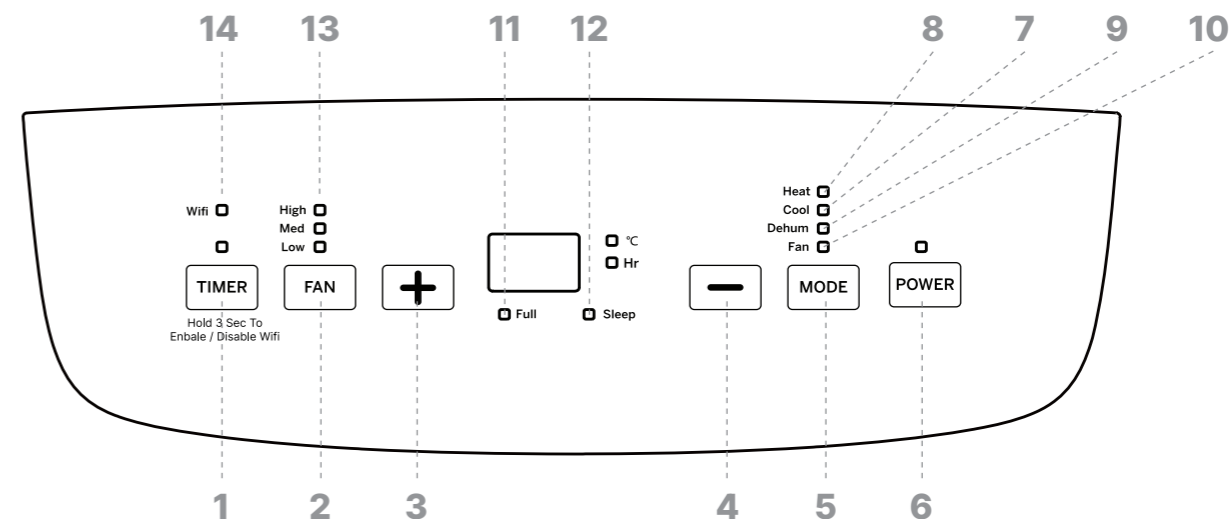
Ne pas changer la spécification de cet appareil. Veiller à ne pas endommager le circuit de réfrigérant. Il contient du propane (R290), un gaz naturel ayant un niveau élevé de compatibilité environnementale. Ce gaz est inflammable. Si le circuit de réfrigérant est endommagé, vérifier qu'il n'y a pas de flammes ni de sources d'inflammation dans la pièce. Ventiler la pièce. Ne pas placer de produits inflammables ou d'objets imbibés de produits inflammables près de l'appareil ou dessus.

### MISE AU REBUT

#### AVERTISSEMENT ⚠

Risque de blessure.

Débrancher l'appareil de l'alimentation secteur. Couper le câble secteur et le mettre au rebut. Le circuit de réfrigérant de cet appareil est sans danger pour la couche d'ozone. Contacter l'autorité municipale pour savoir comment mettre correctement l'appareil au rebut. Ne pas endommager la partie de l'unité de réfrigération qui se trouve près de l'échangeur de chaleur.



Nous vous remercions de votre achat et de la confiance que vous accordez à Wood's. Ce manuel vous présente les modes de fonctionnement de l'AC Cortina XL.

**Mode Refroidissement :** Refroidit la pièce à la température souhaitée. La température ambiante optimale pour les modèles de refroidissement est comprise entre 17 et 43°C.

**Mode chauffage :** Chauffe la pièce à la température souhaitée. La température ambiante optimale pour les modèles de refroidissement et de chauffage est comprise entre 5 et 43°C. (Remarque ! Ce mode n'est disponible que sur le modèle AC avec fonction Duo/chauffage).

**Mode déshumidification :** Réduit l'humidité dans la pièce.

**Mode ventilateur :** Fait circuler l'air dans la pièce sans la refroidir.

## INSTRUCTIONS D'UTILISATION

### PARTIES DU PRODUIT (VOIR IMAGES A ET B)

1. Fenêtre de réception de la télécommande
2. Panneau de contrôle
3. Sortie d'air
4. Roues
5. Filtre supérieur du panneau arrière
6. Supports d'enroulement du câble
7. Filtre inférieur du panneau arrière
8. Couvercle de vidange
9. Compartiment de la télécommande
10. Entrée d'air
11. Sortie d'air
12. Kits de fenêtres
13. Raccord rond du tuyau d'échappement
14. Tuyau d'échappement

15. Adaptateur pour tuyau d'échappement

### PANNEAU DE CONTRÔLE (VOIR CI-DESSUS OU IMAGE C)

1. Bouton de minuterie
2. Bouton de vitesse du ventilateur
3. Bouton haut
4. Bouton bas
5. Bouton de mode
6. Bouton d'alimentation
7. Indicateur de mode de refroidissement
8. Indicateur de mode de chauffage (NOTE ! Ce symbole n'est disponible que sur le modèle AC avec la fonction Duo/chauffage).
9. Indicateur de mode de déshumidification
10. Indicateur de mode de ventilation
11. Indicateur d'eau pleine
12. Indicateur de mode veille
13. Indicateur de vitesse du ventilateur
14. Indicateur Wi-Fi. (REMARQUE ! Ce symbole n'est disponible que sur le modèle AC avec fonction Wi-Fi/Smart Home).

### MODES DE FONCTIONNEMENT ET FONCTIONS DU PANNEAU DE CONTRÔLE (VOIR IMAGE C)

**Bouton d'alimentation (6) :** Appuyez sur cette touche pour activer l'appareil ; un son se fait entendre et l'appareil passe automatiquement en mode refroidissement avec une température pré-réglée de 24°C. Le ventilateur fonctionne à vitesse moyenne.

Pour désactiver l'appareil, appuyez à nouveau sur cette touche et un son signalera son arrêt.

1. Lorsque l'appareil est en marche, la fenêtre LCD affiche la température programmée en mode Refroidissement et en mode Chauffage (REMARQUE ! Le symbole Chauffage n'est disponible que sur le modèle AC avec fonction Duo/Chauffage) ou la température ambiante

en mode Déshumidification et en mode Ventilation. Le ventilateur se met en marche et la fenêtre de sortie d'air s'ouvre automatiquement.

2. Toutes les modes s'arrêtent de fonctionner lorsque l'appareil est éteint, et la fenêtre de sortie d'air se ferme automatiquement.

REMARQUE : Le ventilateur continue de fonctionner pendant une courte période après l'arrêt de la machine.

**Bouton Mode (5) :** Appuyez sur la touche "Mode" pour faire défiler les modes disponibles pour confirmation.

- **Mode Refroidissement (7) :** Refroidit la pièce à la température réglée.

- **Mode chauffage (8) :** Chauffe la pièce à la température réglée. (REMARQUE ! Ce mode n'est disponible que sur le modèle AC avec fonction Duo/chauffage).

- **Mode déshumidification (9) :** Réduit l'humidité dans la pièce.

- **Mode ventilateur (10) :** Fait circuler et purifie l'air de la pièce sans refroidissement.

**Bouton de réglage vers le bas (4) :** Cliquez sur ce bouton pour diminuer la température de consigne ou régler la température vers le bas.

**Bouton d'augmentation (3) :** Cliquez sur le bouton pour ajuster la température de consigne vers le haut.

**Bouton de vitesse du ventilateur (2) :** Appuyez sur la touche de vitesse du ventilateur pour sélectionner la vitesse du ventilateur (élevée, moyenne ou faible).

REMARQUE ! La vitesse du ventilateur ne peut pas être réglée en modes Déshumidification et Veille.

**Minuterie (1) :** Appuyez une fois sur cette touche pour activer la fonction de minuterie. Réglez le nombre d'heures (1-24) en appuyant sur + ou -. Lorsque l'écran cesse de clignoter, la minuterie est activée. Pour désactiver la fonction, appuyez 2 fois sur le bouton de la minuterie.

## FONCTIONS LORS DE LA COMBINAISON DES BOUTONS (VOIR IMAGE C)

**Fonction sommeil (12) :** Lancez ou annulez la fonction SLEEP en appuyant simultanément sur la touche TIMER (1) et sur la touche Up (3). Veuillez noter que la vitesse du ventilateur n'est pas réglable en fonction sommeil.

- Si la fonction Veille est activée en mode Refroidissement, elle augmente la température de consigne de 1°C au bout de 2 heures, puis de 1°C supplémentaire au bout de 2 autres heures, en maintenant le fonctionnement à cette température.

- Si la fonction Sommeil est activée en mode Chauffage (disponible uniquement sur le modèle AC avec fonction Duo/ chauffage), elle abaisse la température de consigne de 1°C au bout de 2 heures. Elle la diminue ensuite de 1°C supplémentaire au bout de 2 heures et la maintient à cette température par la suite. REMARQUE ! La fonction sommeil est inactive en mode ventilateur et en mode déshumidification.

Fonction Auto Swing : Activez ou désactivez la fonction Auto-Swing en appuyant simultanément sur la touche TIMER (1) et sur la touche Fan speed (2).

Wood's

## FONCTION WIFI (14) :



(Uniquement applicable au modèle AC avec fonctionnalité WiFi/Smart Home).

- Téléchargez l'application Wood's Connect sur l'App Store ou Google Play.
- Enregistrez-vous et suivez les instructions. Acceptez toutes les étapes. (Lisez attentivement la politique de confidentialité et si vous acceptez celle-ci, appuyez sur le bouton "Accepter" pour continuer).
- Ouvrez l'application Wood's Connect et sur l'écran d'accueil, appuyez sur "ajouter un appareil".
- Pour entrer en mode d'appairage, appuyez sur le bouton TIMER (1) de l'appareil et maintenez-le enfoncé pendant 3 secondes pour voir l'icône Wi-Fi clignoter rapidement sur l'écran.
- Lorsque l'appareil apparaît sur l'écran, appuyez sur ajouter. Vous pouvez également choisir le modèle manuellement.
- Renseignez vos paramètres Wi-Fi et votre mot de passe, puis appuyez sur suivant.

7. Appuyez sur + pour ajouter l'unité.

8. Attendez que l'unité soit ajoutée, puis appuyez sur "done".

Pour déconnecter la fonction Wi-Fi, appuyez sur la touche TIMER (1) de l'appareil pendant 3 secondes.

## MODES DE FONCTIONNEMENT DE LA TELECOMMANDE (VOIR IMAGE D)

**Alimentation (1) :** Appuyez sur ce bouton pour démarrer l'appareil lorsqu'il est sous tension ou pour l'arrêter lorsqu'il est en fonctionnement.

**Bouton de mode (2) :** Appuyez sur cette touche pour sélectionner le mode de fonctionnement.

**Bouton d'augmentation (4) :** Appuyez sur la touche "up" pour augmenter la température ambiante et le réglage de la minuterie.

**Bouton de descente (5) :** Appuyez sur le bouton vers le bas pour diminuer la température ambiante et le réglage de la minuterie.

**Bouton du ventilateur (6) :** Appuyez sur ce bouton pour sélectionner la vitesse du ventilateur : Basse, Moyenne, Haute.

**Bouton Auto Swing (7) :** Appuyez sur cette touche pour activer ou désactiver la fonction de balancement automatique.

**Bouton de mise en veille (8) :** Appuyez sur cette touche pour sélectionner ou annuler le mode veille (efficace uniquement en mode refroidissement ou chauffage).

**Bouton de minuterie (3) :** Permet de régler la fonction AUTO-ON en mode veille et AUTO-OFF lorsque l'appareil fonctionne. La durée peut être réglée entre 1 et 24 heures. Pour désactiver la minuterie, appuyez sur la touche de minuterie et réglez la minuterie sur "0".

Avant d'utiliser la télécommande, installez les piles AAA en suivant les étapes suivantes : (VOIR IMAGE D)

1. Faites glisser et retirez délicatement le couvercle des piles situé à l'arrière de la télécommande.

2. Insérez deux nouvelles piles alcalines AAA dans le compartiment prévu à cet effet, en respectant la polarité.

3. Remettez le couvercle de la batterie en place, en veillant à ce que la languette de verrouillage s'enclenche fermement.

## REMARQUE !

- Utiliser uniquement des piles alcalines. Ne pas utiliser de piles rechargeables.

- Remplacez toujours les deux piles par des neuves ; ne mélangez pas les anciennes et les nouvelles.

- Retirez les piles de la télécommande si le climatiseur n'est pas utilisé pendant une période prolongée.

## STOCKAGE DE LA TÉLÉCOMMANDE (VOIR IMAGE E)

Insérez la télécommande dans un compartiment intégré au dos de l'appareil.

REMARQUE ! Pour éviter de perdre la télécommande, veuillez la ranger dans le compartiment de rangement lorsque vous ne l'utilisez pas.

AVERTISSEMENT : En cas de fuite de la pile sur votre peau ou vos vêtements, lavez rapidement la zone affectée à l'eau claire. N'utilisez pas la télécommande s'il y a des signes de fuite de la pile. En cas d'ingestion du liquide de la pile, consultez immédiatement un médecin.

Les produits chimiques présents dans les piles peuvent présenter des risques tels que des brûlures et d'autres dangers pour la santé.

## INSTALLATION

### AVANT LA PREMIÈRE UTILISATION

Laisser l'appareil en position verticale pendant 4 heures avant de l'utiliser.

Ce climatiseur est conçu pour être facilement déplacé à l'intérieur. Veillez à ce que l'appareil reste droit pendant le déplacement. Placez le climatiseur sur une surface plane. N'installez pas et ne faites pas fonctionner ce climatiseur dans des salles de bains ou d'autres environnements humides.

### INFORMATIONS IMPORTANTES AVANT L'INSTALLATION DU TUYAU D'AIR

Pendant le fonctionnement, le tuyau doit être aussi court et comporter aussi peu de coudes que possible afin de minimiser la perte de charge et la perte de capacité.

Le tuyau d'évacuation doit rester droit (sans coude) pour éviter une surchauffe et des dommages potentiels au climatiseur. Le tuyau a une longueur de 280 mm-1500 mm. Ne pas rallonger le tuyau ou remplacer par un autre tuyau, ce qui pourrait affecter le fonctionnement.

### INSTALLATION DU TUYAU D'ÉVACUATION ET DE SON ADAPTATEUR. (VOIR IMAGE F)

1. Retirez le sac en plastique en extrayant le tuyau d'évacuation, son connecteur et l'adaptateur de l'emballage.

2. Déployez une extrémité du tuyau d'évacuation et fixez le raccord rond en le tournant dans le sens inverse des aiguilles d'une montre pendant au moins trois tours.

3. Déployer l'autre extrémité du tuyau d'évacuation et fixer l'adaptateur en le tournant dans le sens inverse des aiguilles d'une montre pendant au moins trois tours.

4. Placez l'extrémité avant du tuyau d'évacuation sur l'encoche désignée de la sortie d'air d'évacuation située sur le panneau arrière. Les attaches bloquent solidement le tuyau d'évacuation en place.

5. Installer le tuyau d'évacuation d'air sur l'appareil.

NOTE ! Veillez à ce que le côté incliné de l'adaptateur soit correctement orienté pour faciliter l'installation de la plaque d'étanchéité de la fenêtre.

Veillez à ce que le tuyau d'évacuation soit bien fixé et bien positionné.

### INSTALLATION DE LA PLAQUE D'ÉTANCHÉITÉ DE LA FENÊTRE (VOIR IMAGE G)

1. Installer l'extrémité rectangulaire du tuyau dans les trous rectangulaires correspondants de la plaque d'étanchéité de la fenêtre et la fixer à l'aide d'une vis.

#### REMARQUE !

- Faites glisser les adaptateurs vers le bas, en vous assurant qu'ils sont bien installés.

- Vérifier que le sens du panneau incliné est aligné sur le sens de la plaque d'étanchéité.

- Veillez à ce que le tuyau soit le plus droit possible afin de garantir une ventilation adéquate.

2. Ouvrez la fenêtre à moitié et insérez la plaque d'étanchéité dans la fenêtre, en la positionnant verticalement ou horizontalement.

3. Déployer les pièces de la plaque d'étanchéité et les ajuster à la longueur de la fenêtre.

Veillez à ce que les deux extrémités rejoignent les bords de la fenêtre et fixez-les à l'aide de vis.

REMARQUE ! Assurez-vous que les deux extrémités de la plaque d'étanchéité de la fenêtre rejoignent bien les bords de la fenêtre pour assurer une bonne étanchéité.

Assurez-vous que les vis sont bien serrées dans la bonne position.

4. Déplacez l'appareil avec le tuyau monté devant la fenêtre et maintenez l'appareil à une distance d'au moins 50 cm des murs ou d'autres objets.

### METTRE L'APPAREIL SOUS TENSION

Pour alimenter l'appareil, branchez-le.

L'appareil est maintenant prêt à l'emploi !

### ENTRETIEN

NOTE ! Éteignez l'appareil et débranchez la prise avant de procéder à l'entretien.

### INSTRUCTION DE DRAINAGE (VOIR IMAGE H)

La plus grande partie de l'eau sera évacuée naturellement par le tuyau d'évacuation avec l'air chaud.

Si vous devez vider le réservoir, l'appareil vous le signalera. (VOIR IMAGE C, Indicateur de niveau plein)

Pour vider le réservoir d'eau : Dévisser le couvercle de vidange et débrancher la prise d'eau pour permettre à l'eau de

s'écouler dans le bac. REMARQUE :

Soyez prudent pour éviter les fuites si l'appareil doit être déplacé. Inclinez légèrement l'appareil vers l'arrière pendant la vidange. Si le bac ne peut contenir toute l'eau de l'appareil, obturez rapidement l'orifice de vidange afin d'éviter toute fuite d'eau et de ne pas mouiller le sol ou la moquette. Veillez à ce que le bouchon d'eau et le couvercle de vidange soient bien installés pour éviter que de l'eau de condensation ne mouille le sol ou la moquette lors du redémarrage de l'appareil.

Raccordement d'un tuyau d'eau pour une vidange continue : Dévissez le couvercle de vidange et retirez le bouchon d'eau. Fixez un tuyau d'eau de 12 mm de diamètre intérieur au tuyau de l'appareil. Dirigez l'autre extrémité du tuyau d'arrosage vers un point d'évacuation.

Veillez à ce que l'eau puisse être évacuée vers le bas.

NOTE : Un tuyau de vidange doit être installé lorsqu'il n'y a pas d'eau dans le bac.

Il est recommandé de ne pas utiliser la vidange continue lorsque l'appareil est en mode Refroidissement afin de garantir que suffisamment d'eau soit recyclée dans l'appareil pour améliorer les effets de refroidissement du système. Placez le tuyau de vidange dans un endroit inaccessible, en veillant à ce qu'il ne soit pas placé plus haut que l'orifice de vidange, et veillez à ce que le tuyau de vidange soit droit, sans aucun coude. Veillez à ce que le couvercle de l'orifice de vidange et son bouchon soient correctement fixés en cas de vidange continue.

### FONCTIONS DE PROTECTION MULTIPLES

Dégivrage automatique : L'appareil se dégivre automatiquement lorsque cela est nécessaire. En mode dégivrage, l'écran affiche D7 et aucune touche, à l'exception de la touche POWER, n'est active.

Protection du compresseur : L'appareil est doté d'une fonction de protection du compresseur qui entraîne un délai de démarrage de 3 minutes après le redémarrage de l'appareil.

Alarme de sécurité en cas de manque d'eau et fonction de protection contre l'arrêt : Lorsque le volume d'eau dépasse le niveau d'alarme désigné dans le châssis de l'appareil, une alerte automatique est déclenchée, accompagnée de l'illumination de l'icône de l'eau pleine sur l'écran LCD. Dans ce cas, il est nécessaire d'évacuer l'eau de condensation en suivant les instructions fournies dans la section "Instructions d'évacuation". Si l'appareil n'est pas arrêté manuellement, il reviendra automatiquement à son état de fonctionnement initial une fois que l'eau condensée sera complètement évacuée. Il est également possible de rebrancher l'appareil pour le redémarrer.

### NETTOYAGE DE SURFACE

- Nettoyez la surface de l'appareil avec un chiffon doux et humide et n'utilisez pas de solvants chimiques tels que l'alcool ou l'essence pour éviter tout dommage.

- Nettoyez la sortie d'air ou les grilles encrassées à l'aide d'un chiffon doux humide et d'un détergent doux.

- Il est interdit d'utiliser tout solvant chimique pour le nettoyage de l'unité ou de placer de tels produits à proximité de l'unité pendant une longue période.

- Il est interdit d'utiliser des diluants, des alcools ou des solvants similaires pour le nettoyage de l'appareil.

### NETTOYAGE DU FILTRE LAVABLE (VOIR IMAGE I)

Il est essentiel de nettoyer le filtre toutes les deux semaines pour éviter que les performances de l'appareil ne soient affectées par l'accumulation de poussière. Immergez et lavez délicatement le filtre dans de l'eau chaude (environ 40°C) mélangée à un nettoyant neutre. Après le nettoyage, remettez-le en place sur l'appareil.

Nettoyez les filtres inférieurs : Retirez les filtres inférieurs, puis le filtre arrière et nettoyez-le.

REMARQUE ! Retirez doucement le filtre, en donnant la priorité au filtre du panneau arrière avant celui du panneau latéral, afin d'éviter toute torsion ou tout dommage. Veillez à ne pas écraser les mailles et à ne pas les heurter avec des objets pointus ou des brosses.

NOTE ! Assurez-vous que le filtre est installé sur le panneau latéral avant d'installer le filtre sur le panneau arrière.

Remonter le filtre dans le sens inverse de la dépose.

### STOCKAGE DE FIN DE SAISON

1. Dévissez le couvercle de vidange et retirez le bouchon d'eau pour vidanger complètement l'eau de condensation.

NOTE : L'angle d'inclinaison de l'appareil doit être  $\leq 30$  degrés.

2. Faites fonctionner l'appareil en mode ventilation pendant une demi-journée afin de sécher complètement l'intérieur et d'empêcher la formation de moisissures.

3. Éteindre l'appareil, le débrancher, enrouler le cordon d'alimentation autour de la colonne d'enroulement.

4. Retirez le tuyau d'évacuation de la chaleur, nettoyez-le et rangez-le correctement.

REMARQUE : Tenir l'ensemble du tuyau d'évacuation avec les deux mains lors du démontage.

5. Écarter les fixations de la sortie d'air d'évacuation à l'aide des pouces, puis retirer le tuyau d'évacuation.

6. Emballez soigneusement le climatiseur dans un sac en plastique souple, placez-le

dans un endroit sec et protégé contre la poussière, et gardez-le hors de portée des enfants.

7. Retirez les piles de la télécommande et rangez-les correctement.

REMARQUE : Veillez à ce que l'appareil soit stocké dans un environnement sec. Protéger collectivement tous les accessoires de l'appareil pour éviter qu'ils ne soient endommagés ou détériorés.

## GARANTIES

Garantie de deux ans contre les défauts de fabrication. Veuillez noter que la garantie n'est valable que sur présentation d'un reçu d'achat.

## RECHERCHE DE PANNES

Veillez vérifier l'appareil et suivre les suggestions ci-dessous avant de demander l'intervention d'un professionnel. Toutefois, n'essayez jamais de démonter ou de réparer l'appareil vous-même, car vous pourriez vous blesser ou endommager vos biens. Si des problèmes non répertoriés dans le tableau surviennent ou si les solutions recommandées ne fonctionnent pas, veuillez contacter un organisme de service professionnel.

PROBLÈMES	CAUSE	REMÈDE
L'appareil ne démarre pas.	Défaillance de l'alimentation électrique.	Branchez l'appareil sur une prise de courant et mettez-le en marche.
	Réservoir d'eau plein avec icône lumineuse correspondante.	Videz l'eau stockée dans l'appareil.
	La température de la pièce est inférieure à la température réglée en mode Refroidissement ou supérieure en mode Chauffage.	Assurez-vous que l'appareil fonctionne dans la plage de température recommandée. Réglez la température de consigne.
Refroidissement insuffisant.	La lumière du soleil est directe.	Fermez le rideau de la fenêtre.
	Les portes et les fenêtres sont ouvertes, la pièce est encombrée ou il y a d'autres sources de chaleur.	Fermez les portes et les fenêtres, supprimez les autres sources de chaleur et envisagez d'ajouter des climatiseurs supplémentaires.
	Filtre encrassé.	Nettoyez ou remplacez les mailles du filtre.
	L'entrée ou la sortie d'air est obstruée.	Éliminez tout obstacle.
Niveau sonore élevé.	L'appareil est placé sur une surface irrégulière.	Placez l'appareil à un endroit plat et stable (peut réduire le bruit).
Le compresseur ne fonctionne pas.	Déclenchement de la protection contre la surchauffe.	Attendez que la température diminue, l'appareil redémarre automatiquement.
La télécommande ne fonctionne pas.	La distance entre l'appareil et la télécommande est trop longue.	Approchez la télécommande du climatiseur et veillez à ce que l'air arrive au récepteur de signal de l'appareil.
	La télécommande n'est pas orientée vers le récepteur de signal de l'appareil.	
	Les piles sont épuisées.	Remplacez les piles
Le code "D7 ou E4" s'affiche.	Protection antigel.	Les fonctions se rétablissent automatiquement lorsque la protection antigel est terminée.
Le code "FL" s'affiche.	Le réservoir d'eau du châssis est plein.	Videz le condensat et redémarrez l'appareil.

CONSERVEZ VOS REÇUS ! Les reçus seront exigés pour toute réclamation au titre de la garantie pendant cette période.

### OBTENIR UNE EXTENSION DE GARANTIE

Bénéficiez d'une garantie de 3 ans en vous enregistrant sur warranty-woods.com.

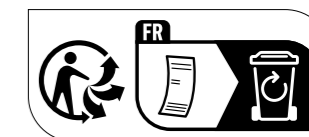
CONSERVEZ VOS REÇUS ! Tous les reçus seront exigés pour toute réclamation au titre de la garantie pendant cette période.



## SPÉCIFICATIONS TECHNIQUES

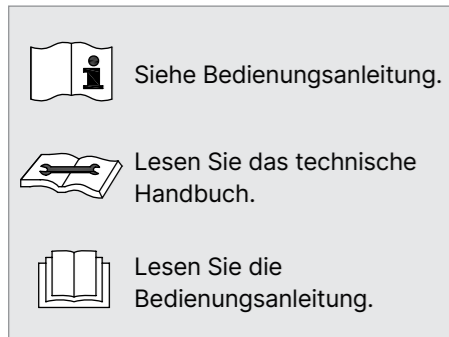
MODÈLE NO.	CORTINA XL 14K WIFI	CORTINA XL 14K DUO WIFI	CORTINA XL 18K WIFI	CORTINA XL 18K DUO WIFI
Capacité de refroidissement	3900W	3900W	5000W	5000W
Capacité de chauffage	N/A	3500W	N/A	4000W
Consommation électrique en mode refroidissement	1490W	1490W	1750W	1750W
Consommation électrique en mode chauffage	N/A	1350W	N/A	1500W
Débit d'air	400m³/h	400m³/h	480m³/h	480m³/h
Classe énergétique	A	A	A	A
Déshumidification	38L/D	38L/D	70L/D	70L/D
Réglage de la température	17-30°C	17-30°C	17-30°C	17-30°C
Condition d'utilisation	17-43°C	5-43°C	17-43°C	5-43°C
EER en mode refroidissement	2,6	2,6	2,6	2,6
Longueur des tuyaux	1.5M	1.5M	1.5M	1.5M
Gaz réfrigérant	R290/285g	R290/285g	R290/295g	R290/295g
Niveau sonore en mode refroidissement (LWA) (dB(A))	60-64 dB	60-64 dB	60-64 dB	60-64 dB
Niveau sonore en mode refroidissement (LPA) (dB(A))	48-53 dB	48-53 dB	48-53 dB	48-53 dB
Poids net	31.5kg	33kg	27.3kg	28.3kg
Dimensions de l'appareil (H×L×P)	770×440×410mm	770×440×410mm	770×440×410mm	770×440×410mm

**Des modifications et des améliorations techniques peuvent survenir. Toutes les valeurs sont approximatives et peuvent varier en fonction de circonstances extérieures telles que la température, la ventilation et l'humidité.**



### Remarque : protection de l'environnement et élimination

- Le consommateur est légalement tenu de se débarrasser des appareils électroniques, des lampes et des piles en bonne et due forme à la fin de leur durée de vie.
- Ceux-ci peuvent être retournés gratuitement dans les points de collecte publics ou auprès des commerçants.
- La suppression des données personnelles relève de la responsabilité du consommateur.
- Les ampoules et les piles qui peuvent être retirées sans danger et qui ne sont pas fixées doivent être préalablement retirées pour être éliminées séparément.
- Le droit national régit les détails de l'élimination conforme au droit.
- Les appareils électriques et piles avec un symbole de poubelle barrée ne doivent en aucun cas être jetés avec les ordures ménagères après leur durée de vie.
- Les symboles apposés sous la poubelle indiquent les substances éventuellement contenues (plomb = Pb, mercure = Hg, cadmium = Cd).
- Ce tri est nécessaire, car les piles et les appareils électriques sont à la fois des ressources précieuses et contiennent des substances nocives pour l'homme et son environnement.
- En valorisant, collectant et réutilisant les piles et les appareils électriques adaptés à cet effet, vous contribuez à la préservation et à la protection de l'environnement et de la santé humaine.



**SICHERHEITSINFORMATIONEN**

Lesen Sie vor der Installation und Nutzung des Geräts die Bedienungsanleitung sorgfältig durch. Bei Verletzungen oder Schäden aufgrund einer unsachgemäßen Installation bzw. Verwendung übernimmt der Hersteller keine Haftung. Die Anleitung ist zusammen mit dem Gerät aufzubewahren, damit jederzeit darauf zurückgegriffen werden kann.

**SCHUTZ VON KINDERN UND SCHUTZBEDÜRFTIGEN PERSONEN**

**WARNUNG** ⚠ Verletzungsgefahr oder drohende Dauerinvalidität.

Dieses Gerät kann von Kindern ab acht Jahren und Personen mit eingeschränkten körperlichen, sensorischen oder geistigen Fähigkeiten oder mangelnden Erfahrungen und Kenntnissen benutzt werden, sofern sie in der sicheren Handhabung der Geräte unterwiesen wurden und die damit verbundenen Gefahren verstehen bzw. unter entsprechender Aufsicht stehen. Kinder nicht mit dem Gerät spielen lassen!

Kinder unter drei Jahren sind vom Gerät fernzuhalten, sofern sie nicht ständig beaufsichtigt werden.

Sämtliches Verpackungsmaterial von Kindern fernhalten. Kinder dürfen die Reinigung und Wartung nur unter

Aufsicht durchführen.

**ALLGEMEINE SICHERHEIT**

Dieses Gerät ist für die Verwendung in Haushalten und ähnlichen Umgebungen wie Geschäften, Büros und anderen Arbeitsumgebungen vorgesehen. Das Typenschild befindet sich an der Seite oder Rückseite des Geräts. Halten Sie die Lüftungsöffnungen frei von Hindernissen.

Als Abtauhilfen dürfen ausschließlich die vom Hersteller empfohlenen Vorrichtungen verwendet werden – keine mechanischen oder sonstigen Geräte. Das Gerät nicht in Räumen mit kontinuierlich betriebenen Zündquellen (offene Flammen, laufende Gasgeräte, im Einsatz befindliche Elektroheizgeräte usw.) lagern. Das Gerät nicht durchstechen oder in Brand setzen. Kältemittel können geruchlos sein. Gerät nicht mit Wasserstrahl oder Dampf reinigen. Gerät mit einem feuchten, weichen Tuch reinigen. Nur neutrale Reinigungsmittel benutzen. Keine Scheuermittel, Scheuerschwämme, Lösungsmittel oder Metallgegenstände verwenden. Bei einer Beschädigung des Netzkabels muss der Austausch aus Sicherheitsgründen durch den Hersteller, durch ein offizielles Servicecenter oder durch Fachpersonal erfolgen.

**SICHERHEITSHINWEISE**

**WARNUNG** ⚠ Das Gerät darf nur von einer entsprechend qualifizierten Person installiert werden.

Das gesamte Verpackungsmaterial entfernen. Ein beschädigtes Gerät darf weder installiert noch verwendet werden. Installation, Betrieb und Lagerung des Geräts sind nur in Räumen mit einer Mindestfläche von 14 m<sup>2</sup> zulässig. Die beiliegende Installationsanleitung ist strikt zu befolgen. Das Gerät ist schwer – Vorsicht beim Transport und beim Umstellen. Immer Schutzhandschuhe tragen.

Darauf achten, dass um das Gerät herum unbehinderte Luftzirkulation möglich ist. Vor dem Anschließen ans Netz mindestens 4 Stunden warten. In dieser Zeit kann das Öl zurück in den Kompressor fließen. Das Gerät nicht in der Nähe von Heizkörpern oder anderen Wärmequellen aufstellen. Das Gerät nicht an einem Ort mit direkter Sonneneinstrahlung aufstellen.

**ELEKTRISCHER ANSCHLUSS**

**WARNUNG** ⚠ Brand- und Stromschlaggefahr.

Das Gerät muss an eine geerdete

Steckdose angeschlossen werden. Darauf achten, dass die elektrischen Angaben auf dem Typenschild mit dem Netzanschluss übereinstimmen. Sollte dies nicht der Fall sein, ist eine Elektrofachkraft hinzuzuziehen. Der Anschluss muss an eine sachgerecht installierte, VDE-zugelassene Steckdose erfolgen. Mehrfachsteckdosenleisten und Verlängerungskabel sind unzulässig. Darauf achten, dass die elektrischen Komponenten (z. B. Stecker, Netzkabel) nicht beschädigt werden. Falls ein elektrisches Bauteil ausgetauscht werden muss, ein autorisiertes Servicezentrum oder einen Elektriker beauftragen. Das Kabel muss unter der Steckerhöhe verbleiben. Der Stecker darf erst am Ende der Installation an die Steckdose angeschlossen werden. Der Stecker muss nach der Installation zugänglich sein. Zum Trennen der Stromversorgung nicht am Netzkabel ziehen. Beim Ausstecken des Netzkabels immer nur am Stecker ziehen.

**BETRIEB**

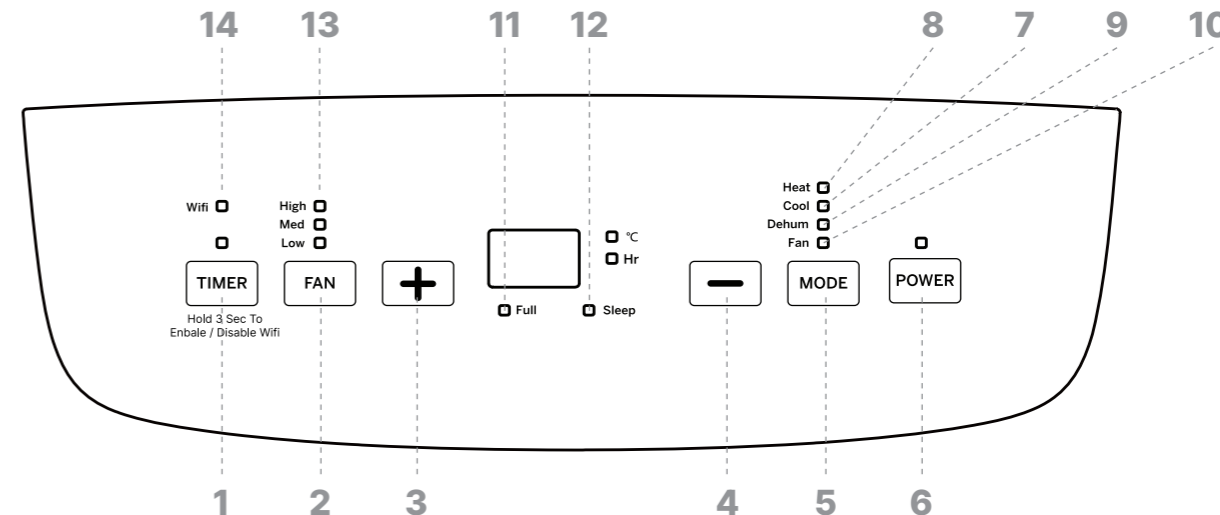
**WARNUNG** ⚠ Verletzungs-, Verbrennungs-, Stromschlag- und Brandgefahr.

Gerät nur innerhalb der angegebenen Spezifikationen betreiben und keine Veränderungen am Gerät vornehmen. Darauf achten, dass der Kältemittelkreislauf nicht beschädigt wird. Der Kreislauf enthält das umweltverträgliche Erdgas Propan (R290). Es ist brennbar. Sollte der Kältemittelkreislauf beschädigt werden, sofort sicherstellen, dass es im Raum weder offenes Feuer noch Zündquellen gibt. Den Raum lüften. Keine entflammaren Produkte oder mit entflammaren Produkten benetzten Gegenstände auf das Gerät oder in dessen Nähe stellen.

**ENTSORGUNG**

**WARNUNG** ⚠ Verletzungsgefahr!

Den Netzstecker des Geräts abziehen. Netzkabel abschneiden und entsorgen. Der Kältemittelkreislauf des Geräts ist ozonverträglich. Hinweise zur korrekten Entsorgung des Geräts gibt die Behörde vor Ort. Der Teil der Kühleinheit unmittelbar neben dem Wärmetauscher darf nicht beschädigt werden.



Wir danken Ihnen für Ihren Kauf und Ihr Vertrauen in Wood's. Dieses Handbuch macht Sie mit den Betriebsarten des AC Cortina XL vertraut.

**Modus Kühlen:** Kühlt den Raum auf die gewünschte Temperatur. Die optimale Umgebungstemperatur für Kühlmodelle liegt bei 17-43°C.

**Heizmodus:** Erwärmt den Raum auf die gewünschte Temperatur. Die optimale Umgebungstemperatur liegt sowohl für Kühl- als auch für Heizmodelle bei 5-43°C. (Hinweis! Dieser Modus ist nur beim AC-Modell mit Duo/Heizfunktion verfügbar).

**Entfeuchtungsmodus:** Reduziert die Luftfeuchtigkeit im Raum.

**Ventilator-Modus:** Zirkuliert die Luft im Raum, ohne zu kühlen.

**BETRIEBSANLEITUNG**

**PRODUKTTEILE (SIEHE BILD A UND B)**

- Empfangsfenster der Fernbedienung
- Bedienfeld
- Luftauslass
- Räder
- Obere Filterbaugruppe der Rückwand
- Halterungen für die Kabelaufwicklung
- Untere Filterbaugruppe der Rückwand
- Abdeckung des Abflusses
- Fach für die Fernbedienung
- Lufteinlass
- Luftauslass
- Fenster-Bausätze
- Runder Anschluss des Abluftschlauch
- Abluftschlauch
- Adapter auf Abluftschlauch

**BEDIENFELD (SIEHE OBEN ODER BILD C)**

- Timer-Taste

- Taste für die Lüftergeschwindigkeit
- Aufwärts-Taste
- Abwärts-Taste
- Modus-Taste
- Einschalttaste
- Anzeige für den Kühlmodus
- Anzeige des Heizmodus (HINWEIS! Dieses Symbol ist nur beim AC-Modell mit Duo/Heizfunktion verfügbar).
- Anzeige des Entfeuchtungsmodus
- Anzeige des Gebläsemodus
- Wasser-Voll-Anzeige
- Schlafmodus-Anzeige
- Anzeige der Lüftergeschwindigkeit
- Wi-Fi-Anzeige. (HINWEIS: Dieses Symbol ist nur beim AC-Modell mit Wi-Fi/Smart Home-Funktion verfügbar).

**BETRIEBSARTEN UND BEDIENFELDFUNKTIONEN (SIEHE ABBILDUNG C)**

**Einschalttaste (6):** Drücken Sie diese Taste, um das Gerät einzuschalten; es ertönt ein melodischer Ton, und das Gerät schaltet automatisch in den Kühlmodus mit einer voreingestellten Temperatur von 24°C. Der Ventilator läuft mit mittlerer Geschwindigkeit.

Um das Gerät zu deaktivieren, drücken Sie diese Taste erneut, woraufhin ein melodischer Ton das Abschalten signalisiert.

1. Wenn das Gerät eingeschaltet ist, zeigt das LCD-Fenster die eingestellte Temperatur im Kühlmodus und im Heizmodus (HINWEIS! Das Heizsymbol ist nur beim AC-Modell mit Duo/Heizfunktion verfügbar) oder die Umgebungstemperatur im Entfeuchtungsmodus und im Ventilatormodus an. Das Gebläse beginnt zu laufen, und das Luftauslassfenster öffnet sich automatisch.

2. Wenn das Gerät ausgeschaltet ist, sind alle Teile außer Betrieb, und

das Luftauslassfenster schließt sich automatisch.

**ACHTUNG!** Der Ventilator läuft nach dem Ausschalten des Geräts noch eine kurze Zeit weiter.

**Taste "Modus" (5):** Drücken Sie die "Mode"-Taste, um die verfügbaren Modi zur Bestätigung zu durchlaufen.

**Modus Kühlen (7):** Kühlt den Raum auf die eingestellte Temperatur.

**Heizmodus (8):** Beheizt den Raum auf die eingestellte Temperatur. (HINWEIS! Dieser Modus ist nur beim AC-Modell mit Duo/Heizfunktion verfügbar).

**Entfeuchtungsmodus (9):** Reduziert die Luftfeuchtigkeit im Raum.

**Ventilator-Modus (10):** Zirkuliert und reinigt die Luft im Raum, ohne zu kühlen.

**Abwärts-Taste (4):** Tippen Sie darauf, um die eingestellte Temperatur zu verringern oder nach unten zu korrigieren.

**Taste Aufwärts (3):** Tippen Sie auf die Taste, um die eingestellte Temperatur nach oben zu korrigieren.

**Taste Gebläsedrehzahl (2):** Drücken Sie die Taste für die Gebläsegeschwindigkeit, um die Gebläsegeschwindigkeit auf hohe, mittlere oder niedrige Geschwindigkeit einzustellen.

HINWEIS: Die Lüftergeschwindigkeit kann in den Modi Entfeuchten und Ruhezustand nicht eingestellt werden.

**Timer (1):** Drücken Sie einmal, um die Timer-Funktion zu aktivieren. Stellen Sie die Anzahl der Stunden (1-24) durch Drücken von + oder - ein. Wenn die Anzeige aufhört zu blinken, ist der Timer eingestellt. Zum Deaktivieren drücken Sie die Timer-Taste zweimal.

**FUNKTIONEN BEI DER KOMBINATION VON TASTEN (SIEHE BILD C)**

**Einschlaf-Funktion (12):** Aktivieren oder deaktivieren Sie die SLEEP-Funktion durch gleichzeitiges Drücken der TIMER-Taste (1) und der Aufwärts-Taste (3). Bitte beachten

Sie, dass die Lüftergeschwindigkeit in der Sleep-Funktion nicht einstellbar ist.

- Wenn die Sleep-Funktion im Kühlmodus aktiviert ist, wird die eingestellte Temperatur nach 2 Stunden um 1°C erhöht und nach weiteren 2 Stunden um weitere 1°C, wobei diese Temperatur beibehalten wird.

- Wenn die Sleep-Funktion im Heizmodus aktiviert ist (nur beim AC-Modell mit Duo/Heizfunktion), wird die eingestellte Temperatur nach 2 Stunden um 1°C gesenkt. Nach weiteren 2 Stunden wird die Temperatur um weitere 1°C gesenkt und danach auf dieser Temperatur gehalten. HINWEIS: Im Gebläse- und Entfeuchtungsmodus ist die Schlaffunktion unwirksam.

Auto-Swing-Funktion: Aktivieren oder deaktivieren Sie Auto-Swing durch gleichzeitiges Drücken der TIMER-Taste (1) und der Gebläsegeschwindigkeitstaste (2).

## WIFI-FUNKTION (14):

(Gilt nur für das AC-Modell mit WiFi/Smart Home-Funktion.)



1. Laden Sie die Wood's Connect App aus dem App Store oder von Google Play herunter.

2. Registrieren Sie sich und folgen Sie den Anweisungen. Akzeptieren Sie alle Schritte. (Lesen Sie die Datenschutzerklärung sorgfältig durch und tippen Sie, wenn Sie mit den Vereinbarungen einverstanden sind, unten auf "Zustimmen", um fortzufahren).

3. Öffnen Sie die Wood's Connect App und drücken Sie auf dem Startbildschirm auf "Gerät hinzufügen".

4. Um in den Kopplungsmodus zu gelangen, halten Sie die Taste TIMER (1) am Gerät 3 Sekunden lang gedrückt, bis das Wi-Fi-Symbol auf dem Display schnell blinkt.

5. Wenn Sie das Gerät auf dem Bildschirm entdecken, drücken Sie auf Hinzufügen. Sie können das Modell auch manuell auswählen.

6. Geben Sie Ihre Wi-Fi-Einstellungen und Ihr Passwort ein und drücken Sie auf Weiter.

7. Drücken Sie +, um die Einheit hinzuzufügen.

8. Warten Sie, bis die Einheit hinzugefügt wurde, und drücken Sie dann auf Fertig.

Um die Wi-Fi-Funktion zu deaktivieren, drücken Sie die Taste TIMER (1) am Gerät für 3 Sekunden.

## BETRIEBSARTEN DER FERNBEDIENUNG (SIEHE ABBILDUNG D)

**Strom (1):** Drücken Sie diese Taste, um das Gerät zu starten, wenn es eingeschaltet ist, oder um es zu stoppen, wenn es in Betrieb ist.

**Modus-Taste (2):** Drücken Sie diese Taste, um den Betriebsmodus auszuwählen.

**Aufwärts-Taste (4):** Drücken Sie die Aufwärtstaste, um die Raumtemperatur und die Timer-Einstellung zu erhöhen.

**Abwärts-Taste (5):** Drücken Sie die Abwärtstaste, um die Raumtemperatur und die Timer-Einstellung zu verringern.

**Gebläsetaste (6):** Drücken Sie diese Taste, um die Lüftergeschwindigkeit auszuwählen: Niedrig, Mittel, Hoch.

**Taste Auto Swing (7):** Drücken Sie diese Taste, um die Auto-Swing-Funktion zu aktivieren oder zu deaktivieren.

**Taste Sleep (8):** Drücken Sie diese Taste, um den Schlafmodus zu aktivieren oder zu deaktivieren (nur im Kühl- oder Heizbetrieb wirksam).

**Timer-Taste (3):** Zum Einstellen der Funktion AUTO-ON im Standby-Modus und AUTO-OFF, wenn das Gerät in Betrieb ist. Die Zeit kann zwischen 1-24 Stunden eingestellt werden. Um den Timer auszuschalten, drücken Sie die Timer-Taste und stellen Sie den Timer auf "0".

Legen Sie die AAA-Batterien wie folgt ein, bevor Sie die Fernbedienung verwenden: (SIEHE ABBILDUNG D)

1. Schieben Sie die Batterieabdeckung auf der Rückseite der Fernbedienung vorsichtig heraus.

2. Legen Sie zwei neue AAA-Alkalibatterien in das dafür vorgesehene Batteriefach ein und achten Sie dabei auf die richtige Polarität.

3. Bringen Sie die Batterieabdeckung wieder an und achten Sie darauf, dass die Verriegelungsglasche sicher einrastet.

HINWEIS!

- Verwenden Sie nur Alkalibatterien. Verwenden Sie keine wiederaufladbaren Batterien.

- Ersetzen Sie immer beide Batterien durch neue; mischen Sie nicht alte und neue Batterien.

- Nehmen Sie die Batterien aus der Fernbedienung heraus, wenn das Klimagerät längere Zeit nicht benutzt wird.

## SPEICHERUNG DER FERNBEDIENUNG (SIEHE BILD E)

Legen Sie die Fernbedienung in ein integriertes Fach auf der Rückseite des Geräts.

HINWEIS: Um den Verlust der Fernbedienung zu vermeiden, legen Sie sie bitte in den Aufbewahrungsort, wenn Sie sie nicht benutzen.

WARNUNG: Falls eine Batterie auf Ihre Haut oder Kleidung ausläuft, waschen Sie die betroffene Stelle sofort gründlich mit klarem Wasser. Verwenden Sie die Fernbedienung nicht mehr, wenn Anzeichen für ein Auslaufen der Batterie vorliegen. Suchen Sie im Falle des Verschluckens von Batterieflüssigkeit sofort einen Arzt auf.

Die in Batterien enthaltenen Chemikalien können Risiken wie Verbrennungen und andere Gesundheitsgefahren mit sich bringen.

## INSTALLATION

### VOR DER ERSTEN BENUTZUNG

Lassen Sie das Gerät vor dem Betrieb 4 Stunden lang aufrecht stehen.

Dieses Klimagerät ist für einen bequemen Standortwechsel in Innenräumen konzipiert. Stellen Sie sicher, dass das Gerät während des Transports aufrecht bleibt. Stellen Sie das Klimagerät auf eine ebene Fläche. Installieren oder betreiben Sie dieses Klimagerät nicht in Badezimmern oder anderen feuchten Umgebungen.

### WICHTIGE INFORMATIONEN VOR DER MONTAGE DES LUFTSCHLAUCHS

Halten Sie den Schlauch während des Betriebs so kurz und so wenig gebogen wie möglich, um den Druckabfall und den Kapazitätsverlust zu minimieren.

Der Abluftschlauch muss glatt bleiben, um Überhitzung und mögliche Schäden an der Klimaanlage zu vermeiden. Der Schlauch hat eine Länge von 280 mm-1500 mm. Vermeiden Sie es, den Schlauch zu verlängern oder durch einen anderen Schlauch zu ersetzen, da dies den Betrieb beeinträchtigen kann.

### EINBAU DES ABLUFTSCHLAUCH UND SEINES ADAPTERS. (SIEHE BILD F)

1. Entfernen Sie die Plastiktüte, indem Sie den Abluftschlauch, sein Verbindungsstück und den Adapter aus der Verpackung nehmen.

2. Ziehen Sie ein Ende des Abluftschlauch heraus und befestigen Sie das runde Verbindungsstück, indem Sie es mindestens drei Umdrehungen gegen den Uhrzeigersinn drehen.

3. Ziehen Sie das andere Ende des Abluftschlauch heraus und befestigen Sie den Adapter, indem Sie ihn mindestens drei Umdrehungen gegen den Uhrzeigersinn drehen.

4. Setzen Sie das vordere Ende des Abluftschlauch in die dafür vorgesehene Aussparung des Abluftauslasses an der Rückwand. Die Befestigungselemente

arretieren die Abgasschlaucheinheit sicher an ihrem Platz.

5. Bringen Sie den Abluftschlauch am Gerät an.

HINWEIS: Achten Sie auf die korrekte Ausrichtung der abgeschrägten Seite des Adapters, um die Montage der Fensterdichtungsplatte zu erleichtern.

Sorgen Sie für einen sicheren und gut positionierten Anschluss des Abluftschlauch.

### EINBAU DER FENSTERDICHTUNGSPLATTE (SIEHE BILD G)

1. Setzen Sie das rechteckige Ende der Schlauchleitung in die entsprechenden rechteckigen Löcher in der Fensterdichtungsplatte ein und befestigen Sie es mit einer Schraube.

HINWEIS!

- Schieben Sie die Adapter nach unten und vergewissern Sie sich, dass sie fest installiert sind.

- Stellen Sie sicher, dass die Richtung der schrägen Platte mit der Richtung der Dichtungsplatte übereinstimmt.

- Achten Sie darauf, dass der Schlauch so gerade wie möglich ist, um eine ausreichende Belüftung zu gewährleisten.

2. Öffnen Sie das Fenster zur Hälfte und setzen Sie die Dichtungsplatte in das Fenster ein, indem Sie sie entweder vertikal oder horizontal positionieren.

3. Ziehen Sie die Teile der Dichtungsplatte aus und passen Sie sie an die Länge des Fensters an.

Vergewissern Sie sich, dass beide Enden an den Fensterkanten anliegen, und befestigen Sie sie mit Schrauben.

HINWEIS: Vergewissern Sie sich, dass beide Enden der Fensterdichtungsplatte gut an den Fensterkanten anliegen, um eine gute Abdichtung zu gewährleisten.

Vergewissern Sie sich, dass die Schrauben in der richtigen Position fest angezogen sind.

4. Bewegen Sie das Gerät mit dem vor dem Fenster montierten Schlauch und halten Sie einen Abstand von mindestens 50 cm zu Wänden oder anderen Gegenständen ein.

### DAS GERÄT EINSCHALTEN

Um das Gerät mit Strom zu versorgen, schließen Sie es an.

Das Gerät ist jetzt einsatzbereit!

### WARTUNG

HINWEIS: Schalten Sie das Gerät vor der Wartung aus und ziehen Sie den Stecker.

### ENTWÄSSERUNGSANLEITUNG (SIEHE BILD H)

Das meiste Wasser wird auf natürliche Weise mit der heißen Luft durch den Abluftschlauch abgeleitet.

Wenn Sie den Tank entleeren müssen, wird das Gerät Sie darauf hinweisen. (siehe BILD C, Vollanzeige)

So leeren Sie den Wassertank: Schrauben Sie den Ablassdeckel ab und ziehen Sie den Wasserstopfen heraus, damit das Wasser in die Schale fließen kann. HINWEIS:

Seien Sie vorsichtig, um Leckagen zu vermeiden, wenn das Gerät bewegt werden muss. Kippen Sie das Gerät beim Entleeren leicht nach hinten. Wenn die Auffangwanne nicht das gesamte Wasser aus dem Gerät aufnehmen kann, verstopfen Sie umgehend die Abflussöffnung, um ein Auslaufen des Wassers zu verhindern und zu vermeiden, dass der Boden oder Teppich nass wird. Vergewissern Sie sich, dass der Wasserstopfen und der Ablassdeckel fest installiert sind, um zu verhindern, dass neues Kondenswasser den Boden oder den Teppich nass macht, wenn das Gerät wieder in Betrieb genommen wird.

Anschließen eines Wasserschlauchs zur kontinuierlichen Entwässerung: Schrauben Sie den Ablaufdeckel ab und entfernen Sie den Wasserstopfen. Schließen Sie einen Wasserschlauch mit 12 mm Innendurchmesser an das Rohr am Gerät an. Führen Sie das andere Ende des Wasserschlauchs zu einem Abfluss.

Achten Sie darauf, dass das Wasser nach unten abfließen kann.

HINWEIS: Wenn sich kein Wasser in der Wanne befindet, muss ein Ablaufschlauch installiert werden.

Es wird empfohlen, im Kühlmodus des Geräts keinen kontinuierlichen Abfluss zu verwenden, um sicherzustellen, dass genügend Wasser im Gerät umgewälzt wird, um die Kühlwirkung des Systems zu verbessern. Platzieren Sie den Abflussschlauch an einer unzugänglichen Stelle und achten Sie darauf, dass er nicht höher als die Abflussöffnung liegt. Vergewissern Sie sich, dass der Abflussdeckel und sein Stopfen ordnungsgemäß gesichert sind, wenn eine kontinuierliche Entwässerung verwendet wird.

### MEHRERE SCHUTZFUNKTIONEN

Automatische Abtaugung: Das Gerät wird bei Bedarf automatisch abgetaut. Im Abtaubetrieb zeigt das Display D7 an, und außer der POWER-Taste sind keine Tasten aktiv.

Kompressorschutz: Das Gerät verfügt über eine Kompressorschutzfunktion, die nach dem Neustart des Geräts eine 3-minütige Startverzögerung bewirkt.

Sicherheitsalarm bei vollem Wasserstand und Abschaltfunktion: Wenn das Wasservolumen im Gehäuse des Geräts den festgelegten Alarmwert überschreitet, wird automatisch ein Warnhinweis

ausgelöst, und das Symbol für "Wasser voll" leuchtet auf der LCD-Anzeige auf. In diesem Fall muss das Kondenswasser gemäß den Anweisungen im Abschnitt "Anweisungen zum Ablassen" abgelassen werden. Wenn das Gerät nicht manuell abgeschaltet wird, kehrt es automatisch in seinen ursprünglichen Betriebszustand zurück, sobald das Kondenswasser vollständig abgelassen wurde. Alternativ kann das Gerät durch Wiedereinschalten der Stromversorgung neu gestartet werden.

### OBERFLÄCHENREINIGUNG

- Reinigen Sie die Oberfläche des Geräts mit einem feuchten, weichen Tuch, und verwenden Sie keine chemischen Lösungsmittel wie Alkohol oder Benzin, um Schäden zu vermeiden.

- Reinigen Sie den verschmutzten Luftauslass oder die Lüftungsschlitze mit einem feuchten, weichen Tuch und einem milden Reinigungsmittel.

- Es ist verboten, chemische Lösungsmittel für die Reinigung des Geräts zu verwenden oder solche Dinge für längere Zeit in die Nähe des Geräts zu bringen.

- Verdünner, Spiritus oder ähnliche Lösungsmittel sind für die Reinigung des Geräts verboten.

### WASCHBARE FILTERREINIGUNG (SIEHE BILD I)

Es ist wichtig, den Filter alle zwei Wochen zu reinigen, damit die Leistung des Geräts nicht durch Staubansammlungen beeinträchtigt wird. Tauchen Sie den Filter in warmes Wasser (ca. 40°C), das mit einem neutralen Reinigungsmittel vermischt ist, und waschen Sie ihn vorsichtig aus. Nach der Reinigung setzen Sie ihn wieder in das Gerät ein.

Reinigen Sie die unteren Filter: Ziehen Sie die unteren Filter heraus, entfernen Sie dann den hinteren Filter und reinigen Sie ihn.

HINWEIS: Ziehen Sie den Filter vorsichtig heraus und entfernen Sie zuerst den Rückwandfilter und dann den Seitenwandfilter, um Verdrehungen oder Beschädigungen zu vermeiden. Achten Sie darauf, das Gewebe nicht zu quetschen und vermeiden Sie es, das Gewebe mit scharfen Gegenständen oder Bürsten zu berühren.

HINWEIS: Vergewissern Sie sich, dass der Filter an der Seitenwand installiert ist, bevor Sie den Filter an der Rückwand installieren.

Setzen Sie den Filter in der entgegengesetzten Richtung des Ausbaus ein.

### SAISON-EINLAGERUNG

1. Schrauben Sie den Ablassdeckel ab und entfernen Sie den Wasserstopfen, um das Kondenswasser vollständig abzulassen.

HINWEIS: Der Neigungswinkel des Geräts muss  $\leq 30$  Grad sein.

2. Betreiben Sie das Gerät einen halben Tag lang im Ventilatorbetrieb, um den Innenraum gründlich zu trocknen und Schimmelbildung zu verhindern.

3. Schalten Sie das Gerät aus, ziehen Sie den Netzstecker und wickeln Sie das Netzkabel um den Drahtwickelpfeiler.

4. Entfernen Sie das Wärmeabzugsschlauchsystem, reinigen Sie es und lagern Sie es ordnungsgemäß.

HINWEIS: Halten Sie den Abluftschlauch beim Abnehmen mit beiden Händen fest.

5. Drücken Sie die Befestigungen am Abluftauslass mit den Daumen zur Seite und ziehen Sie dann den Abluftschlauch heraus.

6. Verpacken Sie das Klimagerät sicher in einer weichen Plastiktüte, stellen Sie es an einem trockenen Ort mit geeigneten Staubschutzmaßnahmen auf und bewahren Sie es außerhalb der Reichweite von Kindern auf.

7. Nehmen Sie die Batterien aus der Fernbedienung und bewahren Sie sie

ordnungsgemäß auf.

HINWEIS: Stellen Sie sicher, dass das Gerät in einer trockenen Umgebung gelagert wird. Bewahren Sie alle Zubehörteile des Geräts gemeinsam auf, um eine Beschädigung oder Verschlechterung zu verhindern.

## GARANTIEN

Zwei Jahre Garantie auf Herstellungsfehler. Bitte beachten Sie, dass die Garantie nur gegen Vorlage eines Kaufbelegs gültig ist. **HEBEN SIE IHRE QUITTUNGEN AUF!** Die Quittungen werden für jeden Garantieanspruch während des Zeitraums benötigt.

### GARANTIEVERLÄNGERUNG ERHALTEN

Holen Sie sich eine 3-Jahres-Garantie, indem Sie sich unter [warranty-woods.com](http://warranty-woods.com) registrieren.

**HEBEN SIE IHRE QUITTUNGEN AUF!** Alle Quittungen werden für jeden Garantieanspruch während des Zeitraums benötigt.



## FEHLERSUCHE

Bitte überprüfen Sie das Gerät und befolgen Sie die nachstehenden Vorschläge, bevor Sie einen professionellen Service anfordern. Versuchen Sie jedoch niemals, das Gerät selbst zu zerlegen oder zu reparieren, da dies zu Schäden an Ihnen und Ihrem Eigentum führen kann. Sollten Probleme auftreten, die nicht in der Tabelle aufgeführt sind, oder sollten die empfohlenen Lösungen nicht funktionieren, wenden Sie sich bitte an eine professionelle Serviceorganisation.

PROBLEME	URSACHE	ABHILFE
Das Gerät lässt sich nicht einschalten.	Ausfall der Stromversorgung.	Schließen Sie das Gerät an eine stromführende Steckdose an und schalten Sie es ein.
	Wassertank voll mit entsprechendem Leuchtsymbol.	Lassen Sie das im Gerät gespeicherte Wasser ab.
	Die Raumtemperatur ist niedriger als die eingestellte Temperatur im Kühlmodus oder höher als die Temperatur im Heizmodus.	Stellen Sie sicher, dass das Gerät innerhalb des empfohlenen Temperaturbereichs arbeitet. Passen Sie die eingestellte Temperatur an.
Unzureichende Kühlung.	Es gibt direktes Sonnenlicht.	Schließen Sie den Fenstervorhang.
	Die Türen und Fenster sind geöffnet, der Raum ist überfüllt oder es gibt andere Wärmequellen.	Schließen Sie Türen und Fenster, entfernen Sie andere Wärmequellen und erwägen Sie den Einbau zusätzlicher Klimageräte.
	Verschmutzter Filter.	Reinigen oder ersetzen Sie das Filtergewebe.
Hoher Geräuschpegel.	Luftinlass oder Luftauslass verstopft.	Entfernen Sie alle Hindernisse.
	Das Gerät wird auf einer unebenen Fläche aufgestellt.	Stellen Sie das Gerät an einem flachen und festen Ort auf (kann Geräusche reduzieren)
Der Kompressor funktioniert nicht.	Auslösung des Überhitzungsschutzes.	Warten Sie, bis die Temperatur gesunken ist, das Gerät startet dann automatisch neu.
Die Fernbedienung funktioniert nicht.	Abstand zwischen Gerät und Fernbedienung zu groß.	Bringen Sie die Fernbedienung in die Nähe des Klimageräts und stellen Sie sicher, dass die Luft am Signalempfänger des Geräts ankommt.
	Die Fernbedienung ist nicht auf den Signalempfänger am Gerät gerichtet.	
	Die Batterien sind erschöpft.	Ersetzen Sie die Batterien
Der Code "D7 oder E4" wird angezeigt.	Anti-Frost-Schutz.	Die Funktionen werden nach Ablauf des Frostschutzes automatisch wiederhergestellt.
Der Code "FL" wird angezeigt.	Der Wassertank im Fahrgestell ist voll.	Lassen Sie das Kondensat ab und nehmen Sie das Gerät wieder in Betrieb.

## TECHNISCHE SPEZIFIKATION

MODELL NR.	CORTINA XL 14K WIFI	CORTINA XL 14K DUO WIFI	CORTINA XL 18K WIFI	CORTINA XL 18K DUO WIFI
Kühlleistung	3900W	3900W	5000W	5000W
Heizleistung	N/A	3500W	N/A	4000W
Stromverbrauch im Kühlbetrieb	1490W	1490W	1750W	1750W
Stromverbrauch im Heizmodus	N/A	1350W	N/A	1500W
Luftstrom	400m <sup>3</sup> /h	400m <sup>3</sup> /h	480m <sup>3</sup> /h	480m <sup>3</sup> /h
Energieklasse	A	A	A	A
Entfeuchtung	38L/D	38L/D	70L/D	70L/D
Einstellung der Temperatur	17-30°C	17-30°C	17-30°C	17-30°C
Arbeitstemperatur	17-43°C	5-43°C	17-43°C	5-43°C
EER im Kühlbetrieb	2,6	2,6	2,6	2,6
Schlauchlängen	1.5M	1.5M	1.5M	1.5M
Kältemittelgas	R290/285g	R290/285g	R290/295g	R290/295g
Schallpegel im Kühlbetrieb (LWA) (dB(A))	60-64 dB	60-64 dB	60-64 dB	60-64 dB
Schallpegel im Kühlbetrieb (LPA) (dB(A))	48-53 dB	48-53 dB	48-53 dB	48-53 dB
Nettogewicht	31.5kg	33kg	27.3kg	28.3kg
Abmessungen des Geräts (HxBxT)	770x440x410mm	770x440x410mm	770x440x410mm	770x440x410mm

**Technische Änderungen und Verbesserungen sind möglich. Alle Werte sind Näherungswerte und können je nach äußeren Umständen wie Temperatur, Belüftung und Feuchtigkeit variieren.**



### Hinweis: Umweltschutz und Entsorgung

- Der Verbraucher ist gesetzlich dazu verpflichtet, elektronische Geräte, Lampen und Batterien am Ende ihrer Lebensdauer ordnungsgemäß zu entsorgen.
- An den öffentlichen Sammelstellen oder bei Händlern können diese unentgeltlich zurückgegeben werden.
- Die Löschung der Personenbezogenen Daten liegt in der Eigenverantwortung des Verbrauchers.
- Leuchtmittel und Batterien, welche gefahrlos entnommen werden können und nicht fest verbaut sind, müssen zur separaten Entsorgung vorab entnommen werden.
- Das Landesrecht regelt die Details der rechtskonformen Entsorgung.
- Die Kennzeichnung mit der durchgestrichenen Mülltonne markiert Elektrogeräte und Batterien, die nach ihrer Lebensdauer auf keinen Fall im Hausmüll entsorgt werden dürfen.
- Unter der Mülltonne angebrachte Symbole, kennzeichnen evtl. enthaltene Inhaltsstoffe (Blei = Pb, Quecksilber = Hg, Cadmium = Cd).
- Diese Trennung ist nötig, da Batterien und Elektrogeräte sowohl wertvolle Ressourcen sind als auch für den Menschen und seine Umwelt schädliche Stoffe enthalten.
- Durch Verwertung, Sammlung und Wiederverwendung der hierfür geeigneten Batterien und Elektrogeräte tragen Sie zum Erhalt und Schutz der Umwelt und der menschlichen Gesundheit bei.

**MATERIAL INFLAMABLE.**

Este electrodoméstico contiene R290/propano, un refrigerante inflamable.



Consulte el Manual del operador.



Lea el manual técnico.



Consulte el Manual del operador.

**INFORMACIÓN DE SEGURIDAD**

Antes de la instalación y uso del electrodoméstico, lea detenidamente las instrucciones suministradas. El fabricante no es responsable de las lesiones y los daños provocados como consecuencia de una instalación y un uso incorrectos. Guarde siempre las instrucciones con el electrodoméstico para consultarlas en el futuro.

**SEGURIDAD DE LOS NIÑOS Y DE LAS PERSONAS VULNERABLES****ADVERTENCIA**

Riesgo de lesiones o incapacidad permanente.

Este electrodoméstico puede ser utilizado por niños desde los ocho años y personas con capacidades físicas, sensoriales o mentales reducidas o falta de experiencia y conocimientos si se les ha dado supervisión o instrucciones sobre el uso del electrodoméstico de forma segura y comprenden los riesgos que implica. No permita que los niños jueguen con el electrodoméstico.

Los niños menores de tres años deben mantenerse alejados, a menos que estén continuamente supervisados.

Mantenga todo el embalaje lejos de los niños. La limpieza y las tareas de mantenimiento por parte del usuario no las deben realizar niños sin supervisión.

**SEGURIDAD GENERAL**

Este aparato está diseñado para su uso en hogares y entornos similares, como tiendas, oficinas y otros entornos de trabajo. La placa de características se encuentra en la parte lateral o posterior del aparato. Mantenga las aberturas de ventilación libres de obstrucciones.

A excepción de los recomendados por el fabricante, no utilice dispositivos mecánicos ni otros medios para acelerar el proceso de descongelación. El electrodoméstico no debe guardarse en una estancia en la que haya fuentes de ignición funcionando continuamente (llamas abiertas, un aparato de gas en funcionamiento, un calentador eléctrico en funcionamiento, etc.). No lo perfore ni lo queme. Tenga en cuenta que es posible que los refrigerantes no tengan olor. No utilice agua pulverizada ni vapor para limpiar el electrodoméstico. Limpie el electrodoméstico con un paño suave y húmedo. Utilice solo productos neutros. No utilice productos abrasivos, almohadillas de limpieza abrasivas, disolventes ni objetos metálicos. Si el cable de corriente está dañado, debe ser sustituido por el fabricante, por su Centro de servicio autorizado o por personas de cualificación similar a fin de evitar riesgos.

**INSTRUCCIONES DE SEGURIDAD****ADVERTENCIA**

Solo una persona cualificada puede instalar este electrodoméstico.

Retire todo el material de embalaje. No instale ni utilice un electrodoméstico dañado. El electrodoméstico debe instalarse, manejarse y guardarse en una estancia con una superficie de suelo superior a 14 m<sup>2</sup>. Siga rigurosamente las instrucciones de instalación suministradas con el electrodoméstico. Tenga siempre cuidado al mover el electrodoméstico porque es pesado. Use siempre guantes de seguridad.

Asegúrese de que el aire pueda circular alrededor del electrodoméstico. Espere al menos 4 horas antes de conectar el electrodoméstico a la toma de corriente. De esta manera, se permite que el aceite vuelva a entrar en el compresor. No instale el electrodoméstico cerca de radiadores ni otras fuentes de calor. No instale el electrodoméstico bajo la luz directa del sol.

**CONEXIÓN ELÉCTRICA****ADVERTENCIA**

Riesgo de incendio y de descarga eléctrica.

El electrodoméstico debe conectarse a una toma de corriente conectada a tierra. Asegúrese de que la información eléctrica de la etiqueta de clasificación coincida con la fuente de alimentación. De lo contrario, póngase en contacto con un electricista. Utilice siempre un enchufe a prueba de descargas correctamente instalado. No utilice adaptadores de enchufes múltiples ni alargadores. Asegúrese de no causar daños a los componentes eléctricos (p. ej., enchufe, cable). Póngase en contacto con el Centro de asistencia autorizado o con un electricista para cambiar los componentes eléctricos. El cable debe estar por debajo del nivel del enchufe. Conecte el enchufe a la toma de corriente solamente al final de la instalación. Asegúrese de que haya acceso al enchufe después de la instalación. No tire del cable de alimentación para desconectar el electrodoméstico. Desconecte siempre el cable de alimentación únicamente desde el enchufe.

**USO****ADVERTENCIA**

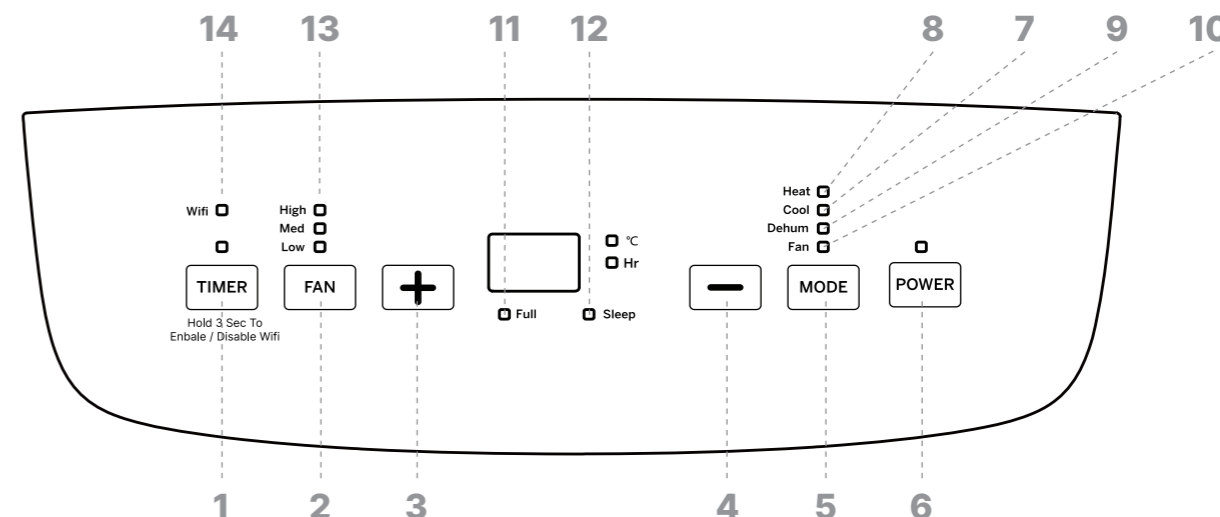
Riesgo de lesiones, quemaduras, descarga eléctrica o incendio.

No modifique las especificaciones de este electrodoméstico. Tenga cuidado de no causar daños en el circuito refrigerante. Contiene propano (R290), un gas natural con un alto nivel de compatibilidad medioambiental. Este gas es inflamable. Si se produce algún daño en el circuito del refrigerante, asegúrese de que no haya llamas y fuentes de ignición en la habitación. Ventile la habitación. No deje productos inflamables ni artículos mojados con productos inflamables cerca o sobre el electrodoméstico.

**ELIMINACIÓN****ADVERTENCIA**

Riesgo de lesiones.

Desconecte el electrodoméstico de la red eléctrica. Corte el cable de alimentación y deséchelo. El circuito refrigerante de este electrodoméstico es respetuoso con el ozono. Póngase en contacto con las autoridades locales para obtener información sobre cómo desechar el electrodoméstico correctamente. No provoque daños en la parte de la unidad de refrigeración que está cerca del intercambiador de calor.



Gracias por su compra y confianza en Wood's. Este manual le presenta los modos de funcionamiento del AC Cortina XL.

**Modo refrigeración:** Enfría la habitación a la temperatura deseada. La temperatura ambiente óptima de funcionamiento para los modelos de refrigeración es de 17-43°C.

**Modo calefacción:** Calienta la habitación a la temperatura deseada. La temperatura ambiente óptima de funcionamiento tanto para el modelo de refrigeración como para el de calefacción es de 5-43°C. (¡Nota! Este modo sólo está disponible en el modelo AC con función Duo/ calefacción).

**Modo deshumidificación:** Reduce la humedad de la habitación.

**Modo ventilador:** Hace circular el aire de la habitación sin enfriar.

**INSTRUCCIONES DE USO****PARTES DEL PRODUCTO (CONSULTE LAS IMÁGENES A Y B)**

- Ventana de recepción del mando a distancia
- Panel de control
- Salida de aire
- Ruedas
- Conjunto de filtro superior del panel trasero
- Soportes para enrollar cables
- Conjunto de filtro inferior del panel trasero
- Tapa del desagüe
- Compartimento para el mando a distancia
- Entrada de aire
- Salida de aire
- Kits de ventanas
- Conector redondo de la manguera de escape
- Manguera de escape
- Adaptador a la manguera de escape

**PANEL DE CONTROL (VER ARRIBA O IMAGEN C)**

- Botón del temporizador
- Botón de velocidad del ventilador
- Botón arriba
- Botón abajo
- Botón de modo
- Botón de encendido
- Indicador del modo de refrigeración
- Indicador del modo de calefacción (¡NOTA! Este símbolo sólo está disponible en el modelo AC con función Duo/ calefacción).
- modo de deshumidificación
- Indicador del modo de ventilación
- Indicador de agua llena
- Indicador del modo de reposo
- Indicador de velocidad del ventilador
- Indicador Wi-Fi. (¡NOTA! Este símbolo sólo está disponible en el modelo AC con función Wi-Fi/Smart Home).

**MODOS DE FUNCIONAMIENTO Y FUNCIONES DEL PANEL DE CONTROL (CONSULTE LA IMAGEN C)**

**Botón de encendido (6):** Pulse esta tecla para activar la unidad; sonará un sonido melódico y la unidad entrará automáticamente en modo refrigeración con una temperatura preestablecida de 24° C. El ventilador funcionará a velocidad media.

Para desactivar la unidad, pulse de nuevo esta tecla y un sonido melódico señalará su apagado.

1. Cuando la unidad está encendida, la ventana LCD mostrará la temperatura ajustada en los modos Re-frigeración y Calefacción (¡NOTA! El símbolo Calefacción sólo está disponible en el modelo AC con función Duo/Calefacción) o la temperatura ambiente en los Deshumidificación y Ventilador. El ventilador se pondrá en marcha y la ventana de salida de aire se

abrirá automáticamente.

2. Todas las piezas dejan de funcionar cuando la unidad está apagada, y la ventana de salida de aire se cerrará automáticamente.

¡NOTA! El ventilador seguirá funcionando durante un breve periodo de tiempo después de apagar la máquina.

**Botón de modo (5):** Pulse el botón "Modo" para recorrer los modos disponibles para la confirmación.

**Modo refrigeración (7):** Enfría la habitación a la temperatura ajustada.

**Modo calefacción (8):** Calienta la habitación a la temperatura ajustada. (¡NOTA! Este modo sólo está disponible en el modelo AC con Duo/función de calefacción).

**Modo deshumidificación (9):** Reduce la humedad de la habitación.

**Modo ventilador (10):** Circula y purifica el aire de la habitación sin enfriar.

**Botón hacia abajo (4):** Pulse para disminuir la temperatura programada o ajustar la bajada.

**Botón Arriba (3):** Pulse el botón para ajustar la temperatura programada hacia arriba.

**Botón de velocidad del ventilador (2):** Pulse el botón velocidad del ventilador para seleccionar la ve-locidad del ventilador en alta, media o baja.

NOTA: La velocidad del ventilador no se puede ajustar en los modos Deshumidificación y Reposo.

**Temporizador (1):** Pulse una vez para activar la función de temporizador. Ajuste el número de horas (1-24) pulsando + o -. Cuando la pantalla deje de parpadear, el temporizador estará configurado. Para desactivarlo, pulse el botón del temporizador dos veces.

**FUNCIONES AL COMBINAR BOTONES (CONSULTE LA IMAGEN C)**

Función Sleep (12): Inicie o cancele la

función SLEEP pulsando simultáneamente el botón TIMER (1) y el botón Up (3). Tenga en cuenta que la velocidad del ventilador no es ajustable en la función Sleep.

- Si la función Sleep está activada en el modo refrigeración, aumenta la temperatura ajustada en 1° C después de 2 horas y luego la aumenta en 1° C adicional después de otras 2 horas, manteniendo el funcionamiento a esta temperatura.

- Si la función Sleep está activada en el modo Calefacción (sólo disponible en el modelo AC con función Duo/calefacción), disminuye la temperatura ajustada en 1° C después de 2 horas. A continuación, la disminuye en 1° C adicional después de otras 2 horas, funcionando a esta a partir de entonces. NOTA: La función Sleep no es efectiva en los modos Ventilador y Deshumidificación.

**Función Auto Swing:** Active o desactive Auto-Swing pulsando simultáneamente el botón TIMER (1) y el botón Fan speed (2).

#### FUNCIÓN WIFI (14):

(Sólo aplicable al modelo AC con funcionalidad WiFi/Smart Home).

Wood's



1. Descarga la aplicación Wood's Connect de App Store o Google Play.
  2. Regístrate y sigue las instrucciones. Acepte todos los pasos. (Lea atentamente la Política de privacidad y, si aprueba los acuerdos, pulse la parte inferior de aceptar para continuar).
  3. Abre la app Wood's Connect y, en la pantalla de inicio, pulsa "añadir dispositivo".
  4. Para entrar en el modo de emparejamiento, mantenga pulsado el botón TIMER (1) de la unidad durante 3 segundos para ver que el icono Wi-Fi de la pantalla parpadea rápidamente.
  5. Cuando descubras el dispositivo en la pantalla añadir. También puedes elegir el modelo manualmente.
  6. Rellena tus ajustes Wi-Fi y contraseña y pulsa siguiente.
  7. Pulse + para añadir la unidad.
  8. Espere a que se añada la unidad y pulse Hecho.
- Para desconectar la función Wi-Fi, pulse el botón TIMER (1) del aparato durante 3 segundos.

#### MODOS DE FUNCIONAMIENTO DEL MANDO A DISTANCIA (VER IMAGEN D)

**Encendido (1):** Presione este botón para arrancar la unidad cuando esté energizada o detener la unidad cuando esté en funcionamiento.

**Botón de modo (2):** Pulse este botón para seleccionar el modo de funcionamiento.

**Botón Arriba (4):** Pulse el botón arriba para aumentar la temperatura ambiente y el ajuste del temporizador.

**Botón abajo (5):** Pulse el botón abajo para disminuir la temperatura ambiente y el ajuste del temporizador.

**Botón del ventilador (6):** Pulse este botón para seleccionar la velocidad del ventilador: Baja, Media, Alta.

**Botón Auto Swing (7):** Pulse este botón para activar o desactivar la función de oscilación automática.

**Botón Sleep (8):** Pulse este botón para seleccionar o cancelar el modo de reposo (sólo es efectivo en funcionamiento de refrigeración o calefacción)

**Botón temporizador (3):** Ajuste la función AUTO-ON en estado de reposo y AUTO-OFF cuando la unidad esté funcionando. El tiempo puede ajustarse entre 1-24 horas. Para apagar el temporizador, pulse el botón del temporizador y póngalo en "0".

Antes de utilizar el mando a distancia, instale las pilas AAA siguiendo estos pasos: (CONSULTE LA IMAGEN D)

1. Deslice y retire con cuidado la tapa de las pilas situada en la parte posterior del mando a distancia.

2. Inserte dos pilas alcalinas AAA nuevas en el compartimento correspondiente, asegurándose de que la polaridad es la correcta.

3. Vuelva a colocar la tapa de la batería, asegurándose de que la lengüeta de bloqueo encaje firmemente en su lugar.

¡NOTA!

- Utilice sólo pilas alcalinas. No utilice pilas recargables.

- Sustituya siempre las dos pilas por nuevas; no mezcle las viejas con las nuevas.

- Extraiga las pilas del a distancia si no va a utilizar el aparato de aire acondicionado durante un periodo prolongado.

#### ALMACENAMIENTO DEL MANDO A DISTANCIA (CONSULTE LA IMAGEN E)

Inserte el mando a distancia en un compartimento incorporado en la parte posterior de la unidad.

NOTA: Para evitar la pérdida del mando a distanciaguárdelo en su sitio no lo utilice.

**ADVERTENCIA:** En caso de fuga de la pila sobre la piel o la ropa, lave inmediatamente la zona afectada con abundante agua limpia. No utilice el a distancia si hay indicios de fuga de la pila. En caso de ingestión del líquido de las pilas, acuda inmediatamente a un médico.

Las sustancias químicas presentes en las pilas pueden suponer riesgos como quemaduras y otros peligros para la salud.

## INSTALACIÓN

### ANTES DEL PRIMER USO

Deje reposar la unidad en posición vertical durante 4 horas antes de ponerla en funcionamiento.

Este Acondicionador de Aire está diseñado para una cómoda reubicación en interiores. Asegúrese de que la unidad permanece en posición vertical durante el traslado. Coloque el Aire Acondicionado sobre una superficie plana. No instale ni haga funcionar este acondicionador de aire en baños u otros ambientes húmedos.

### INFORMACIÓN IMPORTANTE ANTES DE INSTALAR LA MANGUERA DE AIRE

Durante el funcionamiento, mantenga la manguera tan corta y con tan pocas curvas como sea posible para minimizar la caída de presión y la pérdida de capacidad.

La manguera de escape debe permanecer lisa para evitar el sobrecalentamiento y posibles daños al acondicionador de aire. La manguera tiene una longitud de 280 mm-1500 mm. Evite alargar la manguera o sustituirla por otra diferente, ya que podría afectar al .

### INSTALACIÓN DEL CONJUNTO DE MANGUERA DE ESCAPE Y SU ADAPTADOR. (CONSULTE LA IMAGEN F)

1. Retire la bolsa de plástico extrayendo la manguera de escape, su conector y el adaptador del embalaje.

2. Extienda un extremo de la manguera de escape y acople el conector redondo girándolo en sentido contrario a las agujas del reloj durante un mínimo de tres rotaciones.

3. Extienda el otro extremo de la manguera de escape y fije el adaptador girándolo en sentido contrario a las agujas del reloj durante al menos tres vueltas.

4. Coloque el extremo delantero del conjunto de la manguera de escape en la muesca designada de la salida de aire de escape situada en el panel trasero. Los sujetadores bloquearán firmemente el conjunto de la manguera de escape en su lugar.

5. Instale la manguera de escape de aire en la unidad.

NOTA: Asegúrese de que el lado inclinado del adaptador está correctamente orientado para facilitar la instalación de la placa de cierre de la ventana.

Mantenga una conexión segura y bien colocada de la manguera de escape.

### INSTALACIÓN DE LA PLACA DE SELLADO DE LA VENTANA (CONSULTE LA IMAGEN G)

1. Instale el extremo rectangular del conjunto de la manguera en los orificios rectangulares corre-spondientes del conjunto de la placa de sellado de la ventana y fíjelo con un tornillo.

¡NOTA!

- Deslice los adaptadores hacia abajo, asegurándose de que queden bien instalados.

- Confirme que la dirección del panel inclinado esté alineada con la dirección de la placa de sellado.

- Asegúrese de que la manguera esté lo más recta para garantizar una ventilación adecuada.

2. Abra la ventana hasta la mitad e inserte la placa de sellado en la ventana, colocándola en posición vertical u horizontal.

3. Extienda las piezas de la placa de cierre y para que coincidan con la longitud de la ventana.

Asegúrese de que ambos extremos coincidan con los bordes de la ventana y fíjelo en su sitio con tornillos.

NOTA: Compruebe que los dos extremos de la placa de sellado de la ventana coinciden con los bordes de la ventana para obtener un sellado correcto.

Asegúrese de que los tornillos estén bien apretados en la posición correcta.

4. Mueva la unidad con la manguera montada delante de la ventana y mantenga la unidad a una distancia mínima de 50 cm de las paredes u otros objetos

### ENERGIZAR LA UNIDAD

Para alimentar la unidad, enchúfala.

La unidad ya está lista para su uso.

### MANTENIMIENTO

NOTA: Apague el aparato y desenchúfelo antes de proceder al mantenimiento.

### INSTRUCCIONES DE DRENAJE (CONSULTE LA IMAGEN H)

La mayor parte del agua saldrá de forma natural a través de la manguera de escape con el aire caliente.

Si necesita vaciar el depósito, la unidad se lo notificará. (REFERENCIA IMAGEN C, Indicador de lleno)

Para vaciar el depósito de agua Desenrosque la tapa de vaciado y desenchufe el tapón de agua para permitir que el agua fluya hacia la bandeja. NOTA:

Tenga cuidado para evitar fugas si es necesario mover la unidad. Incline la unidad ligeramente hacia atrás durante el vaciado. Si la bandeja no puede contener toda el agua de la unidad, bloquee rápidamente el orificio de drenaje para evitar fugas de agua y evitar mojar el suelo o la alfombra. Asegúrese de que el tapón de agua y la tapa de drenaje estén bien instalados para

evitar que el agua condensada nueva moje el suelo o la alfombra cuando la unidad se vuelva a poner en marcha.

Conectar una manguera de agua para un drenaje continuo: Desenrosque la tapa de desagüe y retire el tapón de agua. Conecte una manguera de agua de 12 mm de diámetro interior al tubo de unidad. Lleve el otro extremo de la manguera de agua a un desagüe.

Asegúrate de que el agua pueda drenarse hacia abajo.

NOTA: Debe instalarse una manguera de desagüe cuando no haya agua en la bandeja.

Se recomienda no utilizar el drenaje continuo cuando la unidad está en modo de Refrigeración para asegurar que se recicla suficiente agua dentro de la unidad para mejorar los efectos de refrigeración del sistema. Coloque la manguera de drenaje en un lugar inaccesible, asegurándose de que no esté colocada a una altura superior a la del orificio de drenaje, y mantenga la manguera de drenaje recta dobleces. Asegúrese de que la tapa de drenaje y su tapón estén bien sujetos cuando se utilice el drenaje continuo.

### MÚLTIPLES FUNCIONES DE PROTECCIÓN

Descongelación automática: La unidad descongelará automáticamente cuando sea necesario. En el modo de descongelación, la pantalla muestra D7 y no se activa ningún botón excepto el botón POWER.

Protección del compresor: La unidad dispone de una función de protección del compresor que provoca un retardo de arranque de 3 minutos después de reiniciar la unidad.

Alarma de seguridad de llenado de agua y función de protección de apagado: Cuando el volumen de agua sobrepasa el nivel de alarma designado dentro del chasis de la unidad, se dispara una alerta automática de , acompañada de la iluminación del ícono de agua llena en la pantalla LCD. En este caso, es necesario drenar el agua condensada siguiendo las instrucciones proporcionadas en la sección "Instrucción de Drenaje". Si la unidad no se apaga manualmente, volverá automáticamente a su estado de funcionamiento original una vez que el agua condensada se haya drenado completamente. Como alternativa, vuelva a conectar la alimentación para reiniciar la unidad.

### LIMPIEZA DE SUPERFICIES

- Limpie la superficie de la unidad con un paño húmedo y suave, y no utilice disolventes químicos como alcohol y gasolina para evitar cualquier daño.

- Limpie la salida de aire o las rejillas sucias con un paño suave húmedo y detergente suave.

- Se prohíbe utilizar cualquier disolvente químico para la limpieza de la unidad o poner tales cosas cerca de la unidad durante mucho tiempo.

- Se prohíbe el uso de diluyentes, alcohol o disolventes similares para la limpieza de la unidad.

### LIMPIEZA DEL FILTRO LAVABLE (CONSULTE LA IMAGEN I)

Es esencial limpiar el filtro una vez cada dos semanas para evitar que el rendimiento de la unidad se vea afectado por la acumulación de polvo. Sumerja y lave el filtro suavemente en agua tibia (aproximadamente 40° C) mezclada con un limpiador neutro. Después de limpiarlo, vuelva a instalarlo en la unidad.

Limpie los filtros inferiores: Extraiga los filtros inferiores y, a continuación, retire el filtro trasero y límpiolo.

NOTA: Extraiga el filtro con cuidado, dando prioridad a la extracción del filtro del panel trasero antes que al filtro del panel lateral para evitar que se retuerza o se dañe. Tenga cuidado de no aplastar la malla y evite golpearla con objetos afilados o cepillos.

NOTA: Asegúrese de que el filtro está instalado en el panel lateral antes de instalar el filtro en el panel posterior.

Instale el filtro en la dirección opuesta a la de extracción.

### ALMACENAMIENTO DE FINAL DE TEMPORADA

1. Desenrosque la tapa de vaciado y retire el tapón de agua para vaciar completamente el agua condensada.

NOTA: El ángulo de inclinación de la unidad debe ser ≤ 30 grados.

2. Haga funcionar la unidad en modo ventilador durante medio día para secar bien el interior y evitar la formación de moho.

3. Apague la unidad, desenchúfela, enrolle el cable de alimentación alrededor del pilar de enrollamiento del cable.

4. Retire el conjunto de la manguera de escape de calor, límpiolo y guárdelo adecuadamente.

NOTA: Sujete el conjunto de la manguera de escape con ambas manos al desmontarlo.

5. Empuje hacia un lado las fijaciones de la salida de aire de escape con los pulgares y, a continuación, extraiga el conjunto de la manguera de escape.

6. Embale el acondicionador de aire de forma segura en una bolsa de plástico blando, colóquelo en un lugar seco con las medidas adecuadas de protección contra el polvo y fuera del alcance de los niños.

7. Retire las pilas del a distancia y guárdelas correctamente.

NOTA: Asegúrese de que la unidad se almacena en un entorno seco. Guarde todos los accesorios de la unidad de forma colectiva para evitar que se dañen o deterioren.

## GARANTÍAS

Dos años de garantía contra defectos de fabricación. Tenga en cuenta que la garantía sólo es válida previa presentación del recibo de compra. ¡GUARDE SUS RECIBOS! Los recibos serán necesarios para cualquier reclamación de garantía durante el periodo.

## AMPLIAR LA GARANTÍA

Obtenga una garantía de 3 años registrándose en warranty-woods.com.

¡GUARDE SUS RECIBOS! Todos los recibos serán necesarios para cualquier reclamación de garantía durante el periodo.



## RESOLUCIÓN DE PROBLEMAS

Por favor, revise la unidad y siga las siguientes sugerencias antes de solicitar servicio profesional. Sin embargo, nunca intente desmontar o reparar la unidad usted mismo, ya que podría causar daños a usted y a su propiedad. Si se producen problemas no indicados en la tabla o las soluciones recomendadas no funcionan, póngase en contacto con un servicio técnico profesional.

PROBLEMAS	CAUSA	REMEDIO
La unidad no se pone en marcha.	Fallo de alimentación.	Conecta el aparato a una toma con corriente y enciéndelo.
	Depósito de agua lleno con el correspondiente icono iluminado.	Vacíe el agua almacenada en la unidad.
	La temperatura ambiente es inferior a la temperatura ajustada en el modo refrigeración o superior en el modo calefacción.	Asegúrese de que la unidad funciona dentro del intervalo de temperatura recomendado. Ajuste la temperatura de consigna.
Refrigeración insuficiente.	Hay luz solar directa.	Cierra la cortina de la ventana.
	Las puertas y ventanas están abiertas, la habitación está llena de gente o hay otras fuentes de calor.	Cierre puertas y ventanas, elimine otras fuentes de calor y considere la posibilidad de añadir más aparatos de aire acondicionado.
	Filtro sucio.	Limpie o sustituya la malla del filtro.
	Entrada o salida de aire obstruidas.	Elimine cualquier obstrucción.
Alto nivel de ruido.	La unidad se está colocando en una superficie irregular.	Coloque la unidad en un lugar plano y firme (puede reducir el ruido)
El compresor no funciona.	Activación de la protección contra sobrecalentamiento.	Espere hasta que la temperatura disminuya, la unidad se reiniciará automáticamente
El mando a distancia no funciona.	Distancia entre la unidad y el mando a distancia demasiado larga.	Acerque el mando a distancia al aparato de aire acondicionado y asegúrese de que haya aire en el receptor de señal de la unidad.
	El mando a distancia no apunta al receptor de señal de la unidad.	
	Baterías agotadas.	Cambiar las pilas
Aparece el código "D7 o E4".	Protección anticongelante.	Las funciones se restablecerán automáticamente una vez finalizada la protección anticongelante.
Aparece el código "FL".	El depósito de agua del chasis está lleno.	Drene el condensado y vuelva a poner en marcha la unidad.

## ESPECIFICACIONES TÉCNICAS

Nº DE MODELO	CORTINA XL 14K WIFI	CORTINA XL 14K DUO WIFI	CORTINA XL 18K WIFI	CORTINA XL 18K DUO WIFI
Capacidad de refrigeración	3900W	3900W	5000W	5000W
Potencia calorífica	N/A	3500W	N/A	4000W
Consumo de energía en modo refrigeración	1490W	1490W	1750W	1750W
Consumo de energía en modo calefacción	N/A	1350W	N/A	1500W
Flujo de aire	400m³/h	400m³/h	480m³/h	480m³/h
Clase de energía	A	A	A	A
Deshumidificación	38L/D	38L/D	70L/D	70L/D
Ajuste de la temperatura	17-30°C	17-30°C	17-30°C	17-30°C
Temperatura de trabajo	17-43°C	5-43°C	17-43°C	5-43°C
EER en modo refrigeración	2,6	2,6	2,6	2,6
Longitud de las mangueras	1.5M	1.5M	1.5M	1.5M
Gas refrigerante	R290/285g	R290/285g	R290/295g	R290/295g
Nivel sonoro en modo refrigeración (LWA) (dB(A))	60-64 dB	60-64 dB	60-64 dB	60-64 dB
Nivel sonoro en modo refrigeración (LPA) (dB(A))	48-53 dB	48-53 dB	48-53 dB	48-53 dB
Peso neto	31.5kg	33kg	27.3kg	28.3kg
Dimensiones del dispositivo (Al×An×F)	770×440×410mm	770×440×410mm	770×440×410mm	770×440×410mm

**Pueden producirse cambios y mejoras técnicas. Todos los valores son aproximados y pueden variar en función de circunstancias externas como la temperatura, la ventilación y la humedad.**

**Nota: Protección del medio ambiente y eliminación**

- Los consumidores están obligados por ley a deshacerse correctamente de los aparatos electrónicos, las lámparas y las pilas al final de su vida útil.
- Pueden entregarse gratuitamente en los puntos de recogida públicos o en los comercios.
- El borrado de datos personales es responsabilidad del consumidor.
- Las lámparas y pilas que puedan retirarse sin riesgo y que no estén instaladas de forma permanente deben extraerse previamente para su eliminación por separado.
- La legislación local regula los detalles de la eliminación conforme a la ley.
- La marca de cubo de basura tachado identifica los aparatos eléctricos y las pilas que nunca deben tirarse a la basura doméstica al final de su vida útil.
- Los símbolos debajo del cubo de basura indican las sustancias que contiene (plomo = Pb, mercurio = Hg, cadmio = Cd).
- Esta separación es necesaria porque tanto las pilas como los aparatos eléctricos son recursos valiosos y además contienen sustancias perjudiciales para el ser humano y su entorno.
- Al reciclar, recoger y reutilizar pilas y aparatos eléctricos adecuados para este fin, contribuyes a la conservación y protección del medio ambiente y de la salud de las personas.



**ONTVLAMBAAR MATERIAAL.**  
Dit apparaat bevat R290/  
propaan, een ontvlambaar koelmiddel.



Raadpleeg de  
gebruikshandleiding.



Zie de technische  
handleiding.



Lees de  
gebruikshandleiding.

## VEILIGHEIDSINFORMATIE

Lees vóór installatie en gebruik van het apparaat de bijgeleverde handleidingen aandachtig door. De fabrikant kan niet verantwoordelijk worden gehouden als onjuiste installatie en/of gebruik leiden tot letsel en schade. Houd de handleidingen altijd bij het apparaat voor toekomstig gebruik.

## VEILIGHEID KINDEREN EN KWETSBAAR PERSONEN

### WAARSCHUWING ⚠

Risico op letsel of blijvende invaliditeit.

Dit apparaat kan worden gebruikt door kinderen van acht jaar en ouder, personen met verminderde lichamelijke, zintuiglijke of mentale vermogens of gebrek aan ervaring en kennis indien zij op een veilige manier begeleid worden of instructie hebben gekregen over het gebruik van het apparaat en de gevaren begrijpen. Laat kinderen niet met het apparaat spelen.

Kinderen jonger dan drie jaar moeten van het apparaat weggehouden worden, tenzij zij onder voortdurend toezicht staan.

Houd alle verpakkingen uit de buurt van kinderen. - schoonmaken en gebruikersonderhoud mogen niet door

kinderen worden uitgevoerd zonder dat er toezicht is.

## ALGEMENE VEILIGHEID

Dit apparaat is bedoeld voor gebruik in huishoudens en soortgelijke omgevingen zoals winkels, kantoren en andere werkomgevingen. Het typeplaatje bevindt zich aan de zijkant of achterkant van het apparaat. Houd ventilatieopeningen vrij van obstructies.

Volg uitsluitend de door fabrikant aanbevolen ontdooimethode, gebruik geen mechanische of andere hulpmiddelen om het ontdooiproces te versnellen. Het apparaat mag niet worden opgeslagen in een ruimte waar ontstekingsbronnen continu aanwezig zijn (bijv. open vuur, een gasapparaat, elektrische kachel e.d. die in gebruik zijn). Niet doorboren of branden. Let op dat koelmiddelen geurloos kunnen zijn. Maak het apparaat niet schoon met harde waterstralen of stoom. Reinig het apparaat met een vochtige, zachte doek. Gebruik alleen neutrale schoonmaakmiddelen. Gebruik geen schurende producten, schuursponsen, oplosmiddelen of metalen voorwerpen. Indien het netsnoer beschadigd is, moet het worden vervangen door de fabrikant, zijn geautoriseerd Service Centre of gelijkwaardig gekwalificeerde personen om problemen te voorkomen.

## VEILIGHEIDSINSTRUCTIES

### WAARSCHUWING ⚠

Dit apparaat mag alleen door een gekwalificeerd persoon geïnstalleerd worden.

Verwijder al het verpakkingsmateriaal. Installeer of gebruik geen beschadigd apparaat. Het apparaat moet geïnstalleerd, gebruikt en opgeslagen worden in een ruimte met een vloeroppervlak van ten minste 14 m<sup>2</sup>. Volg de installatie-instructie die bij het apparaat is meegeleverd op strikte wijze. Wees altijd voorzichtig wanneer u het apparaat verplaatst omdat het zwaar is. Draag altijd veiligheidshandschoenen.

Zorg ervoor dat er lucht rond het toestel kan circuleren. Wacht minimaal 4 uur voordat u het apparaat aansluit op het stopcontact. Zo kan de olie terugstromen naar de compressor. Installeer het toestel niet vlak bij radiatoren of andere warmtebronnen. Plaats het toestel niet in direct

zonlicht.

## ELEKTRISCHE AANSLUITING

### WAARSCHUWING ⚠

Gevaar voor brand en elektrische schokken.

Het apparaat moet op een geaard stopcontact zijn aangesloten. Controleer of de elektrische gegevens op het typeplaatje overeenstemmen met de netvoeding. Is dat niet het geval dan moet u contact opnemen met een elektricien. Gebruik altijd een correct geïnstalleerd slagvast stopcontact. Gebruik geen stekkerdozen of verlengkabels. Zorg ervoor dat u de elektrische componenten niet beschadigt (bijv. stekker, netsnoer). Neem contact op met het geautoriseerde servicecentrum of een elektricien om de elektrische componenten te vervangen. Het snoer moet lager liggen dan de stekker. Steek pas aan het einde van de installatie de stekker in het stopcontact. Controleer of u na de installatie bij de stekker kunt. Trek niet aan het netsnoer om het apparaat los te koppelen. Haal altijd de stekker uit het stopcontact.

## GEbruik

### WAARSCHUWING ⚠

Risico op letsel, brandwonden, elektrische schokken of brand.

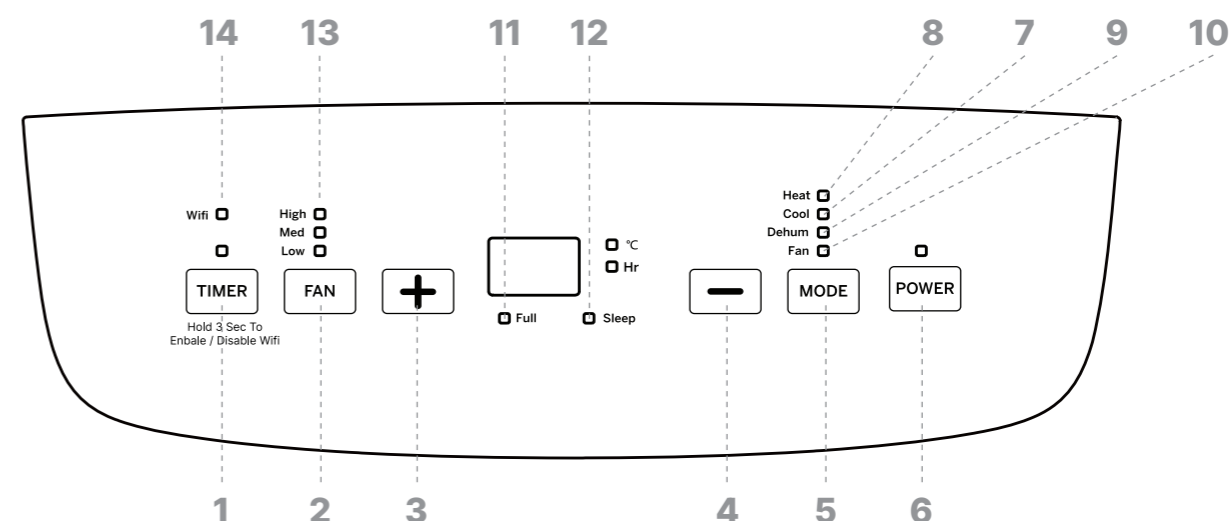
Wijzig de specificatie van dit toestel niet. Zorg ervoor dat u het koelcircuit niet beschadigt. Het bevat propaan (R290), een natuurlijk gas met een grote milieu-compatibiliteit. Dit gas is ontvlambaar. Als er schade aan het koelcircuit ontstaat moet u ervoor zorgen dat er geen vlammen of andere ontstekingsbronnen in de ruimte zijn. Ventileer de kamer. Zet geen brandbare producten of natte items met brandbare stoffen in de buurt van of op het apparaat.

## AFVOEREN

### WAARSCHUWING ⚠

Risico op letsel.

Koppel het apparaat los van het net. Knip het netsnoer af en gooi dit weg. Het koelcircuit van dit apparaat is ozonvriendelijk. Neem contact op met uw lokale milieustation voor informatie over hoe u het apparaat correct afvoert. Zorg dat het gedeelte van de koeleenheid dat zich in de buurt van de warmtewisselaar bevindt niet beschadigt raakt.



Bedankt voor uw aankoop en uw vertrouwen in Wood's. In deze handleiding maakt u kennis met de be-dieningsmodi van de AC Cortina XL.

**Koelmodus:** Koelt de ruimte tot de gewenste temperatuur. De optimale omgevingstemperatuur voor koelmodellen is 17-43°C.

**Verwarmingsmodus:** Verwarmt de kamer tot de gewenste temperatuur. De optimale omgevingstemperatuur voor zowel koelen als verwarmen is 5-43°C. (Opmerking! Deze modus is alleen beschikbaar op het AC-model met de Duo/verwarmingsfunctie).

**Modus Ontvochtiging:** Vermindert de vochtigheid in de kamer.

**Ventilatormodus:** Circuleert de lucht in de kamer zonder te koelen.

## GEbruikSAANWIJZING

### PRODUCTONDERDELEN (ZIE AFBEELDING A EN B)

- Ontvangstvenster afstandsbediening
- Bedieningspaneel
- Luchtuitlaat
- Wielen
- Bovenste filtersamenstel van achterpaneel
- Kabelopwikkelbeugels
- Onderste filtersamenstel van achterpaneel
- Afvoer
- Vak voor afstandsbediening
- Luchtinlaat
- Luchtuitlaat
- Raamsets
- Rond koppelstuk van uitlaatslang
- Uitlaatgasslang

15. Adapter voor uitlaatslang

### BEDIENINGSPANEEL (ZIE HIERBOVEN OF AFBEELDING C)

- Timerknop
- Knop ventilatorsnelheid
- Knop omhoog
- Omlaag knop
- Modusknop
- Aan/uit-knop
- Indicator koelmodus
- Verwarmingsmodus-indicator (OPMERKING! Dit symbool is alleen beschikbaar op het AC-model met de Duo/Verwarmingsfunctie).
- ontvochtigingsmodus
- Indicator ventilatormodus
- Indicator voor vol water
- Slaapstand indicator
- Toerentalindicator ventilator
- Wi-Fi-indicator. (OPMERKING! Dit symbool is alleen beschikbaar op het AC-model met Wi-Fi/Smart Home-functie).

### WERKMODI EN FUNCTIES BEDIENINGSPANEEL (ZIE AFBEELDING C)

**Aan/uit-knop (6):** Druk op deze toets om het apparaat in te schakelen; er klinkt een melodisch geluid en het apparaat schakelt automatisch over naar de koelmodus met een vooraf ingestelde temperatuur van 24°C. De ventilator draait op een gemiddelde snelheid.

Druk nogmaals op deze toets om het apparaat uit te schakelen, waarna een melodius geluid het uitschakelen signaleert.

1. Als het apparaat aan staat, toont het LCD-scherm de ingestelde temperatuur in de Koelmodus en Verwarmingsmodus (OPMERKING! Het Verwarmingsymbool is alleen beschikbaar op het AC-model

met de Duo/Verwarmingsfunctie) of de omgevingstemperatuur in de Ontvochtigingsmodus, Ventilatormodus. De ventilator begint te draaien en het luchtuitblaasvenster gaat automatisch open.

2. Alle onderdelen stoppen met werken als het apparaat uitgeschakeld is en het luchtuitblaasvenster sluit automatisch.

LET OP! De ventilator blijft nog even draaien nadat het apparaat is uitgeschakeld.

**Modusknop (5):** Druk op de knop "Mode" om ter bevestiging door de beschikbare modi te bladeren.

**Koelmodus (7):** Koelt de kamer tot de ingestelde temperatuur.

**Verwarmingsmodus (8):** Verwarmt de kamer tot de ingestelde temperatuur. (OPMERKING! Deze modus is alleen beschikbaar op het AC-model met Duo/verwarmingsfunctie).

**Ontvochtigingsmodus (9):** Vermindert de vochtigheid in de kamer.

**Ventilatormodus (10):** Circuleert en zuivert de lucht in de kamer zonder te koelen.

**Knop Omlaag (4):** Klik om de ingestelde temperatuur te verlagen of naar beneden bij te stellen.

**Knop omhoog (3):** Klik op de knop om de ingestelde temperatuur naar boven bij te stellen.

**Knop ventilatorsnelheid (2):** Druk op de ventilatorsnelheidsknop om de ventilatorsnelheid te selecteren op hoog, medium of laag.

OPMERKING! De ventilatorsnelheid kan niet worden aangepast in de modi Ontvochtigen en Slapen.

**Timer (1):** Eenmaal indrukken om de timerfunctie te activeren. Stel het aantal uren in (1-24) door op + of - te drukken. Wanneer het scherm stopt met knipperen, is de timer ingesteld. Druk 2 keer op de timerknop om te deactiveren.

**FUNCTIES BIJ HET COMBINEREN VAN KNOPPEN (ZIE AFBEELDING C)**

**Slaapfunctie (12):** Start of annuleer de SLEEP functie door gelijktijdig op de TIMER knop (1) en de Omhoog knop (3) te drukken. Let op: de ventilatorsnelheid is niet instelbaar in de slaapfunctie.

- Als de slaapfunctie is geactiveerd in de koelmodus, wordt de ingestelde temperatuur na 2 uur met 1° C verhoogd en na nog eens 2 uur met nog eens 1° C verhoogd, waarbij de werking op deze temperatuur wordt gehandhaafd.

- Als de slaapfunctie is geactiveerd in de verwarmingsmodus (alleen beschikbaar op het AC-model met duo-/verwarmingsfunctie), wordt de ingestelde temperatuur na 2 uur met 1° C verlaagd. Vervolgens verlaagt het de temperatuur met nog eens 1° C na nog eens 2 uur, en werkt het daarna op deze temperatuur. OPMERKING! De slaapfunctie werkt niet in de ventilatormodus en ontvochtigingsmodus.

**Auto Swing-functie:** Activeer of deactiveer Auto Swing door gelijktijdig op de TIMER-knop (1) en de venti-latorsnelheidsknop (2) te drukken.

**WIFI-FUNCTIE (14):**

(Alleen van toepassing op het



AC-model met WiFi/Smart Home-functie).

1. Download de Wood's Connect-app uit de App Store of Google Play.

2. Registreer en volg de instructies. Accepteer alle stappen. (Lees aandachtig het Privacybeleid en als u akkoord gaat met de overeenkomsten, tikt u onderaan op akkoord om verder te gaan).

3. Open de Wood's Connect-app en druk op het beginscherm op "apparaat toevoegen".

4. Om de koppelmodus in te schakelen houdt u de TIMER (1) knop op het apparaat 3 seconden ingedrukt tot het Wi-Fi-pictogram op het display snel knippert.

5. Wanneer je het apparaat op het scherm ziet, druk je op toevoegen. Je kunt het model ook handmatig kiezen.

6. Vul je Wi-Fi-instellingen en wachtwoord in en druk op volgende.

7. Druk op + om de eenheid toe te voegen.

8. Wacht tot het apparaat is toegevoegd en druk dan op klaar.

Om de Wi-Fi-functie uit te schakelen, drukt

u 3 seconden op de TIMER (1)-knop op het apparaat.

**AFSTANDSBEDIENINGSMODI (ZIE AFBEELDING D)**

**Aan/uit (1):** Druk op deze knop om het apparaat te starten wanneer het onder spanning staat of om het apparaat te stoppen wanneer het in werking is.

**Modusknop (2):** Druk op deze knop om de bedieningsmodus te selecteren.

**Knop omhoog (4):** Druk op de omhoog-knop om de kamertemperatuur en de timerinstelling te verhogen.

**Omlaag knop (5):** Druk op de omlaag-knop om de kamertemperatuur en de timerinstelling te verlagen.

**Ventilatorknop (6):** Druk op deze knop om de ventilatorsnelheid te selecteren: Laag, Gemiddeld, Hoog.

**Auto Swing-knop (7):** Druk op deze knop om de auto-swingfunctie in of uit te schakelen.

**Slaapknop (8):** Druk op deze knop om de slaapstand te selecteren of te annuleren (alleen effectief bij koelen of verwarmen)

**Timerknop (3):** AUTO-ON-functie instellen in stand-by en AUTO-OFF wanneer het apparaat in werking is. De tijd kan worden ingesteld tussen 1-24 uur. Om de timer uit te schakelen, drukt u op de timerknop en zet u de timer op "0".

Voordat u de afstandsbediening gebruikt, moet u de AAA-batterijen als volgt plaatsen: (ZIE AFBEELDING D)

1. Schuif en verwijder voorzichtig het batterijklepje aan de achterkant van de afstandsbediening.

2. Plaats twee nieuwe AAA alkalinebatterijen in het daarvoor bestemde batterijvak en let daarbij op de juiste polariteit.

3. Bevestig het batterijklepje weer en zorg ervoor dat het vergrendelingslipje goed vastklikt.

OPMERKING!

- Gebruik alleen alkalinebatterijen. Gebruik geen oplaadbare batterijen.

- Vervang altijd beide batterijen door nieuwe; gebruik geen oude en nieuwe batterijen door elkaar.

- Verwijder de batterijen uit de afstandsbediening als de airconditioner langere tijd niet wordt gebruikt.

**OPSLAG AFSTANDSBEDIENING (ZIE AFBEELDING E)**

Plaats de afstandsbediening in het ingebouwde vak aan de achterkant van het apparaat.

OPMERKING! Om te voorkomen dat u de afstandsbediening kwijtraakt, kunt u deze het beste opbergen wanneer u deze niet gebruikt.

**WAARSCHUWING:** Als de batterij op uw huid of kleding lekt, wast u het betreffende gebied onmiddellijk grondig met schoon water. Gebruik de afstandsbediening niet als er sporen zijn van batterijlekkage. Raadpleeg onmiddellijk een arts als u batterijvloestof inslikt.

De chemicaliën in batterijen kunnen risico's met zich meebrengen, zoals brandwonden en andere gevaren voor de gezondheid.

**INSTALLATIE****VOOR HET EERSTE GEBRUIK**

Laat het apparaat 4 uur rechtop staan voordat u het in gebruik neemt.

Deze airconditioner is ontworpen voor gemakkelijke verplaatsing binnenshuis. Zorg ervoor dat het apparaat rechtop blijft staan tijdens het verplaatsen. Plaats de airconditioner op een vlakke ondergrond. In-stalleer of gebruik deze airconditioner niet in badkamers of andere natte omgevingen.

**BELANGRIJKE INFORMATIE VOORDAT U DE LUCHTSLANG INSTALLEERT**

Houd de slang tijdens het gebruik zo kort mogelijk en met zo min mogelijk bochten om de drukval en het capaciteitsverlies te minimaliseren.

De uitlaatslang moet glad blijven om oververhitting en mogelijke schade aan de airconditioner te voorkomen. De slang heeft een lengte van 280 mm-1500 mm. Vermijd verlenging van de slang of vervang-ing door een andere slang, omdat dit de werking kan beïnvloeden.

**INSTALLATIE VAN UITLAATSLANG EN BIJBEHORENDE ADAPTER. (ZIE AFBEELDING F)**

1. Verwijder de plastic zak door de uitlaatslang, het koppelstuk en de adapter uit de verpakking te halen.

2. Steek een uiteinde van de uitlaatslang uit en bevestig het ronde koppelstuk door het minimaal drie keer linksom te draaien.

3. Steek het andere uiteinde van de uitlaatslang uit en bevestig de adapter door deze ten minste drie keer linksom te draaien.

4. Plaats het voorste uiteinde van de op de daarvoor bestemde inkeping van de uitlaat op het achter-paneel. De bevestigingen vergrendelen de uitlaatslang stevig op zijn plaats.

5. Installeer de luchtafvoerslang op het apparaat.

OPMERKING! Let op de juiste oriëntatie van de schuine kant van de adapter voor eenvoudige installatie van de vensterafdichtingsplaat.

Zorg voor een veilige en goed geplaatste aansluiting van de uitlaatslang.

**INSTALLATIE VAN DE AFDICHTPLAAT VOOR HET RAAM (ZIE AFBEELDING G)**

1. Installeer het rechthoekige uiteinde van slang in de overeenkomstige rechthoekige gaten in de raamafdichtingsplaat en zet het vast met een schroef.

OPMERKING!

- Schuif de adapters naar beneden en zorg ervoor dat ze goed vastzitten.

- Controleer of de richting van het schuine paneel is uitgelijnd met de richting van de afdichtingsplaat.

- Zorg dat de slang zo recht mogelijk is voor voldoende ventilatie.

2. Open het raam tot halverwege en plaats de afdichtplaat in het raam, verticaal of horizontaal.

3. Schuif de afdichtplaatdelen uit en pas ze aan de lengte van het raam aan.

Zorg ervoor dat beide uiteinden tegen de randen van het raam komen en zet het vast met schroeven.

LET OP! Controleer of beide uiteinden van de raamafdichtingsplaat goed tegen de randen van het raam aankomen voor een goede afdichting.

Zorg ervoor dat de schroeven goed vastzitten in de juiste positie.

4. Verplaats het apparaat met de slang voor het raam en houd het apparaat minstens 50 cm uit de buurt van muren of andere voorwerpen

**DE UNIT INSCHAKELEN**

Steek de stekker in het stopcontact om het apparaat van stroom te voorzien.

Het apparaat is nu klaar voor gebruik!

**ONDERHOUD**

OPMERKING! Schakel het apparaat uit en trek de stekker uit het stopcontact voordat u onderhoud uitvoert.

**AFWATERINGSINSTRUCTIE (ZIE AFBEELDING H)**

Het meeste water wordt samen met de hete lucht via de uitlaatslang naar buiten geleid.

Als je de tank moet legen, zal het apparaat je dat laten weten. (REFER AFBEELDING C, indicator Volle tank)

Het waterreservoir legen Schroef het aftapdeksel los en haal de waterplug eruit zodat het water in de bak kan stromen.

OPMERKING:

Wees voorzichtig om lekkage te voorkomen als het apparaat verplaatst moet worden. Kantel het apparaat iets naar achteren tijdens het aftappen. Als de bak niet al het water uit het apparaat kan bevatten, moet u het afvoergat onmiddellijk blokkeren om waterlekkage te voorkomen en te vermijden dat de vloer of het tapijt nat wordt. Zorg ervoor dat de waterstop en het afvoerdeksel stevig vastzitten om te

voorkomen dat nieuw condenswater de vloer of het tapijt natmaakt wanneer het apparaat opnieuw wordt opgestart.

Sluit een waterslang aan voor continue afvoer: Schroef het afvoerdeksel los en verwijder de waterplug. Bevestig een waterslang met een binnendiameter van 12 mm aan de pijp op het apparaat. Leid het andere uiteinde van de waterslang naar een afvoer.

Zorg ervoor dat het water naar beneden kan worden afgevoerd.

OPMERKING: Er moet een afvoerslang worden geïnstalleerd als er geen water in de bak zit.

Het wordt aanbevolen om niet continu af te voeren wanneer de unit in de koelmodus staat om ervoor te zorgen dat er voldoende water wordt gerecycled in de unit om de koelingseffecten van het systeem te verbeteren. Plaats de afvoerslang op een ontoegankelijke plaats, zorg ervoor dat deze niet hoger ligt dan het afvoergat en houd de afvoerslang recht zonder bochten. Zorg ervoor dat het afvoerdeksel en de stop goed vastzitten als continue afvoer wordt gebruikt.

**MEERDERE BEVEILIGINGSFUNCTIES**

Automatische ontddooring: Het apparaat ontddoort automatisch wanneer dat nodig is. In de ontddooidstand toont het display D7 en zijn er geen knoppen actief behalve de AAN/UIT-knop.

Compressorbeveiliging: De unit heeft een compressorbeveiligingsfunctie die zorgt voor een startvertraging van 3 minuten nadat de unit opnieuw is opgestart.

Veiligheidsalarm voor volle water en : Wanneer het watervolume het aangegeven alarmniveau in het chassis van de unit overschrijdt, wordt er automatisch een waarschuwingssignaal geactiveerd, dat vergezeld gaat van het oplichten van het pictogram watervol op het LCD-scherm. In dit geval het gecon-denseerde water worden afgevoerd volgens de instructies in het hoofdstuk "Afvoerinstructies". Als het apparaat niet handmatig wordt uitgeschakeld, keert het automatisch terug naar de oorspronkelijke werk-ingsstatus zodra het condenswater volledig is afgevoerd. U kunt ook de stroom weer inschakelen om de unit opnieuw op te starten.

**OPPERVLAKTEREINIGING**

- Reinig het oppervlak van de unit met een natte, zachte doek en gebruik geen chemische oplosmiddelen zoals alcohol en benzine om schade te voorkomen.

- Reinig de vuile luchtuitlaat of lamellen met een vochtige zachte doek en een mild schoonmaakmiddel.

- Chemische oplosmiddelen mogen niet worden gebruikt voor het reinigen van de unit en mogen niet gedurende lange tijd in de buurt van de unit worden geplaatst.

- Verdunner, alcohol of soortgelijke oplosmiddelen zijn verboden voor het reinigen van de unit.

**AFWASBARE FILTERREINIGING (ZIE AFBEELDING I)**

Het is essentieel om het filter eens in de twee weken te reinigen om te voorkomen dat de prestaties van het apparaat worden beïnvloed door stofophoping. Dompel het filter onder en was het voorzichtig in warm water (ongeveer 40° C) gemengd met een neutraal reinigingsmiddel. Plaats het filter na het reinigen terug op het apparaat.

Reinig de onderste filters: Trek de onderste filters eruit, verwijder dan het achterste filter en maak het schoon.

OPMERKING Trek het filter er voorzichtig uit en verwijder het achterpaneelfilter en dan pas het zijpaneel-filter om verdraaiing of beschadiging te voorkomen. Wees voorzichtig dat u het gaas niet platdrukt en raak het gaas niet met scherpe voorwerpen of borstels.

LET OP! Zorg ervoor dat het filter op het zijpaneel is geïnstalleerd voordat u het filter op het achterpaneel installeert.

Installeer het filter in de tegenovergestelde richting van de verwijdering.

**EINDE-SEIZOEN OPSLAG**

1. Schroef het aftapdeksel los en verwijder de waterplug om het gecondenseerde water volledig af te voeren.

OPMERKING: De kantelhoek van het apparaat moet ≤ 30 graden zijn.

2. Laat het apparaat halve dag in de ventilatorstand werken om het interieur grondig te drogen en schimmelvorming te voorkomen.

3. Schakel het apparaat uit, haal de stekker uit het stopcontact en wikkel het netsnoer rond de draadspilaar.

4. Verwijder de warmteafvoerslang, maak hem schoon en berg hem op de juiste manier op.

OPMERKING: Houd de uitlaatslang met beide handen vast bij het verwijderen.

5. Duw met uw duimen de bevestigingen op de uitlaat en trek vervolgens de uitlaatgasslang eruit.

6. Verpak de airconditioner stevig in een zachte plastic zak, plaats hem op een droge plaats met geschikte stofbeschermende maatregelen en houd hem buiten het bereik van kinderen.

7. Verwijder de batterijen uit de afstandsbediening en berg ze op de juiste manier op.

OPMERKING: Zorg ervoor dat het apparaat in een droge omgeving wordt opgeslagen. Bescherm alle ac-cessoires van het apparaat om schade of beschadiging te voorkomen.

## GARANTIES

Twee jaar garantie tegen fabricagefouten. Let op: de garantie is alleen geldig op vertoon van de aankoopbon. BEWAAR UW AANKOOPBEWIJZEN! Ontvangstbewijzen zijn nodig voor elke garantieclaim tijdens de periode.

## UITGEBREIDE GARANTIE KRIJGEN

Krijg 3 jaar garantie door te registreren op warranty-woods.com.

BEWAAR UW ONTVANGSTBEWIJZEN! Alle ontvangstbewijzen zijn nodig voor elke garantieclaim tijdens de garantieperiode.



## PROBLEMEN OPLOSSEN

Controleer het apparaat en volg de onderstaande suggesties op voordat u om professionele service vraagt. Probeer het apparaat echter nooit zelf te demonteren of te repareren, want dit kan schade aan u en uw eigendommen veroorzaken. Als er problemen optreden die niet in de tabel staan of als de aanbevolen oplossingen niet werken, neem dan contact op met een professionele serviceorganisatie.

PROBLEMEN	OORZAAK	REMEDY
Het toestel start niet op.	Storing in voeding.	Sluit het apparaat aan op een werkend stopcontact en zet het aan.
	Watertank vol met overeenkomstig verlicht pictogram.	Laat het water uit het apparaat weglopen.
	De kamertemperatuur is lager dan de ingestelde temperatuur in de koelmodus of hoger in de verwarmingsmodus.	Zorg ervoor dat het apparaat werkt binnen het aanbevolen temperatuurbereik. Pas de ingestelde temperatuur aan.
Onvoldoende koeling.	Er is direct zonlicht.	Doe het gordijn dicht.
	De deuren en ramen staan open, het is druk in de kamer of er zijn andere warmtebronnen.	Sluit deuren en ramen, verwijder andere warmtebronnen en overweeg om extra airconditioners toe te voegen.
	Vuil filter.	Reinig of vervang het filtergaas.
	Luchtinlaat of luchtuitlaat verstopt.	Verwijder eventuele obstructies.
Hoog geluidsniveau.	Het toestel wordt op een oneffen oppervlak geplaatst.	Zet het apparaat op een vlakke en stevige plaats (kan het geluid verminderen)
De compressor werkt niet.	Activering van de oververhittingsbeveiliging.	Wacht tot de temperatuur daalt, het apparaat start automatisch opnieuw op.
De afstandsbediening werkt niet.	Afstand tussen unit en afstandsbediening te groot.	Breng de afstandsbediening dicht bij de airconditioner en zorg voor lucht bij de signaalontvanger op de unit.
	Afstandsbediening niet gericht op signaalontvanger op unit.	
	Batterijen leeg.	Vervang de batterijen
De code "D7 of E4" wordt weergegeven.	Antivriesbescherming.	De functies worden automatisch hersteld zodra de vorstbeveiliging voorbij is.
De code "FL" wordt weergegeven.	De watertank in het chassis is vol.	Laat het condensaat weglopen en start de unit opnieuw.

## TECHNISCHE SPECIFICATIE

MODEL NR.	CORTINA XL 14K WIFI	CORTINA XL 14K DUO WIFI	CORTINA XL 18K WIFI	CORTINA XL 18K DUO WIFI
Koelvermogen	3900W	3900W	5000W	5000W
Verwarmingscapaciteit	N/A	3500W	N/A	4000W
Stroomverbruik in koelmodus	1490W	1490W	1750W	1750W
Stroomverbruik in verwarmingsmodus	N/A	1350W	N/A	1500W
Luchtstroom	400m <sup>3</sup> /h	400m <sup>3</sup> /h	480m <sup>3</sup> /h	480m <sup>3</sup> /h
Energieklasse	A	A	A	A
Ontvochtiging	38L/D	38L/D	70L/D	70L/D
Temperatuurstelling	17-30°C	17-30°C	17-30°C	17-30°C
Bedrijfstemperatuur	17-43°C	5-43°C	17-43°C	5-43°C
EER in koelmodus	2,6	2,6	2,6	2,6
Slanglengtes	1.5M	1.5M	1.5M	1.5M
Koelgas	R290/285g	R290/285g	R290/295g	R290/295g
Geluidsniveau in koelmodus (LWA) (dB(A))	60-64 dB	60-64 dB	60-64 dB	60-64 dB
Geluidsniveau in koelmodus (LPA) (dB(A))	48-53 dB	48-53 dB	48-53 dB	48-53 dB
Netto gewicht	31.5kg	33kg	27.3kg	28.3kg
Afmetingen apparaat (H×W×D)	770×440×410mm	770×440×410mm	770×440×410mm	770×440×410mm

**Technische wijzigingen en verbeteringen zijn mogelijk. Alle waarden zijn bij benadering en kunnen variëren afhankelijk van externe omstandigheden zoals temperatuur, ventilatie en vochtigheid.**

**Aanwijzing: Milieubescherming en verwijdering**

- De consument heeft een wettelijke verplichting om elektronische apparaten, lampen en batterijen aan het einde van hun levensduur op de juiste manier af te voeren.
- Deze kunnen gratis worden ingeleverd bij openbare inzamel punten of bij dealers.
- Het verwijderen van persoonlijke gegevens is de verantwoordelijkheid van de consument zelf.
- Lampen en batterijen die veilig kunnen worden verwijderd en niet permanent zijn geïnstalleerd, moeten vooraf worden verwijderd voor gescheiden afvalverwerking.
- De landelijke wetgeving regelt de details van wettelijk conforme verwijdering.
- De markering met de doorgekruiste afvalbak markeert elektronische apparaten en batterijen die aan het einde van hun levensduur niet bij het huisvuil mogen worden gedaan.
- Onder de afvalbak aangebrachte symbolen geven eventuele ingrediënten aan die het product bevat (lood = Pb, kwik = Hg, cadmium = Cd).
- Deze scheiding is nodig omdat zowel batterijen als elektronische apparaten waardevolle grondstoffen zijn en stoffen bevatten die schadelijk zijn voor mens en milieu.
- Door batterijen en elektronische apparaten te recyclen, in te zamelen en opnieuw te gebruiken, draagt u bij aan het behoud en de bescherming van het milieu en de menselijke gezondheid.



**SUBSTANȚĂ INFLAMABILĂ.**  
Acest aparat conține R290/  
propan, un agent frigorific inflamabil.



Consultați manualul  
operatorului.



Citiți manualul tehnic.



Citiți manualul operatorului.

#### INFORMAȚII PRIVIND SIGURANȚA

Înainte de instalarea și utilizarea aparatului, citiți cu atenție instrucțiunile furnizate. Producătorul nu își asumă nicio răspundere pentru vătăările și daunele provocate de instalarea și utilizarea incorecte. Păstrați întotdeauna instrucțiunile împreună cu aparatul, pentru referință ulterioară.

#### SIGURANȚA COPIILOR ȘI A PERSOANELOR VULNERABILE



Pericol de vătămare sau handicap permanent.

Acest aparat poate fi utilizat de copiii cu vârsta de cel puțin 8 ani și de persoanele cu capacități fizice, senzoriale sau mentale reduse ori lipsite de experiență și cunoștințe, cu condiția să fie supravegheate sau instruite cu privire la utilizarea aparatului în condiții de siguranță și să înțeleagă pericolele implicate. Nu lăsați copiii să se joace cu aparatul.

Copiii cu vârsta mai mică de 3 ani trebuie să fie ținuți la distanță, cu excepția cazului în care sunt supravegheați în continuu.

Nu lăsați ambalajele la îndemâna copiilor. Curățarea și întreținerea de către utilizator nu trebuie efectuate de copii nesupravegheați.

#### SIGURANȚĂ GENERALĂ

Acest aparat este destinat utilizării în gospodării și în medii similare, cum ar fi magazine, birouri și alte medii de lucru. Plăcuța de clasificare se află pe partea laterală sau din spate a aparatului. Păstrați deschiderile de ventilație libere de obstrucții.

Nu utilizați dispozitive mecanice sau alte mijloace pentru accelerarea procesului de dezghețare, altele decât cele recomandate de producător. Aparatul nu trebuie depozitat într-o încăpăre cu surse de aprindere care funcționează în mod continuu (flăcări deschise, un dispozitiv cu gaz sau un încălzitor electric în funcțiune etc.). Nu străpungeți aparatul și nu-i dați foc. Atenție: agenții frigorifici pot fi inodori. Nu folosiți pulverizare cu apă și aburi pentru a curăța dispozitivul. Curățați aparatul cu o cârpă moale, umedă. Utilizați numai detergenți neutri. Nu folosiți produse abrazive, lavete abrazive, solvenți sau obiecte metalice. Dacă este deteriorat cablul de alimentare, acesta trebuie înlocuit de către producător, centrul autorizat de service sau persoane calificate în mod similar, pentru a se evita un pericol.

#### INSTRUCȚIUNI DE SIGURANȚĂ

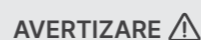


Numai o persoană calificată poate instala acest aparat.

Îndepărtați toate materialele de ambalare. Nu instalați și nu folosiți aparatul dacă este deteriorat. Dispozitivul trebuie să fie instalat, exploatat și depozitat într-o încăpăre cu o suprafață utilă mai mare decât 14 m<sup>2</sup>. Respectați cu strictețe instrucțiunile de instalare furnizate cu aparatul. Aveți întotdeauna grijă atunci când mutați dispozitivul, deoarece acesta este greu. Purtați întotdeauna mănuși de protecție.

Asigurați-vă că aerul circulă liber în jurul aparatului. Așteptați cel puțin 4 ore înainte de a conecta dispozitivul la priză. Acest lucru permite revenirea uleiului în compresor. Nu instalați dispozitivul în apropierea radiatoarelor sau a altor surse de căldură. Nu instalați aparatul în bătaia directă a razelor soarelui.

#### CONEXIUNE ELECTRICĂ



Pericol de incendiu și de electrocutare.

Aparatul trebuie să fie conectat la o priză cu împământare. Asigurați-vă că sursa de curent respectă specificațiile electrice de pe plăcuța indicatoare. În caz contrar, contactați un electrician. Utilizați întotdeauna o priză rezistentă împotriva șocurilor instalată corect. Nu utilizați adaptoare pentru multi-ștechere și cabluri prelungitoare. Asigurați-vă că nu deteriorați componentele electrice (de ex. ștecher, cablu de alimentare). Contactați centrul de service autorizat sau un electrician pentru a schimba componentele electrice. Cablul de alimentare trebuie să fie sub nivelul ștecherului. Conectați ștecherul la priza electrică numai la sfârșitul instalării. Asigurați-vă că există acces la ștecher după instalare. Nu trageți cablul de alimentare pentru a deconecta dispozitivul. Cablul de alimentare se deconectează întotdeauna ținând ștecherul.

#### UTILIZARE



Pericol de vătămare, arsuri, electrocutare sau incendiu.

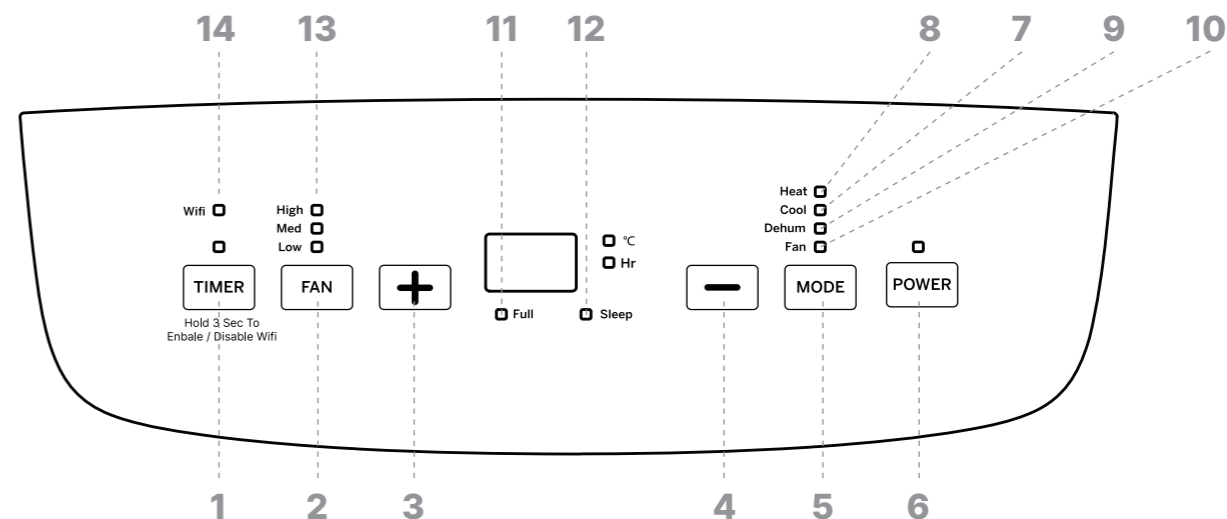
Nu modificați caracteristicile tehnice ale acestui dispozitiv. Aveți grijă să nu provocați deteriorarea circuitului de agent frigorific. Acesta conține propan (R290), un gaz natural cu un nivel ridicat de compatibilitate cu mediul. Acest gaz este inflamabil. Dacă s-a deteriorat circuitul de agent frigorific, asigurați-vă că în încăpăre nu sunt flăcări și surse de aprindere. Ventilați încăpărea. Nu puneți aproape sau pe aparat produse inflamabile sau obiecte umede cu produse inflamabile.

#### ELIMINARE



Pericol de vătămare.

Deconectați aparatul de la rețeaua de alimentare. Tăiați cablul de alimentare și aruncați-l. Circuitul de agent frigorific al acestui aparat este prietenos cu stratul de ozon. Contactați autoritatea locală pentru a obține informații despre dezafectarea corectă a aparatului. Aveți grijă să nu deteriorați partea unității de răcire aflată în apropierea schimbătorului de căldură.



Vă mulțumim pentru achiziția dvs. și pentru încrederea acordată Wood's. Acest manual vă prezintă modulele de funcționare ale AC Cortina XL.

**Mod răcire:** Răcește încăpărea la temperatura dorită. Temperatura ambientală optimă de funcționare pentru modelele de răcire este de 17-43°C.

**Mod încălzire:** Încălzește încăpărea la temperatura dorită. Temperatura ambientală optimă de funcționare atât pentru modelul de răcire, cât și pentru cel de încălzire este de 5-43°C. (Notă! Acest mod este disponibil numai pe modelul AC cu funcție Duo/ încălzire).

**Mod dezumidificare:** Reduce umiditatea din cameră.

**Mod ventilator:** Circulă aerul în cameră fără răcire.

#### INSTRUCȚIUNI DE UTILIZARE

##### PĂRȚI ALE PRODUSULUI (CONSULTAȚI IMAGINEA A ȘI B)

- Fereastra de recepție a telecomenzii
- Panou de control
- Leșire aer
- Roți
- Ansamblul filtrului superior al panoului din spate
- Suporturi pentru înfășurarea cablurilor
- Ansamblul filtrului inferior al panoului din spate
- Capac de scurgere
- Compartiment pentru telecomandă
- Intrare aer
- Leșire aer
- Kituri pentru ferestre
- Conector rotund al furtunului de evacuare

14. Furtun de evacuare

15. Adaptor la furtunul de evacuare

##### PANOUL DE CONTROL (CONSULTAȚI IMAGINEA DE MAI SUS SAU IMAGINEA C)

- Buton temporizator
- Buton viteză ventilator
- Buton sus
- Buton jos
- Butonul Mod
- Butonul de pornire
- Indicatorul modului de răcire
- Indicator mod încălzire (NOTĂ! Acest simbol este disponibil numai pe modelul AC cu funcție Duo/încălzire).
- mod de dezumidificare
- Indicator mod ventilator
- Indicator de apă plină
- Indicator mod de veghe
- Indicator de viteză a ventilatorului
- Indicator Wi-Fi. (NOTĂ! Acest simbol este disponibil numai pe modelul AC cu funcție Wi-Fi/Smart Home).

##### MODURI DE LUCRU ȘI FUNCȚII ALE PANOULUI DE CONTROL (CONSULTAȚI IMAGINEA C)

**Butonul de alimentare (6):** Apăsați acest buton pentru a activa unitatea; se va auzi un sunet melodic, iar unitatea va intra automat în modul de răcire cu o temperatură presetată de 24° C. Ventilatorul va funcționa la o viteză medie.

Pentru a dezactiva unitatea, apăsați din nou această tastă, iar un sunet melodic va semnala oprirea acesteia.

1. Când aparatul este pornit, fereastra LCD va afișa temperatura setată în modul de răcire și în modul de încălzire (NOTĂ! Simbolul de încălzire este disponibil numai pe modelul AC cu funcția Duo/

Heating) sau temperatura ambientală în modul de dezumidificare, modul ventilator. Ventilatorul va începe să funcționeze, iar fereastra de evacuare a aerului se va deschide automat.

2. Toate piesele încetează să funcționeze atunci când unitatea este oprită, iar fereastra de evacuare a aerului se va închide automat.

NOTĂ! Ventilatorul va continua să funcționeze pentru o perioadă scurtă de timp după ce mașina este oprită.

**Butonul Mod (5):** Apăsați butonul "Mode" pentru a parcurge modulele disponibile pentru confirmare.

**Mod răcire (7):** Răcește camera la temperatura setată.

**Mod încălzire (8):** Încălzește camera la temperatura setată. (NOTĂ! Acest mod este disponibil numai pe modelul AC cu Duo/ funcția de încălzire).

**Mod dezumidificare (9):** Reduce umiditatea din cameră.

**Mod ventilator (10):** Circulă și purifică aerul din cameră fără răcire.

**Buton în jos (4):** Faceți clic pentru a reduce temperatura setată sau pentru a regla în jos.

**Buton sus (3):** Faceți clic pe buton pentru a regla temperatura setată în sus.

**Buton viteză ventilator (2):** Apăsați butonul de viteză a ventilatorului pentru a selecta viteza ventila-torului la viteză mare, medie sau mică.

NOTĂ! Viteza ventilatorului nu poate fi reglată în modulele Dezumidificare și Adormire.

**Temporizator (1):** Apăsați o dată pentru a activa funcția de temporizator. Setați numărul de ore (1-24) apăsând + sau -. Când afișajul nu mai clipește, temporizatorul este setat. Pentru dezactivare, apăsați butonul temporizator de 2 ori.

**FUNCȚII LA COMBINAREA BUTOANELOR (CONSULTAȚI IMAGINEA C)**

**Funcția Sleep (Somn) (12):** Inițiați sau anulați funcția SLEEP prin apăsarea simultană a butonului TIMER (1) și a butonului Up (3). Vă rugăm să rețineți că viteza ventilatorului nu este reglabilă în funcția Sleep.

- Dacă funcția Sleep este activată în modul răcire, aceasta crește temperatura setată cu 1° C după 2 ore și apoi o crește cu încă 1° C după alte 2 ore, menținând funcționarea la această temperatură.

- Dacă funcția Sleep este activată în modul de încălzire (disponibilă numai pe modelul AC cu funcție Duo/încălzire), aceasta scade temperatura setată cu 1° C după 2 ore. Apoi o scade cu încă 1° C după alte 2 ore, funcționând la această temperatură ulterior. NOTĂ! Funcția Sleep va fi ineficientă în modul Ventila-tor, modul Dezumidificare.

Funcția Auto Swing: Activați sau dezactivați Auto-Swing apăsând simultan butonul TIMER (1) și butonul Fan speed (2).

**FUNCȚIUNEA WIFI (14):**

(Se aplică numai la modelul AC cu funcționalitate WiFi/Smart Home.)



1. Descărcați aplicația Wood's Connect din App Store sau Google Play.

2. Înregistrați-vă și urmați instrucțiunile. Acceptați toți pașii. (Citiți cu atenție Politică de confidențialitate și, dacă sunteți de acord cu acordurile, atingeți butonul de acord de jos pentru a continua).

3. Deschideți aplicația Wood's Connect și, în ecranul de pornire, apăsați "add device".

4. Pentru a intra în modul de împerechere, apăsați și mențineți apăsat butonul TIMER (1) de pe unitate timp de 3 secunde pentru a vedea că pictograma Wi-Fi de pe afișaj va clipi rapid.

5. Când descoperiți dispozitivul pe ecran, apăsați Add. De asemenea, puteți alege manual modelul.

6. Introduceți setările Wi-Fi și parola și apăsați Următorul.

7. Apăsați + pentru a adăuga unitatea.

8. Așteptați până când unitatea este adăugată, apoi apăsați Done.

Pentru a deconecta funcția Wi-Fi, apăsați butonul TIMER (1) de pe unitate timp de 3 secunde.

**MODURI DE FUNCȚIONARE A TELECOMENZII (CONSULTAȚI IMAGINEA D)**

**Alimentare (1):** Apăsați acest buton pentru a porni unitatea când este alimentată sau pentru a opri unitatea când este în funcțiune.

**Butonul Mod (2):** Apăsați acest buton pentru a selecta modul de funcționare.

**Buton sus (4):** Apăsați butonul sus pentru a crește temperatura camerei și setarea cronometrului.

**Butonul de coborâre (5):** Apăsați butonul în jos pentru a reduce temperatura camerei și setarea temporizatorului.

**Buton ventilator (6):** Apăsați acest buton pentru a selecta viteza ventilatorului: Joasă, Medie, Mare.

**Butonul Auto Swing (7):** Apăsați acest buton pentru a activa sau dezactiva funcția de balansare automată.

**Butonul Sleep (8):** Apăsați acest buton pentru a selecta sau a anula modul Sleep (eficient numai cazul funcționării cu răcire sau încălzire)

**Butonul temporizator (3):** Setati funcția AUTO-ON în starea de așteptare și AUTO-OFF atunci când unitatea este în funcțiune. Timpul poate fi reglat între 1-24 de ore. Pentru a opri temporizatorul, apăsați butonul temporizatorului și setati temporizatorul pe "0".

Înainte de a utiliza telecomanda, bateriile AAA urmând acești pași: (CONSULTAȚI IMAGINEA D)

1. Glisați și îndepărtați ușor capacul bateriei situat pe partea din spate a .

2. Introduceți două baterii alcaline AAA noi în compartimentul destinat bateriilor, asigurând polaritatea corectă.

3. Reatașați capacul bateriei, asigurându-vă că fila de blocare se fixează bine în poziție.

NOTĂ!

- Utilizați numai baterii alcaline. Nu utilizați baterii reîncărcabile.

- Înclocuiți întotdeauna ambele baterii cu noi; nu le amestecați pe cele vechi și pe cele noi.

- Scoateți bateriile de pe dacă aparatul de aer condiționat nu va fi utilizat pentru o perioadă îndelungată.

**STOCAREA TELECOMENZII (CONSULTAȚI IMAGINEA E)**

Introduceți telecomanda într-un compartiment încorporat pe partea din spate a aparatului.

NOTĂ! Pentru a evita pierderea telecomenzii, vă rugăm să o puneți în locul de depozitare atunci nu o utilizați.

AVERTISMENT: În cazul scurgerii bateriei pe piele sau pe haine, spălați imediat zona afectată cu apă curată. Abțineți-vă

de la utilizarea dacă există vreo dovadă de scurgere a bateriei. În cazul ingerării lichidului bateriei, solicitați imediat asistență medicală.

Substanțele chimice prezente în baterii pot prezenta riscuri precum arsuri și alte pericole pentru sănătate.

**INSTALARE****ÎNAINTE DE PRIMA UTILIZARE**

Lăsați unitatea să stea în poziție verticală timp de 4 ore înainte de utilizare.

Acest aparat de aer condiționat este proiectat pentru o mutare convenabilă în interior. Asigurați-vă că unitatea rămâne în poziție verticală în timpul deplasării. aparatul de aer condiționat pe o suprafață plană. Nu instalați sau nu utilizați acest aparat de aer condiționat în băi sau în alte medii umede.

**INFORMAȚII IMPORTANTE ÎNAINTE DE INSTALAREA FURTUNULUI DE AER**

În timpul funcționării, mențineți furtunul cât mai scurt și cu cât mai puține curbe posibil pentru a minimiza căderea de presiune și pierderea de capacitate.

Furtunul de evacuare trebuie să rămână neted pentru a preveni supraîncălzirea și eventualele deteriorări ale aparatului de aer condiționat. Furtunul are o lungime de 280 mm-1500 mm. Evitați prelungirea furtunului sau înlocuirea acestuia cu un alt furtun, care poate afecta funcționarea.

**INSTALAREA ANSAMBLULUI FURTUNULUI DE EVACUARE ȘI A ADAPTORULUI ACESTUIA. (CONSULTAȚI IMAGINEA F)**

1. Scoateți punga de plastic extrăgând furtunul de evacuare, conectorul acestuia și adaptorul din ambalaj.

2. Extindeți un capăt al furtunului de evacuare și fixați conectorul rotund prin rotirea acestuia în sens antiorar timp de cel puțin trei rotații.

3. Întindeți celălalt capăt al furtunului de evacuare și fixați adaptorul prin rotirea acestuia în sens anti-orar timp de cel puțin trei rotații.

4. Așezați capătul din față al ansamblului furtunului de evacuare pe creștătura desemnată prizei de evac-uare a aerului situată pe panoul din spate. Elementele de fixare vor bloca în siguranță ansamblul furtunului de evacuare în poziție.

5. Instalați furtunul de evacuare a aerului pe unitate.

NOTĂ! Asigurați-vă de orientarea corectă părții înclinate a adaptorului pentru instalarea ușoară a plăcii de etanșare a ferestrei.

Mențineți o conexiune sigură și bine poziționată a furtunului de evacuare.

**INSTALAREA PLĂCII DE ETANȘARE A FERESTREI (CONSULTAȚI IMAGINEA G)**

1. Instalați capătul dreptunghiular al ansamblului furtunului în găurile dreptunghiulare corespunzătoare din ansamblul plăcii de etanșare a ferestrei, fixați-l cu un șurub.

NOTĂ!

- Glisați adaptorul în jos, asigurându-vă că este bine instalat.

- Confirmați că direcția panoului înclinat se aliniază cu direcția plăcii de etanșare.

- Asigurați-vă că furtunul este cât mai drept posibil pentru a asigura o ventilație adecvată.

2. Deschideți fereastra la jumătate și introduceți placa de etanșare în fereastră, poziționând-o vertical sau orizontal.

3. Extindeți piesele plăcii de etanșare și reglați-le pentru a se potrivi cu lungimea ferestrei.

Asigurați-vă că ambele capete se întâlnesc cu marginile ferestrei și fixați-l în poziție folosind șuruburi.

NOTĂ! Confirmați că ambele capete ale plăcii de etanșare a ferestrei se întâlnesc efectiv cu marginile ferestrei pentru o etanșare corespunzătoare.

Asigurați-vă că șuruburile sunt bine strânse poziția corectă.

4. Deplasați aparatul cu furtunul montat în fața ferestrei și mențineți aparatul la cel puțin 50 cm distanță de pereți sau alte obiecte

**ALIMENTAȚI UNITATEA**

Pentru a alimenta unitatea, conectați-o la priză.

Unitatea este acum gata de utilizare!

**ÎNȚREȚINERE**

NOTĂ! Opriti unitatea și scoateți ștecherul înainte de întreținere.

**INSTRUCȚIUNI DE DRENAJ (CONSULTAȚI IMAGINEA H)**

Cea mai mare parte a apei va fi evacuată în mod natural prin furtunul de evacuare împreună cu aerul cald.

Dacă trebuie să goliți rezervorul, unitatea va va anunța. (A se vedea IMAGINEA C, Indicator plin)

Pentru a goli rezervorul de apă: Deșurubați capacul de scurgere și scoateți fișa de apă pentru a permite apei să curgă în tavă. NOTĂ:

Acționați cu prudență pentru a preveni scurgerile dacă unitatea trebuie să fie mutată. Înclinați ușor unitatea în spate în timpul scurgerii. Dacă tava nu poate

conține toată apa din unitate, blocați prompt ori-ficiul de scurgere pentru a preveni scurgerile de apă și pentru a evita umezirea podelei sau a covorului. Asigurați-vă că dopul de apă și capacul de scurgere sunt bine instalate pentru a evita ca apa condensată nouă să ude podeaua sau covorul la repornirea unității.

Conectarea unui furtun de apă pentru scurgere continuă: Deșurubați capacul de scurgere și scoateți dopul de apă. Atașați un furtun de apă cu diametrul interior de 12 mm la țeava de pe unitate. Conduceți celălalt capăt al furtunului de apă la o scurgere.

Asigurați-vă că apa poate fi drenată în jos.

NOTĂ: Trebuie instalat un furtun de scurgere atunci când nu există apă în tavă.

Se recomandă să nu folosiți drenajul continuu atunci când unitatea este în modul de răcire, pentru a asigura reciclarea unei cantități suficiente de apă interiorului unității pentru a spori efectele de răcire ale sistemului. Plasați furtunul de scurgere într-un loc inaccesibil, asigurându-vă că nu este poziționat mai sus decât orificiul de scurgere și mențineți furtunul de scurgere drept, îndoitori. Asigurați-vă că capacul de scurgere și bușonul acestuia sunt fixate corespunzător atunci când se utilizează scurgerea continuă.

**FUNCȚII DE PROTECȚIE MULTIPLE**

Dezghetare automată: Aparatul va dezghetă automat atunci când este necesar. În modul de dezghetare, afișajul arată D7 și niciun buton, cu excepția butonului POWER, nu este activ.

Protecție compresor: Unitatea are o funcție de protecție a compresorului care determină o întârziere de pornire de 3 minute după repornirea unității.

Alarmă de siguranță pentru umplerea cu apă și funcție de protecție la oprire: Atunci când de apă depășește nivelul de alarmă desemnat în cadrul șasiului unității, se declanșează o alertă de avertizare automată, însoțită de iluminarea pictogramei de umplere cu apă pe ecranul LCD. În acest caz, este necesar să scurgeți apa condensată urmând instrucțiunile furnizate în secțiunea "Instrucțiuni de scurgere". Dacă unitatea nu este oprită manual, aceasta va reveni automat la starea sa inițială de funcționare odată ce apa condensată este complet drenată. Alternativ, reconectați alimentarea pentru a reporni unitatea.

**CURĂȚAREA SUPRAFETELOR**

- Curățați suprafața unității cu o cârpă umedă și moale și nu utilizați solvenți chimici, cum ar fi alcoolul și benzina, pentru a evita orice deteriorare.

- Curățați priza de aer sau lamelele murdare cu o cârpă moale umedă și detergent ușor.

- Este interzisă utilizarea oricărui solvent chimic pentru curățarea unității sau plasarea unor astfel de lucruri în

apropierea unității pentru o perioadă lungă de timp.

- Pentru curățarea unității sunt interzise diluantul, alcoolul-glazură sau solvenții similari.

**CURĂȚAREA FILTRULUI LAVABIL (CONSULTAȚI IMAGINEA I)**

Este esențial să curățați filtrul o dată la două săptămâni pentru a preveni ca performanța aparatului să fie afectată de acumularea de praf. Scufundați și spălați ușor filtrul în apă caldă (aproximativ 40° C) amestecată cu un detergent neutru. După curățare, reinstalați-l la loc pe unitate.

Curățați filtrele inferioare: Scoateți filtrele inferioare, apoi scoateți filtrul din spate și .

NOTĂ! Scoateți ușor filtrul, îndepărtând prioritate filtrul de pe panoul din spate înainte de filtrul de pe panoul lateral pentru a preveni orice răsucire sau deteriorare. Aveți grijă să nu striviți plasa și evitați să loviți plasa cu obiecte ascuțite sau perii.

NOTĂ! Asigurați-vă că filtrul este instalat panoul lateral înainte de a instala filtrul panoul din spate.

Instalați filtrul în direcția opusă scoaterii.

**DEPOZITAREA LA SFÂRȘIT DE SEZON**

1. Deșurubați capacul de scurgere și scoateți dopul de apă pentru a scurge complet apa condensată.

NOTĂ: Unghiul de înclinare al unității trebuie să fie ≤ 30 de grade.

2. Funcționați unitatea în modul ventilator timp de o jumătate de zi pentru a usca bine interiorul și a preveni apariția mușcăliului.

3. Opriti aparatul, scoateți-l din priză, înfășurați cablul de alimentare în jurul pilonului de înfășurare a firelor.

4. Scoateți ansamblul furtunului de evacuare a căldurii, curățați-l și depozitați-l corespunzător.

NOTĂ: Țineți ansamblul furtunului de evacuare cu ambele mâini atunci când îl scoateți.

5. Împingeți la o parte elementele de fixare de pe priza de evacuare a aerului cu ajutorul degetelor mari, apoi ansamblul furtunului de evacuare.

6. Împachetați bine aparatul de aer condiționat într-o pungă de plastic moale, amplasați-l într-un loc uscat, cu măsuri adecvate de protecție împotriva prafului, și departe de îndemâna copiilor.

7. Scoateți bateriile de pe și depozitați-le corespunzător.

NOTĂ: Asigurați-vă că unitatea este depozitată într-un mediu uscat. Păstrați toate accesoriile unității în mod colectiv pentru a preveni deteriorarea sau deteriorarea.

## GARANȚII

Garanție de doi ani împotriva defectelor de fabricație. Vă rugăm să rețineți că garanția este valabilă numai la prezentarea chitanței de cumpărare. PĂSTRAȚI-VĂ CHITANȚELE! Chitanțele vor fi necesare pentru orice solicitare de garanție în această perioadă.

## OBTINEȚI GARANȚIE EXTINSĂ

Obțineți o garanție de 3 ani înregistrându-vă la warranty-woods.com.

PĂSTRAȚI-VĂ CHITANȚELE! Toate chitanțele vor fi necesare pentru orice solicitare de garanție în această perioadă.



## REZOLVAREA PROBLEMELOR

Vă rugăm să verificați aparatul și să urmați sugestiile de mai jos înainte de a solicita asistență profesională. Cu toate acestea, nu încercați niciodată să demontați sau să reparați singur unitatea, deoarece vă puteți afecta pe dumneavoastră și bunurile dumneavoastră. Dacă apar probleme care nu sunt enumerate în tabel sau dacă soluțiile recomandate nu funcționează, vă rugăm să contactați o organizație profesională de service.

PROBLEME	CAUZA	REMEDIU
Unitatea nu reușește să pornească.	Înteruperea alimentării cu energie electrică.	Conectați aparatul la o priză sub tensiune și porniți-l.
	Rezervor de apă plin cu pictograma iluminată corespunzătoare.	Scurgeți apa stocată în unitate.
	Temperatura camerei este mai mică decât temperatura setată în modul Răcire sau mai mare în modul Încălzire.	Asigurați-vă că unitatea funcționează în intervalul de temperatură recomandat. Reglați temperatura setată.
Răcire insuficientă.	Există lumină solară directă.	Închideți perdeaua de la fereastră.
	Ușile și ferestrele sunt deschise, camera este aglomerată sau există alte surse de căldură.	Închideți ușile și ferestrele, îndepărtați alte surse de căldură și luați în considerare adăugarea de aparate de aer condiționat suplimentare.
	Filtru murdar.	Curățați sau înlocuiți plasa filtrului.
	Intrarea sau ieșirea de aer este înfundată.	Îndepărtați orice obstacol.
Nivel ridicat de zgomot.	Unitatea este amplasată pe o suprafață neuniformă.	Așezați unitatea într-un loc plat și ferm (poate reduce zgomotul)
Compresorul nu funcționează.	Inițierea protecției la supraîncălzire.	Așteptați până când temperatura scade, aparatul va reporni automat
Telecomanda nu funcționează.	Distanța dintre unitate și telecomandă este prea mare.	Apropiati telecomanda de aparatul de aer condiționat și asigurați aerul la receptorul de semnal de pe unitate.
	Telecomanda nu este îndreptată spre receptorul de semnal de pe unitate.	
	Bateriile s-au epuizat.	Înlocuiți bateriile
Se afișează codul "D7 sau E4".	Protecție anti-îngheț.	Funcțiile vor fi restabilite automat odată ce protecția anti-îngheț se termină.
Se afișează codul "FL".	Rezervorul de apă din șasiu este plin.	Scurgeți condensul și porniți din nou unitatea.

## SPECIFICAȚII TEHNICE

MODEL NO.	CORTINA XL 14K WIFI	CORTINA XL 14K DUO WIFI	CORTINA XL 18K WIFI	CORTINA XL 18K DUO WIFI
Capacitate de răcire	3900W	3900W	5000W	5000W
Capacitate de încălzire	N/A	3500W	N/A	4000W
Consumul de energie în modul de răcire	1490W	1490W	1750W	1750W
Consumul de energie în modul de încălzire	N/A	1350W	N/A	1500W
Fluxul de aer	400m <sup>3</sup> /h	400m <sup>3</sup> /h	480m <sup>3</sup> /h	480m <sup>3</sup> /h
Clasa energetică	A	A	A	A
Dezumidificare	38L/D	38L/D	70L/D	70L/D
Setarea temperaturii	17-30°C	17-30°C	17-30°C	17-30°C
Temperatura de lucru	17-43°C	5-43°C	17-43°C	5-43°C
EER în modul răcire	2,6	2,6	2,6	2,6
Lungimi de furtun	1.5M	1.5M	1.5M	1.5M
Gaz refrigerant	R290/285g	R290/285g	R290/295g	R290/295g
Nivelul sonor în modul de răcire (LWA) (dB(A))	60-64 dB	60-64 dB	60-64 dB	60-64 dB
Nivelul sonor în modul de răcire (LPA) (dB(A))	48-53 dB	48-53 dB	48-53 dB	48-53 dB
Greutate netă	31.5kg	33kg	27.3kg	28.3kg
Dimensiuni dispozitiv (H×L×P)	770×440×410mm	770×440×410mm	770×440×410mm	770×440×410mm

**Pot apărea modificări și îmbunătățiri tehnice. Toate valorile sunt aproximative și pot varia în funcție de circumstanțe externe, cum ar fi temperatura, ventilația și umiditatea.**

**Notă: Protecția mediului și eliminarea**

- Consumatorii sunt obligați prin lege să elimine în mod corespunzător dispozitivele electronice, lămpile și bateriile la sfârșitul duratei lor de viață.
- Acestea pot fi returnate gratuit la punctele de colectare publice desemnate sau prin intermediul comercianților cu amănuntul.
- Ștergerea datelor cu caracter personal este responsabilitatea consumatorului.
- Becurile și bateriile care pot fi îndepărtate în siguranță și nu sunt instalate permanent trebuie separate pentru a fi eliminate separat.
- Detaliile privind eliminarea în conformitate cu legislația sunt reglementate de legislația regională.
- Simbolul unui coș de gunoi barat indică faptul că dispozitivele electronice și bateriile nu trebuie niciodată eliminate împreună cu deșeurile menajere după expirarea duratei lor de viață.
- Simbolurile plasate sub coșul de gunoi indică prezența posibilă a anumitor substanțe (plumb = Pb, mercur = Hg, cadmiu = Cd).
- Această separare este necesară deoarece bateriile și dispozitivele electronice conțin atât resurse valoroase, cât și substanțe nocive pentru oameni și mediu.
- Prin reciclarea, colectarea și reutilizarea bateriilor și a dispozitivelor electronice adecvate, contribuiți la conservarea și protejarea mediului și a sănătății umane.



**MATERIAŁ ŁATWOPALNY.**  
Urządzenie zawiera R290/  
Propan, łatwopalny czynnik chłodniczy.



Patrz instrukcja obsługi.



Przeczytaj instrukcję techniczną.



Przeczytaj instrukcję obsługi.

#### INFORMACJE DOTYCZĄCE BEZPIECZEŃSTWA

Przed zainstalowaniem i użytkowaniem urządzenia należy uważnie zapoznać się z dołączoną instrukcją obsługi. Producent nie ponosi odpowiedzialności w razie odniesienia obrażeń bądź powstania szkód na skutek nieprawidłowego montażu lub niewłaściwego użytkowania. Instrukcję obsługi urządzenia przechowuj zawsze razem z urządzeniem, żeby w razie potrzeby móc się do niej odwołać w przyszłości.

#### BEZPIECZEŃSTWO DZIECI ORAZ OSÓB SZCZEGÓLNIIE PODATNYCH NA ZAGROŻENIA

##### OSTRZEŻENIE ⚠

Niebezpieczeństwo odniesienia obrażeń i trwałej utraty sprawności.

Urządzenie będące przedmiotem tej instrukcji może być użytkowane przez dzieci w wieku od lat 8 wzwyż, przez osoby o ograniczonej sprawności ruchowej, sensorycznej bądź umysłowej oraz przez osoby niemające odpowiedniego doświadczenia tylko pod warunkiem, że podczas użytkowania pozostają pod nadzorem albo zostały uprzednio poinstruowane w zakresie bezpiecznego użytkowania urządzenia i rozumieją związane z tym zagrożenia. Nie zezwalać dzieciom na zabawę urządzeniem.

Dzieci poniżej 3. roku życia powinny przebywać z dala od urządzenia, chyba że znajdują się pod stałym

nadzorem.

Przechowywać wszystkie opakowania z dala od dzieci. Czyszczenie i konserwacja przez użytkownika nie mogą być wykonywane przez dzieci bez nadzoru.

#### BEZPIECZEŃSTWO OGÓLNE

To urządzenie jest przeznaczone do użytku w gospodarstwach domowych i podobnych środowiskach, takich jak sklepy, biura i inne środowiska pracy. Tabliczka znamionowa znajduje się z boku lub z tyłu urządzenia. Otwory wentylacyjne powinny być wolne od przeszkód.

Procesu rozmrażania nie należy przyspieszać za pomocą urządzeń mechanicznych ani żadnych środków innych niż zalecane przez producenta. Urządzenie nie może być przechowywane w pomieszczeniu, w którym stale działają źródła zapłonu (otwarty ogień, pracujące urządzenie gazowe, pracujący grzejnik elektryczny itp.). Nie dziurawić i nie przypalać. Należy pamiętać, że czynniki chłodnicze mogą nie wydzielać zapachu. Nie czyścić urządzenia rozpyloną wodą ani parą. Czyścić urządzenie wilgotną, miękką ściereczką. Stosować wyłącznie detergenty obojętne. Nie używać substancji ściernych, szorstkich akcesoriów czyszczących, rozpuszczalników ani przedmiotów metalowych. Jeśli przewód zasilający jest uszkodzony, musi zostać wymieniony przez producenta, w autoryzowanym punkcie serwisowym lub przez wykwalifikowane osoby, aby uniknąć zagrożenia.

#### WSKAZÓWKI BEZPIECZEŃSTWA

##### OSTRZEŻENIE ⚠

Urządzenie może być instalowane wyłącznie przez wykwalifikowaną osobę.

Usunąć wszystkie opakowania. Urządzenia uszkodzonego nie instalować ani nie używać. Urządzenie powinno być zainstalowane, obsługiwane i przechowywane w pomieszczeniu o powierzchni podłogi większej niż 14m<sup>2</sup>. Należy ściśle przestrzegać instrukcji montażu dostarczonej wraz z urządzeniem. Zawsze należy zachować ostrożność podczas przenoszenia urządzenia, ponieważ jest ciężkie. Zawsze nosić rękawice ochronne.

Dopilnować, żeby powietrze mogło krążyć wokół urządzenia. Odczekać co najmniej 4 godziny przed podłączeniem urządzenia do gniazda zasilania. Ma to na celu umożliwienie powrotu oleju do sprężarki. Nie instalować urządzenia w pobliżu grzejników bądź innych źródeł ciepła. Nie należy instalować urządzenia w miejscu narażonym na bezpośrednie

działanie promieni słonecznych.

#### PODŁĄCZENIE ELEKTRYCZNE

##### OSTRZEŻENIE ⚠

Niebezpieczeństwo pożaru i porażenia prądem elektrycznym.

Urządzenie musi być podłączone do uziemionego gniazdka. Upewnić się, że informacje elektryczne na tabliczce znamionowej są zgodne z parametrami zasilania. W przeciwnym razie skontaktować się z elektrykiem. Należy zawsze używać prawidłowo zainstalowanego gniazda odpornego na wstrząsy. Nie należy używać adapterów i przedłużaczy wielogniazdowych. Należy uważać, aby nie uszkodzić elementów elektrycznych (np. wtyczki, kabla). W celu wymiany części elektrycznych należy skontaktować się z autoryzowanym punktem serwisowym lub elektrykiem. Kabel musi znajdować się poniżej poziomu wtyczki. Podłączyć wtyczkę do gniazdka elektrycznego dopiero po zakończeniu instalacji. Po zakończeniu instalacji należy upewnić się, że wtyczka jest podłączona do gniazdka. Nie ciągnąć za kabel zasilający w celu odłączenia urządzenia. Kabel zasilający należy zawsze odłączać tylko od wtyczki.

#### UŻYTKOWANIE

##### OSTRZEŻENIE ⚠

Niebezpieczeństwo obrażeń, oparzeń, porażenia prądem elektrycznym lub pożaru.

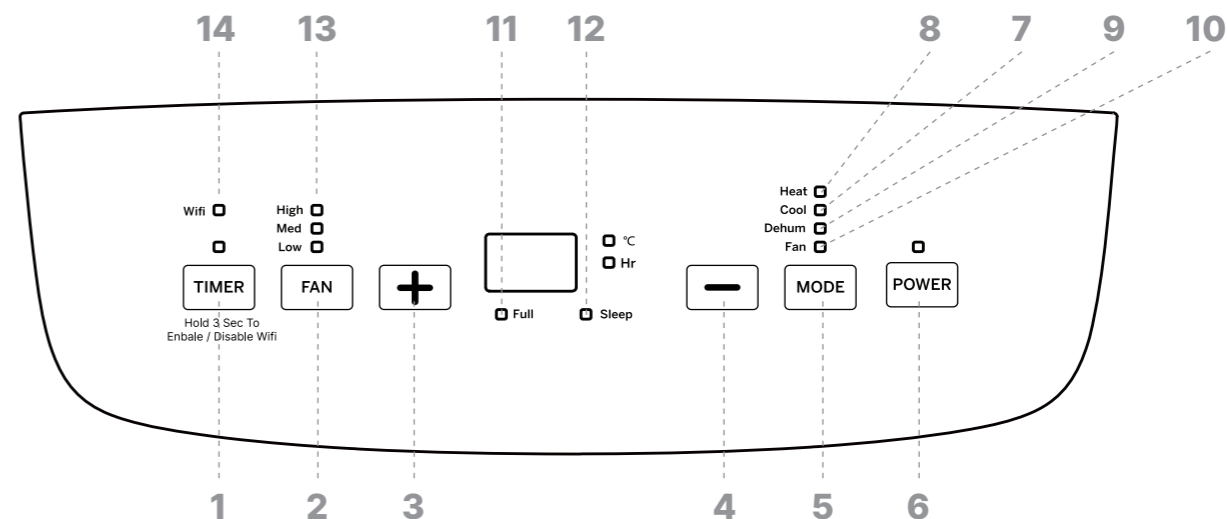
Nie należy zmieniać specyfikacji urządzenia. Uważać, aby nie uszkodzić obiegu czynnika chłodniczego. Zawiera on propan (R290), gaz ziemny o wysokim poziomie ekologiczności. Gaz ten jest łatwopalny. Jeśli obieg czynnika chłodniczego ulegnie uszkodzeniu, należy upewnić się, że w pomieszczeniu nie ma płomieni ani źródeł zapłonu. Przewietrzyć pomieszczenie. Nie należy umieszczać produktów łatwopalnych lub mokrych przedmiotów z produktami łatwopalnymi w pobliżu lub na urządzeniu.

#### UTYLIZACJA

##### OSTRZEŻENIE ⚠

Niebezpieczeństwo odniesienia obrażeń.

Odłączyć urządzenie od zasilania sieciowego. Odłączyć kabel sieciowy i wyrzucić go. Obieg czynnika chłodniczego urządzenia jest przyjazny dla warstwy ozonowej. Należy skontaktować się z lokalnymi władzami, aby uzyskać informacje o tym, jak prawidłowo pozbyć się urządzenia. Nie wolno dopuścić do uszkodzenia części zespołu chłodzenia urządzenia położonej przy wymienniku ciepła.



Dziękujemy za zakup i zaufanie firmie Wood's. Niniejsza instrukcja przedstawia tryby pracy klimatyzatora AC Cortina XL.

**Tryb chłodzenia:** Chłodzi pomieszczenie do żądanej temperatury. Optymalna temperatura otoczenia dla modeli chłodzących wynosi 17-43°C.

**Tryb ogrzewania:** Ogrzewa pomieszczenie do żądanej temperatury. Optymalna temperatura otoczenia dla modeli chłodzących i grzewczych wynosi 5-43°C. (Uwaga! Ten tryb jest dostępny tylko w modelu AC z funkcją Duo/grzewania).

**Tryb osuszania:** Zmniejsza wilgotność w pomieszczeniu.

**Tryb wentylatora:** Cyrkuje powietrze w pomieszczeniu bez chłodzenia.

## INSTRUKCJA OBSŁUGI

#### CZĘŚCI PRODUKTU (PATRZ ILUSTRACJE A I B)

- Okno odbiorcze pilota zdalnego sterowania
- Panel sterowania
- Wylot powietrza
- Koła
- Zespół górnego filtra panelu tylnego
- Wsporniki do nawijania kabli
- Zespół dolnego filtra panelu tylnego
- Pokrywa spustu
- Komora pilota zdalnego sterowania
- Wlot powietrza
- Wylot powietrza
- Zestawy okienne
- Okrągłe złącze węża wydechowego
- Wąż wydechowy
- Adapter do węża wydechowego

#### PANEL STEROWANIA (PATRZ POWYŻEJ LUB OBRAZEK C)

- Przycisk timera
- Przycisk prędkości wentylatora
- Przycisk w górę
- Przycisk w dół
- Przycisk trybu
- Przycisk zasilania
- Wskaźnik trybu chłodzenia
- Wskaźnik trybu ogrzewania (UWAGA! Ten symbol jest dostępny tylko w modelu AC z funkcją Duo/ogrzewania).
- trybu osuszania
- Wskaźnik trybu wentylatora
- Wskaźnik napelnienia wodą
- Wskaźnik trybu uspienia
- Wskaźnik prędkości wentylatora
- Wskaźnik Wi-Fi. (UWAGA! Ten symbol jest dostępny tylko w modelu AC z funkcją Wi-Fi/Smart Home).

#### TRYBY PRACY I FUNKCJE PANELU STEROWANIA (PATRZ ILUSTRACJA C)

**Przycisk zasilania (6):** Naciśnij ten przycisk, aby włączyć urządzenie; zostanie odtworzony melodyjny dźwięk, a urządzenie automatycznie przejdzie w tryb chłodzenia z ustawioną temperaturą 24°C. Wentylator będzie pracował ze średnią prędkością.

Aby urządzenie, należy ponownie nacisnąć ten przycisk, co zostanie zasygnalizowane melodyjnym dźwiękiem.

1. Gdy urządzenie jest włączone, okno LCD ustawioną temperaturę w trybie chłodzenia i ogrzewania (UWAGA! Symbol ogrzewania jest dostępny tylko w modelu AC z funkcją Duo/Heating) lub temperaturę otoczenia w trybie osuszania, trybie wentylatora. Wentylator zacznie pracować, a okno wylotu powietrza otworzy się automatycznie.

2. Wszystkie części przestają działać, gdy urządzenie jest wyłączone, a okno wylotu powietrza zamyka się automatycznie.

Wentylator będzie działał jeszcze przez krótki czas po wyłączeniu urządzenia.

**Przycisk trybu (5):** Naciśnij przycisk "Mode" (Tryb), aby przełączać się między dostępnymi trybami w celu potwierdzenia.

**Tryb chłodzenia (7):** Chłodzi pomieszczenie do ustawionej temperatury.

**Tryb ogrzewania (8):** Ogrzewa pomieszczenie do ustawionej temperatury. (UWAGA! Ten tryb jest dostępny tylko w modelu AC z Duo/funkcją ogrzewania).

**Tryb osuszania (9):** Zmniejsza wilgotność w pomieszczeniu.

**Tryb wentylatora (10):** Cyrkuje i oczyszcza powietrze w pomieszczeniu bez chłodzenia.

**Przycisk w dół (4):** Kliknij, aby zmniejszyć ustawioną temperaturę lub wyregulować ją w dół.

**Przycisk w górę (3):** Kliknij przycisk, aby wyregulować ustawioną temperaturę w górę.

**Przycisk prędkości wentylatora (2):** Naciśnij prędkości wentylatora, aby wybrać wysoką, średnią lub niską prędkość wentylatora.

UWAGA: Prędkości wentylatora nie można regulować w trybach osuszania i uspienia.

**Timer (1):** Naciśnij raz, aby włączyć funkcję timera. Ustaw liczbę godzin (1-24), naciskając + lub -. Gdy wyświetlacz przestanie migać, timer jest ustawiony. Aby wyłączyć, naciśnij przycisk timera 2 razy.

#### FUNKCJE PODCZAS ŁĄCZENIA PRZYCIŚKÓW (PATRZ ILUSTRACJA C)

**Funkcja uspienia (12):** Uruchom lub anuluj funkcję SLEEP, naciskając jednocześnie przycisk TIMER (1) i przycisk Up (3). Należy pamiętać, że prędkość wentylatora nie jest regulowana w funkcji uspienia.

- Jeśli funkcja uspienia zostanie

aktywowana w trybie chłodzenia, podniesie ona ustawioną temperaturę o 1° C po 2 godzinach, a następnie podniesie ją o dodatkowe 1° C po kolejnych 2 godzinach, utrzymując działanie w tej temperaturze.

- Jeśli funkcja uśpienia jest aktywowana w trybie ogrzewania (dostępna tylko w modelu AC z funkcją Duo/ogrzewania), obniża ona ustawioną temperaturę o 1° C po 2 godzinach. Następnie obniża ją o do-datkowe 1° C po kolejnych 2 godzinach, działając w tej przez kolejne 2 godziny. UWAGA! Funkcja uśpienia będzie nieskuteczna w trybie wentylatora i osuszania.

**Funkcja Auto Swing:** Aktywuj lub dezaktywuj funkcję Auto-Swing, naciskając jednocześnie przycisk TIM-ER (1) i przycisk prędkości wentylatora (2).

#### FUNKCJA WIFI (14):

(dotyczy tylko modelu AC z funkcją WiFi/Smart Home).

Wood's



1. Pobierz aplikację Wood's Connect z App Store lub Google Play.

2. Zarejestruj się i postępuj zgodnie z instrukcjami. Zaakceptuj wszystkie kroki. (Uważnie przeczytaj Poli-tykę prywatności i jeśli zgadzasz się z umowami, naciśnij przycisk "Zgadzam się", aby kontynuować).

3. Otwórz aplikację Wood's Connect i na ekranie naciśnij "dodaj urządzenie".

4. Aby przejść do trybu parowania, naciśnij i przytrzymaj przycisk TIMER (1) na urządzeniu przez 3 sekundy, aż ikona Wi-Fi na wyświetlaczu zacznie szybko migać.

5. Po wykryciu urządzenia na naciśnij przycisk Dodaj. Model można również wybrać ręcznie.

6. Wprowadź ustawienia Wi-Fi i hasło, a następnie naciśnij przycisk Dalej.

7. Naciśnij +, aby dodać jednostkę.

8. Poczekaj, aż urządzenie zostanie dodane, a następnie naciśnij przycisk done.

Aby wyłączyć funkcję Wi-Fi, naciśnij przycisk TIMER (1) na urządzeniu i przytrzymaj go przez 3 sekundy.

#### TRYBY PRACY PILOTA ZDALNEGO STEROWANIA (PATRZ ILUSTRACJA D)

**Zasilanie (1):** Naciśnij ten przycisk, aby uruchomić urządzenie, gdy jest pod napięciem, lub zatrzymać urządzenie, gdy w trakcie pracy.

**Przycisk trybu (2):** Naciśnij ten przycisk, aby wybrać tryb pracy.

**Przycisk w górę (4):** Naciśnij przycisk w górę, aby zwiększyć temperaturę w pomieszczeniu i ustawienie timera.

**Przycisk w dół (5):** Naciśnij przycisk w dół, aby zmniejszyć temperaturę w pomieszczeniu i ustawienie timera.

**Przycisk wentylatora (6):** Naciśnij ten przycisk, aby wybrać prędkość wentylatora: Niska, Średnia, Wysoka.

**Przycisk Auto Swing (7):** Naciśnij ten przycisk, aby włączyć lub wyłączyć funkcję automatycznego obrotu.

**Przycisk uśpienia (8):** Naciśnij ten przycisk, aby wybrać lub anulować tryb uśpienia (działa tylko w trybie chłodzenia lub ogrzewania).

**Przycisk wyłącznika czasowego (3):** Umożliwia ustawienie funkcji AUTO-ON w trybie gotowości i AUTO-OFF podczas pracy urządzenia. Czas można ustawić w zakresie od 1 do 24 godzin. Aby wyłączyć timer, naciśnij przycisk timera i ustaw timer na "0".

Przed użyciem pilota należy zainstalować baterie AAA, wykonując poniższe czynności: (PATRZ ILUSTRACJA D)

1. Przesuń i delikatnie zdejmij pokrywę baterii znajdującą się z tyłu pilota zdalnego sterowania.

2. Włóż dwie nowe baterie alkaliczne AAA do przeznaczonych na nie komór, zwracając uwagę na prawidłową biegunowość.

3. Ponownie załóż pokrywę baterii, upewniając się, że zatrzask blokujący zatrzasknął się na swoim miejscu.

UWAGA!

- Należy używać wyłącznie baterii alkalicznych. Nie należy używać akumulatorów.

- Zawsze wymieniaj obie baterie nowe; nie mieszaj starych baterii z nowymi.

- Jeśli klimatyzator nie będzie przez dłuższy czas, należy wyjąć baterie z pilota zdalnego sterowania.

#### SCHOWEK NA PILOTA (PATRZ ILUSTRACJA E)

Umieść pilota zdalnego sterowania we wbudowanym schowku z tyłu urządzenia.

UWAGA! Aby uniknąć zgubienia pilota zdalnego sterowania, umieść go w schowku, gdy nie jest używany.

**OSTRZEŻENIE:** W przypadku wycieku baterii na skórę lub ubranie, należy natychmiast dokładnie umyć dotknięty obszar czystą wodą. Nie używaj zdalnego sterowania, jeśli widoczne są ślady wycieku baterii. W przypadku połknięcia płynu z baterii należy natychmiast zwrócić się o pomoc lekarską.

Substancje chemiczne obecne w bateriach mogą stwarzać ryzyko, takie jak oparzenia i inne zagrożenia dla zdrowia.

## INSTALACJA

### PRZED PIERWSZYM UŻYCIEM

Przed rozpoczęciem pracy należy odstawić urządzenie na 4 godziny w pozycji pionowej.

Ten klimatyzator został zaprojektowany z myślą o wygodnym przenoszeniu w pomieszczeniach. Podczas przenoszenia urządzenie powinno pozostawać w pozycji pionowej. Klimatyzator należy umieścić na płaskiej powierzchni. Klimatyzatora nie należy instalować ani użytkować w łazienkach lub innych wilgotnych pomieszczeniach.

### WAŻNE INFORMACJE PRZED INSTALACJĄ PRZEWODU POWIETRZA

Podczas pracy wąż powinien być jak najkrótszy i mieć jak najmniej zagięć, aby zminimalizować spadek ciśnienia i utratę wydajności.

Wąż wylotowy musi pozostać gładki, aby zapobiec przegrzaniu i potencjalnemu uszkodzeniu klimatyzatora. Wąż ma długość od 280 mm do 1500 mm. Należy unikać przedłużania węża lub zastępowania go innym wężem, co może mieć wpływ na działanie urządzenia.

### INSTALACJA ZESPOŁU WĘŻA WYDECHOWEGO I JEGO ADAPTERA. (PATRZ OBRAZEK F)

1. Zdejmij plastikową torbę, wyjmując wąż wydechowy, jego złącze i adapter z opakowania.

2. Wsuń jeden koniec węża wydechowego i zamocuj okrągłe złącze, obracając je w kierunku przeciwnym do ruchu wskazówek zegara przez co najmniej trzy obroty.

3. Przedłużyć drugi koniec węża wydechowego i zamocować adapter, obracając go w kierunku przeciwnym do ruchu wskazówek zegara przez co najmniej trzy obroty.

4. Umieść przedni koniec zespołu węża wylotowego na wyznaczonym wycięciu wylotu powietrza wylotowego znajdującego się na tylnym panelu. Elementy mocujące bezpiecznie zablokują zespół węża na miejscu.

5. Zamontować wąż wylotowy powietrza na urządzeniu.

UWAGA! Upewnij się, że ukośna strona adaptera jest ustawiona prawidłowo, aby ułatwić montaż uszczelki okiennej.

Utrzymywać bezpieczne i dobrze umiejscowione połączenie węża wydechowego.

### MONTAŻ PŁYTY USZCZELNIAJĄCEJ OKNO (PATRZ RYSUNEK G)

1. Zamontować prostokątną końcówkę zespołu węża w odpowiednich prostokątnych otworach w ze-spole płyty uszczelniającej okna i przykręcić ją śrubą.

UWAGA!

- Przesuń adaptory w dół, upewniając się, że są prawidłowo zainstalowane.

- Upewnij się, że kierunek nachylenia panelu jest zgodny z kierunkiem płyty uszczelniającej.

- Upewnij się, że wąż jest tak prosty, jak to możliwe, aby zapewnić odpowiednią wentylację.

2. Otwórz okno do połowy i włóż płytkę uszczelniającą do okna, ustawiając ją pionowo lub poziomo.

3. Wysunąć elementy płyty uszczelniającej i dopasować je do długości okna.

Upewnij się, że oba końce stykają się z krawędziami okna i zamocuj je na miejscu za pomocą śrub.

UWAGA: Upewnij się, że oba końce płyty uszczelniającej okna stykają się z krawędziami okna, aby zapewnić prawidłowe uszczelnienie.

Upewnij się, że śruby są dokręcone we właściwej pozycji.

4. Przenieś urządzenie z wężem zamontowanym przed oknem i trzymaj je w odległości co najmniej 50 cm od ścian lub innych obiektów

### WŁĄCZYĆ ZASILANIE URZĄDZENIA

Aby zasilic urządzenie, podłącz je do zasilania.

Urządzenie jest teraz gotowe do użycia!

### KONSERWACJA

UWAGA: Przed przystąpieniem do konserwacji należy wyłączyć urządzenie i wyciągnąć wtyczkę.

### INSTRUKCJA ODWADNIANIA (PATRZ ILUSTRACJA H)

Większość wody zostanie naturalnie odprowadzona przez wąż wylotowy wraz z gorącym powietrzem.

Jeśli konieczne będzie opróżnienie zbiornika, urządzenie powiadomi o tym użytkownika. (ODNIESIENIE DO OBRAZU C, wskaźnik pełnego zbiornika)

Aby opróżnić zbiornik na wodę: Odkręć pokrywę spustową i odłącz korek wody, aby umożliwić przepływ wody do tacy. UWAGA:

Należy zachować ostrożność, aby zapobiec wyciekom w przypadku konieczności przeniesienia urządzenia. Podczas spuszczenia wody należy lekko przechylić urządzenie do tyłu. Jeśli taca nie jest w stanie pomieścić całej wody z urządzenia, należy natychmiast zablokować otwór spustowy, aby zapobiec wyciekowi wody i zamoczeniu podłogi lub dywanu. Należy upewnić się, że korek spustu wody i pokrywa spustu są szczelnie zamontowane, aby zapobiec zamoczeniu podłogi lub przez skroploną wodę po ponownym uruchomieniu urządzenia.

Podłączanie węża wodnego w celu ciągłego odprowadzania wody: Odkręć pokrywę spustową i wyjmij korek wodny. Podłącz wąż wodny o średnicy wewnętrznej 12 mm do rurki na urządzeniu. Poprowadź drugi koniec węża do odpływu.

Upewnij się, że woda może być odprowadzana w dół.

UWAGA: Gdy w zasobniku nie ma wody, należy zainstalować wąż spustowy.

Zaleca się, aby nie używać ciągłego odwadniania, gdy urządzenie jest w trybie chłodzenia, aby zapewnić wystarczającą ilość wody w celu zwiększenia efektów chłodzenia systemu. Umieść wąż spustowy w niedostępnym miejscu, upewniając się, że nie się on wyżej niż otwór spustowy i utrzymuj wąż spustowy prosto bez żadnych zagięć. Upewnij się, że pokrywa spustowa i jej zatyczka są odpowiednio zabezpieczone, gdy wykorzystywany jest ciągły drenaż.

### WIELE FUNKCJI OCHRONY

Automatyczne odszranianie: Urządzenie automatycznie odszrania się w razie potrzeby. W trybie odszraniania wyświetlacz pokazuje D7 i nie są aktywne żadne przyciski poza przyciskiem ZASILANIE.

Zabezpieczenie sprężarki: Urządzenie posiada funkcję ochrony sprężarki 3-minutowe opóźnienie startu po ponownym uruchomieniu urządzenia.

Alarm napełnienia wodą i funkcja ochrony przed wyłączeniem: Gdy objętość wody przekroczy wyznaczony poziom alarmowy w obudowie urządzenia, uruchomiony zostanie automatyczny alarm ostrzegawczy, któremu towarzyszyć będzie podświetlenie ikony pełnej wody na wyświetlaczu LCD. W takim przypadku konieczne spuszczenie skroplonej wody zgodnie z instrukcjami zawartymi w sekcji "Instrukcja spuszczenia wody". Jeśli urządzenie nie zostanie wyłączone ręcznie, automatycznie do pierwotnego stanu pracy po całkowitym spuszczeniu skroplonej wody. Alternatywnie, w celu ponownego uruchomienia urządzenia należy ponownie podłączyć zasilanie.

### CZYSZCZENIE POWIERZCHNI

- Powierzchnię urządzenia należy czyścić wilgotną, miękką ściereczką i nie używać rozpuszczalników chemicznych, takich jak alkohol lub benzyna, aby uniknąć uszkodzeń.

- Wyczyść zabrudzony wylot powietrza lub żaluzje wilgotną, miękką szmatką i łagodnym detergentem.

- Zabrania się jakichkolwiek rozpuszczalników chemicznych do czyszczenia urządzenia lub umieszczania w pobliżu urządzenia przez dłuższy czas.

- Zabronione jest czyszczenie urządzenia rozcieńczalnikiem, alkoholem lub podobnymi rozpuszczalnikami.

### CZYSZCZENIE FILTRA ZMYWALNEGO (PATRZ ILUSTRACJA I)

Konieczne jest czyszczenie filtra raz na dwa tygodnie, aby zapobiec negatywnemu wpływowi nagromadzonego kurzu na wydajność urządzenia. Filtr należy delikatnie zanurzyć i umyć w ciepłej wodzie (około 40° C) zmieszanej z neutralnym środkiem czyszczącym. Po wyczyszczeniu zamontuj go z powrotem na urządzeniu.

Wyczyść dolne filtry: Wyciągnij dolne filtry, a następnie wyjmij tylny filtr i wyczyść go.

UWAGA! Delikatnie wyciągnij filtr, priorytetowo usuwając filtr panelu tylnego przed filtrem panelu bocznego, aby zapobiec skręceniu lub uszkodzeniu. Należy zachować ostrożność, aby nie zgnieść siatki i unikać uderzania w nią ostrymi przedmiotami lub szczotkami.

UWAGA! Upewnij się, że filtr jest zainstalowany na panelu bocznym przed zainstalowaniem filtra na pan-elu tylnym.

Zamontuj filtr w kierunku przeciwnym do kierunku demontażu.

### PRZECHOWYWANIE PO ZAKOŃCZENIU SEZONU

1. Odkręć pokrywę spustową i wyjmij korek spustowy, aby całkowicie spuścić skroploną wodę.

UWAGA: Kąt nachylenia urządzenia musi wynosić ≤ 30 stopni.

2. Uruchom urządzenie w trybie wentylatora na pół dnia, aby dokładnie osuszyć wnętrze i zapobiec rozwojowi pleśni.

3. Wyłącz urządzenie, odłącz je od zasilania, owiń przewód zasilający wokół kolumny uzwojenia.

4. Zdemontować zespół węża odprowadzającego ciepło, wyczyścić go i odpowiednio przechowywać.

UWAGA: Podczas demontażu należy trzymać zespół przewodu wydechowego obiema rękami.

5. Kciukami odepchnąć elementy mocujące na wylocie powietrza wylotowego, a następnie wyciągnąć zespół węża wylotowego.

6. Klimatyzator należy bezpiecznie zapakować w miękką plastikową torbę, umieścić w suchym miejscu z odpowiednimi zabezpieczeniami przed kurzem i przechowywać w miejscu niedostępnym dla dzieci.

7. Wyjmij baterie z zdalnego sterowania i przechowuj je w odpowiedni sposób.

UWAGA: Urządzenie należy przechowywać w suchym miejscu. Wszystkie akcesoria urządzenia należy przechowywać zbiorczo, aby zapobiec ich uszkodzeniu lub zniszczeniu.

**GWARANCJE**

Dwuletnia gwarancja na wady produkcyjne. Należy pamiętać, że gwarancja jest ważna tylko po okazaniu dowodu zakupu.

ZACHOWAJ PARAGONY! Paragony będą wymagane w przypadku wszelkich roszczeń gwarancyjnych w tym okresie.

**UZYSKAJ PRZEDŁUŻONĄ GWARANCJĘ**

Uzyskaj 3-letnią gwarancję, rejestrując się na stronie warranty-woods.com.

ZACHOWAJ PARAGONY! Wszystkie paragony będą wymagane w przypadku jakichkolwiek roszczeń gwarancyjnych w tym okresie.



**ROZWIĄZYWANIE PROBLEMÓW**

Przed wezwaniem profesjonalnego serwisu należy sprawdzić urządzenie i postępować zgodnie z poniższymi sugestiami. Nigdy jednak nie należy podejmować prób samodzielnego demontażu lub naprawy urządzenia, ponieważ może to spowodować szkody dla użytkownika i jego mienia. Jeśli wystąpią problemy niewymienione w tabeli lub zalecane rozwiązania nie zadziałają, należy skontaktować się z profesjonalnym serwisem.

KŁOPOTY	PRZYCZYNA	ŚRODEK ZARADCZY
Urządzenie nie uruchamia się.	Awaria zasilania.	Podłącz urządzenie do gniazdka pod napięciem i włącz je.
	Pełny zbiornik wody z odpowiednią podświetloną ikoną.	Spuścić wodę zgromadzoną w urządzeniu.
	Temperatura w pomieszczeniu jest niższa niż ustawiona w trybie chłodzenia lub wyższa w trybie ogrzewania.	Upewnij się, że urządzenie działa w zalecanym zakresie temperatur. Dostosuj ustawioną temperaturę.
Niewystarczające chłodzenie.	Jest tam bezpośrednie światło słoneczne.	Zasuń zasłonę okienną.
	Drzwi i okna są otwarte, pomieszczenie jest zatłoczone lub znajdują się w nim inne źródła ciepła.	Zamknij drzwi i okna, usuń inne źródła ciepła i rozważ dodanie dodatkowych klimatyzatorów.
	Zanieczyszczony filtr.	Wyczyść lub wymień siatkę filtra.
Wysoki poziom hałasu.	Zatkany wlot lub wylot powietrza.	Usuń wszelkie przeszkody.
	Urządzenie jest umieszczone na nierównej powierzchni.	Umieść urządzenie w płaskim i stabilnym miejscu (może to zmniejszyć hałas).
Sprężarka nie działa.	Inicjacja zabezpieczenia przed przegrzaniem.	Poczekaj, aż temperatura spadnie, a urządzenie uruchomi się ponownie automatycznie.
Pilot zdalnego sterowania nie działa.	Zbyt duża odległość między urządzeniem a pilotem.	Zbliź pilota zdalnego sterowania do klimatyzatora i zapewnij dostęp powietrza do receptora sygnału na urządzeniu.
	Pilot zdalnego sterowania nie jest skierowany na odbiornik sygnału na urządzeniu.	
	Wyczerpane baterie.	Wymień baterie
Wyświetlany jest kod "D7 lub E4".	Ochrona przed zamarzaniem.	Funkcje zostaną przywrócone automatycznie po zakończeniu ochrony przed zamarzaniem.
Wyświetlany jest kod "FL".	Zbiornik wody w podwoziu jest pełny.	Spuścić kondensat i ponownie uruchomić urządzenie.

**SPECYFIKACJA TECHNICZNA**

MODEL NO.	CORTINA XL 14K WIFI	CORTINA XL 14K DUO WIFI	CORTINA XL 18K WIFI	CORTINA XL 18K DUO WIFI
Wydajność chłodzenia	3900W	3900W	5000W	5000W
Wydajność grzewcza	N/A	3500W	N/A	4000W
Zużycie energii w trybie chłodzenia	1490W	1490W	1750W	1750W
Zużycie energii w trybie ogrzewania	N/A	1350W	N/A	1500W
Przepływ powietrza	400m <sup>3</sup> /h	400m <sup>3</sup> /h	480m <sup>3</sup> /h	480m <sup>3</sup> /h
Klasa energetyczna	A	A	A	A
Osuszanie	38L/D	38L/D	70L/D	70L/D
Ustawienie temperatury	17-30°C	17-30°C	17-30°C	17-30°C
Temperatura robocza	17-43°C	5-43°C	17-43°C	5-43°C
EER w trybie chłodzenia	2,6	2,6	2,6	2,6
Długości węży	1.5M	1.5M	1.5M	1.5M
Gaz chłodniczy	R290/285g	R290/285g	R290/295g	R290/295g
Poziom dźwięku w trybie chłodzenia (LWA) (dB(A))	60-64 dB	60-64 dB	60-64 dB	60-64 dB
Poziom dźwięku w trybie chłodzenia (LPA) (dB(A))	48-53 dB	48-53 dB	48-53 dB	48-53 dB
Waga netto	31.5kg	33kg	27.3kg	28.3kg
Wymiary urządzenia (wys. x szer. x głęb.)	770×440×410mm	770×440×410mm	770×440×410mm	770×440×410mm

**Mogą wystąpić zmiany techniczne i ulepszenia. Wszystkie wartości są przybliżone i mogą się różnić w zależności od warunków zewnętrznych, takich jak temperatura, wentylacja i wilgotność.**



**Uwaga: Ochrona środowiska i utylizacja**

- Konsumentom są prawnie zobowiązani do prawidłowego utylizowania urządzeń elektronicznych, lamp i baterii po zakończeniu ich okresu użytkowania.
- Można je bezpłatnie zwrócić w wyznaczonych punktach zbiórki lub za pośrednictwem sprzedawców detalicznych.
- Usunięcie danych osobowych leży w gestii konsumenta.
- Żarówki i baterie, które można bezpiecznie wyjąć i które nie są zamontowane na stałe, należy oddzielić w celu oddzielnej utylizacji.
- Szczegółowe informacje dotyczące utylizacji zgodnej z przepisami prawa regulują przepisy regionalne.
- Symbol przekreślonego kosza na śmieci oznacza, że urządzenia elektroniczne i baterie nie mogą być wyrzucane wraz z odpadami komunalnymi po zakończeniu okresu użytkowania.
- Symbole umieszczone pod pojemnikiem na odpady wskazują na możliwą obecność niektórych substancji (ołów = Pb, rtęć = Hg, kadm = Cd).
- Segregacja ta jest konieczna, ponieważ baterie i urządzenia elektroniczne zawierają zarówno cenne surowce, jak i substancje szkodliwe dla ludzi i środowiska.
- Poprzez recykling, zbiórkę i ponowne wykorzystanie baterii i odpowiednich urządzeń elektronicznych przyczynicie się Państwo do ochrony środowiska i zdrowia ludzkiego.



**DEGIOJI MEDŽIAGA.**  
Šiame prietaise yra R290 – propano, kuris yra degus šaltnešis.

Žr. operatoriaus vadovą.

Žr. techninį vadovą.

Skaitykite operatoriaus vadovą.

**SAUGOS INFORMACIJA**

Prieš įrengdami ir naudodami prietaisą, atidžiai perskaitykite pateiktus nurodymus. Gamintojas neatsako už sužalojimus ir pažeidimus, atsiradusius neteisingai įrengus ar naudojant prietaisą. Nurodymus visada laikykite prie prietaiso, kad prireikus galėtumėte pasiskaityti.

**VAIKŲ IR PAŽEIDŽIAMŲ ŽMONIŲ SAUGA**

**ĮSPĖJIMAS** ⚠  
Susižalojimo arba nuolatinio neįgalumo pavojus.

Šį prietaisą gali naudoti vaikai nuo aštuonerių metų ir asmenys, turintys psichinę, jutiminę ar fizinę negalią, arba neturintys pakankamai patirties ar žinių, jei juos prižiūri arba išmoko saugiai naudotis prietaisu kitas asmuo ir jei jie supranta su prietaiso naudojimu susijusius pavojus. Neleiskite vaikams žaisti su prietaisu.

Jaunesni kaip trejų metų vaikai turėtų būti laikomi atokiau, nebent jie būtų nuolat prižiūrimi.

Visas pakuotes laikykite atokiau nuo vaikų. Įrenginio valymo ir priežiūros darbų vaikai be priežiūros atlikti negali.

**BENDROJI SAUGA**

Šis prietaisas skirtas naudoti namų ūkiuose ir panašiose aplinkose,

pavyzdžiui, parduotuvėse, biuruose ir kitose darbo vietose. Įvertinimo lentelė yra prietaiso šone arba gale. Ventilacijos angas laikykite neuždengtas.

Nenaudokite mechaninių įtaisų ar kitų priemonių atitirpinimo procesui pagreitinti, išskyrus gamintojo rekomenduotus. Prietaiso negalima laikyti patalpoje, kurioje yra nuolat veikiančių degimo šaltinių (atvira liepsna, veikiantis dujinis prietaisas arba elektrinis šildytuvas ir pan.). Prietaiso negalima badyti ar deginti. Turėkite omenyje, kad šaltnešis gali neturėti kvapo. Prietaisui valyti nenaudokite vandens srovės ir garų. Prietaisą valykite minkšta, drėgna šluoste. Naudokite tik neutralius ploviklius. Nenaudokite abrazyvinių gaminių, abrazyvinių šluosčių, tirpiklių ar metalinių daiktų. Jei maitinimo laidas yra pažeistas, jis turi būti pakeistas gamintojo, jo įgalioto techninės priežiūros centro arba kito kvalifikuoto asmens, išvengiant galimo pavojaus.

**SAUGOS INSTRUKCIJOS**

**ĮSPĖJIMAS** ⚠  
Šį prietaisą gali įrengti tik kvalifikuotas asmuo.

Pašalinkite visas pakuotės medžiagas. Neįrenkite ir nenaudokite pažeisto prietaiso. Prietaisą galima įrengti, eksploatuoti ir laikyti patalpoje, kurios grindų plotas didesnis nei 14 m². Atidžiai laikykitės su prietaisu pateiktų įrengimo nurodymų. Prietaisą perkeltkite atsargiai, nes jis yra sunkus. Visada mūvėkite apsaugines pirštines.

Pasirūpinkite, kad aplink prietaisą oras galėtų laisvai cirkuluoti. Prieš prijungdami prietaisą prie maitinimo šaltinio, palaukite bent 4 valandas. Per šį laiką alyva subėgs atgal į kompresorių. Neįrenkite prietaiso arti radiatorių ar kitų šilumos šaltinių. Neįrenkite prietaiso tiesioginių saulės spindulių apšviečiamoje vietoje.

**ELEKTROS MAITINIMO PRIJUNGIMAS**

**ĮSPĖJIMAS** ⚠  
Gaisro ir elektros smūgio rizika.

Prietaisas turi būti prijungtas prie įžeminto maitinimo lizdo. Įsitikinkite, kad duomenų plokštelėje esanti elektros maitinimo informacija atitinka maitinimo šaltinio duomenis. Jei taip nėra, kreipkitės į elektriką. Visada naudokite tinkamai įrengtą smūgiams atsparų lizdą. Nenaudokite šakotuvų

ir ilgintuvų. Pasirūpinkite, kad nebūtų pažeisti elektros komponentai (pvz., kištukas, kabelis). Kreipkitės į įgaliotąjį techninės priežiūros centrą arba elektriką, kad pakeistų elektros komponentus. Maitinimo laidas turi būti žemiau kištuko lygio. Kištuką į maitinimo lizdą įjunkite tik pabaigę įrengimą. Pasirūpinkite, kad įrengus prietaisą kištukas būtų lengvai pasiekiamas. Norėdami išjungti prietaisą, netraukite maitinimo kabelio. Visada atjunkite maitinimo laidą laikydami tik už kištuko.

**NAUDOJIMAS**

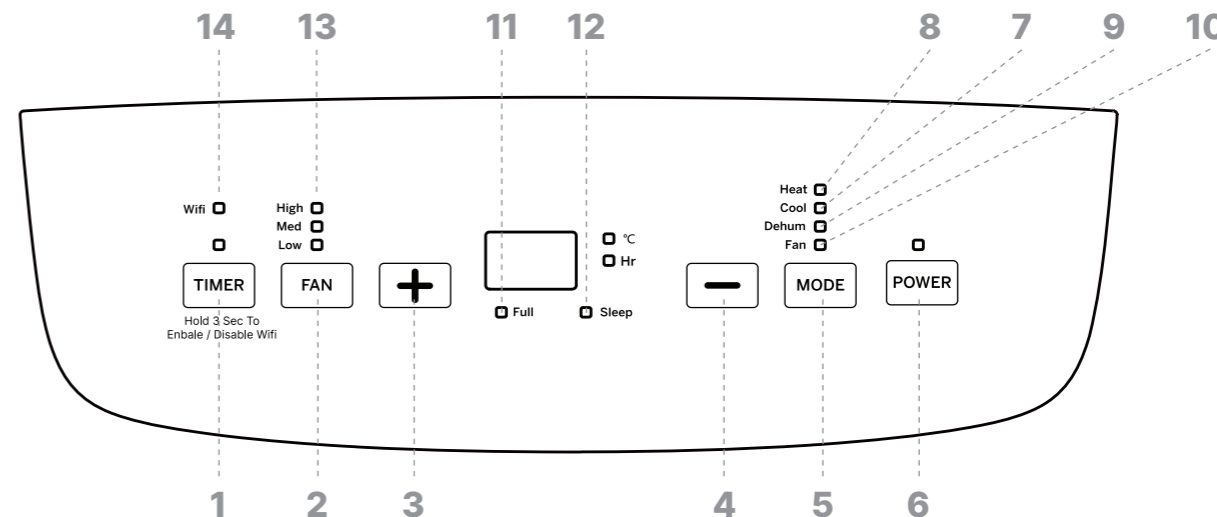
**ĮSPĖJIMAS** ⚠  
Sužeidimų, nudegimų, elektros smūgio ar gaisro pavojus.

Nekeiskite šio prietaiso specifikacijos. Būkite atsargūs, kad nepažeistumėte šaltnešio kontūro. Jame yra propano (R290), aplinkoje lengvai pasklindančių gamtinių dujų. Šios dujos yra degios. Jei pažeidžiamas šaltnešio kontūras, pasirūpinkite, kad patalpoje nebūtų liepsnos ir uždegimo šaltinių. Vėdinkite patalpą. Nedėkite degių gaminių ar šlapių daiktų, persisunkusių degiaisiais gaminiais, šalia arba ant prietaiso.

**ŠALINIMAS**

**ĮSPĖJIMAS** ⚠  
Pavojus susižeisti.

Atjunkite prietaisą nuo maitinimo tinklo. Nupjaukite maitinimo laidą ir išmeskite. Šio prietaiso šaltnešio kontūras nekenkia ozonui. Informacijos apie tai, kaip tinkamai išmesti prietaisą, teiraukitės vietinėje atsakingoje įstaigoje. Nepažeiskite aušinimo įrenginio dalies, esančios šalia šilumokačio.



Dėkojame, kad įsigijote ir pasitikite "Wood's". Šiame vadove supažindinama su "AC Cortina XL" veikimo režimais.

**Aušinimo režimas:** Atvėsina patalpą iki pageidaujamos temperatūros. Optimali vėsinančių modelių aplinkos temperatūra yra 17-43°C.

**Šildymo režimas:** Šildymo režimas: Šildo patalpą iki norimos temperatūros. Optimali darbinė aplinkos temperatūra tiek vėsinančiuose, tiek šildančiuose modeliuose yra 5-43°C. (Pastaba! Šis režimas galimas tik kintamosios srovės modelyje su "Duo" / šildymo funkcija).

**Sausinimo režimas:** Sumažina drėgmę kambaryje.

**Ventiliatoriaus režimas:** Ventiliatoriaus režimas: oras cirkuliuoja patalpoje, tačiau nėra vėsinaamas.

**NAUDOJIMO INSTRUKCIJOS**

**GAMINIO DALYS (ŽR. A IR B PAVEIKSLĖLIUS)**

1. Nuotolinio valdymo pulto signal daviklis
2. Valdymo skydelis
3. Oro išpūtimo anga su sklende
4. Ratukai
5. Galinis viršutinis oro filtras
6. Maitinimo laido vyniojimo laikikliai
7. Galinis apatinis oro filtras
8. Drenažo dangtelis
9. Nuotolinio valdymo pultelio laikiklis
10. Oro įtraukimo anga
11. Oro išleidimo anga
12. Lango sandarinimo rinkinys
13. Apvali oro išpūtimo žarnos jungtis
14. Oro išpūtimo žarna
15. Išpūtimo žarnos adapteris

**VALDYMO SKYDELIS (ŽR. AUKŠČIAU ARBA C PAVEIKSLĖLĮ)**

1. Laikmačio mygtukas
2. Ventiliatoriaus greičio mygtukas
3. Aukštyn mygtukas
4. Mygtukas žemyn
5. Režimo keitimo mygtukas
6. Įjungimo/išjungimo mygtukas
7. Vėsinimo režimo indikatorius
8. Šildymo režimo indikatorius (PASTABA! Šis simbolis yra tik AC modelyje su Duo/šildymo funkcija).
9. Sausinimo režimo indikatorius
10. Ventiliatoriaus režimo indikatorius
11. Pilno vandens bakelio indikatorius
12. Miego režimo indikatorius
13. Ventiliatoriaus greičio indikatorius
14. "Wi-Fi" indikatorius. (PASTABA! Šis simbolis yra tik AC modelyje su "Wi-Fi/Smart Home" funkcija.)

**DARBO REŽIMAI IR VALDYMO SKYDELIO FUNKCIJOS (ŽR. C PAVEIKSLĖLĮ)**

**Įjungimo/išjungimo mygtukas (6):** Paspauskite šį mygtuką, kad įjungtumėte įrenginį; pasigirs melodingas garsas ir įrenginys automatiškai įjungs vėsinimo režimą su iš anksto nustatyta 24°C temperatūra. Ventiliatorius veiks vidutiniu greičiu.

Norėdami išjungti įrenginį, dar kartą paspauskite šį klavišą ir pasigirs melodingas garsas.

1. Kai įrenginys įjungtas, LCD lange bus rodoma nustatyta temperatūra vėsinimo ir šildymo režimuose (PASTABA! Šildymo simbolis yra tik kintamosios srovės modelyje su "Duo/Heating" funkcija) arba aplinkos temperatūra oro sausinimo ir ventiliatoriaus režimuose. Ventiliatorius pradės veikti, o oro išpūtimo sklendė atsidarys automatiškai.

2. Visos dalys nustoja veikti, kai įrenginys

išjungtas, o oro išleidimo sklendė užsidaro automatiškai.

PASTABA! Išjungus mašiną, ventiliatorius dar kurį laiką veiks.

**Režimo mygtukas (5):** Paspauskite mygtuką "Mode" (režimas), norėdami patvirtinti galimus režimus.

**Vėsinimo režimas (7):** Atvėsina patalpą iki nustatytos temperatūros.

**Šildymo režimas (8):** Šildo patalpą iki nustatytos temperatūros. (PASTABA! Šis režimas galimas tik AC modelyje su Duo/šildymo funkcija.)

**Sausinimo režimas (9):** Sumažina drėgmę kambaryje.

**Ventiliatoriaus režimas (10):** cirkuliuoja ir valo orą kambaryje jo nešaldydamas.

**Mygtukas žemyn (4):** Paspauskite, jei norite sumažinti nustatytą temperatūrą arba reguliuoti žemyn.

**Mygtukas aukštyn (3):** Paspauskite šį mygtuką, norėdami reguliuoti nustatytą temperatūrą aukštyn.

**Ventiliatoriaus greičio mygtukas (2):** Paspauskite ventiliatoriaus greičio mygtuką, kad pasirinktumėte didelį, vidutinį arba mažą ventiliatoriaus greitį.

PASTABA! Ventiliatoriaus greičio negalima reguliuoti naudojant sausinimo ir miego režimus.

**Laikmatis (1):** Paspauskite vieną kartą, kad įjungtumėte laikmačio funkciją. Nustatykite valandų skaičių (1-24) spausdami + arba -. Kai ekranas nustoja mirksėti, laikmatis nustatytas. Norėdami išjungti laikmačio funkciją, paspauskite laikmačio mygtuką 2 kartus.

**FUNKCIJOS DERINANT MYGTUKUS (ŽR. C PAVEIKSLĖLĮ)**

**Miego funkcija (12):** (12): Miego funkciją inicijuokite arba atšaukite vienu metu paspausdami laikmačio mygtuką (1) ir mygtuką "Aukštyn" (3). Atkreipkite dėmesį, kad veikiant miego funkcijai ventiliatoriaus greitis nereguliuojamas.

- Jei vėsinimo režime įjungiami miego funkcija, po 2 valandų ji nustatyta temperatūrą padidina 1° po dar 2 valandų ją padidins dar 1° C ir palaikys šią temperatūrą.

- Jei šildymo režime įjungiami miego funkcija (galima tik AC modelyje su Duo/šildymo funkcija), po 2 valandų nustatyta temperatūra sumažinama 1° Tada po dar 2 valandų ji ją sumažina dar 1° C ir toliau veikia šioje temperatūroje. PASTABA! Miego funkcija neveiks esant ventiliatoriaus režimui, oro sausimo režimui.

**Automatinio oro sklendės svyravimo funkcija:** Įjunkite arba išjunkite automatinio oro sklendės svyravimo funkciją vienu metu paspausdami laikmačio mygtuką (1) ir ventiliatoriaus greičio mygtuką (2).

#### WIFI FUNKCIJA (14):

(taikoma tik AC modeliui su "WiFi" / "Smart Home" funkcija).

**Wood's**



1. Atsisiųskite programėlę "Wood's Connect" iš "App Store" arba "Google Play".

2. Užsiregistruokite ir vadovaukitės instrukcijomis. Priimkite visus veiksmus. (Atidžiai perskaitykite privatumo politiką ir, jei sutinkate su sutartimis, bakstelėkite "Sutinku" apačioje, kad tęstumėte.)

3. Atidarykite programėlę "Wood's Connect" ir pagrindiniame ekrane paspauskite "Add Device".

4. Norėdami įjungti susiejimo režimą, paspauskite ir 3 sekundes palaikykite ant įrenginio esantį mygtuką TIMER (1), kad ekrane greitai pradėtų mirksėti "Wi-Fi" piktograma.

5. Kai išmaniojo telefono ekrane aptiksime įrenginį, paspauskite pridėti. Modelį taip pat galite pasirinkti rankiniu būdu.

6. Įveskite "Wi-Fi" nustatymus ir slaptažodį, ir spauskite toliau.

7. Paspauskite "+", kad pridėtumėte įrenginį.

8. Palaukite, kol įrenginys bus pridėtas, tada paspauskite done.

Norėdami atjungti "Wi-Fi" funkciją, 3 sekundes paspauskite įrenginio mygtuką TIMER (1).

#### NUOTOLINIO VALDYMO PULTO VEIKIMO REŽIMAI (ŽR. D PAVEIKSLĖLĮ)

**Įjungimo/išjungimo mygtukas (1):** Paspauskite šį mygtuką, kad įjungtumėte įrenginį, kai jis yra įjungtas, arba sustabdymumėte įrenginį, kai jis veikia.

**Režimo mygtukas (2):** Paspauskite šį mygtuką, kad pasirinktumėte darbo režimą.

**Mygtukas aukštyn (4):** Paspauskite mygtuką aukštyn, kad padidintumėte kambario temperatūrą ir laikmačio nustatymą.

**Mygtukas žemyn (5):** Paspauskite žemyn mygtuką, kad sumažintumėte kambario temperatūrą ir laikmačio nustatymą.

**Ventiliatoriaus mygtukas (6):** Paspauskite šį mygtuką, kad pasirinktumėte ventiliatoriaus greitį: (žemas, vidutinis, aukštas).

**Automatinio oro sklendės svyravimo mygtukas (7):** Paspauskite šį mygtuką, kad įjungtumėte arba išjungtumėte automatinio oro sklendės svyravimo funkciją.

**Miego mygtukas (8):** Paspauskite šį mygtuką, kad pasirinktumėte arba atšauktumėte miego režimą (veikia tik esant vėsinimo arba šildymo režimui).

**Laikmačio mygtukas (3):** Nustatykite automatinio įjungimo funkciją budėjimo režimu ir automatinio išjungimo funkciją, kai įrenginys veikia. Laikas gali būti reguliuojamas nuo 1 iki 24 valandų. Norėdami išjungti laikmatį, paspauskite laikmačio mygtuką ir nustatykite laikmatį ant "0".

Prieš naudodami nuotolinio valdymo pultą, įdėkite AAA baterijas, atlikdami šiuos veiksmus: (ŽR. PAVEIKSLĖLĮ D)

1. Stumkite ir atsargiai nuimkite baterijos dangtelį, esantį nuotolinio valdymo pulto galinėje dalyje.

2. Į tam skirtą baterijų skyrių įdėkite dvi naujas šarmines AAA tipo baterijas, užtikrindami teisingą poliškumą.

3. Vėl uždėkite baterijos dangtelį, įsitikinkite, kad tvirtai užsifiksavo.

DĖMESIO!

- Naudokite tik šarmines baterijas. Nenaudokite įkraunamų baterijų.

- Visada pakeiskite abi baterijas; nemaišykite senų ir naujų baterijų.

- Jei oro kondicionieriaus nenaudosite ilgesnį laiką iš nuotolinio valdymo pulto išimkite baterijas.

#### NUOTOLINIO VALDYMO PULTO SAUGYKLA (ŽR. E PAVEIKSLĖLĮ)

Įdėkite nuotolinio valdymo pultą į galinėje įrenginio pusėje esančią nišą.

DĖMESIO! Kad nepamestumėte nuotolinio valdymo pulto, kai jo nenaudojate įdėkite jį į laikymo vietą.

**ĮSPĖJIMAS:** jei baterijos skysčio patenka ant odos ar drabužių, nedelsdami kruopščiai nuplaukite pažeistą vietą švariu vandeniu. Nenaudokite nuotolinio valdymo pulto, jei yra bet kokių baterijos nuotėkio požymių. Prarijus baterijos skysčio, nedelsdami kreipkitės į gydytoją.

Akumulatoriuose esančios cheminės medžiagos gali kelti pavojų, pvz., nudegimus ir kitus pavojus sveikatai.

## ĮRENGIMAS

### PRIEŠ NAUDOJANT PIRMĄ KARTĄ

Prieš pradėdami naudoti, leiskite įrenginiui 4 valandas pastovėti vertikaliaje padėtyje.

Šis oro kondicionierius skirtas patogiai perkelti į patalpą. Užtikrinkite, kad įrenginys perkeltas liktų vertikaliaje padėtyje. Pastatykite oro kondicionierių ant lygaus paviršiaus. Nemontuokite ir nenaudokite šio oro kondicionieriaus vonios kambariuose ar kitoje drėgnoje aplinkoje.

### SVARBI INFORMACIJA PRIEŠ MONTUOJANT ORO ŽARNĄ

Eksploatacijos metu žarna turi būti kuo trumpesnė ir kuo mažiau sulenkta, kad sumažėtų slėgio kritimas ir našumo nuostoliai.

Išmetimo žarna turi išlikti lygi, kad neperkaistų ir nesugadintų oro kondicionieriaus. Žarnos ilgis 280 mm-1500 mm. Venkite ilginti žarną arba keisti ją kita žarna, nes tai gali turėti įtakos veikimui.

### IŠMETIMO ŽARNOS IR JOS ADAPTERIO MONTAVIMAS. (ŽR. F PAVEIKSLĖLĮ)

1. Iš pakuotės išimkite plastikinį maišelį ir ištraukite oro išpūtimo žarną, jos jungtį ir adapterį.

2. Ištieskite vieną išmetimo žarnos galą ir pritvirtinkite apvalią jungtį, sukdami ją prieš laikrodžio rodyklę ne mažiau kaip tris kartus.

3. Ištieskite kitą išmetimo žarnos galą ir pritvirtinkite adapterį jį prieš laikrodžio rodyklę bent tris kartus.

4. Priekinį išmetimo žarnos galą uždėkite ant galiniame skydelyje esančios oro išoūtimo angos įpjovos. Tvirtinimo elementai patikimai užfiksuos išmetimo žarną.

5. Prie įrenginio pritvirtinkite oro išmetimo žarną.

DĖMESIO! Pasirūpinkite, kad adapterio nuoūžulnioji pusė būtų teisingai orientuota, kad būtų lengva įstatyti lango sandarinimo plokštelę.

Pasirūpinkite, kad išmetimo žarnos jungtis būtų saugi ir gerai pritvirtinta.

### LANGO SANDARINIMO PLOKŠTĖS MONTAVIMAS (ŽR. G PAVEIKSLĖLĮ)

1. Įstatykite stačiakampį žarnos galą į atitinkamas stačiakampes skylės lango sandarinimo plokštėje ir prisukite jį varžtu.

DĖMESIO!

- Stumkite adapterius žemyn ir įsitikinkite, kad jie gerai pritvirtinti.

- Įsitikinkite, kad nuoūžulniosios plokštės kryptis sutampa su sandarinimo plokštės kryptimi.

- Įsitikinkite, kad žarna yra kuo tiesesnė, kad būtų užtikrintas tinkamas vėdinimas.

2. Atidarykite langą iki pusės ir įstatykite sandarinimo plokštelę į langą, statydami ją vertikaliai arba horizontaliai.

3. Ištieskite sandarinimo plokštės dalis ir sureguliuokite jas taip, kad jos atitiktų lango plotį/aukštį.

Užtikrinkite, kad abu galai sutaptų su lango kraštais, ir pritvirtinkite jį varžtais.

DĖMESIO! Įsitikinkite, kad abi lango sandarinimo plokštelės galai efektyviai priglundą prie lango kraštų, kad būtų užtikrintas tinkamas sandarumas.

Užtikrinkite, kad varžtai būtų tvirtai priveržti tinkamoje padėtyje.

4. Perkelkite įrenginį su žarna, sumontuota priešais langą, ir laikykite įrenginį bent 50 cm atstumu nuo sienų ar kitų objektų

### ĮJUNGTI ĮRENGINĮ

Norėdami įjungti įrenginį, prijunkite jį prie elektros tinklo.

Dabar įrenginys paruoštas naudoti!

### PRIEŽIŪRA

DĖMESIO! Prieš atlikdami techninę priežiūrą išjunkite įrenginį ir ištraukite kištuką.

### DRENAŽO INSTRUKCIJA (ŽR. H PAVEIKSLĖLĮ)

Didžioji dalis vandens bus natūraliai išgarinta per išmetimo žarną kartu su karštu oru.

Jei reikia ištuštinti baką, įrenginys apie tai praneš. (ŽIŪRĖKITE C paveikslėlį, Pilno bako indikatorius)

Vandens bako ištuštinimas: Atsukite išleidimo dangtelį ir ištraukite vandens kištuką, kad vanduo išbėgtų į padėklą. PASTABA:

Būkite atsargūs, kad išvengtumėte nuotėkio, jei įrenginį reikia perkelti. Ištuštinami vandenį, šiek tiek palenkite įrenginį atgal. Jei į padėklą negali patekti visas iš įrenginio ištekantis vanduo, nedelsdami užkimškite nutekėjimo angą, kad išvengtumėte vandens nutekėjimo ir nesudrėkintumėte grindų ar kilimo. Įsitikinkite, kad vandens kamštis ir išleidimo dangtelis yra sandariai pritvirtinti, kad vėl paleidus įrenginį nesudrėktų grindys ar kilimas nauju kondensuotu vandeniu.

Vandens žarnos prijungimas nuolatiniame drenažui: Atsukite išleidimo dangtelį ir ištraukite vandens kamštį. Prijunkite 12 mm vidinio skersmens vandens žarną prie drenažo vamzdelio. Kitą vandens žarnos galą nuveskite į nutekamąjį vamzdį.

Įsitikinkite, kad vandenį galima nuleisti žemyn.

DĖMESIO: Kai padėkle nėra vandens, turi būti įrengta išleidimo žarna.

Rekomenduojama nenaudoti nuotolinio drenažo, kai įrenginys veikia vėsinimo režimu, kad būtų užtikrintas pakankamas vandens recirkuliacijos kiekis įrenginyje ir sustiprintas sistemos vėsinimo poveikis. Drenažo išleidimo žarnelę įrengkite prieinamoje vietoje, užtikrindami, kad ji nebūtų aukščiau nei išleidimo anga, ir kad išleidimo žarna būtų tiesi, be sulenkimų.

Užtikrinkite, kad drenažo dangtelis ir

jo kamštis būtų tinkamai pritvirtinti, kai naudojamas nuolatinis drenažas.

### KELIOS APSAUGOS FUNKCIJOS

Automatinis atitirpinimas: Kai reikia, įrenginys automatiškai atitirpsta. Atšildymo režimu ekrane rodomas D7 ir jokie mygtukai, išskyrus POWER mygtuką, nėra aktyvūs.

Kompresoriaus apsauga: Įrenginys turi kompresoriaus apsaugos funkciją, dėl kurios iš naujo įjungus įrenginį, paleidimas atidedamas 3 minutėms.

Pilno vandens bakelio saugos signalas ir apsaugos nuo išjungimo funkcija: Kai vandens kiekis viršija nustatytą lygį įrenginio bakelyje, įsijungia automatinis įspėjamasis signalas ir LCD ekrane užsidega piktograma "Pilna vandens". Tokiu atveju būtina išleisti vandenį, laikantis skyriuje "Išleidimo instrukcija" pateiktų nurodymų. Jei įrenginys neišjungiamas rankiniu būdu, jis automatiškai grįžta į pradinę veikimo būseną, kai kondensuotas vanduo visiškai išleidžiamas. Arba iš naujo įjunkite maitinimą, kad įrenginys vėl pradėtų veikti.

### PAVIRŠIAUS VALYMAS

- Įrenginio paviršių valykite drėgna, minkšta šluoste ir nenaudokite cheminių tirpiklių, tokių kaip alkoholis ir benzinas, kad jo nesugadintumėte.

- Užterštą oro išpūtimo angą ir sklendę valykite drėgnu minkštu audiniu ir švelniu plovikliu.

- Draudžiama naudoti bet kokius cheminius tirpiklius įrenginiui valyti arba laikyti tokius daiktus prie įrenginio ilgą laiką.

- Įrenginio valymui draudžiama naudoti bet kokį skiediklį, alkoholio glazūrą ar panašius tirpiklius.

### PLAUNAMO FILTRO VALYMAS (ŽR. I PAVEIKSLĖLĮ)

Filtrą būtina valyti kartą per dvi savaites, kad susikaupusios dulksės nedarytų įtakos įrenginio veikimui. Panardinkite ir švelniai nuplaukite filtrą šiltame vandenyje (maždaug 40° C), sumaišytame su neutraliu valikliu. Išvalę jį vėl sumontuokite ant įrenginio.

Išvalykite apatinius filtrus: Ištraukite apatinius filtrus, tada išimkite galinį filtrą ir jį išvalykite.

DĖMESIO! Atsargiai ištraukite filtrą, pirmenybę teikdami galinio filtro pašalinimui, o ne šoniniam filtriui, kad išvengtumėte susisukimo ar sugadinimo. Būkite atsargūs, kad nesuspaustumėte tinkelio, ir nepradurkite tinkelio aštriais daiktais ar šepetiais.

DĖMESIO! Prieš montuodami galinį filtrą įsitikinkite, kad filtras sumontuotas ant šono.

Filtrą montuokite priešinga eiga nei nuėmėte.

### SANDĖLIAVIMAS SEZONO PABAIGOJE

1. Atsukite išleidimo dangtelį ir išimkite vandens kamštį, kad visiškai išleistumėte kondensuotą vandenį.

PASTABA: įrenginio pasvirimo kampas turi būti ≤ 30 laipsnių.

2. Pusę dienos naudokite įrenginį ventiliatoriaus režimu, kad gerai išdžiūtų jo vidus ir nesusidarytų pelėsis.

3. Išjunkite įrenginį, atjunkite jį nuo elektros tinklo, apvyniokite maitinimo laidą aplink laido laikyklę.

4. Nuimkite šilto oro išmetimo žarną, išvalykite ją ir tinkamai laikykite.

PASTABA: nuimdami išmetimo žarną laikykite abiem rankomis.

5. Nykščiais nustumkite į šalį oro išmetimo angos tvirtinimo elementus, tada ištraukite išmetimo žarną.

6. Saugiai supakuokite oro kondicionierių į minkštą plastikinį maišelį, pastatykite jį sausoje vietoje su tinkamomis apsaugos nuo dulkių priemonėmis ir laikykite jį vaikams nepasiekiamoje vietoje.

7. Išimkite baterijas iš nuotolinio valdymo pulto ir tinkamai jas laikykite.

PASTABA: Įsitikinkite, kad įrenginys laikomas sausoje aplinkoje. Saugokite visus įrenginio priedus kartu, kad jie nebūtų sugadinti ar sugadinti.

## GARANTIJOS

Dvejų metų garantija nuo gamybos defektų. Atkreipkite dėmesį, kad garantija galioja tik pateikus pirkimo kvitą.

IŠSAUGOKITE KVITUS! Kvitai bus reikalingi bet kokiam garantiniam reikalavimui pareikšti per šį laikotarpį.

### GAUTI PRATESTĄ GARANTIJA

Gaukite 3 metų garantiją užsiregistruavę svetainėje warranty-woods.com.

SAUGOKITE KVITUS! Visi kvitai bus reikalingi teikiant bet kokią pretenziją dėl garantijos galiojimo laikotarpiu.



## TRIKČIŲ ŠALINIMAS

Prieš kreipdamiesi į specialistus patikrinkite įrenginį ir vadovaukitės toliau pateiktais pasiūlymais. Tačiau niekada nebandykite patys ardyti ar taisyti įrenginio, nes tai gali pakenkti jums ir jūsų turtui. Jei kyla problemų, nenurodytų lentelėje, arba rekomenduojami sprendimai neveikia, kreipkitės į profesionalią aptarnavimo organizaciją.

PROBLEMOS	PRIEŽASTIS	REMEDY
Įrenginio nepavyksta įjungti.	Maitinimo šaltinio gedimas.	Prijunkite įrenginį prie elektros lizdo ir jį įjunkite.
	Pilnas vandens bakas su atitinkama šviečiančia piktograma.	Išleiskite įrenginyje laikomą vandenį.
	Patalpos temperatūra yra žemesnė už nustatytą temperatūrą vėsinimo režimu arba aukštesnė už nustatytą temperatūrą šildymo režimu.	Užtikrinkite, kad įrenginys veiktų rekomenduojamoje temperatūroje. Sureguliuokite nustatytą temperatūrą.
Nepakankamas aušinimas.	Yra tiesioginių saulės spindulių.	Užtraukite lango užuolaidą.
	Durys ir langai yra atviri, patalpoje yra daug žmonių arba yra kitų šilumos šaltinių.	Uždarykite duris ir langus, pašalinkite kitus šilumos šaltinius ir apsvastykite galimybę įrengti papildomus oro kondicionierius.
	Užterštas filtras.	Išvalykite arba pakeiskite filtro tinklę.
	Užsikimšęs oro įsiurbimo arba išleidimo anga.	Pašalinkite visas kliūtis.
Didelis triukšmo lygis.	Įrenginys statomas ant nelygaus paviršiaus.	Padėkite įrenginį ant plokščios ir tvirtos vietos (gali sumažėti triukšmas)
Kompresorius neveikia.	Apsaugos nuo perkaitimo įjungimas.	Palaukite, kol temperatūra sumažės, įrenginys bus paleistas iš naujo automatiškai.
Nuotolinio valdymo pultas neveikia.	Per didelis atstumas tarp įrenginio ir nuotolinio valdymo pulto.	Priartinkite nuotolinio valdymo pultą prie oro kondicionieriaus ir užtikrinkite, kad oras būtų įrenginio signalo imtuve.
	Nuotolinio valdymo pultas nenukreiptas į įrenginio signalo imtuvą.	
	Baterijos išsikrovė.	Pakeiskite baterijas
Rodomas kodas "D7 arba E4".	Apsauga nuo užšalimo.	Pasibaigus apsaugai nuo užšalimo, funkcijos bus atkurtos automatiškai.
Rodomas kodas "FL".	Važiuklės vandens bakas yra pilnas.	Išleiskite kondensatą ir vėl įjunkite įrenginį.

## TECHNINĖ SPECIFIKACIJA

MODELIO NR.	CORTINA XL 14K WIFI	CORTINA XL 14K DUO WIFI	CORTINA XL 18K WIFI	CORTINA XL 18K DUO WIFI
Aušinimo pajėgumas	3900W	3900W	5000W	5000W
Šildymo pajėgumas	N/A	3500W	N/A	4000W
Energijos suvartojimas aušinimo režimu	1490W	1490W	1750W	1750W
Energijos suvartojimas šildymo režimu	N/A	1350W	N/A	1500W
Oro srautas	400m <sup>3</sup> /h	400m <sup>3</sup> /h	480m <sup>3</sup> /h	480m <sup>3</sup> /h
Energijos klasė	A	A	A	A
Oro sausinimas	38L/D	38L/D	70L/D	70L/D
Temperatūros nustatymas	17-30°C	17-30°C	17-30°C	17-30°C
Darbinė temperatūra	17-43°C	5-43°C	17-43°C	5-43°C
EER vėsinimo režimu	2,6	2,6	2,6	2,6
Žarnų ilgiai	1.5M	1.5M	1.5M	1.5M
Šaldymo dujos	R290/285g	R290/285g	R290/295g	R290/295g
Garso lygis vėsinimo režimu (LWA) (dB(A))	60-64 dB	60-64 dB	60-64 dB	60-64 dB
Garso lygis vėsinimo režimu (LPA) (dB(A))	48-53 dB	48-53 dB	48-53 dB	48-53 dB
Grynasis svoris	31.5kg	33kg	27.3kg	28.3kg
Įrenginio matmenys (V×Š×G×D)	770×440×410mm	770×440×410mm	770×440×410mm	770×440×410mm

**Gali atsirasti techninių pakeitimų ir patobulinimų. Visos vertės yra apytikslės ir gali skirtis priklausomai nuo išorinių aplinkybių, pavyzdžiui, temperatūros, ventiliacijos ir drėgmės.**

**Pastaba: Aplinkos apsauga ir šalinimas**

- Vartotojai yra teisiškai įpareigoti tinkamai šalinti elektroninius prietaisus, lempas ir baterijas pasibaigus jų naudojimo laikui.
- Juos galima nemokamai grąžinti į tam skirtas viešąsias surinkimo vietas arba per mažmenininkus.
- Asmens duomenų ištrynimasis yra vartotojo atsakomybė.
- Lemputes ir baterijas, kurias galima saugiai išimti ir kurios nėra įmontuotos nuolatinei, reikia atskirti ir šalinti atskirai.
- Teisės aktų reikalavimus atitinkantis šalinimas reglamentuojamas regioniniais teisės aktais.
- Perbraukto šiukšlių konteinerio simbolis reiškia, kad elektroniniai prietaisai ir baterijos po jų naudojimo laiko pabaigos jokia būdu negali būti išmetami su buitinėmis atliekomis.
- Po šiukšlių dėžės esantys simboliai nurodo, kad gaminyje gali būti tam tikrų medžiagų (švinas = Pb, gyvsidabris = Hg, kadmis = Cd).
- Šis atskyrimas yra būtinas, nes baterijose ir elektroniniuose prietaisuose yra vertingų išteklių ir medžiagų, kurios yra kenksmingos žmonėms ir aplinkai.
- Perdirbdami, surinkdami ir pakartotinai naudodami baterijas ir tinkamus elektroninius prietaisus, jūs prisidedate prie aplinkos ir žmonių sveikatos išsaugojimo ir apsaugos.



**VEGLI UZLIESMOJOŠS MATERIĀLS.**  
Ierīcē ir R290/propāns, kas ir viegli uzliesmojošs aukstumaģents.



Skatiet operatora rokasgrāmatu.



Lasiet tehnisko rokasgrāmatu.



Lasiet operatora rokasgrāmatu.

#### INFORMĀCIJA PAR DROŠĪBU

Pirms ierīces uzstādīšanas un lietošanas uzmanīgi izlasiet komplektā iekļauto instrukciju. Ražotājs neuzņemas atbildību par nepareizas uzstādīšanas un lietošanas izraisītām traumām un bojājumiem. Vienmēr glabājiet instrukciju ierīces tuvumā turpmākai uzziņai.

#### BĒRŅU UN NEAIZSARGĀTU PERSONU DROŠĪBA

##### BRĪDINĀJUMS ⚠

Trauma vai neatgriezeniskas invaliditātes risks.

Šo ierīci drīkst lietot bērni vecumā virs astoņiem gadiem, personas ar ierobežotām fiziskām, maņu vai garīgām spējām vai pieredzes un zināšanu trūkumu, ja viņiem ir nodrošināta uzraudzība vai sniegti norādījumi par ierīces drošu lietošanu un viņi saprot ar to saistītos riskus. Neļaujiet bērniem spēlēties ar ierīci. Neļaujiet bērniem rotaļāties ar šo ierīci.

Bērni līdz trīs gadu vecumam nedrīkst tuvoties ierīcei, ja vien viņi netiek nepārtraukti uzraudzīti.

Sargājiet visu iepakojumu no bērniem. Bērni nedrīkst bez uzraudzības veikt tīrīšanu un lietotājam veicamu apkopi.

#### VISPĀRĒJĀ DROŠĪBA

Šī ierīce ir paredzēta lietošanai

mājsaimniecībās un līdzīgās vidēs, piemēram, veikalos, birojos un citās darba telpās. Nominālvērtības plāksnīte atrodas ierīces sānos vai aizmugurē. Uzturiet ventilācijas atveres brīvas no šķēršļiem.

Atkausēšanas procesa paātrināšanai neizmantojiet mehāniskas ierīces vai citus līdzekļus, izņemot ražotāja ieteiktos. Ierīci nedrīkst uzglabāt telpā, kur nepārtraukti darbojas aizdegšanās avoti (atklāta liesma, darbojas gāzes iekārta, darbojas elektriskais sildītājs utt.). Necaurduriet un nededziniet. Ievērojiet, ka aukstumaģentiem var nebūt smaržas. Ierīces tīrīšanai neizmantojiet ūdens smidzinātāju un tvaiku. Tīriet ierīci ar mitru mīkstu drānu. Izmantojiet tikai neitrālus mazgāšanas līdzekļus. Neizmantojiet abrazīvus produktus, abrazīvus tīrīšanas spilventiņus, šķīdinātājus vai metāla priekšmetus. Ja strāvas vads ir bojāts, tas jānomaina ražotājam, tā pilnvarotam pakalpojumu centram vai līdzīgi kvalificētiem darbiniekiem, lai izvairītos no riska.

#### DROŠĪBAS NORĀDĪJUMI

##### BRĪDINĀJUMS ⚠

Šo ierīci drīkst uzstādīt tikai kvalificēta persona.

Noņemiet visu iepakojuma materiālu. Neuzstādiet un nelietojiet bojātu ierīci. Ierīce ir jāuzstāda, jālieto un jāglabā telpā, kur uz grīdas ir vismaz 14 m<sup>2</sup> brīvas vietas. Stingri ievērojiet iekārtas uzstādīšanas instrukcijā sniegtos norādījumus. Pārvietojot ierīci, vienmēr rīkojieties piesardzīgi, jo ierīce ir smaga. Vienmēr lietojiet aizsargcimdus.

Nodrošiniet, lai ap ierīci varētu cirkulēt gaiss. Pirms ierīces pievienošanas strāvas avotam uzgaidiet vismaz 4 stundas. Tā ir jārikojas, lai eļļa varētu ieplūst atpakaļ kompresorā. Neuzstādiet ierīci radiatoru vai citu karstuma avotu tuvumā. Neuzstādiet iekārtu tiešā saules gaismā.

#### ELEKTRISKAIS SAVIENOJUMS

##### BRĪDINĀJUMS ⚠

Ugunsgrēka un elektriskās strāvas trieciena risks.

Ierīce ir jāpievieno iezemētai kontaktligzdai. Nodrošiniet, lai elektriskie parametri uz nominālo datu uzlīmes atbilstu elektropadevei. Ja tā nav, sazinieties ar elektriķi. Vienmēr izmantojiet pareizi uzstādītu

trīcienizturīgu kontaktligzdu. Neizmantojiet vairāku ligzdu adapterus un pagarinātājus. Uzmanieties, lai nesabojātu elektriskās sastāvdaļas (piemēram, kontaktdakšu un kabeli). Ja ir jānomaina elektriskās sastāvdaļas, sazinieties ar pilnvaroto apkopes centru vai elektriķi. Kabelim ir jāatrodas zemāk par kontaktdakšu. Pievienojiet kontaktdakšu kontaktligzdai tikai uzstādīšanas beigās. Pēc uzstādīšanas pārlicinieties, vai var piekļūt kontaktdakšai. Atvienojot ierīci, nevelciet aiz strāvas kabeļa. Atvienojot strāvas kabeli, vienmēr turiet tikai kontaktdakšu.

#### LIETOŠANA

##### BRĪDINĀJUMS ⚠

Savainojumu, apdegumu, strāvas trieciena vai ugunsgrēka risks.

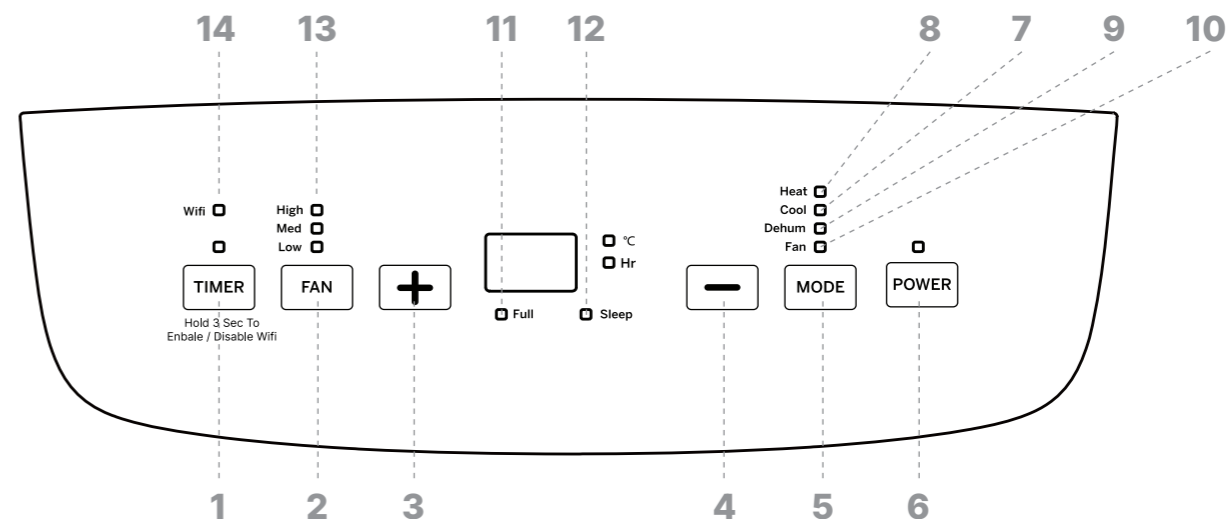
Nemainiet šīs ierīces tehniskos datus. Uzmanieties, lai nesabojātu aukstumaģenta kontūru. Tas satur propānu (R290), kas ir dabasgāze ar augsta līmeņa saderību ar vidi. Šī gāze ir viegli uzliesmojoša. Aukstumaģenta kontūra bojājumu gadījumā nodrošiniet, lai telpā nebūtu liesmu un uzliesmošanas avotu. Izvēdiniet telpu. Nenovietojiet uz ierīces vai tās tuvumā viegli uzliesmojošus produktus vai ar šādiem produktiem samitrinātus priekšmetus.

#### LIKVIDĒŠANA

##### BRĪDINĀJUMS ⚠

Savainojumu risks.

Atvienojiet ierīci no strāvas avota. Nogrieziet strāvas padeves vadu un izmetiet to. Šīs ierīces aukstumaģenta kontūrs nav kaitīgs ozona slānim. Konsultējieties ar vietējām varas iestādēm, lai uzzinātu, kā pareizi likvidēt šo ierīci. Nesabojājiet siltummaiņa tuvumā esošo dzesēšanas bloka daļu.



Paldies par pirkumu un uzticēšanos uzņēmumam Wood's. Šī rokasgrāmata iepazīstina ar AC Cortina XL darbības režīmiem.

**Dzesēšanas režīms:** Atdzesē telpu līdz vēlamajai temperatūrai. Optimālā darba vides temperatūra dzesēšanas modeļiem ir 17-43°C.

**Apkures režīms:** Uzkaršē telpu līdz vēlamajai temperatūrai. Optimālā darba vides temperatūra gan dzesēšanas, gan sildīšanas modeļiem ir 5-43°C. (Piezīme! Šis režīms ir pieejams tikai AC modelim ar Duo/apkures funkciju.)

**Gaisa sausināšanas režīms:** Samazina mitruma līmeni telpā.

**Ventilatora režīms:** Gaisa cirkulācija telpā bez dzesēšanas.

#### LIETOŠANAS INSTRUKCIJAS

##### PRODUKTA DAĻAS (SKAT. A UN B ATTĒLU)

- Tālvadības pults saņemšanas logs
- Vadības panelis
- Gaisa izplūdes atvere
- Riteņi
- Aizmugurējā paneļa augšējā filtra komplekts
- Kabeļu uztīšanas kronšteini
- Aizmugurējā paneļa apakšējā filtra montāža
- Drenāžas vāks
- Tālvadības pults nodalījums
- Gaisa ieplūdes atvere
- Gaisa izplūdes atvere
- Logu komplekti
- Izplūdes šūtenes apaļais savienotājs
- Izplūdes šūtene
- Adapteris izplūdes šūtenei

##### VADĪBAS PANELIS (SKATĪT IEPRIEKŠ VAI C ATTĒLU)

- Taimera poga
- Ventilatora ātruma poga
- Augšup poga
- Poga uz leju
- Režīma poga
- Barošanas poga
- Dzesēšanas režīma indikators
- Apkures režīma indikators (PIEZĪME! Šis simbols ir pieejams tikai AC modelim ar Duo/apkures funkciju.)
- Gaisa sausināšanas režīms
- Ventilatora režīma indikators
- Ūdens pilns indikators
- Miega režīma indikators
- Ventilatora ātruma indikators
- Wi-Fi indikators. (PIEZĪME! Šis simbols ir pieejams tikai AC modelim ar Wi-Fi/Smart Home funkciju.)

##### DARBA REŽĪMI UN VADĪBAS PANEĻA FUNKCIJAS (SKATĪT ATTĒLU C)

**Barošanas poga (6):** Nospiediet šo taustiņu, lai aktivizētu ierīci; atskanēs melodiska skaņa, un ierīce automātiski pāries dzesēšanas režīmā ar iepriekš iestatītu temperatūru 24° C. Ventilators darbosies ar vidēju ātrumu.

Lai deaktivizētu ierīci, vēlreiz nospiediet šo taustiņu, un atskanēs melodiska skaņa, kas signalizēs par ierīces izslēgšanu.

1. Kad ierīce ir ieslēgta, LCD logā tiek rādīta iestatītā temperatūra dzesēšanas režīmā un sildīšanas režīmā (PIEZĪME! Sildīšanas simbols ir pieejams tikai AC modelim ar Duo/Sildīšanas funkciju) vai apkārtējās vides temperatūra gaisa sausināšanas režīmā, ventilatora režīmā. Ventilators sāks darboties, un gaisa izplūdes logs atvērsies automātiski.

2. Kad ierīce ir izslēgta, visas detaļas

pārtrauc darboties, un gaisa izplūdes logs automātiski aizveras.

**PIEZĪME!** Ventilators turpinās darboties vēl īsu brīdi pēc tam, kad iekārta ir izslēgta.

**Režīma poga (5):** Nospiediet pogu "Mode" (Režīms), lai apstiprinātu pieejamos režīmus.

**Dzesēšanas režīms (7):** Atdzesē telpu līdz iestatītajai temperatūrai.

**Apkures režīms (8):** Uzkaršē telpu līdz iestatītajai temperatūrai. (PIEZĪME! Šis režīms ir pieejams tikai AC modelim ar Duo/apkures funkciju.)

**Gaisa sausināšanas režīms (9):** Samazina mitrumu telpā.

**Ventilatora režīms (10):** Gaisa cirkulācija un attīrīšana telpā bez dzesēšanas.

**Poga uz leju (4):** Noklikšķiniet, lai samazinātu iestatīto temperatūru vai pielāgotu uz leju.

**Augšup poga (3):** Noklikšķiniet uz pogas, lai iestatīto temperatūru paaugstinātu.

**Ventilatora ātruma poga (2):** Nospiediet ventilatora ātruma pogu, lai izvēlētos lielu, vidēju vai mazu ventilatora ātrumu.

**PIEZĪME!** Ventilatora ātrumu nevar regulēt gaisa sausināšanas un miega režīmā.

**Taimeris (1):** Nospiediet vienu reizi, lai aktivizētu taimera funkciju. Iestatiet stundu skaitu (1-24), nospiežot + vai -. Kad displejs parstāj mirgot, taimeris ir iestatīts. Lai deaktivizētu, nospiediet taimera pogu 2 reizes.

##### FUNKCIJAS, KOMBINĒJOT POGAS (SKAT. ATTĒLU C).

**Miega funkcija (12):** SLEEP funkcija tiek ieslēgta vai atcelta, vienlaicīgi nospiežot TIMER pogu (1) un pogu Uz augšu (3). Ņemiet vērā, ka miega funkcijā ventilatora ātrums nav regulējams.

- Ja dzesēšanas režīmā ir aktivizēta miega funkcija, tā pēc 2 stundām paaugstina iestatīto temperatūru par 1° C un pēc vēl 2 stundām to paaugstina vēl par 1° C,

saglabājot šo temperatūru.

- Ja sildīšanas režīmā ir aktivizēta miega funkcija (pieejama tikai AC modeļiem ar Duo/sildīšanas funkciju), pēc 2 stundām tā pazemina iestatīto temperatūru par 1° C. Pēc tam pēc vēl 2 stundām tā samazina to vēl par 1° C, un pēc tam darbojas šajā temperatūrā. PIEZĪME! Miega funkcija būs neefektīva ventilatora režīmā, gaisa sausināšana režīmā.

**Automātiskās šūpoles funkcija:** Lai aktivizētu vai deaktivizētu automātiskās šūpoles funkciju, vienlaicīgi nospiediet TIMER pogu (1) un ventilatora ātruma pogu (2).

#### WIFI FUNKCIJA (14):

(attiecas tikai uz AC modeļiem ar WiFi/Smart Home funkcionalitāti.)

Wood's



1. Lejupielādējiet lietotni Wood's Connect no App Store vai Google Play.

2. Reģistrējieties un izpildiet norādījumus. Pieņemiet visus soļus. (Uzmanīgi izlasiet konfidencialitātes politiku un, ja piekrītat līgumiem, piesitiet apakšā "Piekrītu", lai turpinātu.)

3. Atveriet lietotni Wood's Connect un sākuma ekrānā nospiediet "pievienot ierīci".

4. Lai pārslēgtos pāra režīmā, nospiediet un turiet nospiektu TIMER (1) pogu uz ierīces 3 sekundes, lai Wi-Fi ikona uz displeja strauji mirgo.

5. Kad ekrānā atklājat ierīci, nospiediet Pievienot. Varat arī manuāli izvēlēties modeli.

6. Aizpildiet Wi-Fi iestatījumus un paroli un nospiediet Nākamais.

7. Nospiediet +, lai pievienotu vienību.

8. Pagaidiet, līdz vienība tiek pievienota, un nospiediet Done.

Lai atvienotu Wi-Fi funkciju, 3 sekundes nospiediet uz ierīces pogu TIMER (1).

#### TĀLVDĪBAS PULS DARBĪBAS REŽĪMI (SKATĪT ATTĒLU D)

**Jauda (1):** Nospiediet šo pogu, lai ieslēgtu ierīci, kad tā ir zem sprieguma, vai apturētu ierīci, kad tā darbojas.

**Režīma poga (2):** Nospiediet šo pogu, lai izvēlētos darbības režīmu.

**Augšup poga (4):** Nospiediet augšupvērsto pogu, lai palielinātu telpas temperatūru un taimera iestatījumu.

**Poga uz leju (5):** Nospiediet pogu uz leju, lai

samazinātu telpas temperatūru un taimera iestatījumu.

**Ventilatora poga (6):** Nospiediet šo pogu, lai izvēlētos ventilatora ātrumu: Zems, vidējs, augsts.

#### Automātiskās šūpoles poga (7):

Nospiediet šo pogu, lai vai izslēgtu automātiskās šūpoles funkciju.

**Miega režīms (8):** Nospiediet šo pogu, lai izvēlētos vai atceltu miega režīmu (darbojas tikai dzesēšanas vai sildīšanas režīmā).

**Taimera poga (3):** Iestatiet AUTO-ON funkciju gaidīšanas režīmā un AUTO-OFF, kad ierīce darbojas. Laiku var iestatīt no 1 līdz 24 stundām. Lai izslēgtu taimeri, nospiediet taimera pogu un iestatiet taimeri uz "0".

Pirms tālvadības pults lietošanas instalējiet AAA tipa baterijas, izpildot šādas darbības: (SKATĪT ATTĒLU D)

1. Novietojiet un uzmanīgi noņemiet akumulatora vāciņu, kas atrodas tālvadības pults aizmugurē.

2. divas jaunas sārmainas AAA baterijas paredzētajā bateriju nodalījumā, nodrošinot pareizu polaritāti.

3. No jauna piestipriniet akumulatora vāciņu, pārliecinoties, ka fiksācijas cilpiņa ir droši iespiesta savā vietā.

PIEZĪME!

- Izmantojiet tikai sārma baterijas. Neizmantojiet uzlādējamās baterijas.

- Vienmēr nomainiet abas baterijas pret ; nejaucaiet vecās un jaunās baterijas.

- Izmantojiet baterijas no tālvadības pults, ja gaisa kondicionieris netiks lietots ilgāku laiku.

#### TĀLVDĪBAS PULS GLABĀŠANA (SKAT. E ATTĒLU)

Ievietojiet tālvadības pulti iebūvētajā nodalījumā ierīces aizmugurējā pusē.

PIEZĪME! Lai izvairītos no tālvadības pults pazaudēšanas, lūdzu, ievietojiet to glabāšanas vietā, kad to nelietojat.

**BRĪDINĀJUMS:** Ja akumulators noplūst uz ādas vai apģērba, nekavējoties rūpīgi nomazgājiet skarto vietu ar tīru ūdeni. Nelietojiet tālvadības pulti, ja ir jebkādas akumulatora noplūdes pazīmes. Baterijas šķidrums norīšanas gadījumā nekavējoties meklējiet medicīnisko palīdzību.

Akumulatoros esošās ķīmiskās vielas var radīt risku, piemēram, apdegumus un citus veselības apdraudējumus.

## UZSTĀDĪŠANA

#### PIRMS PIRMĀS LIETOŠANAS

Pirms lietošanas ļaujiet ierīcei nostāvēties 3 stundas vertikālā stāvoklī.

Šis gaisa kondicionieris ir paredzēts ērtai pārvietošanai telpās. Pārvietojot ierīci,

pārliecinieties, ka tā paliek vertikālā stāvoklī. Novietojiet gaisa kondicionieri uz līdzenas virsmas. Neuzstādiet un nelietojiet šo gaisa kondicionieri vannas istabās vai citās mitrās telpās.

#### SVARĪGA INFORMĀCIJA PIRMS GAISA ŠĻŪTENES UZSTĀDĪŠANAS

Lai samazinātu spiediena kritumu un jaudas zudumu, ekspluatācijas laikā šļūtene ir pēc iespējas īsāka un ar pēc iespējas mazāk līkumiem.

Izplūdes šļūtenei jābūt gludai, novērstu gaisa kondicioniera pārkaršanu un iespējamus bojājumus. Šļūtenes garums ir no 280 mm līdz 1500 mm. Izvairieties no šļūtenes pagarināšanas vai nomaīņas ar citu šļūteni, jo tas var ietekmēt darbību.

#### IZPLŪDES ŠĻŪTENES UN TĀS ADAPTERA . (SKATĪT ATTĒLU F)

1. Izņemiet plastmasas maisiņu, no iepakojuma izņemot izplūdes šļūteni, tās savienotāju un adapteri.

2. Izvelciet vienu izplūdes šļūtenes galu un pievienojiet apaļo savienotāju, pagriežot to pretēji pulksteņrādītāja virzienam vismaz trīs apgriezienus.

3. Izvelciet otru izplūdes šļūtenes galu un piestipriniet adapteri, pagriežot to pretēji pulksteņrādītāja virzienam vismaz trīs apgriezienus.

4. Novietojiet izplūdes šļūtenes komplekta priekšējo galu uz izplūdes gaisa izplūdes atveres, kas atrodas uz aizmugurējā paneļa, norādītās izgriezumvietas. Stiprinājumi droši nostiprinās izplūdes šļūtenes mezglu vietā.

5. Uzstādiet gaisa izplūdes šļūteni uz iekārtas.

PIEZĪME! Pārliecinieties par pareizu adaptera slīpās puses orientāciju, lai atvieglotu loga blīvējuma plāksnes uzstādīšanu.

Nodrošiniet drošu un labi novietotu izplūdes šļūtenes savienojumu.

#### LOGA BLĪVĒJUMA PLĀKSNES UZSTĀDĪŠANA (SKAT. G ATTĒLU)

1. Ievietojiet šļūtenes komplekta taisnstūra galu atbilstošajos taisnstūra caurumos loga blīvējuma plāksnes komplektā un nostipriniet to ar skrūvi.

PIEZĪME!

- Novietojiet adapterus uz leju, pārliecinoties, ka tie ir droši uzstādīti.

- Pārliecinieties, ka slīpā paneļa virziens sakrīt ar blīvējuma plāksnes virzienu.

- Pārliecinieties, ka šļūtene ir iespējas taisna, lai nodrošinātu atbilstošu ventilāciju.

2. Atveriet logu līdz pusei un ievietojiet blīvējuma plāksni logā, novietojot to vertikāli vai horizontāli.

3. Pagariniet blīvējuma plāksnes daļas un pielāgojiet tās loga garumam.

Pārliecinieties, ka abi gali saskaras ar loga malām, un nostipriniet to vietā, izmantojot skrūves.

PIEZĪME! Pārliecinieties, ka abi loga blīvējuma plāksnes gali efektīvi saskaras ar loga malām, lai nodrošinātu pareizu blīvējumu.

Pārliecinieties, ka skrūves ir stingri pievilktas pareizajā pozīcijā.

4. Pārvietojiet ierīci ar šļūteni loga priekšā un turiet ierīci vismaz 50 cm attālumā no sienām vai citiem priekšmetiem

#### IESLĒGT IERĪCI

Lai ieslēgtu ierīci, pievienojiet to strāvas padevei.

Tagad ierīce ir gatava lietošanai!

#### UZTURĒŠANA

PIEZĪME! Pirms apkopes izslēdziet ierīci un izvelciet kontaktdakšu.

#### DRENĀŽAS INSTRUKCIJA (SKATĪT ATTĒLU H)

Lielākā daļa ūdens tiks dabiski izvadīta caur izplūdes šļūteni kopā ar karsto gaisu.

Ja tvertni nepieciešams iztukšot, ierīce jūs par to informēs. (SKATĪT C attēlā, pilns indikators)

Lai iztukšotu ūdens tvertni: Atskrūvējiet iztukšošanas vāku un atvienojiet ūdens aizbāzni, lai ūdens varētu ieplūst tehnē. PIEZĪME:

Lai novērstu noplūdi, ievērojiet piesardzību, ja ierīci nepieciešams pārvietot. Iztukšošanas laikā ierīci nedaudz nolieciet uz aizmuguri. Ja paplātē nespēj notecēt viss no ierīces izplūstošais ūdens, nekavējoties aizbloķējiet drenāžas atveri, lai novērstu ūdens noplūdi un izvairītos no grīdas vai paklāja samērcēšanas. Pārliecinieties, ka ūdens aizbāznis un iztukšošanas vāks ir cieši uzstādīti, lai novērstu jauna kondensāta ūdens samērcēšanu grīdā vai paklājā, kad ierīce tiek iedarbināta no jauna.

Ūdens šļūtenes pieslēgšana nepārtraukti drenāžai: Atskrūvējiet drenāžas vāku un noņemiet ūdens aizbāzni. Pievienojiet 12 mm iekšējā diametra ūdens šļūteni pie ierīces caurules. Otru ūdens šļūtenes galu novietojiet kanalizācijā.

Pārliecinieties, ka ūdeni var novadīt uz leju.

PIEZĪME: Ja tehnē nav ūdens, jāuzstāda drenāžas šļūtene.

Ieteicams neizmantojot nepārtrauktu drenāžu, ja ierīce darbojas dzesēšanas režīmā, lai nodrošinātu pietiekamu ūdens recirkulāciju ierīcē un uzlabotu sistēmas dzesēšanas efektu. Novietojiet drenāžas šļūteni nepieejamā vietā, nodrošinot, ka tā nav novietota augstāk par drenāžas atveri, un lai drenāžas šļūtene būtu taisna, bez līkumiem. Ja tiek izmantota nepārtraukta drenāža, pārliecinieties, ka drenāžas vāks un tā aizbāzni ir pienācīgi nostiprināti.

#### VAIRĀKAS AIZSARDZĪBAS FUNKCIJAS

Automātiska atkausēšana: Ierīce automātiski atkausēsies, kad tas būs nepieciešams. Atkausēšanas režīmā uz displeja tiek rādīts D7, un nekādas pogas, izņemot POWER pogu, nav aktīvas.

Kompresora aizsardzība: Ierīcei ir kompresora aizsardzības funkcija, izraisa 3 minūšu starta aizkavi pēc ierīces atkārtotas iedarbināšanas.

Pilna ūdens tilpuma drošības signalizācija un izslēgšanas aizsardzības funkcija: Ja ūdens daudzums pārsniedz noteikto trauksmes līmeni ierīces šasijā, tiek iedarbināts automātisks brīdinājuma signāls, un LCD displeja iedegas ikona "ūdens pilns". Šādā gadījumā nepieciešams iztukšot kondensēto ūdeni, ievērojot norādījumus, kas sniegti sadaļā "Iztukšošanas instrukcija". Ja ierīce nav manuāli izslēgta, tā automātiski atgriezīsies sākotnējā darbības stāvoklī, tiklīdz kondensētais ūdens būs pilnībā iztukšots. Alternatīvi, lai atkārtoti iedarbinātu ierīci, atkārtoti pievienojiet strāvas padevi.

#### VIRSMU TĪRĪŠANA

- Lai izvairītos no bojājumiem, ierīces virsmu notīriet ar mitru, mīkstu drānu un nelietojiet ķīmiskus šķīdinātājus, piemēram, spirtu vai benzīnu.

- Notīriet netīro gaisa izplūdes atveri vai žalūzijas ar mitru mīkstu drānu un maigu mazgāšanas līdzekli.

- Ierīces tīrīšanai aizliegts izmantot jebkādas ķīmiskas šķīdinātājus vai ilgstoši novietot šādas lietas ierīces tuvumā.

- Ierīces tīrīšanai ir aizliegts izmantot jebkuru atšķaidītāju, spirta glazūru vai līdzīgus šķīdinātājus.

#### MAZGĀJAMA FILTRA TĪRĪŠANA (SKAT. I ATTĒLU)

Lai novērstu to, ka putekļu uzkrāšanās ietekmē ierīces darbību, ir svarīgi divās nedēļās iztīrīt filtru. Iegremdējiet un uzmanīgi mazgājiet filtru siltā ūdenī (aptuveni 40° C), kas sajaukts ar neitrālu tīrīšanas līdzekli. Pēc tīrīšanas to atkal uzstādiet atpakaļ ierīcē.

Notīriet apakšējos filtrus: Izvelciet apakšējos filtrus, pēc tam noņemiet aizmugurējo filtru un iztīriet to.

UZMANĪBU! Uzmanīgi izvelciet filtru, priekšroku dodot aizmugurējā paneļa filtra izņemšanai pirms sānu paneļa filtra, lai novērstu jebkādu saskrūšanos vai bojājumus. Esiet piesardzīgi, lai nesaspieztu sietu, un izvairieties trāpīt sietam ar asiem priekšmetiem vai birstēm.

PIEZĪME! Pirms filtra uzstādīšanas uz aizmugurējā panepārliecinieties, ka filtrs ir uzstādīts uz sānu paneļa.

Uzstādiet filtru pretējā virzienā, nekā tas tika noņemts.

#### GLABĀŠANA SEZONAS BEIGĀS

1. Atskrūvējiet drenāžas vāku un noņemiet ūdens aizbāzni, lai pilnībā iztukšotu kondensēto ūdeni.

PIEZĪME: ierīces slīpuma leņķim jābūt ≤ 30 grādi.

2. Izmantojiet ierīci ventilatora režīmā pusi, lai pilnībā izžāvētu iekšpusi un novērstu pelējuma veidošanos.

3. Izslēdziet ierīci, atvienojiet to no tīkla, aptīniet strāvas vadu ap vadu tinuma balstu.

4. Noņemiet siltuma izplūdes šļūtenes komplektu, notīriet to un pienācīgi uzglabājiet.

PIEZĪME: Noņemot izplūdes šļūtenes komplektu, turiet to ar abām rokām.

5. Ar īkšķiem nospiediet malā izplūdes gaisa izplūdes atveres stiprinājumus, pēc tam izvelciet izplūdes šļūtenes komplektu.

6. Gaisa kondicionieri droši iesaiņojiet mīkstā plastmasas maisiņā, novietojiet sausā vietā ar piemērotiem pretputekļu aizsardzības pasākumiem un glabājiet to bērniem nepieejamā vietā.

7. Izņemiet baterijas no tālvadības pults un pareizi tās uzglabājiet.

PIEZĪME: Pārliecinieties, ka ierīce tiek uzglabāta sausā vidē. Kopīgi sargājiet visus ierīces piederumus, lai novērstu bojājumus vai bojāšanos.

## GARANTIJAS

Divu gadu garantija pret ražošanas defektiem. Lūdzu, ņemiet vērā, ka garantija ir spēkā tikai pēc pirkuma čeka uzrādīšanas. SAGLABĀJIET SAVUS ČEKUS! Kvītis būs nepieciešamas, lai šajā periodā varētu iesniegt garantijas pretenzijas.

#### SAŅEMT PAGARINĀTO GARANTIJU

Iegūstiet 3 gadu garantiju, reģistrējoties vietnē warranty-woods.com.

SAGLABĀJIET KVĪTIS! Visas kvītis būs nepieciešamas, lai šajā periodā varētu iesniegt jebkuru garantijas prasību.



## PROBLĒMU NOVĒRŠANA

Pirms pieprasīt profesionālu apkopi, pārbaudiet ierīci un izpildiet tālāk sniegtos ieteikumus. Tomēr nekad nemēģiniet demontēt vai remontēt ierīci paši, jo tas var kaitēt jums un jūsu īpašumam. Ja rodas problēmas, kas nav uzskaitītas tabulā, vai ieteicamie risinājumi nedarbojas, sazinieties ar profesionālu servisa organizāciju.

PROBLĒMAS	CĒLONIS	REMEDY
Ierīci neizdodas iedarbināt.	Strāvas padeves traucējumi.	Pievienojiet ierīci strāvas kontaktligzdai un ieslēdziet to.
	Pilna ūdens tvertne ar atbilstošu izgaismotu ikonu.	Iztukšojiet ierīcē uzglabāto ūdeni.
	Telpas temperatūra ir zemāka par iestatīto temperatūru dzesēšanas režīmā vai augstāka temperatūra sildīšanas režīmā.	Pārlecinieties, ka ierīce darbojas ieteicamajā temperatūras diapazonā. Noregulējiet iestatīto temperatūru.
Nepietiekama dzesēšana.	Ir tieša saules gaisma.	Aizveriet loga aizkaru.
	Durvis un logi ir atvērti, telpa ir pārpildīta vai ir citi siltuma avoti.	Aizveriet durvis un logus, izņemiet citus siltuma avotus un apsveriet iespēju pievienot papildu gaisa kondicionierus.
	Netīrs filtrs.	Notīriet vai nomainiet filtra sietu.
	Aizsprostota gaisa ieplūdes vai izplūdes atvere.	Noņemiet visus šķēršļus.
Augsts trokšņa līmenis.	Ierīce tiek novietota uz nelīdzenas virsmas.	Novietojiet ierīci līdzenā un stingrā vietā (var samazināt troksni).
Kompresors nedarbojas.	Aizsardzības pret pārkaršanu iedarbināšana.	Pagaidiet, līdz temperatūra pazeminās, ierīce tiks automātiski restartēta.
Tālvadības pults nedarbojas.	Pārāk liels attālums starp ierīci un tālvadības pulti.	Pietuviniet tālvadības pulti gaisa kondicionierim un nodrošiniet, lai gaisa pie signāla uztvērēja uz iekārtas.
	Tālvadības pults nav vērsta pret signāla uztvērēju ierīcē.	
	Izsmeltas baterijas.	Bateriju nomaina
Tiek parādīts kods "D7 vai E4".	Aizsardzība pret sasalšanu.	Funkcijas atjaunosies automātiski, tiklīdz beigsies aizsardzība pret sasalšanu.
Tiek parādīts kods "FL".	Šasijas ūdens tvertne ir pilna.	Iztukšojiet kondensātu un atkārtoti iedarbiniet ierīci.

## TEHNISKĀ SPECIFIKĀCIJA

MODELIS NR.	CORTINA XL 14K WIFI	CORTINA XL 14K DUO WIFI	CORTINA XL 18K WIFI	CORTINA XL 18K DUO WIFI
Dzesēšanas jauda	3900W	3900W	5000W	5000W
Sildīšanas jauda	N/A	3500W	N/A	4000W
Enerģijas patēriņš dzesēšanas režīmā	1490W	1490W	1750W	1750W
Enerģijas patēriņš sildīšanas režīmā	N/A	1350W	N/A	1500W
Gaisa plūsma	400m <sup>3</sup> /h	400m <sup>3</sup> /h	480m <sup>3</sup> /h	480m <sup>3</sup> /h
Enerģijas klase	A	A	A	A
Izžāvēšana	38L/D	38L/D	70L/D	70L/D
Temperatūras iestatījums	17-30°C	17-30°C	17-30°C	17-30°C
Darba temperatūra	17-43°C	5-43°C	17-43°C	5-43°C
EER dzesēšanas režīmā	2,6	2,6	2,6	2,6
Šļūteņu garumi	1.5M	1.5M	1.5M	1.5M
Aukstumnesēja gāze	R290/285g	R290/285g	R290/295g	R290/295g
Skaņas līmenis dzesēšanas režīmā (LWA) (dB(A))	60-64 dB	60-64 dB	60-64 dB	60-64 dB
Skaņas līmenis dzesēšanas režīmā (LPA) (dB(A))	48-53 dB	48-53 dB	48-53 dB	48-53 dB
Neto svars	31.5kg	33kg	27.3kg	28.3kg
Ierīces izmēri (H×W×D)	770×440×410mm	770×440×410mm	770×440×410mm	770×440×410mm


**Var notikt tehniskas izmaiņas un uzlabojumi. Visas vērtības ir aptuvenas un var atšķirties atkarībā no ārējiem apstākļiem, piemēram, temperatūras, ventilācijas un mitruma.**





### Piezīme: Vides aizsardzība un atkritumu apglabāšana

- Patērētājiem ir juridisks pienākums elektroniskās ierīces, lampas un baterijas pēc to kalpošanas laika beigām nodot atkritumos atbilstoši noteikumiem.
- Tās var bez maksas nodot izmantošanai atbilstoši noteikumiem izveidotās publiskās savākšanas vietās vai izplatītājiem.
- Personas datu dzēšana ir patērētāja pienākums.
- Spuldzes un baterijas, kuras var droši izņemt un kuras nav pastāvīgi uzstādītas, ir jāšķiro atkritumos atbilstoši noteikumiem.
- Sīkāka informācija par likumīgu apglabāšanu ir noteikta reģionālajos tiesību aktos.
- Pārkrustīta atkritumu tvertnes simbols norāda, ka elektroniskās ierīces un baterijas pēc to kalpošanas laika beigām nekad nedrīkst izmest kopā ar sadzīves atkritumiem.
- Simboli zem atkritumu tvertnes norāda uz iespējamu noteiktu vielu klātbūtni (svins = Pb, dzīvsudrabs = Hg, kadmijs = Cd).
- Šāda šķirošana ir nepieciešama, jo baterijas un elektroniskās ierīces satur gan vērtīgus resursus, gan vielas, kas ir kaitīgas cilvēkiem un videi.
- Pārstrādājot, savācot un atkārtoti izmantojot baterijas un piemērotas elektroniskās ierīces, jūs veicināt vides un cilvēku veselības saglabāšanu un aizsardzību.



 Lugege operaatori kasutusjuhendit.


 Lugege tehnilist juhendit.

 Lugege operaatori kasutusjuhendit.

#### OHUTUSALANE TEAVE

Enne seadme paigaldamist ja kasutamist lugege kaasasolev juhend hoolikalt läbi. Tootja ei vastuta, kui vale paigaldus ja kasutus põhjustab kehavigastusi ning kahju. Hoidke kasutusjuhend tulevikus kasutamiseks alati seadme juures.

#### LASTE JA HAAVATAVATE ISIKUTE OHUTUS

**HOIATUS**  Kehavigastuste või püsiva tervisekahjustuse oht.

Antud seadet võivad kasutada kaheksa-aastased ja vanemad lapsed ning vähenenud füüsiliste, sensoorsete või vaimsete võimetega isikud või vastavate kogemusteta ja teadmisteta isikud, kui nad teevad seda järelevalve all või neile on õpetatud seadme ohutut kasutamist ning nad mõistavad seonduvaid ohtusid. Ärge laske lastel seadmega mängida.

Alla kolmeaastasteid lapsi ei tohi seadme juurde lubada, välja arvatud pideva järelevalve korral.

Hoidke pakendi kõiki detaile lastele kättesaamatult. Ilma järelevalveta ei tohi lapsed seadet puhastada ega hooldada.


#### ÜLDINE OHUTUS

See seade on mõeldud kasutamiseks

kodumajapidamistes ja sarnastes keskkondades, nagu kauplused, kontorid ja muud töökeskkonnad. Märgistusemärk asub seadme küljel või tagaküljel. Hoidke ventilatsioonivad vabana.

Sulatuse kiirendamiseks ärge kasutage mehaanilisi võtteid ega muid vahendeid, vaid ainult tootja soovitatut. Seadet ei tohi hoida ruumis, kus asuvad pidevalt töötavad süüteallikad (lahtine leek, töötav gaasiseade või töötav elektriline küttekeha jne). Ärge torgake läbi ega põletage. Võtke arvesse, et külmutusagensid võivad olla lõhnutud. Ärge piserdage seadet puhastamiseks veega ega kasutage auru. Puhastage seadet niiske pehme lapiga. Kasutage ainult neutraalseid pesuvahendeid. Ärge kasutage abrasiivseid tooteid, abrasiivseid puhastuslappe, lahusteid ega metallesemeid. Kui toitekaabel on kahjustatud, peab selle ohu vältimiseks välja vahetama tootja, tema volitatud teeninduskeskus või sarnase kvalifikatsiooniga isikud.

#### OHUTUSJUHISED

**HOIATUS**  Antud seadet võib paigaldada ainult kvalifitseeritud isik.

Eemaldage kogu pakkematerjal. Ärge paigaldage ega kasutage kahjustatud seadet. Seade tuleb paigaldada ja seda kasutada ning hoiustada ruumis, mille pindala on suurem kui 14 m<sup>2</sup>. Järgige rangelt seadmega kaasas olevat paigaldusjuhendit. Olge seadme liigutamisel alati ettevaatlik, kuna see on raske. Kandke alati kaitsekindaid.

Veenduge, et õhk pääseks seadme ümber liikuma. Enne seadme elektritoitega ühendamist oodake vähemalt 4 tundi. See võimaldab õlil tagasi kompressorisse voolata. Ärge paigaldage seadet radiaatorite või muude küttekehade lähedusse. Ärge paigaldage seadet otsese päikesevalguse kätte.


#### ELEKTRIÜHENDUS

**HOIATUS**  Tulekahju- ja elektrilöögi oht.

Seade tuleb ühendada maandatud pistikupesasse. Veenduge, kas elektritoide vastab andmeplaadil esitatud elektriandmetele. Kui ei vasta, võtke ühendust elektrikuga. Kasutage alati õigesti paigaldatud elektrilöögi kindlat pistikupesasse. Ärge


kasutage jaoturadapereid ega pikendusjuhtmeid. Veenduge, et te ei kahjustaks elektrilisi komponente (nt pistik, kaabel). Elektriliste komponentede vahetamiseks võtke ühendust volitatud teeninduskeskuse või elektrikuga. Juhe peab jääma pistikust madalamale. Ühendage pistik pistikupesasse alles paigalduse lõpus. Veenduge, et pärast paigaldamist oleks võimalik pistikule ligi pääseda. Seadme vooluvõrgust lahti ühendamiseks toitekaablist mitte tõmmata. Eemaldage toitekaabel alati ainult pistikust.

#### KASUTUS

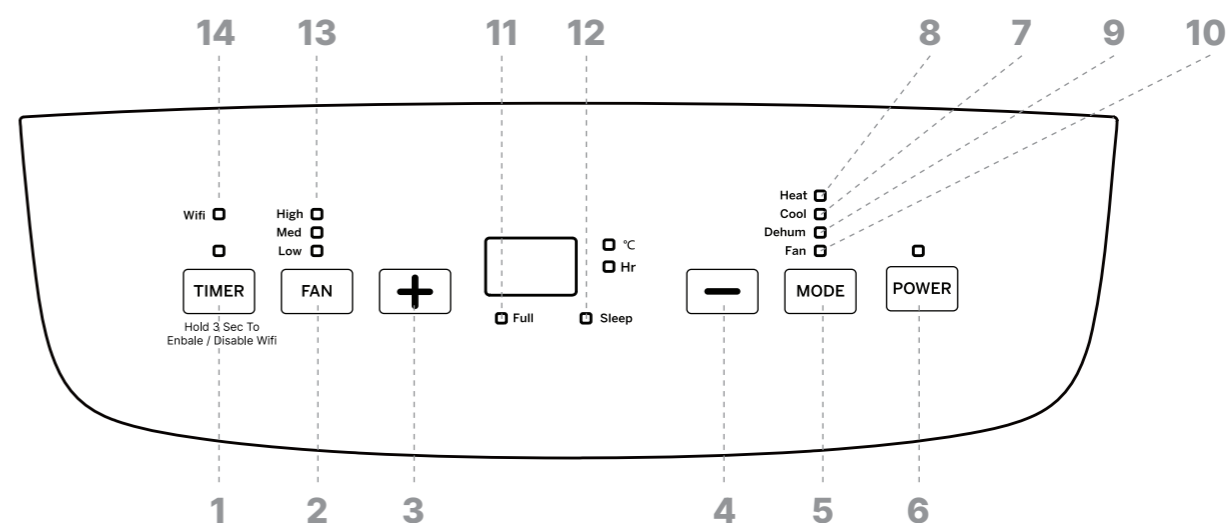
**HOIATUS**  Kehavigastuste, põletuste, elektrilöögi või tulekahju oht.

Ärge muutke selle seadme tehnilisi omadusi. Olge ettevaatlik, et mitte kahjustada külmutusagensi torustikku. See sisaldab propaani (R290), looduslikku gaasi, millele rakenduvad ranged keskkonnanõuded. See gaas on kergesti süttiv. Kui külmutusagensi torustik saab vigastada, kindlustage, et ruumis ei oleks lahtist tuld ega süüteallikaid. Õhutage ruumi. Ärge pange seadme lähedale ega selle peale kergesti süttivaid tooteid ega märgasid esemeid koos kergesti süttivate vedelikuga.

#### KASUTUSELT KÕRVALDAMINE

**HOIATUS**  Kehavigastuste oht.

Ühendage seade vooluvõrgust lahti. Eemaldage elektritoitekaabel ja kõrvaldage see kasutuselt. Antud seadme külmutusagensisüsteem on osoonisõbralik. Et saada teavet seadme nõuetekohase kasutuselt kõrvaldamise kohta, võtke ühendust vastava kohaliku asutusega. Ärge kahjustage jahutusseadme osa, mis paikneb soojusvaheti lähedal.



Täname teid teie ostu ja usalduse eest Wood's'ile. Käesolev kasutusjuhend tutvustab teile AC Cortina XL-i töörežiime.

**Jahutusrežiim:** Jahutab ruumi soovitud temperatuurini. Jahutusmudelite optimaalne töötemperatuur on 17-43°C.

**Kütterežiim:** Soojendab ruumi soovitud temperatuurini. Optimaalne ümbritseva ruumi temperatuur nii jahutus- kui ka soojendusmudelite puhul on 5-43°C. (Märkus! See režiim on saadaval ainult va-helduvvoolumudelil, millel on Duo/kuumutusfunktsioon).

**Kuivatusrežiim:** Vähendab niiskust ruumis.

**Ventilaatori režiim:** Tsirkuleerib õhku ruumis ilma jahutuseta.

#### KASUTUSJUHEND

##### TOOTE OSAD (VT PILTI A JA B)

1. Kaugjuhtimispuhli vastuvõtuaken
2. Juhtpaneel
3. Õhu väljalaskeava
4. Rattad
5. Tagapaneeli ülemise filtri koost
6. Kaabli mähkimise klambrid
7. Tagapaneeli alumise filtri koost
8. Tühjenduskate
9. Kaugjuhtimispuhli sektsioon
10. Õhu sisselaskeava
11. Õhu väljalaskeava
12. Aknakomplektid
13. Heitgaasivooliku ümmargune liitmik
14. Väljalasketoru
15. Adapter heitgaasivoolikule

##### JUHTPANEEL (VT EESPOOL VÕI PILT C)

1. Taimeri nupp
2. Ventilaatori kiiruse nupp
3. Üles nupp
4. Allapoole nuppu
5. Režiimi nupp
6. Toitenupp
7. Jahutusrežiimi indikaator
8. Kütterežiimi indikaator (NB! See sümbol on saadaval ainult vahelduvvoolu mudelil, millel on Duo/kuumutusfunktsioon.)
9. Kuivatusrežiimi
10. Ventilaatori režiimi indikaator
11. Vee täis indikaator
12. Puhkeoleku indikaator
13. Ventilaatori kiiruse indikaator
14. Wi-Fi indikaator. (MÄRKUS! See sümbol on saadaval ainult AC-mudelil, millel on Wi-Fi/Smart Home funktsioon).

##### TÖÖREŽIIMID JA JUHTPANEELI FUNKTSIOONID (VT PILT C)

**Toitenupp (6):** Seadme aktiveerimiseks vajutage seda klahvi; kostub meloodiline heli ja seade lülitub au-tomaatselt jahutusrežiimi, mille eelseadistatud temperatuur on 24° C. Ventilaator töötab keskmisel kiirusel.

Seadme väljalülitamiseks vajutage seda klahvi uuesti ja selle väljalülitamisest annab märku meloodiline heli.

1. Kui seade on sisse lülitatud, kuvatakse LCD-aknas seadistatud temperatuur jahutusrežiimis ja kütterežiimis (NB! Kütte sümbol on saadaval ainult kliimaseadme mudelil, millel on duo-/kuumutusfunktsioon) või ümbritseva õhu temperatuur kuivatusrežiimis, ventilaatorirežiimis. Ventilaator hakkab

tööle ja õhu väljalaskeaken avaneb automaatselt.

2. Kui seade on välja lülitatud, lõpetavad kõik osad töö ja õhu väljalaskeaken sulgub automaatselt.

**MÄRKUS!** Ventilaator töötab veel lühikest aega pärast masina väljalülitamist.

**Režiimi nupp (5):** Vajutage nuppu "Režiim", et läbida kinnitamiseks olemasolevaid režiime.

**Jahutusrežiim (7):** Jahutab ruumi seatud temperatuurini.

**Kütterežiim (8):** Soojendab ruumi seatud temperatuurini. (MÄRKUS! See režiim on saadaval ainult va-helduvvoolumudelil, millel on Duo/küttefunktsioon).

**Kuivatusrežiim (9):** Vähendab niiskust ruumis.

**Ventilaatori režiim (10):** Tsirkuleerib ja puhastab ruumi õhku ilma jahutuseta.

**Nupp alla (4):** Klõpsake, et vähendada seatud temperatuuri või reguleerida seda allapoole.

**Nupp üles (3):** Vajutage nupule, et reguleerida seatud temperatuuri ülespoole.

**Ventilaatori kiiruse nupp (2):** Vajutage ventilaatori kiiruse nuppu, et valida ventilaatori kiiruseks kõrge, keskmine või madal kiirus.

**MÄRKUS!** Ventilaatori kiirust ei saa reguleerida režiimidel Dehumidify ja Sleep.

**Taimer (1):** Vajutage üks kord, et aktiveerida taimeri funktsioon. Seadistage tundide arv (1-24), vajutades + või -. Kui ekraan lõpetab vilkumise, on taimer seadistatud. Deaktiveerimiseks vajutage 2 korda taimeri nuppu.

##### FUNKTSIOONID NUPPUDE KOMBINEERIMISEL (VT PILT C)

Unefunktsioon (12): SLEEP-funktsiooni käivitamine või tühistamine, vajutades

# Kasutusjuhend

samaaegselt nuppu **TIMER (1)** ja nuppu **Up (3)**. Pange tähele, et ventilatori kiirus ei ole Sleep-funktsioonis reguleeritav.

- Kui jahutusrežiimis on aktiveeritud puhkefunktsioon, tõstab see seadistatud temperatuuri 2 tunni möödudes 1° C võrra ja suurendab seda veel 1°2 tunni möödudes, säilitades selle temperatuuri.

- Kui sooendusrežiimis on aktiveeritud puhkefunktsioon (saadaval ainult duo-/kuumutusfunktsiooniga AC-mudelil), alandab see seadistatud temperatuuri 2 tunni möödudes 1° C võrra. Seejärel alandab see seda veel 1° C võrra veel 2 tunni pärast, töötades seejärel sellel temperatuuril. **MÄRKUS!** Funktsioon Sleep ei ole efektiivne ventilatorirežiimil, kuivatusrežiimil.

## Automaatne kiikumise funktsioon:

Aktiveerige või deaktiveerige automaatne kiikumine, vajutades sa-maaegselt nuppu **TIMER (1)** ja nuppu **Ventilaatori kiirus (2)**.

## WIFI FUNKTSIOON (14):

(Kasutatakse ainult WiFi/Smart Home funktsiooniga AC mudeli puhul.)

Wood's



1. Lae alla Wood's Connect rakendus App Store'ist või Google Play'st.

2. Registreeruge ja järgige juhiseid. Nõustuge kõigi sammudega. (Lugege hoolikalt privaatsuspoliitikat ja kui nõustute kokkulepetega, koputage jätkamiseks altpoolt nõustuda.)

3. Avage rakendus Wood's Connect ja vajutage avakuval "lisa seade".

4. Paaritamise režiimi sisenemiseks vajutage ja hoidke 3 sekundit all seadme nuppu **TIMER (1)**, et näha, et Wi-Fi ikoon ekraanil hakkab kiiresti vilkuma.

5. Kui avastate seadme ekraanil, vajutage add. Võite valida mudeli ka käsitsi.

6. Täitke oma Wi-Fi seaded ja parool ning vajutage nuppu next.

7. Ühiku lisamiseks vajutage +.

8. Oodake, kuni seade on lisatud, ja vajutage seejärel nuppu done.

Wi-Fi funktsiooni väljalülitamiseks vajutage seadme nuppu **TIMER (1)** 3 sekundiks.

## KAUGJUHTIMISPULDI TÕÖREŽIIMID (VT PILT D)

**Võimsus (1):** Vajutage seda nuppu seadme

käivitamiseks, kui see on pingestatud, või seadme seiskamiseks, see töötab.

**Režiimi nupp (2):** Vajutage seda nuppu töörežiimi valimiseks.

**Nupp üles (4):** Vajutage nuppu üles, et suurendada toatemperatuuri ja taimerit seadistust.

**Nupp alla (5):** Vajutage allapoole nuppu, et vähendada toatemperatuuri ja taimerit seadistust.

**Ventilaatori nupp (6):** Vajutage seda nuppu ventilatori kiiruse valimiseks: Madal, Keskmine, Kõrge.

**Automaatne kiikumise nupp (7):** Vajutage seda nuppu automaatse kiikumise funktsiooni sisse- või väljalülitamiseks.

**Puhkenupp (8):** Vajutage seda nuppu, et valida või tühistada puhkeolek (toimib ainult jahutamise või kütmise korral).

**Taimer-nupp (3):** Seadke AUTO-ON funktsioon ooteseisundis ja AUTO-OFF, kui seade töötab. Aega saab reguleerida vahemikus 1-24 tundi. Taimerit väljalülitamiseks vajutage taimerit nuppu ja seadke taimer asendisse "0".

Enne kaugjuhtimispuldi kasutamist paigaldage AAA-patareid, järgides järgmisi juhiseid: (VT PILTI D)

1. Libistage ja eemaldage ettevaatlikult kaugjuhtimispuldi tagaküljel asuv patareikate.

2. Asetage kaks uut AAA-aluselist patareid selleks ettenähtud patareipessa, tagades õige polaarsuse.

3. Kinnitage akukate uuesti, tagades, et lukustussambad lukustuvad kindlalt.

**MÄRKUS!**

- Kasutage ainult leelispatareisid. Ärge kasutage laetavaid patareisid.

- Asendage alati mõlemad patareid ; ärge segage vanu ja uusi patareisid.

- Eemaldage patareid kaugjuhtimispuldist, kui kliimaseadet ei kasutata pikema aja jooksul.

## KAUGJUHTIMISPULDI HOIDMINE (VT PILT E)

Sisestage kaugjuhtimispuldi seadme tagaküljel asuvasse sisseehitatud lukku.

**MÄRKUS!** Puldi kaotamise vältimiseks pange see hoiukohta, kui te seda ei kasuta.

**HOIATUS:** Kui aku lekib nahale või riietele, peske kahjustatud piirkonda viivitamatult ja põhjalikult puhta veega. Hoiduge kaugjuhtimispuldi kasutamisest, kui on tõendeid patarei lekke kohta. Patareivedeliku allaneelamise korral pöörduge viivitamatult arsti poole.

Patareides sisalduvad kemikaalid võivad põhjustada selliseid ohte nagu põletused ja muud terviseohud.

## INSTALLATSIOON

## ENNE ESMAKORDSET KASUTAMIST

Laske seadmel enne kasutamist 4 tundi püsti seista.

See kliimaseade on mõeldud mugavaks ümberpaigutamiseks siseruumides. Veenduge, et seade jääb tei-saldamise ajal püsti. Kliimaseade tasasele pinnale. Ärge paigaldage ega kasutage seda kliimaseadet van-nitubades või muudes niisketes keskkondades.

## OLULINE TEAVE ENNE ÕHUVOOLIKU PAIGALDAMIST

Töötamise ajal hoidke voolik võimalikult lühikese ja väheste kurvidega, et vähendada rõhulangust ja võimsuskadu.

Väljalasketoru peab jääma siledamaks, et vältida ülekuumenemist ja kliimaseadme võimalikku kahjustamist. Voolikute pikkus on 280 mm-1500 mm. Vältige vooliku pikendamist või asendamist teise voolikuga, mis võib mõjutada tööd.

## HEITGAASIVOOLIKU KOOSTU JA SELLE ADAPTERI PAIGALDAMINE. (VT PILT F)

1. Eemaldage kilekott, võttes pakendist välja heitgaasivoolik, selle pistik ja adapter.

2. Pikendage heitgaasivooliku ühte otsa ja kinnitage ümmargune pistik, seda vähemalt kolm korda vastupäeva.

3. Pikendage heitgaasivooliku teist otsa ja kinnitage adapter, keerates seda vähemalt kolm vastupäeva.

4. Asetage heitgaasivoolikukomplekti esios tagapaneelil asuva heitgaasi väljalaskeava ettenähtud . Kinni-tusdetailid lukustavad heitgaasivooliku koostu kindlalt oma kohale.

5. Paigaldage õhu väljalaskevoolik seadme külge.

**MÄRKUS!** Veenduge, et adapteri kaldus külg on õiges suunas, et aknatihendusplaat oleks hõlpsasti paigal-datav.

Hoidke heitgaasivooliku ühendus kindlalt ja hästi paigutatud.

## AKNATIHENDI PLAADI PAIGALDAMINE (VT JOONIS G)

1. Paigaldage voolikukomplekti ristkülikukujuline ots vastavasse ristkülikukujulisse avasse aknati-hendusplaadi komplektis, kinnitage see kruviga.

**MÄRKUS!**

- Libistage adapterid allapoole, tagades, et need on kindlalt paigaldatud.

- Veenduge, et paneeli kaldpaneeli suund langeb kokku tihendusplaadi suunaga.

- Veenduge, et voolik oleks sirge, et tagada piisav ventilatsioon.

2. Avage aken pooleks ja sisestage tihendusplaat aknasse, asetades selle kas vertikaalselt või horison-taalselt.

3. Pikendage tihendusplaadi osad ja

kohandage need akna pikkusele vastavaks.

Veenduge, et mõlemad otsad kohtuvad aknaservadega, ja kinnitage see kruvidega.

**MÄRKUS!** Veenduge, et aknatihendusplaadi mõlemad otsad kohtuvad aknaservadega tühisalt, et tagada nõuetekohane tihendus.

Veenduge, et kruvid on õiges asendis kindlalt kinni keeratud.

4. Liigutage seadet nii, et voolik on paigaldatud akna ette ja hoidke seade vähemalt 50 cm kaugusel seintest või muudest objektidest

## SEADME SISSELÜLITAMINE

Seadme toitmiseks ühendage see vooluvõrk.

Seade on nüüd kasutusvalmis!

## HOOLDUS

**MÄRKUS!** Enne hooldust lülitage seade välja ja tõmmake pistik välja.

## DRENAAJUJUHEND (VT PILT H)

Suurem osa veest juhitakse koos kuuma õhuga loomulikult teel väljalaskevooliku kaudu välja.

Kui teil on vaja paaki tühjendada, teavitab seade teid sellest. (Viide pildile C, täisnäidik)

Veepaagi tühjendamine: Keerake äravoolukate lahti ja tõmmake veepistik välja, et vesi saaks voolata salve. **MÄRKUS:**

Olge ettevaatlik, et vältida lekkeid, kui seadet tuleb liigutada. Kallutage seadet tühjendamise ajal veidi tahapoole. Kui salv ei suuda kogu seadme vett mahutada, blokeerige viivitamatult äravooluava, et vältida vee lekkimist ja põranda või vaiba märjaks saamist. Veenduge, et veekork ja äravoolukate on tihedalt paigaldatud, et vältida uue kondenseerunud vee põranda või vaiba märjaks saamist seadme taaskäivita-misel.

Veevooliku ühendamine pidevaks äravooluks: Keerake äravoolukate lahti ja eemaldage veepistik. Ühend-age 12 mm siseläbimõõduga veevoolik seadme torusse. veevooliku teine ots äravoolu.

Veenduge, et vesi saaks valguda allapoole.

**MÄRKUS:** Kui salves ei ole vett, tuleb paigaldada äravooluvoolik.

Kui seade on jahutusrežiimil, on soovitatav mitte kasutada pidevat äravoolu, et tagada piisav vee ringlus-sevõtt seadmes, et suurendada süsteemi jahutusmõju. Asetage äravooluvoolik raskesti ligipääsetavasse kohta, tagades, et see ei asu äravooluaukust kõrgemal, ning hoidke äravooluvoolik sirge ja kõverusteta. Veenduge, et äravoolukate ja selle sulgur on korralikult kinnitatud, kui kasutatakse pidevat äravoolu.

## MITMEKORDNE KAITSEFUNKTSIOON

Automaatne sulatamine: Seade sulatab vajaduse korral automaatselt. Sulatamisrežiimis kuvatakse ekraanil D7 ja ükski nupp peale nupu **POWER** ei ole aktiivne.

Kompressori kaitse: Seadmel on kompressori kaitsefunktsioon, mis põhjustab 3-minutilise käivitamis- viivituse pärast seadme taaskäivitamist.

Vee täisoleku häire ja väljalülitamise kaitsefunktsioon: Kui veekogus ületab seadme korpuses määratud häiretaseme, käivitub automaatne hoiatussignaal, millega vee täisoleku ikooni valgustus vedel-kristallekraanil. Sellisel juhul kondenseerunud vesi tühjendada, jaotises "Tühjendusjuhised" esitatud juhiseid. Kui seadet ei lülitata käsitsi välja, taastub see automaatselt algsesse tööseisundisse, kui kondenseerunud vesi on täielikult tühjendatud. Alternatiivselt ühendage seadme taaskäivitamiseks uuesti vooluvõrk.

## PINNA PUHASTAMINE

- Puhastage seadme pinda märja pehme lapiga ja ärge kasutage kahjustuste vältimiseks keemilisi lahuse-teid, nagu alkohol ja bensiin.

- Puhastage määratud õhu väljalaskeava või lamellid niiske pehme lapiga ja kerge pesuvahendiga.

- Keelatud on kasutada seadme puhastamiseks mis tahes keemilisi lahuseid või panna selliseid asju seadme lähedusse pikemaks ajaks.

- Seadme puhastamiseks on keelatud kasutada lahjendajaid, alkoholi-glaseerijaid või muid sarnaseid la-husteid.

## PESTAVA FILTRI PUHASTAMINE (VT PILT I)

On oluline puhastada filtrit iga kahe nädala tagant, et tolmu kogunemine ei mõjutaks seadme jõudlust. Uputage ja peske filtrit ettevaatlikult sooja vees (umbes 40° C), mis on segatud neutraalse pu-hastusvahendiga. Pärast puhastamist paigaldage see tagasi seadmesse.

Puhastage alumised filtrid: Tõmmake alumised filtrid välja, seejärel eemaldage tagumine filter ja puhastege see.

**MÄRKUS!** Tõmmake filtrit ettevaatlikult välja, eelistades tagapaneeli filtri eemaldamist enne külgpaneeli filtri eemaldamist, et vältida väändumist või kahjustusi. Olge ettevaatlik, et mitte muljuda võrku ja väldi-ge võrku teravate esemetega või harjadega lõõmist.

**MÄRKUS!** Enne filtri paigaldamist tagapaneelile veenduge, et filter on paigaldatud küljepaneelile.

Paigaldage filter eemaldamisele vastupidises suunas.

## HOOAJA LÕPU LADUSTAMINE

1. Keerake äravoolukate lahti ja eemaldage veepistik, et kondenseeritud vesi täielikult

ära lasta.

**MÄRKUS:** seadme kaldenurk peab olemas 30 kraadi.

2. Kasutage seadet poole jooksul ventilatori režiimis, et sisemus kuivataks põhjalikult ja väldiks halli-tuse teket.

3. Lülitage seade välja, tõmmake see välja, keerake toitejuhe ümber juhtmete kerimise samba.

4. Eemaldage soojusväljalaske voolikukomplekt, puhastage see ja ladustage see nõuetekohaselt.

**MÄRKUS:** Hoidke väljalasketorustikku eemaldamisel mõlema käega kinni.

5. Lükake pöidlaga väljalaskeava kinnitused kõrvale ja tõmmake seejärel heitgaasivooliku koost välja.

6. Pakendage konditsioneer kindlalt pehmesse kilekotti, asetage see kuiva ja tolmukindlasse kohta ning hoidke seda lastele kättesaamatus kohas.

7. Võtke patareid kaugjuhtimispuldist välja ja hoidke neid nõuetekohaselt.

**MÄRKUS:** Veenduge, et seadet hoitakse kuivas keskkonnas. Hoidke kõiki seadme liseseadmeid ühiselt, et vältida kahjustusi või riknemist.

## GARANTID

Kaks aastat garantiid tootmisvigade vastu. Pange tähele, et garantii kehtib ainult ostukviitungi esitamisel. **SÄILITAGE OMA KVIITUNGID!** Kviitungid on nõutavad mis tahes garantiinõude esitamiseks selle aja jooksul.

## SAADA LAIENDATUD GARANTII

Saate 3-aastase garantii, registreerides end aadressil [warranty-woods.com](http://warranty-woods.com).

**SÄILITAGE OMA KVIITUNGID!** Kõik kviitungid on nõutavad mis tahes garantiinõude esitamiseks selle perioodi jooksul.



## TÕRKEOTSING

Palun kontrollige seadet ja järgige alljärgnevat soovitusi, enne kui taotle professionaalset hooldust. Ärge kunagi püüdke seadet siiski ise lahti võtta või parandada, sest see võib teile ja teie varale kahju tekitada. Kui tekivad probleemid, mida tabelis ei ole loetletud, või kui soovitatud lahendused ei toimi, võtke ühendust professionaalse teenindusorganisatsiooniga.

PROBLEEMID	PÕHJUS	ABINÕU
Seade ei käivitu.	Toiteallika rike.	Ühendage seade vooluvõrku ja lülitage see sisse.
	Veepaak on täis ja vastav ikoon on valgustatud.	Tühjendage seadmesse ladustatud vesi.
	Ruumi temperatuur on jahutusrežiimil madalam kui seatud temperatuur või kütterežiimil kõrgem temperatuur.	Veenduge, et seade töötab soovitatud temperatuurivahemikus. Reguleerige seadistatud temperatuur.
Ebapiisav jahutus.	Seal on otsene päikesevalgus.	Sulgege aknakardinad.
	Uksed ja aknad on avatud, ruumis on palju rahvast või on muid soojusallikad.	Sulgege uksed ja aknad, eemaldage muud soojusallikad ja kaaluge täiendavate kliimaseadmete lisamist.
	Määratud filter.	Puhastage või vahetage filtri võrk välja.
Kõrge müratase.	Õhu sisselaskeava või õhu väljalaskeava ummistunud.	Eemaldage kõik takistused.
	Seade on paigutatud ebatasasele pinnale.	Asetage seade tasasele ja kindlale kohale (võib vähendada müra).
Kompressor ei tööta.	Ülekuumenemiskaitse käivitamine.	Oodake, kuni temperatuur langeb, seade käivitub automaatselt uuesti.
Kaugjuhtimispult ei tööta.	Seadme ja kaugjuhtimispuldi vaheline kaugus on liiga pikk.	Viige kaugjuhtimispult kliimaseadme lähedale ja veenduge, et seadme signaalireseptoril on õhku.
	Kaugjuhtimispult ei ole suunatud seadme signaalireseptorile.	
	Patareid on tühjad.	Vahetage patareid välja
Kuvatakse kood "D7 või E4".	Külmumisvastane kaitse.	Funktsioonid taastuvad automaatselt, kui jäätmiskaitse on lõppenud.
Kuvatakse kood "FL".	Šassii veepaak on täis.	Tühjendage kondensaati ja käivitage seade uuesti.

## TEHNILINE KIRJELDUS

MUDEL NO.	CORTINA XL 14K WIFI	CORTINA XL 14K DUO WIFI	CORTINA XL 18K WIFI	CORTINA XL 18K DUO WIFI
Jahutusvõimsus	3900W	3900W	5000W	5000W
Küttevõimsus	N/A	3500W	N/A	4000W
Energiatarve jahutusrežiimis	1490W	1490W	1750W	1750W
Energiatarbimine kütmisrežiimil	N/A	1350W	N/A	1500W
Õhuvool	400m <sup>3</sup> /h	400m <sup>3</sup> /h	480m <sup>3</sup> /h	480m <sup>3</sup> /h
Energiaklass	A	A	A	A
Kuivatamine	38L/D	38L/D	70L/D	70L/D
Temperatuuri seadistus	17-30°C	17-30°C	17-30°C	17-30°C
Töötemperatuur	17-43°C	5-43°C	17-43°C	5-43°C
EER jahutusrežiimis	2,6	2,6	2,6	2,6
Voolikute pikkused	1.5M	1.5M	1.5M	1.5M
Külmutusgaas	R290/285g	R290/285g	R290/295g	R290/295g
Helitase jahutusrežiimil (LWA) (dB(A))	60-64 dB	60-64 dB	60-64 dB	60-64 dB
Helitase jahutusrežiimil (LPA) (dB(A))	48-53 dB	48-53 dB	48-53 dB	48-53 dB
Netokaal	31.5kg	33kg	27.3kg	28.3kg
Seadme mõõtmed (kõrgus × laius × paksus)	770×440×410mm	770×440×410mm	770×440×410mm	770×440×410mm

**Võib toimuda tehnilisi muudatusi ja täiustusi. Kõik väärtused on ligikaudsed ja võivad erineda sõltuvalt välistest asjaoludest, nagu temperatuur, ventilatsioon ja niiskus.**

**Märkus: keskkonnakaitse ja kõrvaldamine**

- Tarbijatel on seaduslik kohustus nõuetekohaselt kõrvaldada elektroonikaseadmed, lambid ja patareid nende kasutusea lõppedes.
- Neid saab tasuta tagastada avalikesse kogumispunktidesse või edasimüüjatele.
- Isikuandmete kustutamise eest vastutab tarbija.
- Valgustikud ja patareid, mida saab ohutult eemaldada ja mis ei ole püsivalt paigaldatud, tuleb eelnevalt eemaldada eraldi kõrvaldamiseks.
- Riiklikud õigusaktid reguleerivad seadusekohase kõrvaldamise üksikasju.
- Läbikriipsutatud prügikastiga märgistus tähistab elektroonikaseadmeid ja akusid, mida ei tohi nende kasutusea lõppedes kõrvaldada koos olmejäätmetega.
- Prügikasti all olevad sümbolid võivad viidata sisalduvatele koostisosadele (plii = Pb, elavhõbe = Hg, kaadmium = Cd).
- Selline eraldamine on vajalik, sest akud ja elektroonikaseadmed on mõlemad väärtuslikud ressursid ja sisaldavad inimestele ja keskkonnale kahjulikke aineid.
- Sobivate patareide ja elektroonikaseadmete ringlussevõtmise, kogumise ja taaskasutamise kaudu aitate säilitada ja kaitsta keskkonda ja inimeste tervist.

**ΕΥΦΛΕΚΤΟ ΥΛΙΚΟ.**

Η συσκευή περιέχει R290/  
Προπάνιο, ένα εύφλεκτο ψυκτικό μέσο.

Ανατρέξτε στο εγχειρίδιο του χειριστή.

Διαβάστε το τεχνικό εγχειρίδιο.

Διαβάστε το εγχειρίδιο του χειριστή.

**ΠΛΗΡΟΦΟΡΙΕΣ ΑΣΦΑΛΕΙΑΣ**

Πριν από την εγκατάσταση και τη χρήση της συσκευής, διαβάστε προσεκτικά τις παρεχόμενες οδηγίες. Ο κατασκευαστής δεν ευθύνεται σε περίπτωση πρόκλησης τραυματισμού και ζημιών λόγω εσφαλμένης εγκατάστασης και χρήσης. Να φυλάσσετε πάντα τις οδηγίες μαζί με τη συσκευή για μελλοντική αναφορά.

**ΑΣΦΑΛΕΙΑ ΠΑΙΔΙΩΝ ΚΑΙ ΕΥΑΛΩΤΩΝ ΑΤΟΜΩΝ**

**ΠΡΟΕΙΔΟΠΟΙΗΣΗ**  
Κίνδυνος τραυματισμού ή μόνιμης αναπηρίας.

Αυτή η συσκευή μπορεί να χρησιμοποιηθεί από παιδιά ηλικίας οκτώ ετών και άνω και άτομα με μειωμένη σωματική, αισθητηριακή ή διανοητική ικανότητα ή με έλλειψη εμπειρίας και γνώσης, αν βρίσκονται υπό την επίβλεψη τρίτων, αν έχουν λάβει οδηγίες σχετικά με τη χρήση της συσκευής με ασφάλεια και έχουν κατανοήσει τους κινδύνους που σχετίζονται με τη χρήση της. Μην αφήνετε τα παιδιά να παίζουν με τη συσκευή.

Τα παιδιά ηλικίας κάτω των τριών ετών θα πρέπει να παραμένουν σε απόσταση, εκτός εάν εποπτεύονται συνεχώς.

Κρατήστε όλες τις συσκευασίες μακριά από τα παιδιά. Ο καθαρισμός και η συντήρηση δεν θα πρέπει να γίνονται από παιδιά χωρίς επίβλεψη.

**ΓΕΝΙΚΗ ΑΣΦΑΛΕΙΑ**

Αυτή η συσκευή προορίζεται για χρήση σε νοικοκυριά και παρόμοια περιβάλλοντα, όπως καταστήματα, γραφεία και άλλα

εργασιακά περιβάλλοντα. Η πινακίδα τύπου βρίσκεται στο πλάι ή στο πίσω μέρος της συσκευής. Διατηρείτε τα ανοίγματα εξαερισμού ελεύθερα από εμπόδια.

Εκτός από αυτά που συνιστώνται από τον κατασκευαστή, μη χρησιμοποιείτε μηχανικές συσκευές ή άλλα μέσα για να επιταχύνετε τη διαδικασία απόψυξης. Η συσκευή δεν πρέπει να αποθηκεύεται σε χώρο όπου λειτουργούν συνεχώς πηγές ανάφλεξης (ανοικτές φλόγες, συσκευή αερίου που βρίσκεται σε λειτουργία, ηλεκτρικός θερμαντήρας λειτουργίας κ.λπ.). Μην τρυπάτε και μην καίτε τη συσκευή. Πρέπει να γνωρίζετε ότι τα ψυκτικά μέσα μπορεί να μην γίνουν αντιληπτά μέσω της οσμής. Μην χρησιμοποιείτε ψεκαστήρες νερού και ατμού για τον καθαρισμό της συσκευής. Καθαρίζετε τη συσκευή με ένα υγρό μαλακό πανί. Χρησιμοποιείτε μόνο ουδέτερα απορρυπαντικά. Μη χρησιμοποιείτε διαβρωτικά προϊόντα, καθαριστικά σφουγγαράκια λειανσης, διαλύτες ή μεταλλικά αντικείμενα. Αν το καλώδιο τροφοδοσίας έχει φθαρεί, πρέπει να αντικατασταθεί από τον κατασκευαστή, το εξουσιοδοτημένο κέντρο σέρβις ή άτομο με κατάλληλη εξειδίκευση, προκειμένου να αποφευχθεί οποιοσδήποτε κίνδυνος.

**ΟΔΗΓΙΕΣ ΑΣΦΑΛΕΙΑΣ**

**ΠΡΟΕΙΔΟΠΟΙΗΣΗ**  
Η εγκατάσταση αυτής της συσκευής επιτρέπεται μόνο από ειδικευμένο άτομο.

Αφαιρέστε όλο το υλικό της συσκευασίας. Μην εγκαθιστάτε και μην χρησιμοποιείτε τυχόν κατεστραμμένες συσκευές. Η συσκευή πρέπει να εγκαθίσταται, να λειτουργεί και να φυλάσσεται σε χώρους με εμβαδόν δαπέδου μεγαλύτερο από 14 m<sup>2</sup>. Τηρήστε αυστηρά τις οδηγίες εγκατάστασης που παρέχονται με τη συσκευή. Να είστε πάντα προσεκτικοί όταν μετακινείτε τη συσκευή επειδή είναι βαριά. Πάντα να φοράτε γάντια ασφαλείας.

Βεβαιωθείτε ότι ο αέρας μπορεί να κυκλοφορεί γύρω από τη συσκευή. Περιμένετε τουλάχιστον 4 ώρες πριν συνδέσετε τη συσκευή στην πρίζα. Αυτό πρέπει να τηρηθεί ώστε να επιστρέψει το λάδι στον συμπιεστή. Μην εγκαθιστάτε τη συσκευή κοντά σε θερμαντικά σώματα ή άλλες πηγές θερμότητας. Μην εγκαθιστάτε τη συσκευή σε σημείο άμεσα εκτεθειμένο στο ηλιακό φως.

**ΗΛΕΚΤΡΙΚΗ ΣΥΝΔΕΣΗ**

**ΠΡΟΕΙΔΟΠΟΙΗΣΗ**  
Κίνδυνος πυρκαγιάς και ηλεκτροπληξία.

Η συσκευή πρέπει να συνδέεται σε γειωμένη πρίζα. Βεβαιωθείτε ότι οι ηλεκτρολογικές πληροφορίες στην πινακίδα των τεχνικών χαρακτηριστικών συμφωνούν με την τροφοδοσία ρεύματος. Αν όχι, επικοινωνήστε με ηλεκτρολόγο. Να χρησιμοποιείτε πάντα μια σωστά εγκατεστημένη αντικραδασική πρίζα.

Μην χρησιμοποιείτε πολύμπριζα και καλώδια επέκτασης. Φροντίστε να μην προκαλέσετε βλάβη στα ηλεκτρικά εξαρτήματα (π.χ. βύσμα, καλώδιο). Επικοινωνήστε με το εξουσιοδοτημένο κέντρο σέρβις ή έναν ηλεκτρολόγο για να αλλάξετε τα ηλεκτρικά εξαρτήματα. Το καλώδιο πρέπει να παραμένει κάτω από το επίπεδο του βύσματος. Συνδέστε το βύσμα τροφοδοσίας στην πρίζα τροφοδοσίας μόνο στο τέλος της διαδικασίας εγκατάστασης. Βεβαιωθείτε ότι το βύσμα είναι προσβάσιμο μετά την εγκατάσταση. Μην τραβάτε το καλώδιο τροφοδοσίας για να αποσυνδέσετε τη συσκευή. Να αποσυνδέετε πάντα το καλώδιο τροφοδοσίας μόνο από το βύσμα.

**ΧΡΗΣΗ**

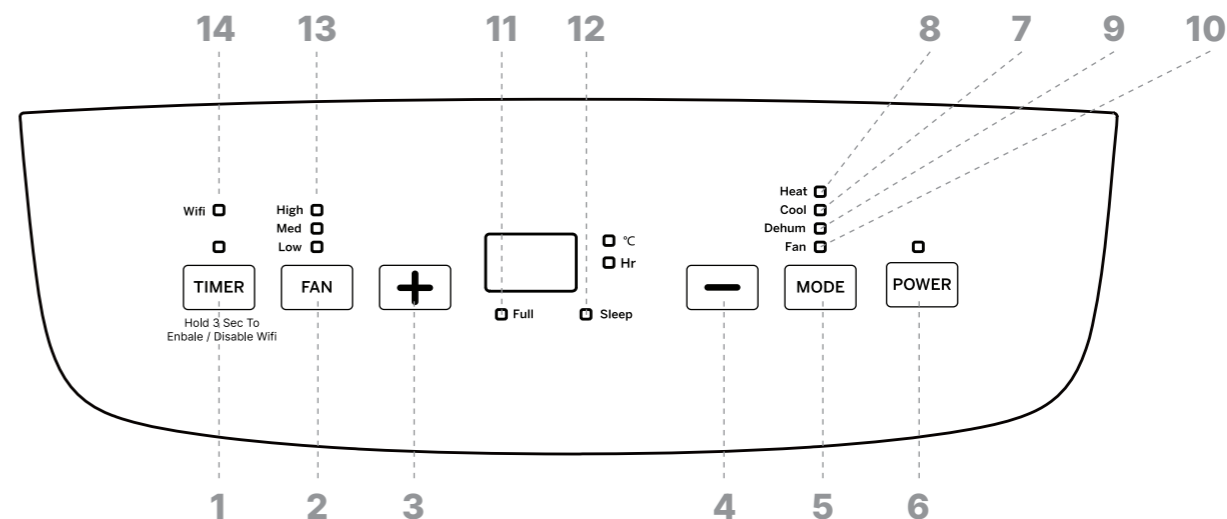
**ΠΡΟΕΙΔΟΠΟΙΗΣΗ**  
Κίνδυνος τραυματισμού, εγκαυμάτων, ηλεκτροπληξίας ή πυρκαγιάς.

Μην αλλάζετε την προδιαγραφή αυτής της συσκευής. Προσέξτε να μην προκαλέσετε βλάβη στο κύκλωμα του ψυκτικού μέσου. Περιέχει προπάνιο (R290), ένα φυσικό αέριο με υψηλό επίπεδο περιβαλλοντικής συμβατότητας. Το αέριο αυτό είναι εύφλεκτο. Εάν προκληθεί ζημιά στο κύκλωμα του ψυκτικού μέσου, βεβαιωθείτε ότι δεν υπάρχουν φλόγες και άλλες πηγές ανάφλεξης στο χώρο. Αερίστε τον χώρο. Μην τοποθετείτε εύφλεκτα προϊόντα ή υγρά αντικείμενα μαζί με εύφλεκτα προϊόντα, κοντά ή πάνω στη συσκευή.

**ΑΠΟΡΡΙΨΗ**

**ΠΡΟΕΙΔΟΠΟΙΗΣΗ**  
Κίνδυνος τραυματισμού.

Αποσυνδέστε τη συσκευή από την τροφοδοσία ρεύματος. Κόψτε το καλώδιο ρεύματος και απορρίψτε το. Το κύκλωμα του ψυκτικού μέσου αυτής της συσκευής είναι φιλικό προς το όζον. Επικοινωνήστε με τη δημοτική αρχή για πληροφορίες σχετικά με τη σωστή απόρριψη της συσκευής. Μην προκαλείτε βλάβη στο τμήμα της ψυκτικής μονάδας που βρίσκεται κοντά στον εναλλάκτη θερμότητας.



Σας ευχαριστούμε για την αγορά σας και την εμπιστοσύνη σας στη Wood's. Αυτό το εγχειρίδιο περιγράφει τις λειτουργίες του AC Cortina XL.

**Λειτουργία ψύξης:** ψύχει το δωμάτιο στην επιθυμητή θερμοκρασία. Η βέλτιστη θερμοκρασία περιβάλλοντος λειτουργίας για τα μοντέλα ψύξης είναι 17-43°C.

**Λειτουργία θέρμανσης:** Θερμαίνει το δωμάτιο στην επιθυμητή θερμοκρασία. Η βέλτιστη θερμοκρασία περιβάλλοντος λειτουργίας τόσο για τα μοντέλα ψύξης όσο και για τα μοντέλα θέρμανσης είναι 5-43°C. (Προσοχή! Αυτή η λειτουργία είναι διαθέσιμη μόνο στο μοντέλο AC με λειτουργία Duo/ θέρμανσης).

**Λειτουργία αφύγρανσης:** Μειώνει την υγρασία στο δωμάτιο.

**Λειτουργία ανεμιστήρα:** Κυκλοφορεί τον αέρα στο δωμάτιο χωρίς ψύξη.

**ΟΔΗΓΙΕΣ ΧΡΗΣΗΣ****ΜΕΡΗ ΤΟΥ ΠΡΟΪΟΝΤΟΣ (ΒΛ. ΕΙΚΟΝΑ Α ΚΑΙ Β)**

1. Παράθυρο λήψης σήματος τηλεχειριστηρίου
2. Πίνακας ελέγχου
3. Έξοδος αέρα
4. Ροδάκια για εύκολη μετακίνηση.
5. Πάνω τμήμα φίλτρου πίσω πάνελ
6. Βάσεις περιτύλιξης καλωδίου
7. Κάτω τμήμα φίλτρου πίσω πάνελ
8. Κάλυμμα αποστράγγισης
9. Θήκη τηλεχειριστηρίου
10. Είσοδος αέρα.
11. Έξοδος αέρα
12. Σετ εξαρτημάτων παραθύρου (Window Kit)
13. Στρογγυλή σύνδεση του σωλήνα εξαγωγής
14. Εύκαμπτος σωλήνας εξαγωγής
15. Αντάπτορας για τον εύκαμπο σωλήνα εξαγωγής.

**ΠΙΝΑΚΑΣ ΕΛΕΓΧΟΥ (ΒΛ. ΠΑΡΑΠΑΝΩ Η ΕΙΚΟΝΑ Γ)**

1. Κουμπί χρονοδιακόπτη

2. Κουμπί ταχύτητας ανεμιστήρα

3. Κουμπί αύξησης ταχύτητας

4. Κουμπί μείωσης ταχύτητας

5. Κουμπί λειτουργίας

6. Κουμπί ενεργοποίησης/απενεργοποίησης μηχανήματος.

7. Ένδειξη λειτουργίας ψύξης

8. Ένδειξη λειτουργίας θέρμανσης (ΠΡΟΣΟΧΗ! Αυτό το σύμβολο είναι διαθέσιμο μόνο στο μοντέλο AC με λειτουργία Duo/θέρμανσης).

9. Ένδειξη λειτουργίας αφύγρανσης

10. Ένδειξη λειτουργίας ανεμιστήρα

11. Ένδειξη γεμάτου δοχείου νερού

12. Ένδειξη λειτουργίας ύπνου

13. Ένδειξη ταχύτητας ανεμιστήρα

14. Ένδειξη Wi-Fi. (ΠΡΟΣΟΧΗ! Αυτό το σύμβολο είναι διαθέσιμο μόνο στο μοντέλο AC με λειτουργία Wi-Fi/Smart Home).

**ΤΡΟΠΟΙ ΛΕΙΤΟΥΡΓΙΑΣ ΚΑΙ ΛΕΙΤΟΥΡΓΙΕΣ ΤΟΥ ΠΙΝΑΚΑ ΕΛΕΓΧΟΥ (ΒΛ. ΕΙΚΟΝΑ Γ)**

**Κουμπί λειτουργίας (6):** Πατήστε αυτό το κουμπί για να ενεργοποιήσετε την συσκευή. Θα ακουστεί ένας σύντομος μελωδικός ήχος και η συσκευή θα ξεκινήσει αυτόματα σε λειτουργία Ψύξης με προκαθορισμένη θερμοκρασία 24°C. Ο ανεμιστήρας θα λειτουργήσει σε μεσαία ταχύτητα.

Για να απενεργοποιήσετε τη μονάδα, πατήστε ξανά αυτό το πλήκτρο και ένας μελωδικός ήχος θα σηματοδοτήσει τον τερματισμό της λειτουργίας της.

1. Όταν η συσκευή είναι ενεργή, η οθόνη LCD θα δείχνει τη ρυθμισμένη θερμοκρασία στη λειτουργία Ψύξης και Θέρμανσης (ΠΡΟΣΟΧΗ! το σύμβολο Θέρμανσης εμφανίζεται μόνο στο AC μοντέλο με Duo/Θέρμανση) ή τη θερμοκρασία δωματίου στη λειτουργία αφύγρανσης και στη λειτουργία ανεμιστήρα. Ο ανεμιστήρας θα ξεκινήσει να λειτουργεί και η περσίδα θα ανοίξει αυτόματα.

2. Όταν η μονάδα είναι απενεργοποιημένη, όλα τα εξαρτήματα σταματούν και οι περσίδες κλείνουν αυτόματα.

ΣΗΜΕΙΩΣΗ! Ο ανεμιστήρας θα συνεχίσει να λειτουργεί για μικρό χρονικό διάστημα μετά την απενεργοποίηση του μηχανήματος.

**Κουμπί λειτουργίας (5):** Πατήστε το κουμπί "Mode" (Λειτουργία) για να κάνετε κύκλο στις διαθέσιμες λειτουργίες για επιβεβαίωση.

**Λειτουργία ψύξης (7):** Ψύξη του δωματίου στη ρυθμισμένη θερμοκρασία.

**Λειτουργία θέρμανσης (8):** Θερμαίνει το δωμάτιο στην καθορισμένη θερμοκρασία. (ΣΗΜΕΙΩΣΗ! Αυτή η λειτουργία είναι διαθέσιμη μόνο στο μοντέλο AC με λειτουργία Duo/ θέρμανσης).

**Λειτουργία αφύγρανσης (9):** Μειώνει την υγρασία στο δωμάτιο.

**Λειτουργία ανεμιστήρα (10):** Κυκλοφορεί και καθαρίζει τον αέρα στο δωμάτιο χωρίς ψύξη.

**Κάτω κουμπί (4):** Κάντε κλικ για να μειώσετε τη ρυθμισμένη θερμοκρασία ή να ρυθμίσετε την προς τα κάτω.

**Πάνω κουμπί (3):** Κάντε κλικ στο κουμπί για να ρυθμίσετε τη ρυθμισμένη θερμοκρασία προς τα πάνω.

**Κουμπί ταχύτητας ανεμιστήρα (2):** Πατήστε το κουμπί ταχύτητας ανεμιστήρα για να επιλέξετε την ταχύτητα του ανεμιστήρα σε υψηλή, μεσαία ή χαμηλή ταχύτητα.

ΣΗΜΕΙΩΣΗ! Η ταχύτητα του ανεμιστήρα δεν μπορεί να ρυθμιστεί στις λειτουργίες αφύγρανσης και ύπνου.

**Χρονοδιακόπτης (1):** Πατήστε μία φορά για να ενεργοποιήσετε τη λειτουργία χρονοδιακόπτη. Ρυθμίστε τον αριθμό των ωρών (1-24) πατώντας + ή -. Όταν η οθόνη σταματήσει να αναβοσβήνει, ο χρονοδιακόπτης έχει ρυθμιστεί. Για να απενεργοποιήσετε τη λειτουργία χρονοδιακόπτη, πιέστε το κουμπί 2 φορές.

**ΣΥΝΔΥΑΣΜΕΝΕΣ ΛΕΙΤΟΥΡΓΙΕΣ (ΒΛ. ΕΙΚΟΝΑ Γ)**

**Λειτουργία ύπνου (12):** Ενεργοποιήστε ή ακυρώστε τη λειτουργία SLEEP πατώντας ταυτόχρονα το κουμπί TIMER (1) και το κουμπί Up (3). Λάβετε υπόψη ότι η ταχύτητα του ανεμιστήρα δεν είναι ρυθμιζόμενη στη λειτουργία Sleep (Υπνος).

- Εάν η λειτουργία Sleep ενεργοποιηθεί στη λειτουργία ψύξης, αυξάνει τη ρυθμισμένη θερμοκρασία κατά 1° C μετά από 2 ώρες και στη συνέχεια την αυξάνει κατά επιπλέον 1° C μετά από άλλες 2 ώρες, διατηρώντας τη λειτουργία σε αυτή τη θερμοκρασία.

- Εάν η λειτουργία Sleep ενεργοποιηθεί στη λειτουργία θέρμανσης (διαθέσιμη μόνο στο

μοντέλο AC με λειτουργία Duo/θέρμανσης), μειώνει τη ρυθμισμένη θερμοκρασία κατά 1° C μετά από 2 ώρες. Στη συνέχεια, τη μειώνει κατά επιπλέον 1° C μετά από άλλες 2 ώρες, λειτουργώντας στη συνέχεια σε αυτή τη θερμοκρασία. ΣΗΜΕΙΩΣΗ! Η λειτουργία ύπνου θα είναι αναποτελεσματική σε λειτουργία ανεμιστήρα ή λειτουργία αφύγρανσης.

Λειτουργία Auto Swing: Ενεργοποιήστε ή απενεργοποιήστε τη λειτουργία Auto-Swing πατώντας ταυτόχρονα το κουμπί TIMER (1) και το κουμπί ταχύτητας ανεμιστήρα (2).

#### ΛΕΙΤΟΥΡΓΙΑ WIFI (14):

(Ισχύει μόνο για το μοντέλο AC με λειτουργία WiFi/Smart Home.)

Wood's



1. Κατεβάστε την εφαρμογή Wood's Connect από το App Store ή το Google Play.

2. Εγγραφείτε και ακολουθήστε τις οδηγίες. Αποδεχτείτε όλα τα βήματα. (Διαβάστε προσεκτικά την Πολιτική απορρήτου και, εάν εγκρίνετε τις συμφωνίες, πατήστε το κουμπί agree στο κάτω μέρος για να συνεχίσετε).

3. Ανοίξτε την εφαρμογή Wood's Connect και στην αρχική οθόνη, πατήστε "add device".

4. Για να εισέλθετε στη λειτουργία σύζευξης πατήστε και κρατήστε πατημένο το κουμπί TIMER (1) στη μονάδα για 3 δευτερόλεπτα, ώστε να δείτε ότι το εικονίδιο Wi-Fi στην οθόνη θα αναβοσβήνει γρήγορα.

5. Όταν ανακαλύψετε τη συσκευή στην , πατήστε add. Μπορείτε επίσης να επιλέξετε το μοντέλο χειροκίνητα.

6. Συμπληρώστε τις ρυθμίσεις Wi-Fi και τον κωδικό πρόσβασής σας και πατήστε next.

7. Πατήστε + για να προσθέσετε τη μονάδα.

8. Περιμένετε μέχρι να προστεθεί η μονάδα και, στη συνέχεια, πατήστε done.

Για να απενεργοποιήσετε τη λειτουργία Wi-Fi, πατήστε το κουμπί TIMER (1) στη μονάδα για 3 δευτερόλεπτα.

#### ΤΡΟΠΟΙ ΛΕΙΤΟΥΡΓΙΑΣ ΤΟΥ ΤΗΛΕΧΕΙΡΙΣΤΗΡΙΟΥ (ΒΛ. ΕΙΚΟΝΑ Δ)

**Power (1):** Ενεργοποίηση/Απενεργοποίηση του κλιματιστικού

**Mode(2):** Πατήστε αυτό το κουμπί για να επιλέξετε τον τρόπο λειτουργίας.

**Up (4):** Πατήστε το κουμπί επάνω για να αυξήσετε τη θερμοκρασία δωματίου και τη ρύθμιση του χρονοδιακόπτη.

**Down (5):** Πατήστε το κουμπί κάτω για να μειώσετε τη θερμοκρασία δωματίου και τη ρύθμιση του χρονοδιακόπτη.

**Fan (6):** Πατήστε αυτό το κουμπί για να επιλέξετε την ταχύτητα του ανεμιστήρα: Χαμηλή, Μέτρια, Υψηλή.

**Auto Swing (7):** Πατήστε αυτό το κουμπί για

να ενεργοποιήσετε ή να απενεργοποιήσετε τη λειτουργία αυτόματης περιστροφής.

**Sleep (8):** Πατήστε αυτό το κουμπί για να επιλέξετε ή να ακυρώσετε τη λειτουργία ύπνου.

(ισχύει μόνο κατά τη λειτουργία ψύξης ή θέρμανσης)

**Κουμπί χρονοδιακόπτη (3):** Ρύθμιση της λειτουργίας AUTO-ON σε κατάσταση αναμονής και AUTO-OFF όταν η μονάδα λειτουργεί. Ο χρόνος μπορεί να ρυθμιστεί μεταξύ 1-24 ωρών. Για να απενεργοποιήσετε τον χρονοδιακόπτη, πατήστε το κουμπί χρονοδιακόπτη και ρυθμίστε τον χρονοδιακόπτη στο "0".

Πριν χρησιμοποιήσετε το τηλεχειριστήριο, τοποθετήστε τις μπαταρίες AAA ακολουθώντας τα παρακάτω βήματα: (ΒΛ. ΕΙΚΟΝΑ Δ)

1. Σύρετε και αφαιρέστε απαλά το κάλυμμα της μπαταρίας που βρίσκεται στο πίσω μέρος του τηλεχειριστηρίου.

2. Τοποθετήστε δύο αλκαλικές μπαταρίες AAA, στους σωστούς πόλους.

3. Επανατοποθετήστε το κάλυμμα της μπαταρίας, εξασφαλίζοντας ότι η γλωττίδα ασφάλισης ασφαλών κουμπιών στη θέση της.

ΠΡΟΣΟΧΗ!!

- Χρησιμοποιήστε μόνο αλκαλικές μπαταρίες. Μην χρησιμοποιείτε επαναφορτιζόμενες μπαταρίες.

- Να αντικαθιστάτε πάντα και τις δύο μπαταρίες με καινούργιες- μην αναμειγνύετε παλιές και καινούργιες.

- Αφαιρέστε τις μπαταρίες από το τηλεχειριστήριο εάν το κλιματιστικό δεν θα χρησιμοποιηθεί για μεγάλο χρονικό διάστημα.

#### ΑΠΟΘΗΚΕΥΣΗ ΤΗΛΕΧΕΙΡΙΣΤΗΡΙΟΥ (ΒΛ. ΕΙΚΟΝΑ Ε)

Τοποθετήστε το τηλεχειριστήριο σε μια ενσωματωμένη θήκη στην πίσω πλευρά της μονάδας.

ΠΡΟΣΟΧΗ!! Για να μην χάσετε το τηλεχειριστήριο, παρακαλούμε τοποθετήστε το μέσα στο χώρο αποθήκευσης δεν το χρησιμοποιείτε.

ΠΡΟΣΟΧΗ!! Σε περίπτωση διαρροής της μπαταρίας στο δέρμα ή στα ρούχα σας, πλύνετε αμέσως την πληγείσα περιοχή σχολαστικά με καθαρό νερό. Αποφύγετε τη χρήση του τηλεχειριστηρίου εάν υπάρχουν ενδείξεις διαρροής μπαταρίας. Σε περίπτωση κατάποσης υγρού μπαταρίας, αναζητήστε αμέσως ιατρική βοήθεια.

Οι χημικές ουσίες που υπάρχουν στις μπαταρίες μπορεί να προκαλέσουν κινδύνους όπως εγκαύματα και άλλους κινδύνους για την υγεία.

## ΕΓΚΑΤΑΣΤΑΣΗ

### ΠΡΙΝ ΑΠΟ ΤΗ ΠΡΩΤΗ ΧΡΗΣΗ

Αφήστε τη μονάδα να σταθεί όρθια για 4 ώρες πριν από τη λειτουργία.

Αυτό το κλιματιστικό είναι σχεδιασμένο για άνετη μεταφορά παντού. Βεβαιωθείτε ότι η μονάδα παραμένει όρθια κατά τη μετακίνηση. Τοποθετήστε το κλιματιστικό σε μια επίπεδη επιφάνεια. Μην εγκαθιστάτε και μη λειτουργείτε αυτό το κλιματιστικό σε μπάνια ή υγρούς χώρους.

### ΣΗΜΑΝΤΙΚΕΣ ΠΛΗΡΟΦΟΡΙΕΣ ΠΡΙΝ ΑΠΟ ΤΗΝ ΕΓΚΑΤΑΣΤΑΣΗ ΤΟΥ ΣΩΛΗΝΑ

Κατά τη διάρκεια της λειτουργίας, διατηρήστε τον εύκαμπο σωλήνα όσο το δυνατόν συντομότερο και με όσο το δυνατόν λιγότερες στροφές για να ελαχιστοποιήσετε την πίεση πύσης και την απώλεια χωρητικότητας.

Ο εύκαμπτος σωλήνας εξαγωγής πρέπει να παραμείνει ομαλός για να αποφευχθεί η υπερθέρμανση και η πιθανή βλάβη του κλιματιστικού. Ο σωλήνας έχει μήκος 280 mm-1500 mm. Αποφύγετε την επιμήκυνση του σωλήνα ή την αντικατάστασή του με διαφορετικό σωλήνα, που μπορεί να επηρεάσει τη λειτουργία.

### ΕΓΚΑΤΑΣΤΑΣΗ ΤΟΥ ΕΥΚΑΜΠΤΟΥ ΣΩΛΗΝΑ ΑΠΟΣΤΡΑΓΓΙΣΗΣ (ΒΛ. ΕΙΚΟΝΑ ΣΤ)

1. Αφαιρέστε την πλαστική σακούλα βγάζοντας από τη συσκευασία τον εύκαμπο σωλήνα, τον σύνδεσμο του και τον αντάπτορα.

2. Τεντώστε το ένα άκρο του σωλήνα και συνδέστε το στρογγυλό σύνδεσμο περιστρέφοντάς τον αριστερόστροφα για τουλάχιστον τρεις τροφές.

3. Τεντώστε το άλλο άκρο του σωλήνα εξάτμισης και στερεώστε τον προσαρμογέα περιστρέφοντάς τον αριστερόστροφα για τουλάχιστον τρεις περιστροφές.

4. Τοποθετήστε το μπροστινό άκρο του μέρους του σωλήνα πάνω στην καθορισμένη εγκοπή της εξόδου αέρα που βρίσκεται στο πίσω μέρος. Οι συνδετήρες θα ασφαλισουν με ασφάλεια το συγκρότημα του σωλήνα εξαγωγής στη θέση του.

5. Τοποθετήστε τον εύκαμπο σωλήνα εξαγωγής αέρα στη μονάδα.

ΠΡΟΣΟΧΗ!! Βεβαιωθείτε για την ορθή τοποθέτηση του κιτ παραθύρου, για η βέλτιστη στεγανοποίηση στο παράθυρο σας.

Διατηρήστε μια ασφαλή και καλά τοποθετημένη σύνδεση του εύκαμπτου σωλήνα αποστράγγισης.

### ΤΟΠΟΘΕΤΗΣΗ ΤΟΥ WINDOW KIT (ΒΛ. ΕΙΚΟΝΑ Ζ)

1. Τοποθετήστε το ορθογώνιο άκρο του συγκροτήματος σωλήνα στις αντίστοιχες ορθογώνιες οπές στο συγκρότημα στεγανοποιητικής πλάκας παραθύρου και στερεώστε το με μια βίδα.

ΠΡΟΣΟΧΗ!

- Σύρετε τους αντάπτορες προς τα κάτω, εξασφαλίζοντας ότι έχουν τοποθετηθεί με ασφάλεια.

- Βεβαιωθείτε ότι η κατεύθυνση του κεκλιμένου πίνακα ευθυγραμμίζεται με την κατεύθυνση της πλάκας στεγανοποίησης.

- Βεβαιωθείτε ότι ο εύκαμπτος σωλήνας είναι όσο το δυνατόν πιο ευθύς για να εξασφαλίσετε επαρκή αερισμό.

2. Ανοίξτε το παράθυρο μέχρι τη μέση και τοποθετήστε το κιτ στο παράθυρο, τοποθετώντας την είτε κάθετα είτε οριζόντια.

3. Τεντώστε τα μέρη για την στεγανοποίηση και προσαρμόστε τα ώστε να ταιριάζουν με το μήκος του παραθύρου.

Βεβαιωθείτε ότι και τα δύο άκρα συναντούν τις άκρες του παραθύρου και στερεώστε το στη θέση του με βίδες.

ΠΡΟΣΟΧΗ!! Βεβαιωθείτε ότι και τα δύο άκρα του κιτ παραθύρου, καλύπτουν αποτελεσματικά τις άκρες του παραθύρου για τη βέλτιστη στεγανοποίηση.

Βεβαιωθείτε ότι οι βίδες είναι καλά σφιγμένες στη σωστή θέση.

4. Μετακινήστε τη συσκευή με τον εύκαμπο σωλήνα τοποθετημένο μπροστά από το παράθυρο και κρατήστε τη μονάδα τουλάχιστον 50 cm μακριά από τους τοίχους ή άλλα αντικείμενα.

### ΕΝΕΡΓΟΠΟΙΗΣΤΕ ΤΗ ΣΥΣΚΕΥΗ

Για να τροφοδοτήσετε τη συσκευή, συνδέστε την στην πρίζα.

Η συσκευή είναι τώρα έτοιμη για χρήση!

### ΣΥΝΤΗΡΗΣΗ

ΠΡΟΣΟΧΗ!! Απενεργοποιήστε τη μονάδα και βγάλτε το φως από την πρίζα πριν από τη συντήρηση.

### ΟΔΗΓΙΕΣ ΑΠΟΣΤΡΑΓΓΙΣΗΣ (ΒΛ. ΕΙΚΟΝΑ Η)

Το μεγαλύτερο μέρος του νερού θα απομακρυνθεί με φυσικό τρόπο μέσω του σωλήνα αποστράγγισης μαζί με τον ζεστό αέρα.

Εάν χρειαστεί να αδειάσετε τη δεξαμενή, η συσκευή θα σας ειδοποιήσει. (ΑΝΑΦΕΡΕΤΕ ΕΙΚΟΝΑ C, πλήρης ένδειξη)

Για να αδειάσετε τη δεξαμενή νερού: Ξεβιδώστε το κάλυμμα αποστράγγισης και αποσυνδέστε την οπή νερού για να αφήσετε το νερό να ρέει μέσα στο δοχείο. ΠΡΟΣΟΧΗ:

Να είστε προσεκτικοί για να αποφύγετε διαρροές εάν η μονάδα πρέπει να μετακινηθεί. Γείρετε τη μονάδα ελαφρώς προς τα πίσω κατά τη διάρκεια της αποστράγγισης. Εάν το δοχείο δεν μπορεί να συγκρατήσει όλο το νερό από τη μονάδα, φράξτε αμέσως την οπή αποστράγγισης για να αποτρέψετε τη διαρροή νερού και να αποφύγετε τη διαβροχή του δαπέδου ή του χαλιού. Βεβαιωθείτε ότι η τάπα νερού και το κάλυμμα αποστράγγισης είναι καλά τοποθετημένα για να αποτρέψετε το νέο συμπυκνωμένο νερό από το να βρέξει το δάπεδο ή το χαλί όταν η μονάδα επανεκκινηθεί.

Σύνδεση σωλήνα νερού για συνεχή αποστράγγιση: Ξεβιδώστε το κάλυμμα αποστράγγισης και αφαιρέστε την τάπα νερού. Συνδέστε έναν σωλήνα νερού εσωτερικής διαμέτρου 12 mm στον σωλήνα της μονάδας. Οδηγήστε το άλλο άκρο του σωλήνα νερού σε μια αποχέτευση.

Βεβαιωθείτε ότι το νερό μπορεί να αποστραγγιστεί προς τα κάτω.

ΠΡΟΣΟΧΗ: Όταν δεν υπάρχει νερό στο δοχείο, πρέπει να εγκατασταθεί ο σωλήνας αποστράγγισης.

Συνιστάται να μην χρησιμοποιείτε συνεχή αποστράγγιση όταν η μονάδα βρίσκεται σε λειτουργία ψύξης, ώστε να διασφαλίζεται η ανακύκλωση επαρκούς ποσότητας νερού εντός της μονάδας για την ενίσχυση των αποτελεσμάτων ψύξης του συστήματος. Τοποθετήστε τον σωλήνα αποστράγγισης σε απρόσιτη θέση, διασφαλίζοντας ότι δεν είναι τοποθετημένος ψηλότερα από την οπή αποστράγγισης, και διατηρήστε τον σωλήνα αποστράγγισης ευθύγραμμο καμπύλες. Βεβαιωθείτε ότι το κάλυμμα αποστράγγισης και το πώμα του είναι σωστά ασφαλισμένα όταν χρησιμοποιείται συνεχής αποστράγγιση.

### ΕΠΙΠΛΕΟΝ ΛΕΙΤΟΥΡΓΙΕΣ ΠΡΟΣΤΑΣΙΑΣ ΣΥΣΚΕΥΗΣ

Αυτόματη απόψυξη: Απόψυξη: Η μονάδα θα ξεπαγωσει αυτόματα όταν χρειάζεται. Στη

λειτουργία απόψυξης, στην οθόνη εμφανίζεται η ένδειξη D7 και κανένα κουμπί εκτός από το κουμπί POWER δεν είναι ενεργό.

Προστασία συμπίεστή: Η μονάδα διαθέτει μια λειτουργία προστασίας του συμπίεστή που προκαλεί μια καθυστέρηση εκκίνησης 3 λεπτών μετά την επανεκκίνηση της μονάδας.

Συναγερμός ασφαλείας πλήρους νερού και λειτουργία προστασίας διακοπής λειτουργίας: Όταν ο όγκος του νερού ξεπεράσει το καθορισμένο επίπεδο συναγερμού εντός του πλαισίου της μονάδας, ενεργοποιείται μια αυτόματη προειδοποιητική ειδοποίηση, συνοδευόμενη από τον φωτισμό του εικονιδίου πλήρους νερού στην οθόνη LCD. Σε αυτή την περίπτωση, είναι απαραίτητο να αποστραγγίσετε το συμπυκνωμένο νερό ακολουθώντας τις οδηγίες που παρέχονται στην ενότητα "Οδηγίες αποστράγγισης". Εάν η μονάδα δεν απενεργοποιηθεί χειροκίνητα, θα επανέλθει αυτόματα στην αρχική κατάσταση λειτουργίας της μόλις αποστραγγιστεί πλήρως το συμπυκνωμένο νερό. Εναλλακτικά, επανασυνδέστε το ρεύμα για να επανεκκινήσετε τη μονάδα.

### ΚΑΘΑΡΙΣΤΕ ΤΗΝ ΕΠΙΦΑΝΕΙΑ

- Καθαρίστε την επιφάνεια της μονάδας με ένα υγρό, μαλακό πανί και μην χρησιμοποιείτε χημικά, όπως οινόπνευμα και βενζίνη, για να αποφύγετε τυχόν υλικές ζημιές.

- Καθαρίστε την σκόνη στην έξοδο αέρα ή τις περσίδες με ένα υγρό μαλακό πανί και ήπιο απορρυπαντικό.

- Απαγορεύεται η χρήση οποιουδήποτε χημικού για τον καθαρισμό της μονάδας ή η τοποθέτηση τέτοιων αντικειμένων κοντά στη μονάδα για μεγάλο χρονικό διάστημα.

- Απαγορεύεται ο καθαρισμός της μονάδας με οποιδήποτε διαλυτικό, οινόπνευμα ή παρόμοιοι διαλύτες.

### ΚΑΘΑΡΙΣΤΕ ΤΟ ΦΙΛΤΡΟ ΚΑΘΑΡΙΣΜΟΥ (ΒΛ. ΕΙΚΟΝΑ Ι)

Είναι σημαντικό να καθαρίζετε το φίλτρο μία φορά κάθε δύο εβδομάδες, ώστε να μην επηρεάζεται η απόδοση της μονάδας από τη συσσώρευση σκόνης. Βυθίστε και πλύνετε απαλά το φίλτρο σε ζεστό νερό (περίπου 40° C) αναμειγμένο με ένα ουδέτερο καθαριστικό. Μετά τον καθαρισμό, επανατοποθετήστε το στη μονάδα.

Καθαρίστε τα κάτω φίλτρα: Τραβήξτε έξω τα κάτω φίλτρα, στη συνέχεια αφαιρέστε το πίσω φίλτρο και καθαρίστε το.

ΠΡΟΣΟΧΗ! Τραβήξτε απαλά το φίλτρο, αφαιρώντας πρώτα το φίλτρο της πίσω πλευράς πριν από το φίλτρο της πλαϊνής πλευράς για να αποφύγετε τυχόν ζημιές. Να είστε προσεκτικοί για να μην υποστεί ζημιά το πλέγμα και να αποφύγετε να χτυπήσετε το πλέγμα με αιχμηρά αντικείμενα ή βούρτσες.

ΠΡΟΣΟΧΗ! Βεβαιωθείτε ότι το φίλτρο έχει τοποθετηθεί στο πλευρικό πλαίσιο πριν από την τοποθέτηση του φίλτρου στο πίσω μέρος.

Τοποθετήστε το φίλτρο προς την αντίθετη κατεύθυνση απ'ότι το αφαιρέσατε.

### ΑΠΟΘΗΚΕΥΣΗ ΣΤΟ ΤΕΛΟΣ ΤΗΣ ΣΕΖΟΝ

1. Ξεβιδώστε το κάλυμμα αποστράγγισης και αφαιρέστε την τάπα νερού για να αποστραγγίσετε πλήρως το συμπυκνωμένο νερό.

ΠΡΟΣΟΧΗ: Η γωνία κλίσης της μονάδας πρέπει να είναι ≤ 30 μοίρες.

2. Λειτουργήστε τη μονάδα σε λειτουργία ανεμιστήρα για μισή ημέρα για να στεγνώσει καλά το εσωτερικό και να αποφύγετε την ανάπτυξη μούχλας.

3. Απενεργοποιήστε τη μονάδα, αποσυνδέστε την από την πρίζα, τυλίξτε το καλώδιο τροφοδοσίας γύρω από τον ειδικό χώρο περιέλιξης καλωδίων.

4. Αφαιρέστε το κομμάτι του σωλήνα αποστράγγισης, καθαρίστε το και αποθηκεύστε το σωστά.

ΠΡΟΣΟΧΗ: Κρατήστε το συγκρότημα του σωλήνα αποστράγγισης και με τα δύο χέρια κατά την αφαίρεση.

5. Σπρώξτε στην άκρη τους συνδέσμους στην έξοδο του αέρα εξαγωγής χρησιμοποιώντας τους αντixerές σας και, στη συνέχεια, τραβήξτε προς τα έξω το συγκρότημα του σωλήνα εξαγωγής.

6. Συσκευάστε το κλιματιστικό με ασφάλεια σε μια μαλακή πλαστική σακούλα, τοποθετήστε το σε ξηρό μέρος με κατάλληλα μέτρα προστασίας από τη σκόνη και φυλάξτε το μακριά από παιδιά.

7. Αφαιρέστε τις μπαταρίες από το τηλεχειριστήριο και αποθηκεύστε τις σωστά.

ΠΡΟΣΟΧΗ: Βεβαιωθείτε ότι η μονάδα αποθηκεύεται σε ξηρό περιβάλλον. Φυλάσσετε συλλογικά όλα τα εξαρτήματα της συσκευής για να αποφύγετε ζημιές ή αλλοιώσεις.

## ΕΓΓΥΗΣΕΙΣ

Δύο έτη εγγύησης έναντι ελαττωμάτων κατά την κατασκευή. Παρακαλείστε να σημειώσετε ότι η εγγύηση ισχύει μόνο με την προσκόμιση της απόδειξης αγοράς.

ΦΥΛΑΞΤΕ ΤΙΣ ΑΠΟΔΕΙΞΕΙΣ ΣΑΣ! Οι αποδείξεις θα απαιτούνται για οποιαδήποτε αξίωση εγγύησης κατά τη διάρκεια της περιόδου.

### ΝΑ ΑΠΟΚΤΗΣΕΤΕ ΕΚΤΕΤΑΜΕΝΗ ΕΓΓΥΗΣΗ

Αποκτήστε εγγύηση 3 ετών με την εγγραφή σας στο warranty-woods.com.

ΦΥΛΑΞΤΕ ΤΙΣ ΑΠΟΔΕΙΞΕΙΣ ΣΑΣ! Όλες οι αποδείξεις θα απαιτηθούν για οποιαδήποτε αξίωση εγγύησης κατά τη διάρκεια της περιόδου.



## ΑΝΤΙΜΕΤΩΠΙΣΗ ΠΡΟΒΛΗΜΑΤΩΝ

Ελέγξτε τη μονάδα και ακολουθήστε τις παρακάτω υποδείξεις πριν ζητήσετε επαγγελματική επισκευή. Ωστόσο, μην επιχειρήσετε ποτέ να αποσυναρμολογήσετε ή να επισκευάσετε τη μονάδα μόνοι σας, καθώς μπορεί να προκληθεί βλάβη σε εσάς και την περιουσία σας. Εάν παρουσιαστούν προβλήματα που δεν αναφέρονται στον πίνακα ή οι συνιστώμενες λύσεις δεν λειτουργούν, επικοινωνήστε με έναν επαγγελματικό οργανισμό σέρβις.

ΠΡΟΒΛΗΜΑ	ΑΙΤΙΑ	ΑΝΤΙΜΕΤΩΠΙΣΗ
Η μονάδα δεν μπορεί να εκκινήσει.	Διακοπή παροχής ρεύματος.	Συνδέστε τη μονάδα σε μια πρίζα υπό τάση και ενεργοποιήστε την.
	Η δεξαμενή νερού είναι γεμάτη με το αντίστοιχο φωτιζόμενο εικονίδιο.	Αποστραγγίστε το νερό που είναι αποθηκευμένο στη μονάδα.
	Η θερμοκρασία δωματίου είναι χαμηλότερη από τη ρυθμισμένη θερμοκρασία στη λειτουργία ψύξης ή υψηλότερη θερμοκρασία στη λειτουργία θέρμανσης.	Βεβαιωθείτε ότι η μονάδα λειτουργεί εντός του συνιστώμενου εύρους θερμοκρασίας. Ρυθμίστε τη ρυθμισμένη θερμοκρασία.
Ανεπαρκής ψύξη.	Υπάρχει άμεσο ηλιακό φως.	Κλείστε την κουρτίνα του παραθύρου.
	Οι πόρτες και τα παράθυρα είναι ανοιχτά, το δωμάτιο είναι γεμάτο ή υπάρχουν άλλες πηγές θερμότητας.	Κλείστε πόρτες και παράθυρα, απομακρύνετε άλλες πηγές θερμότητας και εξετάστε το ενδεχόμενο προσθήκης πρόσθετων κλιματιστικών.
	Βρώμικο φίλτρο.	Καθαρίστε ή αντικαταστήστε το πλέγμα του φίλτρου.
	Φραγμένη είσοδος ή έξοδος αέρα.	Αφαιρέστε τυχόν εμπόδια.
Υψηλό επίπεδο θορύβου.	Η μονάδα τοποθετείται σε ανώμαλη επιφάνεια.	Τοποθετήστε τη μονάδα σε επίπεδο και σταθερό μέρος (μπορεί να μειώσει το θόρυβο).
Ο συμπιεστής δεν λειτουργεί.	Έναρξη προστασίας από υπερθέρμανση.	Περιμένετε μέχρι να μειωθεί η θερμοκρασία, η μονάδα θα επανεκκινήσει αυτόματα.
Το τηλεχειριστήριο δεν λειτουργεί.	Η απόσταση μεταξύ της μονάδας και του τηλεχειριστηρίου είναι πολύ μεγάλη.	Φέρτε το τηλεχειριστήριο κοντά στο κλιματιστικό και βεβαιωθείτε ότι ο αέρας βρίσκεται στον υποδοχέα σήματος της μονάδας.
	Το τηλεχειριστήριο δεν στοχεύει στον υποδοχέα σήματος της μονάδας.	Αντικαταστήστε τις μπαταρίες
Εμφανίζεται ο κωδικός "D7 ή E4".	Αντιψυκτική προστασία.	Οι λειτουργίες θα αποκατασταθούν αυτόματα μόλις λήξει η αντιψυκτική προστασία.
Εμφανίζεται ο κωδικός "FL".	Η δεξαμενή νερού στο πλαίσιο είναι γεμάτη.	Αποστραγγίστε το συμπύκνωμα και επανεκκινήστε τη μονάδα.

## ΤΕΧΝΙΚΕΣ ΠΡΟΔΙΑΓΡΑΦΕΣ

ΑΡΙΘΜΟΣ ΜΟΝΤΕΛΟΥ.	CORTINA XL 14K WIFI	CORTINA XL 14K DUO WIFI	CORTINA XL 18K WIFI	CORTINA XL 18K DUO WIFI
Ικανότητα ψύξης	3900W	3900W	5000W	5000W
Ικανότητα θέρμανσης	N/A	3500W	N/A	4000W
Κατανάλωση ισχύος σε λειτουργία ψύξης	1490W	1490W	1750W	1750W
Κατανάλωση ισχύος σε λειτουργία θέρμανσης	N/A	1350W	N/A	1500W
Ροή αέρα	400m <sup>3</sup> /h	400m <sup>3</sup> /h	480m <sup>3</sup> /h	480m <sup>3</sup> /h
Ενεργειακή κλάση	A	A	A	A
Αφύγρανση	38L/D	38L/D	70L/D	70L/D
Ρύθμιση θερμοκρασίας	17-30°C	17-30°C	17-30°C	17-30°C
Θερμοκρασία εργασίας	17-43°C	5-43°C	17-43°C	5-43°C
EER σε λειτουργία ψύξης	2,6	2,6	2,6	2,6
Μήκη σωλήνων	1.5M	1.5M	1.5M	1.5M
Ψυκτικό αέριο	R290/285g	R290/285g	R290/295g	R290/295g
Στάθμη ήχου σε λειτουργία ψύξης (LWA) (dB(A))	60-64 dB	60-64 dB	60-64 dB	60-64 dB
Στάθμη ήχου σε λειτουργία ψύξης (LPA) (dB(A))	48-53 dB	48-53 dB	48-53 dB	48-53 dB
Καθαρό βάρος	31.5kg	33kg	27.3kg	28.3kg
Διαστάσεις συσκευής (Υ×Π×Β)	770×440×410mm	770×440×410mm	770×440×410mm	770×440×410mm

**Ενδέχεται να υπάρχουν τεχνικές αλλαγές και βελτιώσεις. Όλες οι τιμές είναι κατά προσέγγιση και ενδέχεται να διαφέρουν ανάλογα με τις εξωτερικές συνθήκες, όπως η θερμοκρασία, ο αερισμός και η υγρασία.**

**Σημείωση: Προστασία του περιβάλλοντος και απόρριψη**

- Οι καταναλωτές έχουν νομική υποχρέωση να απορρίπτουν κατάλληλα τις ηλεκτρονικές συσκευές, τους λαμπτήρες και τις μπαταρίες στο τέλος της διάρκειας ζωής τους.
- Μπορούν να επιστραφούν δωρεάν σε καθορισμένα σημεία συλλογής ή μέσω των λιανοπωλητών.
- Η διαγραφή των προσωπικών δεδομένων είναι ευθύνη του καταναλωτή.
- Οι λαμπτήρες και οι μπαταρίες που μπορούν να αφαιρεθούν με ασφάλεια και δεν είναι μόνιμα εγκατεστημένοι πρέπει να διαχωρίζονται για ξεχωριστή απόρριψη.
- Οι λεπτομέρειες της απόρριψης σύμφωνα με τη νομοθεσία διέπονται από την περιφερειακή νομοθεσία.
- Το σύμβολο του διαγραμμένου κάδου απορριμμάτων υποδηλώνει ότι οι ηλεκτρονικές συσκευές και οι μπαταρίες δεν πρέπει ποτέ να απορρίπτονται στα οικιακά απορρίμματα μετά τη λήξη της διάρκειας ζωής τους.
- Τα σύμβολα που βρίσκονται κάτω από τον κάδο απορριμμάτων υποδεικνύουν την πιθανή παρουσία ορισμένων ουσιών (μόλυβδος = Pb, υδράργυρος = Hg, κάδμιο = Cd).
- Αυτός ο διαχωρισμός είναι απαραίτητος επειδή οι μπαταρίες και οι ηλεκτρονικές συσκευές περιέχουν τόσο πολύτιμους πόρους όσο και ουσίες που είναι επιβλαβείς για τον άνθρωπο και το περιβάλλον.
- Με την ανακύκλωση, τη συλλογή και την επαναχρησιμοποίηση των μπαταριών και των κατάλληλων ηλεκτρονικών συσκευών, συμβάλλετε στη διατήρηση και προστασία του περιβάλλοντος και της ανθρώπινης υγείας.

**HOŘLAVÉ CHLADIVO.**

Tento spotřebič obsahuje R290/ propan, hořlavé chladivo.



Viz návod pro obsluhu.



Přečtěte si technický manuál.



Přečtěte si návod pro obsluhu.

**BEZPEČNOSTNÍ INFORMACE**

Před instalací a používáním spotřebiče si důkladně přečtěte dodané pokyny. Výrobce není zodpovědný za případná zranění a škody způsobené nesprávnou instalací a používáním. Pokyny si vždy ponechte spolu se spotřebičem pro budoucí použití.

**BEZPEČNOST DĚTÍ A ZRANITELNÝCH OSOB**

Risk of injury or permanent disability.

Riziko zranění nebo trvalého postižení. Tento spotřebič mohou používat děti ve věku od osmi let a starší, osoby se sníženou fyzickou, sensorickou nebo duševní schopností nebo nedostatkem zkušeností a znalostí, jsou-li pod dozorem, nebo dostaly pokyny o bezpečném používání spotřebiče a rozumějí souvisejícím rizikům.

Nedovolte dětem hrát si se spotřebičem.

Děti do tří let nenechávejte v blízkosti zařízení, pokud nejsou pod neustálým dozorem.

Udržujte obalový materiál mimo dosah dětí.

Čištění a údržbu mohou provádět děti pouze pod dozorem.

**OBECNÁ BEZPEČNOST**

Tento spotřebič je určen pro použití v domácnostech a podobných prostředích, jako jsou obchody, kanceláře a jiná pracovní prostředí. Výrobní štítek je umístěn na boční nebo zadní straně spotřebiče. Udržujte větrací otvory bez překážek.

Nepoužívejte mechanická zařízení nebo jiné prostředky k urychlení odmrazování, kromě těch, které doporučuje výrobce. Spotřebič nesmí být skladován v místnosti, kde jsou neustále provozovány zdroje zapálení (otevřené plameny, pracující plynové spotřebiče, elektrické ohřívače atd.). Nevrtějte ani nezapalujte. Mějte na paměti, že chladivo je bez zápachu. Nepoužívejte vodu ani páru k čištění spotřebiče. Spotřebič čistěte vlhkým měkkým hadříkem. Používejte pouze neutrální čistič. Nepoužívejte abrazivní výrobky, brusné vložky, rozpouštědla ani kovové předměty. Pokud je napájecí kabel poškozen, musí jej vyměnit výrobce, jeho autorizované servisní středisko nebo jiná kvalifikovaná osoba, aby se předešlo nebezpečí.

**BEZPEČNOSTNÍ POKYNY**

Spotřebič může opravovat pouze kvalifikovaná osoba.

Odstraňte veškerý obalový materiál. Neinstalujte ani nepoužívejte poškozený spotřebič. Spotřebič se má instalovat, provozovat a skladovat v místnosti o ploše větší než 14 m<sup>2</sup>. Přísně dodržujte instalační pokyny dodané se spotřebičem. Při pohybu se spotřebičem buďte vždy opatrní, protože je těžký.

Ujistěte se, že vzduch může cirkulovat kolem spotřebiče. Po dodání přístroje, počkejte nejméně 4 hodiny, než připojíte spotřebič k elektrické zásuvce. Tím se zajistí, že olej se dostane zpět do kompresoru. Neinstalujte spotřebič blízko radiátorů nebo jiných zdrojů tepla. Neinstalujte spotřebič na přímé slunce.

**ELEKTRICKÉ PŘIPOJENÍ**

Riziko požáru a úrazu elektrickým proudem.

Spotřebič musí být připojen k dobře uzemněné zásuvce. Ujistěte se, že elektrické informace na štítku s hodnocením jsou v souladu s

dodávaným napájením. V opačném případě kontaktujte elektrikáře. Vždy používejte správně instalovanou ochrannou zástrčku. Nepoužívejte vícepolohové adaptéry a prodlužovací kabely. Dávejte si pozor, abyste nepoškodili elektrické komponenty (například zástrčku, kabel). Pokud je nutná výměna elektrických komponentů, obraťte se na autorizované servisní středisko nebo elektrikáře. Kabel musí zůstat pod úrovní zástrčky. Zástrčku připojte k elektrické zásuvce až po dokončení instalace. Ujistěte se, že po instalaci je přístup k zástrčce. Netahejte napájecí kabel, abyste odpojili spotřebič. Vždy odpojte napájecí kabel od zástrčky.

**POUŽITÍ**

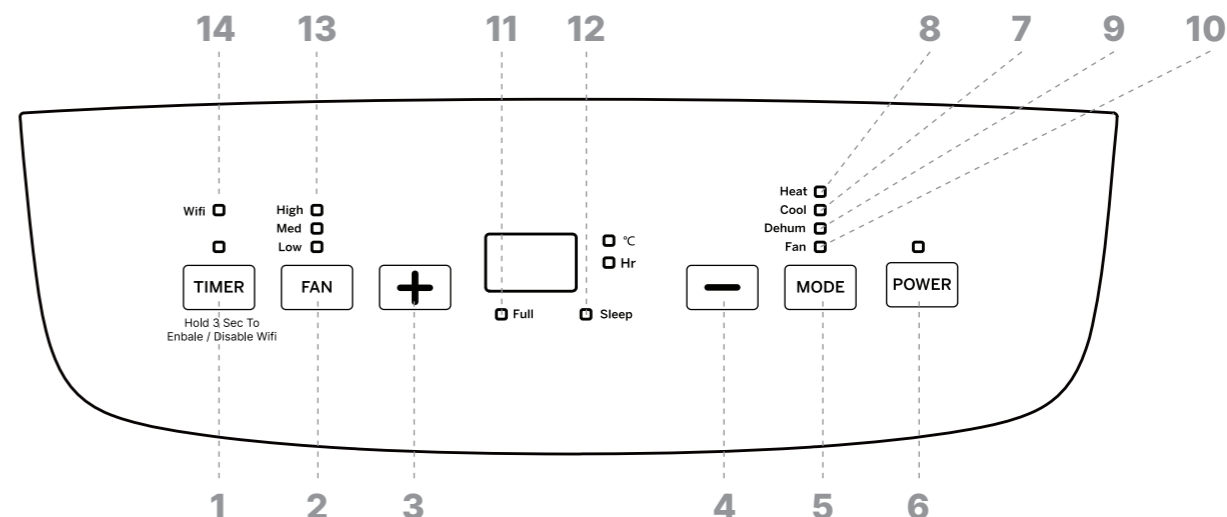
Riziko zranění, popálení, úrazu elektrickým proudem nebo požáru.

Neměňte specifikaci tohoto spotřebiče. Dávejte si pozor, abyste nepoškodili chladicí okruh. Obsahuje propan (R290), přírodní plyn s vysokou mírou environmentální kompatibility. Tento plyn je hořlavý. Dojde-li k poškození chladicího okruhu, ujistěte se, že v místnosti nejsou žádné plameny a zdroje zapálení. Vyvětrejte místnost. Neumísťujte hořlavé produkty ani mokré předměty s hořlavými produkty blízko nebo na spotřebič.

**LIKVIDACE**

Riziko zranění.

Odpojte spotřebič od elektrické sítě. Odstraňte napájecí kabel a zahodte ho. Chladicí okruh tohoto spotřebiče je šetrný k ozonové vrstvě. Kontaktujte místní úřad pro likvidaci spotřebiče. Nepoškoďte část chladicí jednotky, která je poblíž výměníku tepla.



Děkujeme vám za váš nákup a důvěru ve společnost Wood's. Tato příručka vás seznámí s provozními režimy klimatizace Cortina XL.

**Režim chlazení:** Chladicí režim: ochladí místnost na požadovanou teplotu. Optimální provozní teplota okolí pro modely s chlazením je 17-43°C.

**Režim vytápění:** Vyhřívá místnost na požadovanou teplotu. Optimální provozní teplota okolí pro modely chlazení i topení je 5-43°C. (Poznámka! Tento režim je k dispozici pouze u modelu AC s funkcí Duo/topení.)

**Režim odvlhčování:** Snižuje vlhkost v místnosti.

**Režim ventilátoru:** Cirkuluje vzduch v místnosti bez chlazení.

**NÁVOD K OBSLUZE****ČÁSTI VÝROBKU (VIZ OBRÁZEK A A B)**

- Okno pro příjem dálkového ovládání
- Ovládací panel
- Výstup vzduchu
- Kola
- Sestava horního filtru zadního panelu
- Držáky pro navíjení kabelů
- Sestava spodního filtru zadního panelu
- Kryt odtoku
- Přihrádka pro dálkové ovládání
- Přívod vzduchu
- Výstup vzduchu
- Sady oken
- Kulatá spojka výfukové hadice
- Výfuková hadice
- Adaptér na výfukovou hadici

**OVLÁDACÍ PANEĽ (VIZ VÝŠE NEBO OBRÁZEK C)**

- Tlačítko časovače
- Tlačítko rychlosti ventilátoru
- Tlačítko nahoru
- Tlačítko dolů
- Tlačítko režimu
- Tlačítko napájení
- Indikátor režimu chlazení
- Indikátor režimu vytápění (POZNÁMKA! Tento symbol je k dispozici pouze u modelu AC funkcí Duo/vyhřívání.)
- režimu odvlhčování
- Indikátor režimu ventilátoru
- Indikátor plné vody
- Indikátor režimu spánku
- Indikátor rychlosti ventilátoru
- Indikátor Wi-Fi. (POZNÁMKA! Tento symbol je k dispozici pouze u modelu AC s funkcí Wi-Fi/Smart Home.)

**PRACOVNÍ REŽIMY A FUNKCE OVLÁDACÍHO PANEĽU (VIZ OBRÁZEK C)**

**Tlačítko napájení (6):** Stisknutím tohoto tlačítka se přístroj aktivuje; ozve se melodický zvuk a přístroj automaticky přejde do režimu chlazení s přednastavenou teplotou 24°C. Ventilátor bude pracovat při středních otáčkách.

Chcete-li jednotku deaktivovat, stiskněte toto tlačítko znovu a melodický zvuk signalizuje její vypnutí.

1. Když je jednotka zapnutá, v okně LCD nastavená teplota v režimu chlazení a topení (POZNÁMKA! Sym-bol topení je k dispozici pouze u modelu AC funkcí Duo/topení) nebo okolní teplota v režimu odvlhčování, režimu ventilátoru. Ventilátor se spustí a automaticky se otevře okno pro výstup vzduchu.

2. Když je jednotka vypnutá, všechny části přestanou pracovat a okénko pro výstup vzduchu se auto-maticky zavře.

POZNÁMKA! Ventilátor bude běžet ještě

krátkou dobu po vypnutí stroje.

**Tlačítko režimu (5):** Stisknutím tlačítka "Mode" (Režim) můžete pro potvrzení procházet dostupné režimy.

**Režim chlazení (7):** Ochladí místnost na nastavenou teplotu.

**Režim vytápění (8):** Vyhřívá místnost na nastavenou teplotu. (POZNÁMKA! Tento režim je k dispozici pouze u modelu AC s funkcí Duo/topení.)

**Režim odvlhčování (9):** Snižuje vlhkost v místnosti.

**Režim ventilátoru (10):** Cirkuluje a čistí vzduch v místnosti bez chlazení.

**Tlačítko dolů (4):** Klepnutím na tlačítko snížíte nastavenou teplotu nebo ji nastavíte směrem dolů.

**Tlačítko nahoru (3):** Klepnutím na tlačítko nastavíte nastavenou teplotu směrem nahoru.

**Tlačítko rychlosti ventilátoru (2):** Stisknutím tlačítka rychlosti ventilátoru zvolíte rychlost ventilátoru na vysokou, střední nebo nízkou.

POZNÁMKA! V režimech odvlhčování a spánku nelze nastavit rychlost ventilátoru.

**Časovač (1):** Jedním stisknutím aktivujete funkci časovače. Stisknutím tlačítka + nebo - nastavte počet hodin (1-24). Když displej přestane blikat, je časovač nastaven. Pro deaktivaci stiskněte 2krát tlačítko časovače.

**FUNKCE PŘI KOMBINACI TLAČÍTEK (VIZ OBRÁZEK C)**

**Funkce spánku (12):** Stisknutím tlačítka TIMER (1) a tlačítka nahoru (3) spustíte nebo zrušíte funkci SLEEP. Upozorňujeme, že ve funkci Spánek nelze nastavit rychlost ventilátoru.

- Pokud je v režimu chlazení aktivována funkce Spánek, zvýší po 2 hodinách nastavenou teplotu o 1°C a po dalších 2 hodinách ji zvýší o další 1°C a udržuje provoz na této teplotě.

- Pokud je v režimu vytápění aktivována funkce Spánek (k dispozici pouze u modelu AC s funkcí Duo/vyhřívání), sníží po 2 hodinách nastavenou teplotu o 1° C. Poté ji sníží o další 1° C po dalších 2 hodinách a poté pracuje při této teplotě. **POZNÁMKA!** Funkce spánku bude neúčinná v režimu ventilátoru, režimu odvlhčování.

**Funkce Auto Swing:** Funkce Auto-Swing se aktivuje nebo deaktivuje současným stisknutím tlačítka TIMER (1) a tlačítka Fan speed (2).

## FUNKCE WIFI (14):

(Platí pouze pro model AC s funkcí WiFi/Smart Home.)

Wood's



1. Stáhněte si aplikaci Wood's Connect z App Store nebo Google Play.
2. Zaregistrujte se a postupujte podle pokynů. Přijměte všechny kroky. (Pozorně si přečtěte Zásady ochrany osobních údajů a pokud souhlasíte s dohodami, klepněte na tlačítko Souhlasím dole a pokračujte.)
3. Otevřete aplikaci Wood's Connect a na domovské obrazovce stiskněte tlačítko "přidat zařízení".
4. Pro vstup do režimu párování stiskněte a podržte tlačítko TIMER (1) na přístroji po dobu 3 sekund, aby se na displeji rychle rozblkla ikona Wi-Fi.
5. Po objevení zařízení na obrazovce stiskněte tlačítko přidat. Model můžete vybrat také ručně.
6. Vyplňte nastavení Wi-Fi a heslo a stiskněte tlačítko další.
7. Stisknutím tlačítka + přidáte jednotku.
8. Počkejte, dokud se jednotka nepřidá, a stiskněte tlačítko hotovo.

Chcete-li funkci Wi-Fi odpojit, stiskněte na přístroji na 3 sekund tlačítko TIMER (1).

## PROVOZNÍ REŽIMY DÁLKOVÉHO OVLÁDÁNÍ (VIZ OBRÁZEK D)

**Výkon (1):** Stisknutím tohoto tlačítka spustíte jednotku, když je pod napětím, nebo ji zastavíte, když je v provozu.

**Tlačítko režimu (2):** Stisknutím tohoto tlačítka zvolíte provozní režim.

**Tlačítko nahoru (4):** Stisknutím tlačítka nahoru zvýšíte teplotu v místnosti a nastavení časovače.

**Tlačítko dolů (5):** Stisknutím tlačítka dolů snížíte teplotu v místnosti a nastavení

časovače.

**Tlačítko ventilátoru (6):** Stisknutím tohoto tlačítka zvolíte rychlost ventilátoru: Nízká, Střední, Vysoká.

**Tlačítko Auto Swing (7):** Stisknutím tohoto tlačítka zapnete nebo vypnete funkci automatického kývání.

**Tlačítko Spánek (8):** Stisknutím tohoto tlačítka zvolíte nebo zrušíte režim spánku (účinný pouze při chlazení nebo vytápění).

**Tlačítko časovače (3):** Nastavte funkci AUTO-ON v pohotovostním stavu a AUTO-OFF, když je přístroj v provozu. Čas lze nastavit v rozmezí 1-24 hodin. Chcete-li časovač vypnout, stiskněte tlačítko časovače a nastavte časovač na "0".

Před použitím dálkového ovládání baterie AAA podle následujících pokynů: (VIZ OBRÁZEK D)

1. Posuňte a opatrně sejměte kryt baterií umístěný na zadní straně dálkového ovladače.
2. určeného prostoru pro baterie vložte dvě nové alkalické baterie AAA a dbejte na správnou polaritu.
3. Znovu nasadte kryt baterie a ujistěte se, že pojistný jazýček bezpečně zapadl na své místo.

POZOR!

- Používejte pouze alkalické baterie. Nepoužívejte dobíjecí baterie.

- Vždy vyměňte obě baterie za nové; nemíchejte staré a nové baterie.

- Pokud nebudete klimatizaci delší dobu, vyjměte z dálkového baterie.

## ULOŽENÍ DÁLKOVÉHO OVLÁDÁNÍ (VIZ OBRÁZEK E)

Vložte dálkový ovladač do vestavěné přihrádky na zadní straně přístroje.

**POZNÁMKA!** Abyste zabránili ztrátě dálkového ovladače, uložte jej, pokud jej nepoužíváte do úložného prostoru.

**UPOZORNĚNÍ:** V případě, že dojde k vytečení baterie na kůži nebo oděv, postižené místo ihned důkladně omyjte čistou vodou. Pokud se objeví známky úniku baterie, dálkový nepoužívejte. V případě požití ka-paliny z baterie okamžitě vyhledejte lékařskou pomoc.

Chemikálie obsažené v bateriích mohou představovat riziko, například popáleniny a další zdravotní rizika.

## INSTALACE

### PŘED PRVNÍM POUŽITÍM

Před zahájením provozu nechte přístroj stát 4 hodiny ve svislé poloze.

Tato klimatizace je navržena pro pohodlné přemístění v interiéru. Zajistěte, aby jednotka zůstala při stěhování ve vzpřímené poloze. Umístěte klimatizační

jednotku na rovný povrch. Tuto klimatizaci neinstalujte ani neprovozujte v koupelnách nebo jiných vlhkých prostředích.

### DŮLEŽITÉ INFORMACE PŘED INSTALACÍ VZDUCHOVÉ HADICE

Během provozu udržujte hadici co nejkratší a s co nejmenším počtem ohybů, abyste minimalizovali pokles tlaku a ztrátu kapacity.

Výfuková hadice musí zůstat hladká, aby se zabránilo přehřátí a případnému poškození klimatizace. Délka hadice je 280-1500 mm. Vyhněte se prodlužování hadice nebo její výměně za jinou hadici, což by mohlo ovlivnit provoz.

### MONTÁŽ HADICE A JEJÍHO ADAPTÉRU. (VIZ OBRÁZEK F)

1. Vyjměte plastový sáček tak, že z obalu vyjměte výfukovou hadici, její konektor a adaptér.
2. Vysuňte jeden konec výfukové hadice a připojte kulatý konektor otáčením proti směru hodinových ručiček minimálně po třech otáčkách.
3. Natáhněte druhý konec výfukové hadice a nasadte adaptér otáčením proti směru hodinových ručiček nejméně po třech otáčkách.
4. Umístěte přední konec hadice na určený zářez vývodu výfukového vzduchu umístěný na zadním pan-elu. Upevňovací prvky bezpečně zajistí sestavu výfukové hadice na místě.
5. Nainstalujte hadici pro odvod vzduchu na jednotku.

**POZNÁMKA!** Dbejte na správnou orientaci šikmé strany adaptéru pro snadnou instalaci těsnicí desky okna.

Dbejte na bezpečné a dobře umístěné připojení výfukové hadice.

### MONTÁŽ TĚSNICÍ DESKY OKNA (VIZ OBRÁZEK G)

1. Nainstalujte obdélníkový konec hadice do odpovídajících obdélníkových otvorů v sestavě okenní těsnicí desky a upevněte jej šroubem.

POZOR!

- Adaptéry posuňte směrem dolů a zajistěte jejich pevnou instalaci.

- Zkontrolujte, zda je směr šikmého panelu v souladu se směrem těsnicí desky.

- Ujistěte se, že je hadice co nejrovnější, aby byla zajištěna dostatečná ventilace.

2. Otevřete okno do poloviny a vložte těsnicí desku do okna ve svislé nebo vodorovné poloze.

3. Vysuňte díly těsnicí desky a upravte je podle délky okna.

Zajistěte, aby se oba konce dotýkaly okrajů okna, a zajistěte je na místě pomocí šroubů.

**UPOZORNĚNÍ!** Zkontrolujte, zda se oba

konce těsnicí desky okna účinně dotýkají okrajů okna, aby bylo zajištěno správné utěsnění.

Ujistěte se, že jsou šrouby pevně utaženy ve správné poloze.

4. Přemístěte jednotku s hadicí namontovanou před oknem a udržujte ji ve vzdálenosti nejméně 50 cm od stěn nebo jiných předmětů

### ZAPNĚTE JEDNOTKU POD NAPĚTÍM

Chcete-li jednotku napájet, zapojte ji do zásuvky.

Jednotka je nyní připravena k použití!

### ÚDRŽBA

**UPOZORNĚNÍ!** Před údržbou přístroj vypněte a vytáhněte zástrčku ze zásuvky.

### POKYNY PRO ODVODNĚNÍ (VIZ OBRÁZEK H)

Většina vody bude přirozeně odvedena výfukovou hadicí spolu s horkým vzduchem.

Pokud je třeba nádrž vyprázdnit, přístroj vás na to upozorní. (ODKAZ NA OBRÁZEK C, indikátor naplnění)

Vyprázdnění nádrže na vodu: Odšroubujte vypouštěcí kryt a odpojte zástrčku, aby voda mohla vytékat do zásobníku. **POZNÁMKA:**

Dbejte zvýšené opatrnosti, aby nedošlo k úniku, pokud je třeba jednotku přemístit. Při vypouštění vody jednotku mírně nakloňte dozadu. Pokud vanička nemůže pojmout veškerou vodu z jednotky, okamžitě ucpěte vypouštěcí otvor, abyste zabránili úniku vody a zabránili namočení podlahy nebo koberce. Ujistěte se, že jsou vodní zátka a kryt vypouštěcího otvoru pevně nainstalovány, aby nedošlo k navlhčení podlahy nebo koberce novou zkondenzovanou vodou při opětovném spuštění jednotky.

Připojení vodní hadice pro průběžné vypouštění vody: Odšroubujte kryt odtoku a vyjměte vodní zátka. Připojte vodní hadici o vnitřním průměru 12 mm k trubce na jednotce. Druhý konec vodní hadice vyvedte do odtoku.

Ujistěte se, že voda může odtékat směrem dolů.

**POZNÁMKA:** Pokud není ve vaničce voda, musí být instalována vypouštěcí hadice.

Doporučuje se nepoužívat nepřetržitě vypouštění, když je jednotka v režimu chlazení, aby se zajistila dostatečná recyklace vody v jednotce a zvýšily se tak chladicí účinky systému. Vypouštěcí hadici umístěte na nepřístupné místo, dbejte na to, aby nebyla výše než vypouštěcí otvor, a udržujte vypouštěcí hadici rovnou bez jakýchkoli ohybů. Při použití průběžného vypouštění zajistěte, aby byl kryt vypouštěcí hadice a její zátka řádně zajištěny.

### VÍCE OCHRANNÝCH FUNKCÍ

Automatické odmrazování: Přístroj se v případě potřeby automaticky odmrazí. V režimu odmrazování se na displeji zobrazí D7 a žádná tlačítka kromě tlačítka POWER nejsou aktivní.

Ochrana kompresoru: Jednotka je vybavena funkcí ochrany kompresoru, která způsobuje 3minutové pozdější startu po opětovném spuštění jednotky.

Bezpečnostní alarm při plném zásobníku vody a funkce ochrany proti vypnutí: Pokud objem vody v šasi jednotky překročí určenou úroveň alarmu, spustí se automatické varování doprovázené rozsvícením ikony plného zásobníku vody na LCD displeji. V takovém případě je nutné vypustit zkondenzovanou vodu podle pokynů uvedených v části "Pokyny pro vypouštění". Pokud není jednotka ručně vypnuta, automaticky se vrátí do původního provozního stavu, jakmile je kondenzovaná voda zcela vypuštěna. Případně znovu připojte napájení, aby se jednotka znovu spustila.

### ČIŠTĚNÍ POVRCHU

- Povrch jednotky čistěte vlhkým měkkým hadříkem a nepoužívejte chemická rozpouštědla, jako je alko-hol nebo benzín, aby nedošlo k poškození.

- Znečištěný výstup vzduchu nebo žaluzie vyčistěte vlhkým měkkým hadříkem a jemným čisticím prostředkem.

- K čištění jednotky je zakázáno jakákoli chemická rozpouštědla nebo dlouhodobě odkládat do blízkosti jednotky.

- Při čištění jednotky je zakázáno používat ředidla, lihový lesk nebo podobná rozpouštědla.

### ČIŠTĚNÍ OMYVATELNÉHO FILTRU (VIZ OBRÁZEK I)

Filtr je nutné čistit jednou za dva týdny, aby nedocházelo k ovlivňování výkonu jednotky nahromaděným prachem. Filtr ponořte a jemně omyjte v teplé vodě (přibližně 40° C) smíchané s neutrálním čisticím prostředkem. Po vyčištění jej opět namontujte na jednotku.

Vyčistěte spodní filtry: Vyjměte spodní filtry, poté vyjměte zadní filtr a vyčistěte jej.

**POZNÁMKA:** Opatrně vytáhněte filtr a přednostně odstraňte filtr zadního panelu před filtrem bočního panelu, aby nedošlo k jeho zkroucení nebo poškození. Dbejte zvýšené opatrnosti, abyste sítku nepomačkali, a vyhněte se úderům ostrými předměty nebo kartáči.

**POZNÁMKA!** Před instalací filtru zadní panel se ujistěte, že je filtr nainstalován na bočním panelu.

Filtr namontujte v opačném směru, než byl vyjmut.

### SKLADOVÁNÍ NA KONCI SEZÓNY

1. Odšroubujte vypouštěcí kryt a vyjměte vodní zátka, abyste kondenzovanou vodu zcela vypustili.

**POZNÁMKA:** Úhel sklonu jednotky musí být ≤ 30 stupňů.

2. Provozujte jednotku v režimu ventilátoru po půl dne, abyste důkladně vysušili vnitřní prostor a zabránili vzniku plísní.

3. Vypněte přístroj, odpojte jej ze zásuvky, omejte napájecí kabel kolem sloupku pro navijení vodičů.

4. Vyjměte sestavu hadice pro odvod tepla, vyčistěte ji a řádně uložte.

**POZNÁMKA:** Při demontáži držte sestavu výfukové hadice oběma rukama.

5. Palci odsuňte upevňovací prvky na výstupu výfukového vzduchu a vytáhněte sestavu výfukové hadice.

6. Klimatizaci bezpečně zabalte do měkkého plastového sáčku, umístěte ji na suché místo s vhodnými protiprachovými opatřeními a uchovávejte ji mimo dosah dětí.

7. Vyjměte baterie z dálkového a řádně je uložte.

**POZNÁMKA:** Zajistěte, aby byl přístroj uložen v suchém prostředí. Chraňte veškeré příslušenství jednotky společně, aby nedošlo k jeho poškození nebo znehodnocení.

## ZÁRUKY

Dvouletá záruka na výrobní vady. Upozorňujeme, že záruka je platná pouze po předložení dokladu o koupi. **USCHOVEJTE SI ÚČTENKY!** Účtenky budou vyžadovány pro případnou reklamaci v průběhu záruční doby.

### ZÍSKEJTE PRODLOUŽENOU ZÁRUKU

Získejte 3letou záruku registrací na stránkách warranty-woods.com.

**USCHOVEJTE SI ÚČTENKY!** Všechny účtenky budou vyžadovány pro případnou reklamaci v průběhu záruční doby.



**ODSTRAŇOVÁNÍ POTÍŽÍ**

Než požádáte o odborný servis, zkontrolujte jednotku a postupujte podle níže uvedených pokynů. Nikdy se však nepokoušejte jednotku rozebrat nebo opravovat sami, protože by mohlo dojít k poškození vás a vašeho majetku. Pokud se vyskytnou problémy, které nejsou uvedeny v tabulce, nebo doporučená řešení nefungují, obraťte se na odbornou servisní organizaci.

POTÍŽE	PŘÍČINA	NÁPRAVA
Jednotka se nespustí.	Výpadek napájení.	Připojte přístroj do zásuvky pod napětím a zapněte jej.
	Plná nádrž na vodu s příslušnou svítící ikonou.	Vypusťte vodu uloženou v jednotce.
	Teplota v místnosti je nižší než nastavená teplota v režimu chlazení nebo vyšší v režimu vytápění.	Zajistěte, aby jednotka pracovala v doporučeném teplotním rozmezí. Upravte nastavenou teplotu.
Nedostatečné chlazení.	Je zde přímé sluneční světlo.	Zatáhněte okenní závěs.
	Dveře a okna jsou otevřená, místnost je přehřátá nebo jsou v ní jiné zdroje tepla.	Zavřete dveře a okna, odstraňte další zdroje tepla a zvažte přidání dalších klimatizačních zařízení.
	Znečištěný filtr.	Vyčistěte nebo vyměňte filtrační sítku.
	Přívod nebo výstup vzduchu je ucpaný.	Odstraňte všechny překážky.
Vysoká hladina hluku.	Jednotka je umístěna na nerovném povrchu.	Umístěte jednotku na rovné a pevné místo (může snížit hlučnost).
Kompresor nefunguje.	Spuštění ochrany proti přehřátí.	Počkejte, dokud se teplota nesníží, jednotka se automaticky restartuje.
Dálkové ovládání nefunguje.	Příliš velká vzdálenost mezi jednotkou a dálkovým ovladačem.	Přiblížte dálkový ovladač ke klimatizační jednotce a zajistěte, aby byl vzduch na receptoru signálu na jednotce.
	Dálkový ovladač není namířen na přijímač signálu na jednotce.	
	Baterie jsou vybité.	Výměna baterií
Zobrazí se kód "D7 nebo E4".	Ochrana proti zamrznutí.	Po skončení ochrany proti zamrznutí se funkce automaticky obnoví.
Zobrazí se kód "FL".	Nádrž na vodu v podvozku je plná.	Vypusťte kondenzát a jednotku znovu spusťte.

**TECHNICKÁ SPECIFIKACE**

MODEL Č.	CORTINA XL 14K WIFI	CORTINA XL 14K DUO WIFI	CORTINA XL 18K WIFI	CORTINA XL 18K DUO WIFI
Chladicí kapacita	3900W	3900W	5000W	5000W
Topný výkon	N/A	3500W	N/A	4000W
Spotřeba energie v režimu chlazení	1490W	1490W	1750W	1750W
Spotřeba energie v režimu vytápění	N/A	1350W	N/A	1500W
Proudění vzduchu	400m <sup>3</sup> /h	400m <sup>3</sup> /h	480m <sup>3</sup> /h	480m <sup>3</sup> /h
Energetická třída	A	A	A	A
Odvlhčování	38L/D	38L/D	70L/D	70L/D
Nastavení teploty	17-30°C	17-30°C	17-30°C	17-30°C
Pracovní teplota	17-43°C	5-43°C	17-43°C	5-43°C
EER v režimu chlazení	2,6	2,6	2,6	2,6
Délky hadic	1.5M	1.5M	1.5M	1.5M
Chladicí plyn	R290/285g	R290/285g	R290/295g	R290/295g
Hladina hluku v režimu chlazení (LWA) (dB(A))	60-64 dB	60-64 dB	60-64 dB	60-64 dB
Hladina hluku v režimu chlazení (LPA) (dB(A))	48-53 dB	48-53 dB	48-53 dB	48-53 dB
Čistá hmotnost	31.5kg	33kg	27.3kg	28.3kg
Rozměry zařízení (V × Š × H)	770×440×410mm	770×440×410mm	770×440×410mm	770×440×410mm

**Může dojít k technickým změnám a vylepšením. Všechny hodnoty jsou přibližné a mohou se lišit v závislosti na vnějších podmínkách, jako je teplota, větrání a vlhkost.**

**Upozornění: Ochrana životního prostředí a likvidace**

- Spotřebitel má ze zákona povinnost řádným způsobem zlikvidovat elektronická zařízení, zdroje světla a baterie po ukončení jejich životnosti.
- Tyto výrobky je možné bezplatně odevzdat na veřejných sběrných místech nebo u prodejců.
- Za vymazání osobních údajů nese výlučnou odpovědnost spotřebitel.
- Zdroje světla a baterie, které je možné bezpečně vyjmout a které nejsou natrvalo začleněny do výrobku, je potřeba demontovat a zlikvidovat odděleně.
- Přesný postup při likvidaci podle požadavků zákona upravuje místní právo.
- Značkou přeškrtnutého odpadkového koše na kolečkách se označují elektronická zařízení a baterie, které se po skončení životnosti nesmí vyhazovat do směsného domovního odpadu.
- Případné symboly pod značkou odpadkového koše mohou informovat o obsažených materiálech (olovo = Pb, rtuť = Hg, kadmium = Cd).
- Roztřídění je zcela zásadní, protože baterie a elektronická zařízení patří mezi hodnotné zdroje a obsahují látky, které jsou škodlivé jak pro lidi, tak pro životní prostředí.
- Recyklací, sběrem a opětovným využitím vhodných baterií a elektronických zařízení přispíváte k zachování a ochraně životního prostředí a lidského zdraví.

**HORĽAVÉ CHLADIVO.**

Tento spotrebič obsahuje R290/  
propán, horľavé chladivo.



Pozri prevádzkový manuál.



Prečítajte si technický  
manuál.



Prečítajte si prevádzkový  
manuál.

**BEZPEČNOSTNÉ INFORMÁCIE**

Pred inštaláciou a používaním spotrebiča si dôkladne prečítajte dodané pokyny. Výrobca nie je zodpovedný za prípadné zranenia a škody spôsobené nesprávnou inštaláciou a používaním. Pokyny si vždy ponechajte spolu so spotrebičom pre budúce použitie.

**BEZPEČNOSŤ DETÍ A ZRANITELNÝCH OSÔB****VAROVANIE**

Riziko zranenia alebo trvalého postihnutia.

Tento spotrebič môžu používať deti vo veku od osem rokov a staršie, osoby so zníženou fyzickou, senzorickou alebo duševnou schopnosťou alebo nedostatkom skúseností a znalostí, ak sú pod dozorom, alebo dostali pokyny o bezpečnom používaní spotrebiča a rozumejú súvisiacim rizikám.

Nedovoľte deťom hrať sa so spotrebičom.

Deti do troch rokov nenechávajte v blízkosti zariadenia, pokiaľ nie sú pod neustálym dozorom.

Udržujte obalový materiál mimo dosahu detí.

Čistenie a údržbu môžu vykonávať deti len pod dozorom.

**VŠEOBECNÁ BEZPEČNOSŤ**

Tento spotrebič je určený na používanie v domácnostiach a podobných prostrediach, ako sú obchody, kancelárie a iné pracovné prostredia. Výrobný štítok sa nachádza na bočnej alebo zadnej strane spotrebiča. Udržujte vetracie otvory bez prekážok.

Nepoužívajte mechanické zariadenia alebo iné prostriedky na urýchlenie odmrazovania, okrem tých ktoré odporúča výrobca. Spotrebič nesmie byť skladovaný v miestnosti, kde sú neustále prevádzkované zdroje zapálenia (otvorené plamene, pracujúce plynové spotrebiče, elektrické ohrievače atď.). Nevráťajte ani nezapaľujte. Majte na pamäti, že chladivo je bez zápachu. Nepoužívajte vodu ani paru na čistenie spotrebiča. Spotrebič čistite vlhkou mäkkou handričkou. Používajte iba neutrálne čističe. Nepoužívajte abrazívne výrobky, brúsne vložky, rozpúšťadlá ani kovové predmety. Ak je napájací kábel poškodený, musí ho vymeniť výrobca, jeho autorizované servisné stredisko alebo iná kvalifikovaná osoba, aby sa predišlo nebezpečenstvu.

**BEZPEČNOSTNÉ POKYNY****VAROVANIE**

Spotrebič môže opravovať len kvalifikovaná osoba.

Odstráňte všetok obalový materiál. Neinštalujte ani nepoužívajte poškodený spotrebič. Spotrebič sa má inštalovať, prevádzkovať a skladovať v miestnosti s plochou väčšou ako 14 m<sup>2</sup>. Prísne dodržiavajte inštalčné pokyny dodané so spotrebičom. Pri pohybe so spotrebičom buďte vždy opatrní, pretože je ťažký.

Uistite sa, že vzduch môže cirkulovať okolo spotrebiča. Po dodaní prístroja, počkajte najmenej 4 hodiny, než pripojíte spotrebič k elektrickej zásuvke. Tým sa zabezpečí, že olej sa dostane späť do kompresora. Neinštalujte spotrebič blízko radiátorov alebo iných zdrojov tepla. Neinštalujte spotrebič na priame slnko.

**ELEKTRICKÉ PRIPOJENIE****VAROVANIE**

Riziko požiaru a úrazu elektrickým prúdom.

Spotrebič musí byť pripojený k

dobře uzemnenej zásuvke. Uistite sa, že elektrické informácie na štítku s hodnotením sú v súlade s dodávaným napájaním. V opačnom prípade kontaktujte elektrikára. Vždy používajte správne inštalované ochrannú zástrčku. Nepoužívajte viacpolohové adaptéry a predlžovacie káble. Dávajte si pozor, aby ste nepoškodili elektrické komponenty (napríklad zástrčku, kábel). Ak je potrebná výmena elektrických komponentov, obráťte sa na autorizované servisné stredisko alebo elektrikára. Kábel musí zostať pod úrovňou zástrčky. Zástrčku pripojte k elektrickej zásuvke až po dokončení inštalácie. Uistite sa, že po inštalácii je prístup k zástrčke. Neťahajte napájací kábel, aby ste odpojili spotrebič. Vždy odpojte napájací kábel od zástrčky.

**POUŽITIE****VAROVANIE**

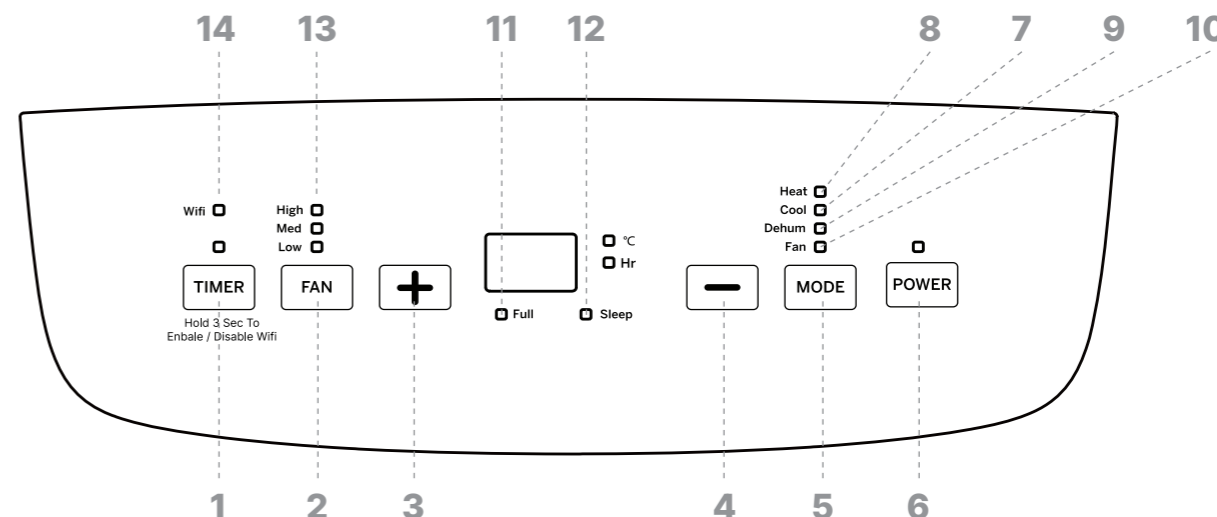
Riziko zranenia, popálenia, úrazu elektrickým prúdom alebo požiaru.

Nemeňte špecifikáciu tohto spotrebiča. Dávajte si pozor, aby ste nepoškodili chladiaci okruh. Obsahuje propán (R290), prírodný plyn s vysokou mierou environmentálnej kompatibility. Tento plyn je horľavý. Ak dôjde k poškodeniu chladiaceho okruhu, uistite sa, že v miestnosti nie sú žiadne plamene a zdroje zapálenia. Vytvetrajte miestnosť. Neumiestňujte horľavé produkty ani mokré predmety s horľavými produktmi blízko alebo na spotrebič.

**DISPOSAL****VAROVANIE**

Riziko zranenia.

Odpojte spotrebič od elektrickej siete. Odrežte napájací kábel a zlikvidujte ho. Chladiacový okruh tohto spotrebiča je šetrný k ozónu. Obráťte sa na miestne úrady, aby ste získali informácie o správnej likvidácii spotrebiča. Nepoškodzuje časť chladiacej jednotky, ktorá je blízko tepelného výmenníka.



Ďakujeme vám za váš nákup a dôveru v spoločnosť Wood's. Táto príručka vás oboznámi s prevádzkovými režimami zariadenia AC Cortina XL.

**Režim chladenia:** Chladenie: ochladí miestnosť na požadovanú teplotu. Optimálna prevádzková teplota okolia pre modely s chladením je 17-43°C.

**Režim vykurovania:** Vyhrieva miestnosť na požadovanú teplotu. Optimálna prevádzková teplota okolia pre modely chladenia aj vykurovania je 5-43°C. (Poznámka! Tento režim je k dispozícii len pri modeli AC s funkciou Duo/vykurovanie.)

**Režim odvlhčovania:** Znižuje vlhkosť v miestnosti.

**Režim ventilátora:** Cirkuluje vzduch v miestnosti bez chladenia.

**NÁVOD NA OBSLUHU****ČASTI VÝROBKU (POZRI OBRÁZOK A A B)**

1. Okno pre príjem diaľkového ovládania
2. Ovládací panel
3. Výstup vzduchu
4. Kolesá
5. Horná zostava filtra zadného panelu
6. Držiaky na navíjanie káblov
7. Zostava spodného filtra zadného panelu
8. Kryt odtoku
9. Priehradka na diaľkové ovládanie
10. Prívod vzduchu
11. Výstup vzduchu
12. Súpravy okien
13. Okrúhla spojka výfukovej hadice
14. Výfuková hadica
15. Adaptér na výfukovú hadicu

**OVLÁDACÍ PANEL (POZRI VYŠŠIE ALEBO OBRÁZOK C)**

1. Tlačidlo časovača
2. Tlačidlo rýchlosti ventilátora
3. Tlačidlo nahor
4. Tlačidlo nadol
5. Tlačidlo režimu
6. Tlačidlo napájania
7. Indikátor režimu chladenia
8. Indikátor režimu vykurovania (POZNÁMKA! Tento symbol je k dispozícii len na modeli AC funkciou Duo/vykurovanie.)
9. režimu odvlhčovania
10. Indikátor režimu ventilátora
11. Indikátor plnej vody
12. Indikátor režimu spánku
13. Indikátor rýchlosti ventilátora
14. Indikátor Wi-Fi. (POZNÁMKA! Tento symbol je k dispozícii len na modeli AC s funkciou Wi-Fi/Smart Home.)

**PRACOVNÉ REŽIMY A FUNKCIE OVLÁDACIEHO PANELA (POZRI OBRÁZOK C)**

**Tlačidlo napájania (6):** Stlačením tohto tlačidla sa jednotka aktivuje; zaznie melodický zvuk a jednotka automaticky prejde do režimu chladenia s prednastavenou teplotou 24° C. Ventilátor bude pracovať pri stredných otáčkach.

Ak chcete jednotku deaktivovať, stlačte toto tlačidlo znova a melodický zvuk bude signalizovať jej vypnutie.

1. Keď je jednotka zapnutá, v okne LCD sa zobrazí nastavená teplota v režime chladenia a vykurovania (POZNÁMKA! Symbol vykurovania je k dispozícii len na modeli AC funkciou Duo/Heating) alebo teplota okolia v režime odvlhčovania, režime ventilátora. Ventilátor sa spustí a okno na výstupe vzduchu sa automaticky otvorí.

2. Všetky časti prestanú pracovať, keď je jednotka vypnutá, a okno na výstup vzduchu sa automaticky zatvorí.

POZNÁMKA! Po vypnutí stroja bude ventilátor ešte krátky čas pracovať.

**Tlačidlo režimu (5):** Stlačením tlačidla "Mode" (Režim) môžete prechádzať dostupné režimy na potvrdenie.

**Režim chladenia (7):** Ochladí miestnosť na nastavenú teplotu.

**Režim vykurovania (8):** Vyhrieva miestnosť na nastavenú teplotu. (POZNÁMKA! Tento režim je k dispozícii len pri modeli AC s funkciou Duo/vykurovanie.)

**Režim odvlhčovania (9):** Znižuje vlhkosť v miestnosti.

**Režim ventilátora (10):** Cirkuluje a čistí vzduch v miestnosti bez chladenia.

**Tlačidlo nadol (4):** Kliknutím znížite nastavenú teplotu alebo ju nastavte smerom nadol.

**Tlačidlo nahor (3):** Kliknutím na tlačidlo nastavíte nastavenú teplotu smerom nahor.

Tlačidlo rýchlosti ventilátora (2): Stlačením tlačidla rýchlosti ventilátora môžete zvoliť vysokú, strednú alebo nízku rýchlosť ventilátora.

POZNÁMKA! V režimoch odvlhčovania a spánku nie je možné nastaviť rýchlosť ventilátora.

**Časovač (1):** Stlačte raz, aby ste aktivovali funkciu časovača. Stlačením tlačidla + alebo - nastavte počet hodín (1-24). Keď displej prestane blikať, časovač je nastavený. Pre deaktiváciu stlačte tlačidlo časovača 2 krát.

**FUNKCIE PRI KOMBINÁCIÍ TLAČIDIEL (POZRI OBRÁZOK C)**

**Funkcia spánku (12):** Súčasným stlačením tlačidla TIMER (1) a tlačidla Up (3) spustíte alebo zrušíte funkciu SLEEP. Upozorňujeme, že vo funkcii Sleep nie je možné nastaviť rýchlosť ventilátora.

- Ak je v režime chladenia aktivovaná funkcia Sleep, po 2 hodinách zvýši

nastavenú teplotu o 1° C a po ďalších 2 hodinách ju zvýši o ďalší 1° C, pričom udržiava prevádzku na tejto teplote.

- Ak je v režime vykurovania aktivovaná funkcia spánku (dostupná len v modeli AC s funkciou Duo/vykurovanie), po 2 hodinách zníži nastavenú teplotu o 1° Potom ju po ďalších 2 hodinách zníži o ďalších 1° C a následne pracuje pri tejto teplote. **POZNÁMKA!** Funkcia spánku bude neúčinná v režime ventilátora, v režime odvlhčovania.

**Funkcia Auto Swing:** Funkciu Auto-Swing aktivujete alebo deaktivujete súčasným stlačením tlačidla TIM-ER (1) a tlačidla Fan speed (2).

#### FUNKCIA WIFI (14):

(Platí len pre model AC s funkciou WiFi/Smart Home.)



1. Stiahnite si aplikáciu Wood's Connect z App Store alebo Google Play.

2. Zaregistrujte sa a postupujte podľa pokynov. Prijmite všetky kroky. (Pozorne si prečítajte Zásady ochrany osobných údajov a ak súhlasíte s dohodami, klepnite na súhlasím dole a pokračujte.)

3. Otvorte aplikáciu Wood's Connect a na domovskej obrazovke stlačte tlačidlo "pridať zariadenie".

4. Do režimu párovania vstúpite stlačením a podržaním tlačidla TIMER (1) na jednotke na 3 sekúnd, aby sa na displeji rýchlo rozblíkala ikona Wi-Fi.

5. Keď na obrazovke objavíte zariadenie, stlačte tlačidlo pridať. Model môžete vybrať aj manuálne.

6. Vyplňte nastavenia Wi-Fi a heslo a stlačte tlačidlo Ďalej.

7. Stlačením tlačidla + pridáte jednotku.

8. Počkajte, kým sa jednotka pridá, a potom stlačte tlačidlo Hotovo.

Ak chcete odpojiť funkciu Wi-Fi, stlačte tlačidlo TIMER (1) na prístroji na 3 sekúnd.

#### PREVÁDZKOVÉ REŽIMY DIALKOVÉHO OVLÁDANIA (POZRI OBRÁZOK D)

**Výkon (1):** Stlačením tohto tlačidla spustíte jednotku, keď je pod napätím, alebo zastavíte jednotku, keď je v prevádzke.

**Tlačidlo režimu (2):** Stlačením tohto tlačidla vyberte prevádzkový režim.

**Tlačidlo nahor (4):** Stlačením tlačidla nahor zvýšite teplotu v miestnosti a nastavenie

časovača.

**Tlačidlo nadol (5):** Stlačením tlačidla nadol znížite teplotu v miestnosti a nastavenie časovača.

**Tlačidlo ventilátora (6):** Stlačte toto tlačidlo na výber rýchlosti ventilátora: Nízka, Stredná, Vysoká.

**Tlačidlo Auto Swing (7):** Stlačením tohto tlačidla zapnete alebo vypnete funkciu automatického hojda-nia.

**Tlačidlo spánku (8):** Stlačením tohto tlačidla zvolíte alebo zrušíte režim spánku (účinný len pri prevádzke chladenia alebo vykurovania)

**Tlačidlo časovača (3):** Nastavte funkciu AUTO-ON v pohotovostnom stave a AUTO-OFF, keď je zariadenie v prevádzke. Čas je možné nastaviť v rozsahu 1-24 hodín. Ak chcete časovač vypnúť, stlačte tlačidlo časovača a nastavte časovač na "0".

Pred použitím diaľkového ovládania batérie AAA podľa nasledujúcich krokov: (POZRI OBRÁZOK D)

1. Posuňte a opatrne odstráňte kryt batérie, ktorý sa nachádza na zadnej strane diaľkového ovládača.

2. Vložte dve nové alkalické batérie AAA do určeného priestoru pre batérie a dbajte na správnu polaritu.

3. Znovu nasadte kryt batérie a uistite sa, že poistka bezpečne zapadla na svoje miesto.

POZOR!

- Používajte len alkalické batérie. Nepoužívajte nabíjateľné batérie.

- Obe batérie vždy vymeňte za nové; nemiešajte staré a nové batérie.

- Ak klimatizáciu nebudete dlhší čas používať, vyberte z diaľkového batérie.

#### UKLADANIE DIALKOVÉHO OVLÁDANIA (POZRI OBRÁZOK E)

Vložte diaľkový ovládač do zabudovanej priehradky na zadnej strane prístroja.

**POZNÁMKA!** Aby ste predišli strate diaľkového ovládača, odložte ho do úložného priestoru, keď ho nepoužívate.

**UPOZORNENIE:** V prípade vytečenia batérie na pokožku alebo odev postihnute miesto okamžite dôkladne umyte čistou vodou. Ak sa objavia akékoľvek stopy po úniku batérie, diaľkový nepoužívajte. V prípade požitia kvapaliny z batérie okamžite vyhľadajte lekársku pomoc.

Chemikálie obsiahnuté v batériách môžu predstavovať riziká, ako sú popáleniny a iné zdravotné riziká.

## INŠTALÁCIA

PRED PRVÝM POUŽITÍM

Pred prevádzkou nechajte prístroj stáť 4 hodiny vo vzpriamenej polohe.

Táto klimatizácia je navrhnutá na pohodlné

premiestnenie v interiéri. Zabezpečte, aby jednotka zostala pri premiestňovaní vo vzpriamenej polohe. Klimatizačnú jednotku umiestnite na rovný povrch. Túto klimatizáciu neinštalujte ani neprevádzkujte v kúpeľniach alebo iných vlhkých priestoroch.

#### DÔLEŽITÉ INFORMÁCIE PRED INŠTALÁCIOU VZDUCHOVEJ HADICE

Počas prevádzky udržiavajte hadicu čo najkratšiu a s čo najmenším počtom ohybov, aby ste minimalizovali pokles tlaku a stratu kapacity.

Výfuková hadica musí zostať hladká, aby sa zabránilo prehriatiu a možnému poškodeniu klimatizácie. Hadica má dĺžku 280 mm - 1500 mm. Vyhnite sa predĺženiu hadice alebo jej výmene za inú hadicu, čo môže ovplyvniť prevádzku.

#### MONTÁŽ HADICE A JEJ ADAPTÉRA. (POZRI OBRÁZOK F)

1. Odstráňte plastové vrečko tak, že z obalu vyberiete výfukovú hadicu, jej konektor a adaptér.

2. Vysuňte jeden koniec výfukovej hadice a pripojte okrúhly konektor otáčaním proti smeru hodinových ručičiek minimálne na tri otáčky.

3. Predĺžte druhý koniec výfukovej hadice a pripevnite adaptér otáčaním proti smeru hodinových ručičiek najmenej na tri otáčky.

4. Umiestnite predný koniec hadice na určený zárez výstupu výfukového vzduchu, ktorý sa nachádza na zadnom paneli. Upevňovacie prvky bezpečne zaistia zostavu výfukovej hadice na mieste.

5. Nainštalujte hadicu na odvod vzduchu na jednotku.

**UPOZORNENIE!** Dbajte na správnu orientáciu šikmej strany adaptéra, aby ste mohli ľahko namontovať dosku s tesnením okna.

Dbajte na bezpečné a dobre umiestnené pripojenie výfukovej hadice.

#### MONTÁŽ TESNIACEJ DOSKY OKNA (POZRI OBRÁZOK G)

1. Nainštalujte obdĺžnikový koniec hadice do príslušných obdĺžnikových otvorov v zostave okenného tesnenia a upevnite ho pomocou skrutky.

POZOR!

- Posuňte adaptéry smerom nadol a uistite sa, že sú bezpečne nainštalované.

- Skontrolujte, či je smer šikmého panelu v súlade so smerom tesniacej dosky.

- Uistite sa, že je hadica čo najrovnejšia, aby sa zabezpečilo dostatočné vetranie.

2. Otvorte okno do polovice a vložte tesniacu dosku do okna, pričom ju umiestnite vertikálne alebo hori-zontálne.

3. Roztiahnite časti tesniacej dosky a nastavte ich tak, aby zodpovedali dĺžke okna.

Uistite sa, že sa oba konce stretávajú s okrajmi okna, a upevnite ho na mieste pomocou skrutiek.

**UPOZORNENIE!** Skontrolujte, či sa obidva konce tesniaceho plechu okna účinne dotýkajú okrajov okna, aby bolo správne utesnené.

Uistite sa, že sú skrutky pevne dotiahnuté v správnej polohe.

4. Jednotku premiestňujte s hadicou namontovanou pred oknom a udržiavajte ju vo vzdialenosti najmenej 50 cm od stien alebo iných predmetov

#### ZAPNITE JEDNOTKU

Ak chcete zariadenie napájať, zapojte ho do zásuvky.

Jednotka je teraz pripravená na použitie!

#### ÚDRŽBA

**UPOZORNENIE!** Pred údržbou vypnite zariadenie a vytiahnite zástrčku zo zásuvky.

#### INŠTRUKCIE NA ODVODNENIE (POZRI OBRÁZOK H)

Väčšina vody sa prirodzene odvedie cez výfukovú hadicu spolu s horúcim vzduchom.

Ak je potrebné nádrž vyprázdiť, zariadenie vás na to upozorní. (ODKAZ NA OBRÁZOK C, indikátor plnej nádrže)

Vyprázdenie nádrže na vodu: Odskrutkujte vypúšťací kryt a odpojte zástrčku na vodu, aby voda mohla vytečť do zásobníka. **POZNÁMKA:**

V prípade potreby premiestnenia jednotky dbajte na opatrnosť, aby nedošlo k úniku. Počas vypúšťania vody jednotku mierne nakloňte dozadu. Ak vanička nedokáže pojať všetku vodu z prístroja, okamžite upchajte vypúšťací otvor, aby ste zabránili úniku vody a zabránili namočeniu podlahy alebo koberca. Uistite sa, že zátka na vodu a kryt odtoku sú pevne nainštalované, aby sa zabránilo zmáčaniu podlahy alebo koberca novou skondenovanou vodou pri opakovanom spustení jednotky.

Pripojenie vodnej hadice na priebežné vypúšťanie vody: Odskrutkujte vypúšťací kryt a vyberte vodnú zátku. Pripojte vodnú hadicu s vnútorným priemerom 12 mm k rúrke na jednotke. Druhý koniec vodnej hadice vyvedte do odtoku.

Uistite sa, že voda môže otekať smerom nadol.

**POZNÁMKA:** Ak v zásobníku nie je voda, musí byť nainštalovaná vypúšťacia hadica.

Odporúča sa nepoužívať nepretržité vypúšťanie vody, keď je jednotka v režime chladenia, aby sa zabezpečila dostatočná recyklácia vody v jednotke na zvýšenie chladiacich účinkov systému. Vypúšťaciu hadicu umiestnite na neprístupné miesto, dbajte na to, aby nebola umiestnená vyššie ako vypúšťací otvor, a udržiavajte vypúšťaciu hadicu rovnú bez ohybov. Ak sa

používa priebežné vypúšťanie, uistite sa, že je správne zaistený kryt vypúšťacej hadice a jej zátky.

#### VIACERO OCHRANNÝCH FUNKCIÍ

Automatické odmrazovanie: Prístroj sa v prípade potreby automaticky odmrazí. V režime rozmrazovania sa na displeji zobrazí D7 a okrem tlačidla POWER nie sú aktívne žiadne tlačidlá.

Ochrana kompresora: Jednotka má funkciu ochrany kompresora, spôsobuje 3-minútové oneskorenie štartu po opakovanom spustení jednotky.

Bezpečnostný alarm pri plnej vode a funkcia ochrany proti vypnutiu: Keď objem vody v šasi jednotky prekročí určenú úroveň alarmu, spustí sa automatické varovanie rozsvietením ikony plnej vody LCD dis-pleji. V tomto prípade je potrebné vypustiť skondenovanú vodu podľa pokynov uvedených v časti "Pokyny na vypúšťanie". Ak sa jednotka manuálne nevypne, po úplnom vypustení kondenzovanej vody sa automaticky vráti do pôvodného prevádzkového stavu. Prípadne opätovne pripojte napájanie, aby ste jednotku reštartovali.

#### ČISTENIE POVRCHU

- Povrch jednotky čistite vlhkou, mäkkou handričkou a nepoužívajte chemické rozpúšťadlá, ako je alko-hol a benzín, aby nedošlo k jej poškodeniu.

- Znečistený výstup vzduchu alebo žalúzie vyčistite vlhkou mäkkou handričkou a jemným čistiacim pros-triedkom.

- Na čistenie jednotky je zakázané akékoľvek chemické rozpúšťadlá alebo dlhodobo umiestňovať takéto veci do blízkosti jednotky.

- Na čistenie jednotky je zakázané používať akékoľvek riedidlo, alkoholový lesk alebo podobné rozpúšťadlá.

#### ČISTENIE UMÝVATEĽNÉHO FILTRA (POZRI OBRÁZOK I)

Filter je potrebné čistiť raz za dva týždne, aby sa zabránilo ovplyvneniu výkonu jednotky nahromadeným prachom. Filter ponorte a jemne umyte v teplej vode (približne 40° C) zmiešanej s neutrálnym čistiacim prostriedkom. Po vyčistení ho opäť namontujte na jednotku.

Vyčistite spodné filtre: Vytiahnite spodné filtre, potom vyberte zadný filter a vyčistite ho.

**UPOZORNENIE!** Filter vytiahnite opatrne, uprednostnite odstránenie filtra na zadnom paneli pred fil-trom na bočnom paneli, aby nedošlo k jeho prekrúteniu alebo poškodeniu. Dbajte na to, aby ste sieťku nepomáčali, a vyhýbajte sa úderom ostrými predmetmi alebo kefami do sieťky.

**POZNÁMKA!** Pred inštaláciou filtra na zadný sa uistite, že je filter nainštalovaný na bočnom paneli.

Filter nainštalujte v opačnom smere, ako bol odstránený.

#### SKLADOVANIE NA KONCI SEZÓN Y

1. Odskrutkujte vypúšťací kryt a odstráňte vodnú zátku, aby ste úplne vypustili skondenovanú vodu.

**POZNÁMKA:** Uhol sklonu jednotky musí byť ≤ 30 stupňov.

2. Zariadenie prevádzkujte pol v režime ventilátora, aby sa dôkladne vysušil interiér a zabránilo sa vzniku plesní.

3. Vypnite prístroj, odpojte ho zo zásuvky, oviňte napájací kábel okolo stĺpika navíjania kábla.

4. Odstráňte zostavu hadice na odvod tepla, vyčistite ju a riadne uložte.

**POZNÁMKA:** Pri demontáži držte zostavu výfukovej hadice oboma rukami.

5. Palcami odsuňte upevňovacie prvky na výstupe výfukového vzduchu a potom vytiahnite zostavu výfu-kovej hadice.

6. Klimatizáciu bezpečne zabalte do mäkkého plastového vrečka, umiestnite ju na suché miesto s vhod-nými protiprachovými opatreniami a uchovávajte ju mimo dosahu detí.

7. Vyberte batérie z diaľkového a riadne ich uložte.

**POZNÁMKA:** Zabezpečte, aby bola jednotka skladovaná v suchom prostredí. Všetko príslušenstvo jed-notky chráňte spoločne, aby nedošlo k jeho poškodeniu alebo znehodnoteniu.

lo k jeho poškodeniu alebo znehodnoteniu.

## ZÁRUKY

Dvojročná záruka na výrobné chyby. Upozorňujeme, že záruka je platná len po predložení dokladu o kúpe. **ULOŽTE SI ÚČTENKY!** Účtenky sa budú vyžadovať pri akejkoľvek reklamáci počas záručného obdobia.

#### ZÍSKAJTE PREDĹŽENÚ ZÁRUKU

Registráciou na stránke warranty-woods.com získate 3-ročnú záruku.

**UCHOVÁVAJTE SI ÚČTENKY!** Všetky účtenky sa budú vyžadovať pri akejkoľvek reklamáci počas záručného obdobia.



## RIEŠENIE PROBLÉMOV

Skôr ako požiadate o odborný servis, skontrolujte jednotku a postupujte podľa nižšie uvedených odporúčaní. Nikdy sa však nepokúšajte jednotku demontovať alebo opravovať sami, pretože by to mohlo spôsobiť škodu vám a vášmu majetku. Ak sa vyskytnú problémy, ktoré nie sú uvedené v tabuľke, alebo odporúčané riešenia nefungujú, obráťte sa na odbornú servisnú organizáciu.

PROBLÉMY	PRÍČINA	NÁPRAVA
Jednotka sa nespustí.	Výpadok napájania.	Pripojte jednotku k zásuvke pod napätím a zapnite ju.
	Plná nádrž na vodu s príslušnou svietiacou ikonou.	Vypustite vodu uloženú v jednotke.
	Teplota v miestnosti je nižšia ako nastavená teplota v režime chladenia alebo vyššia teplota v režime vykurovania.	Zabezpečte, aby jednotka pracovala v odporúčanom teplotnom rozsahu. Nastavte nastavenú teplotu.
Nedostatočné chladenie.	Je tam priame slnečné svetlo.	Zatiahnite záves na okne.
	Dvere a okná sú otvorené, miestnosť je preplnená alebo sú v nej iné zdroje tepla.	Zatvorte dvere a okná, odstráňte iné zdroje tepla a zvážte prídanie ďalších klimatizačných zariadení.
	Znečistený filter.	Vyčistite alebo vymeňte sieťku filtra.
	Prívod alebo výstup vzduchu je upchatý.	Odstráňte všetky prekážky.
Vysoká hladina hluku.	Jednotka je umiestnená na nerovnom povrchu.	Jednotku umiestnite na rovné a pevné miesto (môže znížiť hluk)
Kompresor nefunguje.	Spustenie ochrany proti prehriatiu.	Počkajte, kým sa teplota zníži, jednotka sa automaticky reštartuje
Diaľkové ovládanie nefunguje.	Príliš veľká vzdialenosť medzi jednotkou a diaľkovým ovládaním.	Priblížte diaľkový ovládač ku klimatizačnému zariadeniu a zabezpečte prívod vzduchu na receptor signálu na jednotke.
	Diaľkové ovládanie nie je nasmerované na prijímač signálu na jednotke.	
	Batérie sú vyčerpané.	Výmena batérií
Zobrazí sa kód "D7 alebo E4".	Ochrana proti zamrznutiu.	Funkcie sa obnovia automaticky po skončení ochrany proti zamrznutiu.
Zobrazí sa kód "FL".	Nádrž na vodu v podvozku je plná.	Vypustite kondenzát a znovu spustite jednotku.

## TECHNICKÁ ŠPECIFIKÁCIA

MODEL Č.	CORTINA XL 14K WIFI	CORTINA XL 14K DUO WIFI	CORTINA XL 18K WIFI	CORTINA XL 18K DUO WIFI
Chladiaci výkon	3900W	3900W	5000W	5000W
Vykurovací výkon	N/A	3500W	N/A	4000W
Spotreba energie v režime chladenia	1490W	1490W	1750W	1750W
Spotreba energie v režime vykurovania	N/A	1350W	N/A	1500W
Prúdenie vzduchu	400m <sup>3</sup> /h	400m <sup>3</sup> /h	480m <sup>3</sup> /h	480m <sup>3</sup> /h
Energetická trieda	A	A	A	A
Odvlhčovanie	38L/D	38L/D	70L/D	70L/D
Nastavenie teploty	17-30°C	17-30°C	17-30°C	17-30°C
Pracovná teplota	17-43°C	5-43°C	17-43°C	5-43°C
EER v režime chladenia	2,6	2,6	2,6	2,6
Dĺžky hadíc	1.5M	1.5M	1.5M	1.5M
Chladiaci plyn	R290/285g	R290/285g	R290/295g	R290/295g
Hladina hluku v režime chladenia (LWA) (dB(A))	60-64 dB	60-64 dB	60-64 dB	60-64 dB
Hladina hluku v režime chladenia (LPA) (dB(A))	48-53 dB	48-53 dB	48-53 dB	48-53 dB
Čistá hmotnosť	31.5kg	33kg	27.3kg	28.3kg
Rozmery zariadenia (V × Š × H)	770×440×410mm	770×440×410mm	770×440×410mm	770×440×410mm

**Môže dôjsť k technickým zmenám a vylepšeniam. Všetky hodnoty sú približné a môžu sa líšiť v závislosti od vonkajších okolností, ako je teplota, vetranie a vlhkosť.**

**Poznámka: Ochrana životného prostredia a likvidácia**

- Spotrebiteľ je zo zákona povinný riadne zlikvidovať elektronické zariadenia, svetelné zdroje a batérie po skončení ich životnosti.
- Môžete ich bezplatne odovzdať na verejných zberných miestach alebo u predajcov.
- Za vymazanie osobných údajov je zodpovedný spotrebiteľ.
- Osvetľovacie telesá a batérie, ktoré sa dajú bezpečne vybrať a nie sú trvalo nainštalované, sa musia vopred vybrať na osobitnú likvidáciu.
- Národné právo upravuje podrobnosti o likvidácii v súlade s právnymi predpismi.
- Prečiarknuté označenie koša na odpady označuje elektrospotrebiče a batérie, ktoré sa po skončení ich životnosti v žiadnom prípade nesmú likvidovať spolu s domovým odpadom.
- Symbole pod odpadkovým košom označujú všetky obsiahnuté látky (olovo = Pb, ortuť = Hg, kadmium = Cd).
- Toto rozdelenie je potrebné, pretože batérie a elektrické spotrebiče sú cenné zdroje a zároveň obsahujú látky, ktoré sú škodlivé pre ľudí a životné prostredie.
- Recykláciou, zberom a opätovným používaním batérií a elektrických zariadení vhodných na tento účel prispievate k zachovaniu a ochrane životného prostredia a ľudského zdravia.

**GYÚLÉKONY ANYAG.**

Ez a készülék R290/propán gyúlékony hűtőanyagot tartalmaz.



Olvasd el a kezelési útmutatót.



Olvasd el a műszaki kézikönyvet.



Olvasd el a kezelési útmutatót.

**BIZTONSÁGI INFORMÁCIÓK**

Mielőtt telepítené és használná a készüléket, gondosan olvassa el a mellékelt utasításokat. A gyártó nem vállal felelősséget a helytelen telepítés és használatból eredő sérülésekért és károkért. Mindig tartsa meg az utasításokat a készülékhez, hogy később hivatkozhasson rájuk.

**GYERMEKEK ÉS VESZÉLYEZTETETT SZEMÉLYEK BIZTONSÁGA****FIGYELMEZTETÉS**

Sérülés vagy tartós fogyatékossg kockázata.

Ezt a készüléket 8 évesnél idősebb gyermekek, csökkent fizikai, érzékelési vagy szellemi képességekkel rendelkező személyek vagy tapasztalat és ismeret hiányában is használhatják, ha felügyeletet vagy utasítást kaptak a készülék biztonságos használatával kapcsolatban, és megértik a vele járó veszélyeket. Ne engedje, hogy a gyermekek játszanak a készülékkel.

Három évnél fiatalabb gyermekeket folyamatos felügyelet nélkül kell tartani.

Tartsa távol a csomagolást a gyermekektől. A tisztítást és a felhasználói karbantartást csak felügyelet nélküli gyermekek ne végezzék.

**ÁLTALÁNOS BIZTONSÁG**

Ezt a készüléket háztartásokban és hasonló környezetben, például üzletekben, irodákban és más munkakörnyezetekben való használatra szánták. A készülék oldalán vagy hátulján található a címtábla. Tartsa szabadon a szellőzőnyílásokat.

A gyártó által nem ajánlott mechanikus eszközöket vagy más módszereket ne használjon a leolvasztási folyamat felgyorsítására. A készüléket ne tárolja olyan helyiségben, ahol folyamatosan működnek gyújtóforrások (nyílt lángok, gázkészülékek, elektromos fűtőberendezések stb.). Ne szúrja át vagy égesse meg. Tartsa szem előtt, hogy a hűtőközegeknek lehet, hogy nincs szaga. Ne használjon vízsugarat és gőzt a készülék tisztítására. A készüléket tisztítsa meg nedves, puha ruhával. Csak semleges tisztítószerrel használjon. Ne használjon súroló termékeket, súroló tisztítópárnákat, oldószereket vagy fém tárgyakat. Ha a hálózati kábel sérült, azt a gyártónak, az engedélyezett szervizközpontnak vagy hasonlóan képzett személynek kell kicserélnie, hogy elkerülje a veszélyt.

**BIZTONSÁGI UTASÍTÁSOK****FIGYELMEZTETÉS**

Csak képzett személy szerelheti fel ezt a készüléket.

Távolítsa el az összes csomagolóanyagot. Ne telepítse vagy használjon sérült készüléket. A készüléket olyan helyiségben kell telepíteni, üzemeltetni és tárolni, amelynek alapterülete nagyobb, mint 14 m<sup>2</sup>. Szigorúan tartsa be a készülékkel szállított telepítési utasítást. Mindig legyen óvatos, amikor mozgatja a készüléket, mert nehéz. Mindig viseljen biztonsági kesztyűt.

Győződjön meg arról, hogy a környezetben keringhet a levegő a készülék körül. Várjon legalább 4 órát, mielőtt csatlakoztatná a készüléket az elektromos hálózathoz. Ez azért szükséges, hogy az olaj visszafolyhasson a kompresszorba. Ne telepítse a készüléket radiátorok vagy más hőforrások közelébe. Ne telepítse a készüléket közvetlen napsütésbe.

**ELEKTROMOS CSATLAKOZÁS****FIGYELMEZTETÉS**

Tűz- és áramütés veszélye.

A készüléket földelt csatlakozóaljzathoz kell csatlakoztatni. Győződjön meg arról, hogy a névjegy címken található elektromos információ megfelel az áramforrásnak. Ha nem, forduljon egy villanyszerelőhöz. Mindig használjon megfelelően felszerelt ütészálló aljzatot. Ne használjon többszörös dugaljzat és hosszabbítókábel. Győződjön meg róla, hogy nem okoz kárt az elektromos alkatrészekben (pl. dugó, kábel). Forduljon az engedélyezett szervizközponthoz vagy villanyszerelőhöz, hogy megváltoztassa az elektromos alkatrészeket. A kábelnek a dugó szintje alatt kell lennie. A dugót csak a telepítés végén csatlakoztassa a konnektorhoz. Győződjön meg arról, hogy a telepítés után hozzáférhető a dugóhoz. Ne húzza ki a hálózati kábelt a készülék kikapcsolásához. Mindig csak a dugóból húzza ki a hálózati kábelt.

**HASZNÁLAT****FIGYELMEZTETÉS**

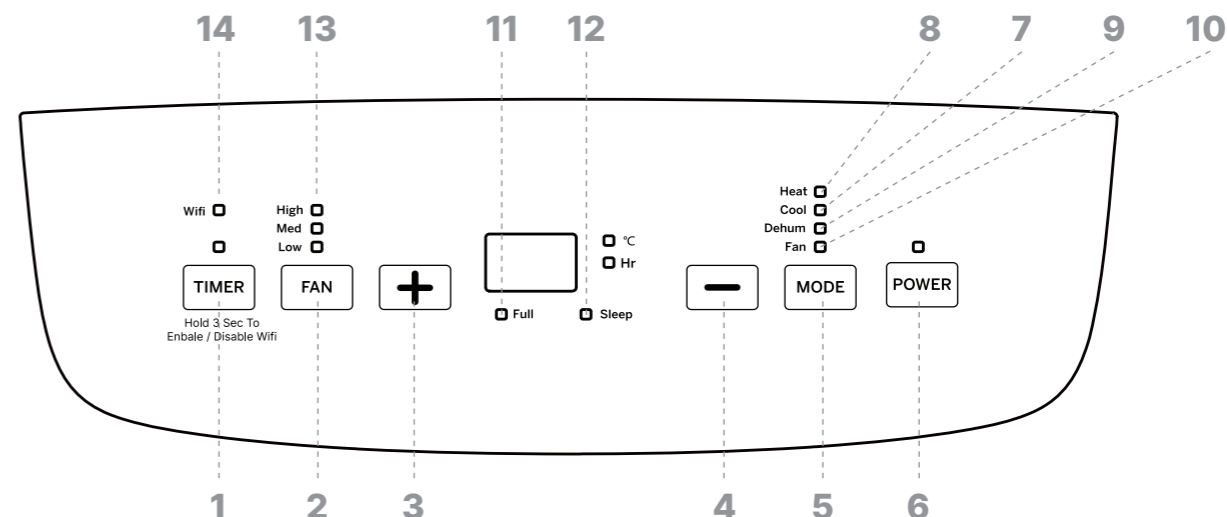
Sérülés, égés, áramütés vagy tűzveszély.

Ne változtassa meg a készülék műszaki adatait. Ügyeljen arra, hogy ne okozzon kárt a hűtőkör rendszerben. Ez a gázpropán (R290), egy természetes gáz magas szintű környezeti kompatibilitással. Ez a gáz gyúlékony. Ha károsodás történik a hűtőkör rendszerben, győződjön meg arról, hogy nincsenek lángok és gyújtóforrások a helyiségben. Szellőztesse ki a helyiséget. Ne helyezzen gyúlékony termékeket vagy nedves tárgyakat gyúlékony anyagokkal a készülék közelébe vagy rá.

**HULLADÉKKEZELÉS****FIGYELMEZTETÉS**

Sérülésveszély.

Húzza ki a készüléket a hálózati tápellátásból. Vágja le a hálózati kábelt és dobja el. Ez a készülék környezetbarát hűtőkör rendszerrel rendelkezik. Tájékozódjon a helyi hatóságnál arról, hogyan kell megfelelően eltávolítani a készüléket. Ne okozzon kárt a hűtőegység közelében lévő részeknek.



Köszönjük a vásárlását és a Wood's-ba vetett bizalmát. Ez a kézikönyv megismerteti Önt az AC Cortina XL működési módjaival.

**Hűtési mód:** A helyiséget a kívánt hőmérsékletre hűti. A hűtő modellek optimális üzemi környezeti hőmérséklete 17-43°C.

**Fűtési mód:** A helyiséget a kívánt hőmérsékletre fűti. Az optimális működési környezeti hőmérséklet mind a hűtő, mind a fűtő modellek esetében 5-43°C. (Megjegyzés! Ez az üzemmód csak a Duo/fűtés funkcióval ellátott AC modellnél érhető el.)

**Páratlanítási mód:** Csökkenti a helyiség páratartalmát.

**Ventilátor üzemmód:** Keringeti a levegőt a helyiségben hűtés nélkül.

**HASZNÁLATI UTASÍTÁS****A TERMÉK ALKATRÉSZEI (LÁSD AZ A ÉS B KÉPET)**

- Távírányító fogadóablak
- Vezérlőpanel
- Levegő kimenet
- Kerekek
- A hátsó panel felső szűrőszerevénye
- Kábeltekerceselő konzolok
- A hátsó panel alsó szűrőszerevénye
- Lefolyófedél
- Távírányító rekesz
- Légbeömlőnyílás
- Levegő kimenet
- Ablak készletek
- A kipufogócső kerek csatlakozója
- Kipufogócső
- Adapter a kipufogócsőhöz

**VEZÉRLŐPANEL (LÁSD FENT VAGY A C KÉPET)**

- Időzítő gomb
- Ventilátor sebesség gomb
- Fel gomb
- Le gomb
- Mód gomb
- Bekapcsológomb
- Hűtési mód kijelző
- Fűtési üzemmód jelző (MEGJEGYZÉS! Ez a szimbólum csak a Duo/fűtés funkcióval rendelkező AC modellnél érhető el.)
- Páramentesítő üzemmód
- Ventilátor üzemmód jelző
- Víz tele jelzés
- Alvó üzemmód kijelző
- A ventilátor sebességének kijelzője
- Wi-Fi jelző. (MEGJEGYZÉS! Ez a szimbólum csak a Wi-Fi/Smart Home funkcióval rendelkező AC modellnél érhető el.)

**MUNKAMÓDOK ÉS A KEZELŐPANEL FUNKCIÓI (LÁSD A C KÉPET)**

**Bekapcsológomb (6):** Ezt a gombot megnyomva aktiválja a készüléket; egy dallamos hang szólal meg, és a készülék automatikusan hűtő üzemmódba lép 24°C előre beállított hőmérsékleten. A ventilátor közepes sebességgel fog működni.

A készülék kikapcsolásához nyomja meg újra ezt a gombot, és egy dallamos hang jelzi a készülék kikapcsolását.

1. Amikor a készülék be van kapcsolva, az LCD-ablakon megjelenik a beállított hőmérséklet a Hűtés üzemmódban és a Fűtés üzemmódban (MEGJEGYZÉS! A Fűtés szimbólum csak a Duo/Fűtés funkcióval rendelkező AC modellnél érhető el) vagy a környezeti hőmérséklet páramentesítő üzemmódban, ventilátor üzemmódban. A ventilátor elindul, és a légkivezető ablak automatikusan kinyílik.

2. A készülék kikapcsolt állapotában minden alkatrész leáll, és a szellőzőablak automatikusan bezáródik.

MEGJEGYZÉS! A ventilátor a gép kikapcsolása után rövid ideig tovább működik.

**Mód gomb (5):** Nyomja meg a "Mode" gombot a megerősítéshez rendelkezésre álló üzemmódok váltogatásához.

**Hűtési mód (7):** A helyiséget a beállított hőmérsékletre hűti.

**Fűtési üzemmód (8):** A helyiséget a beállított hőmérsékletre fűti. (MEGJEGYZÉS! Ez az üzemmód csak a Duo/fűtés funkcióval ellátott AC modellnél érhető el.)

**Páramentesítő üzemmód (9):** Csökkenti a helyiség páratartalmát.

**Ventilátor üzemmód (10):** Keringeti és tisztítja a helyiség levegőjét hűtés nélkül.

**Lefelé gomb (4):** Kattintson a gombra a beállított csökkentéséhez vagy lefelé történő beállításához.

**Fel gomb (3):** Kattintson a gombra a beállított hőmérséklet felfelé történő beállításához.

**Ventilátor sebesség gomb (2):** Nyomja meg a ventilátor sebességgombot a ventilátor sebességének magas, közepes vagy alacsony sebességre történő beállításához.

MEGJEGYZÉS! A ventilátor sebessége nem állítható a páratlanítás és az alvó üzemmódban.

**Időzítő (1):** Nyomja meg egyszer az időzítő funkció aktiválásához. Állítsa be az órák számát (1-24) a + vagy - gomb megnyomásával. Amikor a kijelző már nem villog, az időzítő be van állítva. A kikapcsoláshoz nyomja meg 2-szer az időzítő gombot.

**FUNKCIÓK A GOMBOK KOMBINÁLÁSÁKOR (LÁSD A C KÉPET)**

**Alvási funkció (12):** A SLEEP funkció

elindítása vagy megszüntetése a TIMER gomb (1) és a Fel gomb (3) egyidejű megnyomásával. Felhívjuk a figyelmet arra, hogy a ventilátor sebessége nem állítható Sleep funkcióban.

- Ha az Alvó funkciót hűtési üzemmódban aktiválja, akkor 2 óra elteltével 1° megemeli a beállított hőmérsékletet, majd további 2 óra elteltével további 1° megemeli, és ezen a hőmérsékleten tartja a működést.

- Ha a Fűtés üzemmódban aktiválódik az Alvás funkció (csak a Duo/fűtés funkcióval ellátott AC modellnél érhető el), akkor 2 óra elteltével 1° C-kal csökkenti a beállított hőmérsékletet. Ezután további 2 óra elteltével további 1° C-kal csökkenti azt, és ezután ezen a hőmérsékleten működik. MEGJEGYZÉS! Az alvó funkció ventilátor üzemmódban, páratlanítási üzemmódban nem lesz hatékony.

**Auto Swing funkció:** Aktiválja vagy deaktiválja az Auto-Swing funkciót a TIMER gomb (1) és a ventilátorsebesség gomb (2) egyidejű megnyomásával.

## WIFI FUNKCIÓ (14):

(Csak a WiFi/Smart Home funkcióval rendelkező AC modellre vonatkozik.)



1. Töltse le a Wood's Connect alkalmazást az App Store-ból vagy a Google Play-ről.

2. Regisztráljon és kövesse az utasításokat. Fogadja el az összes lépést. (Figyelmesen olvassa el az Adatvédelmi irányelveket, és ha elfogadja a megállapodásokat, a folytatáshoz koppintson a beleegyezés aljára).

3. Nyissa meg a Wood's Connect alkalmazást, és a kezdőképernyőn nyomja meg a "készülék hozzáadása" gombot.

4. A párosítási üzemmódba való belépéshez nyomja meg és tartva lenyomva a készülék TIMER (1) gombját 3 másodpercig, mire a kijelzőn a Wi-Fi ikon gyorsan villogni kezd.

5. Amikor felfedezi a készüléket a képernyőn, nyomja meg a hozzáadás gombot. A modellt kézzel is kiválaszthatja.

6. Adja meg a Wi-Fi beállításokat és a jelszót, majd nyomja meg a következő gombot.

7. Nyomja meg a + gombot az egység hozzáadásához.

8. Várja meg, amíg a készüléket hozzáadjuk, majd nyomja meg a done gombot.

A Wi-Fi funkció kikapcsolásához nyomja meg a készülék TIMER (1) gombját 3 másodpercig.

## TÁVIRÁNYÍTÓ MŰKÖDÉSI MÓDJAI (LÁSD A D KÉPET)

**Teljesítmény (1):** Ezt a gombot megnyomva indíthatja el a készüléket, ha az feszültség alatt van, vagy állíthatja le a készüléket, ha az működésben van.

**Mód gomb (2):** Nyomja meg ezt a gombot a működési mód kiválasztásához.

**Fel gomb (4):** Nyomja meg a felfelé gombot a szobahőmérséklet és az időzítő beállításának növeléséhez.

**Lefelé gomb (5):** Nyomja meg a lefelé gombot a szobahőmérséklet és az időzítő beállításának csökkentéséhez.

**Ventilátor gomb (6):** Ezt a gombot megnyomva kiválaszthatja a ventilátor sebességét: Alacsony, Közepes, Magas.

**Auto Swing gomb (7):** Nyomja meg ezt a gombot az automatikus swing funkció be- vagy kikapcsolásához.

**Alvás gomb (8):** Nyomja meg ezt a gombot az alvó üzemmód kiválasztásához vagy megszüntetéséhez (csak hűtési vagy fűtési üzemmódban működik).

**Időzítő gomb (3):** AUTO-ON funkció beállítása készenléti állapotban és AUTO-OFF funkció beállítása, amikor a készülék működik. Az idő 1-24 óra között állítható be. Az időzítő kikapcsolásához nyomja meg az időzítő gombot, és állítsa az időzítőt "0"-ra.

A távirányító használata előtt helyezze be az AAA elemeket az alábbi lépések szerint: (LÁSD A D KÉPET)

1. Csúsztassa el és óvatosan távolítsa el a távirányító hátulján található elemfedelet.

2. Helyezzen be két új AAA alkáli elemet a kijelölt elemtartóba, ügyelve a helyes polarításra.

3. Illessze vissza az akkumulátorfedelet, és győződjön meg arról, hogy a reteszelő fül biztosan a helyére kattant.

MEGJEGYZÉS!

- Csak alkáli elemeket használjon. Ne használjon újratölthető elemeket.

- Mindig cserélje ki mindkét akkumulátort újakra; ne keverje össze a régieket és az újat.

- Vegye ki az elemeket a távirányítóból, ha a légkondicionálót hosszabb ideig nem használja.

## TÁVIRÁNYÍTÓ TÁROLÁSA (LÁSD AZ E KÉPET)

Helyezze a távirányítót a készülék hátoldalán található beépített rekeszbe.

MEGJEGYZÉS! A távirányító elvesztésének elkerülése érdekében, kérjük, tegye a tárolóhelyre, amikor nem használja.

FIGYELMEZTETÉS: Ha az akkumulátor a bőrre vagy a ruházatára szivárog, azonnal

mossa le az érintett területet alaposan tiszta vízzel. Ne használja a távirányítót, ha az elem szivárgásának bármilyen nyoma van. Az akkumulátor folyadékának lenyelése esetén azonnal forduljon orvoshoz.

Az akkumulátorokban lévő vegyi anyagok veszélyt jelenthetnek, például égési sérüléseket és egyéb egészségügyi kockázatokat.

## BEÁLLÍTÁS

### AZ ELSŐ HASZNÁLAT ELŐTT

Működés előtt hagyja a készüléket 4 órán át függőlegesen állni.

Ezt a légkondicionálót a kényelmes beltéri áthelyezéshez tervezték. Ügyeljen arra, hogy a mozgatás közben függőlegesen maradjon. Helyezze a légkondicionálót sík felületre. Ne telepítse vagy üzemeltesse ezt a légkondicionálót fürdőszobában vagy más nedves környezetben.

### FONTOS INFORMÁCIÓK A LÉGTÖMLŐ FELSZERELÉSE ELŐTT

Üzemelés közben tartsa a tömlőt minél rövidebb és minél kevesebb kanyarral, hogy a nyomásesés és a kapacitásveszteség minimálisra csökkenjen.

A kipufogócsőnek sima kell maradnia, hogy elkerülje a túlmelegedést és a légkondicionáló esetleges károsodását. tömlő hossza 280 mm-1500 mm. Kerülje a tömlő meghosszabbítását vagy más tömlőre cserélését, mert ez befolyásolhatja a működést.

### A KIPUFOGÓCSŐ SZERELVÉNY ÉS ADAPTERÉNEK FELSZERELÉSE. (LÁSD AZ F KÉPET)

1. Vegye ki a műanyag zacskót úgy, hogy kiveszi a kipufogótömlőt, annak csatlakozóját és az adaptert a csomagolásból.

2. Húzza ki a kipufogótömlő egyik végét, és csatlakoztassa a kerek csatlakozót az óramutató járásával ellentétes irányban legalább három fordulaton keresztül.

3. Húzza ki a kipufogótömlő másik végét, és rögzítse az adaptert az óramutató járásával ellentétes irányban legalább három fordulaton keresztül.

4. Helyezze a kipufogótömlő-szerelvény elülső végét a hátsó panelen található kipufogólevegő-nyílás kijelölt bevágására. A rögzítőelemek biztonságosan rögzítik a kipufogótömlő-szerelvényt a helyén.

5. Szerelje fel a légelszívó tömlőt a készülékre.

MEGJEGYZÉS! Ügyeljen az adapter ferde oldalának helyes tájolására az ablakzáró lemez könnyű felszerelése érdekében.

Tartsa fenn a kipufogótömlő biztonságos és jól elhelyezett csatlakoztatását.

### AZ ABLAKTÖMÍTŐ LEMEZ FELSZERELÉSE (LÁSD A G KÉPET)

1. Szerelje be a tömlőszerelvény téglalap alakú végét az ablak tömítőlemez szerelvényének megfelelő téglalap alakú furataiba, és rögzítse csavarral.

MEGJEGYZÉS!

- Csúsztassa lefelé az adaptereket, és győződjön meg arról, hogy biztonságosan rögzítve vannak.

- Ellenőrizze, hogy a ferde panel iránya megegyezik-e a tömítőlemez irányával.

- A megfelelő szellőzés biztosítása érdekében győződjön meg arról, hogy a tömlő a legegyszerűbben.

2. Nyissa ki félig az ablakot, és helyezze be a tömítőlemezt az ablakba, függőlegesen vagy vízszintesen.

3. Húzza ki a tömítőlemez alkatrészeket, és igazítsa őket az ablak hosszának megfelelően.

Győződjön meg róla, hogy mindkét vége az ablakszélekkel találkozik, és csavarokkal rögzítse a helyére.

MEGJEGYZÉS! A megfelelő tömítés érdekében győződjön meg arról, hogy az ablaktömítő lemez mindkét vége hatékonyan találkozik az ablakszélekkel.

Győződjön meg róla, hogy a csavarok a megfelelő helyzetben vannak-e biztonságosan meghúzva.

4. A készüléket az ablak elé szerelt tömlővel mozgatja, és tartsa a készüléket legalább 50 cm távolságra a falaktól vagy más tárgytól

### KAPCSOLJA BE A KÉSZÜLÉKET

A készüléket a tápellátáshoz csatlakoztassa be.

A készülék most már használatra kész!

### KARBANTARTÁS

MEGJEGYZÉS! Karbantartás előtt kapcsolja ki a készüléket, és húzza ki a dugót.

### VÍZELVEZETÉSI UTASÍTÁS (LÁSD A H KÉPET)

A víz nagy része természetes módon távozik a kipufogócsővön keresztül a forró levegővel együtt.

Ha ki kell üríteni a tartályt, a készülék értesíti Önt. (Hivatkozzon a C. KÉPRE, TELJES kijelző)

A víztartály kiürítése: Csavarja le a leeresztőfedelet, és húzza ki a vízdugót, hogy a víz a tálcába folyhasson. MEGJEGYZÉS:

Legyen óvatos a szivárgás elkerülése érdekében, ha a készüléket mozgatni kell. A leürítés során döntse a készüléket kissé hátrafelé. Ha a tálcá nem képes a készülékből származó összes vizet felfogni, azonnal tömítse el a leeresztőnyílást, hogy megakadályozza a vízszivárgást,

és elkerülje a padló vagy a szőnyeg nedvesedését. Győződjön meg róla, hogy a vízdugó és a leeresztőfedél szorosan van felszerelve, hogy a készülék újraindításakor az új kondenzvíz ne nedvesítse a padlót vagy a szőnyeget.

Víz-tömlő csatlakoztatása a folyamatos vízvezetéshez: Csavarja le a leeresztőfedelet, és vegye ki a vízdugót. Csatlakoztasson egy 12 mm belső átmérőjű víztömlőt a készüléken lévő csőhöz. Vezesse a víztömlő másik végét a lefolyóba.

Győződjön meg arról, hogy a víz lefelé folyik.

MEGJEGYZÉS: Ha nincs víz a tálcában, akkor egy leeresztő tömlőt kell felszerelni.

Javasoljuk, hogy ne használjon folyamatos vízvezetést, amikor a készülék hűtési üzemmódban van, hogy elegendő víz kerüljön vissza készülékbe a rendszer fokozása érdekében. Helyezze a leeresztőtömlőt egy nehezen hozzáférhető helyre, ügyelve arra, hogy ne legyen a leeresztőnyílásnál magasabban elhelyezve, és a leeresztőtömlő legyen egyenes, kanyarodás . Folyamatos vízvezetés esetén gondoskodjon a leeresztőfedél és annak dugója megfelelő rögzítéséről.

### TÖBB VÉDELMI FUNKCIÓ

Automatikus leolvasztás: A készülék szükség esetén automatikusan leolvaszt. Leolvasztási üzemmódban a kijelzőn D7 jelenik meg, és a POWER gombon kívül egyetlen gomb sem aktív.

Kompresszorvédelem: A készülék kompresszorvédelmi funkcióval rendelkezik, amely készülék újraindítása után 3 perces indítási késleltetést okoz.

Vízzel teli biztonsági riasztás és elzárásvédelmi funkció: Amikor a vízmennyiség meghaladja a készülék alvázán belül a kijelölt riasztási , automatikus figyelmeztető riasztás lép életbe, amelyet az LCD kijelzőn a vízzel teli ikon világítása kísért. Ebben az esetben a kondenzvíz leeresztése a "Leeresztési utasítás" fejezetben megadott utasítások szerint. Ha a készüléket nem kapcsolják le manuálisan, akkor a készülék automatikusan visszatér az eredeti működési állapotába, amint a kondenzvíz teljesen leürült. Alternatív megoldásként a készülék újraindításához csatlakoztassa újra a tápellátást.

### FELÜLETTISZTÍTÁS

- A készülék felületét nedves, puha ruhával tisztítsa meg, és ne használjon kémiai oldószereket, például alkoholt és benzint, hogy elkerülje a károsodást.

- A szennyezett légkivezető nyílást vagy lamellákat nedves, puha ruhával és enyhe tisztítószerezrel tisztítsa meg.

- Tilos bármilyen kémiai oldószert használni a készülék tisztításához, vagy ilyen dolgokat hosszabb időre a készülék közelébe helyezni.

- A készülék tisztításához tilos bármilyen higítót, alkoholos lakot vagy hasonló oldószert használni.

### MOSHATÓ SZŰRŐ TISZTÍTÁSA (LÁSD I. KÉP)

A szűrő kéthetenkénti tisztítása elengedhetetlen, hogy a készülék teljesítményét ne befolyásolja a porfelhalmozódás. A szűrőt merítse be és óvatosan mossa ki langyos vízben (kb. 40° C), amelyet semleges tisztítószerezrel kevert. A tisztítás után szerelje vissza a készülékre.

Tisztítsa meg az alsó szűrőket: Húzza ki az alsó szűrőket, majd vegye ki a hátsó szűrőt, és tisztítsa meg.

MEGJEGYZÉS! Óvatosan húzza ki a szűrőt, a csavarodás vagy sérülés elkerülése érdekében a hátlapi szűrő eltávolítását az oldalsó szűrő elé helyezve. Legyen óvatos, hogy ne nyomja össze a hálót, és kerülje a háló éles tárgyakkal vagy kefékkel való ütközését.

MEGJEGYZÉS! Győződjön meg róla, hogy a szűrő az oldalsó panelre van felszerelve, mielőtt a szűrőt a hátlapra szerelné.

Szerelje be a szűrőt az eltávolítással ellentétes irányban.

### SEZON VÉGI TÁROLÁS

1. Csavarja le a leeresztőfedelet, és távolítsa el a vízdugót a kondenzvíz teljes leeresztéséhez.

MEGJEGYZÉS: A készülék dőlésszögének 30 fokosnak kell lennie .

2. Fél üzemeltesse a készüléket ventilátor üzemmódban, hogy a belső tér alaposan megszáradjon, és megakadályozza a penészesedés kialakulását.

3. Kapcsolja ki a készüléket, húzza ki a hálózati csatlakozót, tekerje a tápkábelt a vezetékterkereselő oszlop köré.

4. Vegye ki a hőelvezető tömlőegységet, tisztítsa meg és tárolja megfelelően.

MEGJEGYZÉS: A kipufogótömlő-szerelvényt mindkét kezével fogja meg a kiszerezéskor.

5. Nyomja félre a hüvelykujjával a kipufogólevegő kivezetésén lévő rögzítőket, majd húzza ki a kipufogótömlő-szerelvényt.

6. A légkondicionálót biztonságosan csomagolja be egy puha műanyag zacskóba, helyezze száraz, megfelelő porvédelmet biztosító helyre, és tartsa gyermekek elől elzárva.

7. Vegye ki az elemeket a távirányítóból, és tárolja azokat megfelelően.

MEGJEGYZÉS: Biztosítsa, hogy a készüléket száraz tárolja. A készülék összes tartozékát együttesen őrizze meg a sérülések vagy károsodások elkerülése érdekében.

## GARANCIÁK

Két év garancia a gyártási hibák ellen. Felhívjuk figyelmét, hogy a garancia csak a vásárlási bizonylat bemutatása esetén érvényes. **ŐRIZZE MEG A BLOKKOKAT!** A garanciaidőszak alatt bármilyen garanciális igény érvényesítéséhez szükség lesz a bizonylatokra.



## KITERJESZTETT GARANCIA

A warranty-woods.com oldalon történő regisztrációval 3 év garanciát kaphat.

**ŐRIZZE MEG A NYUGTÁKAT!** Az összes nyugtára szükség lesz az időszak alatt bármilyen garanciális igény érvényesítéséhez.

## HIBAELEHÁRÍTÁS

Kérjük, ellenőrizze a készüléket, és kövesse az alábbi javaslatokat, mielőtt szakszervizt kérne. Soha ne próbálja meg azonban saját maga szétszerelni vagy megjavítani a készüléket, mert kárt okozhat Önnek és a tulajdonának. Ha a táblázatban nem szereplő problémák merülnek fel, vagy az ajánlott megoldások nem működnek, kérjük, forduljon szakszervizhez.

TROUBLE	OK	JOGORVOSLAT
A készülék nem indul el.	Áramellátás meghibásodása.	Csatlakoztassa a készüléket egy feszültség alatt álló aljzathoz, és kapcsolja be.
	A víztartály megtelt a megfelelő világító ikonnal.	Engedje le a készülékben tárolt vizet.
	A helyiség hőmérséklete alacsonyabb, mint a beállított hőmérséklet Hűtés üzemmódban, vagy magasabb hőmérséklet Fűtés üzemmódban.	Ügyeljen arra, hogy a készülék az ajánlott hőmérséklet-tartományban működjön. Állítsa be a beállított hőmérsékletet.
Elégtelen hűtés.	Közvetlen napfény van.	Húzza be az ablakfüggönyt.
	Az ajtók és ablakok nyitva vannak, a helyiség zsúfolt, vagy más hőforrások is vannak.	Zárja be az ajtókat és ablakokat, távolítsa el az egyéb hőforrásokat, és fontolja meg további légkondicionálók beszerzését.
	Koszos szűrő.	Tisztítsa meg vagy cserélje ki a szűrőhálót.
	A levegő be- vagy kimeneti nyílása eltömődött.	Távolítsa el minden akadályt.
Magas zajszint.	A készüléket egyenetlen felületen helyezik el.	Helyezze a készüléket lapos és szilárd helyre (csökkentheti a zajt).
A kompresszor nem működik.	A túlmelegedés elleni védelem beindítása.	Várjon, amíg a hőmérséklet csökken, a készülék automatikusan újraindul.
A távirányító nem működik.	Túl nagy a távolság a készülék és a távirányító között.	Vigye a távirányítót a légkondicionáló közelébe, és biztosítsa a levegőt a készülék jelfogójánál.
	A távirányító nem a készülék jelfelvevőjére irányul.	
	Az akkumulátorok lemerültek.	Cserélje ki az elemeket
"D7 vagy E4" kód jelenik meg.	Fagyásgátló védelem.	A funkciók automatikusan helyreállnak, amint a fagyvédelem megszűnik.
"FL" kód jelenik meg.	Az alváz víztartálya megtelt.	Engedje le a kondenzátumot, és indítsa újra a készüléket.

## MŰSZAKI LEÍRÁS

MODELL SZÁM.	CORTINA XL 14K WIFI	CORTINA XL 14K DUO WIFI	CORTINA XL 18K WIFI	CORTINA XL 18K DUO WIFI
Hűtési kapacitás	3900W	3900W	5000W	5000W
Fűtési teljesítmény	N/A	3500W	N/A	4000W
Energiafogyasztás hűtési üzemmódban	1490W	1490W	1750W	1750W
Energiafogyasztás fűtési üzemmódban	N/A	1350W	N/A	1500W
Légáramlás	400m <sup>3</sup> /h	400m <sup>3</sup> /h	480m <sup>3</sup> /h	480m <sup>3</sup> /h
Energiaosztály	A	A	A	A
Párátlanítás	38L/D	38L/D	70L/D	70L/D
Hőmérséklet beállítása	17-30°C	17-30°C	17-30°C	17-30°C
Munkahőmérséklet	17-43°C	5-43°C	17-43°C	5-43°C
EER hűtési üzemmódban	2,6	2,6	2,6	2,6
Tömlők hossza	1.5M	1.5M	1.5M	1.5M
Hűtőgáz	R290/285g	R290/285g	R290/295g	R290/295g
Hangszint hűtési üzemmódban (LWA) (dB(A))	60-64 dB	60-64 dB	60-64 dB	60-64 dB
Hangszint hűtési üzemmódban (LPA) (dB(A))	48-53 dB	48-53 dB	48-53 dB	48-53 dB
Nettó súly	31.5kg	33kg	27.3kg	28.3kg
Készülék méretei (H×S×D)	770×440×410mm	770×440×410mm	770×440×410mm	770×440×410mm

**Előfordulhatnak technikai változások és fejlesztések. Minden érték hozzávetőleges, és a külső körülményektől, például a hőmérséklettől, a szellőzéstől és a páratartalomtól függően változhat.**

**Poznámká: Ochrana životného prostredia a likvidácia**

- A fogyasztó törvényileg köteles az elektronikus eszközöket, lámpákat és akkumulátorokat élettartamuk végén megfelelően ártalmatlanítani
- Ezeket ingyenesen le lehet adni a nyilvános gyűjtőpontokon vagy vissza lehet adni az üzletekben.
- A személyes adatok törlése a fogyasztó saját felelőssége.
- A kockázat nélkül eltávolítható és nem fix módon beépített fényforrásokat és akkumulátorokat előzetesen ki kell venni és külön ártalmatlanítani.
- A adott ország jogszabályai határozzák meg a jogszertű ártalmatlanítás részleteit.
- Az áthúzott szemeteszkuka jelöléssel ellátott elektromos készülékeket és akkumulátorokat, az élettartamuk végén semmi esetben sem szabad a háztartási hulladékkal együtt ártalmatlanítani.
- A szemeteszkuka alatt látható szimbólumok jelzik a benne lévő anyagokat (ólom = Pb, higany = Hg, kadmium = Cd).
- Erre az elkülönítésre azért van szükség, mert az akkumulátorok és az elektromos készülékek egyrészt értékes erőforrások, másrészt az emberekre és környezetükre ártalmas anyagokat tartalmaznak.
- Az akkumulátorok és az erre a célra alkalmas elektromos készülékek újrahasznosításával, gyűjtésével és újrafelhasználásával Ön hozzájárul a környezet és az emberi egészség megőrzéséhez és védelméhez.

## RE Declaration of Conformity (DoC)

**Equipment:** Air conditioner

**Products :**

AC Cortina XL 18K WiFi  
AC Cortina XL 18K Duo WiFi  
AC Cortina XL 14K Duo WiFi

Woods Production Sweden AB declares that the above products confirm with below standards, when installed and operated in accordance with valid installation and operational standards and the information in manuals and data sheets.

**Directives:**

EMC Directive 2014/30/EU  
Low-Voltage Directive 2014/35/EU  
RoHS Directive 2011/65/EU and (EU) 2015/863  
REACH Regulation (EU) No.1907/2006  
RED Directive-2014/53/EU

**Standards:**

EN IEC 60335-2-40: 2023 + A11: 2023  
EN 60335-1: 2012 + A11: 2014 + A13: 2017+A1: 2019+ A2: 2019 + A14: 2019 + A15: 2021 + A16: 2023  
EN 62233: 2008  
EN 61000-3-3: 2013+ A1: 2019+A2: 2021  
EN IEC 55014-1: 2021  
EN IEC 55014-2: 2021  
EN IEC 61000-3-2: 2019+A1 :2021

**Woods Production Sweden AB**

Box356  
SE-441 27 Alingsås,  
Sweden

Alingsås 2025-12-03

The Wi-Fi/Smart Home products is equipped with integrated Wi-Fi and Bluetooth functionality operating in the 2.4 GHz ISM band. The following specifications apply to its wireless transmission characteristics:

**Wi-Fi (802.11b/g/n20):**

Frequency range: 2.412 GHz to 2.472 GHz (Channels 1–13 in EU) (Channel 14 is not supported in the EU)  
Maximum output power: Up to +20 dBm in 802.11b mode (equivalent to 100 mW)

**Bluetooth 4.2 Low Energy:**

Frequency range: 2.402 GHz to 2.480 GHz (40 channels)  
Maximum output power: Compliant with Bluetooth LE power class specifications



Register and find the latest updated user manual, usage advice, updated brochures, troubleshooting, and service information at **woods.se**

#### **CUSTOMER CARE AND SERVICE**

Always use original spare parts. When contacting our authorized service centre, ensure that you have the following data available: Model number, receipt, and serial number.

Warning / Caution-Safety information. General information and tips.  
Environmental information. Subject to change without notice.

# ***Wood's***<sup>®</sup>