



**Electrolux**



[electrolux.com/register](http://electrolux.com/register)



**EN** User Manual | **Washer Dryer**

**EW8W3816BI**



## WE'RE THINKING OF YOU

Thank you for purchasing an Electrolux appliance. You've chosen a product that brings with it decades of professional experience and innovation. Ingenious and stylish, it has been designed with you in mind. So whenever you use it, you can be safe in the knowledge that you'll get great results every time.

Welcome to Electrolux.

Visit our website to:



Get usage advice, brochures, trouble shooter, service and repair information:  
[www.electrolux.com/support](http://www.electrolux.com/support)



Register your product for better service:  
[www.registerelectrolux.com](http://www.registerelectrolux.com)



Buy Accessories, Consumables and Original spare parts for your appliance:  
[www.electrolux.com/shop](http://www.electrolux.com/shop)

## CUSTOMER CARE AND SERVICE

Always use original spare parts.

When contacting our Authorised Service Centre, ensure that you have the following data available: Model, PNC, Serial Number.

The information can be found on the rating plate.

 Warning / Caution-Safety information

 General information and tips

 Environmental information

Subject to change without notice.

## CONTENTS

1. SAFETY INFORMATION.....	3
2. SAFETY INSTRUCTIONS.....	6
3. PRODUCT DESCRIPTION.....	8
4. TECHNICAL DATA.....	8
5. INSTALLATION.....	9
6. CONTROL PANEL.....	19
7. DIAL AND BUTTONS.....	21
8. PROGRAMMES.....	25
9. SETTINGS.....	32
10. BEFORE FIRST USE.....	33
11. DAILY USE - WASHING ONLY.....	33
12. DAILY USE - WASHING & DRYING.....	37
13. DAILY USE - DRYING ONLY.....	39
14. FLUFF IN THE FABRICS.....	40
15. HINTS AND TIPS.....	40
16. CARE AND CLEANING.....	43
17. TROUBLESHOOTING.....	49
18. CONSUMPTION VALUES.....	53
19. ENVIRONMENTAL CONCERNS.....	55

# 1. ⚠ SAFETY INFORMATION



Before beginning the installation and use of this appliance, carefully read the supplied instructions. The manufacturer is not responsible for any injuries or damage that are the result of incorrect installation or usage. Always keep the instructions in a safe and accessible location for future reference.

## 1.1 Children and vulnerable people safety

### ⚠ WARNING!

Risk of suffocation, injury or permanent disability.

- This appliance can be used by children aged from 8 years and above and persons with reduced physical, sensory or mental capabilities or lack of experience and knowledge if they have been given supervision or instruction concerning the use of the appliance in a safe way and understand the hazards involved.
- Children between 3 and 8 years of age and persons with very extensive and complex disabilities shall be kept away from the appliance unless continuously supervised.
- Children of less than 3 years of age should be kept away from the appliance unless continuously supervised.
- Children should be supervised to ensure that they do not play with the appliance.
- Keep all packaging away from children and dispose of it appropriately.
- Keep detergents away from children.
- Keep children and pets away from the appliance when the door is open.
- If the appliance has a child safety device, it should be activated.
- Children shall not carry out cleaning and user maintenance of the appliance without supervision.

## 1.2 General Safety

- This appliance is for washing and drying domestic-type machine-washable and dryable laundry only.
- Do not use the dryer function if laundry has been soiled with industrial chemicals.
- This appliance is designed for single household domestic use in an indoor environment.
- This appliance may be used in, offices, hotel guest rooms, bed & breakfast guest rooms, farm guest houses and other similar accommodation where such use does not exceed (average) domestic usage levels.
- Do not change the specification of this appliance.
- Do not install the appliance behind a lockable door, a sliding door or a door with a hinge on the opposite side, that would prevent the appliance door from being fully open.
- Connect the mains plug to the mains socket only at the end of the installation process. Make sure that the mains plug is accessible after installation.
- The ventilation opening in the base must not be covered by a carpet, mat, or any floor covering.
- **WARNING:** The appliance must not be supplied through an external switching device, such as a timer, or connected to a circuit that is regularly switched on and off by a utility.
- Ensure good air ventilation in the room where the appliance is installed to avoid the backflow of unwanted gases into the room from appliances burning gas or other fuels, including open fires.
- Exhaust air must not be discharged into a flue which is used for exhausting fumes from any appliances burning gas or other fuels.
- The operating water pressure at the water entry point from the outlet connection must be between 0.5 bar (0.05 MPa) and 10 bar (1.0 MPa).
- The appliance maximum load is 8.0 kg. Do not exceed the maximum load of each programme (refer to the "Programmes" chapter).

- The appliance must be connected to the water mains using the new supplied hose sets, or other new hose sets supplied by the Authorised Service Centre.
- Old hose sets must not be reused.
- If the mains power supply cable is damaged, it must be replaced by the manufacturer, its Authorised Service Centre or similarly qualified persons to avoid an electrical hazard.
- Wipe away lint or packaging debris that has accumulated around the appliance.
- Items that have been soiled with substances such as vegetable or mineral oil, acetone, alcohol, petrol, kerosene, spot removers, turpentine, waxes and wax removers should be washed separately with an extra amount of detergent before being dried in the washer dryer.
- Do not use the appliance if items have been soiled with industrial chemicals.
- Do not dry unwashed items in the wash dryer.
- Items such as foam rubber (latex foam), shower caps, waterproof textiles, and rubber backed articles and clothes, or pillows fitted with foam rubber pads should not be dried in the washer dryer.
- Fabric softeners, or similar products, should only be used as specified by the product manufacturer's instructions.
- Remove all objects from items that could be a source of fire ignition such as lighters or matches.
- **WARNING:** Never stop the washer dryer before the end of the drying cycle unless all items are quickly removed and separated so that residual heat can dissipate.
- The final part of the washer dryer cycle takes place without heat (cool down cycle) to ensure that items reach a temperature that will not cause damage to them.
- Do not use high pressure water sprays and/or steam to clean the appliance.
- Clean the appliance with a moist cloth. Use only neutral detergents. Do not use abrasive products, abrasive cleaning pads, solvents or metal objects.

- Before any maintenance operation, deactivate the appliance and disconnect the mains plug from the socket.

## 2. SAFETY INSTRUCTIONS

### 2.1 Installation



The installation must comply with relevant national regulations.

- Follow the installation instructions supplied with the appliance.
- Do not use the appliance before installing it in the built-in structure due to safety manner.
- Do not install or use the appliance where the temperature can be less than 0°C or where it is exposed to the weather.
- Always keep the appliance vertical when it is being moved.
- Make sure that there is air circulation between the appliance and the floor.
- Remove all the packaging and the transit bolts.
- The floor area on which the appliance is to be installed must be flat, stable, heat resistant and clean.
- Keep the transit bolts in a safe place. If the appliance is to be moved in the future they must be reattached to lock the drum to prevent an internal damage.
- Always take care when moving the appliance as it is heavy. Always use safety gloves and enclosed footwear.
- Do not install or use a damaged appliance.
- Do not install the appliance where the appliance door cannot be fully opened.
- Adjust the feet to have the necessary space between the appliance and the flooring.
- When the appliance is in its permanent position, check if it is levelled correctly with the aid of a spirit level. If it is not, adjust the feet accordingly.

### 2.2 Electrical Connection



#### **WARNING!**

Risk of fire and electric shock.

- **WARNING:** This appliance is designed to be installed / connected to a grounding connection in the building.
- Always use a correctly installed shockproof socket.
- Do not use multi-plug adapters and extension cables.
- Do not pull the mains cable to disconnect the appliance. Always pull the mains plug.
- Do not touch the mains cable or the mains plug with wet hands.

### 2.3 Water Connection

- The inlet water shall not exceed 25 °C.
- Do not cause damage to the water hoses.
- Before connection to new pipes, pipes not used for a long time, where repair work has been carried out or new devices fitted (water meters, etc.), let the water flow until it is clean and clear.
- Ensure that there are no visible water leaks during and after the first use of the appliance.
- Do not use an extension hose if the inlet hose is too short. Contact the Authorised Service Centre for the replacement of the inlet hose.
- When unpacking the appliance, It is possible to see water flowing from the drain hose. This is due to the testing of the appliance with the use of water in the factory.
- You can extend the drain hose to maximum 400 cm. Contact the Authorised Service Centre for the other drain hose and the extension.
- Make sure that there is access to the tap after the installation.

## 2.4 Use

### **WARNING!**

Risk of injury, electric shock, fire, burns or damage to the appliance.

- Do not put flammable products or items that are wet with flammable products in, near or on the appliance.
- Do not touch the glass door while a programme operates. The glass can get hot.
- Do not dry damaged (torn, frayed) items that contain padding or fillings.
- If laundry has been washed with a stain remover, carry out an additional rinse cycle before starting a drying cycle.
- Make sure that all metal objects are removed from the laundry.
- Dry only fabrics that are suitable to dry in the appliance. Follow the cleaning instruction on the item label.
- Do not sit or stand on the open door of the appliance.
- Do not dry dripping wet clothes in the appliance.
- Do not let hot items to touch the plastic parts of the appliance.
- Remove a detergent ball (if used) before starting a drying programme.
- Do not use a detergent ball if setting a non-stop programme.

## 2.5 Service

- To repair the appliance contact the Authorised Service Centre. Use original spare parts only.
- Please note that self-repair or non-professional repair can have safety consequences and might void the guarantee.
- The following spare parts will be available for 10 years after the model has been

discontinued: motor and motor brushes, transmission between motor and drum, pumps, shock absorbers and springs, washing drum, drum spider and related ball bearings, heaters and heating elements, including heat pumps, piping and related equipment including hoses, valves, filters and aquastops, printed circuit boards, electronic displays, pressure switches, thermostats and sensors, software and firmware including reset software, door, door hinge and seals, other seals, door locking assembly, plastic peripherals such as detergent dispensers. Please note that some of these spare parts are only available to professional repairers, and that not all spare parts are relevant for all models.

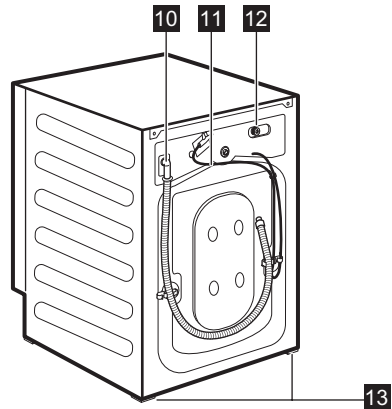
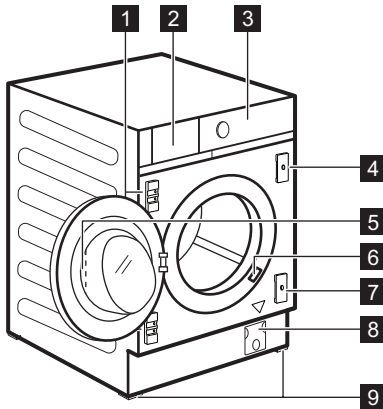
- Concerning the lamp(s) inside this product and spare part lamps sold separately: These lamps are intended to withstand extreme physical conditions in household appliances, such as temperature, vibration, humidity, or are intended to signal information about the operational status of the appliance. They are not intended to be used in other applications and are not suitable for household room illumination.

## 2.6 Disposal

- Disconnect the appliance from the mains electrical and water supplies.
- Cut off the mains electrical cable close to the appliance and dispose of it.
- Remove the door catch to prevent children or pets from becoming trapped in the drum.
- Dispose of the appliance in accordance with local requirements for the disposal of Waste Electrical and Electronic Equipment (WEEE).

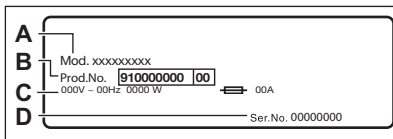
## 3. PRODUCT DESCRIPTION

### 3.1 Appliance overview



- 1** Hinge supports
- 2** Detergent dispenser
- 3** Control panel
- 4** Magnetic plate
- 5** Door handle
- 6** Rating plate
- 7** Plate with rubber beater

- 8** Drain pump filter
- 9** Front feet for levelling the appliance
- 10** Drain hose
- 11** Mains cable
- 12** Inlet hose connection
- 13** Back feet for levelling the appliance



The **rating plate** reports the model name (**A**), product number (**B**), electrical ratings (**C**) and serial number (**D**).

## 4. TECHNICAL DATA

Dimension	Width/ Height/ Total depth	59.6 cm /81.9 cm /55.3 cm
Electrical connection	Voltage	230 V
	Overall power	2100 W
	Fuse	10 A
	Frequency	50 Hz

Level of protection against ingress of solid particles and moisture ensured by the protective cover, except where the low voltage equipment has no protection against moisture IPX4



Water supply <b>1)</b>		Cold water
Water supply pressure	Minimum Maximum	0.5 bar (0.05 MPa) 10 bar (1.0 MPa)
Maximum wash load	Cotton	8.0 kg
Maximum dry load	Cotton Synthetics	4 kg 3 kg
Spin Speed	Maximum spin speed	1551 rpm

**1)** Connect the water inlet hose to a water tap with a 3/4" thread.

## 5. INSTALLATION

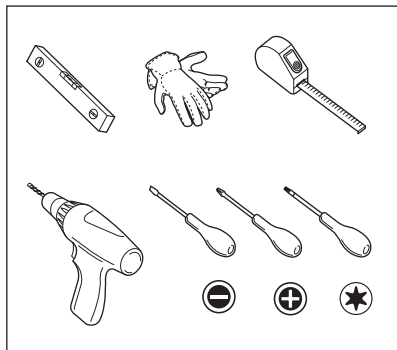
### **WARNING!**

Refer to Safety chapters.

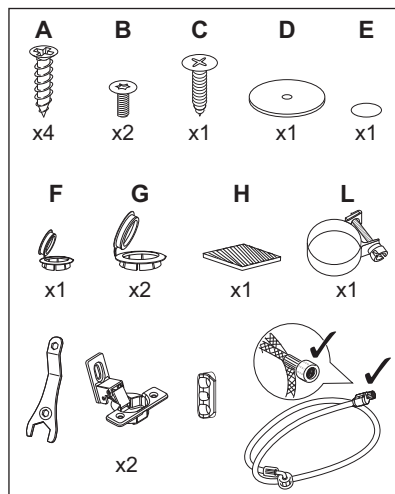
### 5.1 Be prepared for installation



It is recommended that installation is carried out by two persons.



### 5.2 The appliance is equipped with ...



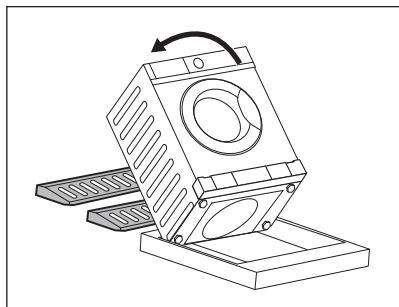
### 5.3 Unpacking

#### **WARNING!**

Use the gloves.

#### **WARNING!**

Remove all the packaging and the transit bolts before installing the appliance.



1. Put two polystyrene packaging elements on the floor under the appliance.

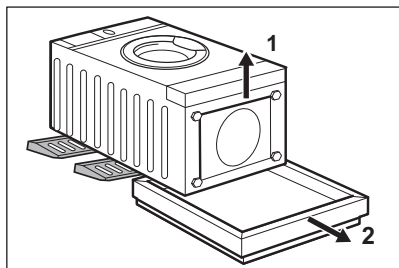
**⚠ WARNING!**

It is strongly recommended that this action is carried out by two persons.

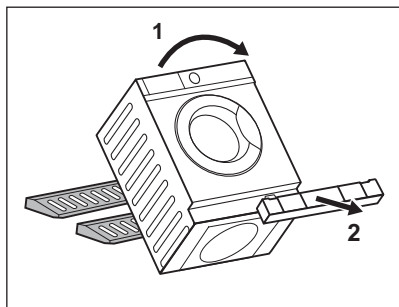
2. Carefully put the appliance down on its rear side.



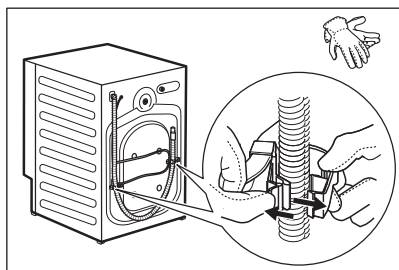
Make sure not to damage the hoses.



3. Remove the polystyrene protection from the bottom.



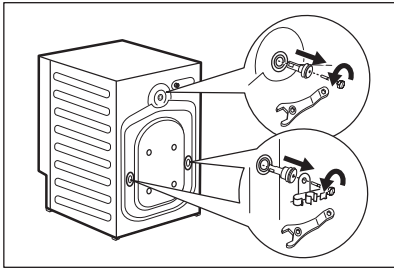
4. Return the appliance in vertical position and remove the socket polystyrene protection.



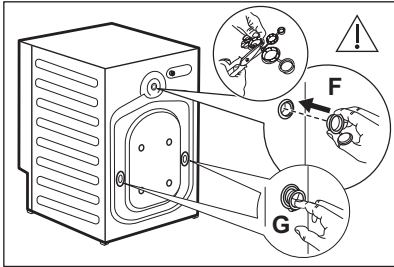
5. Remove the power supply cable and the drain hose from the hose holders.



It is possible to see water flowing from the drain hose. This is due to the testing with water of the appliance in factory.



6. Remove the three bolts, the hose holders and plastic spacers by using the spanner supplied with the appliance.

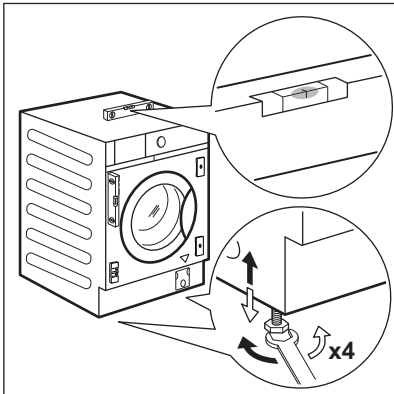


7. Close the holes with the plastic caps you find in the user manual bag. Put the smallest cap **F** in upper hole and the two bigger caps **G** in lower holes.



We recommend that you keep the packaging and the transit bolts for any movement of the appliance.

## 5.4 Positioning and levelling



1. Install the appliance on a flat hard floor.

### **WARNING!**

Make sure that carpets do not stop the air circulation below the appliance.

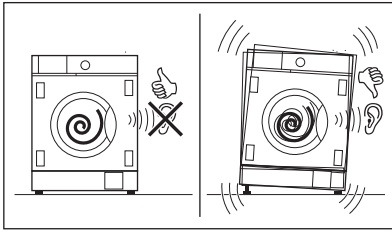


Bring the appliance near the furniture recess before levelling it. For more details, refer to paragraph "Building in".

2. Loosen or tighten the feet to adjust the level.



A correct adjustment of the appliance level prevents the vibration, noise and the movement of the appliance when in operation.

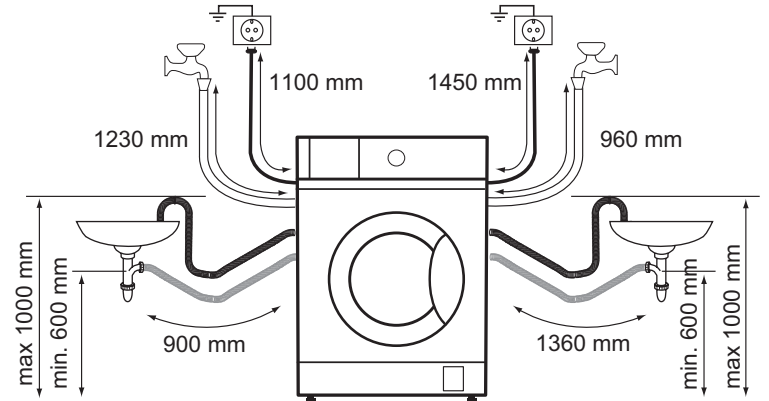


The appliance must be level and stable.

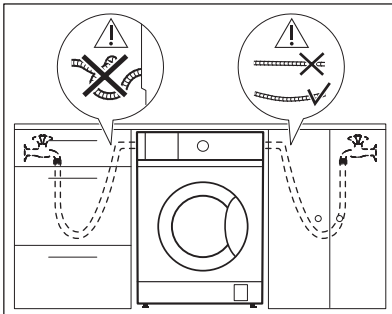
**⚠ CAUTION!**

Do not put cardboard, wood or equivalent materials below the appliance feet to adjust the level.

### 5.5 Hose and cable connection



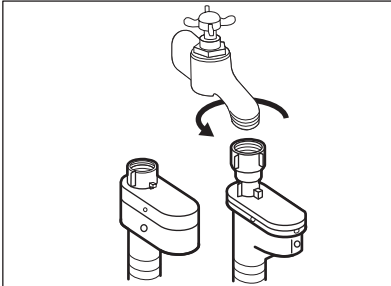
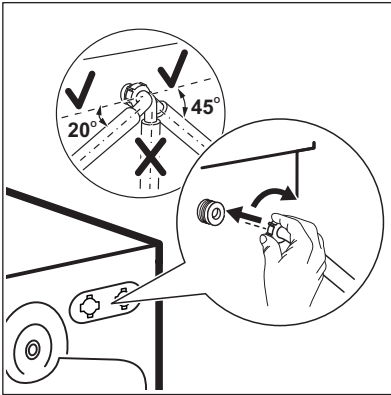
### The inlet hose



1. Remove the inlet hose from inside the drum.
2. To connect the water inlet hose towards the proper direction and with the proper inclination, check the position of the water tap before connecting it to the back of the appliance.



Make sure the hose is not kinked, squashed but neither tensed.



3. Connect the hose to the back of the appliance. Do not turn the inlet hose downwards, but turn it left or right depending on the position of your water tap.
4. Loosen the ring nut to fix it in the correct position.

5. Connect the water inlet hose to the cold water tap with 3/4 thread.

**⚠ WARNING!**

The inlet water shall not exceed 25 °C.

**⚠ WARNING!**

Make sure that there are no leaks from the couplings.



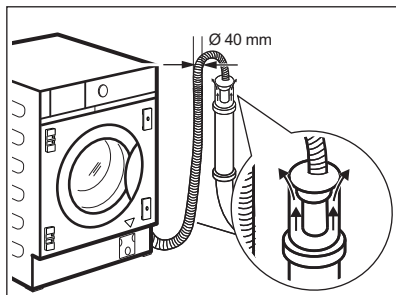
Use the hose supplied with appliance.



Do not use an extension hose if the inlet hose is too short. Contact the Authorised Service Centre for an inlet hose replacement.

## Water drainage

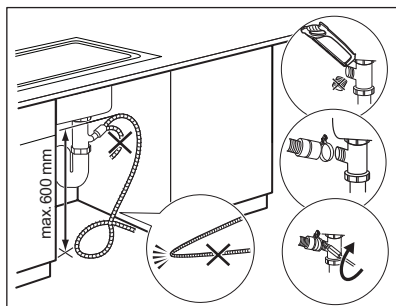
The drain hose can be connected:



### To a stand pipe with vent-hole

Directly into a drain pipe at a height of not less than 60 cm (23.6") and not more than 100 cm (39.3").

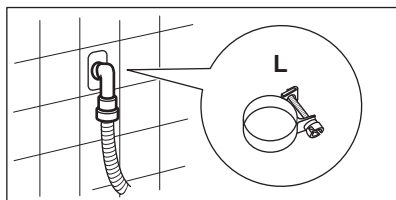
The end of the drain hose must always be ventilated, i.e. the inner diameter of the drain pipe (min. 40 mm - min. 1.6") must be larger than the external diameter of the drain hose.



### To a sink spigot

Put the drain hose in the spigot and tighten it with the supplied cable tie **L**.

Make sure that the drain hose makes a loop to prevent particles going into the appliance from the sink.



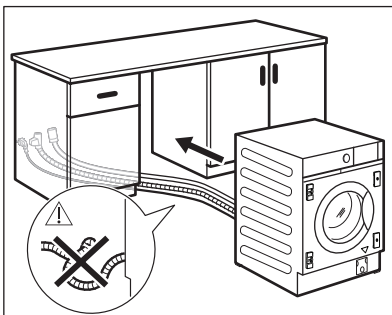
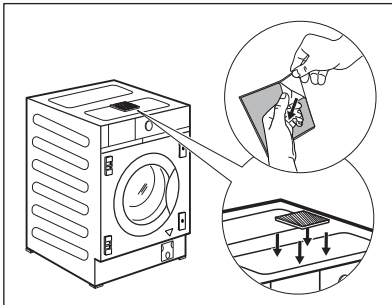
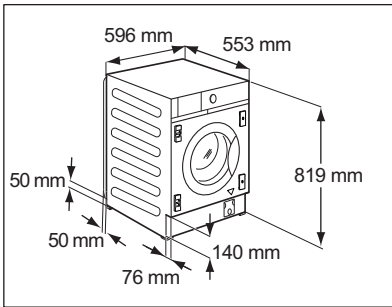
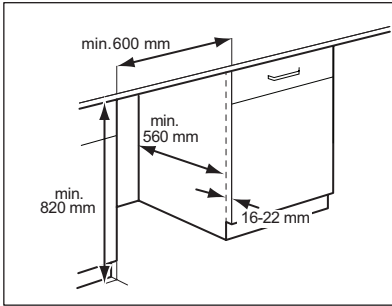
### To a wall-pipe

Directly to a built-in drain pipe in the room wall and tighten it with the supplied cable tie **L**.



You can extend the drain hose to maximum 400 cm. Contact the service centre for the other drain hose and the extension.

## 5.6 Building in



This appliance has been designed to be built into the kitchen furniture. See the minimum recess dimensions in the drawings.



If hoses run behind the appliance, make sure that nothing closes the small recess indicated with the measures 50 x 50 mm.

The appliance is also equipped with an adhesive sponge pad **H** that you can find inside the drum. Attach it on the top of the appliance where indicated in the drawing.

When levelling the appliance under the furniture, **DO NOT** squeeze the sponge pad.

Before proceeding with appliance building in, bring it near the recess and preposition the inlet hose, the drain hose and the mains cable.

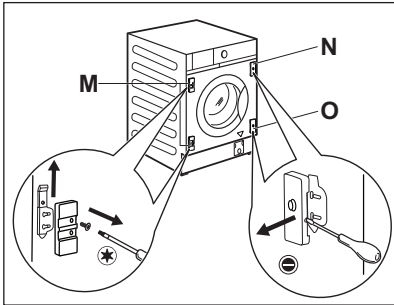
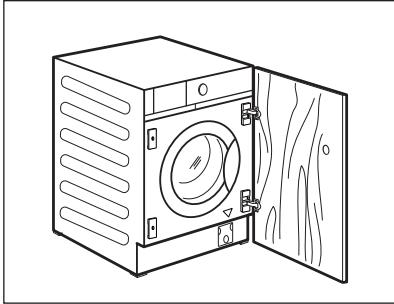
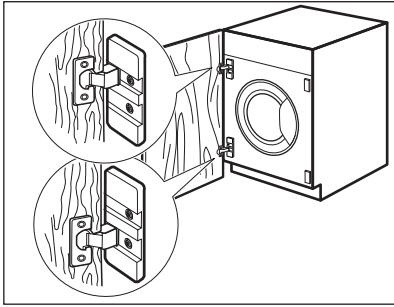
### **WARNING!**

Make sure they are not kinked or squashed.

## 5.7 Preparation and assembly of the cupboard door

The dimensions of the cupboard door should be:

- width min. 595 - max. 598 mm;
- thickness 16-22 mm.



### Factory pre setting

The appliance is originally pre set for the assembly of a cupboard door opening from right to left.



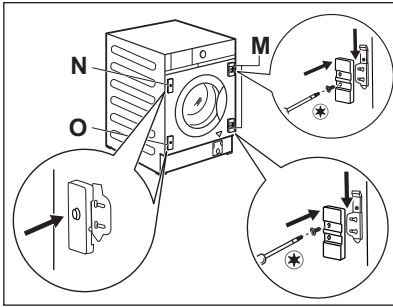
The best solution would be to screw the upper hinge to the upper hole of the top plate and the lower hinge to the lower hole of the bottom plate.

### Reversibility of the cupboard door

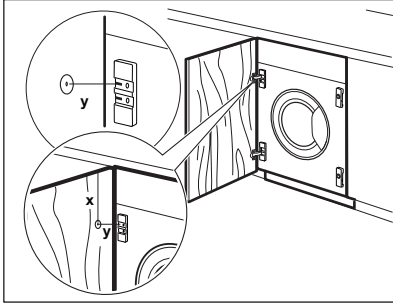
Carry out the cupboard door reversibility before the appliance is built in completely.

If the cupboard door has to be opened from left to right, invert the position of the hinge supports **M** with the magnetic plate **N** and lower plate **O**.





Make sure that the plate with magnet is on the upper position.

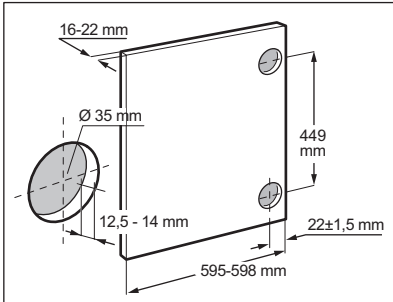


### Cupboard door preparation



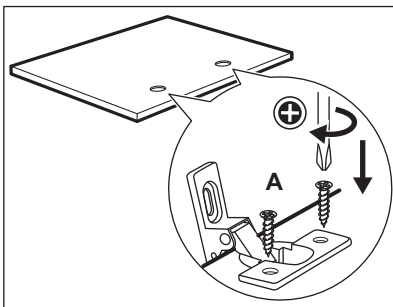
For countersinking the door, it is recommended to call a professional.

Align the cupboard door to the furniture correctly. Measure the distance **X** to fix the height of the hole to countersink the upper hinge. The centre of the hole **Y** should be at the same height of the stroke on the hinge support.



Set the position of the lower hole respecting dimensions and distances shown in the drawing (449 mm).

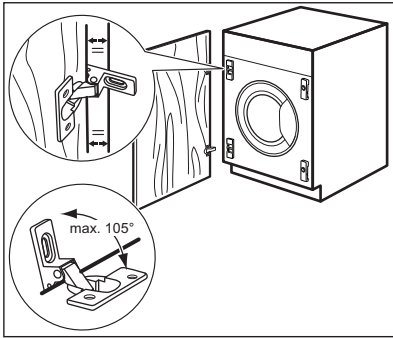
Countersink the holes.



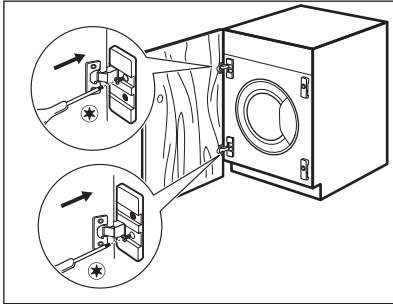
### Hinges

To mount the hinges it is necessary to drill two holes (dia. 35 mm, depth 12.5 - 14 mm depending on the depth of cupboard door) on the inner side of the door.

The hinges will be fixed to the door by means of the four supplied screws **A**.



To align the door perfectly, make sure that the edge of cupboard door is parallel with the appliance edge and to respect the proper opening angle (max. 105°).

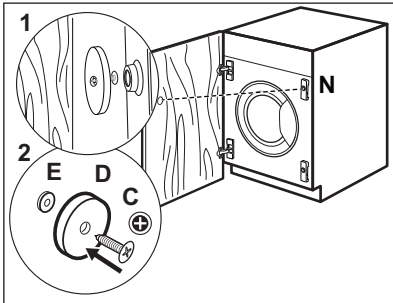


### Mounting the door

Fix the hinges to the hinge supports on the appliance by means of the two supplied screws **B**.



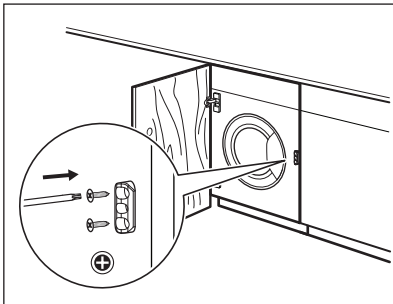
The hinges can be adjusted to compensate for possible uneven thickness of the door.



### Counter-magnet

The appliance is pre set for a magnetic closure. For a correct closure:

1. Position the screw **C** and the counter-magnet **D** on the magnetic plate **N**. Lean the cupboard door against the screw until it leaves a mark.
2. Open the cupboard door and screw the counter-magnet **D** (steel disk + rubber ring **E**) with the screw **C** in the inner side of the cupboard door, where the screw left the mark as described in the first step.



### Flexible machine stopper

The supplied plastic stopper can be only installed when the appliance installation is complete, to avoid movement outward. Fix it on the furniture, near the front panel taking as reference height the middle of the door, **on the opposite side of the hinges**.

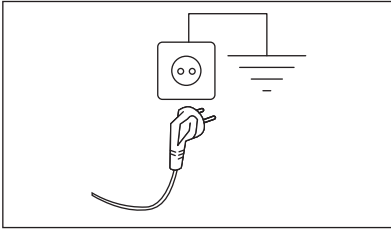
## 5.8 Electrical connection

At the end of installation you can connect the mains plug to the mains socket.

The rating plate and the 'Technical Data' chapter indicate the necessary electrical ratings. Make sure that they are compatible with the mains power supply.

Check that your domestic electrical installation can take the maximum load required, also taking into account any other appliances in use.

**Connect the appliance to an earthed socket.**



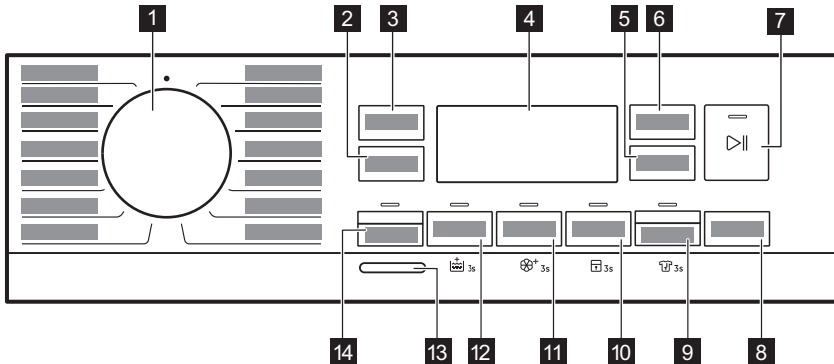
The power supply cable must be easily accessible after installing the appliance.

For any electrical work required to install this appliance, contact our Authorised Service Centre.

The manufacturer does not accept any responsibility for damage or injury through failure to comply with the above safety precaution.

## 6. CONTROL PANEL





### 6.1 Control panel description




The permanent options are set by holding pressed the relative button for at least 3 seconds.

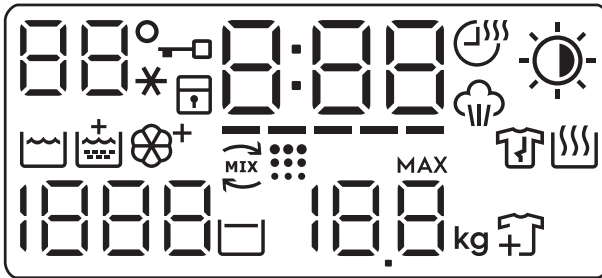
**1** Programme dial






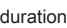
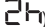





- 2** Spin touch button
- 3** Temperature touch button
- 4** Display
- 5** Time Dry touch button
- 6** Auto Dry touch button













- 7** Start / Pause touch button 
- 8** Delay Start touch button
- 9** Dry Mode touch button and permanent Anti-crease option  3s
- 10** Time Manager touch button and permanent Child Lock option  3s
- 11** Stains touch button and permanent Soft Plus option  3s

- 12** Prewash touch button and permanent Extra Rinse option  3s
- 13** On/Off push button
- 14** Wash Mode touch button

## 6.2 Display



	The Temperature area:  Temperature indicator . --* Cold water indicator.
	Door locked indicator.
	Child safety lock indicator.
	The digital indicator can show: <ul style="list-style-type: none"> <li>• Programme duration (e. g. , washing and/or drying phase).</li> <li>• Delay time (e. g. ).</li> <li>• Cycle end ().</li> <li>• Warning code (e.g. ).</li> <li>• Error indicator (— — —).</li> </ul>
	Time Manager indicator.
	Time Dry indicator.
	Steam phase indicator.

	Auto Dry indicator:  Iron dry  Cupboard dry  Extra dry
	Washing phase indicator
	Extra Rinse indicator.
	UltraCare phase indicator.
	Drum clean indicator. This is a recommendation to perform the drum cleaning. Refer to paragraph "Cleaning the drum" in "Care and cleaning" chapter.
	Anti-crease phase indicator. Read the 'Permanent Anti-crease' paragraph for more details.
	Drying phase indicator.
1888	The spin area: Spin speed indicator - - - No Spin indicator. Spin phase is off.
	Rinse Hold indicator.
88.8 <sup>MAX</sup>	Maximum load indicator (refer to "The SensiCare System load detection " paragraph). <b>MAX</b> It flashes when the laundry load exceeds the maximum declared load of the selected programme.
	Add garments indicator. It lights at the beginning of the washing phase, when it is still possible to pause the appliance and add more laundry.

## 7. DIAL AND BUTTONS

### 7.1 Introduction



The options/functions are not available with all washing programmes. Check the compatibility between options/functions and washing programmes in the "Programme Chart". An option/function can exclude another one, in this case the appliance doesn't allow you to set incompatible options/functions.

### 7.2 On/Off

Press this button for a few seconds to activate or deactivate the appliance. Two different tunes sound while switching the appliance on or off.

As the Stand-by function automatically deactivates the appliance after several minutes to reduce the energy consumption, you may need to activate the appliance again.

For more details, refer to Stand-by paragraph in Daily Use chapter.

### 7.3 Temperature

When you select a washing programme, the appliance automatically proposes a default temperature.



Touch this button repeatedly until the desired temperature value appears on the display.


When the display shows the indicators \_ \_ \*, the appliance does not heat the water.


## 7.4 Spin

When you set a programme, the appliance automatically sets the default spin speed.

Touch repeatedly this button to:

- **Change the spin speed.** The display shows only the spin speeds available for the set programme.
- Set the **No Spin** option . Set this option to deactivate all spin phases. The appliance performs the only draining phase of the selected washing programme. Set this option for very delicate fabrics. The rinses phase uses more water for some washing programmes
- Activate the **Rinse Hold**  option. The final spin is not performed. The water of the last rinse is not drained out to prevent the fabrics from creasing. The washing programme ends with water in the drum.

The indicator  is on display. The door stays locked and the drum turns regularly to reduce creasing. You must drain the water to unlock the door.

If you touch the Start / Pause  button, the appliance performs the spinning phase and drains the water.



The appliance empties the water out automatically after 18 hours approximately.

## 7.5 Wash Mode

This button allows to activate or deactivate the washing mode. When the washing mode is activated, the button indicator is on.

## 7.6 Prewash

With this option you can add a prewash phase to a washing programme.

The corresponding indicator above the touch button illuminates.

Use this option to add a pre-wash phase at 30 °C before the washing phase.


This option is recommended for heavily soiled laundry, especially if containing sand, dust, mud and other solid particles.



The option can increase the programme duration.

## 7.7 Permanent Extra Rinse 3s

With this option you can permanently have an extra rinse when you set a new programme.

To **activate/deactivate** this option, hold the Prewash button pressed for 3 seconds until the indicator  **comes on/goes off** on the display.

When it is activated, the appliance will default to this option after you switch it off or change/reset the programme.




This option increases the programme duration.

## 7.8 Stains

Touch this button to add the stain phase to a programme.

The corresponding indicator above the touch button illuminates.

Use this option for laundry with hard stains to remove.

When you set this option, put the stain remover into compartment .

The stain remover is pre-mixed and heated with detergent in order to improve its effectiveness.




This option increases the programme duration.

This option is not available with a temperature lower than 40 °C.


## 7.9 Permanent Soft Plus 3s

Set this option to optimise the fabric softener distribution and improve fabric softness.

Recommended when you use fabric softener.

To **activate/deactivate** this option, hold the Stains button pressed for 3 seconds until the indicator + comes on/goes off on the display.

When it is activated, the appliance will default to this option after you switch it off or change/reset the programme.

 This option increases the programme duration.

## Time Manager

With this option you can reduce the programme duration depending on the load size and the degree of soiling.

When you set a washing programme, the display shows the default duration and ----- dashes.

Touch Time Manager button to reduce the programme duration according to your needs. The display shows the new programme duration and a number of dashes will decrease accordingly:

----- suitable for a full load of normally soiled garments.

---- a quick cycle for a full load of lightly soiled garments.

-- very quick cycle for a smaller lightly soiled load (max. half load recommended).

- the shortest cycle to freshen up a small amount of laundry.

The Time Manager is available only with the programmes in the table.

indicator	Cottons	Synthetics
----- 1)	■	■

indicator	Cottons	Synthetics
-----	■	■
----	■	■
---	■	■
--	■	■
-	■	■

1) Default duration for all programmes.


## Time Manager with steam programmes


When setting a steam programme, this button allows to chose three steam levels and the programme duration is reduced accordingly:

- ---- : maximum.
- -- : medium.
- - : minimum.

## 7.10 Child Lock 3s

With this option you can prevent children from playing with the control panel.

To **activate/deactivate** this option, hold the Time Manager button pressed until the indicator  comes on/goes off on the display.

When it is activated, the appliance will default to this option after you switch it off or change/reset the programme. If you press any button, the indicator  blinks to indicate that the buttons are disabled.


## 7.11 Dry Mode

This button allows to activate or deactivate the drying mode. When the drying mode is activated, the button indicator is on.

## 7.12 Permanent Anti-crease 3s

This option adds a short anti-crease phase at the end of the programme.




This phase reduces fabric creasing and facilitates the fabric ironing.

To **activate/deactivate** this option, hold the Dry Mode button pressed for 3 seconds until the indicator  **comes on/goes off** on the display.

When it is activated, the appliance will default to this option after you switch it off or change/reset the programme.



This option can increase the programme duration.

When the programme stops the display shows , the indicator  and the Start / Pause  are lit. The drum performs smooth movements for about 30 minutes to keep the steam benefit. By touching any button the anti-crease movements stop and the door unlocks, the appliance proposes again the previous set programme.

To interrupt the anti-crease phase, you can also:

- Press the On/Off button for a few seconds to activate or the deactivate the appliance.
- Turning the programme dial in another position.





A small laundry load helps to reach better results.

### 7.13 Auto Dry

When the drying mode is activated, touch this button to set one the automatic dryness levels proposed by the appliance.

On the display the relevant dryness indicator goes on:

-  **Iron dry**: laundry to be ironed.

-  **Cupboard dry**: laundry to be put in store.
-  **Extra dry**: laundry to be fully dried.



You can not set all automatic levels for each type of fabrics.

### 7.14 Time Dry

When the drying mode is activated, touch this button to set the time that suits the fabrics you have to dry (refer to "Timed drying" table). The display shows the set value.

Each time you touch this button the time value increases by 5 minutes.



You cannot set all time values for different types of fabrics.


### 7.15 Delay Start

With this option you can delay the start of a programme to a more convenient time.


Touch the button repeatedly to set the required delay. The time increases in steps of 1 hour up to 20 hours.

The corresponding indicator above the touch button illuminates.

The display shows the selected delay time.

After touching the Start / Pause  button, the appliance begins the countdown and the door is locked.

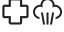
### 7.16 Start / Pause

Touch the Start / Pause  button to start, pause the appliance or interrupt a running programme.



## 8. PROGRAMMES

### 8.1 Programme Chart

Programme Default temperature Temperature range	Reference spin speed Spin speed range	Maximum load	Programme description (Type of load and level of soiling)
Eco 40-60 (Wash only mode) 40 °C <sup>1)</sup>	1600 rpm 1600 rpm - 400 rpm	8.0 kg	<b>White cotton and fast-coloured cotton.</b> Normally soiled items.
Eco 40-60 + Cup-board dry level (Wash & Dry mode) 40 °C <sup>2)</sup>	1600 rpm 1600 rpm - 400 rpm	4 kg	
Eco 40-60 + Cup-board dry level (Dry only mode)		4 kg	<b>White cotton and fast-coloured cotton.</b>
Cottons 40 °C 90 °C - Cold	1600 rpm (1600- 400 rpm)	8.0 kg	<b>White cotton and coloured cotton.</b> Normally, heavily and lightly soiled items.
Synthetics 40 °C 60 °C - Cold	1200 rpm (1200 - 400 rpm)	3.0 kg	<b>Synthetic items or mixed fabric items.</b> Normally soiled items.
Delicates 30 °C 40 °C - Cold	1200 rpm (1200- 400 rpm)	2.0 kg	<b>Delicate fabrics such as acrylics, viscose and mixed fabrics requiring gentler washing.</b> Normally and lightly soiled items.
 Hygiene 60 °C	1600 rpm 1600 rpm - 400 rpm	8.0 kg	White cotton items. This high-performance wash programme combined with steam vapour, removes more than 99,99% of bacteria and viruses <sup>3)</sup> keeping the temperature above 60°C throughout the washing phase; with an additional action on the fibers thanks to a vapour phase, an enhanced rinsing phase ensures a proper removal of detergent and micro-organism residues. This programme ensures also a proper reduction of pollens/allergenic items.

Programme Default tempera- ture Temperature range	Reference spin speed Spin speed range	Maxi- mum load	Programme description (Type of load and level of soiling)
---	--	----------------------	--

### Steam programme

Steam programme can be used for reducing wrinkles and odours<sup>4)</sup> of garments that just need to be refreshed, avoiding washing. The fabric fibres are relaxed and afterwards ironing becomes effortless. When the programme is completed, quickly remove the laundry from the drum<sup>5)</sup>. Steam programmes do not perform any hygienic cycle. Do not set this programme with the following type of items:

- Items that are not suitable for tumble drying.
- Items with label "Dry clean only".



Steam

1.0 kg

**Cottons, Synthetics, Delicates.** Short and gentle steam programme to refresh even your very delicate garments, including very delicate garments with sequins, lace etc. When treating smaller loads, the programme duration can be further reduced by means of the Time Manager option.

#### **WARNING!**

Do not use this programme with wool and garments labelled as dry-clean only.

Spin/Drain

1600 rpm  
(1600 - 400  
rpm)

8.0 kg

**All fabrics, except woollens and delicate fabrics.** To spin the laundry and to drain the water in the drum.

Rinse

1600 rpm  
(1600 - 400  
rpm)

8.0 kg

**All fabrics, except woollens and very delicate fabrics.** Programme for rinsing and spinning the laundry. The default spin speed is the one used for cotton programmes. Reduce the spin speed according to the type of laundry. If necessary, set the Extra Rinse option to add rinses. With a low spin speed, the appliance performs delicate rinses and a short spin.

Machine Clean  
60 °C





1200 rpm  
(1200 - 400  
rpm)

Maintenance cycle with hot water to clean and freshen the drum and to remove residue that may cause odour. For the best result use this cycle once a month. Before running this cycle, remove all items from the drum. In the washing phase compartment of the detergent dispenser, put the flap of the compartment in upward position. Pour a cup of chlorine bleach or a washing machine cleaner in the washing phase compartment. **DO NOT** use both together.



After the drum cleaning, run a further rinse cycle with empty drum and no detergent to remove any residue of bleach.

If you set this programme with the Dry Mode, the appliance performs the anti-fluff action. Refer to chapter 'Fluff in the fabrics'.

Programme Default tempera- ture Temperature range	Reference spin speed Spin speed range	Maxi- mum load	Programme description (Type of load and level of soiling)
UltraWash 59min 30 °C 60 °C - 30 °C	1600 rpm (1600 - 400 rpm)	5.0 kg	<b>Cotton items.</b> Intensive programme for ensuring good washing performances in a short time.
Sportswear 30 °C 40 °C - Cold	1200 rpm (1200- 400 rpm)	3.0 kg	<b>Synthetic sport items.</b> This programme is designed to gently wash modern outdoor sportswear and is also suitable for gym, cycling or jogging clothes or similar.
 Outdoor 30 °C 40 °C - Cold	1200 rpm (1200- 400 rpm)	2.0 kg	<div data-bbox="520 494 1024 622" style="border: 1px solid black; padding: 5px;"> <p> Do not use fabric softener and make sure that there is no softener residue in the detergent dispenser.</p> </div> <p><b>Outdoor clothing, technical, sport fabrics, waterproof and breathable jackets, shell jackets with a removable fleece or inner insulation.</b></p> <div data-bbox="520 710 1024 861" style="border: 1px solid black; padding: 5px;"> <p> By performing a combined wash and dry programme, the drying phase also acts as water-repellent restorer. <b>Make sure that the garment care label permits tumble drying.</b></p> </div>
 Wool 40 °C 40 °C - Cold	1200 rpm (1200 - 400 rpm)	1.5 kg	<b>Machine washable wool, hand washable wool and other fabrics</b> with «hand washing» care symbol <b>6</b> ).
Quick 20' Wash&Dry 60' 30 °C 40 °C - 30 °C	1200 rpm	1.0 kg	Programme to treat up to 1 kg of <b>mixed synthetic shirts</b> load in 20 minutes only. Add a drying phase to have a complete wash&dry treatment in 60 minutes.

Programme Default temperature Temperature range	Reference spin speed Spin speed range	Maximum load	Programme description (Type of load and level of soiling)
---	--	--------------	--

- Reset position. The display shows dashes only.

1) According to Commission Regulation EU 2019/2023. This programme at default temperature and spin speed, in washing only mode, with rated capacity 8.0 kg is able to clean normally soiled cotton laundry declared to be washable at 40 °C or 60 °C, together in the same cycle.



For the reached temperature in the laundry, the programme duration and other data, please refer to 'Consumption Values' chapter.  
The most efficient programmes in terms of energy consumption are generally those that perform at lower temperatures and longer duration.

2) According to Commission Regulation EU 2019/2023. This programme at default temperature and spin speed, in washing and drying mode, with rated capacity 4 kg and with Cupboard dry level performs the wash and dry cycle able to clean normally soiled cotton laundry declared to be washable at 40 °C or 60 °C, together in the same cycle and, after drying phase, the laundry can be immediately stored in a cupboard.

3) Tested for Staphylococcus aureus, Enterococcus faecium, Candida albicans, Pseudomonas aeruginosa and MS2 Bacteriophage in external test performed by Swisstest Testmaterialien AG in 2021 (Test Report No. 202120117).




4) Steam programme doesn't remove particularly intense odour.


5) After the steam treatment the laundry can be humid. Hang items out for a few minutes.

6) During this cycle the drum rotates slowly to ensure a gentle wash. It can seem that the drum doesn't rotate or doesn't rotate properly, but this is normal for this programme.

### Programme options compatibility

Programme	Spin	No Spin	1)	Prewash 2)	3s	Stains	3s	Time Manager	3s	Delay Start
Eco 40-60	■		■							■
Cottons	■	■	■	■	■	■	■	■	■	■
Synthetics	■	■	■	■	■	■	■	■	■	■
Delicates	■	■	■		■		■		■	■
Hygiene	■	■	■	■	■	■	■		■	■

Programme	Spin	No Spin	1)	Prewash 2)	3s	Stains	3s	Time Manager	3s	Delay Start
 Steam								■		■
Spin/Drain	■	■ 3)								■
Rinse	■	■	■		■				■	■
Machine Clean	■	■								■
UltraWash 59min	■	■	■		■		■			■
Sportswear	■	■	■	■	■				■	■
 Outdoor	■	■	■		■				■	■
 Wool	■	■	■							■
Quick 20' Wash&Dry 60'									■	■




1) This option excludes the  3s option.

2) Prewash and Stains cannot be selected together.

3) If you set the No Spin option, the appliance performs draining only.

### Suitable detergents for each programme

Programme	Universal powder <sup>1)</sup>	Liquid Universal	Liquid for colours	Delicates wool-lens	Special
Eco 40-60	▲	▲	▲	--	--
Cottons	▲	▲	▲	--	--
Synthetics	▲	▲	▲	--	--

Delicates	--	--	--	▲	▲
 Hygiene	▲	▲	--	--	▲
UltraWash 59min	▲	▲	▲	--	--
Sportswear	--	▲	▲	--	▲
 Outdoor	--	--	--	▲	▲
 Wool	--	--	--	▲	▲
Quick 20' Wash&Dry 60'	--	▲	▲	--	--

1) At temperature higher than 60 °C the use of powder detergent is recommended.

▲ = Recommended

-- = Not recommended

## 8.2 Woolmark Wool Care - Blue



- The wool wash cycle of this machine has been approved by The Woolmark

Company for the washing of wool garments labelled as “hand wash” provided that the products are washed according to the instructions on the garment label and those issued by the manufacturer of this washing machine. M1756.




- The wool drying cycle of this machine has been tested and approved by The Woolmark Company. The cycle is suitable to dry wool garments which are labelled “hand wash” provided that the garments are washed in a Woolmark endorsed hand washing cycle and dried according to the instructions issued by the manufacturer. M1381.

The Woolmark symbol is a Certification mark in many countries.

## 8.3 Automatic drying



Initial cycle times for programmes with Auto Dry option are only estimates, the actual drying time may slightly differ from the time displayed.

Dryness Level	Type of fabric	Load
 <b>Extra Dry</b> For towelling materials	<b>Cottons and Linen</b> (bathrobes, bath towels, etc)	up to 4 kg
	<b>Denim garments</b>	up to 3 kg
 <b>Cupboard Dry</b> For items to be stored	<b>Cottons and Linen</b> (bathrobes, bath towels, etc)	up to 4 kg
	<b>Synthetics and mixed fabrics</b> (jumpers, blouses, underwear, household and bed linen)	up to 3 kg
	<b>Delicate fabrics</b> (acrylics, viscose and delicate mixed fabrics)	up to 2 kg
	<b>Wool items</b> (woollen jumpers)	up to 1 kg
	<b>Outdoor sporting garments</b> (outdoor clothing, technical, sport fabrics, waterproof and breathable jackets, shell jackets)	up to 2 kg
	<b>Denim garments</b>	up to 3 kg
	<b>Sportswear</b>	up to 3 kg
 <b>Iron Dry</b> Suitable for ironing	<b>Cottons and Linen</b> (sheets, tablecloths, shirts, etc)	up to 4 kg

## 8.4 Timed drying

Dryness Level	Type of fabric	Load (kg)	Spin speed (rpm)	Suggested duration (mins)
<b>Extra Dry</b> For towelling materials	<b>Cottons and Linen</b> (bathrobes, bath towels, etc)	4	1600	170 - 190
		2	1600	110 - 120
		1	1600	65 - 75
		<b>Denim garments</b>		3
<b>Cupboard Dry</b> For items to be stored	<b>Cottons and Linen</b> (bathrobes, bath towels, etc)	4	1600	160 - 180
		2	1600	100 - 110
		1	1600	55 - 65

Dryness Level	Type of fabric	Load (kg)	Spin speed (rpm)	Suggested duration (mins)
	<b>Synthetics and mixed fabrics</b> (jumpers, blouses, underwear, household and bed linen)	3	1200	135 - 150
		1	1200	45 - 55
	<b>Delicates</b> (acrylics, viscose and delicate mixed fabrics)	2	1200	155 - 165
		1	1200	95 - 105
	<b>Wool</b> (woollen jumpers)	1	1200	80 - 100
	<b>Outdoor sporting garments</b> (outdoor clothing, technical, sport fabrics, water-proof and breathable jackets, shell jackets)	2	1200	110 - 120
		1	1200	95 - 105
	<b>Denim garments</b>	3	1200	155 - 165
		1	1200	65 - 75
	<b>Sportswear</b>	3	1200	130 - 150
		1	1200	70 - 80
<b>Iron Dry</b> Suitable for ironing	<b>Cottons and Linen</b> (sheets, tablecloths, shirts, etc)	4	1600	110 - 125
		2	1600	65 - 75
		1	1600	40 - 50

## 9. SETTINGS

### 9.1 Acoustic signals

This appliance has different acoustic signals, that operate when:

- You activate the appliance (special short tune).
- You deactivate the appliance (special short tune).
- You touch the buttons (click sound).
- You make an invalid selection (3 short sounds).
- The programme is completed (sequence of sounds for about 2 minutes).
- The appliance has a malfunction (sequence of short sounds for about 5 minutes).



To **activate/deactivate** the acoustic signals when the programme is completed, touch the Wash Mode and the Prewash buttons simultaneously for about 2 seconds. The display shows On or Off.



If you deactivate the acoustic signals, they continue to operate when the appliance has a malfunction.



## 10. BEFORE FIRST USE

1. Make sure that the electrical power is available and the water tap is open.
2. Pour 2 litres of water into the detergent compartment marked by .  
This action activates the drain system.
3. Pour a small quantity of detergent into the compartment marked by .

4. Set and start a programme for cotton at the highest temperature without any laundry in the drum.  
This removes all possible dirt from the drum and the tub.

## 11. DAILY USE - WASHING ONLY

### **WARNING!**

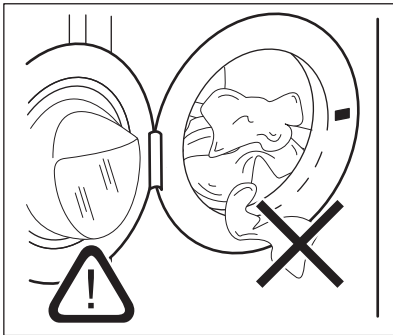
Refer to Safety chapters.

### 11.1 Activating the appliance

1. Connect the mains plug to the mains socket.
2. Open the water tap.
3. Press the On/Off button for a few seconds to activate the appliance.  
A short tune sounds.

### 11.2 Loading the laundry

1. Open the appliance door.
  2. Empty the pockets and unfold the items before you put them in the appliance.
  3. Put the laundry in the drum, one item at a time.
- Do not put too much laundry in the drum.
4. Close the door firmly.



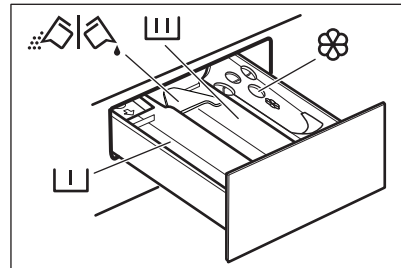
### **CAUTION!**

Make sure that no laundry gets caught between the seal and the door to avoid risk of water leakage and damage to the laundry.



Washing heavily oiled, greasy stains could cause damage to rubber parts of the washing machine.

### 11.3 Filling the detergent and additives



- Compartment for prewash phase, soak programme or stain remover.



- Compartment for washing phase.



- Compartment for fabric softener and other liquid treatments (fabric conditioner, starch).

**MAX** - Maximum level for quantity of liquid additives.

 - Flap for powder or liquid detergent.



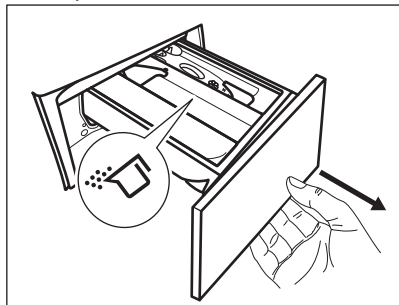
Always follow the instructions that you find on the packaging of the detergent products, but we recommend that you do not exceed the maximum indicated level (**MAX**). This quantity will however guarantee the best washing results.



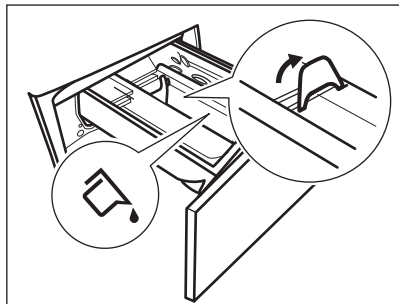
After a washing cycle, if necessary, remove any detergent residue from the detergent dispenser.

### 11.4 Check the position of the detergent flap

1. Pull out the detergent dispenser until it stops.

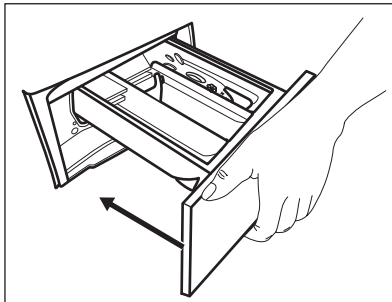


2. Press the lever down to remove the dispenser.
3. To use powder detergent, turn the flap up.
4. To use liquid detergent, turn the flap down.



With the flap in the position **DOWN**:

- Do not use gelatinous or thick liquid detergents.
  - Do not exceed to liquid detergent dose indicated on the flap.
  - Do not set the prewash phase.
  - Do not set the delay start function.
5. Measure out the detergent and the fabric conditioner.
  6. Carefully close the detergent dispenser.



Make sure that the flap does not cause a blockage when you close the drawer.

### 11.5 Setting a programme

1. Turn the programme dial to select the desired washing programme. The Eco 40-60 is the programme to which the information of the energy label relates.

The indicator of Wash Mode button illuminates.

The indicator of the Start / Pause  button flashes.

The display shows an indicative programme duration.


2. To change the temperature and/or the spin speed, touch the related buttons.
3. If desired, set one or more options by touching the related buttons. The related indicators will light up and the given information will change on the display accordingly.




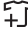
If a selection is **not possible** an acoustic signal sounds and the display shows

---.

## 11.6 Starting a programme

Touch the Start / Pause  button to start the programme. It is not possible to start the programme when the indicator of the button is off and doesn't flash (e.g. the door is open). The related indicator stops flashing and stays on.



The programme starts, the door is locked.

The display shows the indicator  and the  indicator appears to indicate that it is still possible to stop the cycle and add garments.



The drain pump can operate shortly before the appliance fills water.




## 11.7 Starting a programme with the delay start

1. Touch the Delay Start button repeatedly until the display shows the desired delay time. The related indicator comes on.
2. Touch the Start / Pause  button. The appliance door locks and starts the countdown of the delay start. The display shows the indicator .

When the countdown is completed, the programme starts automatically.


### Cancelling the delay start after the countdown has started


To cancel the delay start:

1. Touch the Start / Pause  button to pause the appliance. The related indicator flashes.
2. Touch the Delay Start button repeatedly until the display shows .
3. Touch the Start / Pause  button again to start the programme immediately.

### Changing the delay start after the countdown has started

To change the delay start:


1. Touch the Start / Pause  button to pause the appliance. The related indicator flashes.

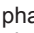
2. Touch the Delay Start button repeatedly until the display shows the desired delay time.
3. Touch the Start / Pause  button again to start the new countdown.

## 11.8 The SensiCare System load detection




The programme duration in the display is referred to a **medium/high load**.

After touching the Start / Pause  button, the maximum declared load indicator goes off, the SensiCare System starts the laundry load detection:

1. The appliance detects the load in the first 30 seconds. In the programmes where Time Manager is available, during this phase the Time Manager bars  placed below the time digits play a simple animation. The drum rotates shortly.
2. The programme duration could be adjusted accordingly and could increase or decrease. After further 30 seconds, the water filling starts.

At the end of the load detection, **in case of drum overload**, the indicator **MAX** is flashing in the display:

In this case, for 30 seconds, it is possible to pause the appliance and remove the exceeding garments.

Once removed the exceeding garments, touch the Start / Pause  button to start the programme again. The SensiCare phase can be repeated up to three times (see point 1).

**Important!** If the laundry amount will not be reduced, the washing programme starts anyway, despite the overload. In this case, it will be not possible to guarantee the best washing results.



About 20 minutes after the programme start, the programme duration could be adjusted again depending on the capacity of water absorption of the fabrics.





The SensiCare detection is carried out with complete washing programmes only and if the programme duration has not been reduced by means of the Time Manager button.



The SensiCare System is not available with all programmes such as :Wool, Rinse and programmes with short cycles.

## 11.9 Interrupting a programme and changing the options

When the programme is running, you can change **only some** options:

1. Touch the Start / Pause  button. The related indicator flashes.
2. Change the options. The given information in the display changes accordingly.
3. Touch the Start / Pause  button again. The washing programme continues.


## 11.10 Cancelling a running programme

1. Press the button On/Off to cancel the programme and to deactivate the appliance.
2. Press the button On/Off again to activate the appliance.




If the SensiCare System has completed and the water filling has already started, the new programme starts **without repeating the SensiCare System**. The water and the detergent are not drained out in order to avoid waste. The display shows the maximum duration of the programme, updating it about 20 minutes after the starting of the new programme.

There is also an alternative way of cancelling:

1. Rotate the selector knob to the "Reset" position .
2. Wait for 1 second. The display shows ---.


Now, you can set a new washing programme.

## 11.11 Opening the door - Adding garments


If the  icon is on, you can always open the door.





If the temperature and level of the water in the drum are too high and/or the drum is still rotating you should not open the door.

While a programme or the delay start operates, the appliance door is locked. The display shows the indicator .

## 11.12 End of the programme

When the programme has finished, the appliance stops automatically. The acoustic signals operate (if they are active). The display shows .

The indicator of the Start / Pause  button goes off.

The door unlocks and the indicator  goes off.

1. Press button On/Off to deactivate the appliance.

After five minutes from the end of the programme, the energy saving function automatically deactivates the appliance.



When you activate the appliance again, the display shows the end of the previous programme. Turn the programme dial to set a new cycle.

2. Remove the laundry from the appliance.
3. Make sure that the drum is empty.
4. Keep the door and the detergent dispenser slightly ajar to prevent mildew and odours.

### 11.13 Draining water out after end of cycle

If you have chosen a programme or an option that does not empty out the water of the last rinse, the programme is completed, but:

- The time area shows and the display shows the door locked .
  - The indicator of the Start / Pause button starts flashing.
  - The drum still turns at regular intervals to prevent creases in the laundry.
  - The door stays locked.
  - You must drain the water to open the door:
1. If necessary, touch the Spin button to decrease the spin speed proposed by the appliance.
  2. Press the Start / Pause button: the appliance drains the water and spins.

The option indicator Rinse Hold disappears.



If you have selected No Spin , the appliance will only drain the water.

3. When the programme is completed and the door locked indicator goes off, you can open the door.
4. Press the On/Off button for a few seconds to deactivate the appliance.

### 11.14 Stand-by function

The Stand-by function automatically deactivates the appliance to reduce the energy consumption when:

- You do not use the appliance for 5 minutes when no programme is running. Press the button On/Off to activate the appliance again.
- 5 minutes after the end of the washing programme. Press the On/Off button to activate the appliance again. The display shows the end of the last programme. Turn the programme dial to set a new cycle.

If the dial is rotated to the "Reset" position , the appliance automatically turns off in 30 seconds.



If you set a programme or an option that ends with water in the drum, the Stand-by function **doesn't deactivate** the appliance to remind you to drain the water.

## 12. DAILY USE - WASHING & DRYING



### WARNING!

Refer to Safety chapters.




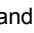
This appliance is an automatic washer dryer.

## 12.1 Complete wash&dry programme




### Non-automatic wash&dry programmes

In some washing programmes, you can combine Wash Mode and Dry Mode for running a complete wash&dry programme.

Proceed as follows:

1. After loading laundry and detergent, press the On/Off button for some seconds to activate the appliance.
2. Load the laundry one item at a time.
3. Put the detergent and the additives in the appropriate compartment.
4. Turn the programme dial to the washing programme. The appliance defaults to the washing only mode and the indicator of the Wash Mode button is on. The display shows the default temperature and spin. If necessary, change them according to your laundry. The display also shows the maximum recommended load for washing phase.
5. Set the desired options, if there are available.
6. Tap on the Dry Mode button to activate also the drying function. Both indicators of the Wash Mode and Dry Mode buttons are on. The indicators  and  appear on the display. The display also shows the maximum recommended load for a washing and drying programme (e.g. 4 kg for cottons).


### 12.2 Washing and Drying - Automatic levels


1. Tap on the Auto Dry button repeatedly until the display shows the required dryness level. The indicators in the display illuminate accordingly:
  - a.  **Iron dry:** for cotton items;
  - b.  **Cupboard dry:** for cotton and synthetic items;
  - c.  **Extra dry:** for cotton items.

**The time value on the display is the duration of both cycles washing and drying, calculated on a default load size.**




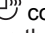

To have a good drying by using less energy and in a shorter time, the appliance does not let you set a too low spin speed for the items to be washed and dried.


2. Touch button Start / Pause  to start the programme. The SensiCare estimation starts.

In the display the door locked  indicator comes on.

The display also shows the remaining programme time.




### 12.3 Washing and Timed Drying

1. Tap on the Time Dry button repeatedly to set the desired time value (see the "Timed drying" table in the "Programmes" chapter). The drying level indicator  goes off and the indicator  comes on. Each time you tap on this button the time value increases by 5 minutes. The display shows the set new time value.
2. Touch the Start / Pause  button to start the programme. The SensiCare estimation starts.

In the display the door locked  indicator comes on.

The display also shows the remaining programme time.

### 12.4 At the end of the drying programme

- The appliance stops automatically.
- The acoustic signals operate (if they are active).
- In the display  comes on.
- The indicator of the Start / Pause button  goes off. The door locked  goes off. The appliance continues to operate with the anti-crease phase for approximately 30 minutes or more if Anti-crease option was set. The anti-crease phase reduces creasing. You can remove the laundry before the anti-crease phase is completed. We recommend, for better results, that you

remove the laundry when the phase is almost completed or completed. The

indicator  remains lit.

- Press the On/Off button for some seconds to deactivate the appliance.



After some minutes from the end of the programme, the energy saving function deactivates the appliance automatically.

1. Remove the laundry from the appliance.
2. Make sure that the drum is empty.



After drying phase, clean the drum, the seal and the inside of the door with a wet cloth.

## 13. DAILY USE - DRYING ONLY

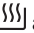
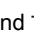

### **WARNING!**

Refer to Safety chapters.



This appliance is an automatic washer dryer.

### 13.1 Preparation to drying

1. Press the On/Off button for some seconds to activate the appliance.
2. Load the laundry one item at a time.
3. Turn the programme dial to the programme suitable for the items to dry. The appliance defaults to the washing only mode and the indicator of the Wash Mode button is on.
4. Tap on the Dry Mode button twice to perform drying only. The indicator of Dry Mode button illuminates and the indicator of Wash Mode button goes off. The indicators  and  appear on the display and the indicator  disappears.






When drying a big amount of laundry, to have good drying performances, make sure that the laundry itself is not rolled up and that is uniformly distributed in the drum.


### 13.2 Drying - Automatic levels


1. Tap on the Auto Dry button repeatedly until the display shows the required

dryness level. The indicators in the display illuminate accordingly:

- a.  **Iron dry**: for cotton items;
- b.  **Cupboard dry**: for cotton and synthetic items;
- c.  **Extra dry**: for cotton items.



**The display shows the drying programme duration.**

2. Touch the Start / Pause  button to start the programme.


In the display the door locked  indicator comes on.


The display also shows the remaining programme time.

### 13.3 Timed Drying

1. Tap on the Time Dry button repeatedly to set the desired time value (see the "Timed drying" table in the "Programmes" chapter). The drying level indicator  goes off and the indicator  comes on.




Each time you tap on this button the time value increases by 5 minutes. The display shows the set new time value.

2. Touch the Start / Pause  to start the programme.

In the display the door locked  indicator comes on.

The display also shows the remaining programme time.

## 13.4 At the end of the drying programme

- The appliance stops automatically.
- The acoustic signals operate (if they are active).
- In the display  comes on.
- The indicator of the Start / Pause button  goes off. The door locked  goes off.

The appliance continues to operate with the anti-crease phase for approximately 30 minutes or more if Anti-crease option was set.

The anti-crease phase reduces creasing. You can remove the laundry before the anti-crease phase is completed. We recommend, for better results, that you remove the laundry when the phase is

almost completed or completed. The

indicator  remains lit.

- Press the On/Off button for some seconds to deactivate the appliance.



After some minutes from the end of the programme, the energy saving function deactivates the appliance automatically.

1. Remove the laundry from the appliance.
2. Make sure that the drum is empty.



After drying phase, clean the drum, the seal and the inside of the door with a wet cloth.

## 14. FLUFF IN THE FABRICS

During the washing and/or drying phase, some types of fabric, (sponge, wool, sweatshirt) could release fluff.


The released fluff could stick to the fabrics during the next cycle.

This inconvenient increases with technical fabrics.

To prevent the fluff in your laundry, we recommend that you:

- To do not wash dark fabrics after you washed and dried light coloured fabrics (hand towel, wool, sweatshirt ) and the contrary.
- To dry this type of fabrics at open air when they are washed the first time.
- To clean the drain filter.
- After the drying phase, clean the empty drum, the gasket and the door with a wet cloth.

**To remove the fluff inside the drum, set a special programme:**

- Empty the drum.
- Clean the drum, the gasket and the door with a wet cloth.
- Set the Machine Clean programme and the Dry Mode together to activate the anti-fluff action.
- Touch the Start / Pause  button to start the programme.



If the appliance is frequently used, carry out the cleaning programme regularly.

## 15. HINTS AND TIPS

### **WARNING!**

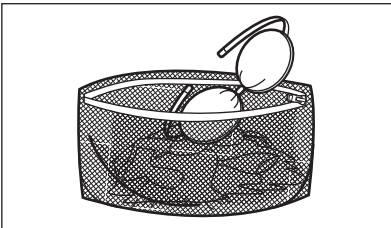
Refer to Safety chapters.

### 15.1 The laundry load

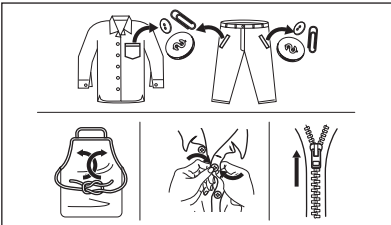
- Divide the laundry into: white, coloured, synthetics, delicates and wool.
- Follow the washing instructions on the laundry care labels.



- Do not wash white and coloured items together.
- Some coloured items can discolour with the first wash. We recommend that you wash them separately for the first couple of times.
- Turn multilayered fabrics, wool and items with printed illustrations inside out.
- Pre-treat stubborn stains.
- Wash stubborn stains with a special detergent.
- Be careful with curtains. Remove the hooks and put the curtains in a washing bag or pillowcase.
- A very small load can cause balance problems with the spin phase leading to excessive vibration. If this occurs:
  - a. interrupt the programme and open the door (refer to "Daily Use" chapter);
  - b. manually redistribute the load so that the items are spaced evenly around the tub;
  - c. press the Start / Pause button. The spin phase continues.
- Button up pillowcases, close zippers, hooks and poppers. Tie up belts, cords, shoelaces, ribbons and any other loose elements.
- Do not wash laundry without hems or with cuts. Use a washing bag to wash small and/or delicate items (e.g. underwired bras, belts, tights, shoelaces, ribbons, etc. ).



- Empty pockets and unfold the items.



## 15.2 Stubborn stains

For some stains, water and detergent is not sufficient.

We recommend that you pre-treat these stains before you put the items in the appliance.

Special stain removers are available. Use the special stain remover that is applicable to the type of stain and fabric.

Do not spray stain remover on garments near the appliance as it is corrosive to the plastic parts.



## 15.3 Detergent type and quantity

The choice of detergent and use of correct quantities not only affects your wash performance, but also helps to avoid waste and protect the environment:

- Use only detergents and other treatments specially made for washing machines. First, follow these generic rules:
  - powder detergents (also tablets and single-dose detergents) for all types of fabric, excluding delicate. Prefer powder detergents containing bleach for whites and laundry sanitization,
  - liquid detergents (also single-dose detergents) , preferably for low temperature wash programmes (60 °C max) for all types of fabric, or special ones for woollens only.
- The choice and quantity of detergent will depend on: type of fabric (delicates, woollens, cotons, etc), the colour of clothes, size of the load, degree of soiling, wash temperature and hardness of the water used.
- Follow the instructions that you find on packaging of the detergents or other treatments without exceeding the indicated maximum level (**MAX**).

- Do not mix different types of detergents.
- Use less detergent if:
  - you are washing a small load,
  - the laundry is lightly soiled,
  - there is large amounts of foam during washing.
- When using detergent tabs or pods, always put them inside the drum, not in the detergent dispenser and follow the manufacturer's recommendations .

#### **Insufficient detergent may cause:**

- unsatisfactory washing results,
- the wash load to turn grey,
- greasy clothes,
- mould in the appliance.

#### **Excessive detergent may cause:**

- sudsing,
- reduced washing effect,
- inadequate rinsing,
- a greater impact for the environment.

## **15.4 Ecological hints**

To save water, energy and to help protect the environment, we recommend that you follow these tips:

- **Normally soiled laundry** may be washed **without prewash** in order to save detergent, water and time (the environment is protected too!).
- Loading the appliance to the **maximum capacity indicated for each programmes helps to reduce energy and water consumption.**
- With adequate pre-treatment, stains and limited soiling can be removed; the laundry can then be washed at a lower temperature.
- To use the correct quantity of detergent, refer to the quantity suggested by the detergent producer and check the water hardness of you domestic system. Refer to 'Water hardness'.
- Set the **maximum possible spin speed** for the selected programme for saving energy during drying phase!

## **15.5 Water hardness**

If the water in your area is hard or medium hard, we recommend that you use a water softener for washing machines.

In areas where the water is soft it is not necessary to use a water softener.

To find out the water hardness in your area, contact your local water authority.

Use the correct quantity of water softener. Follow the instructions that you find on the packaging of the product.

## **15.6 Prepare the drying cycle**

- Open the water tap.
- Check if the drain hose is connected properly. Refer to installation chapter for more information.
- For the maximum laundry load of the drying programmes, refer to the drying programmes table.





## **15.7 Items not suitable for drying**

### **Do not set a drying programme for this laundry:**

- Synthetic curtains.
- Pieces of clothing with metal inserts.
- Nylon stockings.
- Quilts.
- Bed covers.
- Duvets.
- Anoraks.
- Sleeping bags.
- Fabrics with residue of hair sprays, nail solvents or similar.
- Garments with foam-rubber or materials similar to foam-rubber.

## **15.8 Garment labels**

When you dry the laundry, obey the indications on the labels of the manufacturers:

-  = The item can be tumble dried
-  = The drying cycle is at high temperature
-  = The drying cycle is at reduced temperature
-  = The item can not be tumble dried.

## **15.9 Drying cycle duration**


The drying time can change depending on:

- speed of the last spin
- dryness level

- type of laundry
- weight of the load

### 15.10 Additional drying

If, at the end of the drying programme, the laundry is still damp, set a short drying cycle again.

 **WARNING!**  
**To avoid creasing and shrinkage do not overdry the laundry.**

### 15.11 General Tips

Refer to the «Drying programmes» table to find the **average** drying times.


Experience will help you to dry the laundry better. Take note of the duration of the cycles done before.

To avoid the static charge at the end of the drying cycle:

1. Use fabric conditioner in the washing cycle.
2. Use special fabric conditioner for tumble dryers.

When the drying programme is completed remove the laundry promptly.

## 16. CARE AND CLEANING

 **WARNING!**  
 Refer to Safety chapters.

### 16.1 Periodic cleaning schedule

**Periodic cleaning helps to extend the life of your appliance.**

After each cycle, keep the door and the detergent dispenser slightly ajar to get air circulation and dry the humidity inside the appliance: this will prevent mildew and odours.

If the appliance is not used for a long time: close the water tap and unplug the appliance.

#### Indicative periodic cleaning schedule:

Descaling	Twice a year
Maintenance wash	Once a month
Clean door seal	Every two months
Clean drum	Every two months
Remove fluff inside the drum	Twice a month <b>1)</b>
Clean detergent dispenser	Every two months
Clean drain pump filter	Twice a year

---


Clean the inlet hose and the valve filter      Twice a year

---

- 1)** Refer to "Fluff in the fabrics" chapter.

The following paragraphs explain how you should clean each part.

### 16.2 Removing foreign objects

 Make sure that pockets are empty and all loose elements are tied up before running your cycle. Refer to "The laundry load" in "Hints and tips".

Remove any foreign objects (such as metal clip, buttons, coins, etc) that you may find in the door seal, the filters and the drum. Refer to "Door seal with double lip trap", "Cleaning the drum", "Cleaning the drain pump" and "Cleaning the inlet hose and the valve filter" paragraphs. If necessary, please contact the Authorised Service Centre.

### 16.3 External cleaning

Clean the appliance with mild soap and warm water only. Fully dry all the surfaces. Do not use a scouring pads or any scratching material.

**⚠ CAUTION!**

Do not use alcohol, solvents or chemical products.

**⚠ CAUTION!**

Do not clean the metal surfaces with chlorine-based detergent.

## 16.4 Descaling



If the water in your area is hard or medium hard, we recommend that you use a water softener for washing machines.

Regularly examine the drum to check for limescale.

Regular detergents already contain water softening agents, but we recommend to run a cycle with an empty drum and a descaling product.



Always follow the instructions that you find on the packaging of the product.

## 16.5 Maintenance wash

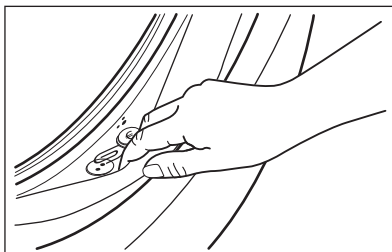
The repeated and prolonged use of low temperature programmes can cause detergent deposits, fluff residues, bacterial growth inside the drum and the tub. This could generate bad odours and mildew. To eliminate these deposits and clean the inner part of the appliance, run a maintenance wash regularly (at least once a month).



Refer to "Cleaning the drum" paragraph.

## 16.6 Door seal with double lip trap

This appliance is designed with a **self cleaning draining system**, allowing light fluff fibers that fall off the clothes to be drained out with the water. Regularly examine the seal. Coins, buttons, other small items can be recovered at the end of the cycle.



Clean it when needed, using ammonia cream cleanser agent without scratching the seal surface.



Always obey the instructions that you find on the packaging of the product.

Check and remove objects (if there are any) that could be trapped in the fold.

Make sure that no laundry remains between the seal and the door.

Use a moist cloth to wipe off any dirt or water residue left behind in the door seal after completion of program cycle.

## 16.7 Cleaning the drum

Regularly examine the drum to prevent unwanted deposits.

Rust deposits in the drum may occur due to rusting foreign body in the washing or tap water containing iron

Clean the drum with special products for stainless steel.




Always follow the instructions that you find on the packaging of the product. Do not clean the drum with acidic descaling products, scouring products containing chlorine or iron or steel wool.

For a thorough clean:

1. Remove all laundry from the drum.
2. Run the Machine Clean programme. For more details, refer to washing programme table.
3. Add a small quantity of powder detergent into the empty drum, in order to rinse out any left residues.

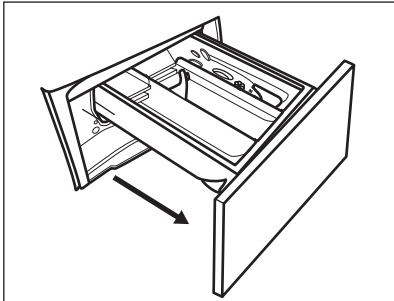


Occasionally, at the end of a cycle the display may show the icon : this is a recommendation to perform the "drum cleaning". Once the drum cleaning has been performed, the icon disappears.

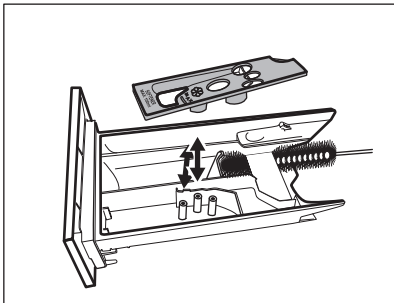
## 16.8 Cleaning the detergent dispenser

To prevent possible deposits of dried detergent or clotted fabric softener and/or formation of mould in the detergent dispenser drawer, once in a while carry out the following cleaning procedure:

1. Open the drawer. Press the catch downwards as indicated in the picture and pull it out.

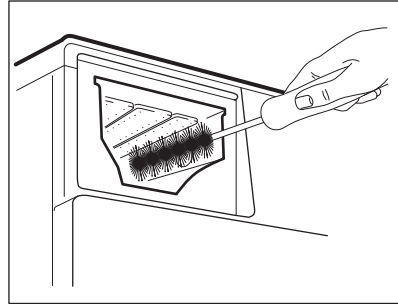


2. Remove the top part of the additive compartment to aid cleaning and flush it out under running warm water, to remove any traces of accumulated detergent. After cleaning, put the top part back into position.

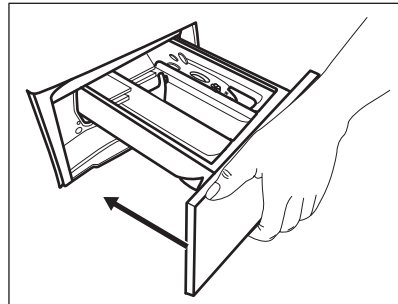


3. Make sure that all detergent residue is removed from the upper and lower part of

the recess. Use a small brush to clean the recess.



4. Insert the detergent drawer into the guide rails and close it. Run the rinsing programme without any clothes in the drum.



## 16.9 Cleaning the drain pump

### **WARNING!**

Disconnect the mains plug from the mains socket.



Regularly check the drain pump filter and make sure that it is clean.

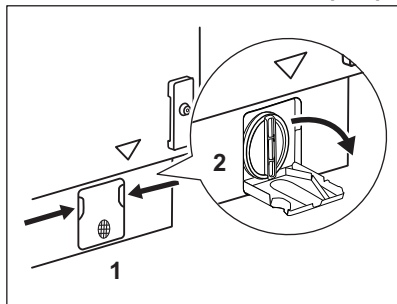
Clean the drain pump if:

- The appliance does not drain the water.
- The drum does not turn.
- The appliance makes an unusual noise because of the blockage of the drain pump.
- The display shows the alarm code *E20*.

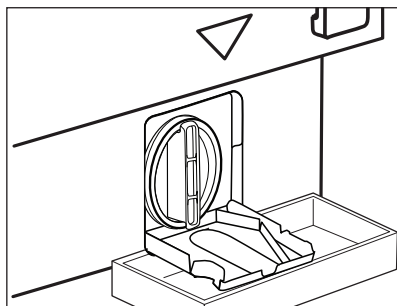
**⚠ WARNING!**

- Do not remove the filter while the appliance operates.
- Do not clean the pump if the water in the appliance is hot. Wait until the water cools down

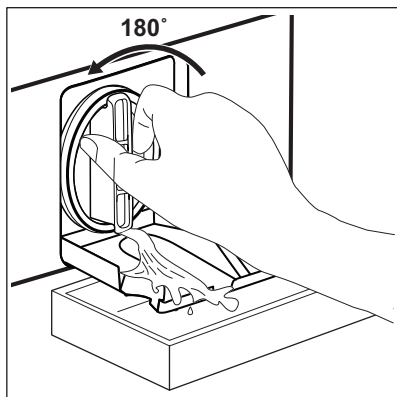
**Proceed as follows to clean the pump:**



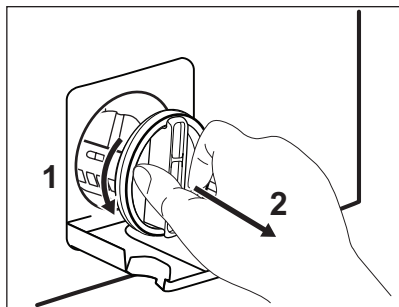
1. Open the pump cover.



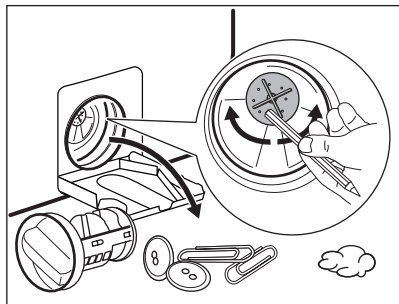
2. Place a suitable bowl below the drain pump access to collect the water that flows out. Always keep a rag nearby to dry up any water spillages when removing the filter.



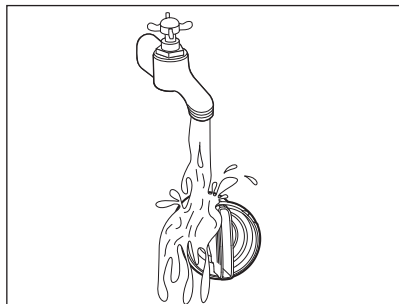
3. Turn the filter 180 degrees in anti-clockwise direction to open it, without removing. Let the water flow out.  
4. When the bowl is full of water, turn the filter back and empty the container.  
5. Repeat the steps 3 and 4 until the water stops to flow out.



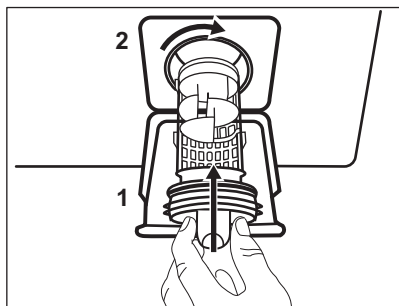
6. Turn the filter anti-clockwise to remove it



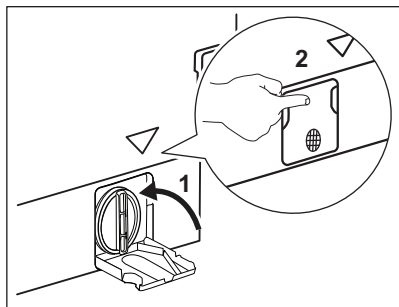
7. If it is necessary, remove fluff and objects from the filter recess.  
Make sure that the impeller of the pump can rotate.  
If it does not rotate, contact the Authorised Service Centre.



8. Clean the filter under the water tap.



9. Put the filter back into the special guides by turning it clockwise. Make sure that you tighten the filter correctly to prevent leakages.

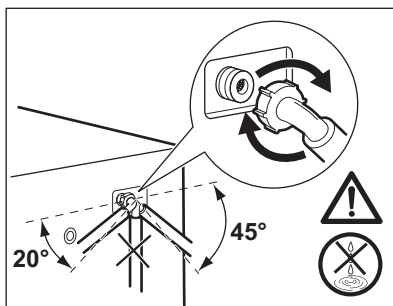
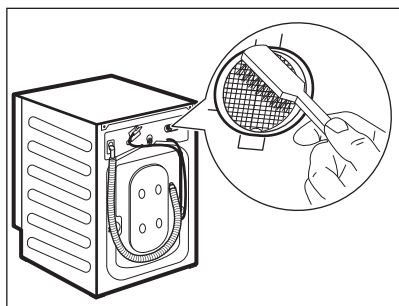
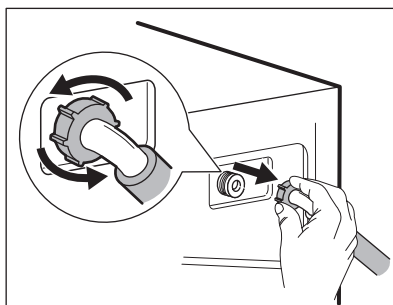
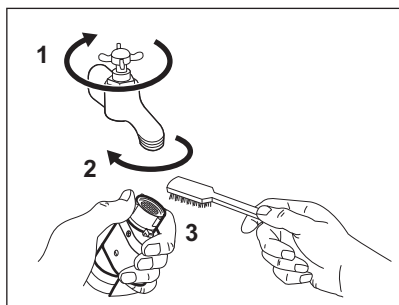


10. Close the pump cover.

When you drain the water with the emergency drain procedure, you must activate the drain system again:

1. Put 2 litres of water in the main wash compartment of the detergent dispenser.
2. Start the programme to drain the water.

### 16.10 Cleaning the inlet hose and the valve filter



### 16.11 Emergency drain

If the appliance cannot drain the water, carry out the same procedure, described in 'Cleaning the drain pump' paragraph. If necessary, clean the pump.

When you drain the water with the emergency drain procedure, you must activate the drain system again:

1. Put 2 litres of water in the main wash compartment of the detergent dispenser.
2. Start the programme to drain the water.



## 16.12 Frost precautions

If the appliance is installed in an area where the temperature can reach values around 0° C or drop below, remove the remaining water from the inlet hose and the drain pump.

1. Disconnect the mains plug from the mains socket.
2. Close the water tap.
3. Put the two ends of the inlet hose in a container and let the water flow out of the hose.

4. Empty the drain pump. Refer to the emergency drain procedure.
5. When the drain pump is empty, install the inlet hose again.

### **WARNING!**

Make sure that the temperature is higher than 0 °C before you use the appliance again.

The manufacturer is not responsible for damages caused by low temperatures.

## 17. TROUBLESHOOTING

### **WARNING!**

Refer to Safety chapters.

### 17.1 Alarm Codes and Possible failures

The appliance does not start or it stops during operation. First try to find a solution to the problem (refer to the tables).


### **WARNING!**

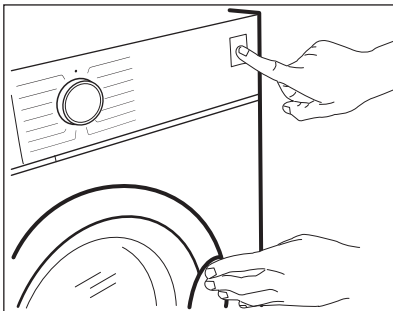
Deactivate the appliance before carrying out any check.

**With some problems, the display shows an alarm code and the Start /**

**Pause  button may flash continuously:**




If the appliance is overloaded, remove some items from the drum and/or keep pressed the door while touching the Start / Pause button until the indicator  stops flashing (see the picture below).



Problem	Possible solution
<b>E 10</b> The appliance does not fill with water properly.	<ul style="list-style-type: none"> <li>• Make sure that the water tap is open.</li> <li>• Make sure that the pressure of the water supply is not too low. For this information, contact your local water authority.</li> <li>• Make sure that the water tap is not clogged.</li> <li>• Make sure that the inlet hose has no kinks, damages or bends.</li> <li>• Make sure that the connection of the water inlet hose is correct.</li> <li>• Make sure that the filter of the inlet hose and the filter of the valve are not clogged. Refer to 'Care and cleaning'.</li> </ul>
<b>E20</b> The appliance does not drain the water.	<ul style="list-style-type: none"> <li>• Make sure that the sink spigot is not clogged.</li> <li>• Make sure that the drain hose has no kinks or bends.</li> <li>• Make sure that the drain filter is not clogged. Clean the filter, if necessary. Refer to "Care and cleaning".</li> <li>• Make sure that the connection of the drain hose is correct.</li> <li>• Set the drain programme if you set a programme without drain phase.</li> <li>• Set the drain programme if you set an option which ends with water in the tub.</li> </ul>
<b>E40</b> The appliance door is open or not closed correctly.	<ul style="list-style-type: none"> <li>• Make sure that the door is properly closed.</li> </ul>
<b>E91</b> Internal fail. No communication between electronic elements of the appliance.	<ul style="list-style-type: none"> <li>• The programme was not finished properly or the appliance stopped too early. Switch the appliance off and on again.</li> <li>• If the alarm code appears again, contact the Authorised Service Centre.</li> </ul>
<b>EKO</b> The mains supply is unstable.	<ul style="list-style-type: none"> <li>• Wait until mains supply is stable.</li> </ul>
<b>EFO</b> The anti-flood device is on.	<ul style="list-style-type: none"> <li>• Disconnect the appliance and close the water tap. Contact the Authorised Service Centre.</li> </ul>

If the display shows other alarm codes, deactivate and activate the appliance. If the problem continues, contact the Authorised Service Centre. In case of different problem with the appliance check the table below for possible solutions.

Problem	Possible solution
The programme does not start.	<ul style="list-style-type: none"> <li>• Make sure that the mains plug is connected to the mains socket.</li> <li>• Make sure that the appliance door is closed.</li> <li>• Make sure that there is no damaged fuse in the fuse box.</li> <li>• Make sure that the Start / Pause  has been touched.</li> <li>• If the delay start is set, cancel the setting or wait for the end of countdown.</li> <li>• Deactivate the Child Lock function if it is on.</li> <li>• Check the position of the knob on the selected programme.</li> </ul>
The appliance fills with water and drains immediately.	<ul style="list-style-type: none"> <li>• Make sure that the drain hose is in the correct position. The hose may be positioned too low. Refer to "Installation instruction".</li> </ul>

Problem	Possible solution
The spin phase does not operate or the washing cycle lasts longer than usual.	<ul style="list-style-type: none"> <li>• Set the spin programme.</li> <li>• Make sure that the drain filter is not clogged. Clean the filter, if necessary. Refer to "Care and cleaning".</li> <li>• Adjust manually the items in the tub and start the spin phase again. This problem may be caused by balance problems.</li> </ul>
There is water on the floor.	<ul style="list-style-type: none"> <li>• Make sure that the couplings of the water hoses are tight and there is not water leakages.</li> <li>• Make sure that the water inlet hose and the drain hose have no damages.</li> <li>• Make sure you use the correct detergent and the correct quantity of it.</li> </ul>
You cannot open the appliance door.	<ul style="list-style-type: none"> <li>• Make sure that a washing programme that ends with water in tub, has not been selected.</li> <li>• Make sure that the washing programme is finished.</li> <li>• Set the drain or the spin programme if there is water in the drum.</li> <li>• Make sure that the appliance receives electrical power.</li> <li>• This problem may be caused by a failure of the appliance. Contact the Authorised Service Centre. If you need to open the door, please read carefully "Emergency door opening".</li> </ul>
The appliance makes an unusual noise and vibrates.	<ul style="list-style-type: none"> <li>• Make sure the levelling of the appliance is correct. Refer to "Installation instruction".</li> <li>• Make sure that the packaging and/or the transit bolts are removed. Refer to "Installation instruction".</li> <li>• Add more laundry in the drum. The load may be too small.</li> </ul>
The programme duration increases or decreases during programme execution.	<ul style="list-style-type: none"> <li>• The SensiCare System is able to adjust the programme duration according to the type and the laundry load size. Refer to "The SensiCare System load detection" in "Daily Use" chapter.</li> </ul>
The washing results are not satisfactory.	<ul style="list-style-type: none"> <li>• Increase the detergent quantity or use a different detergent.</li> <li>• Use special products to remove the stubborn stains before you wash the laundry.</li> <li>• Make sure that you set the correct temperature.</li> <li>• Decrease the laundry load.</li> </ul>
Too much foam in the drum during the washing cycle.	<ul style="list-style-type: none"> <li>• Reduce the quantity of detergent or the number of tablets or single-dose detergents.</li> </ul>
After the washing cycle, there are some detergent residues in the dispenser drawer.	<ul style="list-style-type: none"> <li>• Make sure that the flap is in the correct position (UP for powder detergent - DOWN for liquid detergent).</li> <li>• Make sure you have used the detergent dispenser according the indications given in this user manual.</li> </ul>
The appliance does not dry or does not dry correctly.	<ul style="list-style-type: none"> <li>• Turn the water tap on.</li> <li>• Make sure the drain filter is not clogged.</li> <li>• Reduce the laundry load.</li> <li>• Make sure you have set the correct cycle. if necessary, set again a short drying time.</li> </ul>

Problem	Possible solution
The laundry is full of different colours fluff.	<p>The fabrics washed in the previous cycle released fluff of a different colour:</p> <ul style="list-style-type: none"> <li>• The drying phase helps to eliminate some fluff.</li> <li>• Clean the clothes with a fluff remover.</li> </ul> <p>In case of an excessive amount of fluff in the drum refer to "Fluff in the fabrics" paragraph for more details.</p>

After the check, activate the appliance. The programme continues from the point of interruption.

If the problem occurs again, contact the Authorised Service Centre.

The necessary data for the service centre are on the rating plate.

## 17.2 Emergency door opening

In case of power failure or functioning failure the appliance door remains locked. The washing programme continues when the power is restored. If the door remains locked in case of failure, it is possible to open it using the emergency unlock function.

Before opening the door:

### CAUTION!

**Risk of burns! Make sure that the water temperature is not too high and the laundry is not hot. If necessary, wait until they cool down.**

### CAUTION!

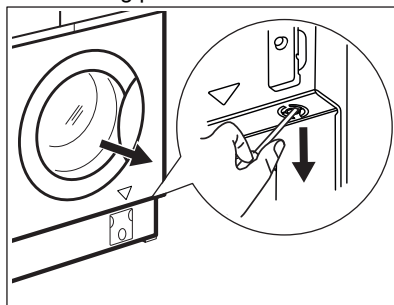
**Risk of injury! Make sure that the drum is not rotating. If necessary, wait until the drum stops rotating.**



**Make sure that the water level inside the drum is not too high. If necessary, proceed with an emergency drain (refer to «Emergency drain» in «Care and cleaning» chapter).**

To open the door, proceed as follows:

1. Press the On/Off button to switch the appliance off.
2. Disconnect the mains plug from the mains socket.
3. Pull the emergency unlock trigger downward once. Pull it once again, keep it tensed and, in the meanwhile, open the appliance door. The emergency unlock trigger is located where indicated by the following picture.



4. Take out the laundry and then close the appliance door.

## 18. CONSUMPTION VALUES

### 18.1 Introduction



See the web link [www.theenergylabel.eu](http://www.theenergylabel.eu) for detailed information about Energy Label.



The QR code on the energy label supplied with the appliance provides a web link to the information related to the performance of the appliance in the EU EPREL database. Keep the energy label for reference together with the user manual and all other documents provided with this appliance.

It is also possible to find the same information in EPREL using the link <https://eprel.ec.europa.eu> and the model name and product number that you find on the rating plate of the appliance. Refer to 'Product description' chapter for the position of the rating plate.

### 18.2 Legend

<b>kg</b>	Laundry load.	<b>hh:mm</b>	Programme duration.
<b>kWh</b>	Energy consumption.	<b>°C</b>	Temperature in the laundry.
<b>Litres</b>	Water consumption.	<b>rpm</b>	Spin speed.
<b>%</b>	Remaining moisture at the end of the cycle. The higher is the spin speed, the higher is the noise and the lower is the remaining moisture at the end of washing cycle.		



Values and programme duration may differ depending on different conditions (e.g. room temperature, water temperature and pressure, load size and type of laundry, supply voltage) and also if you change the default setting of a programme.

### 18.3 According to Commission Regulation Eu 2019/2023

#### Washing only

Eco 40-60 programme	kg	kWh	Litres	hh:mm	%	°C	rpm <sup>1)</sup>
Full load	8.0	0.770	54.0	03:20	52.00	37.0	1551

Eco 40-60 programme	kg	kWh	Litres	hh:mm	%	°C	rpm <sup>1)</sup>
Half load	4.0	0.430	44.0	02:25	52.00	32.0	1551
Quarter load	2.0	0.180	34.0	02:25	54.00	24.0	1551

1) Maximum spin speed.

### Wash and dry cycle

Eco 40-60 programme and Cup-board dry level	kg	kWh	Litres	hh:mm	%	°C	rpm <sup>1)</sup>
Full load	4	2.700	70.0	05:40	0.00	32.0	1551
Half load	2	1.378	46.0	04:30	0.00	25.0	1551

1) Maximum spin speed.

### Power consumption in different modes

Off (W)	Stand-by (W)	Delay start (W)
0.50	0.50	4.00

Time to Off/Standby mode is 15 minutes maximum.

## 18.4 Common programmes - Washing only



These values are indicative only.

Programme	kg	kWh	Litres	hh:mm	%	°C	rpm <sup>1)</sup>
Cottons <sup>2)</sup> 90°C	8.0	2.200	85.0	04:15	44.00	85.0	1600
Cottons 60°C	8.0	1.350	85.0	03:25	44.00	55.0	1600
Cottons <sup>3)</sup> 20°C	8.0	0.250	85.0	02:50	44.00	20.0	1600
Synthetics 40°C	3.0	0.650	75.0	02:25	35.00	40.0	1200
Delicates <sup>4)</sup> 30°C	2.0	0.360	50.0	01:10	35.00	30.0	1200

Programme	kg	kWh	Litres	hh:mm	%	°C	rpm <sup>1)</sup>
Wool 30°C	1.5	0.200	55.0	01:05	30.00	30.0	1200

- 1) Reference indicator of the spin speed.
- 2) Suitable for washing heavily soiled textiles.
- 3) Suitable for washing lightly soiled cottons, synthetic and mixed fabrics.
- 4) It also performs as quick washing cycle for lightly soiled laundry.

## 18.5 Common programmes - Wash and dry





These values are indicative only.

Programme	kg	kWh	Litres	hh:mm	%	°C	rpm <sup>1)</sup>
Synthetics 40°C	3.0	2.000	75.0	04:00	1.00	40.0	1200

- 1) Reference indicator of the spin speed.

## 19. ENVIRONMENTAL CONCERNS

Recycle materials with the symbol . Put the packaging in relevant containers to recycle it. Help protect the environment and human health by recycling waste of electrical and electronic appliances. Do not dispose of

appliances marked with the symbol  with the household waste. Return the product to your local recycling facility or contact your municipal office.

**electrolux.com**

157067910-A-262023



**CE**