



**SKB818E1DS**

<b>EN</b>	User Manual   <b>Refrigerator</b>	<b>2</b>
<b>IS</b>	Notendaleiðbeiningar   <b>Ísskápur</b>	<b>19</b>



## FOR PERFECT RESULTS

Thank you for choosing this AEG product. We have created it to give you impeccable performance for many years, with innovative technologies that help make life simpler – features you might not find on ordinary appliances. Please spend a few minutes reading to get the very best from it.

Visit our website to:



Get usage advice, brochures, trouble shooter, service and repair information:  
[www.aeg.com/support](http://www.aeg.com/support)



Register your product for better service:  
[www.registeraeg.com](http://www.registeraeg.com)



Buy Accessories, Consumables and Original spare parts for your appliance:  
[www.aeg.com/shop](http://www.aeg.com/shop)

## CUSTOMER CARE AND SERVICE

Always use original spare parts.

When contacting our Authorised Service Centre, ensure that you have the following data available: Model, PNC, Serial Number.

The information can be found on the rating plate.

 Warning / Caution-Safety information

 General information and tips

 Environmental information

Subject to change without notice.

## CONTENTS

1. SAFETY INFORMATION.....	2
2. SAFETY INSTRUCTIONS.....	4
3. INSTALLATION.....	6
4. CONTROL PANEL.....	9
5. DAILY USE.....	11
6. HINTS AND TIPS.....	13
7. CARE AND CLEANING.....	14
8. TROUBLESHOOTING.....	15
9. NOISES.....	17
10. TECHNICAL DATA.....	18
11. INFORMATION FOR TEST INSTITUTES.....	18
12. ENVIRONMENTAL CONCERNS.....	18

## 1. SAFETY INFORMATION

Before the installation and use of the appliance, carefully read the supplied instructions. The manufacturer is not responsible for any injuries or damage that are the result of incorrect

installation or usage. Always keep the instructions in a safe and accessible location for future reference.

## **1.1 Children and vulnerable people safety**

- This appliance can be used by children aged from 8 years and above and persons with reduced physical, sensory or mental capabilities or lack of experience and knowledge if they have been given supervision or instruction concerning the use of the appliance in a safe way and understand the hazards involved. Children aged from 3 to 8 years and persons with very extensive and complex disabilities are allowed to load and unload the appliance provided that they have been properly instructed. Children of less than 3 years of age should be kept away from the appliance unless continuously supervised.
- Children should be supervised to ensure that they do not play with the appliance.
- Children shall not carry out cleaning and user maintenance of the appliance without supervision.
- Keep all packaging away from children and dispose of it appropriately.

## **1.2 General Safety**

- This appliance is for storing food and beverages only.
- This appliance is designed for single household domestic use in an indoor environment.
- This appliance may be used in, offices, hotel guest rooms, bed & breakfast guest rooms, farm guest houses and other similar accommodation where such use does not exceed (average) domestic usage levels.
- To avoid contamination of food respect the following instructions:
  - do not open the door for long periods;
  - clean regularly surfaces that can come in contact with food and accessible drainage systems;

- store raw meat and fish in suitable containers in the refrigerator, so that it is not in contact with or drip onto other food.
- **WARNING:** Keep ventilation openings, in the appliance enclosure or in the built-in structure, clear of obstruction.
- **WARNING:** Do not use mechanical devices or other means to accelerate the defrosting process, other than those recommended by the manufacturer.
- **WARNING:** Do not damage the refrigerant circuit.
- **WARNING:** Do not use electrical appliances inside the food storage compartments of the appliance, unless they are of the type recommended by the manufacturer.
- Do not use water spray and steam to clean the appliance.
- Clean the appliance with a moist soft cloth. Only use neutral detergents. Do not use abrasive products, abrasive cleaning pads, solvents or metal objects.
- When the appliance is empty for long period, switch it off, defrost, clean, dry and leave the door open to prevent mould from developing within the appliance.
- Do not store explosive substances such as aerosol cans with a flammable propellant in this appliance.
- If the supply cord is damaged, it must be replaced by the manufacturer, its Authorised Service Centre or similarly qualified persons in order to avoid a hazard.

## 2. SAFETY INSTRUCTIONS

### 2.1 Installation

 **WARNING!**

Only a qualified person must install this appliance.

- Remove all the packaging.
- Do not install or use a damaged appliance.
- Do not use the appliance before installing it in the built-in structure due to safety manner.
- Follow the installation instructions supplied with the appliance.
- Always take care when moving the appliance as it is heavy. Always use safety gloves and enclosed footwear.
- Make sure the air can circulate around the appliance.
- At first installation or after reversing the door wait at least 4 hours before connecting the appliance to the power supply. This is to allow the oil to flow back in the compressor.
- Before carrying out any operations on the appliance (e.g. reversing the door), remove the plug from the power socket.

- Do not install the appliance close to radiators or cookers, ovens, or hobs, unless otherwise specified in the installation instructions.
- Do not expose the appliance to the rain.
- Do not install the appliance where there is direct sunlight.
- Do not install this appliance in areas that are too humid or too cold.
- When you move the appliance, lift it by the front edge to avoid scratching the floor.
- The appliance contains a bag of desiccant. This is not a toy. This is not food. Please dispose of it immediately.

## 2.2 Electrical connection

### **WARNING!**

Risk of fire and electric shock.

### **WARNING!**

When positioning the appliance, ensure the supply cord is not trapped or damaged.

### **WARNING!**

Do not use multi-plug adapters and extension cables.

- The appliance must be earthed.
- Make sure that the parameters on the rating plate are compatible with the electrical ratings of the mains power supply.
- Always use a correctly installed shockproof socket.
- Make sure not to cause damage to the electrical components (e.g. mains plug, mains cable, compressor). Contact the Authorised Service Centre or an electrician to change the electrical components.
- The mains cable must stay below the level of the mains plug.
- Connect the mains plug to the mains socket only at the end of the installation. Make sure that there is access to the mains plug after the installation.
- Do not pull the mains cable to disconnect the appliance. Always pull the mains plug.

## 2.3 Use

### **WARNING!**

Risk of injury, burns, electric shock or fire.



The appliance contains flammable gas, isobutane (R600a), a natural gas with a high level of environmental compatibility. Be careful not to cause damage to the refrigerant circuit containing isobutane.

- Do not change the specification of this appliance.
- Any use of the built-in product as free-standing is strictly prohibited.
- Do not put electrical appliances (e.g. ice cream makers) in the appliance unless they are stated applicable by the manufacturer.
- If damage occurs to the refrigerant circuit, make sure that there are no flames and sources of ignition in the room. Ventilate the room.
- Do not let hot items to touch the plastic parts of the appliance.
- Do not store flammable gas and liquid in the appliance.
- Do not put flammable products or items that are wet with flammable products in, near or on the appliance.
- Do not touch the compressor or the condenser. They are hot.
- Do not allow food to come in contact with the inner walls of the appliance compartments.

## 2.4 Internal lighting

### **WARNING!**

Risk of electric shock.

- This product contains one or more light sources of energy efficiency class F.
- Concerning the lamp(s) inside this product and spare part lamps sold separately: These lamps are intended to withstand extreme physical conditions in household appliances, such as temperature, vibration, humidity, or are intended to signal information about the operational status of the appliance. They are not

intended to be used in other applications and are not suitable for household room illumination.

## 2.5 Care and cleaning

### **WARNING!**

Risk of injury or damage to the appliance.

- Before maintenance, deactivate the appliance and disconnect the mains plug from the mains socket.
- This appliance contains hydrocarbons in the cooling unit. Only a qualified person must do the maintenance and the recharging of the unit.
- Regularly examine the drain of the appliance and if necessary, clean it. If the drain is blocked, defrosted water collects in the bottom of the appliance.

## 2.6 Service

- To repair the appliance contact the Authorised Service Centre. Use original spare parts only.
- Please note that self-repair or non-professional repair can have safety consequences and might void the guarantee.
- The following spare parts will be available for 7 years after the model has been

discontinued: thermostats, temperature sensors, printed circuit boards, light sources, door handles, door hinges, trays and baskets. Please note that some of these spare parts are only available to professional repairers, and that not all spare parts are relevant for all models.

- Door gaskets will be available for 10 years after the model has been discontinued.

## 2.7 Disposal

### **WARNING!**

Risk of injury or suffocation.

- Disconnect the appliance from the mains supply.
- Cut off the mains cable and discard it.
- Remove the door to prevent children and pets to be closed inside of the appliance.
- The refrigerant circuit and the insulation materials of this appliance are ozone-friendly.
- The insulation foam contains flammable gas. Contact your municipal authority for information on how to discard the appliance correctly.
- Do not cause damage to the part of the cooling unit that is near the heat exchanger.

# 3. INSTALLATION

### **WARNING!**

Refer to Safety chapters.

### **WARNING!**

Refer to installation instruction document to install your appliance.

### **WARNING!**

Fix the appliance in accordance with installation instruction document to avoid a risk of instability of the appliance.

### 3.1 Dimensions



Overall dimensions <sup>1</sup>		
H1	mm	1772
W1*	mm	548
D1	mm	549

<sup>1</sup> the height, width and depth of the appliance including the handle, plus the space necessary for free circulation of the cooling air

\* including the width of the bottom hinges (8 mm)

Space required in use <sup>2</sup>		
H2 (A+B)	mm	1816
W2*	mm	548
D2	mm	551

Space required in use <sup>2</sup>		
A	mm	1780
B	mm	36

<sup>2</sup> the height, width and depth of the appliance including the handle, plus the space necessary for free circulation of the cooling air

\* including the width of the bottom hinges (8 mm)

Overall space required in use <sup>3</sup>		
H3 (A+B)	mm	1816
W3*	mm	548

### Overall space required in use <sup>3</sup>

D3	mm	1071
----	----	------

<sup>3</sup> the height, width and depth of the appliance including the handle, plus the space necessary for free circulation of the cooling air, plus the space necessary to allow door opening to the minimum angle permitting removal of all internal equipment

\* including the width of the bottom hinges (8 mm)

## 3.2 Location

To ensure appliance's best functionality, you should not install the appliance in a place with direct sunlight. Do not install the appliance close to radiators or cookers, ovens, or hobs, unless otherwise specified in the installation instructions.

Make sure that air can circulate freely around the back of the cabinet.

This appliance should be installed in a dry, well ventilated indoor position.

This appliance is intended to be used at ambient temperature ranging from 10°C to 38°C.



The correct operation of the appliance can only be guaranteed within the specified temperature range.



If you have any doubts regarding where to install the appliance, please turn to the vendor, to our customer service or to the nearest Authorised Service Centre.



It must be possible to disconnect the appliance from the mains power supply. The plug must therefore be easily accessible after installation.

## 3.3 Electrical connection

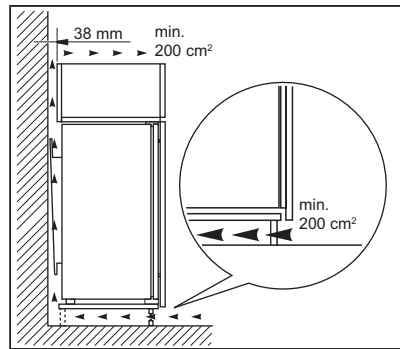
- Before plugging in, ensure that the voltage and frequency shown on the rating plate

correspond to your domestic power supply.

- The appliance must be earthed. The power supply cable plug is provided with a contact for this purpose. If the domestic power supply socket is not earthed, connect the appliance to a separate earth in compliance with current regulations, consulting a qualified electrician.
- The manufacturer declines all responsibility if the above safety precautions are not observed.

## 3.4 Ventilation requirements

The airflow behind the appliance must be sufficient.



### ⚠ CAUTION!

Refer to the installation instructions for the installation.

## 3.5 Door reversibility

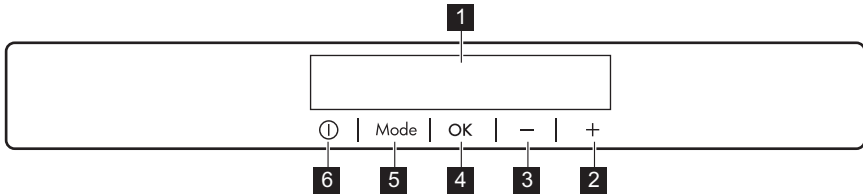
Please refer to the separate document with instructions on installation and door reversal.

### ⚠ CAUTION!

At every stage of reversing the door protect the floor from scratching with a durable material.



## 4. CONTROL PANEL



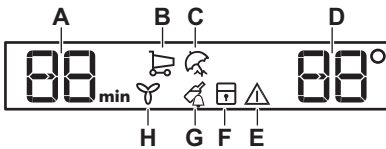
- 1** Display
- 2** Temperature warmer button
- 3** Temperature colder button
- 4** OK

- 5** Mode
- 6** ON/OFF

It is possible to change predefined sound of buttons by pressing together Mode and

temperature colder button for a few seconds. Change is reversible.

### 4.1 Display



- A.** Timer indicator
- B.** Coolmatic function
- C.** Holiday mode
- D.** Temperature indicator
- E.** Alarm indicator
- F.** ChildLock function
- G.** DrinksChill function
- H.** DYNAMICAIR function

### 4.2 Switching on

1. Connect the mains plug to the power socket.
2. Press the appliance ON/OFF if the display is off. The temperature indicators show the set default temperature.

To select a different set temperature refer to "Temperature regulation".

If "dEMo" appears on the display, refer to "Troubleshooting".

### 4.3 Switching off

1. Press the appliance ON/OFF for 3 seconds.

The display switches off.

2. Disconnect the mains plug from the power socket.

### 4.4 Temperature regulation

Set the temperature of the appliance by pressing the temperature regulators.

Recommended set temperature is:

- +4°C for the fridge

The temperature range may vary between 2°C and 8°C for fridge.

The temperature indicators show the set temperature.



The set temperature will be reached within 24 hours.

After a power failure the set temperature remains stored.

## 4.5 Coolmatic function

If you need to insert in the fridge compartment a large amount of warm food, for example after doing the grocery shopping, we suggest activating the Coolmatic function to chill the products more rapidly and to avoid warming the other food which is already in the refrigerator.

1. Press the Mode until the corresponding icon appears.

The Coolmatic indicator flashes.

2. Press the OK to confirm.

The Coolmatic indicator is shown. When the Coolmatic function is on, the fan may work automatically.

This function stops automatically after approximately 6 hours.

You can deactivate the Coolmatic function before its automatic end by repeating the procedure or by selecting a different fridge set temperature.

## 4.6 Holiday mode

This mode allows you to keep the appliance empty during a long holiday period reducing the formation of bad odours.

1. Press the Mode until the corresponding icon appears.

The Holiday indicator flashes. The temperature indicator shows the set temperature.

2. Press the OK to confirm.

The Holiday indicator is shown.



This mode switches off after selecting a different temperature.

## 4.7 DYNAMICAIR function

The refrigerator compartment is equipped with a device that allows rapid cooling of food and keeps more uniform temperature in the compartment.

This device activates automatically when needed or manually.

To switch on the function:

1. Press the Mode button until the corresponding icon appears.  
The DYNAMICAIR indicator flashes.

2. Press the OK button to confirm.  
The DYNAMICAIR indicator is shown.

To switch off the function repeat the procedure until the DYNAMICAIR indicator turns off.



If the function is activated automatically the DYNAMICAIR indicator is not shown (refer to "DYNAMICAIR" section in "Daily use").

The activation of the DYNAMICAIR function increase the energy consumption.

The fan operates only when the door is closed.

## 4.8 ChildLock function

Activate the ChildLock function to lock the buttons from unintentional operation.

1. Press Mode until the corresponding icon appears.

The ChildLock indicator flashes.

2. Press OK to confirm.

The ChildLock indicator is shown.

To deactivate the ChildLock function, repeat the procedure until the ChildLock indicator turns off.

## 4.9 DrinksChill function

The DrinksChill function is to be used to set an acoustic alarm at the preferred time, useful for example when a recipe requires to cool down food products for a certain period of time.

1. Press Mode until the corresponding icon appears.

The DrinksChill indicator flashes.

The Timer shows the set value (30 minutes) for a few seconds.

2. Press the Timer regulator to change the Timer set value from 1 to 90 minutes.

3. Press OK to confirm.

The DrinksChill indicator is shown.

The Timer starts to flash (min).

At the end of the countdown the "0 min" indicator flashes and an audible alarm sounds. Press OK to switch off the sound and terminate the function.

To switch off the function repeat the procedure until the DrinksChill indicator turns off.



It is possible to change the time at any time during the countdown and at the end by pressing the Temperature colder button and the Temperature warmer button.

#### 4.10 Door open alarm

If the fridge door is left open for approximately 5 minutes, the sound is on and alarm indicator flashes.

The alarm stops after closing the door. During the alarm, the sound can be muted by pressing any button.



If you do not press any button, the sound switches off automatically after around one hour to avoid disturbing.

## 5. DAILY USE

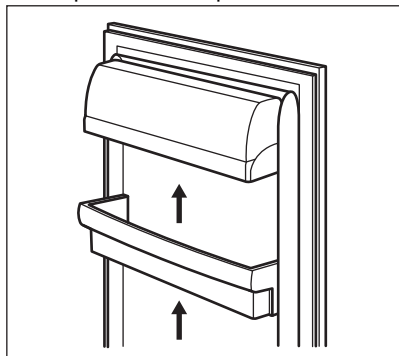
### CAUTION!

This refrigerating appliance is not suitable for freezing foodstuffs.

#### 5.1 Positioning the door shelves

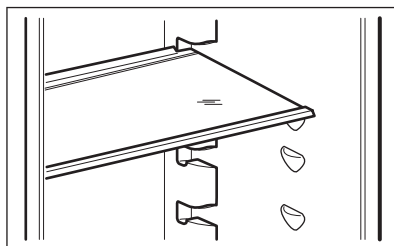
To permit storage of food packages of various sizes, the door shelves can be placed at different heights.

1. Gradually pull the shelf up until it comes free.
2. Reposition as required.



#### 5.2 Movable shelves

The walls of the refrigerator are equipped with a series of runners so that the shelves can be positioned as desired.



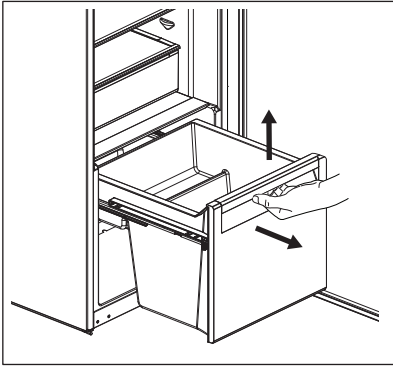
Do not move the glass shelf above the vegetable drawer to ensure correct air circulation.

#### 5.3 Vegetable drawer

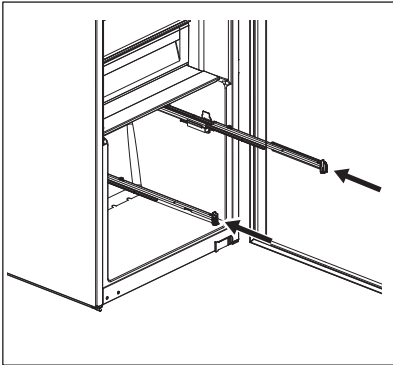
The drawer is suitable for storing fruit and vegetables.

To remove the drawer (e.g. for cleaning):

1. Pull out the drawer and lift it up.

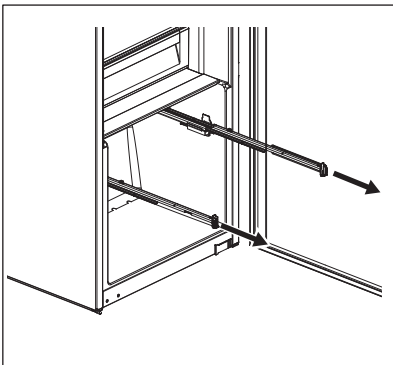


2. Push the rails inside the cabinet to avoid damage to the appliance when closing the door.

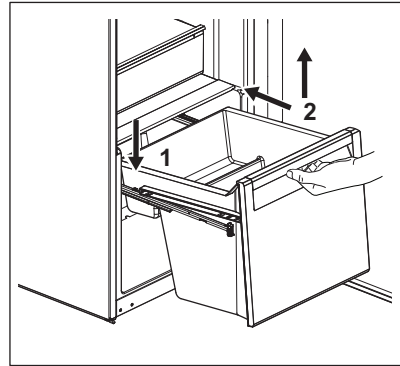


To reassemble:

1. Pull out the rails.



2. Place the rear part of the drawer (1) on the rails.



3. Keep the front of the drawer (2) lifted up while pushing the drawer in.
4. Press the front part of the drawer downwards.



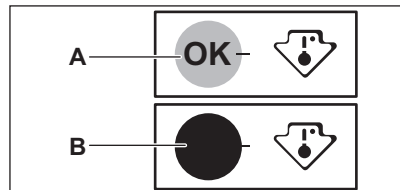
Pull out the drawer again and check if it is placed correctly on both rear and front hooks.

## 5.4 Temperature indicator

For proper storage of food the refrigerator is equipped with the temperature indicator. The symbol on the side wall of the appliance indicates the coldest area in the refrigerator.

If OK is displayed (A), put fresh food into area indicated by symbol, if not (B), wait at least 12 hours and check if it is OK (A).

If it is still not OK (B), adjust the setting control to a colder setting.



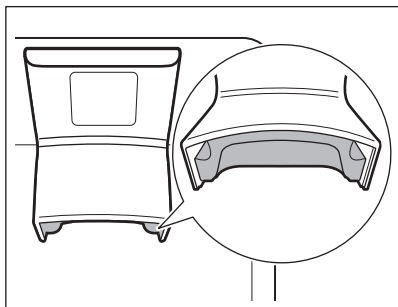
## 5.5 DYNAMICAIR

The refrigerator compartment is equipped with a device that allows rapid cooling of

foods and keeps more uniform temperature in the compartment.

**⚠ WARNING!**

Do not remove the Styrofoam at the bottom of the device.



This device activates automatically when needed.

It is also possible to switch on the device manually when needed (refer to "DYNAMICAIR function").



The fan operates only when the door is closed.

## 6. HINTS AND TIPS

### 6.1 Hints for energy saving

- Most efficient use of energy is ensured in the configuration with the drawers in the bottom part of the appliance and shelves evenly distributed. Position of the door bins does not affect energy consumption.
- Do not open the door frequently or leave it open longer than necessary.
- Do not set too high temperature to save energy unless it is required by the characteristics of the food.
- If the ambient temperature is high and the temperature control is set to low temperature and the appliance is fully loaded, the compressor may run continuously, causing frost or ice formation on the evaporator. In this case, set the temperature control toward higher temperature to allow automatic defrosting and to save energy this way.
- Ensure a good ventilation. Do not cover the ventilation grilles or holes.


### 6.2 Hints for fresh food refrigeration

- Good temperature setting that ensures preservation of fresh food is a temperature less than or equal to +4°C.

Higher temperature setting inside the appliance may lead to shorter shelf life of food.

- Cover the food with packaging to preserve its freshness and aroma.
- Always use closed containers for liquids and for food, to avoid flavours or odours in the compartment.
- To avoid the cross-contamination between cooked and raw food, cover the cooked food and separate it from the raw one.
- It is recommended to defrost the food inside the fridge.
- Do not insert hot food inside the appliance. Make sure it has cooled down at room temperature before inserting it.
- To prevent food waste the new stock of food should always be placed behind the old one.

### 6.3 Hints for food refrigeration

- Fresh food compartment is the one marked (on the rating plate) with .
- Meat (all types): wrap in a suitable packaging and place it on the glass shelf above the vegetable drawer. Store meat for at most 1-2 days.

- Fruit and vegetables: clean thoroughly (eliminate the soil) and place in a special drawer (vegetable drawer).
- It is advisable not to keep the exotic fruits like bananas, mangos, papayas etc. in the refrigerator.
- Vegetables like tomatoes, potatoes, onions, and garlic should not be kept in the refrigerator.
- Butter and cheese: place in an airtight container or wrap in an aluminium foil or a polythene bag to exclude as much air as possible.
- Bottles: close them with a cap and place them on the door bottle shelf, or (if available) on the bottle rack.
- In order to accelerate cooling down of the goods, it is advisable to turn on the fan. The activation of DYNAMICAIR allows greater homogenization of internal temperatures.
- Always refer to the expiry date of the products to know how long to keep them.

## 7. CARE AND CLEANING

### WARNING!

Refer to Safety chapters.

### 7.1 Cleaning the interior

Before using the appliance for the first time, the interior and all internal accessories should be washed with lukewarm water and some neutral soap to remove the typical smell of a brand-new product, then dried thoroughly.

### CAUTION!

Do not use detergents, abrasive powders, chlorine or oil-based cleaners as they will damage the finish.

### CAUTION!

The accessories and parts of the appliance are not suitable for washing in a dishwasher.

### 7.2 Periodic cleaning

The equipment has to be cleaned regularly:

1. Clean the inside and accessories with lukewarm water and some neutral soap.
2. Regularly check the door seals and wipe them clean to ensure they are clean and free from debris.
3. Rinse and dry thoroughly.

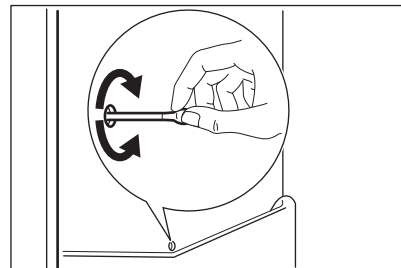
### 7.3 Defrosting of the refrigerator

Frost is automatically eliminated from the evaporator of the refrigerator compartment

during normal use. The defrost water drains out through a trough into a special container at the back of the appliance, over the motor compressor, where it evaporates.

It is important to periodically clean the defrost water drain hole in the middle of the refrigerator compartment channel to prevent the water overflowing and dripping onto the food inside.

For this purpose use the tube cleaner provided with the appliance.



### 7.4 Period of non-operation

When the appliance is not in use for long period, take the following precautions:

1. Disconnect the appliance from electricity supply.
2. Remove all food.
3. Clean the appliance and all accessories.
4. Leave the door open to prevent unpleasant smells.

## 8. TROUBLESHOOTING

### **WARNING!**




Refer to Safety chapters.

### 8.1 What to do if...

Problem	Possible cause	Solution
The appliance does not operate.	The appliance is switched off.	Switch on the appliance.
	The mains plug is not connected to the mains socket correctly.	Connect the mains plug to the mains socket correctly.
	There is no voltage in the mains socket.	Connect a different electrical appliance to the mains socket. Contact a qualified electrician.
The appliance is noisy.	The appliance is not supported properly.	Check if the appliance stands stable.
Acoustic or visual alarm is on.	The door is left open.	Close the door.
The compressor operates continually.	Temperature is set incorrectly.	Refer to "Control panel" chapter.
	Many food products were put in at the same time.	Wait a few hours and then check the temperature again.
	The room temperature is too high.	Refer to "Installation" chapter.
	Food products placed in the appliance were too warm.	Allow food products to cool to room temperature before storing.
	The door is not closed correctly.	Refer to "Closing the door" section.
	The Coolmatic function is switched on.	Refer to "Coolmatic function" section.
The compressor does not start immediately after pressing the "Coolmatic", or after changing the temperature.	The compressor starts after a period of time.	This is normal, no error has occurred.
Door is misaligned or interferes with ventilation grill.	The appliance is not levelled.	Refer to installation instructions.
Door does not open easily.	You attempted to re-open the door immediately after closing.	Wait a few seconds between closing and re-opening of the door.
The lamp does not work.	The lamp is in stand-by mode.	Close and open the door.
	The lamp is defective.	Contact the nearest Authorized Service Centre.
There is too much frost and ice.	The door is not closed correctly.	Refer to "Closing the door" section.
	The gasket is deformed or dirty.	Refer to "Closing the door" section.
	Food products are not wrapped properly.	Wrap the food products better.

<b>Problem</b>	<b>Possible cause</b>	<b>Solution</b>
	Temperature is set incorrectly.	Refer to "Control panel" chapter.
	Appliance is fully loaded and is set to the lowest temperature.	Set a higher temperature. Refer to "Control panel" chapter.
	Temperature set in the appliance is too low and the ambient temperature is too high.	Set a higher temperature. Refer to "Control panel" chapter.
Water flows on the rear plate of the refrigerator.	During the automatic defrosting process, frost melts on the rear plate.	This is correct.
There is too much condensed water on the rear wall of the refrigerator.	Door was opened too frequently.	Open the door only when necessary.
	Door was not closed completely.	Make sure the door is closed completely.
	Stored food was not wrapped.	Wrap food in suitable packaging before storing it in the appliance.
Water flows inside the refrigerator.	Food products prevent the water from flowing into the water collector.	Make sure that food products do not touch the rear plate.
	The water outlet is clogged.	Clean the water outlet.
Water flows on the floor.	The melting water outlet is not connected to the evaporative tray above the compressor.	Attach the melting water outlet to the evaporative tray.
Temperature cannot be set.	The Coolmatic function is switched on.	Switch off Coolmatic function manually, or wait until the function deactivates automatically to set the temperature. Refer to "Coolmatic function" section.
The temperature in the appliance is too low/too high.	The temperature is not set correctly.	Set a higher/lower temperature.
	The door is not closed correctly.	Refer to "Closing the door" section.
	The food products' temperature is too high.	Let the food products temperature decrease to room temperature before storage.
	Many food products are stored at the same time.	Store less food products at the same time.
	The door has been opened often.	Open the door only if necessary.
	The Coolmatic function is switched on.	Refer to "Coolmatic function" section.
	There is no cold air circulation in the appliance.	Make sure that there is cold air circulation in the appliance. Refer to "Hints and tips" chapter.
	DEMO appears on the display.	The appliance is in the demonstration mode.



Problem	Possible cause	Solution
A  or  or  symbol is shown instead of numbers on the temperature display.	Temperature sensor problem.	Contact the nearest Authorized Service Centre. The cooling system will continue to keep food products cold, but temperature adjustment will not be possible.



If the advice does not lead to the desired result, call the nearest Authorized Service Centre.

## 8.2 Replacing the lamp

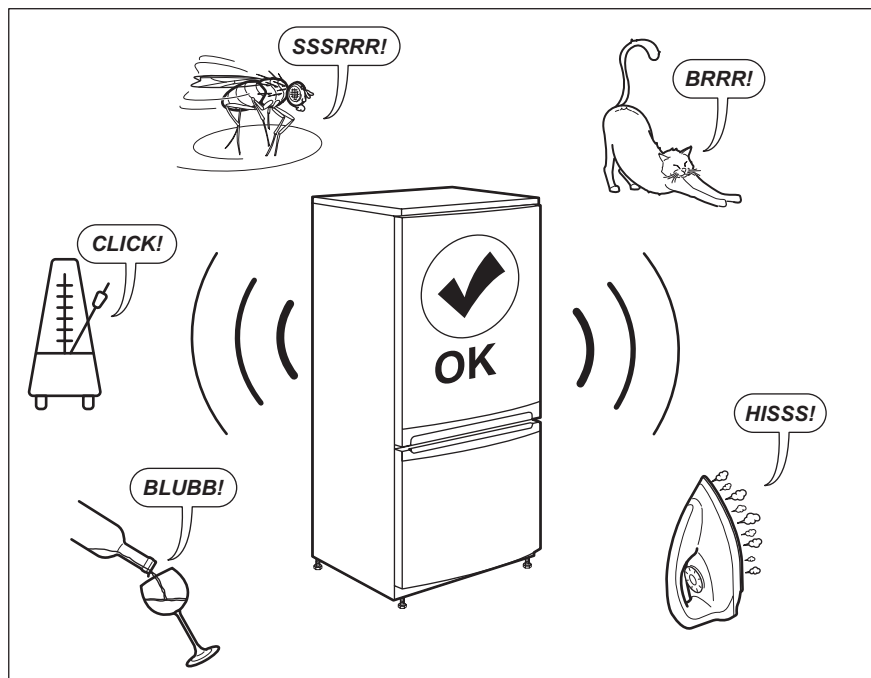
The appliance is equipped with a longlife LED interior light.

Only service is allowed to replace the lighting device. Contact your Authorised Service Centre.

## 8.3 Closing the door

1. Clean the door gaskets.
2. If necessary, adjust the door. Refer to installation instructions.
3. If necessary, replace the defective door gaskets. Contact the Authorised Service Centre.

## 9. NOISES



## 10. TECHNICAL DATA

The technical information is situated in the rating plate on the internal side of the appliance and on the energy label.

The QR code on the energy label supplied with the appliance provides a web link to the information related to the performance of the appliance in the EU EPREL database. Keep the energy label for reference together with the user manual and all other documents provided with this appliance.

It is also possible to find the same information in EPREL using the link <https://eprel.ec.europa.eu> and the model name and product number that you find on the rating plate of the appliance.


See the link [www.theenergylabel.eu](http://www.theenergylabel.eu) for detailed information about the energy label.


## 11. INFORMATION FOR TEST INSTITUTES

Installation and preparation of the appliance for any EcoDesign verification shall be compliant with EN 62552 (EU). Ventilation requirements, recess dimensions and minimum rear clearances shall be as stated

in this User Manual in "Installation". Please contact the manufacturer for any other further information, including loading plans.

## 12. ENVIRONMENTAL CONCERNS

Recycle materials with the symbol . Put the packaging in relevant containers to recycle it. Help protect the environment and human health by recycling waste of electrical and electronic appliances. Do not dispose of

appliances marked with the symbol  with the household waste. Return the product to your local recycling facility or contact your municipal office.

## FYRIR FULLKOMINN ÁRANGUR

Pakka þér fyrir að velja þessa AEG vöru. Við höfum framleitt þessa vöru til að starfa fullkomlega í mörg ár og við höfum notað nýstárlega tækni sem gerir lífið einfaldara með aðgerðum sem ekki er víst að séu til staðar á venjulegum heimilistækjum. Vinsamlegast lestu þér til í nokkrar mínútur til að geta nýtt tækið sem best.

### HEIMSÆKTU VEFSVÆÐI OKKAR TIL AÐ:



Fá leiðbeiningar um notkun, bæklinga, bilanaleit, þjónustu- og viðgerðarupplýsingar.  
[www.aeg.com/support](http://www.aeg.com/support)



Skrá vöruna þína til að fá enn betri þjónustu:  
[www.registeraeg.com](http://www.registeraeg.com)



Kaupa aukahluti, rekstrarvörur og upprunalega varahluti fyrir heimilistæki þitt:  
[www.aeg.com/shop](http://www.aeg.com/shop)

## ÞJÓNUSTA VIÐ VIÐSKIPTAVINI

Notaðu alltaf upprunalega varahluti.

Þegar þú hefur samband við viðurkennda þjónustumiðstöð skaltu tryggja að sért með eftirfarandi gögn til tæk: Gerð, vörunúmer, raðnúmer.

Upplýsingarnar má finna á merkiplötunni.

⚠ Viðvörðun / Aðvörðun - Öryggisupplýsingar

ℹ Almennar upplýsingar og ráð

📄 Umhverfisupplýsingar

Með fyrirvara á breytingum.

## EFNISYFIRLIT

1. ÖRYGGISUPPLÝSINGAR.....	19
2. ÖRYGGISLEIÐBEININGAR.....	21
3. UPPSETNING.....	23
4. STJÓRNBOÐ.....	26
5. DAGLEG NOTKUN.....	28
6. ÁBENDINGAR OG GÓÐ RÁÐ.....	30
7. UMHIRÐA OG HREINSUN.....	31
8. BILANALEIT.....	31
9. HÁVAÐI.....	34
10. TÆKNILEGAR UPPLÝSINGAR.....	34
11. UPPLÝSINGAR FYRIR PRÓFUNARSTOFNANIR.....	35
12. UMhverfismál.....	35

## 1. ⚠ ÖRYGGISUPPLÝSINGAR

Fyrir uppsetningu og notkun heimilistækisins skal lesa meðfylgjandi leiðbeiningar vandlega. Framleiðandinn ber ekki ábyrgð á neinum meiðslum eða skemmdum sem leiða af

rangri uppsetningu eða notkun. Geymdu alltaf leiðbeiningarnar á öruggum stað þar sem auðvelt er að nálgast þær til síðari notkunar.

## 1.1 Öryggi barna og viðkvæmra einstaklinga

- Börn, 8 ára og eldri og fólk með minnkaða líkamlega-, skyn- eða andlega getu, eða sem skortir reynslu og þekkingu, mega nota þetta tæki, ef þau eru undir eftirliti eða hafa verið veittar leiðbeiningar varðandi örugga notkun tækisins og ef þau skilja hættuna sem því fylgir. Börn á aldrinum 3 til 8 ára og einstaklingar með mjög mikla og flókna fötlun er leyfilegt að setja í og taka úr heimilistækinu, að því tilskildu að þau hafi fengið almennilegar leiðbeiningar. Halda ætti börnum yngri en 3 ára frá heimilistækinu nema þau séu undir stöðugu eftirliti.
- Hafa ætti eftirlit með börnum til að tryggja að þau leiki sér ekki með.
- Börn eiga ekki að hreinsa eða framkvæma notandaviðhald á heimilistækinu án eftirlits.
- Haltu öllum umbúðum frá börnum og fargaðu þeim á viðeigandi hátt.

## 1.2 Almennt öryggi

- Þetta heimilistæki er eingöngu fyrir geymslu á mat og drykkjum.
- Þetta heimilistæki er hannað til notkunar innanhúss á heimilum.
- Þetta heimilistæki má nota á skrifstofum, í herbergjum hótela, herbergjum gestahúsa, bændagistingum og öðrum sambærilegum gistirýmum þar sem notkun er ekki meiri en almenn heimilisnotkun.
- Til að forðast spillingu matvæla skal virða eftirfarandi leiðbeiningar:
  - Hafðu hurðina ekki opna um lengri tíma;
  - hreinsaðu reglubundið fleti sem geta komist í snertingu við matvæli og aðgengileg frárennsliskerfi;

- geymdu hrátt kjöt og fisk í hentugum ílátum í kælisáþvöngu þannig að það komist ekki í snertingu við eða leki niður á önnur matvæli.
- VIÐVÖRUN: Haltu loftræstingaropum, í afgirðingu heimilistækisins eða í innbyggðu rými, lausu við hindranir.
- VIÐVÖRUN: Notaðu ekki vélrænan búnað eða aðrar aðferðir til að hraða afisunarferli, annan en þann sem framleiðandinn mælir með.
- VIÐVÖRUN: Skemmdu ekki kælimiðilsrásina.
- VIÐVÖRUN: Notaðu ekki rafmagnstæki inni í geymsluhólfum matvæla í heimilistækinu, nema þau séu af þeirri tegund sem framleiðandinn mælir með.
- Notaðu ekki vatnsúða og gufu til að hreinsa heimilistækið.
- Hreinsaðu heimilistækið með mjúkum rökum klút. Notaðu aðeins hlutlaus þvottaefni. Notaðu ekki neinar vörur með svarfefnum, stálull, leysiefni eða málmhluti.
- Þegar heimilistækið er tómt um lengri tíma skal slökkva á því, afísa, hreinsa, þurrka og skilja hurðina eftir opna til að koma í veg fyrir að mygla myndist inni í tækinu.
- Geymdu ekki sprengifim efni eins og úðabrusa með eldfimu drifefni í þessu heimilistæki.
- Ef rafmagnssnúran er skemmd verður framleiðandi, viðurkennd þjónustumiðstöð, eða svipað hæfur aðili að endurnýja hana til að forðast hættu.

## 2. ÖRYGGISLEIÐBEININGAR

### 2.1 Uppsetning

#### AÐVÖRUN!

Einungis til þess hæfur aðili má setja upp þetta heimilistæki.

- Fjarlægðu allar umbúðir.
- Ekki setja upp eða nota skemmt heimilistæki.
- Notaðu ekki heimilistækið áður en þú setur upp innbyggða virkið af öryggisástæðum.
- Fylgdu leiðbeiningum um uppsetningu sem fylgja með heimilistækinu.
- Alltaf skal sýna aðgát þegar heimilistækið er fært vegna þess að það er þungt. Notaðu alltaf öryggishanska og lokaðan skóbúnað.
- Gakktu úr skugga um að að loft geti flætt í kringum heimilistækið.
- Við fyrstu uppsetningu eða eftir að hurðinni hefur verið snúið skal bíða í að minnsta kosti 4 klukkustundir áður en heimilistækið er tengt við rafmagn. Þetta er til að olían nái að flæða aftur í þjöppuna.
- Áður en þú framkvæmir einhverjar aðgerðir á heimilistækinu (t.d. snýrð við

hurðinni) skaltu taka klóna úr rafmagnsinnstungunni.

- Ekki setja heimilistækið upp nálægt hitagjöfum (ofnum) eða eldavélum, bókunarofnum eða helluborðum, nema annað sé tekið fram í leiðbeiningum um uppsetningu.
- Ekki hafa heimilistækið berskjaldað gagnvart rigningu.
- Ekki setja heimilistækið upp þar sem það verður fyrir beinu sólarljósi.
- Ekki setja þetta heimilistæki upp á svæðum þar sem er of mikill raki eða of kalt.
- Þegar þú færir til heimilistækið, skaltu lyfta brúninni að framan til að koma í veg fyrir að þú rispir gólfíð.
- Heimilistækið inniheldur poka af þurrkefni. Þetta er ekki leikfang. Þetta er ekki matvara. Vinsamlegast fargaðu því samstundis.

## 2.2 Rafmagnstenging

### **AÐVÖRUN!**

Hætta á eldi og raflosti.

### **AÐVÖRUN!**

Þegar heimilistækið er staðsett skaltu tryggja að rafmagnssnúran sé hvorki klemmd né skemmd.

### **AÐVÖRUN!**

Notaðu ekki fjöltengi eða framlengingarsnúrur.

- Heimilistækið verður að vera jarðtengt.
- Gakktu úr skugga um að færíbreyturnar á merkiplötunni séu samhæfar við rafmagnsflokkun aðalæðar afgjafa.
- Notaðu alltaf rétt ísetta innstungu sem ekki veldur raflosti.
- Gakktu úr skugga um að rafmagnsíhlutir verði ekki fyrir skemmdum (t.d. rafmagnsklói, snúran, þjappan). Hafa skal samband við viðurkennda þjónustumiðstöð eða rafvirkja til að skipta um rafmagnsíhluti.
- Rafmagnssnúran verður að liggja neðar en rafmagnsklói.
- Aðeins skal tengja rafmagnsklóna við rafmagnsinnstunguna í lok

uppsetningarinnar. Gakktu úr skugga um að rafmagnsklói sé aðgengileg eftir uppsetningu.

- Ekki toga í snúruna til að taka tækið úr sambandi. Taktu alltaf um klóna.

## 2.3 Notkun

### **AÐVÖRUN!**

Hætta á meiðslum, bruna, raflosti eða eldsvoða.



Heimilistækið inniheldur eldfimt gas, ísóbútan (R600a), náttúrulegt gas, sem er mjög umhverfisvænt. Gættu þess að valda ekki skaða á kælirásinni sem inniheldur ísóbútan.

- Breytið ekki eiginleikum heimilistækisins.
- Það er harðbannað að nota þessa innbyggðu vöru sem frístandandi tæki.
- Ekki láta rafmagnstæki (s.s. ísgerðarvélur) í tækið nema það sé tekið fram af framleiðanda að þau þoli það.
- Ef rafrásir kælibúnaðarins skemmast skal gæta þess að það sé enginn logi eða kveikjugjafar í herberginu. Loftræstu herbergið.
- Ekki láta heita hluti snerta þá hluta heimilistækisins sem eru úr plasti.
- Ekki nota heimilistækið til að geyma eldfimar lofttegundir eða vökva.
- Setjið ekki eldfim efni eða hluti bleytta með eldfimum efnum í, nálægt, eða á heimilistækið.
- Ekki snerta þjökkuna eða þéttinn. Þau eru heit.
- Leyfið ekki matvælum að komast í snertingu við innri vegg heimilistækishólfanna.

## 2.4 Innri lýsing

### **AÐVÖRUN!**

Hætta á raflosti.

- Þessi vara inniheldur einn eða fleiri ljós-gjafa í orkunýtniflokknum F.
- Varðandi ljósin inn í þessari vöru og ljós sem varahluti sem seld eru sérstaklega: Þessi ljós eru ætluð að standast öfgakenndar aðstæður í heimilistækjum

eins og hitastig, titring, raka eða til að senda upplýsingar um rekstrarstöðu tækisins. Þau eru ekki ætluð til að nota í öðrum tækjum og henta ekki sem lýsing í herbergjum heimila.

## 2.5 Umhirða og þrif

### **AÐVÖRUN!**

Hætta á meiðslum eða skemmdum á heimilistækinu.

- Áður en viðhald fer fram á tækinu skal slökkva á því og aftengja aðalklóna frá rafmagnsinnstungunni.
- Þetta tæki inniheldur kolvatnsefni í kælieiningunni. Aðeins hæfir aðilar mega sinna viðhaldi og endurhleðslu á einingunni.
- Skoðið frárennsli tækisins reglulega og hreinsið það ef þörf krefur. Ef frárennslið er stíflað mun affryst vatn safnast fyrir í botni heimilistækisins.

## 2.6 Þjónusta

- Hafðu samband við viðurkennda þjónustumiðstöð til að gera við heimilistækið. Notaðu eingöngu upprunalega varahluti.
- Vinsamlegast athugaðu að ef þú eða einhver sem ekki er fagmaður gerir við getur það haft afleiðingar varðandi öryggi og gæti ógilt ábyrgðina.

- Eftirfarandi varahlutir verða fáanlegir í 7 ár eftir að hætt hefur verið framleiðslu gerðarinnar: Hitastillar, hitaskynjarar, prentplötur, ljósgjafar, hurðahandföng, hurðalamir, bakkar og grindur. Vinsamlegast athugaðu að suma þessara varahluta geta aðeins atvinnuviðgerðaraðilar fengið og ekki eru allir varahlutir viðeigandi fyrir allar gerðir.
- Hurðabættingar verða fáanlegar í 10 ár eftir að hætt hefur verið framleiðslu gerðarinnar.

## 2.7 Förgun

### **AÐVÖRUN!**

Hætta á meiðslum eða köfnun.

- Aftengið heimilistækið frá rafmagnsgjafanum.
- Klippa rafmagnssúruruna af og flegið henni.
- Fjarlægjið hurðina til að koma í veg fyrir að börn eða dýr geti lokast inni í tækinu.
- Kælirásin og einangrunarefnið á tækinu eru ósónvæn.
- Einangrunarfroðan inniheldur eldfimar lofttegundir. Hafðið samband við sveitarfélagið til að fá upplýsingar um hvernig á að farga heimilistækinu á réttan hátt.
- Ekki valda skaða á hluta kælieiningarinnar sem er nálægt hitaskiptinum.

## 3. UPPSETNING

### **AÐVÖRUN!**

Sjá kafla um öryggismál.

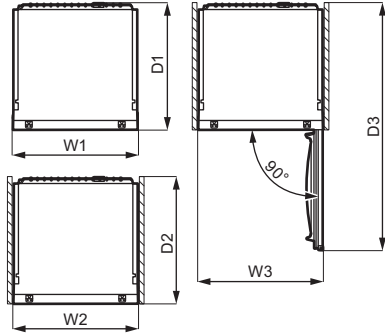
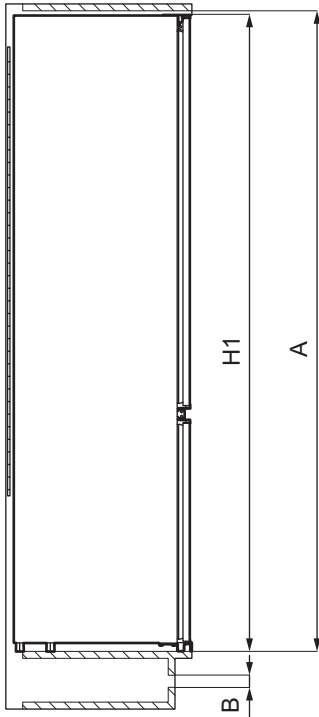
### **AÐVÖRUN!**

Skoðaðu leiðbeiningaskjal um uppsetningu til að setja upp heimilistækið þitt.

### **AÐVÖRUN!**

Festu heimilistækið í samræmi við leiðbeiningaskjal um uppsetningu til að forðast hættuna af því að heimilistækið sé óstöðugt.

### 3.1 Mál



Heildarmál <sup>1</sup>		
H1	mm	1772
W1*	mm	548
D1	mm	549

<sup>1</sup> hæð, breidd og dýpt heimilistækisins án handfangs

\* ásamt breidd neðstu hurðalamanna (8 mm)

Svæði sem þarf til notkunar <sup>2</sup>		
H2 (A+B)	mm	1816
W2*	mm	548
D2	mm	551
A	mm	1780

Svæði sem þarf til notkunar <sup>2</sup>		
B	mm	36

<sup>2</sup> hæð, breidd og dýpt heimilistækisins ásamt handfangi, auk rýmisins sem þarf til að tryggja rétt loftflæði fyrir kæli loft

\* ásamt breidd neðstu hurðalamanna (8 mm)

Heildarsvæði sem þarf til notkunar <sup>3</sup>		
H3 (A+B)	mm	1816
W3*	mm	548
D3	mm	1071

<sup>3</sup> hæð, breidd og dýpt heimilistækisins ásamt handfangi, auk rýmisins sem þarf til að tryggja rétt loftflæði fyrir kæli loft, auk



svæðisins sem nauðsynlegt er svo að hurðin geti opnast við lágmarkshorn sem nauðsynlegt er til að fjarlægja allan innri búnað

\* ásamt breidd neðstu hurðalamanna (8 mm)

### 3.2 Staðsetning

Til að tryggja rétta virkni heimilistækisins, ætti ekki að setja það upp á stað þar sem heimilistækið verður fyrir beinu sólarljósi. Ekki setja heimilistækið upp nálægt hitagjöfum (ofnum) eða eldavélum, bókunarofnum eða helluborðum, nema annað sé tekið fram í leiðbeiningum um uppsetningu.

Gakktu úr skugga um að loftflæði sé gott aftan við skápinn.

Tækið á að setja upp á þurrum, vel loftræstum stað innandyra.

Þetta tæki er ætlað til notkunar við umhverfishita á bilinu 10°C til 38°C.



Eingöngu er hægt að ábyrgjast rétta virkni heimilistækisins sé það notað á þessu hitabili.



Ef þú hefur einhverjar efasemdir varðandi uppsetningu heimilistækisins, skaltu vinsamlegast ráðfæra þig við seljanda, þjónustuverið okkar eða næstu viðurkenndu þjónustumiðstöð.



Það verður að vera hægt að taka heimilistækið úr sambandi við rafmagn. Innstungan verður því að vera aðgengileg eftir uppsetningu.

### 3.3 Rafmagnstenging

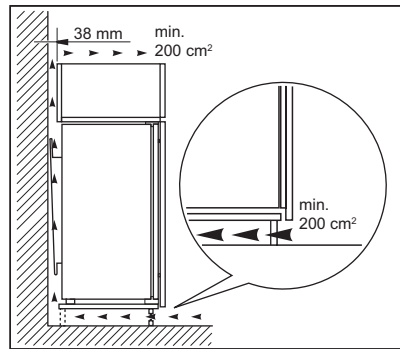
- Áður en stungið er í samband, þarf að ganga úr skugga um að sú spennan og

tíðni sem sýnd eru á merkiplötunna samræmist heimilisrafmagninu.

- Heimilistækið verður að vera jarðtengt. Kló rafmangssnúrunnar er með snertu sem er ætluð til þess. Ef innstungan á heimilinu er ekki jarðtengt, þarf að jarðtengja heimilistækið í aðskilda jörð til að uppfylla nügildandi reglugerðir. Hafið samband við fagmenntaðan rafvirkja.
- Framleiðandi hafnar allri ábyrgð ef ofangreindum öryggisráðstöfunum er ekki fylgt.

### 3.4 Viðrunarkröfur

Nauðsynlegt er að tryggja nægilegt loftflæði fyrir aftan tækið.



#### ⚠ VARÚÐ!

Sjá uppsetningarleiðbeiningar varðandi uppsetningu.

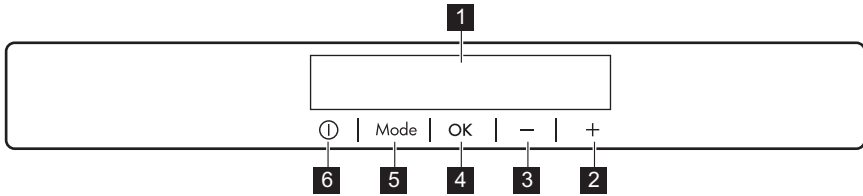
### 3.5 Viðsnúningur hurðar

Vinsamlegast skoðuðu sérstakt skjal með leiðbeiningum um uppsetningu og viðsnúning hurðar.

#### ⚠ VARÚÐ!

Við hvert þrep í viðsnúningi hurðar skal gæta þess að verja gólfíð gegn rispum, með slitsterku efni.

## 4. STJÓRNBORÐ



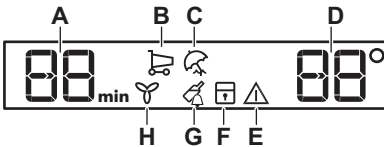
- 1 Skjár
- 2 Hnappur fyrir hærra hitastig
- 3 Hnappur fyrir lægra hitastig
- 4 OK

- 5 Mode
- 6 ON/OFF

Mögulegt er að breyta forskilgreindu hljóði hnappa með því að halda samtímis inni Mode og hnappnum fyrir lægra hitastig í nokkrar

sekúndur. Hægt er að taka til baka breytinguna.

### 4.1 Skjár



- A. Tímatökuvísir
- B. Coolmatic aðgerð
- C. Holiday hamur
- D. Vísir fyrir hitastig
- E. Aðvörunarvísir
- F. ChildLock aðgerð
- G. DrinksChill aðgerð
- H. DYNAMICAIR aðgerð

### 4.2 Kveikt á

1. Tengdu klóna við rafmagnsinnstunguna.
2. Ýttu á ON/OFF heimilistækisins ef slökkt er á skjánum. Hitavísarnir sýna sjálfgefið innstillt hitastig.

Til að velja annað innstillt hitastig, sjá „Hitastilling“.

Ef "dEMO" birtist á skjánum, sjá „Bilanaleit“.

### 4.3 Slökkva

1. Ýttu á ON/OFF heimilistækisins í 3 sekúndur. Skjárinn slekkur á sér.
2. Aftengdu klóna frá rafmagnsinnstungunni.

### 4.4 Hitastilling

Stilltu hitastig heimilistækisins með því að ýta á hitastillana.

Ráðlögð hitastilling er:

- +4°C fyrir kælinn

Hitasviðið getur verið breytilegt á bilinu 2°C til 8°C fyrir kælinn.

Hitastigsvísar sýna hitastigið sem búið var að stilla.



Hitastillingunni þarf að ná innan sólarhrings. Eftir rafmagnsleysi helst stillt hitastig vistað.

## 4.5 Coolmatic aðgerð

Ef þú þarft að setja inn mikið magn af volgum mat í kæliholfið, til dæmis eftir matarinnkaup, stingum við upp á að þú kveikir á Coolmatic aðgerðinni til að kæla vörurnar hraðar og til að hindra að maturinn sem fyrir er í kælinum hitni.

1. Ýttu á Mode þar til samsvarandi tákn birtist.

Coolmatic vísirinn leiftrar.

2. Ýttu á OK til að staðfesta.

Coolmatic vísirinn birtist. Þegar kveikt er á Coolmatic aðgerðinni gæti viftan farið sjálfkrafa í gang.

Þessi aðgerð stöðvast sjálfkrafa eftir u.þ.b. 6 klst.

Coolmatic aðgerðina er hægt að afvirkja áður en hún endar sjálfkrafa með því að endurtaka aðgerðina eða með því að velja aðra hitastillingu fyrir kælinn.

## 4.6 Holiday hamur

Þessi hamur gerir þér kleift að halda heimilistækinu tómu í á meðan löngu fríi stendur og draga úr myndun vondrar lyktar.

1. Ýttu á Mode þar til samsvarandi táknmynd birtist.

Holiday vísirinn leiftrar. Hitastigsvísirinn sýnir hitastigið sem búið var að stilla.

2. Ýttu á OK til að staðfesta.

Holiday vísirinn er birtist.



Þessi hamur slekkur á sér eftir að önnur hitastilling hefur verið valin.

## 4.7 DYNAMICAIR aðgerð

Kælikápsbólfið er búið búnaði sem gerir kleift að kæla matvæli hratt og að halda jafnara hitastigi í hólfinu.

Búnaðurinn virkjust sjálfkrafa þegar þörf er á eða handvirkt.

Til að kveikja á aðgerðinni:

1. Ýttu á Mode hnappinn þar til samsvarandi tákn birtist.  
DYNAMICAIR vísirinn leiftrar.
2. Ýttu á OK hnappinn til að staðfesta.  
DYNAMICAIR vísirinn er birtist.

Til að slökkva á aðgerðinni skaltu endurtaka ferlið þar til það slokknar á DYNAMICAIR-vísinum.



Ef aðgerðin er virkjuð sjálfvirkt er DYNAMICAIR vísirinn ekki sýndur (sjá „DYNAMICAIR“ hlutann í „Dagleg notkun“).  
VirkJun DYNAMICAIR aðgerðarinnar eykur orkunotkun.

Viftan gengur aðeins þegar hurðin er lokuð.

## 4.8 ChildLock aðgerð

VirkJaðu ChildLock aðgerðina til að læsa hnöppunum gegn óviljandi notkun.

1. Ýttu á Mode þar til samsvarandi tákn birtist.

ChildLock vísirinn leiftrar.

2. Ýttu á OK til að staðfesta.

ChildLock vísirinn er birtist.

Til að afvirkja ChildLock aðgerðina skal endurtaka verklagið þar til ChildLock vísirinn slokknar.

## 4.9 DrinksChill aðgerð

DrinksChill aðgerðina á að nota til að stilla hljóðaðvörun á ákveðnum tíma, sem er til dæmis gagnlegt þegar uppskrift útheimtir að matvæli séu kæld í ákveðið langan tíma.

1. Ýttu á Mode þar til samsvarandi tákn birtist.

DrinksChill vísirinn leiftrar.

Tímastillirinn sýnir innstillt gildi (30 mínútur) í nokkrar sekúndur.

2. Ýttu á tímstillinguna til að breyta innstilltum tíma frá 1 upp í 90 mínútur.

3. Ýttu á OK til að staðfesta.

DrinksChill vísirinn er birtist.

Tímamælirinn byrjar að leiftra (min).

Við lok niðurtalningar blikkar „0 min“ og viðvörunarhljóðmerki heyrir. Ýttu á OK-hnappinn til að slökkva á hljóðinu og slökkva á aðgerðinni.

Til að slökkva á aðgerðinni skaltu endurtaka ferlið þar til það slokknar á DrinksChill-vísinum.



Mögulegt er að breyta tímanum hvenær sem er meðan á niðurtalningu stendur og í lokin með því að ýta á hnapp fyrir lægra hitastig og hnapp fyrir hærra hitastig.

## 4.10 Aðvörun fyrir opna hurð

Ef kælihurðin er skilin eftir opin í um það bil 5 mínútur heyrast hljóð og aðvörunarvísir leiftrar.

Aðvörunin stöðvast eftir að hurðinni er lokað. Meðan á aðvöruninni stendur er hægt að þagga í hljóðinu með því að ýta á hnapp.



Ef þú ýtir ekki á neinn hnapp, slekkur hljóðið á sér sjálfkrafa eftir eina klukkustund til að forðast truflun.

## 5. DAGLEG NOTKUN

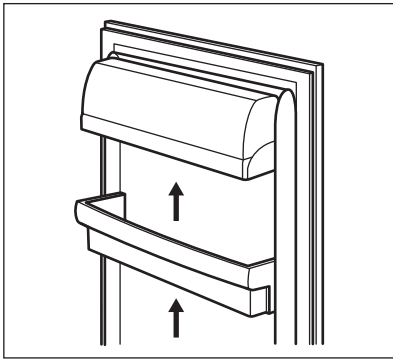
### ⚠ VARÚÐ!

Þetta kælitæki er ekki ætlað til þess að frysta matvæli.

### 5.1 Hurðarhillurnar staðsettar

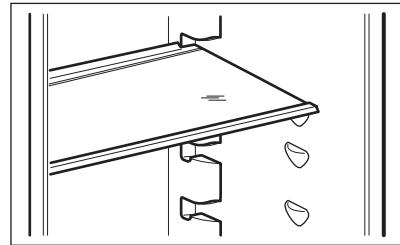
Svo hægt sé að geyma matarumbúðir af ýmsum stærðum, má staðsetja hurðasvalirnar á mismunandi hæðarstigum.

1. Togið hilluna smátt og smátt upp þar til hún losnar.
2. Endurstaðsetjið hana eftir þörfum.



### 5.2 Færanlegar hillur

Hliðar kælikápsins eru búnar röðum af hillustöðum þannig að hægt sé að staðsetja hillurnar eftir þörfum.



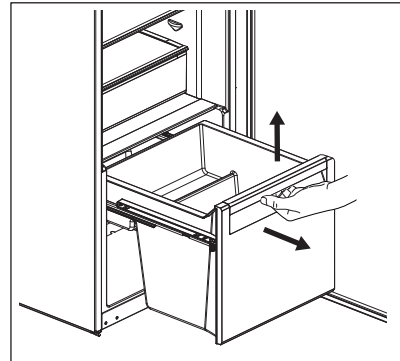
Færið ekki glerhilluna fyrir ofan grænmetisskúffuna, til að tryggja rétt loftstreymi.

### 5.3 Grænmetisskúffa

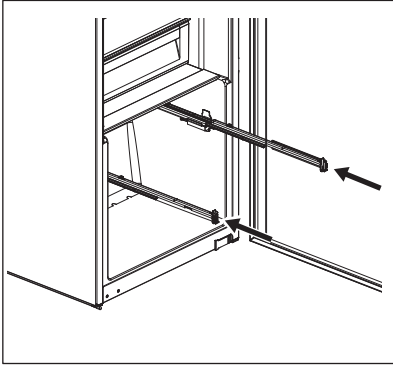
Skúffan er hentug til að geyma ávexti og grænmeti.

Til að fjarlægja skúffuna (t.d. fyrir þrif):

1. Dragðu út skúffuna og lyftu henni upp.

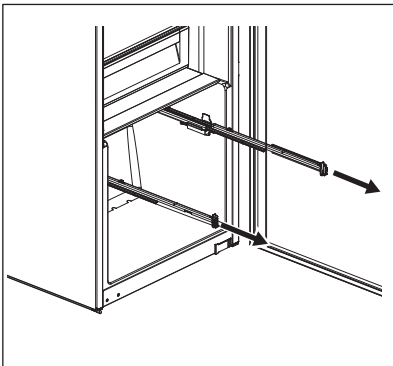


2. Ýttu renniteinunum inn í skápinn til að forðast skemmdir á heimilistækinu þegar þú lokar hurðinni.

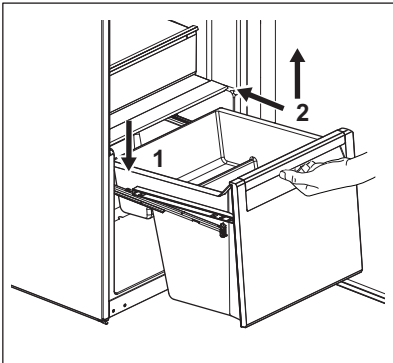


Til að setja saman aftur:

1. Togaðu renniteinana út.



2. Leggðu aftari hluta skúffunnar (1) á renniteinana.



3. Haltu fremri hluta skúffunnar (2) upp á meðan þú ýtir skúffunni inn.
4. Ýttu fremri hluta skúffunnar niður.



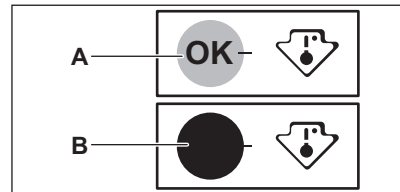
Dragðu skúffuna aftur út og athugaðu að hún liggji rétt á bæði aftari og fremri krókunum.

## 5.4 Vísir fyrir hitastig

Fyrir rétta geymslu á matvælum er kælikápurinn búinn hitastigsvísi. Táknið á innri hlið heimilistækisins gefur til kynna kaldasta svæðið í kælikápnunum.

Ef OK er sýnt (A) skaltu láta ferska matinn aftur á svæðið sem tilgreint er með tákni, ef ekki (B), skaltu bíða í að minnsta kosti 12 klst. og kanna hvort það sé OK (A).

Ef það er enn ekki OK (B) skaltu stilla aftur á kaldari stillingu.

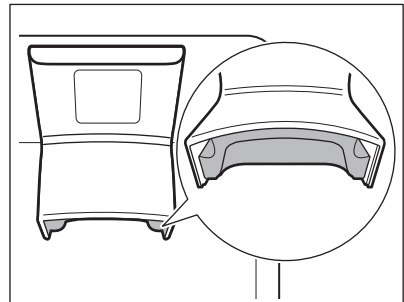


## 5.5 DYNAMICAIR

Kælihölfirni er búin viftu sem gerir kleift að kæla matinn hratt og heldur jafnara hitastigi í hölfinu.

### ⚠ AÐVÖRUN!

Ekki fjarlægja frauðplastið í botninum á búnaðinum.



Þessi búnaður virkjust sjálfkrafa þegar þörf er á.

Hægt er að kveikja handvirkt á búnaðinum eftir þörfum (sjá „DYNAMICAIR-aðgerð“).



Viftan gengur aðeins þegar hurðin er lokuð.

## 6. ÁBENDINGAR OG GÓÐ RÁÐ

### 6.1 Ábendingar um orkusparnað


- Skilvirkasta notkun orku er tryggð í þeirri uppsetningu að skúffum í neðri hluta heimilistækisins og hillum sé jafnt dreift. Staðsetning kassa í hurð hefur ekki áhrif á orkunotkun.
- Ekki opna hurðina oft eða hafa hana opna lengur en nauðsyn krefur.
- Ekki still á of háan hita til að spara orku nema eiginleikar matarins krefjist þess.
- Ef umhverfishitastigið er hátt, hitastýringin stillt á lágan hita og heimilistækið fullhlaðið, getur verið að þjappan sé stöðugt í gangi, en það getur valdið því að hrim eða ís hlaðist utan á eiminn. Í þessu tilfelli skaltu setja hitastýringuna í átt að hærra hitastigi til að leyfa sjálfvirka þíðingu og spara orku á þann hátt.
- Tryggðu gott loftflæði. Ekki hylja loftæstiristarnar eða götin.

### 6.2 Ábendingar um kælingu á ferskum matvælum

- Góð hitastilling sem varðveitir ferska matvöru er +4°C eða lægri. Sé hærra hiti stilltur fyrir heimilistækið getur það leitt til styttri endingartíma fyrir matvælin.
- Láttu umbúðir yfir matvælin til að varðveita ferskleika þeirra og bragð.
- Notaðu alltaf lokuð ílát fyrir vökva og fyrir mat, til að forðast að lykt eða bragð safnist í hólfið.
- Til að forðast víxlmengun á milli eldaðrar og óeldaðrar matvöru, skal þekja eldaða matvöru og halda henni aðskildri frá hrárra matvöru.
- Mælst er til þess að matvörur séu þíddar inn í kælinum.

- Ekki stinga heitri matvöru inn í heimilistækið. Gakktu úr skugga um að matvaran hafi náð að kólna að stofuhita áður en gengið er frá henni.
- Til að koma í veg fyrir matarsóun skal alltaf setja ný matvæli fyrir aftan þau eldri.

### 6.3 Ábendingar um góða kælingu

- Ferskvöruhólfið er það sem er merkt (á merkiplötunni) með .
- Kjöt (af öllum gerðum): Pakka inn í hentugar umbúðir og setja á glerhilluna fyrir ofan grænmetisskúffuna. Kjöt skal ekki geyma lengur en 1-2 daga.
- Ávextir og grænmeti: Hreinsa vandlega (fjarlægja alla mold) og geyma í sérstakri skúffu (grænmetisskúffunni).
- Ekki er æskilegt að geyma framandi ávexti eins og banana, mangó, papæjualdin, o.s.frv. í kælikápnun.
- Grænmeti, svo sem tómata, kartöflur, lauk og hvítlauk, skal ekki geyma í kælikápnun.
- Smjör og ostur: Setja í loftþéttar umbúðir eða pakka inn í álpappír eða pólýþen-poka til að útiloka eins mikið loft og hægt er.
- Flöskur: Loka með loki og setja í flöskuhilluna í hurðinni, eða (ef til staðar) í flöskurekkann.
- Til að flyta fyrir kælingu matvara er æskilegt að kveikja á viftunni. Virkjun DYNAMICAIR gerir innra hitastigið einsleitara.
- Skoðaðu alltaf „best fyrir“ dagsetningu varanna til að vita hversu lengi á að geyma þær.

## 7. UMHIRÐA OG HREINSUN

### ⚠ AÐVÖRUN!

Sjá kafla um öryggismál.

### 7.1 Innra byrði hreinsað

Áður en heimilistækið er notað í fyrsta sinn, skal þvo innri og alla innri fylgihluti með volgu vatni og hlutlausri sápu til að losna við dæmigerða lykt af nýrri vöru og þurrka svo vandlega.

### ⚠ VARÚÐ!

Ekki nota þvottaefni, slípiduft, klór eða olíublönduð hreinsiefni, þar sem það skemmir áferðina.

### ⚠ VARÚÐ!

Aukahlutir og hlutar heimilistækisins eru ekki ætlaðir fyrir uppþvottavélar.

### 7.2 Reglubundin hreinsun

Hreinsa þarf búnaðinn reglulega:

1. Hreinsaðu innra byrðið og aukahluti með volgu vatni og hlutlausri sápu.
2. Skoðuðu hurðarþéttingar reglulega og strjúktu af þeim svo þær séu hreinar og lausar við óhreinindi.
3. Skolaðu og þurrkaðu vandlega.

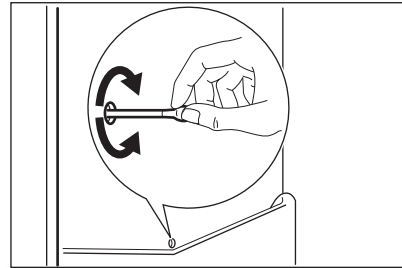
### 7.3 Ísskápurinn affrystur

Frostið er losað sjálfkrafa úr eimi kælihólfins við eðlilega notkun. Vatnið eftir affrýstinguna

lekur út í gegnum trekt í sérstakt ilát aftan á heimilistækinu fyrir ofan þjöppuna, þar sem það gufar upp.

Það er mikilvægt að hreinsa reglulega niðurfallsgatið fyrir affallsvatnið í miðri rás kælihólfins til að koma í veg fyrir að vatnið flæði upp úr og leki á matinn inni í kælinum.

Það skal nota röhreinsinn sem fylgir með heimilistækinu við þrífín.



### 7.4 Tímabundið ekki í notkun

Þegar heimilistækið er ekki í notkun til lengri tíma, skal grípa til eftirfarandi ráðstafana:

1. Aftengja tækið frá rafmagni.
2. Fjarlægja allan mat.
3. Hreinsa heimilistækið og alla aukahluti þess.
4. Hafa skal hurðina opna til að koma í veg fyrir vonda lykt.

## 8. BILANALEIT

### ⚠ AÐVÖRUN!




Sjá kafla um öryggismál.

### 8.1 Hvað skal gera ef...

Vandamál	Möguleg ástæða	Lausn
Heimilistækið virkar ekki.	Slökkt er á heimilistækinu.	Kveikt á heimilistækinu.

Vandamál	Möguleg ástæða	Lausn
	Rafmagnsklóin er ekki rétt tengd við rafmagnsinnstunguna.	Tengdu klóna við rafmagnsinnstunguna með réttum hætti.
	Það er ekkert rafmagn á rafmagnsinnstungunni.	Tengdu annað raftæki við rafmagnsinnstunguna. Hafðu samband við faglærðan rafvirkja.
Heimilistækið gefur frá sér mikinn hávaða.	Heimilistækið er ekki með réttan stuðning.	Kannaðu hvort heimilistækið sé stöðugt.
Heyranleg eða sjónræn aðvörðun er í gangi.	Hurðin hefur verið skilin eftir opin.	Lokaðu hurðinni.
Þjappan gengur samfelld.	Hitastig er rangt stillt.	Sjá „Stjórnborð“ kaflann.
	Margar matvörur voru settar inn á sama tíma.	Bíddu í nokkrar klukkustundir og athugaðu svo hitastigið aftur.
	Stofuhitinn er of hár.	Sjá „Uppsetning“ kaflann.
	Matvara sem látin var í heimilistækið var of heit.	Leyfðu matvörunni að kólna að stofuhita áður en hún er látin til geymslu.
	Hurðin er ekki nægilega vel lokað.	Sjá „Hurðinni lokað“ hlutann.
	Kveikt er á Coolmatic aðgerðinni.	Sjá kaflann „Coolmatic Aðgerð“.
Þjappan fer ekki strax í gang eftir að ýtt er á „Coolmatic“, eða eftir að hitastigi er breytt.	Þjappan ræsist eftir nokkurn tíma.	Þetta er eðlilegt, engin villa hefur komið upp.
Hurðin er skökk eða rekt í loftræstiristína.	Tækið er ekki lárétt.	Sjá leiðbeiningar um uppsetningu.
Hurð opnast ekki auðveldlega.	Þú reyndir að opna hurðina aftur strax eftir að þú lokaðir henni.	Bíddu í nokkrar sekúndur á milli þess að loka og opna hurðina aftur.
Ljósíð virkar ekki.	Ljósíð er í reiðuham.	Lokaðu og opnaðu hurðina.
	Ljósíð er bilað.	Hafðu samband við næstu viðurkenndu þjónustumiðstöð.
Það er of mikið hrím og klaki.	Hurðin er ekki nægilega vel lokað.	Sjá „Hurðinni lokað“ hlutann.
	Þéttiborðinn er afmyndaður eða óhr-einn.	Sjá „Hurðinni lokað“ hlutann.
	Matvöru er ekki rétt pakkað.	Pakkaðu matvörunni betur.
	Hitastig er rangt stillt.	Sjá „Stjórnborð“ kaflann.
	Heimilistækið er fullhlaðið og er stillt á lægsta hitastig.	Stilltu hærra hitastig. Sjá „Stjórnborð“ kaflann.
	Hitastigið sem stillt er á heimilistækinu er of lágt og umhverfishitastig er of hátt.	Stilltu hærra hitastig. Sjá „Stjórnborð“ kaflann.
Vatnið flæðir á afturplötu kælikápsins.	Á meðan á sjálfvirka affrystingarferlinu stendur, bræðir það frostið á afturplötunni.	Þetta er í lagi.



Vandamál	Möguleg ástæða	Lausn
Of mikið vatn þéttist á afturveggi kæliskápsins.	Hurðin var opnuð of oft.	Opnaðu hurðina aðeins þegar nauðsynlegt er.
	Hurðinni var ekki lokað til fulls.	Gakktu úr skugga um að hurðinni sé lokað til fulls.
	Geymdum mat var ekki pakkað.	Pakkaðu mat í hentugar þakningar áður en þú setur hann í heimilistæk-ið.
Vatn flæðir inn í kæliskápnun.	Matvara hindrar að vatn renni í vatnssafnarann.	Gakktu úr skugga um að matvara snerti ekki aftari plötuna.
	Vatnsúttakið er stíflað.	Þrífðu vatnsúttakið.
Vatn flæðir á gólfinu.	Vatnsbræðsluúttakið er ekki tengt við uppgufunarbakkan fyrir ofan þjöppuna.	Tengdu vatnsbræðsluúttakið við uppgufunarbakkan.
Ekki er hægt að stilla hitastigið.	Kveikt er á Coolmatic aðgerð.	Slökktu handvirkt á Coolmatic aðgerð , eða biðdu þar til aðgerðin afvirkjast sjálfkrafa til þess að stilla hitastigið. Sjá kaflana „Coolmatic Aðgerð“.
Hitastig heimilistækisins er of lágt/hátt.	Hitastigið er ekki rétt stillt.	Stilltu hitastigið hærra/lægra.
	Hurðin er ekki nægilega vel lokuð.	Sjá „Hurðinni lokað“ hlutann.
	Hitastig matvörunnar er of hátt.	Láttu hitastig matvörunnar lækka að stofuhita áður en hún er geymd.
	Of mikið af matvöru er geymt í einu.	Bættu við minna af matvöru í einu.
	Hurðin hefur verið opnuð of oft.	Opnaðu hurðina aðeins ef nauðsyn krefur.
	Kveikt er á Coolmatic aðgerðinni.	Sjá kaflann „Coolmatic Aðgerð“ .
	Það er ekkert kalt loffflæði í heimilistækinu.	Gakktu úr skugga um að það sé kalt loffflæði í heimilistækinu. Sjá „Ábendingar og góð ráð“ kaflann.
	DEMO birtist á skjánum.	Heimilistækið er í sýnikennsluham.
Táknið  eða  eða  er sýnt í staðinn fyrir tölurnar á skjánum fyrir hitastig.	Vandamál með hitaskynjara.	Hafðu samband við næstu viðurkenndu þjónustumiðstöð. Kælikerfið mun halda áfram að halda matvælum köldum en aðlögun hitastigs verður ekki möguleg.



Ef ráðið skilar ekki óskaðri niðurstöðu skaltu hringja í næstu viðurkenndu þjónustumiðstöð.

## 8.2 Skipt um ljósið

Heimilistækið er búið ljósdíóðuljósi með langan endingartíma.

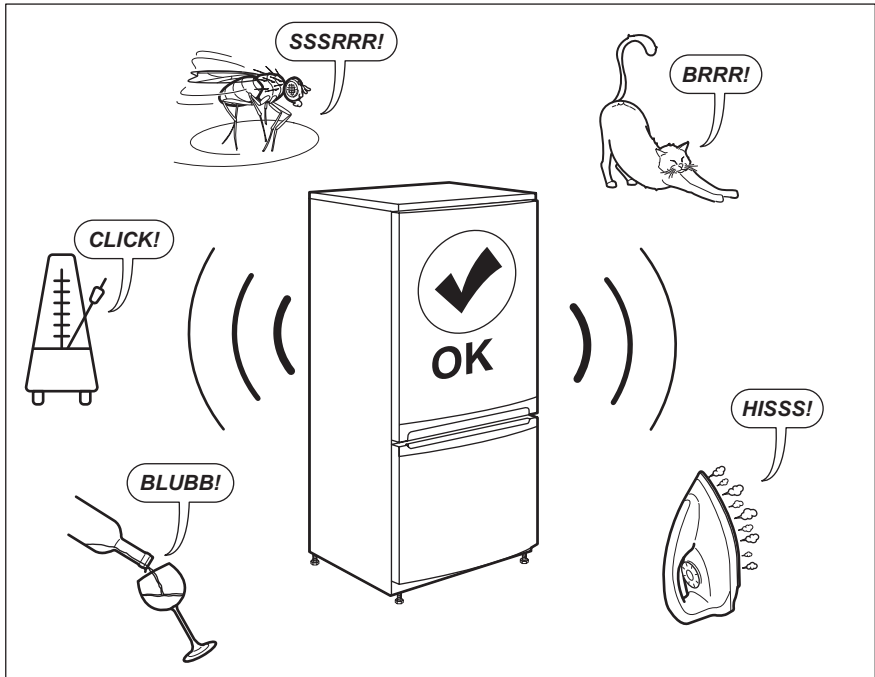
Aðeins viðgerðarþjónustuaðilar mega skipta um ljósabúnaðinn. Hafið samband við viðurkennda þjónustumiðstöð.

### 8.3 Hurðinni lokað

1. Þrífið þéttborða hurðarinnar.

2. Stillið af hurðina ef nauðsynlegt er. Sjá leiðbeiningar um uppsetningu.
3. Ef nauðsynlegt reynist, skal skipta um ónýta þéttborða. Hafið samband við viðurkennda þjónustumiðstöð.

## 9. HÁVAÐI



## 10. TÆKNILEGAR UPPLÝSINGAR

Tæknilegar upplýsingar eru á merkiplötunni, á ytri eða innri hlið heimilistækisins og á orkumerkimiðanum.

QR-kóðinn á orkumerkingunni sem fylgir þessu tæki, gefur upp tengil á vefsíðu varðandi upplýsingar um frammistöðu tækisins í gagnagrunni EU EPREL. Geymdu orkumerkimiðann til uppflettingar ásamt notandahandbókinni og öllum öðrum skjölum sem fylgja með þessu heimilistæki.

Það er einnig mögulegt að nálgast sömu upplýsingar í EPREL með því að nota tengilinn: <https://eprel.ec.europa.eu> og gerðarheiti og framleiðslunúmer sem finna má á merkiplötu heimilistækisins.


Skoðaðu tengilinn [www.theenergylabel.eu](http://www.theenergylabel.eu) varðandi ítarlegar upplýsingar um orkumerkingar.


## 11. UPPLÝSINGAR FYRIR PRÓFUNARSTOFNANIR

Uppsetning og undirbúningur heimilistækisins fyrir EcoDesign-vottun verður að samræmast EN 62552 (EU). Loftræstingarkröfur, stærðir skotsins og lágmarksbil að aftan verður að vera eins og tilgreint er í „Uppsetning“ í

þessari notandahandbók. Hafðu samband við framleiðanda fyrir allar frekari upplýsingar, þar með talið hleðsluáætlanir.

## 12. UMHVERFISMÁL

Endurvinnna þarf öll efni merkt táknuinu . Setjið umbúðirnar í viðeigandi sorpílát til endurvinnslu. Leggið ykkar að mörkum til verndar umhverfinu og heilsu manna og dýra og endurvinnið rusl sem fylgir raftækjum og raftrænum búnaði. Hendið ekki

heimilistækjum sem merkt eru með táknuinu  í venjulegt heimilisrusl. Farið með vöruna í næstu endurvinnslustöð eða hafið samband við sveitarfélagið.

**aeg.com**

222381635-A-222023



**CE**