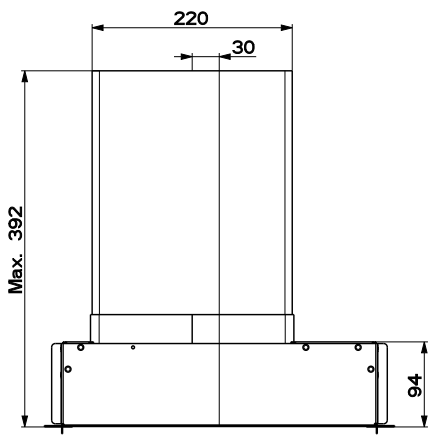
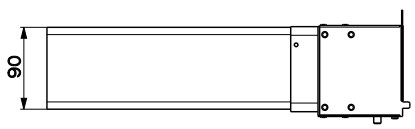
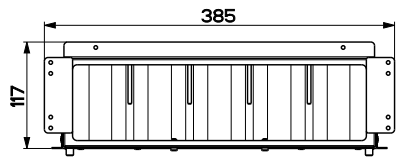
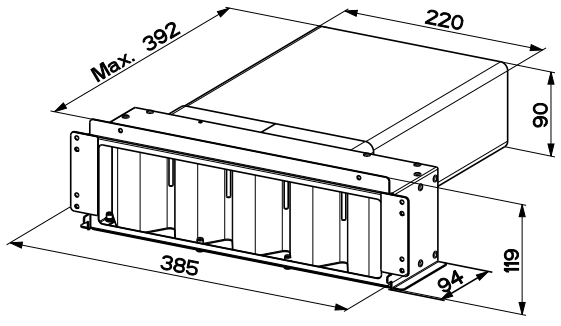
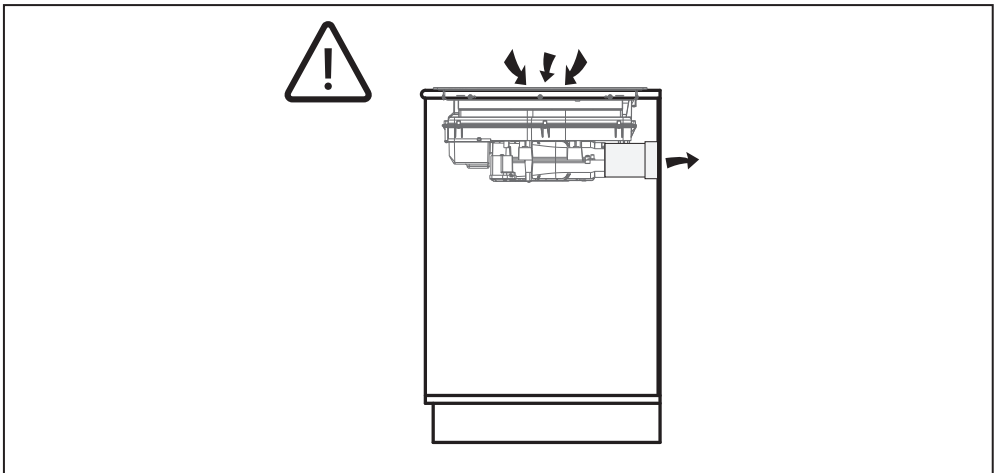
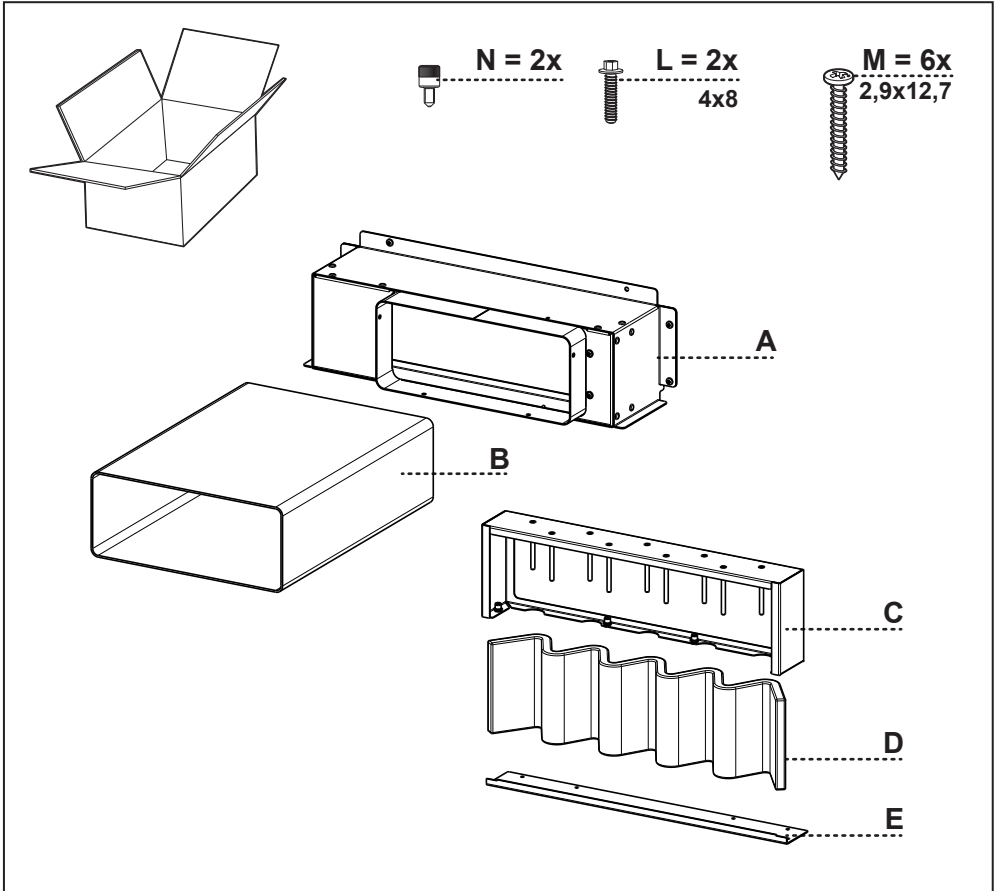
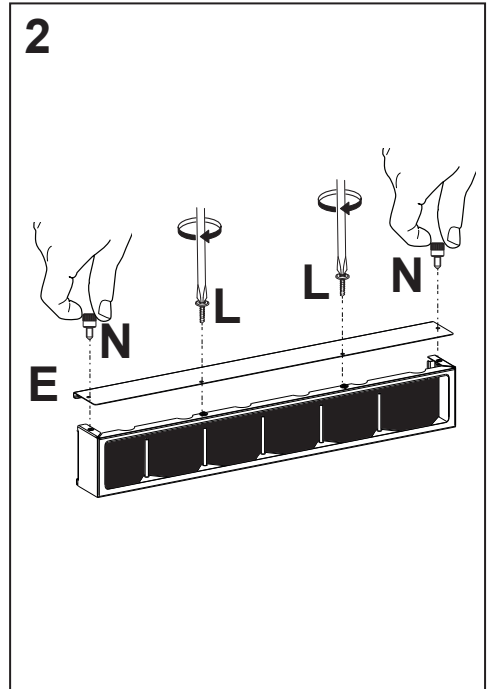
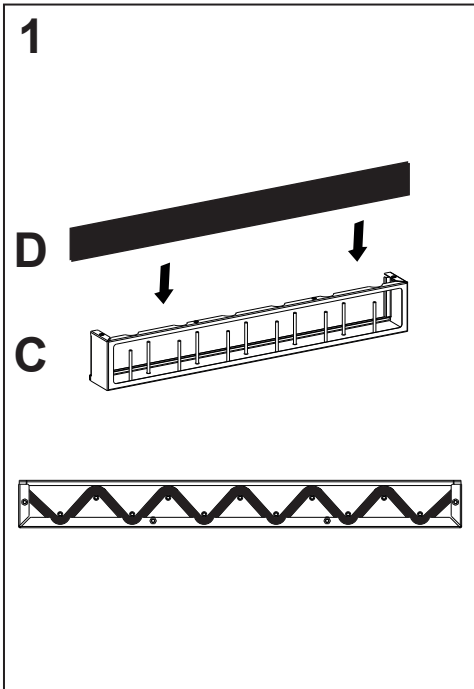
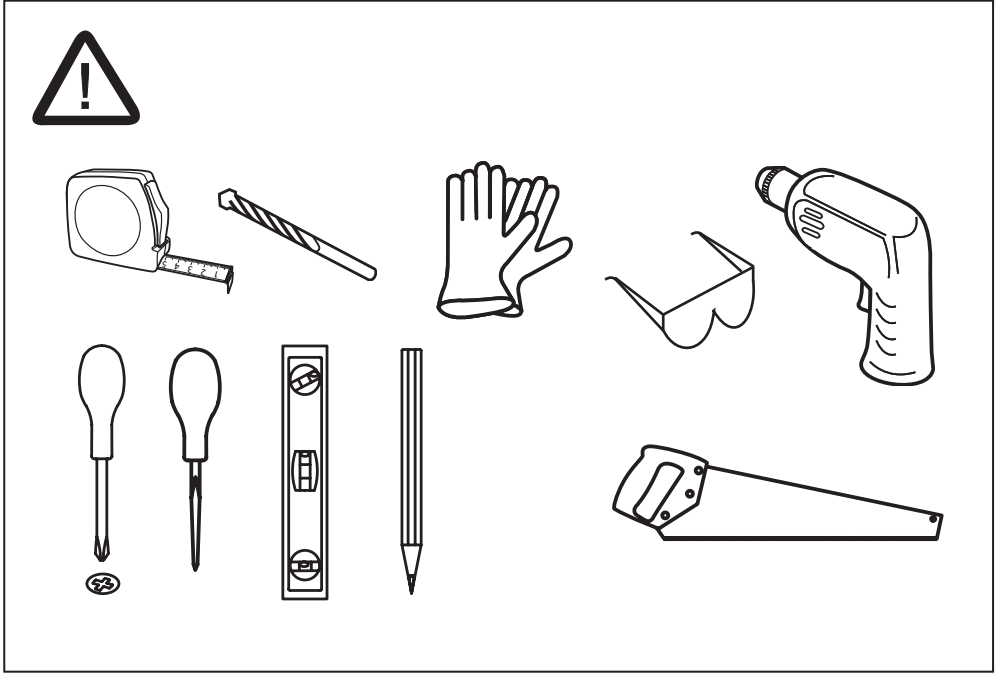


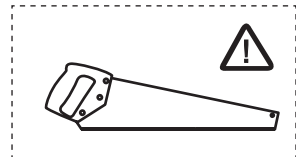
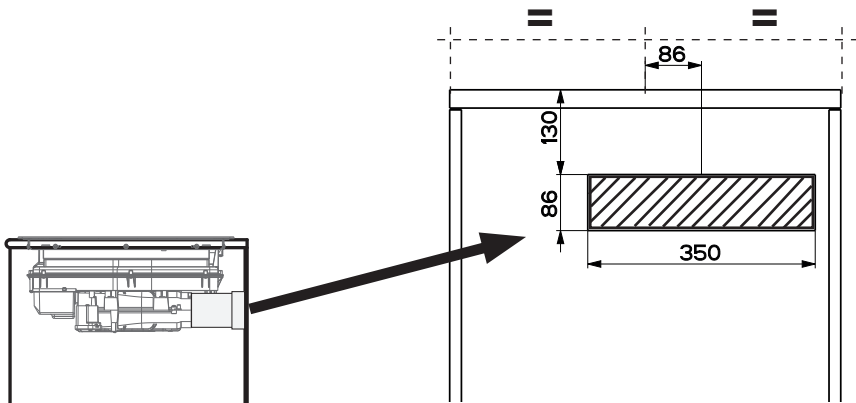
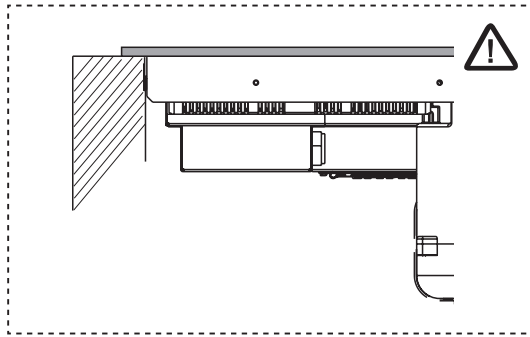
BACK RECIRCULATION KIT HOB EXTRACTOR

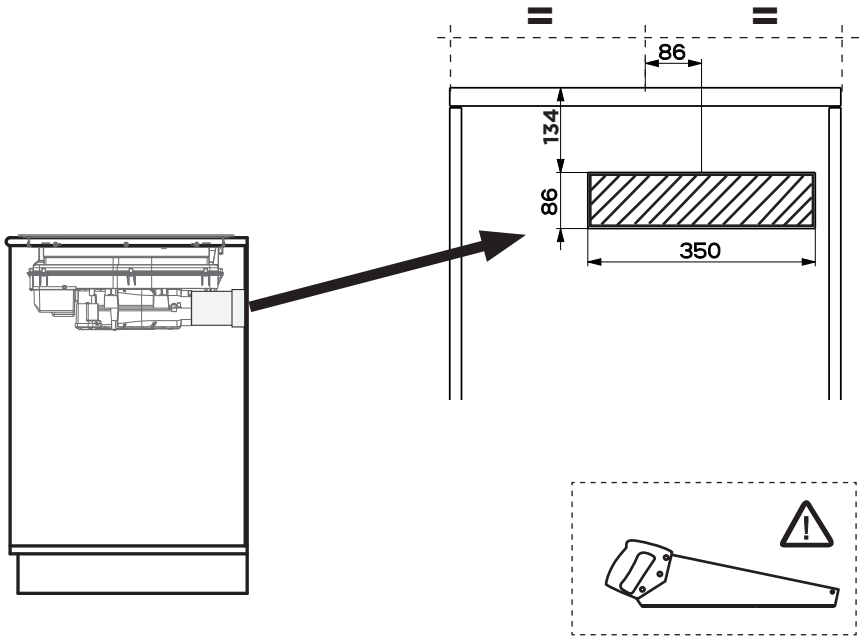
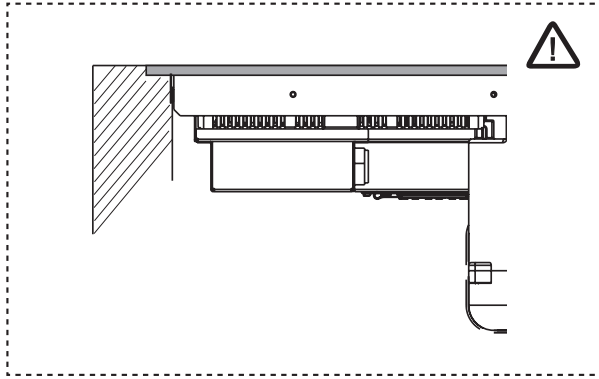


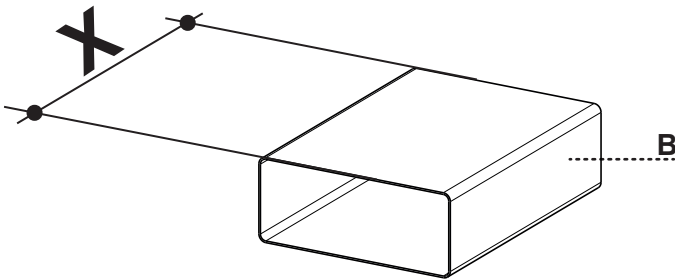
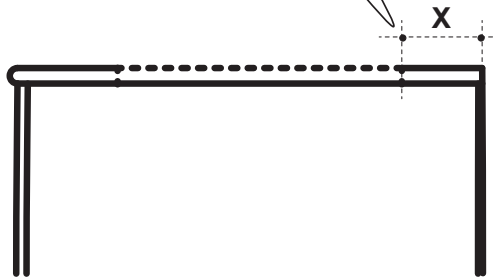
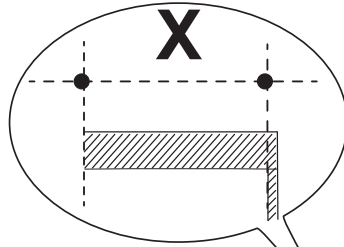


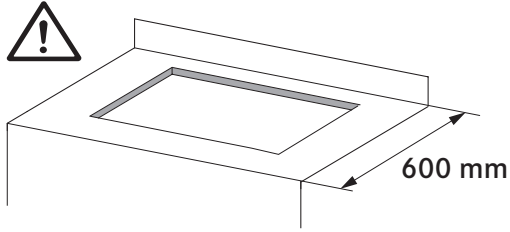
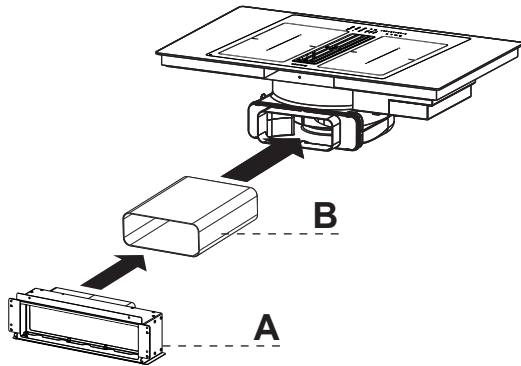
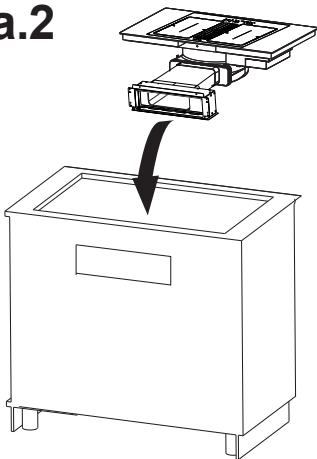
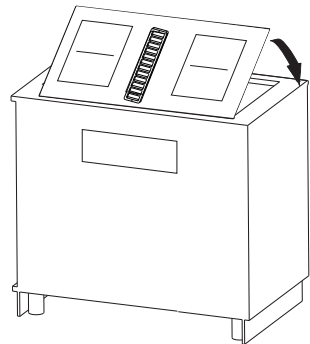


3.a

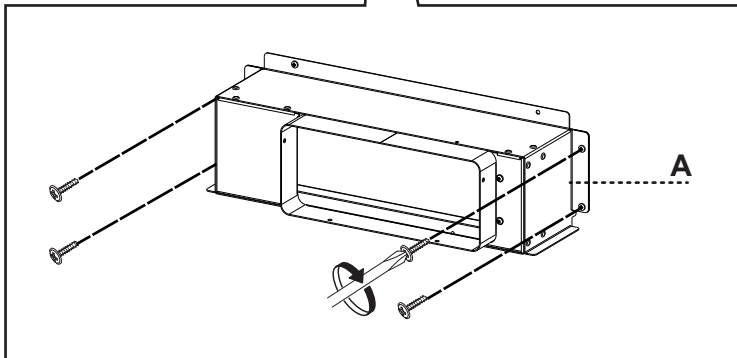
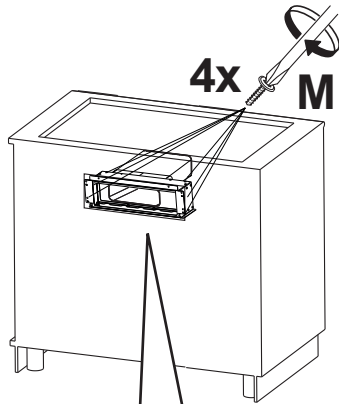


3.b

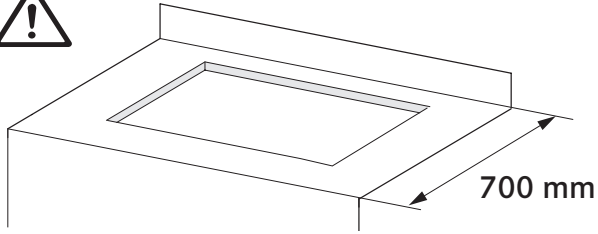


4.a**4.a.1****4.a.2****4.a.3**

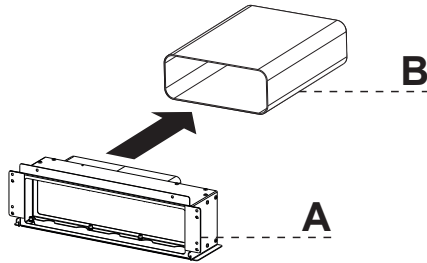
4.a.4



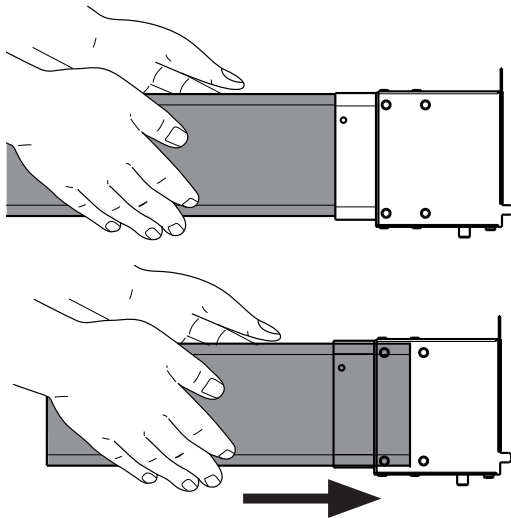
4.b



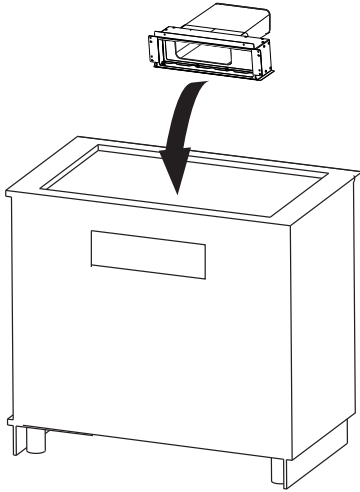
4.b.1



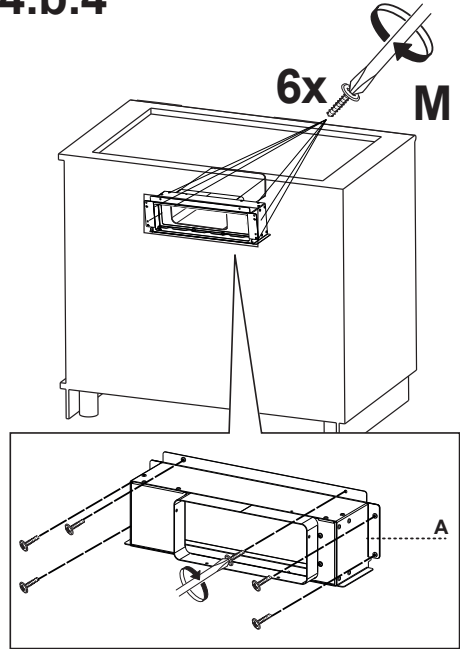
4.b.2



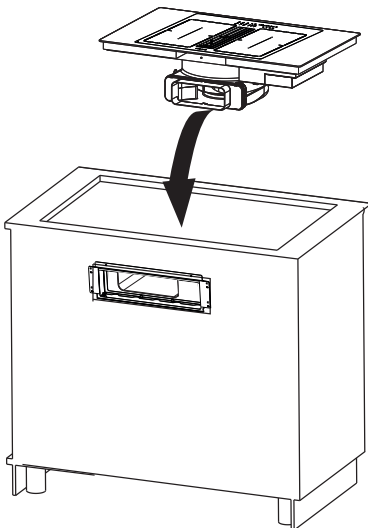
4.b.3



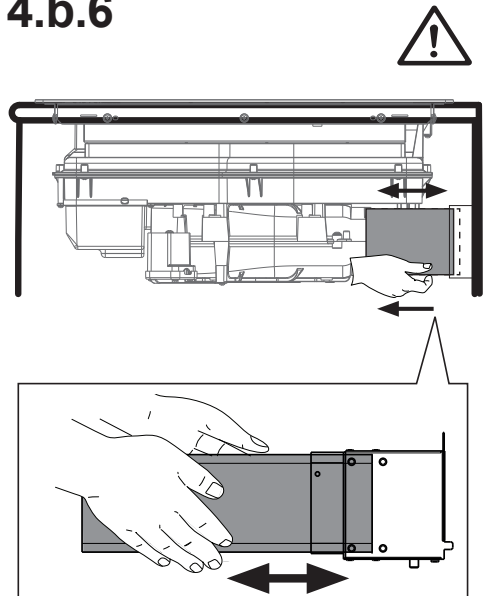
4.b.4



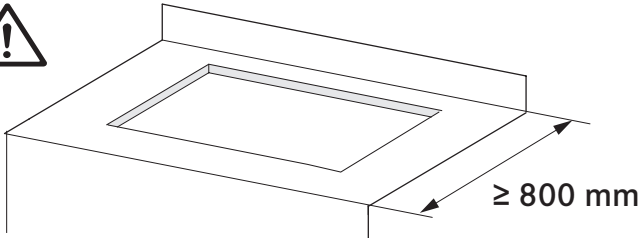
4.b.5



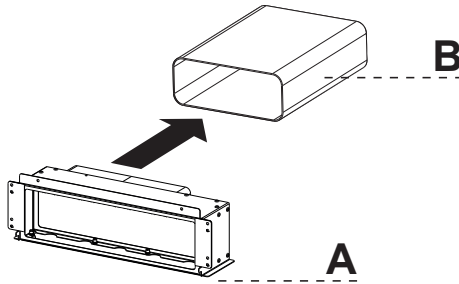
4.b.6



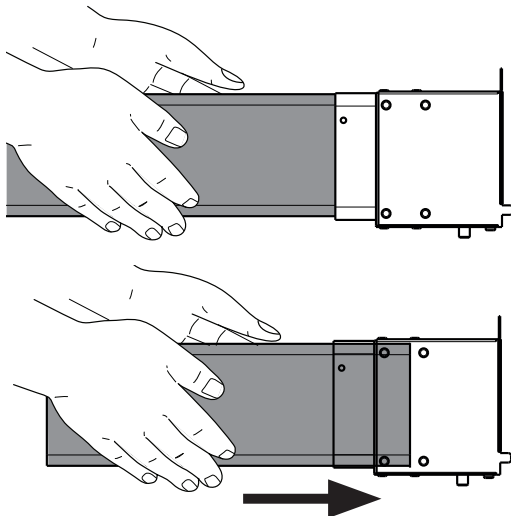
4.c



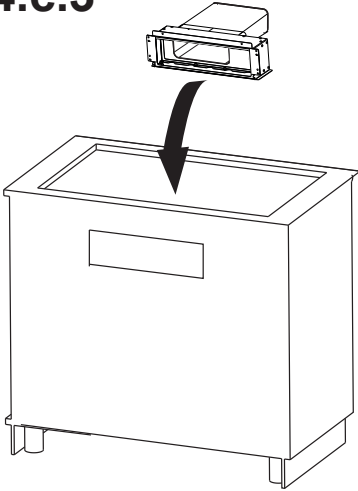
4.c.1



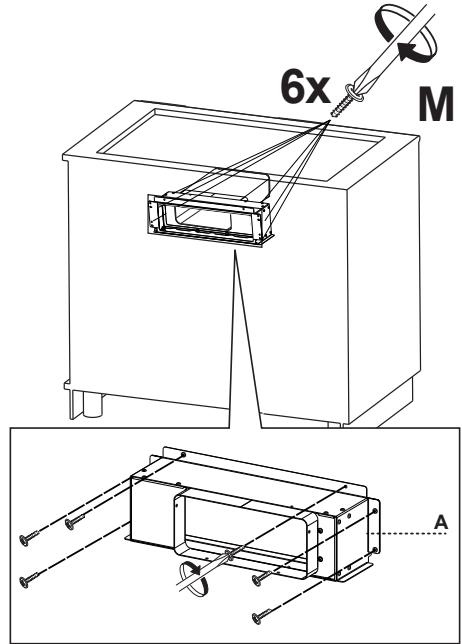
4.c.2



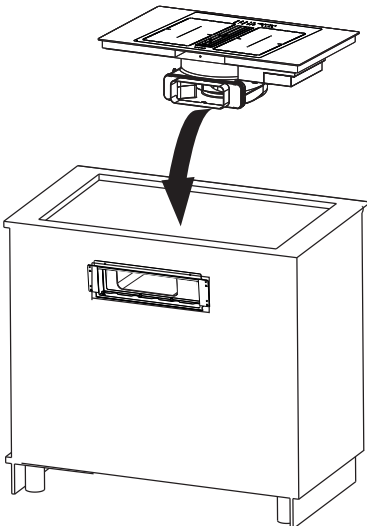
4.c.3



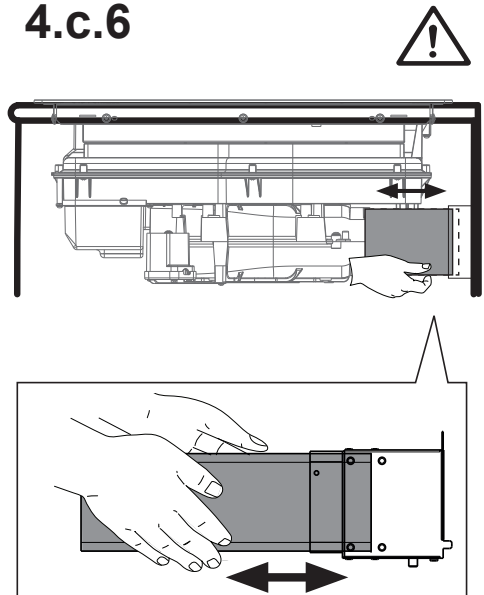
4.c.4

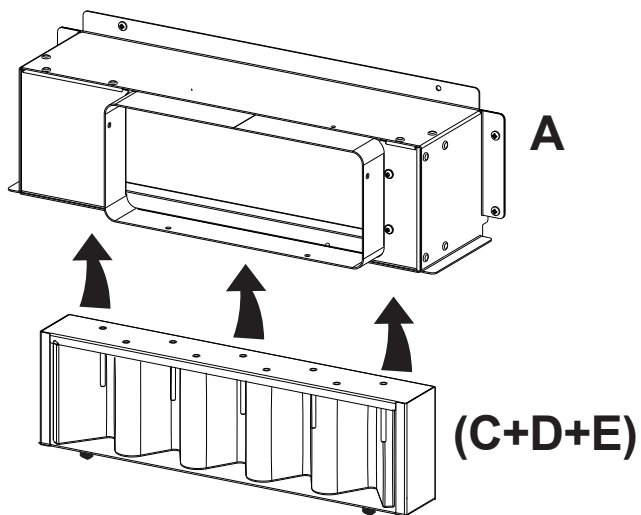


4.c.5



4.c.6



5



Franke S.p.a.
Via Pignolini,2
37019 Peschiera del Garda (VR)
www.franke.it

991.0682.216_01 - 220627
D00008784_00