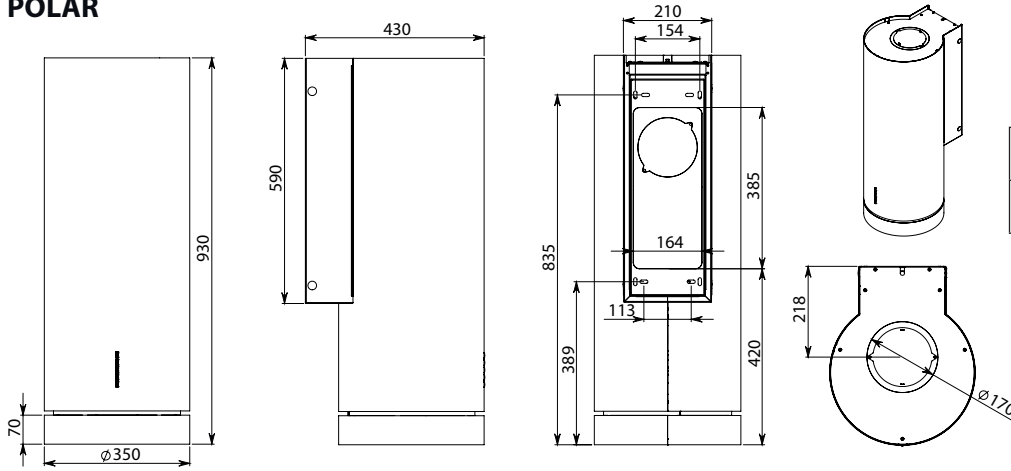


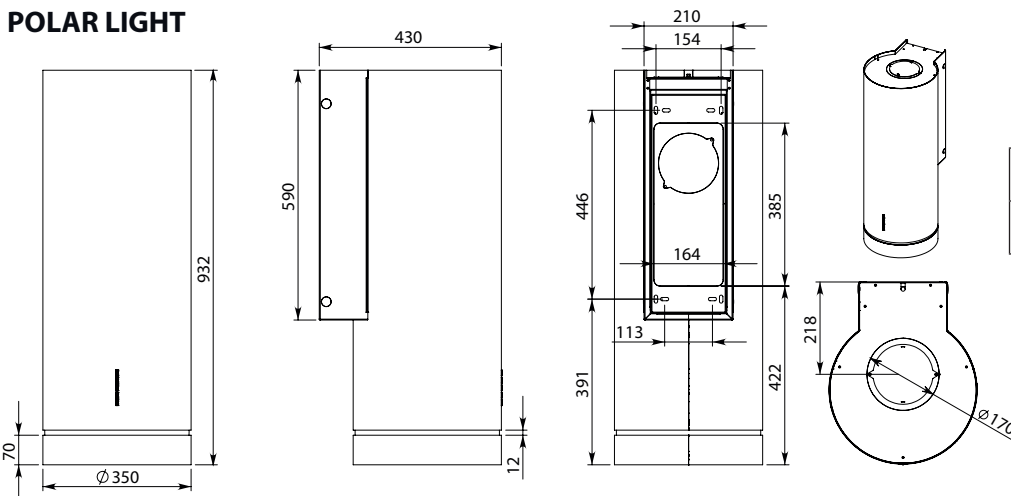
POLAR



PARETE / WALL

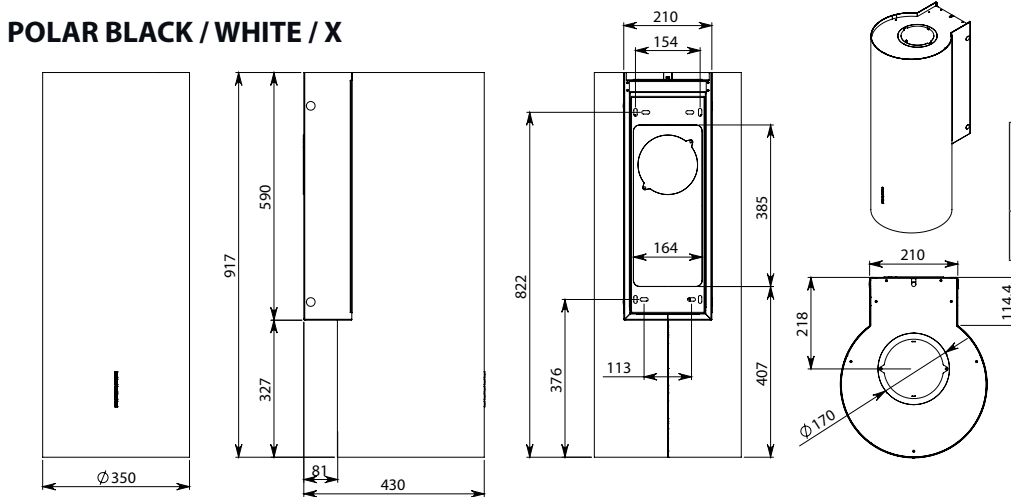
POLAR
Paret/Wall: 23 Kg

POLAR LIGHT



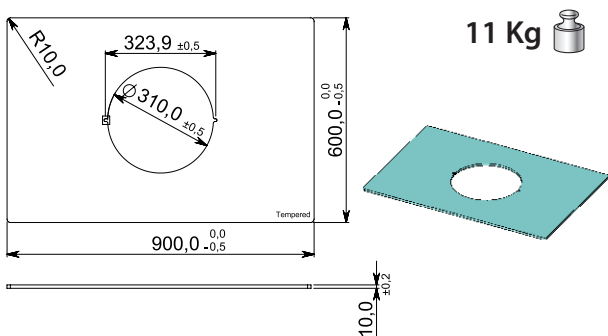
POLAR LIGHT
Paret/Wall: 24 Kg

POLAR BLACK / WHITE / X



**POLAR BLACK/WHITE/
X**
Paret/Wall: 23 Kg

POLAR ISLAND GLASS



POLAR WALL GLASS

