



Local air conditioner

User Manual



BS107CN
BS107CB

EN - FR



07M-8893163200-4623-01

Please read this user manual first!

Dear Customer,

Thank you for preferring a Beko product. We hope that you get the best results from your product which has been manufactured with high quality and state-of-the-art technology. Therefore, please read this entire user manual and all other accompanying documents carefully before using the product and keep it as a reference for future use. If you handover the product to someone else, give the user manual as well. Follow all warnings and information in the user manual.

Meanings of the symbols


Following symbols are used in the various section of this manual:

	Important information or useful hints about usage.
--	--

	Warning for hazardous situations with regard to life and property.
--	--


	Warning to actions that must never perform.
--	---


	Warning for electric shock.
---	-----------------------------

	Warning for hot surfaces.
--	---------------------------

	Do not cover it.
--	------------------

	This symbol shows that the operation manual should be read carefully.
---	---

	This symbol shows that a service personnel should be handling this equipment with reference to the installation manual.
---	---

	This symbol shows that this appliance used a flammable refrigerant. If the refrigerant is leaked and exposed to an external ignition source, there is a risk of fire.
--	---



CONTENTS

1 Safety instructions	4
2 Features and components	20
2.1 Features.....	20
2.2 Components	20
3 Control setting	22
3.1 Control panel operation instructions.....	22
3.2 Operation instructions of remote control	23
4 Protection function	25
5 Installation and adjustment	26
5.1 Installation.....	26
6 Drainage instructions	29
7 Maintenance	31
7.1 Clean the surface	31
7.2 Clean the filter screen.....	31
7.3 Clean the upper filter screen frame	31
8 Unit Storage	32
9 Troubleshooting	33
10 Addendum	35
11 Installation instructions	36
11.1 F-Gas instruction.....	36
12 Specifications	37

The refrigerant used in mobile air conditioners is the environmentally friendly hydrocarbon R290. This refrigerant is odorless, and compared to the alternative refrigerant, the R290 is an ozone-free refrigerant, and its effect is very low.

Please read the instructions before use and repair.

The drawings provided in this manual may not be the same as the physical objects. Please refer to the physical objects.

1 Safety instructions

Warning matters:

- Do not use means to accelerate the defrosting process or to clean, other than those recommended by the manufacturer.
- The appliance shall be stored in a room without continuously operating ignition sources (for example: open flames, an operating gas appliance or an operating electric heater.)
- Do not pierce or burn.
- Be aware that refrigerants may not contain an odour.
- Appliance shall be installed, operated and stored in a room with a floor area larger than 7 m²
- The appliance must be kept free from obstruction to ensure proper function and mitigate safety hazards.
- Servicing shall be performed only as recommended by the manufacturer.
- The appliance shall be stored in a well-ventilated area where the room size corresponds to the room area as specified for operation.
- Any person who is involved with working on or breaking into a refrigerant circuit should hold a current valid certificate from an industry-accredited assessment authority, which authorises their competence to handle refrigerants safely in accordance with an industry recognised assessment specification.
- Servicing shall only be performed as recommended by the equipment manufacturer. Maintenance and repair requiring the assistance of other skilled personnel shall be carried out under the supervision of the person competent in the use of flammable refrigerants.

1 Safety instructions

- All working procedure that affects safety means shall only be carried by competent persons.

Note:

- The air conditioning is only suitable for indoor use, and is not suitable for other applications.
- Follow local grid interconnection rules while installing the air conditioning and ensure that it is properly grounded. If you have any question on electrical installation, follow the instructions of the manufacturer, and if necessary, ask a professional electrician to install it.
- Place the machine in a flat and dry place and keep a distance of above 50cm between the machine and the surrounding objects or walls.
- After the air conditioning is installed, ensure that the power plug is intact and firmly plugged into the power outlet, and place the power cord orderly to prevent someone from being tripped or pulling out the plug.
- Do not put any object into the air inlet and outlet of the air conditioning. Keep the air inlet and outlet free from obstructions.
- When drainage pipes are installed, ensure that the drainage pipes are properly connected, and are not distorted or bended.
- While adjusting the upper and lower wind-guide strips of the air outlet, pluck it with hands gently to avoid damaging wind-guide strips.



1 Safety instructions

Note:

- When moving the machine, make sure that it is in an upright position.
- The machine should stay away from gasoline, flammable gas, stoves and other heat sources.
- Don't disassemble, overhaul and modify the machine arbitrarily, otherwise it will cause a machine malfunction or even bring harm to persons and properties. To avoid danger, if a machine failure occurs, ask the manufacturer or professionals to repair it.
- Do not install and use the air conditioning in the bathroom or other humid environments.
- Do not pull the plug to turn off the machine.
- Do not place cups or other objects on the body to prevent water or other liquids from spilling into the air conditioning.
- Do not use insecticide sprays or other flammable substances near the air conditioning.
- Do not wipe or wash the air conditioning with chemical solvents such as gasoline and alcohol. When you need to clean the air conditioning, you must disconnect the power supply, and clean it with a half-wet soft cloth. If the machine is really dirty, scrub with a mild detergent.



1 Safety instructions

Note:

- This appliance can be used by children aged from 8 years and above if they have been given supervision or instruction concerning use of the appliance in a safe way and understand the hazards involved. Cleaning and user maintenance shall not be made by children unless they are aged from 8 years and above and supervised. Keep the appliance and its cord out of reach of children aged less than 8 years.
- If the supply cord is damaged, it must be replaced by the manufacturer, its service agent or similarly qualified persons in order to avoid a hazard.
- The appliance shall be installed in accordance with national wiring regulations.
- Do not operate your air conditioner in a wet room such as a bathroom or laundry room.
- This appliance is not intended for use by persons (including children) with reduced physical, sensory or mental capabilities, or lack of experience and knowledge, unless they have been given supervision or instruction concerning use of the appliance by a person responsible for their safety.
- Children should be supervised to ensure that they do not play with the appliance.



1 Safety instructions



- Warning Do not use manuals to accelerate the defrosting process or to clean, other than those recommended by the manufacturer. The appliance shall be stored in a room without continuously operation ignition sources (for example: open flames, an operation gas appliance or an operating electric heater.) Do not pierce or burn. Be aware that refrigerants may not contain an odour.
- The appliance shall state the insulation of a residual current device (RCD) having rated residual operating current not exceeding 30mA.
- This appliance is intended to be used in household and similar applications such as
 - Staff kitchen areas in shops, offices and other working environments;
 - farm houses;
 - by clients in hotels, motels and other residential type environments;
 - bed and breakfast type environments;

Transportation, marking and storage for units

- Transport of equipment containing flammable refrigerants
Compliance with the transport regulations
- Marking of equipment using signs
Compliance with local regulations
- Disposal of equipment using flammable refrigerants
Compliance with national regulations

1 Safety instructions

- Storage of equipment/appliances

The storage of equipment should be in accordance with the manufacturer's instructions.

- Storage of packed (unsold) equipment

Storage package protection should be constructed such that mechanical damage to the equipment inside the package will not cause a leak of the refrigerant charge.

The maximum number of pieces of equipment permitted to be stored together will be determined by local regulations.

1. Information on servicing

1) Checks to the area

Prior to beginning work on systems containing flammable refrigerants, safety checks are necessary to ensure that the risk of ignition is minimised. For repair to the refrigerating system, the following precautions shall be complied with prior to conducting work on the system.

2) Work procedure

Work shall be undertaken under a controlled procedure so as to minimise the risk of a flammable gas or vapour being present while the work is being performed.

3) General work area

All maintenance staff and others working in the local area shall be instructed on the nature of work being carried out. Work in confined spaces shall be avoided. The area around the workspace shall be sectioned off. Ensure that the conditions within the area have been made safe by control of flammable material.

1 Safety instructions

4) Checking for presence of refrigerant

The area shall be checked with an appropriate refrigerant detector prior to and during work, to ensure the technician is aware of potentially flammable atmospheres. Ensure that the leak detection equipment being used is suitable for use with flammable refrigerants, i.e. non-sparking, adequately sealed or intrinsically safe.

5) Presence of fire extinguisher

If any hot work is to be conducted on the refrigeration equipment or any associated parts, appropriate fire extinguishing equipment shall be available to hand. Have a dry powder or CO₂ fire extinguisher adjacent to the charging area.

6) No ignition sources

No person carrying out work in relation to a refrigeration system which involves exposing any pipe work that contains or has contained flammable refrigerant shall use any sources of ignition in such a manner that it may lead to the risk of fire or explosion. All possible ignition sources, including cigarette smoking, should be kept sufficiently far away from the site of installation, repairing, removing and disposal, during which flammable refrigerant can possibly be released to the surrounding space. Prior to work taking place, the area around the equipment is to be surveyed to make sure that there are no flammable hazards or ignition risks. "No Smoking" signs shall be displayed.

7) Ventilated area

Ensure that the area is in the open or that it is adequately ventilated before breaking into the system or conducting any hot work. A

1 Safety instructions

degree of ventilation shall continue during the period that the work is carried out. The ventilation should safely disperse any released refrigerant and preferably expel it externally into the atmosphere.

8) Checks to the refrigeration equipment

Where electrical components are being changed, they shall be fit for the purpose and to the correct specification. At all times the manufacturer's maintenance and service guidelines shall be followed. If in doubt consult the manufacturer's technical department for assistance.

The following checks shall be applied to installations using flammable refrigerants:

- The charge size is in accordance with the room size within which the refrigerant containing parts are installed;
- The ventilation machinery and outlets are operating adequately and are not obstructed;
- If an indirect refrigerating circuit is being used, the secondary circuit shall be checked for the presence of refrigerant;
- Marking to the equipment continues to be visible and legible. Markings and signs that are illegible shall be corrected;
- Refrigeration pipe or components are installed in a position where they are unlikely to be exposed to any substance which may corrode refrigerant containing components, unless the components are constructed of materials which are inherently resistant to being corroded or are suitably protected against being so corroded.

1 Safety instructions

9) Checks to electrical devices

Repair and maintenance to electrical components shall include initial safety checks and component inspection procedures. If a fault exists that could compromise safety, then no electrical supply shall be connected to the circuit until it is satisfactorily dealt with. If the fault cannot be corrected immediately but it is necessary to continue operation, an adequate temporary solution shall be used. This shall be reported to the owner of the equipment so all parties are advised.

Initial safety checks shall include:

- That capacitors are discharged: this shall be done in a safe manner to avoid possibility of sparking;
- That there no live electrical components and wiring are exposed while charging, recovering or purging the system;
- That there is continuity of earth bonding.

2.Repairs to sealed components

1) During repairs to sealed components, all electrical supplies shall be disconnected from the equipment being worked upon prior to any removal of sealed covers, etc. If it is absolutely necessary to have an electrical supply to equipment during servicing, then a permanently operating form of leak detection shall be located at the most critical point to warn of a potentially hazardous situation.

2) Particular attention shall be paid to the following to ensure that by working on electrical components, the casing is not altered in such a way that the level of protection is affected.

1 Safety instructions

This shall include damage to cables, excessive number of connections, terminals not made to original specification, damage to seals, incorrect fitting of glands, etc.

Ensure that apparatus is mounted securely.

Ensure that seals or sealing materials have not degraded such that they no longer serve the purpose of preventing the ingress of flammable atmospheres. Replacement parts shall be in accordance with the manufacturer's specifications.



Note: The use of silicon sealant may inhibit the effectiveness of some types of leak detection equipment. Intrinsically safe components do not have to be isolated prior to working on them.

3.Repair to intrinsically safe components

Do not apply any permanent inductive or capacitance loads to the circuit without ensuring that this will not exceed the permissible voltage and current permitted for the equipment in use.

Intrinsically safe components are the only types that can be worked on while live in the presence of a flammable atmosphere. The test apparatus shall be at the correct rating.

Replace components only with parts specified by the manufacturer. Other parts may result in the ignition of refrigerant in the atmosphere from a leak.

4.Cabling

Check that cabling will not be subject to wear, corrosion, excessive pressure, vibration, sharp edges or any other adverse environmental

1 Safety instructions

effects. The check shall also take into account the effects of aging or continual vibration from sources such as compressors or fans.

5. Detection of flammable refrigerants

Under no circumstances shall potential sources of ignition be used in the searching for or detection of refrigerant leaks. A halide torch (or any other detector using a naked flame) shall not be used.

6. Leak detection methods

The following leak detection methods are deemed acceptable for systems containing flammable refrigerants.

Electronic leak detectors shall be used to detect flammable refrigerants, but the sensitivity may not be adequate, or may need re-calibration. (Detection equipment shall be calibrated in a refrigerant-free area.) Ensure that the detector is not a potential source of ignition and is suitable for the refrigerant used. Leak detection equipment shall be set at a percentage of the LFL of the refrigerant and shall be calibrated to the refrigerant employed and the appropriate percentage of gas (25 % maximum) is confirmed.

Leak detection fluids are suitable for use with most refrigerants but the use of detergents containing chlorine shall be avoided as the chlorine may react with the refrigerant and corrode the copper pipe-work.

If a leak is suspected, all naked flames shall be removed/ extinguished. If a leakage of refrigerant is found which requires brazing, all of the refrigerant shall be recovered from the system, or isolated (by means of shut off valves) in a part of the system remote

1 Safety instructions

from the leak. Oxygen free nitrogen (OFN) shall then be purged through the system both before and during the brazing process.

7. Removal and evacuation

When breaking into the refrigerant circuit to make repairs - or for any other purpose - conventional procedures shall be used. However, it is important that best practice is followed since flammability is a consideration. The following procedure shall be adhered to:

- Remove refrigerant;
- Purge the circuit with inert gas;
- Evacuate;
- Purge again with inert gas;
- Open the circuit by cutting or brazing.

The refrigerant charge shall be recovered into the correct recovery cylinders. The system shall be "flushed" with OFN to render the unit safe. This process may need to be repeated several times. Compressed air or oxygen shall not be used for this task.

Flushing shall be achieved by breaking the vacuum in the system with OFN and continuing to fill until the working pressure is achieved, then venting to atmosphere, and finally pulling down to a vacuum. This process shall be repeated until no refrigerant is within the system. When the final OFN charge is used, the system shall be vented down to atmospheric pressure to enable work to take place. This operation is absolutely vital if brazing operations on the pipe-work are to take place.

1 Safety instructions

Ensure that the outlet for the vacuum pump is not close to any ignition sources and there is ventilation available.

8.Charging procedures

In addition to conventional charging procedures, the following requirements shall be followed.

- Ensure that contamination of different refrigerants does not occur when using charging equipment. Hoses or lines shall be as short as possible to minimise the amount of refrigerant contained in them.
- Cylinders shall be kept upright.
- Ensure that the refrigeration system is earthed prior to charging the system with refrigerant.
- Label the system when charging is complete (if not already).
- Extreme care shall be taken not to overfill the refrigeration system.

Prior to recharging the system it shall be pressure tested with OFN. The system shall be leak tested on completion of charging but prior to commissioning. A follow up leak test shall be carried out prior to leaving the site.

9.Decommissioning

Before carrying out this procedure, it is essential that the technician is completely familiar with the equipment and all its detail. It is recommended good practice that all refrigerants are recovered safely. Prior to the task being carried out, an oil and refrigerant sample shall be taken in case analysis is required prior to re-use of

1 Safety instructions

reclaimed refrigerant. It is essential that electrical power is available before the task is commenced.

- 1) Become familiar with the equipment and its operation.
- 2) Isolate system electrically.
- 3) Before attempting the procedure ensure that:
 - Mechanical handling equipment is available, if required, for handling refrigerant cylinders;
 - All personal protective equipment is available and being used correctly;
 - The recovery process is supervised at all times by a competent person;
 - Recovery equipment and cylinders conform to the appropriate standards.
- 4) Pump down refrigerant system, if possible.
- 5) If a vacuum is not possible, make a manifold so that refrigerant can be removed from various parts of the system.
- 6) Make sure that cylinder is situated on the scales before recovery takes place.
- 7) Start the recovery machine and operate in accordance with manufacturer's instructions.
- 8) Do not overfill cylinders. (No more than 80 % volume liquid charge).
- 9) Do not exceed the maximum working pressure of the cylinder, even temporarily.

1 Safety instructions

- 10) When the cylinders have been filled correctly and the process completed, make sure that the cylinders and the equipment are removed from site promptly and all isolation valves on the equipment are closed off.
- 11) Recovered refrigerant shall not be charged into another refrigeration system unless it has been cleaned and checked.

10. Labelling

Equipment shall be labelled stating that it has been de-commissioned and emptied of refrigerant. The label shall be dated and signed. Ensure that there are labels on the equipment stating the equipment contains flammable refrigerant.

11. Recovery

When removing refrigerant from a system, either for servicing or decommissioning, it is recommended good practice that all refrigerants are removed safely.

When transferring refrigerant into cylinders, ensure that only appropriate refrigerant recovery cylinders are employed. Ensure that the correct number of cylinders for holding the total system charge is available. All cylinders to be used are designated for the recovered refrigerant and labelled for that refrigerant (i.e. special cylinders for the recovery of refrigerant). Cylinders shall be complete with pressure relief valve and associated shut-off valves in good working order. Empty recovery cylinders are evacuated and, if possible, cooled before recovery occurs.

1 Safety instructions

The recovery equipment shall be in good working order with a set of instructions concerning the equipment that is at hand and shall be suitable for the recovery of flammable refrigerants. In addition, a set of calibrated weighing scales shall be available and in good working order. Hoses shall be complete with leak-free disconnect couplings and in good condition. Before using the recovery machine, check that it is in satisfactory working order, has been properly maintained and that any associated electrical components are sealed to prevent ignition in the event of a refrigerant release. Consult manufacturer if in doubt.

The recovered refrigerant shall be returned to the refrigerant supplier in the correct recovery cylinder, and the relevant Waste Transfer Note arranged. Do not mix refrigerants in recovery units and especially not in cylinders.

If compressors or compressor oils are to be removed, ensure that they have been evacuated to an acceptable level to make certain that flammable refrigerant does not remain within the lubricant. The evacuation process shall be carried out prior to returning the compressor to the suppliers. Only electric heating to the compressor body shall be employed to accelerate this process. When oil is drained from a system, it shall be carried out safely.

Fuse parameters of the machine

Type: 5ET or SMT

Voltage: 250V

Current: 3.15 A

2 Features and components

2.1 Features

Brand new appearance, compact structure, smooth line, simple and generous shape.

Functions of refrigeration, dehumidification, air supply and continuous drainage

Outdoor interface is set high to facility assembly and keep the smooth flow of the heat pipe.

LED displays the control panel, beautiful and fashionable, with high-quality remote control. It adopts a user-friendly remote control design.

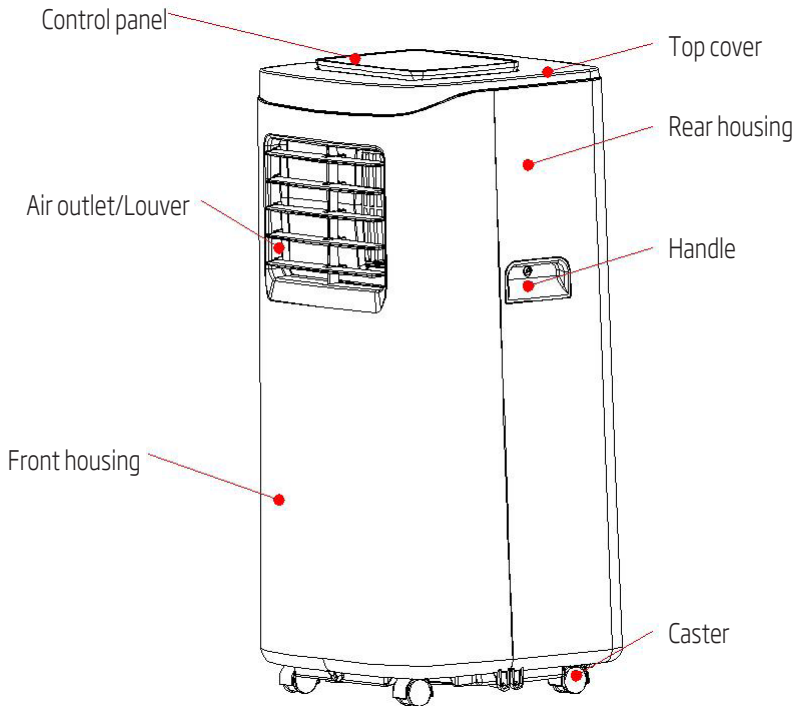
Air filtration capability.

Timing switch function.

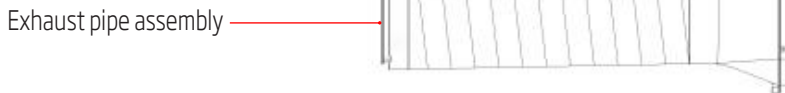
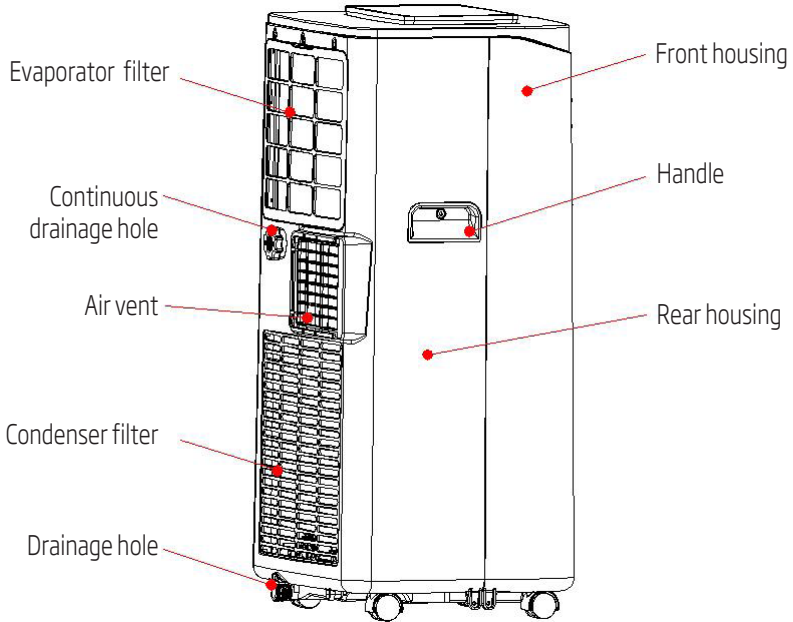
Protection function of automatically restarting the compressor after three minutes, a variety of other protection functions.

The Max operation temperature for the air conditioner Cooling: 35/24°C; heating:20/12 °C;
Temperature operation range: 7-35°C.

2.2 Components



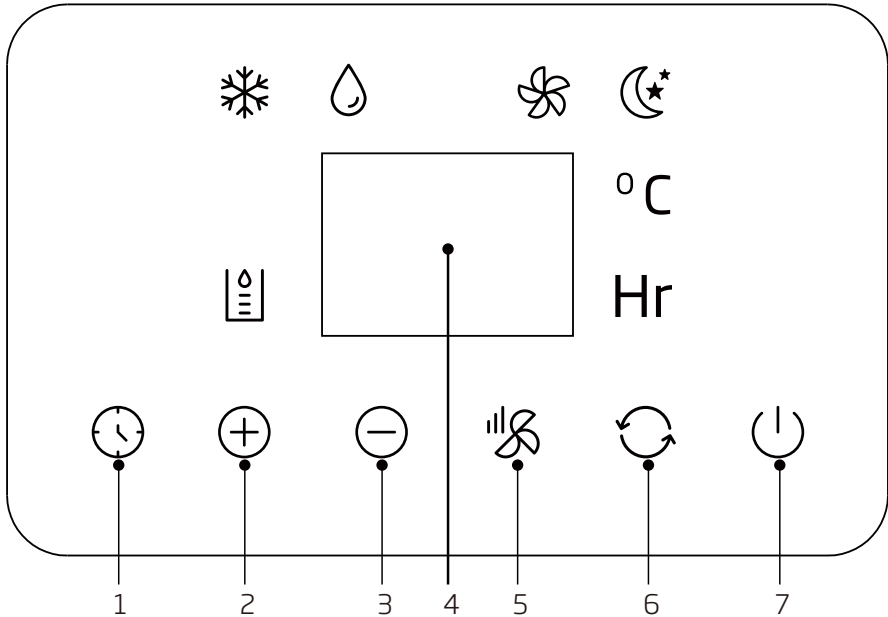
2 Features and components



3 Control setting

3.1 Control panel operation instructions

Operation interface



1. Timer key
2. Up key
3. Down key
4. Display window
5. Fan speed selection key
6. Mode selection key
7. Power key

1. When the machine is powered on for the first time, the buzzer will play power-on music, and then the machine will get into standby status.
2. **Power Key:** press the key to turn on and turn off the machine. In the case of power on, press the key to turn off the machine; in the case of power off, press the key to turn on the machine.
3. **Mode Selection Key:** In the case of power on, press the key to switch between cooling → fan → dehumidifying mode.
4. **Up Key and Down Key:** press the two keys to change the setting temperature or setting time, operate as follows:

While setting temperature, press up key or down key to select the required temperature (not available in fan or dehumidifying mode).

3 Control setting

While setting time, press up key or down key to select the required time.

5. Wind Speed Selection Key:

In cooling and fan mode, press the key to select high,low wind speed operation. But limited by anti-cold conditions, under certain conditions, it may not run according to the set wind speed.

In dehumidifying mode, pressing the key is invalid, and the fan will forcibly choose low wind speed operation.

6. Timing Key:

In the case of power on, press the key to close timing; in the case of power off, press the key to open timing.

Press the key, when the timing symbol flashes, press up and down key to select the required timing value.

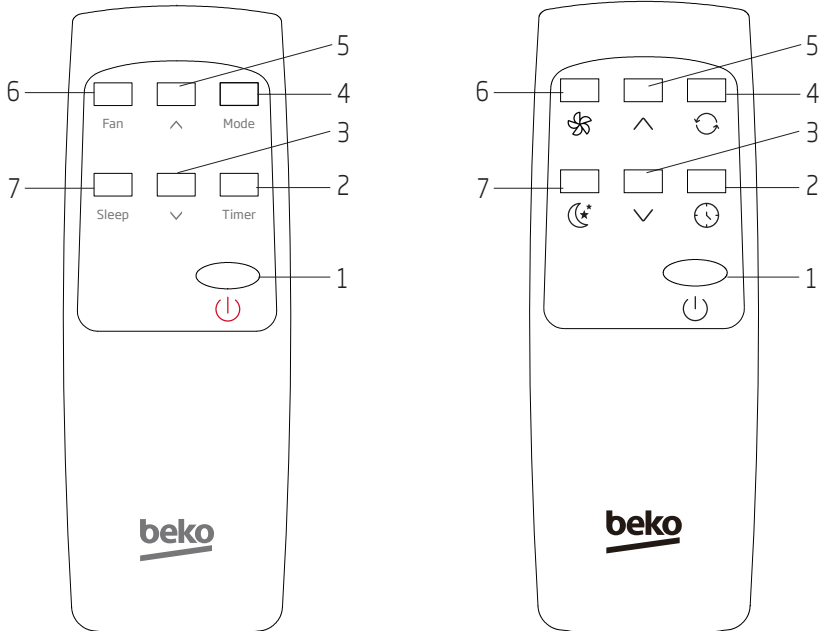
Timing values can be set in 1-24 hours and the timing value is adjusted up or down by one hour.

7. Sleep Mode:

In the cooling Mode, Press the UP and Fan Key to turn on the sleep mode, then the unit will work on Energy-Saving and quiet type.








3.2 Operation instructions of remote control

The remote control Panel is as follows:



3 Control setting

Instructions of key operation of the high-quality remote control are as follows:

1. Power: press the  key to turn on or turn off the machine.
2. Timer: press the Timer  key to set timing.
3. Down: press the  key to reduce temperature and timing set value.
4. Mode: press the Mode  key to switch between cooling, fan, dehumidifying mode.
5. Up: press the  key to increase temperature and timing set value.
6. Fan: press the Fan  key to select high, low wind speed.
7. Sleep mode: press the Sleep  key to turn on the sleep mode.

4 Protection function

1. Frost Protection Function

In cooling, dehumidifying or economic power saving mode, if the temperature of the exhaust pipe is too low, the machine will automatically enter protection status; if the temperature of the exhaust pipe rises to a certain temperature, it can automatically revert to normal operation.

2. Overflow Protection Function

When water in the water pan exceeds the warning level, the machine will automatically sound an alarm, and the "FULL" indicator light will flash. At this point, you need to move the drainage pipe connecting the machine or the water outlet to sewer or other drainage area to empty the water (details see *Drainage Instructions* at the end of this chapter). After the water is emptied, the machine will automatically return to the original state.

3. Automatic Defrosting (Heat pump models have this function.)

The machine has automatic defrosting function. Defrosting can be achieved through four - way valve reversing.

4. Protection Function of the Compressor

To increase the service life of the compressor, it has a 3-minute delay booting protection function after the compressor is turned off.

5 Installation and adjustment

5.1 Installation



Warning: before using the mobile air conditioning, keep it upright for at least two hours.

The air conditioning can be easily moved in the room. In the moving process, ensure that the air conditioning is in the upright position and the air conditioning should be placed on a flat surface. Do not install and use the air conditioning in the bathroom or other humid environments.

1. Install the heat pipe assembly (as shown in Fig. 1)

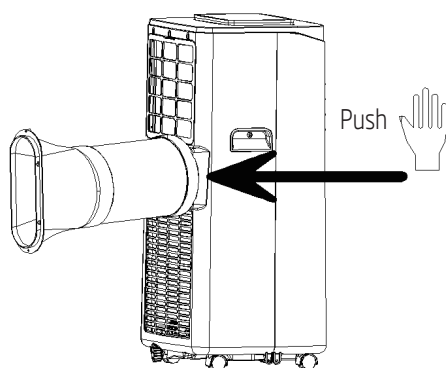


Fig. 1

- 1) Take out the outer connector assembly and the exhaust pipe assembly, and remove the plastic bags;
 - 2) Insert the heat pipe assembly (the end of the exhaust joint) into the back panel vent slot (push to the left) and complete the assembly (as shown in fig. 1).
2. Installation of window sealing plate components
- 1) Half open the window, and mount the window sealing plate assembly to the window (as shown in Fig. 2 and Fig. 3). Components can be placed in horizontal and vertical direction.
 - 2) Pull various components of the window sealing plate assembly open, adjust their opening distance to bring both ends of the assembly into contact with the window frame, and fix various components of the assembly.

5 Installation and adjustment

Note:



1. The flat end of the exhaust pipe joints must be snapped into place.
2. The pipe cannot be distorted nor has substantial turning (greater than 45°). Keep the ventilation of the exhaust pipe not blocked.

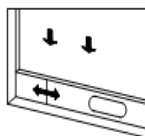


Fig. 2

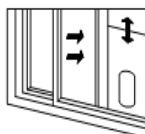


Fig. 3

3. Install the body

- 1) Move the machine with installed heat pipe and fittings before the window, and the distance between the body and walls or other objects shall be least 50 cm (as shown in Fig. 4).

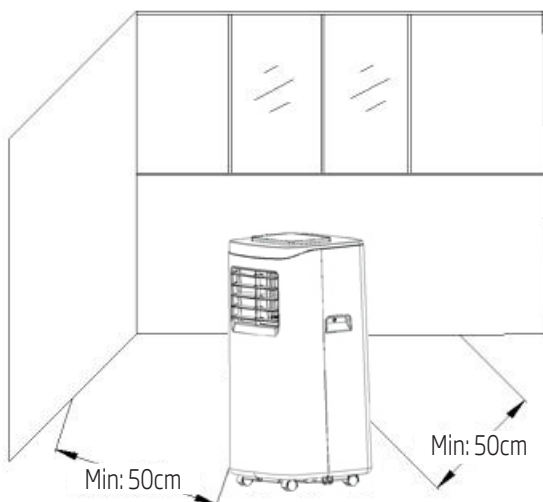


Fig. 4

- 2) Elongate the exhaust pipe and snap the flat end of the exhaust pipe joints into the hole of the window sealing plate assembly (as shown in Fig. 5 and Fig. 6).

5 Installation and adjustment

Note:



1. The flat end of the exhaust pipe joints must be snapped into place.
2. The pipe cannot be distorted nor has substantial turning (greater than 45°). Keep the ventilation of the exhaust pipe not blocked.

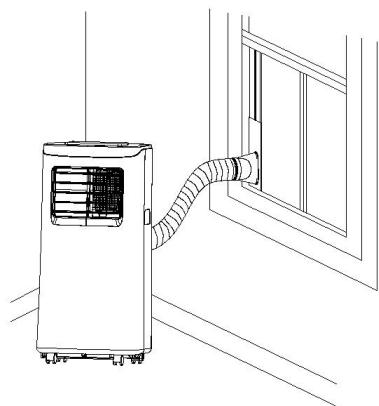


Fig. 5

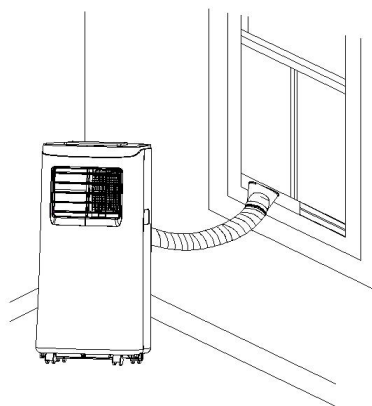


Fig. 6

Important notice:



The length of the exhaust hose shall be 280~1,500mm, and this length is based on the specifications of the air conditioning. Do not use extension tubes or replace it with other different hoses, or this may cause a malfunction. Exhaust host must be not blocked; otherwise it may cause overheating.

6 Drainage instructions

This machine has two drainage methods: manual drainage and continuous drainage.

1. Manual drainage:

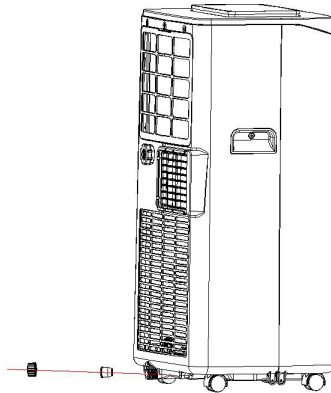
- 1) When the machine stops after the water is full, turn off the machine power and unplug the power plug.



Note: Please move the machine carefully, so as not to spill the water in the water pan at the bottom of the body.

2) Place the water container below the side water outlet behind the body.

- 3) Unscrew the drainage cover and unplug the water plug, the water will automatically flow into the water container.



Note:



1. Keep the drainage cover and the water plug properly.
2. During drainage, the body can be tilted slightly backwards.
3. If the water container cannot hold all the water, before the water container is full, stuff the water outlet with the water plug as soon as possible to prevent water from flowing to the floor or the carpet.
4. When the water is discharged, stuff the water plug, and tighten the drainage cover.

6 Drainage instructions

2. Continuous drainage , as shown in figure:

- 1) Unscrew the drainage cover, and unplug the water plug.
- 2) Set the drainage pipe into the water outlet.
- 3) Connect the drainage pipe to the bucket.

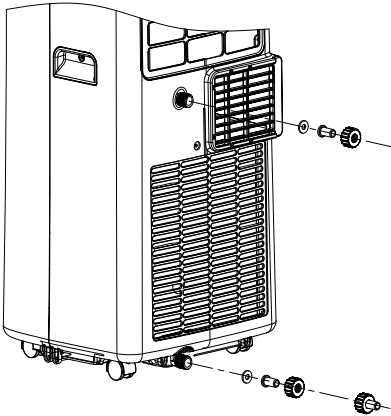


Fig.1

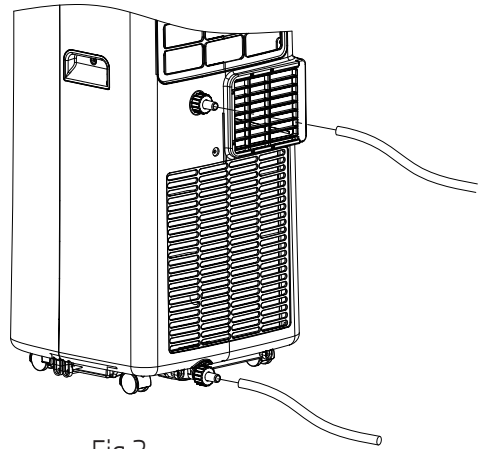


Fig.2

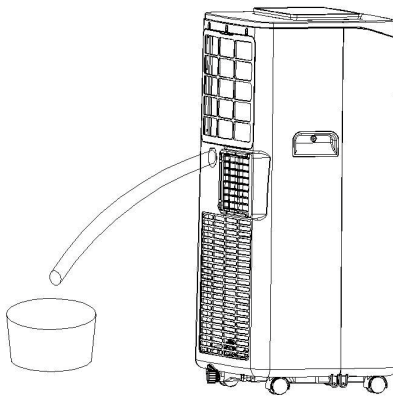


Fig.3

7 Maintenance

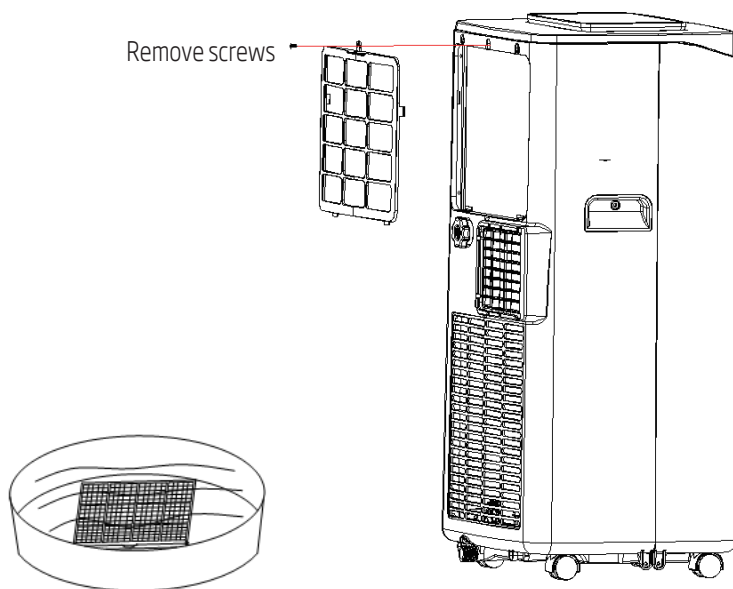
Cleaning: before cleaning and maintenance, turn off the machine and unplug the plug.

7.1 Clean the surface

Clean with surface of machine with a wet soft cloth. Don't use chemicals, such as benzene, alcohol, gasoline, etc; otherwise, the surface of the air conditioning will be damaged or even the whole machine will be damaged.

7.2 Clean the filter screen

If the filter screen is clogged with dust, and the effectiveness of the air conditioning is reduced, be sure to clean the filter screen once every two weeks.



7.3 Clean the upper filter screen frame

1. Unscrew one screw fixed by EVA filter net and back shell with screwdriver, and take out EVA filter net.
2. Put the EVA filter screen into warm water with neutral detergent (about 40°C / 104°F) and dry it in the shade after rinsing clean.

8 Unit Storage

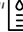
1. Unscrew the drainage cover, unplug the water plug, and discharge the water in the water pan into other water containers or directly tilt the body to discharge the water into other containers.
2. Turn on the machine, adjust it to low-wind ventilation mode, and maintain this state until the drainage pipe becomes dry, so as to keep the inside of the body in a dry state and prevent it from mildewing.
3. Turn off the machine, unplug the power plug, and wrap the power cord around the wrapping post; install the water plug and the drainage cover.
4. Remove the exhaust pipe and keep it properly.
5. Cover the air conditioning with a plastic bag. Put the air conditioning in a dry place, keep it out of the reach of children, and take dust control measures.
6. Remove batteries of the remote control and keep them properly.



Note: Ensure that the body is placed in a dry place and keep all machine components properly.

9 Troubleshooting

Do not repair or disassemble the air conditioning by yourself. Unqualified repair will lead to failure of the warranty card, and may cause damage to users or their properties.

Problems	Reasons	Solutions
The air conditioning does not work.	There is no electricity.	Turn it on after connecting it to a socket with electricity.
	The overflow indicator “  ” will flash.	Discharge the water inside.
	The ambient temperature is too low or too high	Recommend to use the machine in at the temperature of 7-35°C (44-95°F).
	In cooling mode, the room temperature is lower than the set temperature;	Change the set temperature.
	In dehumidification mode, the ambient temperature is low.	The machine is placed in a room with an ambient temperature of greater than 17°C (62°F).
The cooling effect is not good	There is direct sunlight.	Pull the Curtain.
	Doors or windows are open; there are a lot of people; or in cooling mode, there are other sources of heat.	Close doors and windows, and add new air conditioning.
	The filter screen is dirty.	Clean or replace the filter screen.
	The air inlet or outlet is blocked.	Clear obstructions.
Big noise	The air conditioning is not placed on a flat surface.	Put the air conditioning on a flat and hard place (to reduce noise).
Compressor does not work.	Overheat protection starts.	Wait for 3 minutes until the temperature is lowered, and then restart the machine.

9 Troubleshooting

Problems	Reasons	Solutions
The remote control does not work.	The distance between the machine and the remote control is too far.	Let the remote control get close to the air conditioning, and make sure that the remote control directly faces to the direction of the remote control receiver.
	The remote control is not aligned with the direction of the remote control receiver.	
	Batteries are dead.	Replace batteries.
Displays 'E1'	The room temperature sensor is abnormal.	Check the room temperature sensor and related circuitry.
Displays 'E2'.	The pipe temperature sensor is abnormal.	Check the pipe temperature sensor and related circuitry.

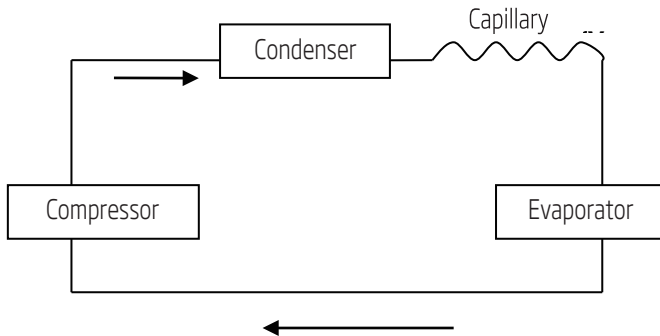


Note: If problems not listed in the table occur or recommended solutions do not work, please contact the professional service organization.

10 Addendum

Schematic diagram for air conditioning

(The specific technical parameters of the machine shall be subject to the nameplate on the product)



Treatment: Don't put the abandoned machine with other unsorted waste together. Such waste shall be placed separately for other special use.



This product complies with EU WEEE Directive (2012/19/EU). This product bears a classification symbol for waste electrical and electronic equipment (WEEE). This symbol indicates that this product shall not be disposed with other household wastes at the end of its service life. Used device must be returned to official collection point for recycling of electrical and electronic devices. To find these collection systems please contact to your local authorities or retailer where the product was purchased. Each household performs important role in recovering and recycling of old appliance. Appropriate disposal of used appliance helps prevent potential negative consequences for the environment and human health.

11 Installation instructions

11.1 F-Gas instruction

This product contains fluorinated greenhouse gases.

The fluorinated greenhouse gases are contained in hermetically sealed equipment.

Installs, services, maintains, repairs, checks for leaks or decommissions equipment and product recycling should be carried out by natural persons that hold relevant certificates.

If the system has a leakage detection system installed, leakage checks should be performed at least every 12 months, make sure system operate properly.

If product must be performed leakage checks, it should specify inspection cycle, establish and save records of leakage checks.



Note: For hermetically sealed equipment, local air conditioner, window air conditioner and dehumidifier, if CO₂ equivalent of fluorinated greenhouse gases is less than 10 tonnes, it should not perform leakage checks.

12 Specifications

Beko Model Name	BS107CN/BS107CB
Brand	Beko
Refrigerant	R290
Total Refrigerant Amount (g)	130
Climate Class	T1
Heating Type	-
Control Type	Remote Control
Cooling Capacity (Btu/h)	6500
Cooling Capacity (W)	1905
Energy Efficiency Cooling (W/W)	2.6
Energy Level-Cooling	A
Cooling Power Input (W)	732
Voltage/Frequency (V/Hz)	220-240V~50Hz
Cooling Running Current (A)	3.2
Noise Power Level (dBA) (Sound Power)	65/-/-
Air flow volume (m ³ /h)	300
Moisture removal (lt/h)	0.8
Working Temperature Range at Cooling (°C)	16-35
Unit Size (WxHxD)mm	305×678×328
Net Weight (kg)	19

1. Specification are standard values calculate based on rated operation conditions. They will vary in difference work condition.
2. Our company has quick technical improvements. There will be no prior notice for any change of technical data. Please read nameplate on the air-conditioner.
3. Rated value is tested under 35/24(In.)35/24(Out).

Manufactured by Arcelik A.S. Karaagac Cd. No:2-6 34445 Sutluce, Beyoglu, Istanbul, Turkey.

Importer in France

BEKO France / Immeuble Stadium266, Avenue du Président Wilson,93218 La Plaine Saint-Denis Cedex

Veillez d'abord lire ce manuel d'utilisation !

Chère cliente, cher client,

Nous vous remercions d'avoir acheté un produit Beko. Nous espérons que ce produit vous apportera entière satisfaction. Tous nos produits sont fabriqués dans une usine moderne et font l'objet d'un contrôle de qualité minutieux. À cet effet, veuillez lire en intégralité le présent manuel avant d'utiliser cet appareil et conservez-le soigneusement pour une utilisation ultérieure. Si vous remettez le produit à un autre utilisateur, remettez-le-lui avec le manuel de l'utilisateur. Veillez à bien respecter les consignes et les instructions figurants dans le manuel d'utilisation.

Signification des pictogrammes

Vous trouverez les symboles suivants dans ce manuel d'utilisation :

 Informations importantes et conseils utiles concernant l'utilisation de l'appareil.

 **DANGER** : Avertissement à propos des situations dangereuses qui pourraient entraîner des blessures ou des dégâts matériels.


 Avertissement relatif aux actions à ne jamais effectuer.

 Risque d'électrocution.

 Attention ! Surfaces chaudes !

 Ne pas couvrir.

 Ce symbole indique qu'il faut lire attentivement le manuel d'utilisation.

 Ce symbole indique qu'un technicien doit manipuler cet équipement en suivant les instructions du manuel d'installation.

 Ce symbole indique que cet appareil utilise un réfrigérant inflammable. Si le réfrigérant a fui et est exposé à une source d'allumage externe, il y a un risque d'incendie.

 **FR**
ÉLÉMENTS PAPIER
 **BAC DE TRI**

 **FR**
Cet appareil, ses accessoires et piles se recyclent
 **REPRISE À LA LIVRAISON**  **À DÉPOSER EN MAGASIN**  **À DÉPOSER EN DÉCHÈTERIE**



PAPIER RECYCLÉ ET RECYCLABLE

Points de collecte sur www.quefairemesdechets.fr
Privilégiez la réparation ou le don de votre appareil !

Tables des matières

1	Consignes de sécurité	40
2	Caractéristiques et composants	57
2.1	Caractéristiques	57
2.2	Composants.....	57
3	Réglage des paramètres	59
3.1	Instructions de fonctionnement du panneau de commande	59
3.2	Instructions de la télécommande	60
4	Fonction de protection	62
5	Installation et mise en place	63
5.1	Installation.....	63
6	Instructions de vidange	66
7	Entretien	68
7.1	Nettoyage de la surface	68
7.2	Nettoyage du filtre.....	68
7.3	Nettoyage du châssis du filtre supérieur	68
8	Rangement de l'appareil	69
9	Dépannage	70
10	Annexe	72
11	Instructions d'installation	73
11.1	Consignes de la F-Gaz.....	73
12	Spécifications	74

Le réfrigérant utilisé dans les climatiseurs mobiles est le R290, un gaz respectueux de l'environnement. Ce réfrigérant est inodore, et contrairement à d'autres réfrigérants, le R290 est sans ozone et a un effet très faible sur la couche d'ozone.

Veuillez lire les instructions avant d'utiliser ou de réparer l'appareil.

Les schémas fournis dans ce manuel ne sont pas forcément identiques au produit réel. Reportez-vous aux produits réels.

1 Consignes de sécurité

Avertissements :

- N'utilisez aucun moyen pour accélérer le processus de dégivrage ou pour nettoyer l'appareil autres que ceux recommandés par le fabricant.
- L'appareil doit être entreposé dans une salle sans sources d'allumage fonctionnant en continu (par exemple : des flammes nues, un appareil à gaz ou un appareil de chauffage électrique).
- Ne pas percer ni brûler.
- Sachez que les réfrigérants peuvent être inodores.
- L'appareil doit être installé, utilisé et entreposé dans une salle dont la surface est supérieure à 7 m².
- Il faut dégager l'appareil de tout obstacle afin d'assurer son bon fonctionnement et d'atténuer les risques pour la sécurité.
- L'entretien doit être réalisé conformément aux recommandations du fabricant.
- L'appareil doit être entreposé dans une salle bien aérée dont la taille correspond à la taille spécifiée pour son fonctionnement.
- Toute personne qui travaille sur un circuit de refroidissement ou l'ouvre doit être titulaire d'un certificat valable et en cours de validité délivré par une autorité d'évaluation agréée par l'industrie, attestant de sa compétence à manipuler les réfrigérants en toute sécurité, conformément à une norme d'évaluation reconnue par l'industrie.
- L'entretien doit être effectué selon les recommandations du fabricant de l'équipement. La maintenance et la réparation nécessitant l'assistance d'autres techniciens qualifiés doivent être réalisées sous la supervision de la personne compétente en utilisation de réfrigérants inflammables.
- Toute procédure opérationnelle ayant trait aux mesures de sécurité de l'appareil doit être réalisée par une personne compétente exclusivement.

1 Consignes de sécurité

Remarque :

- Le climatiseur est exclusivement destiné à un usage intérieur, il n'est pas adapté à d'autres applications.
- Respectez les règles d'interconnexion de votre réseau local lors de l'installation du climatiseur et assurez-vous que l'appareil soit correctement mis à la terre. Pour toute question à propos de l'installation électrique, suivez les instructions du fabricant, et si nécessaire, demandez à un électricien qualifié d'installer l'appareil.
- Placez l'appareil sur une surface plate et sèche en respectant une distance minimum de 50 cm entre l'appareil et les objets ou les parois environnants.
- Après avoir installé le climatiseur, assurez-vous que la prise d'alimentation est intacte et fermement branchée dans la prise murale, puis disposez le cordon d'alimentation de manière à éviter qu'une personne trébuche ou le débranche par inadvertance.
- Ne placez aucun objet dans l'entrée ou la sortie d'air du climatiseur. Gardez l'entrée et la sortie d'air libre de toute obstruction.
- Lorsque les tuyaux de vidange sont installés, assurez-vous qu'ils soient correctement branchés et qu'ils ne sont pas tordus ou pliés.
- Pour ajuster et retirer les événements supérieurs et inférieurs de la sortie d'air, saisissez-les délicatement pour éviter de les endommager.



Remarque :

- Lors du déplacement de l'appareil, veillez à ce qu'il reste debout.
- L'appareil doit être maintenu à distance de tout carburant, gaz inflammable, four et autres sources de chaleur.
- Ne tentez pas de démonter, rénover ou modifier l'appareil de manière hasardeuse, car cela pourrait causer un dysfonctionnement de l'appareil, voire mettre en danger les biens matériels ou les personnes. Pour éviter tout danger, en cas de défaillance de l'appareil, sollicitez l'aide du fabricant ou d'un professionnel pour le réparer.
- Ne pas installer ou utiliser le climatiseur dans une salle de bains ou dans un autre endroit humide.
- Ne débranchez pas la prise pour éteindre l'appareil.
- Pour éviter tout déversement d'eau ou d'un autre liquide dans le climatiseur, veillez à ne placer aucun verre ou autre contenant sur l'appareil.
- N'utilisez pas d'insecticide en aérosol ou d'autres substances inflammables à proximité du climatiseur.
- Ne tentez pas d'essuyer ou de laver le climatiseur à l'aide de solvants chimiques tels que de l'essence ou de l'alcool. Lorsque vous souhaitez nettoyer le climatiseur, débranchez l'alimentation puis nettoyez l'appareil avec un chiffon doux semi-humide. Si l'appareil est particulièrement sale, frottez-le à l'aide d'un détergent doux.



Remarque :

- Cet appareil peut être utilisé par des enfants âgés d'au moins 8 ans et par des personnes ayant des capacités physiques, sensorielles ou mentales réduites ou dénuées d'expérience ou de connaissance, s'ils (si elles) sont correctement surveillé(es) ou si des instructions relatives à l'utilisation de l'appareil en toute sécurité leur ont été données et si les risques encourus ont été appréhendés. Les enfants ne doivent pas jouer avec l'appareil. Le nettoyage et l'entretien par l'utilisateur doivent pas être effectués par des enfants sans surveillance.
- Si le cordon d'alimentation est endommagé, il doit être remplacé par le constructeur, une personne mandatée pour faire le SAV ou toute autre personne qualifiée afin d'éviter toute mise en danger.
- Cet appareil doit être installé conformément aux réglementations nationales en matière de câblage.
- Ne faites pas fonctionner votre climatiseur dans un local humide tel qu'une salle de bain ou une buanderie.
- Il faut surveiller les enfants afin que ces derniers ne jouent pas avec l'appareil.



1 Consignes de sécurité



- Avertissement : N'utilisez aucun moyen pour accélérer le processus de dégivrage ou pour nettoyer l'appareil autres que ceux recommandés par le fabricant. L'appareil doit être conservé dans une pièce sans sources d'allumage en fonctionnement continu (par exemple : flammes nues, appareil à gaz ou radiateur électrique en fonctionnement.) Ne pas percer ni brûler. Sachez que les réfrigérants peuvent être inodores.
- L'appareil indiquera l'isolement d'un disjoncteur différentiel à courant résiduel nominal ne dépassant pas 30 mA.
- Cet appareil est destiné à un usage domestique et n'est pas destiné aux utilisations suivantes :
 - coin cuisine dédié aux employés dans une boutique, un bureau et tout autre environnement de travail ;
 - fermes ;
 - clients d'hôtels, motels et autres environnements de type résidentiel ;
 - environnements de type bed-and-breakfast ;

Transport, marquage et entreposage des unités

- Transport d'équipements contenant des réfrigérants inflammables
Conformité avec la réglementation de transport
- Marquage de l'équipement avec des panneaux
Conformité avec la réglementation nationale

1 Consignes de sécurité

- Mise au rebut d'un équipement utilisant des réfrigérants inflammables
Conformité avec la réglementation nationale
- Entreposage d'équipements/appareils
L'entreposage d'équipements doit être conforme aux indications du constructeur.
- Entreposage d'équipements emballés (non vendus)
Une protection de l'emballage d'entreposage doit être réalisée de façon à ce que des dommages mécaniques à l'équipement situé à l'intérieur de l'emballage ne cause pas une fuite de la charge de réfrigérant.
Le nombre de pièces maximum de l'équipement autorisé à être entreposé ensemble sera déterminé par la réglementation locale.

1. Informations sur l'entretien

1) Vérifications dans la zone

Avant de commencer un travail sur des systèmes contenant des réfrigérants inflammables, il faut faire des vérifications de sécurité afin de s'assurer que le risque d'allumage est réduit au minimum. Pour une réparation du système de réfrigérant, il faut prendre les précautions suivantes avant de procéder à un travail sur le système.

2) Procédure de travail

Les travaux doivent être entrepris dans le cadre d'une procédure contrôlée afin de réduire au minimum le risque que des gaz ou des vapeurs inflammables soient encore présents pendant que le travail est effectué.

1 Consignes de sécurité

3) Zone de travail générale

Tout le personnel de maintenance et les autres personnes travaillant dans la zone locale doivent avoir reçu des instructions sur la nature du travail réalisé. Évitez de travailler dans des espaces confinés. La zone autour de l'espace de travail doit être délimitée. Vérifiez que les conditions à l'intérieur de cette zone ont été sécurisées par contrôle de matériaux inflammables.

4) Vérification de la présence de réfrigérant

La zone doit être vérifiée avec un détecteur de réfrigérant approprié avant et pendant le travail, afin que le technicien soit assuré d'être conscient d'atmosphères potentiellement inflammables. Assurez-vous que le matériel utilisé pour détecter les fuites convient à une utilisation avec des réfrigérants inflammables, c'est-à-dire sans étincelles, étanchéifié de façon adéquate ou intrinsèquement sûr.

5) Présence d'un extincteur d'incendie

Si un travail à chaud est mené sur l'équipement de réfrigération ou des pièces associées, un équipement d'extinction d'incendie approprié doit être à portée de main. Vous devez avoir un extincteur à poudre ou à CO₂ adjacent à la zone de chargement.

6) Pas de sources d'allumage

Personne n'effectuant un travail lié à un système de réfrigération impliquant l'exposition de tuyauterie contenant ou ayant contenu un réfrigérant inflammable ne doit utiliser de sources d'allumage de façon à ce que cela puisse provoquer un risque d'incendie ou d'explosion. Toutes les sources d'allumage possibles, y compris la fumée de cigarette, doivent rester à une distance suffisante du

1 Consignes de sécurité

site d'installation, de réparation, d'enlèvement et de mise au rebut, durant lesquels un réfrigérant inflammable peut potentiellement être libéré dans l'espace environnant. Avant le début du travail, la zone autour de l'équipement doit être étudiée pour s'assurer qu'il n'y a pas de danger inflammable ni de risque d'allumage. Des pancartes « Interdiction de fumer » doivent être installées.

7) Zone aérée

Vérifiez que la zone est en plein air ou aérée correctement avant d'ouvrir le système ou d'effectuer un travail à chaud. Un certain niveau d'aération doit se poursuivre pendant la réalisation du travail. La ventilation doit disperser en toute sécurité tout réfrigérant libéré et de préférence l'expulser de façon externe dans l'atmosphère.

8) Vérifications sur l'équipement de réfrigération

Si des composants électriques sont en cours de changement, ils doivent convenir à cet usage et à la bonne spécification. Les instructions de maintenance et d'entretien du fabricant doivent toujours être suivies. En cas de doute, adressez-vous au service technique du fabricant.

Les vérifications suivantes doivent être appliquées aux installations utilisant des réfrigérants inflammables :

- La taille de charge dépend de la taille de la salle dans laquelle les pièces contenant du réfrigérant sont installées ;
- La machinerie et les sorties de ventilation fonctionnent de façon adéquate et ne sont pas obstruées ;
- Si un circuit de refroidissement indirect est utilisé, la présence de réfrigérant sera recherchée au niveau du circuit secondaire ;

1 Consignes de sécurité

- Le marquage apposé sur l'équipement doit rester visible et lisible. Corrigez le marquage et les panneaux illisibles ;
- Le tuyau de réfrigération ou les composants du système sont installés dans une position où ils sont susceptibles d'être exposés à des substances pouvant corroder les composants qui contiennent du réfrigérant, sauf si les composants sont constitués de matériaux résistants à la corrosion ou correctement protégés contre la corrosion.

9) Vérifications sur les dispositifs électriques

Les réparations et la maintenance des composants électriques doivent inclure des vérifications de sécurité initiales et des procédures d'inspection des composants. S'il y a une défaillance pouvant compromettre la sécurité, alors aucune alimentation électrique ne doit être raccordée au circuit tant que ce problème n'est pas résolu de façon satisfaisante. Si le défaut ne peut pas être corrigé dans l'immédiat mais qu'il faut continuer les opérations, une solution adaptée sera utilisée provisoirement. Cela doit être signalé au propriétaire de l'équipement de façon à ce que toutes les parties soient informées.

Initialement, il faut vérifier pour des raisons de sécurité :

- que les condensateurs sont déchargés : cela doit être fait de manière sûre afin d'éviter la possibilité d'étincelles
- qu'aucun composant ou câble électriques sous tension ne sont exposés pendant la charge, la récupération ou la purge du système ;
- qu'il n'y a pas de continuité de la liaison à la terre.

1 Consignes de sécurité

2.Réparations sur les composants hermétiques

- 1) Lors des réparations de composants hermétiques, toutes les alimentations électriques doivent être déconnectées de l'équipement sur lequel les techniciens travaillent avant le démontage de couvercles hermétiques, etc. Étant donné qu'il faut absolument avoir une alimentation électrique sur l'équipement durant l'entretien, une forme opérationnelle permanente de détection de fuite doit être située au point le plus critique pour signaler une situation potentiellement dangereuse.
- 2) Soyez particulièrement attentif à ce qui suit pour s'assurer qu'un travail sur des composants électriques n'altérerait pas le boîtier d'une façon qui affecterait le niveau de protection.

Cela doit inclure des dommages aux câbles, un nombre excessif de connexions, des bornes qui ne sont pas faites selon la spécification d'origine, des dommages aux joints, une fixation incorrecte des presse-étoupes, etc.

Vérifiez que cet appareillage est monté fermement.

Vérifiez que les joints ou les matériaux isolants ne se sont pas dégradés à un tel point qu'ils ne servent plus à empêcher la pénétration d'atmosphères inflammables. Les pièces de rechange doivent être conformes aux spécifications du fabricant.



Remarque : L'utilisation de produit d'étanchéité en silicone peut inhiber l'efficacité de certains types de matériel de détection des fuites. Les composants intrinsèquement sûrs n'ont pas besoin d'être isolés avant que quelqu'un travaille dessus.

1 Consignes de sécurité

3.Réparation des composants de sécurité intrinsèque

N'appliquez pas de charges inductives ou capacitives permanentes au circuit sans vous assurer que cela ne dépassera pas la tension permise et l'intensité permise pour l'équipement en utilisation.

Les composants intrinsèquement sûrs sont les seuls types sur lesquels quelqu'un peut travailler quand ils sont sous tension en présence d'une atmosphère inflammable. L'appareillage d'essai doit avoir les bonnes caractéristiques nominales.

Remplacez les composants uniquement par des pièces spécifiées par le fabricant. D'autres pièces peuvent provoquer l'allumage du réfrigérant dans l'atmosphère à partir d'une fuite.

4.Câblage

Vérifiez que le câblage ne sera pas sujet à l'usure, la corrosion, une pression excessive, des vibrations, des bords coupants ou d'autres intempéries. La vérification doit également prendre en compte les effets du vieillissement ou des vibrations constantes de sources telles que des compresseurs ou des ventilateurs.

5.Détection de réfrigérants inflammables

Sous aucun prétexte, des sources d'allumage potentielles ne doivent être utilisées dans la recherche ou pour la détection de fuites de réfrigérant. N'utilisez pas une lampe haloïde (ou un autre détecteur utilisant une flamme nue).

6.Méthodes de détection des fuites

Les méthodes de détection de fuite suivantes sont jugées acceptables pour des systèmes contenant des réfrigérants inflammables.

1 Consignes de sécurité

Des dispositifs électroniques de détection de fuite seront utilisés pour détecter les réfrigérants inflammables, toutefois la sensibilité de l'appareil pourrait ne pas être adaptée, ou il faudrait éventuellement réétalonner l'appareil. (L'équipement de détection sera étalonné dans une zone exempte de réfrigérant.) Assurez-vous que le détecteur n'est pas une source potentielle d'inflammation et qu'il est adapté au type de réfrigérant utilisé. Le matériel de détection de fuite doit être réglé à un pourcentage du LFL du réfrigérant et doit être étalonné selon le réfrigérant employé et le pourcentage approprié de gaz (25 % maximum) est confirmé.

Des liquides de détection de fuite conviennent à une utilisation avec la plupart des réfrigérants, mais il faut éviter d'utiliser de détergents contenant du chlorure, car le chlorure peut réagir avec le réfrigérant et corroder la tuyauterie en cuivre.

En cas de suspicion de fuite, toutes les flammes nues doivent être éliminées/éteintes. Si une fuite de réfrigérant est décelée et nécessite un brasage, tout le réfrigérant doit être récupéré hors du système, ou isolé (par des vannes d'arrêt) dans une partie du système loin de la fuite. De l'azote exempt d'oxygène (OFN) doit ensuite être utilisé pour purger le système avant et pendant le procédé de brasage.

7. Enlèvement et évacuation

Lorsque vous ouvrez le circuit de réfrigérant pour effectuer des réparations - ou pour toute autre raison - les procédures conventionnelles doivent être appliquées. Il est néanmoins important de suivre les bonnes pratiques étant donné que l'inflammabilité est à prendre en compte. Observez la procédure suivante :

1 Consignes de sécurité

- enlever le réfrigérant ;
- purger le circuit avec du gaz inerte ;
- évacuer ;
- purger à nouveau avec du gaz inerte ;
- ouvrir le circuit par coupe ou brasage.

La charge de réfrigérant doit être recouverte dans les bonnes bouteilles de récupération. Le système doit être rincé avec de l'azote exempt d'oxygène pour rendre l'unité sûre. Ce procédé devra peut-être être répété plusieurs fois. N'utilisez pas d'oxygène ni d'air comprimé pour cette tâche.

Le rinçage doit être accompli en rompant le vide dans le système avec de l'azote exempt d'oxygène et en continuant de remplir jusqu'à atteindre la pression opérationnelle, puis en éventant à l'atmosphère, et enfin en créant un vide. Ce procédé doit être répété jusqu'à ce qu'il ne reste plus de réfrigérant dans le système. Quand la charge finale d'azote exempt d'oxygène est utilisée, le système doit être aéré à la pression atmosphérique pour permettre la réalisation du travail. Cette opération est absolument vitale s'il faut effectuer des opérations de brasage de la tuyauterie.

Vérifiez que la sortie pour la pompe à vide n'est pas fermée pour aucune source d'allumage et vérifiez si une ventilation est disponible.

8. Procédure de chargement

En plus des procédures de chargement conventionnelles, les exigences suivantes doivent être suivies :

1 Consignes de sécurité

- Vérifiez que la contamination des différents réfrigérants ne se produit pas lors de l'utilisation d'équipement de chargement. Les tuyaux ou les lignes doivent être aussi courtes que possible afin de réduire au minimum la quantité de réfrigérant qu'elles contiennent.
- Les bouteilles doivent rester debout.
- Vérifiez que le système de réfrigération est mis à la terre avant de charger le système avec du réfrigérant.
- Étiquetez le système lorsque le chargement est terminé (si ce n'est pas déjà fait).
- Soyez extrêmement prudent pour que le système de réfrigération ne déborde pas.

Avant de recharger le système, testez sa pression avec de l'azote exempt d'oxygène. Faites un essai d'étanchéité sur le système à la fin du chargement et avant la mise en service. Un essai d'étanchéité de suivi doit être effectué avant de quitter le site.

9. Mise hors service

Avant d'effectuer cette procédure, il est essentiel que le technicien soit complètement familiarisé avec l'équipement et tous ses détails. Il est recommandé et de bonne pratique de récupérer tous les réfrigérants en toute sécurité. Avant de réaliser l'opération, un échantillon d'huile et de réfrigérant sera prélevé lorsqu'une analyse est requise avant de réutiliser le réfrigérant récupéré. Il est essentiel qu'une alimentation électrique soit disponible avant de commencer la tâche.

1) Familiarisez-vous avec l'équipement et son fonctionnement.

1 Consignes de sécurité

- 2) Isolez le système électriquement
- 3) Avant d'entreprendre la procédure, vérifiez que :
 - Un matériel de maintenance mécanique est disponible, si nécessaire, pour manipuler les bouteilles de réfrigérant ;
 - Tous les équipements de protection individuelle sont disponibles et utilisés correctement ;
 - Le procédé de récupération est supervisé en permanence par une personne compétente ;
 - Le matériel de récupération et les bouteilles sont conformes aux normes appropriées.
- 4) Videz le réfrigérant du système par pompage, si possible.
- 5) Si une aspiration n'est pas possible, faites un collecteur afin de pouvoir enlever le réfrigérant de diverses pièces du système.
- 6) Vérifiez que la bouteille se situe sur la balance avant de commencer la récupération.
- 7) Démarrez la machine de récupération et utilisez-la conformément aux instructions du fabricant.
- 8) Ne remplissez pas excessivement les bouteilles. (Pas plus de 80 % du volume de chargement de liquide).
- 9) Ne dépassez pas la pression opérationnelle maximale de la bouteille, même temporairement.
- 10) Une fois que les bouteilles sont remplies correctement et que le procédé est terminé, vérifiez que les bouteilles et l'équipement sont enlevés du site rapidement et que toutes les vannes d'isolement sur l'équipement sont fermées.

1 Consignes de sécurité

11) Le réfrigérant récupéré ne doit pas être chargé dans un autre système de réfrigération, à moins qu'il n'ait été nettoyé et inspecté.

10.Étiquetage

L'équipement doit être étiqueté en énonçant qu'il a été mis hors service et vidé de son réfrigérant. L'étiquette doit être datée et signée. Vérifiez qu'il y a des étiquettes sur l'équipement qui énoncent que l'équipement contient un réfrigérant inflammable.

11.Récupération

En enlevant le réfrigérant d'un système, soit pour l'entretien soit pour la mise hors service, il est recommandé et de bonne pratique que tous les réfrigérants soient enlevés en toute sécurité.

En transférant du réfrigérant dans des bouteilles, vérifiez que seules des bouteilles de récupération de réfrigérant appropriées sont employées. Vérifiez que le bon nombre de bouteilles pour contenir la charge totale du système sont disponibles. Toutes les bouteilles à utiliser sont conçues pour le réfrigérant récupéré et étiquetées pour ce réfrigérant (c'est-à-dire des bouteilles spéciales pour la récupération de réfrigérant). Les bouteilles doivent être complètes avec un clapet de décharge et des vannes d'isolement associées en bon état de marche. Les bouteilles de récupération vides sont évacuées et, si possible, refroidies avant une opération de récupération.

Le matériel de récupération doit être en bon état de marche avec un ensemble d'instructions concernant l'équipement qui est à portée de main et doit convenir à la récupération de réfrigérants

1 Consignes de sécurité

inflammables. De plus, un ensemble de balances étalonnées doit être disponible et en bon état de marche. Les tuyaux doivent être complets avec des raccords sans fuite et en bon état. Avant d'utiliser la machine de récupération, vérifiez qu'elle est dans un état de marche satisfaisant, qu'elle a été correctement entretenue et que tous les composants électriques associés sont étanchéifiés afin de prévenir l'allumage en cas de libération du réfrigérant. Consultez le fabricant en cas de doute.

Le réfrigérant récupéré doit être retourné au fournisseur de réfrigérant dans la bonne bouteille de récupération, et le bordereau de transfert des déchets approprié arrangé. Ne mélangez pas des réfrigérants dans des unités de récupération et surtout pas dans des bouteilles.

Si des compresseurs ou des huiles de compresseur doivent être enlevés, assurez-vous qu'ils ont été évacués à un niveau acceptable pour être certain qu'un réfrigérant inflammable ne reste pas dans le lubrifiant. Le procédé d'évacuation doit être effectué avant de retourner le compresseur aux fournisseurs. Seul un chauffage électrique pour le compresseur doit être employé pour accélérer le procédé. Quand de l'huile est drainée hors d'un système, cela doit être réalisé en toute sécurité.

Paramètres des fusibles de l'appareil

Type : 5ET ou SMT

Tension : 250 V

Courant : 3,15 A

2 Caractéristiques et composants

2.1 Caractéristiques

Apparence totalement nouvelle, structure compacte, ligne épurée.

Offre les fonctions de climatisation, ventilation et fonction déshumidificateur.

L'interface extérieure est disposée en hauteur pour faciliter le montage et préserver un flux homogène dans le tuyau de chauffe.

Superbe panneau d'affichage avec voyants lumineux et télécommande facile à utiliser.

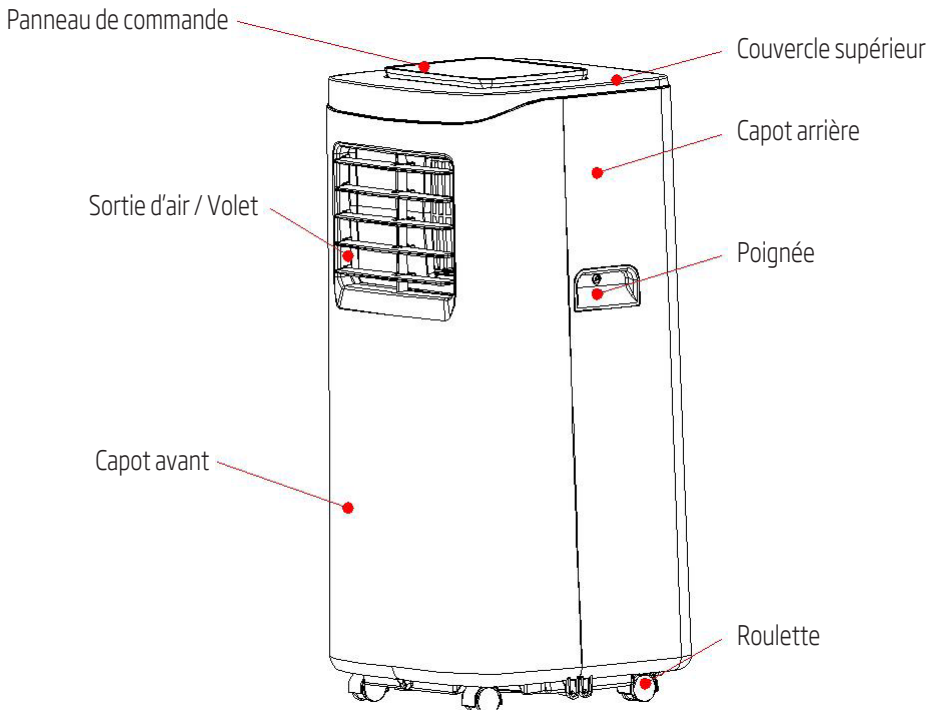
Capacité de filtration de l'air.

Fonction de minuterie.

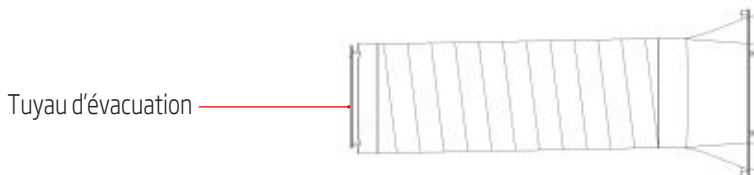
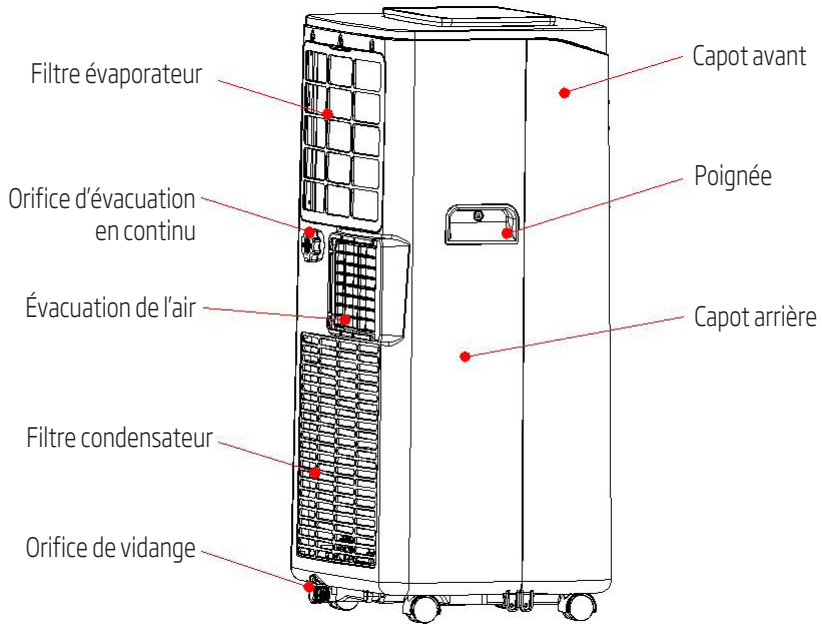
Fonction de protection qui redémarre automatiquement le compresseur après trois minutes, d'autres fonctions de protection sont disponibles.

Température de fonctionnement maximale pour la fonction climatisation : 35/24 °C ; chauffage : 20/12 °C ; plage de température en fonctionnement : 7-35 °C.

2.2 Composants



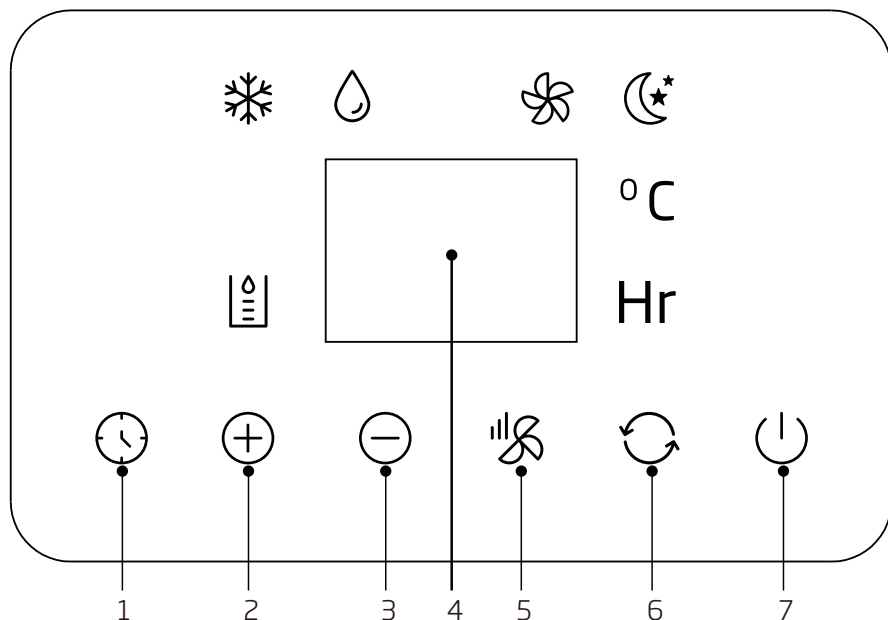
2 Caractéristiques et composants



3 Réglage des paramètres

3.1 Instructions de fonctionnement du panneau de commande

Interface de fonctionnement



1. Touche Timer (Minuteur)
2. Touche Up (Haut)
3. Touche Down (Bas)
4. Fenêtre d'affichage
5. Touche de sélection de la vitesse de ventilateur
6. Touche de sélection du mode
7. Touche Power (Marche/Arrêt)

1. Lorsque l'appareil est allumé pour la première fois, vous entendrez la tonalité de démarrage, puis l'appareil se mettra en veille.
2. **Touche Marche/Arrêt** : appuyez sur cette touche pour allumer et éteindre l'appareil. Lorsque l'appareil est allumé, appuyez sur cette touche pour éteindre l'appareil ; si l'appareil est éteint, appuyez sur cette touche pour allumer l'appareil.
3. **Touche de Sélection du mode** : Lorsque l'appareil est allumé, appuyez sur cette touche pour commuter entre les modes Cooling (Refroidissement) → Fan (Ventilation) → Dehumidifying (Déshumidification).
4. **Touche Haut et touche Bas** : appuyez sur ces deux touches pour modifier le réglage de la température ou de la minuterie en procédant comme suit :

Pour régler la température, appuyez sur la touche Haut ou Bas afin de sélectionner la température souhaitée (cette fonction n'est pas disponible dans les modes ventilation ou déshumidification).

3 Réglage des paramètres

Pour régler la minuterie, appuyez sur la touche Haut ou Bas afin de sélectionner la durée souhaitée.

5. Touche de Sélection de la vitesse de ventilation :

En mode refroidissement et ventilation, appuyez sur cette touche pour sélectionner une vitesse de ventilation élevée ou faible. Dans certaines conditions, il est possible que l'appareil ne fonctionne pas de manière conforme à la vitesse de ventilation réglée.

En mode déshumidification, cette touche est invalide, le ventilateur fonctionnera automatiquement à la vitesse de ventilation faible.

6. Touche de Minuterie :

Lorsque l'appareil est allumé, appuyez sur cette touche pour désactiver la minuterie ; si l'appareil est éteint, appuyez sur cette touche pour activer la minuterie.

Appuyez sur la touche, puis lorsque le symbole de minuterie clignote, appuyez sur les touches Haut et Bas afin de sélectionner la durée désirée.

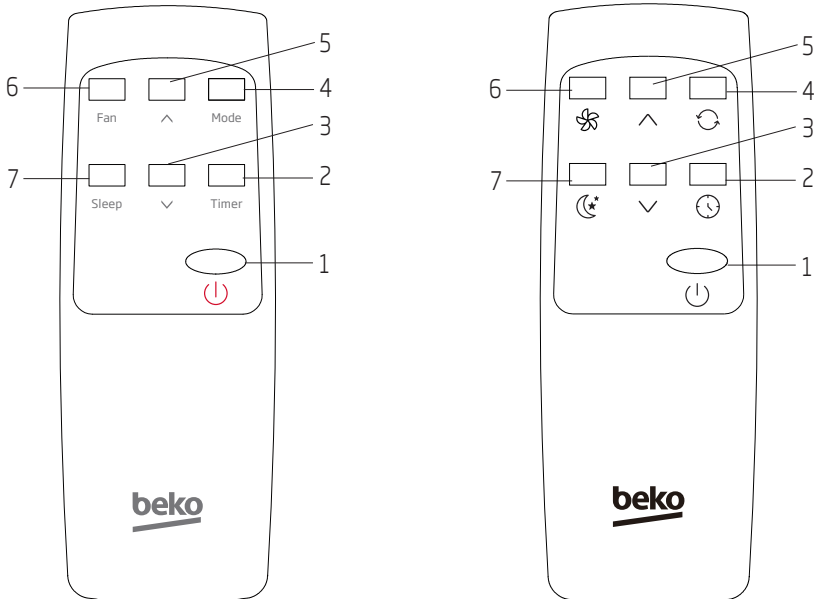
La durée peut être réglée entre 1 et 24 heures, la valeur de la minuterie est ajustée à la hausse ou à la baisse par incréments d'une heure.

7. Mode Sleep (sommeil) :

En mode refroidissement, appuyez sur la touche Haut et Ventilation pour activer le mode Sommeil, l'appareil fonctionnera alors de manière silencieuse en mode Économie d'énergie.








3.2 Instructions de la télécommande

La télécommande se présente ainsi :



3 Réglage des paramètres

Instructions de fonctionnement de la télécommande :

1. Touche Power (Marche/Arrêt) : Appuyez sur la touche  pour allumer ou éteindre l'appareil.
2. Minuterie : appuyez sur la touche  pour régler la minuterie.
3. Bas : appuyez sur la touche  pour réduire la température et la durée souhaitée.
4. Mode : appuyez sur la touche  pour commuter entre les modes refroidissement, ventilation et déshumidification.
5. Haut : appuyez sur la touche  pour augmenter la température et la durée souhaitée.
6. Ventilation : appuyez sur la touche  pour sélectionner la vitesse de ventilation élevée ou faible.
7. Mode Sleep (Sommeil) : Appuyez sur la touche  pour activer le mode Sommeil.

4 Fonction de protection

1. Fonction de protection contre le gel

En mode refroidissement, déshumidification ou économie d'énergie, si la température du tuyau d'évacuation est trop basse, l'appareil sera automatiquement dans un état de protection ; si la température du tuyau d'évacuation augmente jusqu'à une certaine température, l'appareil pourra automatiquement reprendre son fonctionnement normal.

2. Fonction de protection anti-débordement

Lorsque le niveau d'eau du réservoir dépasse le seuil d'avertissement, l'appareil émet automatiquement une alarme, et le voyant « Plein » clignote. Dans ce cas, vous devez déplacer le tuyau de vidange reliant l'appareil ou la sortie d'eau à l'égout ou à toute autre évacuation afin de vider l'eau (pour les détails, consultez les *instructions de vidange* à la fin de ce chapitre). Une fois l'eau vidée, l'appareil revient automatiquement à son état d'origine.

3. Dégivrage automatique (les modèles avec pompe à chaleur disposent de cette fonction).

L'appareil est doté d'une fonction de dégivrage automatique. Le dégivrage peut être actionné en inversant la vanne à quatre voies.

4. Fonction de protection du compresseur

Pour augmenter la durée de vie utile du compresseur, celui-ci est doté d'une fonction de protection au démarrage avec un délai de 3 minutes après l'arrêt du compresseur.

5 Installation et mise en place

5.1 Installation



Avertissement : avant d'utiliser le climatiseur mobile, laissez-le reposer en position verticale pendant au moins deux heures.

Le climatiseur est facile à déplacer dans une pièce. Pendant le déplacement de l'appareil, assurez-vous qu'il reste parfaitement à la verticale, il doit être placé sur une surface plane. Ne pas installer ou utiliser le climatiseur dans une salle de bains ou dans un autre endroit humide.

1. Installez le tuyau d'évacuation (comme illustré dans la Fig. 1)

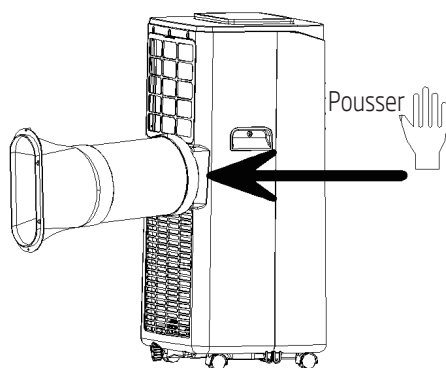


Fig. 1

- 1) Retirez l'ensemble du connecteur extérieur et l'ensemble du tuyau d'évacuation, ainsi que les sachets en plastique ;
- 2) Insérez l'ensemble du tuyau d'évacuation (l'extrémité du joint d'évacuation) dans la fente de l'évent sur la paroi arrière (poussez vers la gauche) et terminez le montage (comme illustré dans la Fig. 1).
2. Installation des différents éléments de l'ensemble de plaque pour fenêtre coulissante
 - 1) Entrouvrez la fenêtre et installez l'ensemble de plaque pour fenêtre sur la fenêtre coulissante (comme illustré dans les Fig. 2 et Fig. 3). Les éléments peuvent être positionnés à l'horizontale ou à la verticale.
 - 2) Déployez les différents éléments de l'ensemble de plaque sur la fenêtre coulissante, ajustez le niveau d'ouverture du dispositif de sorte que les deux extrémités de l'ensemble soient au contact de l'encadrement de la fenêtre, et fixez les différents éléments de l'ensemble.

5 Installation et mise en place

Remarque :



1. L'extrémité plate des raccords du tuyau d'évacuation doit être emboîtée.
2. Le tuyau ne doit pas être tordu ou présenter un rayon de courbure excessif (supérieur à 45°). Veillez à ne jamais obstruer le tuyau d'évacuation.

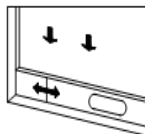


Fig. 2

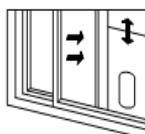


Fig. 3

3. Installez l'appareil

- 1) Déplacez l'appareil, muni de son tuyau d'évacuation et des raccords, pour l'installer devant la fenêtre, en respectant une distance d'au moins 50 cm entre l'appareil et les murs ou tout autre objet (comme illustré dans la Fig. 4).

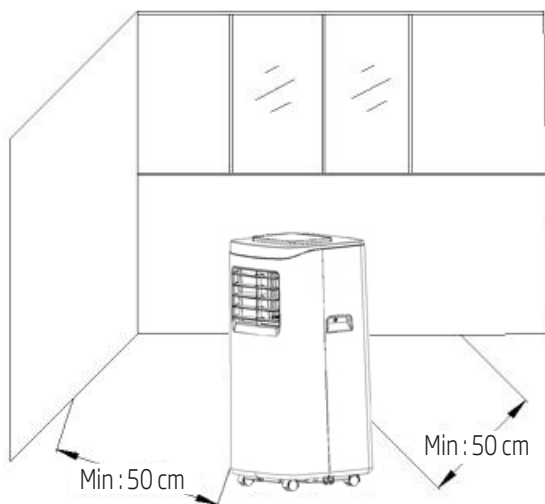


Fig. 4

- 2) Déployez le tuyau d'évacuation et emboîtez l'extrémité plate des raccords du tuyau d'évacuation dans l'orifice de l'ensemble de plaque sur la fenêtre coulissante (comme illustré dans la Fig. 5 et la Fig. 6).

5 Installation et mise en place

Remarque :



1. L'extrémité plate des raccords du tuyau d'évacuation doit être emboîtée.
2. Le tuyau ne doit pas être tordu ou présenter un rayon de courbure excessif (supérieur à 45°). Veillez à ne jamais obstruer le tuyau d'évacuation.

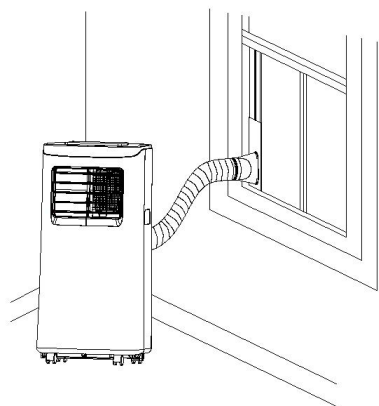


Fig. 5

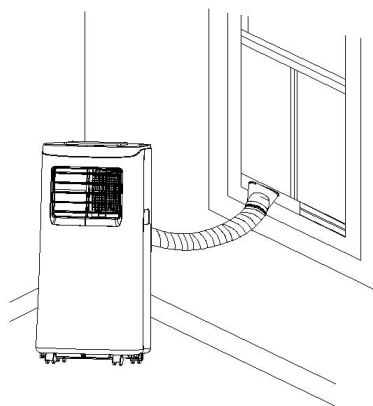


Fig. 6

Remarques importantes :



La longueur du tuyau d'évacuation doit être comprise entre 28 et 150 cm, en fonction des spécifications du climatiseur. N'utilisez pas de tuyaux de rallonge et ne remplacez pas le tuyau d'origine par d'autres tuyaux, car cela pourrait entraîner un dysfonctionnement de l'appareil. Le tuyau d'évacuation ne doit pas être obstrué, car cela pourrait provoquer une surchauffe.

6 Instructions de vidange

Cet appareil offre deux méthodes d'évacuation : évacuation manuelle et évacuation continue.

1. Vidange manuelle :

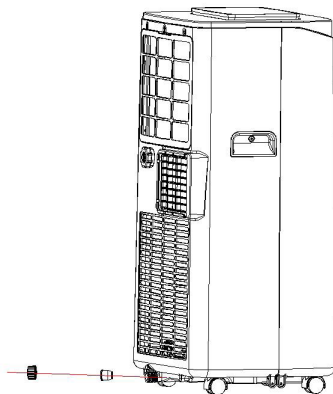
1) Lorsque l'appareil s'arrête car le réservoir contient trop d'eau, éteignez l'appareil et débranchez la prise d'alimentation.



Remarque : Déplacez l'appareil avec précaution, de manière à ne pas renverser l'eau contenue dans le réservoir au fond de l'appareil.

2) Placez un récipient d'eau sous la sortie d'eau latérale, derrière l'appareil.

3) Dévissez le cache de vidange et retirez le bouchon d'eau, l'eau s'écoule automatiquement dans le récipient d'eau.



Remarque :

1. Conservez en lieu sûr le cache de l'orifice de vidange et le bouchon d'eau.
2. Pour faciliter la vidange, il est possible de légèrement incliner l'appareil en arrière.
3. Si le récipient d'eau ne suffit pas à recueillir toute l'eau, bouchez la sortie d'eau à l'aide du bouchon d'eau dès que possible avant que l'eau déborde du récipient et se déverse sur le sol ou sur la moquette.
4. Lorsque l'eau a été évacuée, réinstallez le bouchon d'eau et serrez le cache sur l'orifice de vidange.



6 Instructions de vidange

2. Vidange continue, comme illustré dans la figure :

- 1) Dévissez le cache de vidange et retirez le bouchon d'eau.
- 2) Installez le tuyau de vidange dans la sortie d'eau.
- 3) Installez l'autre extrémité du tuyau de vidange au-dessus du seau.

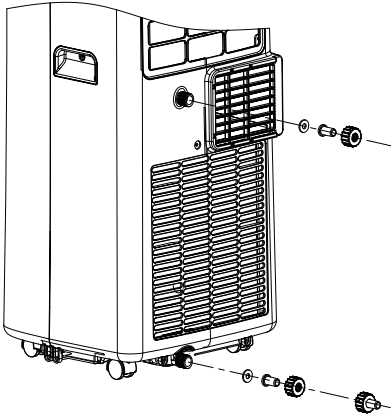


Fig.1

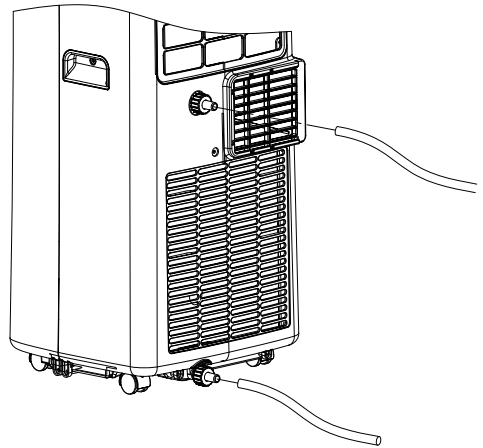


Fig.2

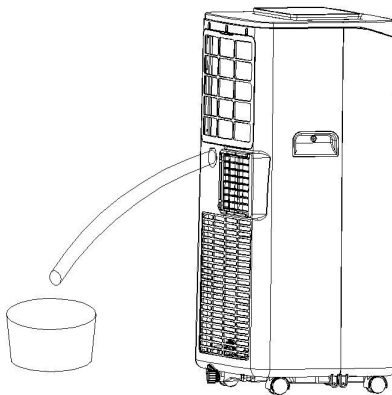


Fig.3

7 Entretien

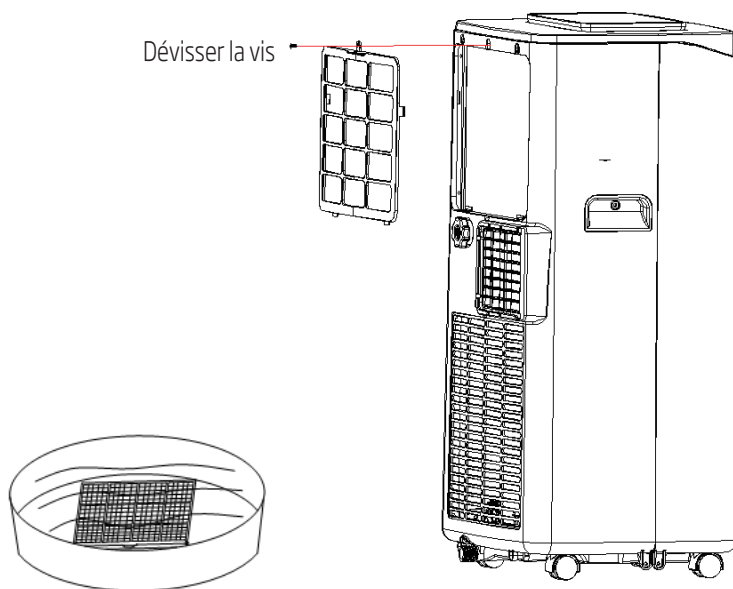
Nettoyage : avant toute opération de nettoyage et d'entretien, éteignez l'appareil et débranchez la prise.

7.1 Nettoyage de la surface

Nettoyez la surface de l'appareil à l'aide d'un chiffon doux et humide. N'utilisez pas de produits chimiques, comme du benzène, de l'alcool, de l'essence, etc. ; cela risquerait d'endommager la surface extérieure de l'appareil, voire l'ensemble du climatiseur.

7.2 Nettoyage du filtre

Si le filtre est obstrué par de la poussière, et que l'efficacité du climatiseur s'en trouve réduite, pensez à nettoyer le filtre toutes les deux semaines.



7.3 Nettoyage du châssis du filtre supérieur

1. Dévissez une vis fixant le filtre évaporateur sur la paroi arrière à l'aide d'un tournevis, et retirez le filtre évaporateur.
2. Immergez le filtre évaporateur dans de l'eau chaude avec un détergent neutre (environ 40 °C / 104 °F) puis rincez-le et laissez-le sécher à l'ombre.

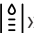
8 Rangement de l'appareil

1. Dévissez le cache de vidange, retirez le bouchon d'eau et vidangez l'eau du réservoir dans un récipient ou inclinez directement l'appareil pour évacuer l'eau dans une autre évacuation.
2. Allumez l'appareil, réglez-le sur le mode ventilation à vitesse faible, et laissez l'appareil fonctionner dans cet état jusqu'à ce que le tuyau de vidange soit sec, de manière à garder sec l'intérieur de l'appareil, évitant ainsi la formation de moisissures.
3. Éteignez l'appareil, retirez le bouchon d'eau et enroulez le cordon d'alimentation autour de la patte prévue à cet effet ; mettez en place le bouchon d'eau et le cache de vidange.
4. Retirez le tuyau d'évacuation et rangez-le dans un endroit adapté.
5. Recouvrez le climatiseur d'un sac en plastique. Placez le climatiseur dans un endroit sec, hors de portée des enfants et prenez des mesures pour le protéger contre la poussière.
6. Retirez les piles de la télécommande et gardez-les en lieu sûr.



Remarque : Assurez-vous que l'appareil est placé dans un endroit sec et rangez tous ses composants en lieu sûr.

Ne tentez pas de réparer ou de démonter le climatiseur vous-même. Une réparation effectuée par une personne non qualifiée rendra caduque la garantie, et pourrait occasionner des blessures aux utilisateurs ou endommager des biens matériels.

Problèmes	Explications	Solutions
Le climatiseur ne fonctionne pas.	Il n'y a pas d'électricité.	Branchez l'appareil sur une prise électrique et allumez-le.
	L'indicateur de débordement affiche «  ».	Évacuez l'eau qui se trouve à l'intérieur.
	La température ambiante est trop basse ou trop élevée	Il est conseillé d'utiliser l'appareil à une température comprise entre 7 et 35 °C (44-95 °F).
	En mode refroidissement, la température ambiante est inférieure à la température de consigne ;	Modifiez la température de consigne.
	En mode déshumidification, la température ambiante est faible.	L'appareil se trouve dans une pièce dont la température ambiante est supérieure à 17 °C (62 °F).
L'effet de refroidissement est insuffisant	L'appareil est exposé à la lumière directe du soleil.	Fermez les rideaux.
	Des portes ou des fenêtres sont ouvertes, il y a de nombreuses personnes dans la pièce ; ou en mode refroidissement, d'autres sources de chaleur sont présentes.	Fermez les portes et les fenêtres, et ajoutez un nouveau climatiseur.
	Le filtre est sale.	Nettoyez ou remplacez le filtre.
	L'entrée ou la sortie d'air est obstruée.	Retirez les obstructions.
L'appareil est très bruyant	Le climatiseur ne se trouve pas sur une surface plate.	Placez le climatiseur sur une surface plate et rigide (pour réduire le bruit).
Le compresseur ne fonctionne pas	Activation du dispositif de protection anti-surchauffe.	Patientez 3 minutes jusqu'à ce que la température ait diminué, puis redémarrez l'appareil.

9 Dépannage

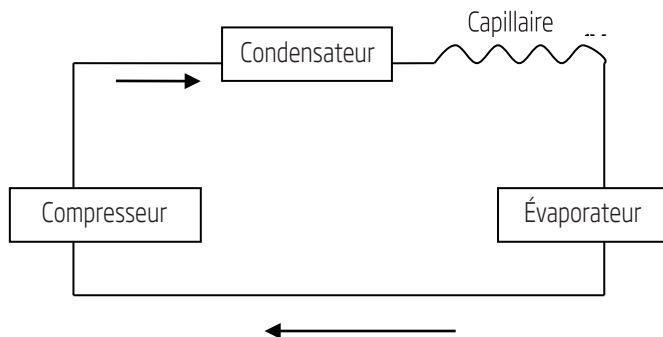
Problèmes	Explications	Solutions
La télécommande ne fonctionne pas.	La télécommande est trop éloignée de l'appareil.	Approchez la télécommande du climatiseur, et assurez-vous que la télécommande fait directement face au récepteur.
	La télécommande n'est pas orientée vers le récepteur.	
	Les piles sont déchargées.	Remplacez les piles.
Affiche « E1 ».	Le capteur de température ambiante présente un dysfonctionnement.	Vérifiez le capteur de température ambiante et le circuit connexe.
Affiche « E2 ».	Le capteur de température du tuyau présente un dysfonctionnement.	Vérifiez le capteur de température du tuyau et le circuit connexe.



Remarque : Si vous rencontrez un problème qui ne figure pas dans le tableau, ou si les solutions conseillées ne fonctionnent pas, veuillez contacter un réparateur professionnel.

Diagramme schématique du climatiseur

(Les caractéristiques techniques spécifiques de l'appareil sont indiquées sur la plaque signalétique apposée sur le produit)



Traitement : Ne jetez pas l'appareil dans les ordures ménagères non triées. Ce type de déchet doit être séparé pour un autre usage particulier.



Ce produit est conforme à la directive DEEE (2012/19/UE) de l'Union européenne). Ce produit porte un symbole de classification pour la mise au rebut des équipements électriques et électroniques (DEEE). Ce symbole indique que ce produit ne doit pas être jeté avec les déchets ménagers à la fin de sa vie utile. Les appareils usagés doivent être retournés au point de collecte officiel destiné au recyclage des appareils électriques et électroniques. Pour trouver ces systèmes de collecte, veuillez contacter les autorités locales ou le détaillant auprès duquel vous avez acheté le produit. Chaque ménage joue un rôle important dans la récupération et le recyclage des appareils ménagers usagés. L'élimination appropriée des appareils usagés aide à prévenir les conséquences négatives potentielles pour l'environnement et la santé humaine.

11 Instructions d'installation

11.1 Consignes de la F-Gaz

Ce produit contient des gaz à effet de serre fluorés.

Les gaz à effet de serre fluorés sont contenus dans un dispositif hermétiquement scellé.

Les opérations d'installation, d'entretien, de maintenance, de réparation, de vérifications de fuites éventuelles, de mise hors service des équipements obsolètes ainsi que de recyclage des produits doivent être effectuées par une personne physique certifiée.

Si le système est doté d'un dispositif de détection des fuites, des vérifications de fuites éventuelles doivent être effectuées au moins une fois par an, afin de s'assurer que le système fonctionne correctement.

Si le produit doit faire l'objet de vérifications de fuites éventuelles, il est recommandé de mentionner le cycle d'inspection, et d'établir et sauvegarder les comptes rendus des vérifications effectuées.



Remarque : Si l'équivalent en CO₂ des gaz à effet de serre fluorés contenus dans les équipements hermétiquement scellés, les climatiseurs mobiles, les climatiseurs fixes ainsi que les déshumidificateurs, est inférieur à 10 tonnes, nul besoin d'effectuer des vérifications de fuites éventuelles.

12 Spécifications

Nom de modèle Beko	BS107CN/BS107CB
Marque	Beko
Gaz réfrigérant	R290
Quantité totale de gaz réfrigérant (g)	130
Classe climatique	T1
Type de chauffage	-
Type de commande	Télécommande
Capacité de refroidissement (Btu/h)	6500
Capacité de refroidissement (W)	1905
Efficacité énergétique de refroidissement (W/W)	2,6
Consommation d'énergie-refroidissement	A
Alimentation en mode refroidissement (W)	732
Tension/Fréquence (V/Hz)	220-240V~50Hz
Courant de fonctionnement en mode refroidissement (A)	3,2
Niveau sonore (dBA) (Puissance sonore)	65/-/-
Volume de débit d'air (m ³ /h)	300
Élimination d'humidité (lt/h)	0,8
Plage de températures de fonctionnement en refroidissement (°C)	16-35
Appareil emballé (LxHxP) mm	305×678×328
Poids de l'appareil - Emballé (kg)	19

1. Les spécifications sont des valeurs standard calculées sur la base des conditions de fonctionnement nominales. Elles varient selon les différentes conditions de fonctionnement.
2. Notre entreprise développe rapidement de nouvelles améliorations techniques. Les modifications des données techniques ne feront pas l'objet d'un préavis. Veuillez vous reporter à la plaque signalétique apposée sur le climatiseur.
3. La valeur nominale est testée sous 35/24 (entrée) et 35/24 (sortie).

Fabriqué par Arcelik A.S. Karaağaç Cd. N° 2-6 Sütlüce, 34445 Beyoğlu, Istanbul, Turquie.

Importateur en France

BEKO France / Immeuble Stadium266, Avenue du Président Wilson, 93218 La Plaine Saint-Denis Cedex

Arçelik A.Ş. Karaağaç Caddesi No:2-6, 34445,
Sütlüce / İSTANBUL / TÜRKİYE
www.beko.com