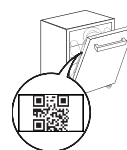


# DAILY REFERENCE GUIDE



**THANK YOU FOR BUYING AN INDESIT PRODUCT.**  
In order to receive a more complete assistance, please register your appliance on: [www.indesit.com/register](http://www.indesit.com/register)

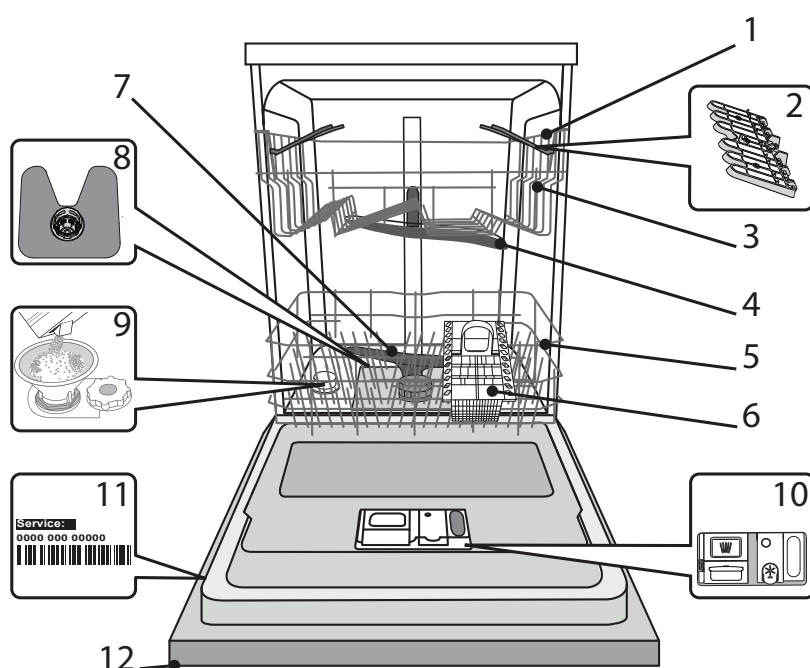
**PLEASE SCAN THE QR CODE ON YOUR APPLIANCE IN ORDER TO HAVE MORE DETAILED INFORMATION**



**⚠ Before using the appliance carefully read Safety Instructions.**

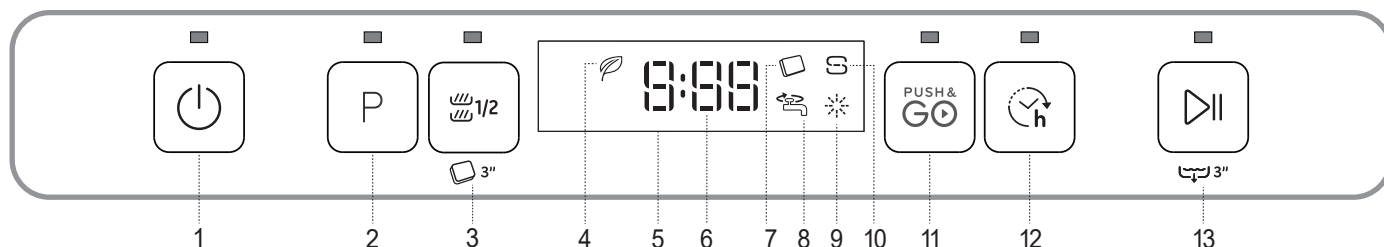
## PRODUCT DESCRIPTION

### APPLIANCE



1. Upper rack
2. Foldable flaps
3. Upper rack height adjuster
4. Upper spray arm
5. Lower rack
6. Cutlery basket
7. Lower spray arm
8. Filter Assembly
9. Salt reservoir
10. Detergent and Rinse Aid dispensers
11. Rating plate
12. Control panel

### CONTROL PANEL



1. On-Off / Reset button with indicator light
2. Program selection button with indicator light
3. Half Load button with indicator light / Tablet (Tab)
4. Eco program indicator light
5. Display
6. Program number and remaining time indicator
7. Tablet (Tab) indicator light
8. Closed water tap indicator light
9. Rinse Aid refill indicator light
10. Salt refill indicator light
11. Push&GO button with indicator light
12. Delay button with indicator light
13. Start/Pause button with indicator light / Drain out

# FIRST TIME USE

## SALT, RINSE AID AND DETERGENT


### ADVICE REGARDING THE FIRST TIME USE

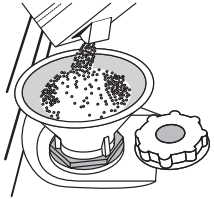
After installation, remove the stoppers from the racks and the retaining elastic elements from the upper rack.

### FILLING THE SALT RESERVOIR

The use of salt prevents the formation of LIMESCALE on the dishes and on the machine's functional components.

- It is mandatory that **THE SALT RESERVOIR BE NEVER EMPTY.**
- It is important to set the water hardness.

The salt reservoir is located in the lower part of the dishwasher (see *PRODUCT DESCRIPTION*) and must be filled when the **SALT REFILL indicator light**  in the control panel is lit.



1. Remove the lower rack and unscrew the reservoir cap (anticlockwise).
2. **Only the first time you do this: fill the salt reservoir with water.**
3. Position the funnel (see figure) and fill the salt reservoir right up to its edge (approximately 1 kg); it is not unusual for a little water to leak out.
4. Remove the funnel and wipe any salt residue away from the opening.

Make sure the cap is screwed on tightly, so that no detergent can get into the container during the wash program (this could damage the water softener beyond repair).

**Whenever you need to add salt, it is mandatory to complete the procedure before the beginning of the washing cycle to avoid corrosion.**

### SETTING THE WATER HARDNESS

To allow the water softener to work in a perfect way, it is essential that the water hardness setting is based on the actual water hardness in your house. This information can be obtained from your local water supplier. The factory sets the default value for the water hardness

- Switch on the appliance by pressing the **ON/OFF** button.
- Switch off the appliance by pressing the **ON/OFF** button.
- Hold down button **START/Pause** for 5 seconds, until you hear a beep.
- Switch on the appliance by pressing the **ON/OFF** button.
- The current selection level number and the salt indicator light both flash.
- Press button **P** to select the desired hardness level (see *WATER HARDNESS TABLE*).

Water Hardness Table			
Level	°dH German degrees	°fH French degrees	°Clark English degrees
1 Soft	0 - 6	0 - 10	0 - 7
2 Medium	7 - 11	11 - 20	8 - 14
3 Average	12 - 16	21 - 29	15 - 20
4 Hard	17 - 34	30 - 60	21 - 42
5 Very hard	35 - 50	61 - 90	43 - 62

- Switch off the appliance by pressing the **ON/OFF** button.

Setting is complete!

As soon as this procedure is complete, run a program without loading.


**Only use salt that has been specifically designed for dishwashers.**

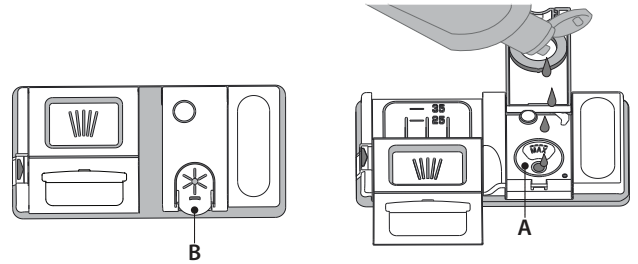
After the salt has been poured into the machine, the SALT REFILL indicator light switches off.

**If the salt container is not filled, the water softener and the heating element may be damaged as a result of limescale accumulation.**

Using of Salt is recommended with any type of dishwasher detergent.

### FILLING THE RINSE AID DISPENSER

Rinse aid makes dish DRYING easier. The rinse aid dispenser **A** should be filled when the **RINSE AID REFILL**  indicator light in the control panel is lit.



1. Open the dispenser **B** by pressing and pulling up the tab on the lid.
  2. Pour in the rinse aid (max.110 ml), making sure it does not overflow from the dispenser. If this happens, clean the spill immediately with a dry cloth.
  3. Press the lid down until you hear a click to close it.
- NEVER pour the rinse aid directly into the appliance tub.**

### ADJUSTING THE DOSAGE OF RINSE AID

If you are not completely satisfied with the drying results, you can adjust the quantity of rinse aid used.

- Switch the dishwasher on using the **ON/OFF** button.
- Switch it off using the **ON/OFF** button.
- Press button **START/Pause** three times - a beep will be heard.
- Switch it on using the **ON/OFF** button.
- The current selection level number and rinse aid indicator light flash.
- Press button **P** to select the level of rinse aid quantity to be supplied.
- Switch it off using the **ON/OFF** button

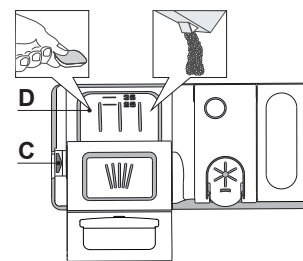
Setting is complete!

If the rinse aid level is set to 1 (ECO), no rinse aid will be supplied. The LOW RINSE AID indicator light will not be lit if you run out of rinse aid. A maximum of 5 levels can be set according to the dishwasher model. The factory setting is specific to the model, please follow instruction above to check this for your machine.

- If you see bluish streaks on the dishes, set a low number (2-3).
- If there are drops of water or limescale marks on the dishes, set a mid-range number (4-5).

### FILLING THE DETERGENT DISPENSER

**To open the detergent dispenser use the opening device C. Introduce the detergent into the dry dispenser D only. Place the amount of detergent for pre-washing directly inside the tub.**



1. When measuring out the detergent refer to the mentioned earlier information to add the proper quantity. Inside the dispenser **D** there are indications to help the detergent dosing.
2. Remove detergent residues from the edges of the dispenser and close the cover until it clicks.
3. Close the lid of the detergent dispenser by pulling it up until the closing device is secured in place.

The detergent dispenser automatically opens up at the right time according to the program.

If all-in-one detergents are used, we recommend using the **TABLET** button, because it adjusts the program so that the best washing and drying results are always achieved.

**Usage of detergent not designed for dishwashers may cause malfunction or damage to the appliance.**

# PROGRAMS TABLE

Program	Drying phase	Auto Door	Available options <sup>*)</sup>	Duration of wash program (h:min) <sup>**)</sup>	Water consumption (litres/cycle)	Energy consumption (kWh/cycle)
<b>1. Eco</b> ECO 50°	✓	✓		3:40	11.5	0.64
<b>2. Intensive</b>	✓	✓		2:30	15.0	1.50
<b>3. Mixed</b>	✓	✓		2:00	15.0	1.35
<b>4. Fast&amp;Clean 28'</b>	✗	✗		0:28	9.0	0.50
<b>5. Extra Hygiene</b>	✓	✗		1:40	11.5	1.30
<b>6. Pre-Wash</b>	✗	✗		0:10	4.5	0.01
<b>7. Push&amp;GO</b> PUSH & GO 50°	✓	✓		1:25	11.5	1.10

ECO program data is measured under laboratory conditions according to European Standard EN 60436:2020.

Note for Test Laboratories:

For information on comparative EN testing conditions, please send an email to the following address: [dw\\_test\\_support@europeanappliances.com](mailto:dw_test_support@europeanappliances.com)

Pre-treatment of the dishes is not needed before any of the programs.

<sup>\*)</sup> Not all options can be used simultaneously.

<sup>\*\*)</sup> Values given for programs other than the program Eco are indicative only. The actual time may vary depending on many factors such as temperature and pressure of the incoming water, room temperature, amount of detergent, quantity and type of load, load balancing, additional selected options and sensor calibration. The sensor calibration can increase program duration up to 20 min.

## PROGRAMS DESCRIPTION

### Instructions on wash cycle selection.

#### 1 ECO

Eco programme is suitable to clean normally soiled tableware, that for this use, it is the most efficient programme in terms of its combined energy and water consumption, and that it is used to assess compliance with the EU Ecodesign legislation.

#### 2 INTENSIVE

Normally soiled crockery. Everyday cycle, that ensures optimal cleaning and drying performance in shorter time.

#### 3 MIXED

Program to be used for half load of lightly-soiled dishes with no dried food residues. This cycle does not have drying phase.

#### 4 FAST&CLEAN 28'

Program to be used for half load of lightly-soiled dishes with no dried food residues. Does not have drying phase.

#### 5 EXTRA HYGIENE

Ideal for washing a half load of lightly or normally soiled crockery.

#### 6 PRE-WASH

Use to refresh crockery planned to be washed later. No detergent to be used with this program.

#### 7 PUSH&GO

Everyday wash and dry cycle that ensures great cleaning performance in a short time without the need to pre-treat dishes.

#### Notes:

Please note that cycle *Fast&Clean 28'* is dedicated for lightly soiled dishes.

# OPTIONS AND FUNCTIONS

OPTIONS can be selected directly by pressing the corresponding button (see CONTROL PANEL).

**If an option is not compatible with the selected program see PROGRAMS TABLE, the corresponding LED flashes rapidly 3 times and beeps will sound. The option will not be enabled.**

## 1/2 HALF LOAD

If there are not many dishes to be washed, a half load cycle may be used in order to save water, electricity and detergent.

Select the program and press the HALF LOAD button: the indicator light will light up. Press the HALF LOAD button to deselect this option.

**Remember to halve the amount of detergent.**

## TABLET (Tab)

This setting allows you to optimize the performance of the program according to the type of detergent used.

A long press (for 3 seconds) of the HALF LOAD button (the corresponding symbol will light up), will activate the function if you use combined detergents in tablet form (rinse aid, salt and detergent in 1 dose).

**If you use powder or liquid detergent, this option should be off.**

## WATER TAP CLOSED – Alarm

Flashes when there is no inlet water or water tap is closed.

## PUSH&GO

Push&GO button is an easily distinguishable button that allows you direct access to the Push&GO program, a wash and dry cycle that ensures great cleaning performance in a short time. You don't have to worry which program to choose, Push&GO cycle will do the work for you.

To select Push&GO program, switch on appliance, press **only Push&GO** button for 3 seconds.

## DELAY

The start of the program may be delayed for a period of time between 0:30 and 24 hours.

1. Select the program and any desired options. Press the DELAY button (repeatedly) to delay the start of the program. Adjustable from 0:30 to 24 hours. With each press of the button, the delay start increases by: 0:30 if selection below 4 hours, 1:00 if selection is below 12 hours, 4 hours if selection is above 12 hours. If 24 hours reached, and the button is pressed, the delayed start is deactivated.
2. Press the START/PAUSE button: the timer will begin counting down;
3. Once this time has elapsed, the indicator light switches off and the program begins automatically.

If at the time of the countdown the START/PAUSE button is pressed again the DELAY option is cancelled and the selected program starts automatically.

**The DELAY function cannot be set once a program has been started.**

## DRAIN OUT

To stop and cancel the active cycle, the Drain Out function can be used.

A long press of START/PAUSE button, will activate the DRAIN OUT function. The active program will be stopped and the water in the dishwasher will be drained out.



## AUTO DOOR

Auto Door is a convection drying system which automatically opens the door during/after drying phase to ensure exceptional drying performance every day. Door opens at the temperature that is safe to your kitchen furniture.

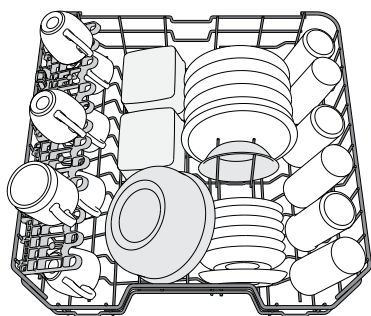
As additional steam protection, special designed protection foil is added together with the dishwasher (depending on the model type - can be the need to buy it). To see how to mount protection foil please refer to (INSTALLATION GUIDE).

Auto Door functionality could be disabled by the user as follows:

- To DISABLE: Switch On, then switch Off. Keep the **P** button pressed for 5 sec., at the end of 5 sec the dishwasher plays a short beep. Switch On the machine, the display shows „oOF“.
- To ENABLE: Switch On, then switch Off the machine. Keep the **P** button pressed for 5 sec., at the end of 5 sec the dishwasher plays a short beep. Switch On the machine, the display shows „oOn“.

# LOADING THE RACKS

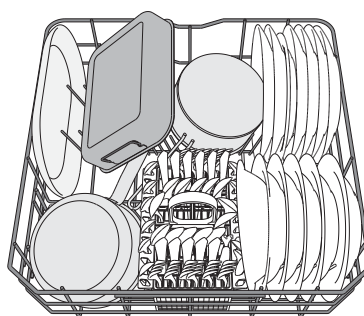
## UPPER RACK



(loading example for the upper rack)

Load delicate and light dishes: glasses, cups, saucers, low salad bowls.

## LOWER RACK



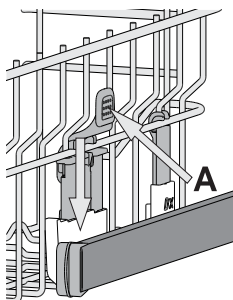
(loading example for the lower rack)

For pots, lids, plates, salad bowls, cutlery etc. Large plates and lids should ideally be placed at the sides to avoid interferences with the spray arm.

## ADJUSTING THE HEIGHT OF THE UPPER RACK

The height of the upper rack can be adjusted: high position to place bulky crockery in the lower basket and low position to make the most of the tip-up supports by creating more space upwards and avoid collision with the items loaded into lower rack.

The upper rack is equipped with a **Upper Rack height adjuster** (see figure), without pressing the levers, lift it up by simply holding the rack sides, as soon as the rack is stable in its upper position. To restore to the lower position, press the levers **A** at the sides of the rack and move the basket downwards.

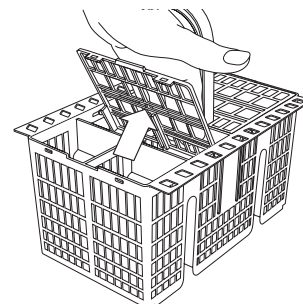


**We strongly recommend that you do not adjust the height of the rack when it is loaded.**

**NEVER raise or lower the basket on one side only.**

## CUTLERY BASKET

It is fitted with top grids for improved cutlery arrangement. It must only be positioned at the front of the lower rack. **Knives and other utensils with sharp edges must be placed in the cutlery basket with the points facing downwards or they must be positioned horizontally in the tip-up compartments on the upper rack.**



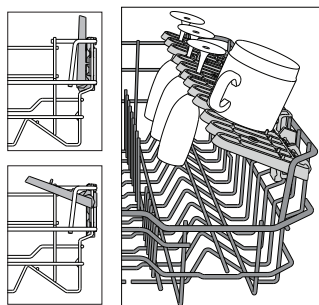
## FOLDABLE FLAPS WITH ADJUSTABLE POSITION

The side foldable flaps can be fold or unfold to optimize the arrangement of crockery inside the rack.

Wine glasses can be placed safely in the foldable flaps by inserting the stem of each glass into the corresponding slots.

Depending on the model:

- to unfold the flaps there is needed to slide it up and rotate or release it from the snaps and pull it down.
- to fold the flaps there is needed to rotate it and slide flaps down or pull it up and attach flaps to the snaps.



# DAILY USE

## 1. CHECK WATER CONNECTION

Check that the dishwasher is connected to the water supply and that the tap is open.

## 2. SWITCH ON THE DISHWASHER

Press the **ON/OFF** button.

## 3. LOAD THE RACKS (see *LOADING THE RACKS*).

## 4. FILLING THE DETERGENT DISPENSER

## 5. CHOOSE THE PROGRAM AND CUSTOMISE THE CYCLE

Select the most appropriate program in accordance with the type of crockery and its soiling level (see *PROGRAMS DESCRIPTION*) by pressing the **P** button.

Select the desired options (see *OPTIONS AND FUNCTIONS*).

## 6. START

Start the wash cycle by pressing the **START/Pause** button. When the program starts you hear a beep.

## 7. END OF WASH CYCLE

The end of the wash cycle is indicated by beeps and the display shows **End**. Open the door and switch off the appliance by pressing the **ON/OFF** button.

Wait for a few minutes before removing the crockery - to avoid burns. Unload the racks, beginning with the lower one.

**The machine will switch off automatically during certain extended periods of inactivity, in order to minimise electricity consumption. If the crockery is only lightly soiled or if it has been rinsed with water before being placed in the dishwasher, reduce the amount of detergent used accordingly.**

## MODIFYING A RUNNING PROGRAM

If a wrong program was selected, it is possible to change it, provided that it has only just begun: press and hold the **ON/OFF** button, the machine will switch off. Switch the machine back on using the **ON/OFF** button and select the new wash cycle and any desired options; start the cycle by pressing the **START/PAUSE** button.

## ADDING EXTRA CROCKERY

Without switching off the machine, open the door (**be ware of HOT steam!**) and place the crockery inside the dishwasher. Close the door and press the **START/Pause** button the cycle will begin from the point at which it was interrupted.

## ACCIDENTAL INTERRUPTIONS

If the door is opened during the wash cycle, or if there is a power cut, the cycle stops. Once the door has been closed or the electricity supply is restored, to start again the cycle from where it was interrupted, press the **START/Pause** button.

To disable the **DEMO MODE** the following actions must be carried out in sequence, without breaks. Switch the machine ON and then switch it OFF again. Press the DELAY button until the buzzer is heard. Switch the machine on again. The **"dOF"** indicator flashes and then turns OFF.

# ADVICE AND TIPS

## TIPS

Before loading the baskets, remove all food residues from the crockery and empty the glasses. **You do not need to rinse beforehand under running water.**

Arrange the crockery so that it is held in place firmly and does not tip over; and arrange the containers with the openings facing downwards and the concave/convex parts placed obliquely, thus allowing the water to reach every surface and flow freely.

**Warning:** lids, handles, trays and frying pans do not prevent the sprayer arms from rotating.

Place any small items in the cutlery basket.

Very soiled dishes and pans should be placed in the lower basket because in this sector the water sprays are stronger and allow a higher washing performance.

After loading the appliance, make sure that the sprayer arms can rotate freely.

## UNSUITABLE CROCKERY

- Wooden crockery and cutlery.
- Delicate decorated glasses, artistic handicraft and antique crockery. Their decorations are not resistant.
- Parts in synthetic material which do not withstand high temperatures.
- Copper and tin crockery.
- Crockery soiled with ash, wax, lubricating grease or ink.

The colours of glass decorations and aluminium/silver pieces can change and fade during the washing process. Some types of glass (e.g. crystal objects) can become opaque after a number of wash cycles too.

## DAMAGE TO GLASS AND CROCKERY

- Only use glasses and porcelain guaranteed by the manufacturer as dishwasher safe.
- Use a delicate detergent suitable for crockery
- Collect glasses and cutlery from the dishwasher as soon as the wash cycle is over.

## TIPS ON ENERGY SAVING

- When the household dishwasher is used according to the manufacturer's instructions, **washing tableware in a dishwasher usually consumes less energy and water than hand dishwashing.**
- In order to maximize dishwasher efficiency it is recommended to **initiate the wash cycle once dishwasher is fully loaded.** Loading the household dishwasher up to the capacity indicated by the manufacturer will contribute to energy and water savings. Information on correct loading of tableware can be found in Loading chapter. In case of partial loading it is recommended to use dedicated wash options if available (Half load/ Zone Wash, Multizone), filling up only selected racks. Incorrect loading or overloading the dishwasher may increase resources usage (such as water, energy and time, as well as increase noise level), reducing cleaning and drying performance.
- Manual pre-rinsing of tableware items leads to increased water and energy consumption and is not recommended.

## HYGIENE

To avoid odour and sediment which can be accumulated in the dishwasher **please run a high temperature program at least one a month.** Use a tea spoon of detergent and run it without the loading to clean your appliance.

# CARE AND MAINTENANCE

## CLEANING THE FILTER ASSEMBLY

Regularly clean the filter assembly so that the filters do not clog and that the waste water flows away correctly.

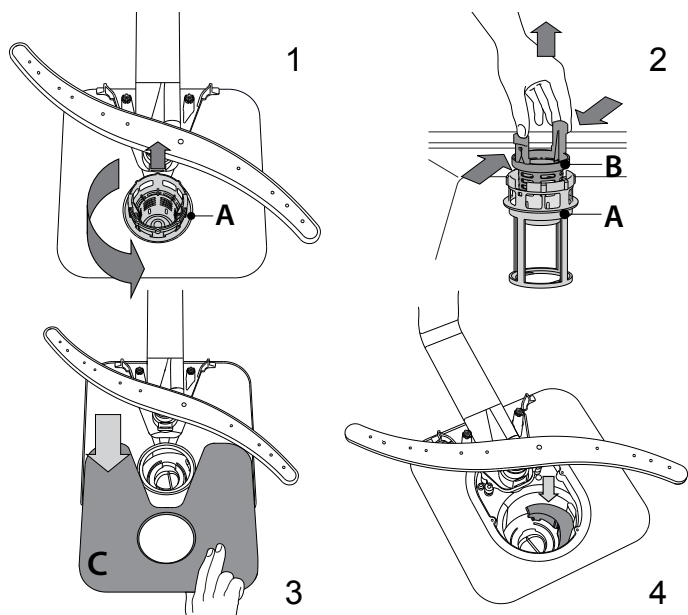
Using dishwasher with clogged filters or foreign objects inside filtration system or sprayarms may cause unit malfunction resulting in lose of performance, noisy work or higher resources usage.

The filter assembly consists of three filters which remove food residues from the washing water and then recirculate the water.

**The dishwasher must not be used without filters or if the filter is loose.**

At least once per month or after each 30 cycles, check the filter assembly and if necessary clean it thoroughly under running water, using a non-metallic brush and following the instructions below:

1. Turn the cylindrical filter **A** in an anti-clockwise direction and pull it out (Fig 1).
2. Remove the cup filter **B** by exerting a slight pressure on the side flaps (Fig 2).
3. Slide out the stainless-steel plate filter **C** (Fig 3).
4. In case you find foreign objects (such as broken glass, porcelain, bones, fruit seeds etc.) **please remove them carefully**.
5. Inspect the trap and remove any food residues. **NEVER REMOVE** the wash-cycle pump protection (black detail) (Fig 4).



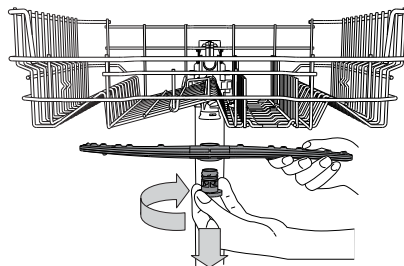
After cleaning the filters, re-place the filter assembly and fix it in position correctly; this is essential for maintaining the efficient operation of the dishwasher.

## CLEANING THE WATER INLET HOSE

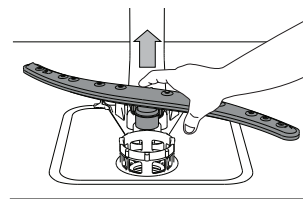
If the water hoses are new or have not been used for an extended period of time, let the water run to make sure it is clear and free of impurities before performing the necessary connections. If this precaution is not taken, the water inlet could become blocked and damage the dishwasher.

## CLEANING THE SPRAY ARMS

On occasions, food residue may become encrusted onto the spray arms and block the holes used to spray the water. It is therefore recommended that you check the arms from time to time and clean them with a small non-metallic brush.



To remove the upper spray arm, turn the plastic locking ring in a clockwise direction. The upper spray arm should be replaced so that the side with the greater number of holes is facing upwards.



The lower spray arm may be removed by pulling it upwards.

## WATER SOFTENING SYSTEM

Water softener automatically reduces water hardness, consequently preventing scale buildup on heater, contributing also to better cleaning efficiency.

**This system regenerates itself with salt, therefore it is required to refill salt container when empty.**



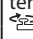
Frequency of regeneration depends on water hardness level setting - regeneration takes place once per 5 Eco cycles with water hardness level set to 3.

Regeneration process starts in final rinse and finishes in drying phase, before cycle ends.

- Single regeneration consumes: ~3.5L of water;
- Takes up to 5 additional minutes for the cycle;
- Consumes below 0.005kWh of energy.

# TROUBLESHOOTING

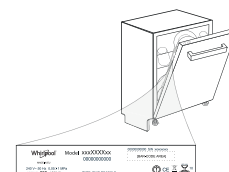
In case your dishwasher doesn't work properly, check if the problem can be solved by going through the following list. For other errors or issues please contact authorized After-sales Service which contact details can be found in the warranty booklet. Spare parts will be available for a period of either up to 7 or up to 10 years, according to the specific Regulation requirements.

PROBLEMS	POSSIBLE CAUSES	SOLUTIONS
 Salt indicator is lit	Salt reservoir is empty (after refill the salt indicator may remain lit for several wash cycles).	Refill reservoir with salt (for more information - see page 2). Adjust water hardness (see table, page 2).
 Rinse aid indicator is lit	Rinse aid dispenser is empty (after refill the rinse aid indicator may remain lit for several wash cycles).	Refill dispenser with rinse aid (for more information - see page 2).
The dishwasher won't start or does not respond to commands.	The appliance has not been plugged in properly.	Insert the plug into the socket.
	Power outage.	For safety reasons, dishwasher will not restart automatically when power returns. Press the START/Pause button to resume the cycle.
	The dishwasher door is not closed. Auto Door pin is not pulled in.	Vigorously push the door until you hear the "click".
	Cycle is interrupted by door opening for > 4 sec.	Close the door and press START/Pause button.
The dishwasher won't drain. Display shows: <b>F3</b> and both On/Off and START/Pause LEDs are blinking rapidly.	It does not respond to commands. Display shows: <b>F9</b> or <b>F12</b> and both On/Off and START/Pause LEDs are blinking rapidly.	Switch off the appliance by pressing the ON/OFF button, switch it back on after approximately one minute and restart the program. If problem persists, unplug the appliance for 1 minute, then plug it back in.
	The wash cycle has not finished yet.	Wait until the wash cycle finishes.
	The drain hose is bent.	Check that the drain hose is not bent (see <i>INSTALLATION INSTRUCTION</i> ).
	The sink drain pipe is blocked.	Clean the sink drain pipe.
The dishwasher makes excessive noise.	The filter is clogged up with food residues.	Clean the filter (see <i>CLEANING THE FILTER ASSEMBLY</i> ).
	The dishes are rattling against each other.	Position the crockery correctly (see <i>LOADING THE RACKS</i> ).
The dishes are not clean.	An excessive amount of foam has been produced.	The detergent has not been measured out correctly or it is not suitable for use in dishwashers (see <i>FILLING THE DETERGENT DISPENSER</i> ). Restart dishwasher by pressing the DRAIN button (see <i>OPTIONS AND FUNCTIONS</i> ) and run new program without detergent.
	The crockery has not been arranged properly.	Arrange the crockery correctly (see <i>LOADING THE RACKS</i> ).
	The spray arms cannot rotate freely, being hindered by the dishes.	Arrange the crockery correctly (see <i>LOADING THE RACKS</i> ).
	The wash cycle is too gentle.	Select an appropriate wash cycle (see <i>PROGRAMS TABLE</i> ).
	An excessive amount of foam has been produced.	The detergent has not been measured out correctly or it is not suitable for use in dishwashers (see <i>FILLING THE DETERGENT DISPENSER</i> ).
	The cap on the rinse aid compartment has not been shut correctly.	Make sure the cap of the rinse aid dispenser is closed.
The dishwasher does not fill the water. Display shows:  and <b>F6</b> , both On/Off and START/Pause LEDs are blinking rapidly.	The filter is soiled or clogged.	Clean the filter assembly (see <i>CARE AND MAINTENANCE</i> ).
	There is no salt.	Fill the salt reservoir (see <i>FILLING THE SALT RESERVOIR</i> ).
	No water in the water supply or the tap is closed.	Make sure there is water in the water supply or the tap running.
	The inlet hose is bent.	Make sure the inlet hose is not bent (see <i>INSTALLATION</i> ) reprogram the dishwasher and reboot.
Dishwasher finishes the cycle prematurely. Display shows: <b>F15</b> and both On/Off and START/Pause LEDs are blinking rapidly.	The sieve in the water inlet hose is clogged; it is necessary to clean it.	After having carried out the verification and cleaning, turn off and turn on the dishwasher and restart a new program.
	Drain hose positioned too low or siphoning into home sewage system.	Check if end of drain hose is placed at correct height (see <i>INSTALLATION</i> ). Check for siphoning into home sewage system, install air admittance valve if necessary.
Detergent leaks.	Air in water supply.	Check water supply for leaks or other issues letting air inside.
	Depends on the liquid detergent used and can be emphasized in case of delay option is activated.	Small leaks will not cause machine malfunction and can be avoided by changing liquid detergent type or using tablets.

Policies, standard documentation, ordering of spare parts and additional product information can be found by:

- Using QR code on your product.
- Visiting our website [docs.indesit.eu](https://docs.indesit.eu) and [parts-selfservice.europeanappliances.com](https://parts-selfservice.europeanappliances.com)
- Alternatively, **contact our After-sales Service** (See phone number in the warranty booklet). When contacting our After-sales Service, please state the codes provided on your product's identification plate.

The model information can be retrieved using the QR-Code indicated on the energy label. The label also includes the model identifier that can be used to consult the <https://eprel.ec.europa.eu> database portal.



# GUIDE D'UTILISATION QUOTIDIENNE

## D'UTILISATION QUOTIDIENNE



**MERCI D'AVOIR CHOISI UN PRODUIT INDESIT.**  
Afin de recevoir une assistance plus complète, merci d'enregistrer votre appareil sur: [www.indesit.com/register](http://www.indesit.com/register)

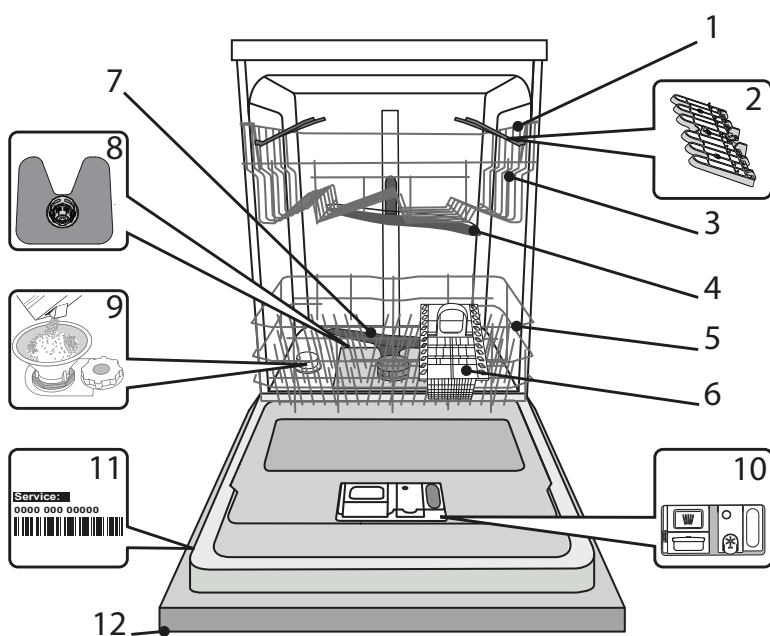
**MERCI DE SCANNER LE QR CODE SUR VOTRE APPAREIL POUR OBTENIR DES INFORMATIONS PLUS DÉTAILLÉES.**



**⚠ Avant d'utiliser l'appareil, lisez attentivement les Consignes de sécurité.**

## DESCRIPTION DU PRODUIT

### APPAREIL



1. Panier supérieur
2. Volets pliables
3. Bouton de réglage de la hauteur du panier supérieur
4. Bras d'aspersion supérieur
5. Panier inférieur
6. Panier à couver
7. Bras d'aspersion inférieur
8. Ensemble filtre
9. Réservoir à sel
10. Distributeurs de détergent et liquide de rinçage
11. Plaque signalétique
12. Panneau de commande

### PANNEAU DE COMMANDE



1. Touche Marche-Arrêt/Réinitialisation avec le voyant
2. Touche Sélecteur de programme avec le voyant
3. Touche Demi-Charge avec le voyant / Pastille
4. Voyant programme Éco
5. Affichage
6. Voyant pour le numéro du programme et le temps restant
7. Voyant Pastille
8. Voyant Robinet d'eau fermé
9. Voyant de niveau de liquide de rinçage
10. Voyant de niveau de sel
11. Touche Push&GO avec le voyant
12. Touche Différé avec le voyant
13. Touche Démarrer/Pause avec le voyant / Drainer

# PREMIÈRE UTILISATION

## SEL, LIQUIDE DE RINÇAGE, ET DÉTERGENT


### CONSEILS AU SUJET DE LA PREMIÈRE UTILISATION

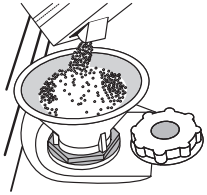
Après l'installation, enlevez les boulons d'arrêt sur les paniers et les éléments élastiques qui retiennent le panier supérieur.

### REMPILIR LE RÉSERVOIR DE SEL

L'utilisation de sel régénérant empêche la formation de CALCAIRE sur la vaisselle et sur les composantes fonctionnelles de l'appareil.

- Le **RÉSERVOIR DE SEL NE DOIT JAMAIS ÊTRE VIDE.**
- Il est important de régler la dureté de l'eau.

Le réservoir de sel est situé dans la partie inférieure du lave-vaisselle (voir *DESCRIPTION DU PRODUIT*) et il doit être rempli quand le **voyant REMPLISSAGE DE SEL**  sur le panneau de commande est allumé.



1. Enlevez le panier inférieur et dévissez le bouchon du réservoir (sens antihoraire).
2. **La première fois uniquement, vous devez effectuer l'opération suivante : Remplissez d'eau le réservoir à sel.**
3. Placez l'entonnoir (voir figure) et remplissez le réservoir de sel jusqu'au bord (environ 1 kg); il est normal qu'un peu d'eau déborde.
4. Enlevez l'entonnoir et essuyez les résidus de sel autour de l'ouverture.

Assurez-vous que le bouchon est bien serré pour éviter que du détergent pénètre dans le réservoir durant le cycle de lavage (le réservoir pourrait s'endommager au point de ne plus être réparable).

**Après chaque ajout de sel dans le réservoir, il est obligatoire de lancer immédiatement un cycle de lavage afin d'éviter toute corrosion de la cuve.**

### RÉGLER LA DURETÉ DE L'EAU

Pour que l'installation d'adoucissement d'eau fonctionne parfaitement bien, il faut régler la dureté d'eau conformément à la dureté d'eau dont on dispose à la maison. Vous pouvez obtenir des informations nécessaires auprès de l'utilité publique qui assure la fourniture d'eau.

L'usine règle la valeur par défaut de la dureté de l'eau.

- Allumer l'appareil en appuyant sur la touche **MARCHE/ARRÊT.**
- Éteindre l'appareil en appuyant sur la touche **MARCHE/ARRÊT.**
- Appuyer la touche **DÉMARRER/PAUSE** pendant 5 secondes, jusqu'à l'apparition du signal sonore.
- Allumer l'appareil en appuyant sur la touche **MARCHE/ARRÊT.**
- Le numéro de la sélection actuelle et le voyant de niveau de sel clignotent.
- Appuyer sur la touche **P** pour sélectionner le niveau de dureté désiré (voir *TABLEAU DE DURETÉ DE L'EAU*).

Level		°dH Degrés allemand	°fH Degrés français	°Clark Degrés anglais
1	Très douce	0 - 6	0 - 10	0 - 7
2	Moyenne	7 - 11	11 - 20	8 - 14
3	Douce	12 - 16	21 - 29	15 - 20
4	Dure	17 - 34	30 - 60	21 - 42
5	Très dure	35 - 50	61 - 90	43 - 62

- Éteindre l'appareil en appuyant sur la touche **MARCHE/ARRÊT.**

Le réglage est terminé !

Une fois cette opération complétée, lancez un programme sans charger le lave-vaisselle.

**Utilisez seulement le sel spécialement conçu pour les lave-vaisselle.**

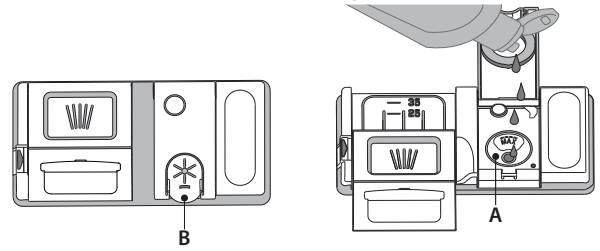
Lorsque le sel est versé dans l'appareil, le voyant AJOUTER DU SEL s'éteint.

**Si le contenant de sel n'est pas rempli, l'adoucisseur et l'élément chauffant peuvent être endommagés à cause de l'accumulation de calcaire.**

L'utilisation de sel est recommandée avec n'importe quel type de lessive pour lave-vaisselle.

### REMPILIR LE DISTRIBUTEUR DE LIQUIDE DE RINÇAGE

Le liquide de rinçage permet à la vaisselle de SÉCHER plus facilement. Le distributeur de liquide de rinçage **A** devrait être rempli lorsque le **voyant de NIVEAU DE LIQUIDE DE RINÇAGE**  est allumé à l'écran.



1. Ouvrez le distributeur **B** en appuyant et en tirant sur l'onglet sur le couvercle.
2. Versez doucement du liquide de rinçage jusqu'à la marque de référence (110 ml) du réservoir de remplissage - évitez les débordements. Si cela se produit, nettoyez les dégâts immédiatement avec un linge sec.
3. Appuyez sur le bouchon pour le fermer; un clic se fait entendre.

**Ne JAMAIS verser le liquide de rinçage directement dans la cuve.**

### AJUSTER LE DOSAGE DU LIQUIDE DE RINÇAGE

Si vous n'êtes pas complètement satisfait avec le séchage, vous pouvez ajuster la quantité de liquide de rinçage utilisée.

- Allumez le lave-vaisselle en utilisant la touche **MARCHE/ARRÊT.**
- Éteignez-le en utilisant la touche **MARCHE/ARRÊT.**
- Appuyez sur la touche **DÉMARRER/PAUSE** à trois reprises - vous entendrez un bip.
- Allumez-le en utilisant la touche **MARCHE/ARRÊT.**
- Le numéro du niveau de sélection actuelle et le voyant du niveau de liquide de rinçage clignotent.
- Appuyez sur la touche **P** pour sélectionner la quantité de liquide de rinçage qui doit être utilisée.
- Éteignez-le en utilisant la touche **MARCHE/ARRÊT**

Le réglage est terminé!

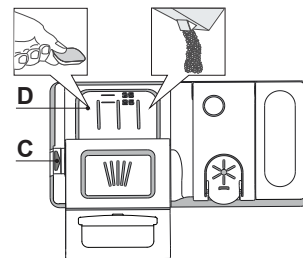
Si le niveau de liquide de rinçage est à 1 (ÉCO), il n'y aura pas de liquide de rinçage distribué. Le voyant LIQUIDE DE RINÇAGE BAS ne s'allumera pas s'il ne reste plus de liquide de rinçage.

Un maximum de 5 niveaux peuvent être réglés selon le modèle du lave-vaisselle. Les réglages d'usine sont spécifiques au modèle, merci de suivre les instructions ci-dessus pour vérifier ceux qui s'appliquent à votre machine.

- Si vous observez des traces bleuâtres sur la vaisselle, placez sur un niveau plus bas (2-3).
- Si vous observez des gouttelettes d'eau ou des traces de calcaire sur la vaisselle, placez sur un niveau plus haut (4-5).

### REMPILIR LE DISTRIBUTEUR DE DÉTERGENT

**Pour ouvrir le distributeur de détergent, utilisez le dispositif d'ouverture C. Insérez le détergent dans le distributeur sec D seulement. Placez la quantité de détergent pour le pré-lavage directement dans la cuve.**












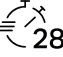











1. Lorsque vous mesurez la lessive, consultez les informations mentionnées précédemment pour ajouter la quantité correcte. À l'intérieur du distributeur **D** se trouvent des indications pour aider au dosage de la lessive.
2. Enlevez les résidus de détergent sur le bord des récipients avant de fermer le couvercle; un clic se fait entendre.
3. Fermez le couvercle du distributeur de détergent en le tirant vers le haut jusqu'à ce que le dispositif soit fermement en place.

Le distributeur de détergent s'ouvre automatiquement, au moment déterminé par le programme. Si vous utilisez un détergent « tout-en-un », nous vous conseillons d'utiliser la touche **PASTILLE**, elle ajuste le programme de façon à toujours obtenir les meilleurs résultats de lavage et séchage.

**L'utilisation d'un détergent non-conçu pour les lave-vaisselle peut provoquer un dysfonctionnement ou des dommages à l'appareil.**

# TABLEAU DES PROGRAMMES

Programme	Séchage	Auto Door	Options disponibles *)	Durée du programme de lavage (h:min)**)	Consommation d'eau (l/cycle)	Consommation d'énergie (kWh/cycle)
1. Éco ECO 50°	✓	✓	  	3:40	11,5	0,64
2. Intensif  65°	✓	✓	  	2:30	15,0	1,50
3. Mixte  55°	✓	✓	  	2:00	15,0	1,35
4. Fast&Clean 28'  45°	x	x	 	0:28	9,0	0,50
5. Extra Hygiène  65°	✓	x	 	1:40	11,5	1,30
6. Prélavage  -	x	x		0:10	4,5	0,01
7. Push&GO  50°	✓	✓		1:25	11,5	1,10

Les données du programme Éco sont mesurées sous des conditions en laboratoire conformément à la norme européenne EN 60436:2020.

Note pour les laboratoires d'essai : pour toutes informations sur les conditions d'essai comparatif EN, s'adresser à : [dw\\_test\\_support@europeanappliances.com](mailto:dw_test_support@europeanappliances.com)

Aucun prétraitement de la vaisselle n'est nécessaire avant l'un quelconque des programmes.

\*) Les options ne peuvent pas toutes être utilisées en même temps.

\*\*) Les valeurs indiquées pour des programmes différents du programme Éco sont fournis à titre indicatif uniquement. Le temps réel peut varier selon des facteurs comme la température et la pression de l'eau, la température de la pièce, la quantité de détergent, la quantité et le type de vaisselle, l'équilibre de la charge, les options supplémentaires sélectionnées, et la calibration du capteur. La calibration du capteur peut augmenter la durée du programme jusqu'à 20 minutes.

## DESCRIPTION DES PROGRAMMES

### Consignes pour la sélection du cycle de lavage.

#### 1 ÉCO

Le programme Eco est adapté pour nettoyer la vaisselle normalement sale, et pour cette utilisation, c'est le programme le plus efficace en termes d'énergie combinée et de consommation d'eau, et il est utilisé pour évaluer la conformité à la législation européenne en matière d'éco-conception.

#### 2 INTENSIF

Programme conseillé pour une vaisselle très sale, particulièrement adapté pour les poêles et les casseroles (ne pas utiliser avec la vaisselle délicate).

#### 3 MIXTE

Saleté mixte. Pour la vaisselle normalement sale avec des résidus de nourriture secs.

#### 4 FAST&CLEAN 28'

Programme à utiliser pour la demi-charge de vaisselle légèrement sale sans résidus alimentaires séchés. N'a pas de phase de séchage.

#### 5 EXTRA HYGIÈNE

Vaisselle sale ou très sale, avec lavage antibactérien supplémentaire. Peut être utilisé pour effectuer l'entretien du lave-vaisselle.

#### 6 PRÉLAVAGE

Utilisez ce programme pour rafraîchir la vaisselle qui sera lavée plus tard. N'utilisez pas de détergent avec ce programme.

#### 7 PUSH&GO

Lavage et cycle de séchage quotidiens qui assurent de bonnes performances de nettoyage pendant un court moment sans nécessité de pré-traiter la vaisselle.

#### Remarques :

Il convient de noter que le cycle Fast&Clean 28' est destiné uniquement à la vaisselle légèrement sale.

# OPTIONS ET FONCTIONS

Les OPTIONS peuvent être sélectionnées directement en appuyant sur la touche correspondante (voir PANNEAU DE COMMANDE).

**Si une option n'est pas compatible avec le programme sélectionné voir TABLEAU DES PROGRAMMES, le voyant correspondant clignote 3 fois et un bip se fait entendre. La fonction n'est pas activée.**

## 1/2 DEMI-CHARGE

S'il n'y a pas beaucoup de vaisselle à laver, la demi-charge peut être utilisée pour économiser de l'eau, de l'électricité, et du détergent. Sélectionnez le programme et appuyez sur la touche DEMI-CHARGE: le voyant s'allume. Appuyez sur la touche DEMI-CHARGE pour annuler cette option.

**N'oubliez pas de réduire la quantité de détergent de moitié.**

## PASTILLE

Ce réglage vous permet d'optimiser le rendement du programme selon le type de détergent utilisé.

Appuyez sur la touche DEMI-CHARGE pendant 3 secondes (et le symbole correspondant s'illumine) si vous utilisez un détergent sous la forme d'une pastille (liquide de rinçage, sel, et détergent en une seule dose).

**Si vous utilisez un détergent en poudre ou liquide, cette option devrait être éteinte.**

## ROBINET D'EAU FERMÉ - Alarme

Clignote lorsqu'il n'y a pas d'arrivée d'eau ou que le robinet d'eau est fermé.

## PUSH & GO

Le bouton Push&GO est un bouton facile à distinguer qui vous permet d'accéder directement au programme Push&GO, un cycle de lavage et séchage qui assure de bonnes performances de nettoyage sur un court délai.

Vous n'avez pas à vous préoccuper du programme à choisir, le cycle Push&GO fera le travail pour vous.

Pour sélectionner le programme Push&GO, allumer l'appareil, appuyer **uniquement** sur le bouton **Push&GO** pendant 3 secondes.

## DIFFÉRÉ

Le début du programme peut être retardé pour une période entre 30 minutes et 24 heures.

1. Sélectionnez un programme et les options souhaités. Appuyez sur la touche DIFFÉRÉ (plusieurs fois) pour retarder le début du programme. Réglable de 0:30 à 24 heures. Chaque fois que vous appuyez sur la touche, le départ différé est retardé de : 0:30 si la sélection est inférieure à 4 heures, 1:00 si la sélection est inférieure à 12 heures, 4 heures si la sélection est supérieure à 12 heures. Si vous appuyez sur la touche après avoir atteint 24 heures, le départ différé est désactivé.
2. Appuyez sur la touche Démarrer/Pause: la minuterie commence le compte à rebours;
3. Une fois le temps écoulé, le voyant s'éteint et le programme démarre automatiquement.

Si, pendant le compte à rebours, vous appuyez sur la touche DÉMARRER/PAUSE de nouveau, l'option DIFFÉRÉ est annulée et le programme sélectionné démarre automatiquement.

**La fonction DIFFÉRÉ ne peut pas réglée une fois le programme en cours.**

## DRAINER

Pour arrêter ou annuler le cycle en cours, vous pouvez utiliser la fonction Drainer.

Si vous appuyez un long moment sur la touche DÉMARRER/PAUSE la fonction DRAINER s'active. Le programme en cours s'arrête et l'eau dans le lave-vaisselle est vidangée.

## AUTO DOOR

*Auto Door* est un système de séchage à convection qui ouvre automatiquement la porte pendant/après la phase de séchage pour assurer une performance de séchage exceptionnelle

chaque jour.

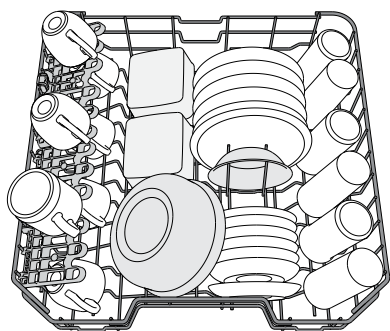
La porte s'ouvre à la température qui est sûre pour les meubles de votre cuisine. À titre de protection supplémentaire contre la vapeur, une feuille de protection spécifiquement conçue est ajoutée avec le lave-vaisselle (en fonction du type de modèle - il peut être nécessaire de l'acheter). Pour voir comment monter la feuille de protection, consulter le (GUIDE D'INSTALLATION).

La fonctionnalité *Auto Door* pourrait être désactivée par l'utilisateur comme suit:

- Pour DÉSACTIVER : allumer, puis éteindre la machine. Maintenir le bouton **P** enfoncé pendant 5 s, au bout desquelles le lave-vaisselle émet un bip court. Allumer la machine, l'écran affiche „oOF”.
- Pour ACTIVER : allumer, puis éteindre la machine. Maintenir le bouton **P** enfoncé pendant 5 s, au bout desquelles le lave-vaisselle émet un bip court. Allumer la machine, l'écran affiche „oOn”.

# CHARGEMENT DES PANIERS

## PANIER SUPÉRIEUR



(exemple de chargement du panier supérieur)

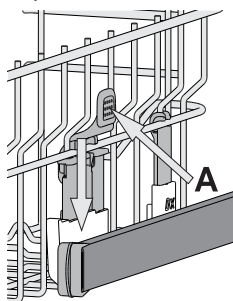
Chargez la vaisselle délicate et légère: verres, tasses, soucoupes, saladiers verres, tasses, petits saladiers.

## AJUSTER LA HAUTEUR DU PANIER SUPÉRIEUR

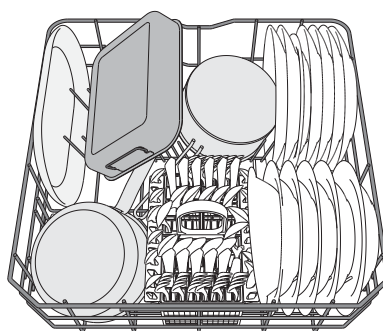
Vous pouvez ajuster la hauteur du panier supérieur : position élevée pour placer la vaisselle encombrante sur le panier inférieur et éviter les chocs avec le panier supérieur ; en créant plus d'espace en hauteur.

Le panier supérieur comprend un **dispositif de réglage de la hauteur** (voir figure). Sans appuyer sur les leviers, soulevez simplement le panier supérieur en le tenant par les côtés jusqu'à ce qu'il soit stable en position élevée. Pour abaisser le panier, appuyez sur les leviers **A** sur les côtés du panier et déplacez-le vers le bas. **Nous vous conseillons fortement de ne pas ajuster la hauteur du panier lorsqu'il est chargé.**

**Ne JAMAIS soulever ou abaisser un seul côté du panier.**



## PANIER INFÉRIEUR



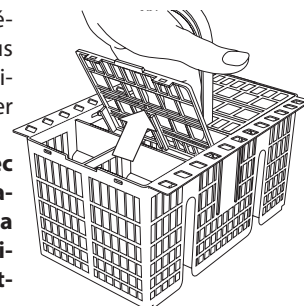
(exemple de chargement du panier inférieur)

Pour les poêles, les couvercles, les plats, les saladiers, les couverts, etc. Les grands plats et les grands couvercles devraient être placés sur le côté pour éviter qu'ils n'entravent le fonctionnement des bras d'aspersion.

## PANIER À COUVERT

Le panier comprend des grilles supérieures pour placer les couverts plus facilement. Le panier à couvert doit uniquement être placé à l'avant du panier inférieur.

**Les couteaux et autres ustensiles avec des bords tranchants doivent être placés dans le panier à couvert avec la pointe vers le bas, ou placés à l'horizontale dans le compartiment rabattable sur le panier supérieur.**



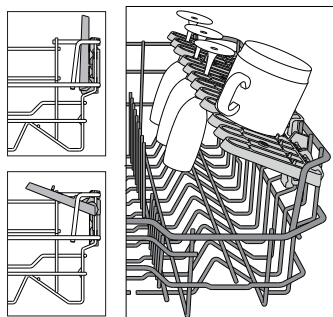
## VOLETS PLIABLES À POSITION RÉGLABLE

Les volets pliables latéraux peuvent être pliés ou dépliés afin d'optimiser la disposition de la vaisselle à l'intérieur du panier.

Les verres de vin peuvent être placés de façon sécuritaire dans les volets pliables en insérant le pied de chaque verre dans la fente correspondante.

Selon le modèle :

- pour déplier les volets, il est nécessaire de les coulisser vers le haut et de les tourner ou de les libérer des fixations et de les tirer vers le bas.
- pour replier les volets, il est nécessaire de les tourner et de les faire coulisser vers le bas ou de les tirer vers le haut et de les accrocher aux fixations.



# UTILISATION QUOTIDIENNE

## 1. VÉRIFIER LE BRANCHEMENT DE L'EAU

Assurez-vous que l'appareil est raccordé à un réseau d'alimentation et que le robinet de l'eau est ouvert.

## 2. ALLUMER LE LAVE-VAISSELLE

Appuyez sur la touche **MARCHE/ARRÊT**.

## 3. CHARGER LES PANIERS

(voir **CHARGEMENT DES PANIERS**).

## 4. REMPLIR LE DISTRIBUTEUR DE DÉTERGENT

## 5. CHOISIR LE PROGRAMME ET PERSONNALISER LE CYCLE

Sélectionnez le meilleur programme selon le type de vaisselle et le niveau de saleté (voir **DESCRIPTION DES PROGRAMMES**) en appuyant sur la touche **P**.

Sélectionnez les options désirées (voir **OPTIONS ET FONCTIONS**).

## 6. DÉMARRER

Démarrez le cycle de lavage en appuyant sur la touche **DÉMARRER/PAUSE**. Vous entendez un bip lorsque le programme démarre.

## 7. FIN DU CYCLE DE LAVAGE

La fin du cycle est indiquée par les bips et l'affichage indique **END**. Ouvrez la porte et éteignez l'appareil en appuyant sur la touche **MARCHE/ARRÊT**.

Pour éviter de vous brûler, attendez quelques minutes avant de retirer la vaisselle. Déchargez les paniers en commençant par le premier inférieur.

L'appareil s'éteint automatiquement durant des périodes

d'inactivité prolongées pour réduire la consommation d'énergie.

Si la vaisselle est légèrement sale ou si elle a été rincée avec à l'eau avant d'être placée dans le lave-vaisselle, réduisez la quantité de détergent utilisée en conséquence.

## ODIFIER UN PROGRAMME EN COURS

Si vous avez sélectionné le mauvais programme, vous pouvez le changer si c'est fait au début du cycle : appuyez sur la touche **MARCHE/ARRÊT** pour éteindre l'appareil.

Rallumez l'appareil en appuyant sur la touche **MARCHE/ARRÊT** et sélectionnez le nouveau cycle de lavage et les options désirées; démarrez le cycle en appuyez sur la touche **DÉMARRER/PAUSE**.

## AJOUTER DE LA VAISSELLE

Sans éteindre l'appareil, ouvrez la porte (**attention à la vapeur CHAUDE!**) et placez la vaisselle à l'intérieur du lave-vaisselle. Fermez la porte et appuyez sur la touche **DÉMARRER/PAUSE**, le cycle démarre au point où il a été interrompu.

## INTERRUPTIONS IMPRÉVUES

Si la porte est ouverte durant le cycle de lavage, ou s'il y a une panne de courant, le cycle s'interrompt. Une fois la porte refermée ou le courant électrique restauré, pour redémarrer le cycle à partir du point où il a été interrompu, appuyez sur la touche **DÉMARRER/PAUSE**.

Pour désactiver le **MODE DEMO**, les actions suivantes doivent être réalisées dans l'ordre, sans interruptions. Allumez la machine puis rééteignez-la. Appuyez sur le bouton **DIFFÉRÉ** jusqu'à ce que le signal sonore retentisse. Rallumez la machine. Le témoin "**dOF**" clignote puis s'éteint.

# AVIS ET CONSEILS

## CONSEILS

Avant de charger les paniers, enlevez tous les résidus de nourriture sur la vaisselle et videz les verres. **Vous n'avez pas besoin de rincer la vaisselle avant de la placer dans le lave-vaisselle.**

Placez la vaisselle pour qu'elle tienne bien en place et ne risque pas de tomber; et placez les récipients avec les ouvertures vers le bas et les parties concaves/convexes de côté pour permettre à l'eau d'atteindre toutes les surfaces et couler librement.

**Avertissement:** Vérifiez que les couvercles, poignées et poêle à frire n'empêchent pas les bras d'aspersion de tourner librement. Placez les petits articles dans le panier à couvert. La vaisselle et les casseroles très sales devraient être placées sur le panier inférieur car les jets d'eau sont plus forts dans cette section et permet un meilleur rendement lors du lavage. Après avoir chargé l'appareil, assurez-vous que les bras d'aspersion peuvent bouger librement.

## VAISSELLE QUI NE CONVIENT PAS

- Vaisselle et couverts en bois.
- Verres décoratifs délicats, produits artisanaux, et vaisselle antique. Les garnitures ne sont pas résistantes.
- Les pièces en matériel synthétique qui ne supportent pas les hautes températures.
- La vaisselle en cuivre ou en étain.
- La vaisselle tachée de cendre, de cire, de graisse lubrifiante, ou d'encr.

Les couleurs des garnitures de verre et des pièces d'aluminium/argent peuvent changer et ternir durant le cycle de lavage. Certains types de verre (p. ex. les objets en cristal) peuvent aussi devenir opaque après plusieurs cycles de lavage.

## VERRES ET VAISSELLE ENDOMMAGÉS

- Seulement utiliser des verres ou de la porcelaine qui sont lavables au lave-vaisselle conformément aux recommandations du fabricant.
- Utilisez un détergent doux, adéquat pour la vaisselle.
- Retirez les verres et les couverts du lave-vaisselle aussitôt que le cycle de lavage est terminé

## ASTUCES SUR L'ÉCONOMIE D'ÉNERGIE

- Lorsque le lave-vaisselle domestique est utilisé conformément aux instructions du fabricant, **le lavage de la vaisselle dans un lave-vaisselle consomme habituellement MOINS D'ÉNERGIE et d'eau que le lavage à la main.**
- Afin d'optimiser l'efficacité du lave-vaisselle, il est recommandé de **débuter le cycle de lavage une fois que le lave-vaisselle est totalement chargé.** Le chargement du lave-vaisselle domestique jusqu'à la capacité indiquée par le fabricant contribuera à économiser de l'énergie et de l'eau. Vous trouverez des informations sur le chargement correct de la vaisselle dans le chapitre **CHARGEMENT DES PANIERS**. En cas de chargement partiel, il est recommandé d'utiliser des options de lavage spécifiques si elles sont disponibles (Demi-charge / Zone Wash/ Multizone), en remplissant uniquement les paniers sélectionnés. Un chargement incorrect ou une surcharge du lave-vaisselle peut augmenter l'utilisation des ressources (telles que l'eau, l'énergie et le temps, et augmenter le niveau de bruit), en réduisant les performances de nettoyage et de séchage.
- Un prérinçage manuel des éléments de vaisselle provoque une augmentation de la consommation d'eau et d'énergie et n'est pas recommandé.

## HYGIÈNE

Pour éviter les odeurs et les dépôts qui pourraient s'accumuler dans le lave-vaisselle, **lancer un programme à haute température au moins une fois par mois.** Utilisez une cuillère à café de détergent et lancer le programme sans vaisselle pour nettoyer l'appareil.

# NETTOYAGE ET ENTRETIEN

## NETTOYER L'ENSEMBLE FILTRE

Nettoyez régulièrement l'ensemble filtre pour éviter qu'il ne se bouche et pour permettre aux eaux usées de bien s'éliminer.

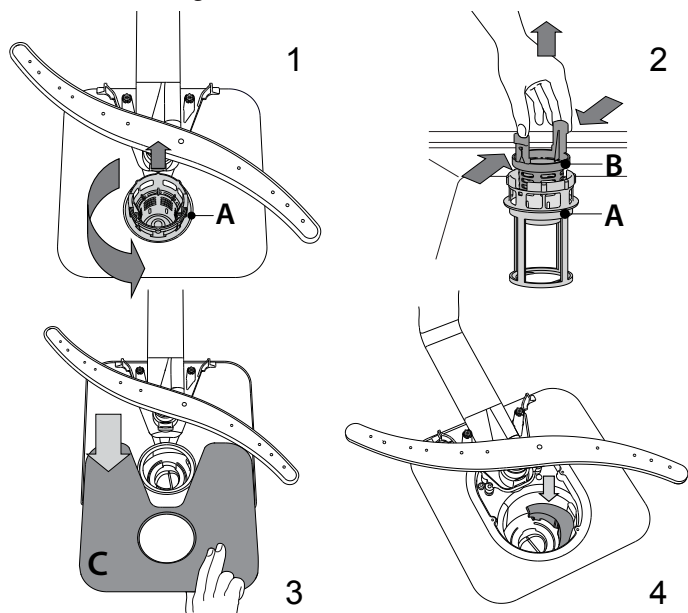
L'utilisation du lave-vaisselle avec des filtres obstrués ou des corps étrangers à l'intérieur du système de filtration ou des bras de lavage peut provoquer un dysfonctionnement du lave-vaisselle en réduisant l'efficacité de lavage, en augmentant le bruit de fonctionnement et la consommation d'électricité.

L'ensemble filtre comprend trois filtres qui séparent les résidus de nourriture de l'eau de lavage pour ensuite faire circuler l'eau.

**N'utilisez pas le lave-vaisselle sans les filtres ou si un filtre est mal ajusté.**

Au moins une fois par mois ou tous les 30 cycles, vérifiez l'assemblage du filtre et si nécessaire, nettoyez-le minutieusement sous l'eau courante, en utilisant une brosse non-métallique et en suivant les instructions ci-dessous :

1. Tournez le filtre cylindrique **A** dans le sens antihoraire et retirez-le (Fig. 1).
2. Enlevez le panier du filtre **B** en appliquant une légère pression sur les volets latéraux (Fig. 2).
3. Retirez la plaque du filtre en acier inoxydable **C** (Fig. 3).
4. Si vous trouvez des objets étrangers (comme du verre brisé, de la porcelaine, des os, des pépins de fruits, etc), enlevez-les minutieusement.
5. Inspecter la cavité et enlever les résidus de nourriture. **NE JAMAIS ENLEVER** la protection de la pompe du cycle de lavage (détails en couleur noir) (Fig 4).



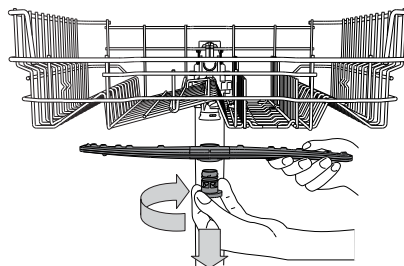
Après avoir nettoyé les filtres, assemblez de nouveau l'ensemble filtre et remettez-le en place correctement; c'est très important pour que le lave-vaisselle garde son efficacité.

## NETTOYER LE TUYAU D'ARRIVÉE D'EAU

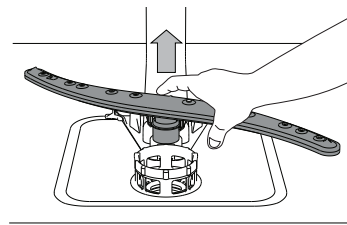
Si les tuyaux d'eau sont neufs ou s'ils n'ont pas été utilisés depuis longtemps, laissez l'eau couler pour vous assurer qu'il n'y a pas d'impureté ou de saleté avant de les brancher. Si vous n'effectuez pas cette opération, l'arrivée d'eau pourrait se boucher et endommager le lave-vaisselle.

## NETTOYER LES BRAS D'ASPERSION

À l'occasion, des résidus de nourriture s'incrustent dans les bras d'aspersion et bloquent les trous utilisés pour asperger de l'eau. Il est donc conseillé de vérifier les bras de temps en temps et de les nettoyer avec une petite brosse non métallique.



Pour enlever le bras d'aspersion supérieur, tournez l'anneau de verrouillage en plastique dans le sens horaire. Le bras d'aspersion supérieur doit être replacé de façon que le côté avec le plus grand nombre de trous est placé vers le haut.



Le bras d'aspersion inférieur peut être enlevé en le tirant vers le haut.

## SYSTÈME ADOUCISSEUR D'EAU

L'adoucisseur d'eau réduit automatiquement la dureté de l'eau, en empêchant ainsi la formation de calcaire sur la résistance, et en contribuant également à une meilleure performance de nettoyage.

**Ce système se régénère avec du sel, il est donc nécessaire de remplir le bac de sel lorsqu'il est vide.**




La fréquence de régénération dépend du réglage du niveau de dureté de l'eau - la régénération a lieu une fois tous les 5 cycles Eco avec un niveau de dureté de l'eau réglé à 3.

Le processus de régénération débute lors du rinçage final et se termine en phase de séchage avant la fin du cycle.

- Une régénération simple consomme : ~3,5 L d'eau ;
- Prend jusqu'à 5 minutes supplémentaires pour le cycle ;
- Consomme moins de 0,005 kWh d'énergie.

# DÉPANNAGE

Si votre lave-vaisselle ne fonctionne pas correctement, vérifiez si le problème peut être résolu en suivant la liste ci-après. Pour d'autres erreurs ou problèmes, contactez le Service après-vente agréé dont les coordonnées peuvent être trouvées dans le livret de garantie. Les pièces de rechange seront disponibles pour une période allant jusqu'à 7 ou jusqu'à 10 ans, selon les exigences spécifiques du règlement.

PROBLÈMES	CAUSES POSSIBLES	SOLUTIONS
 L'indicateur de sel est allumé	Le réservoir de sel est vide. (Après le remplissage, il est possible que le voyant du niveau de sel régénérant ne s'éteigne qu'au bout de plusieurs cycles de lavage).	Remplissez le réservoir de sel régénérant (pour plus d'informations, reportez-vous à la page 2). Réglez la dureté de l'eau - reportez-vous au tableau de la page 2.
 Le voyant de liquide de rinçage est allumé	Le distributeur de liquide de rinçage est vide. (Après le remplissage, il est possible que le voyant du niveau de liquide de rinçage ne s'éteigne qu'au bout de plusieurs cycles de lavage).	Remplissez le distributeur de liquide de rinçage (pour plus d'informations, reportez-vous à la page 2).
Le lave-vaisselle ou les commandes ne fonctionnent pas.	L'appareil n'est pas bien branché.	Insérez la fiche dans la prise de courant.
	Panne de courant.	Pour des raisons de sécurité, le lave-vaisselle ne redémarrera pas automatiquement lors du retour de l'alimentation électrique. Appuyez sur le bouton DEPART/Pause pour reprendre le cycle.
	La porte du lave-vaisselle n'est pas fermée. La tige du système Auto Door n'est pas rentrée.	Poussez vigoureusement la porte pour entendre le « clic ».
	Le cycle est interrompu par une ouverture de la porte supérieure à 4 secondes.	Fermez la porte et appuyez sur la touche Depart/Pause.
Le lave-vaisselle fait beaucoup de bruit. L'afficheur indique : <b>F9</b> ou <b>F12</b> et les voyants Marche/Arrêt et Depart/Pause clignotent rapidement.	Les commandes ne fonctionnent pas. L'afficheur indique : <b>F9</b> ou <b>F12</b> et les voyants Marche/Arrêt et Depart/Pause clignotent rapidement.	Éteindre l'appareil en appuyant sur la touche MARCHE/ARRÊT, rallumez-le environ une minute après, et relancez le programme. Si le problème persiste, débranchez l'appareil pendant 1 minute, puis rebranchez-le
	Le cycle de lavage n'est pas encore terminé.	Attendre que le cycle se termine.
	Le tuyau de vidange est plié.	Assurez-vous que le tuyau de vidange n'est pas plié (voir <i>CONSIGNES D'INSTALLATION</i> ).
	Le conduit de vidange de l'évier est bouché.	Nettoyez le conduit de vidange de l'évier.
Le lave-vaisselle fait beaucoup de bruit.	Le filtre est bouché par des résidus de nourriture	Nettoyez le filtre (voir <i>NETTOYAGE DE L'ENSEMBLE FILTRE</i> ).
	La vaisselle s'entrechoque.	Remplacez la vaisselle (voir <i>CHARGEMENT DES PANIERS</i> ).
La vaisselle n'est pas propre.	Il y a une trop grande quantité de mousse.	Le détergent a été mal mesuré ou il n'est pas adéquat pour les lave-vaisselles (voir <i>REMPLIR LE DISTRIBUTEUR DE DÉTERGENT</i> ). Relancez le lave-vaisselle en appuyant sur la touche DRAINER (voir <i>OPTIONS ET FONCTIONS</i> ) et lancez un nouveau programme sans détergent.
	La vaisselle n'est pas bien placée.	Remplacez la vaisselle (voir <i>CHARGEMENT DES PANIERS</i> ).
	Les bras d'aspersion ne bougent pas librement, ils sont gênés par la vaisselle.	Remplacez la vaisselle (voir <i>CHARGEMENT DES PANIERS</i> ).
	Le cycle de lavage n'est pas assez intensif.	Sélectionnez le cycle de lavage approprié (voir <i>TABLEAU DES PROGRAMMES</i> ).
L'eau n'arrive pas au lave-vaisselle. L'afficheur indique :  et <b>F6</b> et les voyants Marche/arrêt et Depart/Pause clignotent rapidement.	Il y a une trop grande quantité de mousse.	Le détergent a été mal mesuré ou il n'est pas adéquat pour les lave-vaisselle (voir <i>REMPLIR LE DISTRIBUTEUR DE DÉTERGENT</i> ).
	Le bouchon du compartiment de liquide de rinçage n'est pas bien fermé.	Assurez-vous que le bouchon du distributeur de liquide de rinçage est fermé.
	Le filtre est sale ou bouché.	Nettoyez l'ensemble de filtre (voir <i>NETTOYAGE ET ENTRETIEN</i> ).
	Il n'y a pas de sel.	Remplir le réservoir de sel (voir <i>REMPLIR LE RÉSERVOIR DE SEL</i> ).
Le lave-vaisselle termine le cycle prématurément. L'afficheur indique : <b>F15</b> et les voyants Marche/arrêt et Depart/Pause clignotent rapidement.	L'alimentation d'eau est vide ou le robinet est fermé.	Assurez-vous qu'il y a de l'eau dans le circuit d'alimentation ou que le robinet est ouvert.
	Le tuyau d'arrivée est plié.	Assurez-vous que le tuyau d'entrée n'est pas plié (voir <i>INSTALLATION</i> ) reprogrammez le lave-vaisselle et relancez-le.
	Le tamis dans le tuyau d'arrivée d'eau est obstrué; il est nécessaire de le nettoyer.	Après avoir complété la vérification et le nettoyage, éteignez et rallumez le lave-vaisselle et redémarrez le programme.
La fuite de détergent.	Le tuyau de vidange est positionné trop bas ou se vide dans le système d'évacuation domestique.	Vérifiez si l'extrémité du tuyau de vidange est placée à la hauteur correcte (voir <i>INSTALLATION</i> ). Vérifiez la vidange dans le système d'évacuation domestique, installez une vanne d'admission d'air si nécessaire.
	De l'air est présent dans l'alimentation en eau.	Vérifiez si l'alimentation en eau présente des fuites ou d'autres problèmes laissant entrer de l'air.
	Dépend du détergent liquide utilisé et peut être accentuée en cas d'activation de l'option de retardement.	Les petites fuites n'entraînent pas de dysfonctionnement de la machine et peuvent être évitées en changeant de type de détergent liquide ou en utilisant des tablettes.

**Vous trouverez les documents normatifs, la documentation standard, le classement des pièces de rechange et des informations supplémentaires sur les produits:**

- En utilisant le QR code sur votre produit.
- En visitant notre site web [docs.indesit.eu](https://docs.indesit.eu) et [parts-selfservice.europeanappliances.com](https://parts-selfservice.europeanappliances.com)
- Vous pouvez également **contacter notre Service après-vente** (voir numéro de téléphone dans le livret de garantie). Lorsque vous contactez notre Service après-vente, veuillez indiquer les codes figurant sur la plaque signalétique de l'appareil.

Les informations relatives au modèle peuvent être trouvées en utilisant le QR-Code figurant sur l'étiquette énergétique. L'étiquette comprend également l'identifiant du modèle qui peut être utilisé pour consulter le portail du registre sur le site <https://eprel.ec.europa.eu>.

