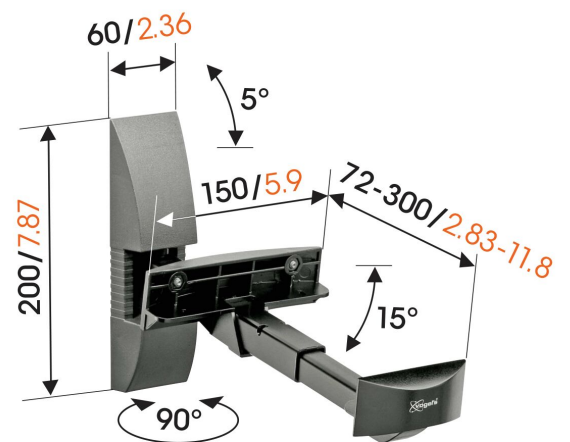


## VLB 200 Speaker Wall Mounts (2x)

### Key Benefits

- No screws required, due to the clamping construction
- For medium-size speakers
- Create the best listening position

Wall mount your bookshelf speaker (up to 20kg) without screwing into the speaker.



mm/inch



## VLB 200 Speaker Wall Mounts (2x)



## Specifications

Article number (SKU)	8120200
Colour	Black
EAN single box	8712285001024
TÜV certified	No
Tilt	Tilt up to 15°
Turn	Up to 90°
Guarantee	5 years
Max. weight load (kg/Lbs)	20 / 44.09
Speaker brand	Universal
Speaker models	Universal

VOGEL'S HOLDING BV (©)

All rights reserved.  
Subject to printing errors,  
technical and price  
amendments.

Date: 2023-01-14