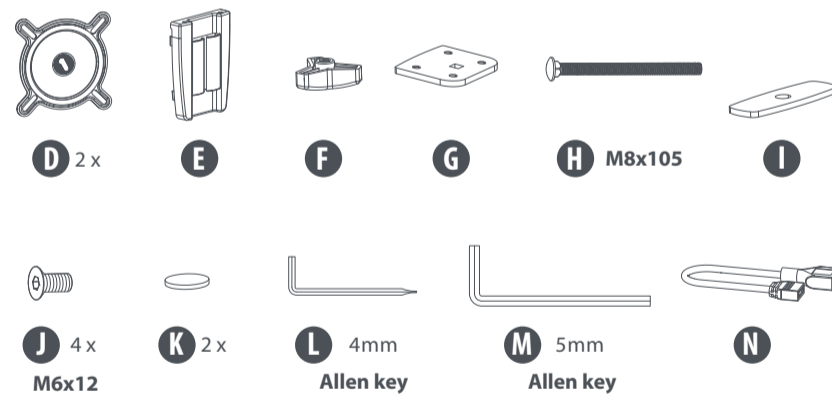
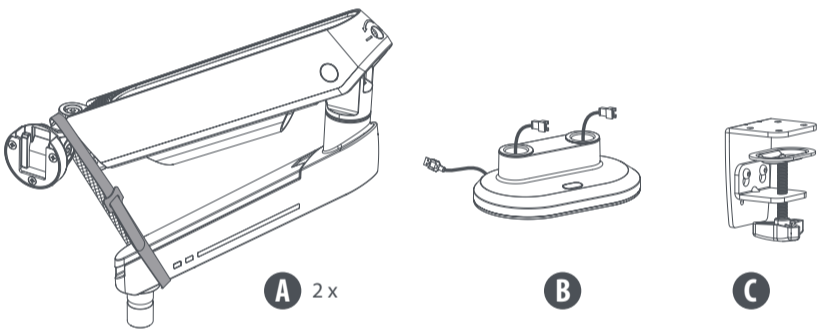
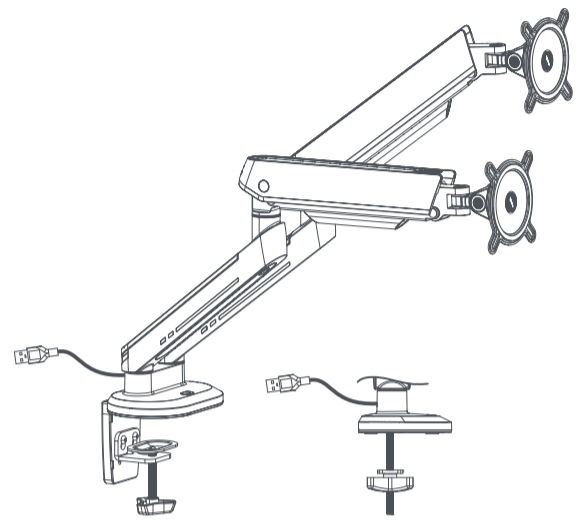


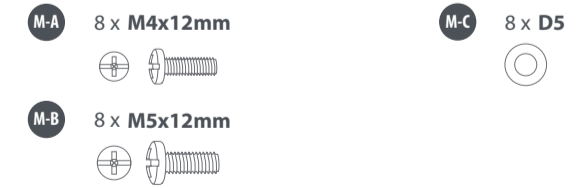




Universal  
100 x 100 max



**Package M**



http://www.oneforall.com/documents

Universal Electronics, BV - Europe & International  
P.O. Box 3332, 7500 DH Enschede  
RDN-1200225

**START**

**1**

**2a** **CLAMP INSTALLATION**  
For 10-55mm thickness desks

**Note:** Manage the USB cables as shown prior to the grommet or clamp installation.

**2b** **GROMMET INSTALLATION**  
Desktop with Existing Through-Hole.

**3** **Stored energy hazard!**  
1. Firmly hold the two halves of the spring arm together and have another person loosen and remove the hook-and-loop fastener from around the spring arm.  
2. Slowly release the pressure on the spring arm and allow it to gradually stretch to its full extension.

**4** **CAUTION:** Do not release the monitor immediately after hanging and wait until you are sure it is stable in its position to prevent injury to personnel or equipment. If the arm rises or falls, refer to the next step for adjustment.

**5** **UNLOCK**  
**LOCK**

**6**

**7** **Button Function of Lighting:**  
1. **On/Off:** Press and hold it for 2 seconds  
2. **Light Mode Switch:** Quick press to the next light mode (20 modes in total)  
3. **Random Color Mode:** Quick double press  
4. **Memory Setting:** The system stores light setting last time automatically

**ARGB Signal Input from External Device:**  
Connect to external lighting control devices with a 5V 3-pin ARGB interface. (Use the Adapter Cable **N** in the accessory package for connection.)

**ARGB Signal Input from ONE FOR ALL ARGB Hub**  
Connect to the slave USB port of the Controller. (The ONE FOR ALL ARGB Hub is not included in the package.)

**CAUTION: DO NOT** over tighten the screws.

**2b** **GROMMET INSTALLATION**  
Desktop with Existing Through-Hole.

**3** **Stored energy hazard!**  
1. Firmly hold the two halves of the spring arm together and have another person loosen and remove the hook-and-loop fastener from around the spring arm.  
2. Slowly release the pressure on the spring arm and allow it to gradually stretch to its full extension.

**4** **CAUTION:** Do not release the monitor immediately after hanging and wait until you are sure it is stable in its position to prevent injury to personnel or equipment. If the arm rises or falls, refer to the next step for adjustment.

**5** **UNLOCK**  
**LOCK**

**6**

**7** **Button Function of Lighting:**  
1. **On/Off:** Press and hold it for 2 seconds  
2. **Light Mode Switch:** Quick press to the next light mode (20 modes in total)  
3. **Random Color Mode:** Quick double press  
4. **Memory Setting:** The system stores light setting last time automatically

**ARGB Signal Input from External Device:**  
Connect to external lighting control devices with a 5V 3-pin ARGB interface. (Use the Adapter Cable **N** in the accessory package for connection.)

**ARGB Signal Input from ONE FOR ALL ARGB Hub**  
Connect to the slave USB port of the Controller. (The ONE FOR ALL ARGB Hub is not included in the package.)

**CAUTION: DO NOT** over tighten the screws.

**4**

**5** **UNLOCK**  
**LOCK**

**6**

**7** **Button Function of Lighting:**  
1. **On/Off:** Press and hold it for 2 seconds  
2. **Light Mode Switch:** Quick press to the next light mode (20 modes in total)  
3. **Random Color Mode:** Quick double press  
4. **Memory Setting:** The system stores light setting last time automatically

**ARGB Signal Input from External Device:**  
Connect to external lighting control devices with a 5V 3-pin ARGB interface. (Use the Adapter Cable **N** in the accessory package for connection.)

**ARGB Signal Input from ONE FOR ALL ARGB Hub**  
Connect to the slave USB port of the Controller. (The ONE FOR ALL ARGB Hub is not included in the package.)

**CAUTION: DO NOT** over tighten the screws.

**FINISH**