

PHILIPS

hue personal wireless lighting

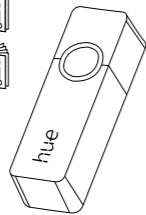
Secure contact sensor



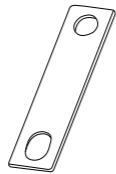
User manual
Benutzerhandbuch
Notice d'emploi
Manual de usuario
Manual do usuário
Manuale d'uso

Incl.

A
B



1 x Sensor



1 x tape

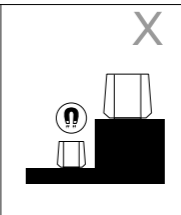
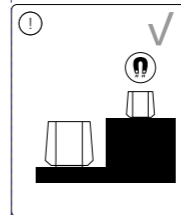
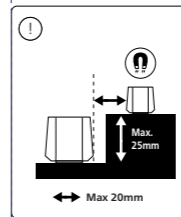
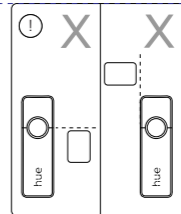
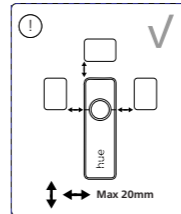
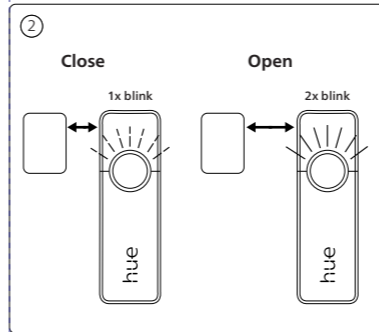
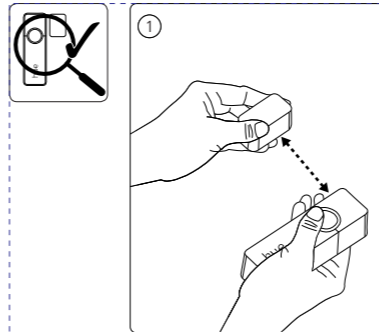
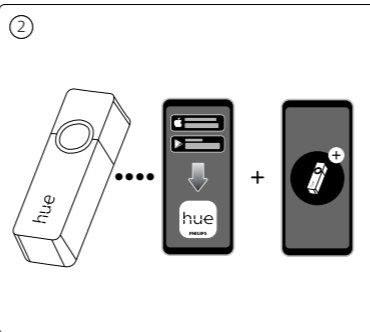
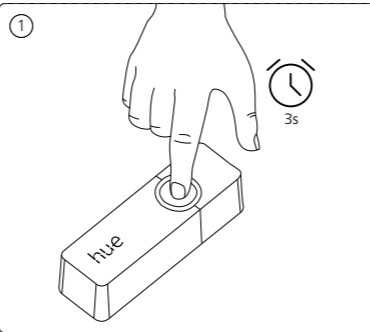
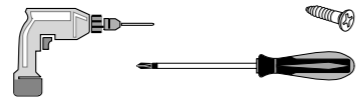


1 x CR2 Battery



1 x Magnet incl. tape

Excl.



Signify
I.B.R.S. / C.C.R.I. Numéro 10461
5600 VB Eindhoven,
the Netherlands
00800-74454775

© 2022 Signify Holding
All rights reserved

www.philips-hue.com

3222 639 10691
Last update: 07/2022

