

SEGWAY
Segway Portable Power Station
CUBE-1000 / CUBE-2000



Raccolta Carta

XX
CE.04.00.0833.02-A

————— User Manual —————
Original instructions

Contents

1. Safety Instructions	01
2. Packing List	04
3. Product Overview	05
4. How to Use the Power Station	09
5. How to Recharge the Power Station	12
6. Settings	15
7. App User Guide	17
8. Specifications	19
9. Troubleshooting	20
10. Certification	21
11. Trademark and Legal Statement	22
Appendix: Battery Expansion	24

1 Safety Instructions

IMPORTANT SAFETY INSTRUCTIONS

- WARNING – When using this product, basic precautions should always be followed, including the following:
- Read all the instructions before using the product.
- To reduce the risk of injury, close supervision is necessary when the product is used near children.
- Do not put fingers or hands into the product.
- Use of an attachment not recommended or sold by power pack manufacturer may result in a risk of fire, electric shock, or injury to persons.
- To reduce risk of damage to the electric plug and cord, pull the plug rather than the cord when disconnecting the power pack.
- Do not use a battery pack or appliance that is damaged or modified. Damaged or modified batteries may exhibit unpredictable behavior resulting in fire, explosion or risk of injury.
- Do not operate the power pack with a damaged cord or plug, or a damaged output cable.
- Do not disassemble the power pack, take it to a qualified service person when service or repair is required. Incorrect reassembly may result in a risk of fire or electric shock.
- To reduce the risk of electric shock, unplug the power pack from the outlet before attempting any instructed servicing.
- When charging the internal battery, work in a well ventilated area and do not restrict ventilation in any way.
- Under abusive conditions, liquid may be ejected from the battery; avoid contact. If contact accidentally occurs, flush with water. If liquid contacts eyes, additionally seek medical help. Liquid ejected from the battery may cause irritation or burns.
- Do not expose a power pack to fire or excessive temperature. Exposure to fire or temperature above 265°F (130°C) may cause explosion.
- Have servicing performed by a qualified repair person using only identical replacement parts. This will ensure that the safety of the product is maintained.
- Do not expose the product to sources of ignition or high temperatures, such as high heat vehicles or direct sunlight.
- Keep the product dry and do not immerse it in water or subject it to moisture. Do not use the product in rainy or humid environments.
- Avoid using the product in a strong static/magnetic field environment.
- When using the product, please follow the operating ambient temperature specified in the user manual. If the temperature is too high, it may cause a fire or explosion; if the temperature is too low, it may seriously degrade the performance of the product or stop the product from working.
- When storing the product for a long time, place it in a dry and ventilated place.

- Avoid obstructing the fan or placing the product in an unventilated or dusty area.
- Do not disassemble the product or pierce the product with sharp objects.
- Avoid impact, falling or violent vibration. If a serious impact occurs, please turn off the power and stop using the product immediately.
- Avoid using wires or other metal objects that may cause a short circuit.
- Do not use damaged cords, plugs or output cables to connect this product to avoid electric shock.
- Do not use unofficial components or accessories. If you need to replace any component or accessory, consult the official Segway channel.
- Do not stack heavy objects on the product.
- Do not place the product on an unstable surface to prevent the product from tipping over or falling.
- Ensure that the product is kept out of the reach of children and pets.
- This product is not recommended for powering medical emergency equipment related to personal safety, including medical grade ventilators and artificial lungs. If you need to power this product, follow your doctor's instructions and consult the manufacturer. If used for general medical equipment, make sure the power supply is in proper condition.
- When using this product, the power supply generates electromagnetic fields that may interfere with the proper operation of medical implants or personal medical devices such as pacemakers, cochlear implants, hearing aids, defibrillators, etc. If these devices are being used, please contact the manufacturer for restrictions on the use of these devices to ensure that medical implants are kept at a safe distance from this product during use.
- Risk of Electric Shock. Never use power pack to supply power tools to cut or access to live parts or live wirings, or materials that may contain live parts or live wirings inside, such as building walls, etc.

SAVE THESE INSTRUCTIONS

GROUNDING INSTRUCTIONS

This product must be grounded. If it should malfunction or breakdown, grounding provides a path of least resistance for electric current to reduce the risk of electric shock. This product is equipped with a cord having an equipment grounding conductor and a grounding plug. The plug must be plugged into an outlet that is properly installed and grounded in accordance with all local codes ordinances.

WARNING – Improper connection of the equipment grounding conductor is able to result in a risk of electric shock. Check with a qualified electrician if you are in doubt as to whether the product is properly grounded. Do not modify the plug provided with the product – if it will not fit the outlet, have a proper outlet installed by a qualified electrician.

Daily Maintenance

If the product is not in use for over 30 days, please fully charge it and place it in a cool and dry place for storage. If not charged maximum in 6 months, there are enough chances that battery might be damaged.

Battery Disposal Guidelines

- When disposing of the battery, make sure that it is fully discharged and place it in the designated battery recycling bin.
- The battery of this product contains chemical substances and is strictly prohibited to be disposed of in the general trash. Please follow local laws and regulations for battery recycling and disposal.
- If the battery cannot be fully discharged due to product failure, please do not dispose of the battery directly in the battery recycling bin. Please contact a professional battery recycling company for further disposal.

Safety Precautions When Charging

- When using two or more solar panels to recharge the product, please use the same type of solar panel. The product can be connected with one, two, or four solar panels. When using four solar panels to recharge the product, make sure the connection between the solar panels is two in series and two in parallel.
- Do not recharge the product with car charging cables and solar panels at the same time, which may damage the fuse.
- It is recommended to use Segway Accessories - Segway Solar Panel SP for solar charging. Use of other brands of solar panels may cause damage for which we are not responsible.

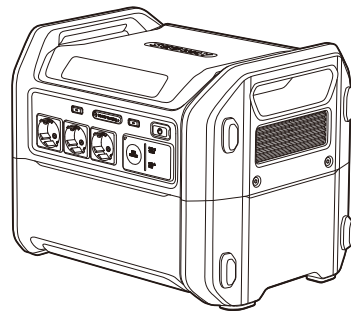
High Temperature Warning

The product temperature may be too high for powering high-power electric appliances for a long time, and the high-temperature protection may be triggered. For battery safety, the product will automatically limit the output power to lower the temperature. If the limit was reached, the output will be cut off and the charge function will be unavailable. Please stop using the high power loads immediately if this warning appears, cool down the product, then try to use it again.

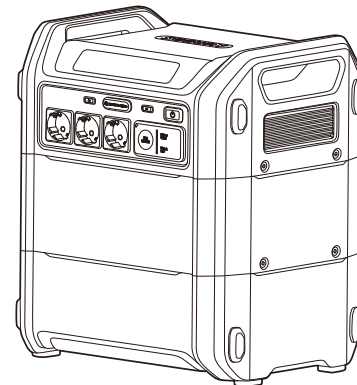
We take your safety and the protection of our products very seriously. If you have any questions or suggestions, please contact Segway Customer Service.

2 Packing List

Segway Portable Power Station:

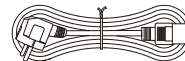


CUBE-1000 x 1



CUBE-2000 x 1

Accessories:



AC Charging Cable x 1



Car Charging Cable x 1



3 mm
Allen Wrench x 1

* For CUBE-2000 only

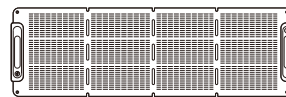


User Manual x 1

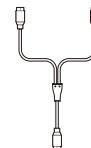


Warranty Policy x 1

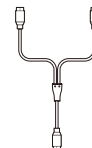
Separately Sold Accessories:



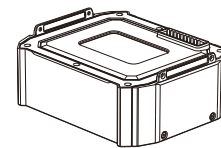
Segway Solar Panel SP



Serial Connector



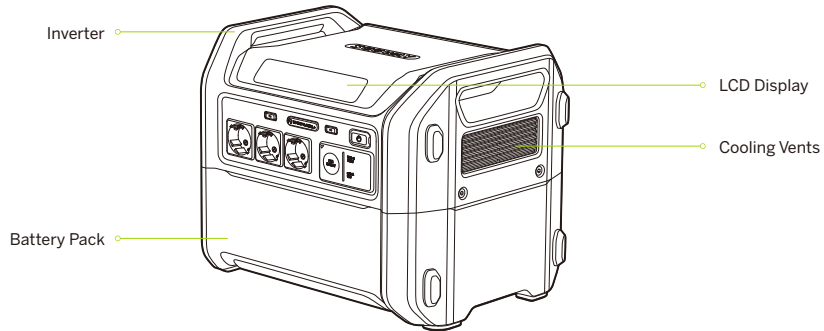
Parallel Connector



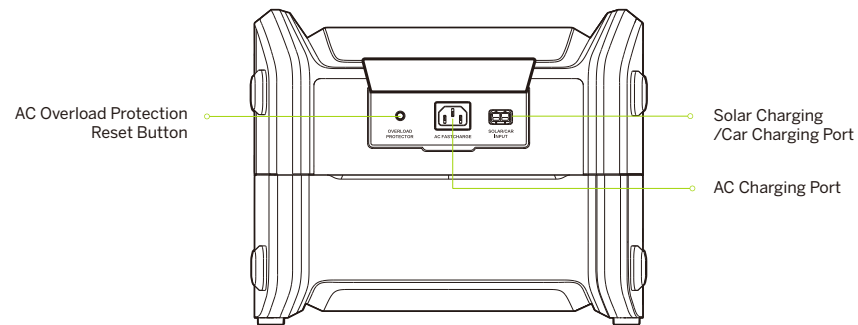
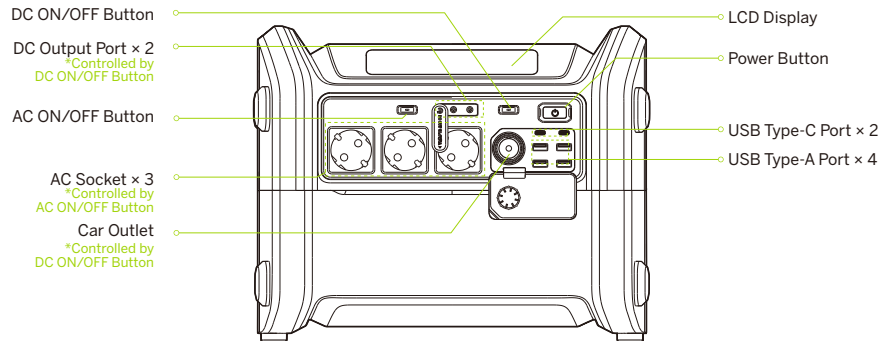
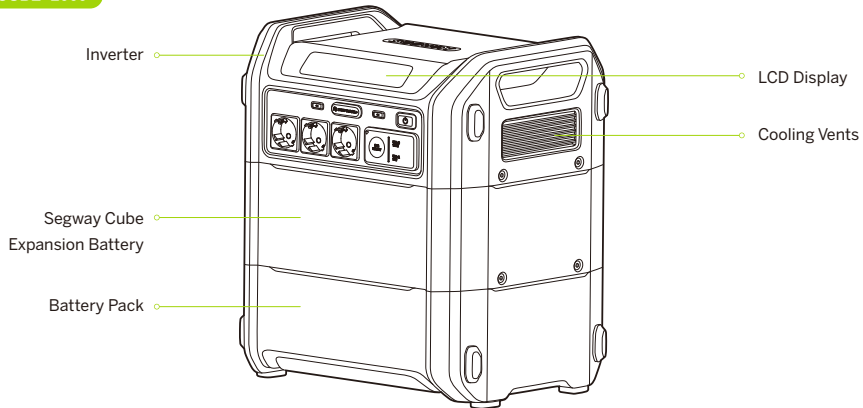
Segway Cube Expansion Battery

3 Product Overview

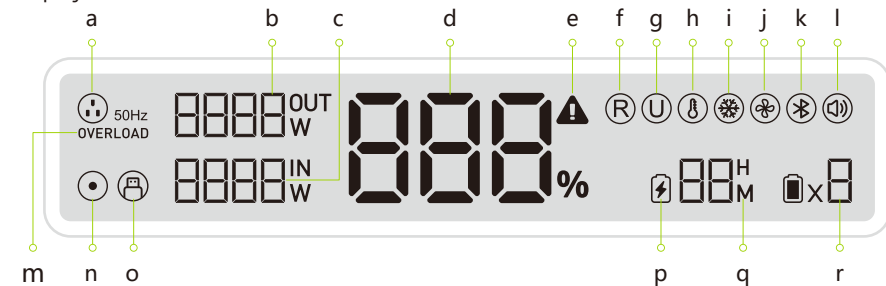
CUBE-1000



CUBE-2000



Display Overview



a 50Hz
AC Output
The plug icon displayed as AC Output, the output frequency is 50 Hz.

b
Output Power

c
Input Power

d
Battery Power

e
Warning
When the icon lights up, it means high temperature protection, low temperature protection or AC overload protection is triggered.

f
R-Drive
Intelligently adjust the operating power of electric appliances and ensure them work at the rated power of the inverter. Support up to 4400 W loads.

g
UPS (Uninterruptible Power Supply)
Automatically switch to inverter-powered if AC input was cut off by power grid failure and make sure electric appliances work normally.

h
High Temperature Protection
Partial input/output power will be decreased automatically when the device temperature is too high.

i
Low Temperature Protection
Partial input/output power will be decreased automatically when the device temperature is too low.

j
Cooling Fan
The icon indicates that the fan is working.

k
Bluetooth
The icon flashes while pairing, and it stays on when the device is connected successfully.

l
Button Tone

m
OVERLOAD
AC Output Overload

n
DC Output/Car Outlet

o
USB Output

p
Charging

q
Remaining Discharge/Charge Time

r
Battery Pack Quantity CUBE-1000 1
CUBE-2000 2

4 How to Use the Power Station

* Illustrated with CUBE-1000

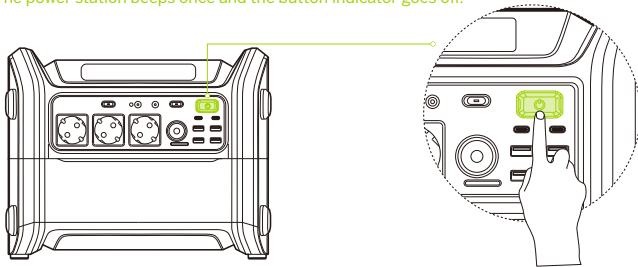
1 Turn on/off

Press and hold the Power Button for over 1 second to turn it on/off.

Press the Power Button to wake up or dim the screen when the power station is on.

Turned on: The power station beeps once and the button indicator lights white.

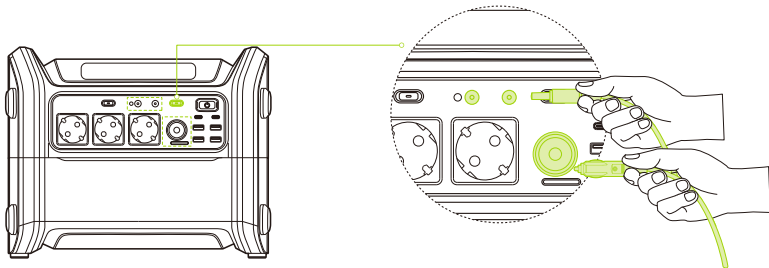
Turned off: The power station beeps once and the button indicator goes off.



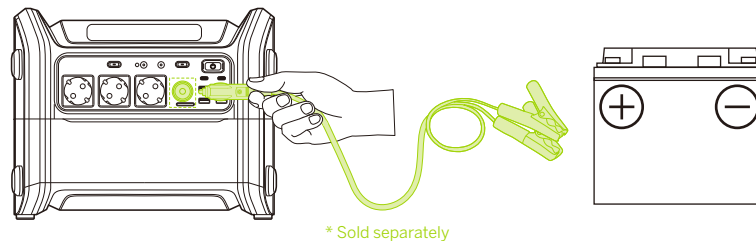
2 DC Output

* DC output port × 2/Car outlet × 1

a) When the power station is on, press the DC ON/OFF Button to turn on DC output, connect the device to DC output port.



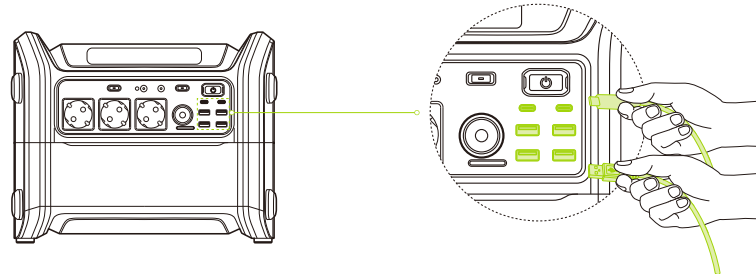
b) Press the DC ON/OFF Button to turn on car outlet. Car outlet supports constant current output, and can use the specific cable to charge the car battery. (only for charging, can not be used to jump-start the vehicle.)



* Sold separately

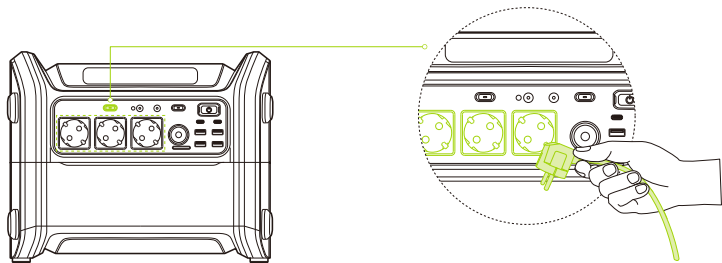
3 USB Output

Connect the device to the USB output port.



4 AC Output

When the power station is on, press the AC ON/OFF Button to turn on AC output, connect the device to the AC socket.

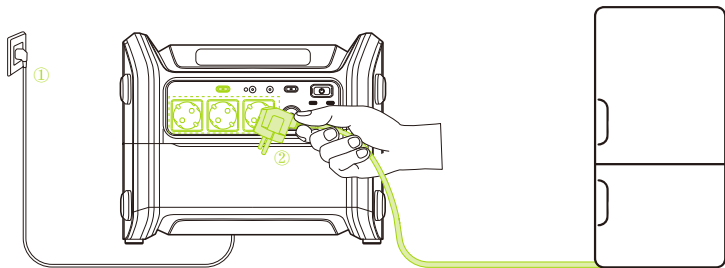


5 UPS Function

When the UPS function is turned on:

- ① Plug the AC charging cable into the wall outlet and connect the other end to the AC charging port of the power station.
- ② Press the AC ON/OFF Button to turn on the AC output, connect the AC device to the AC socket.

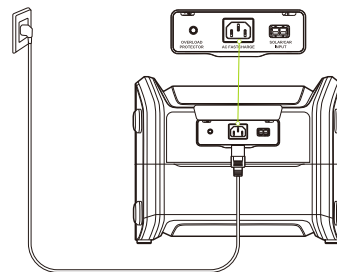
* At this point, UPS function is activated, and the power station will automatically switch to inverter-powered when the power grid fails.



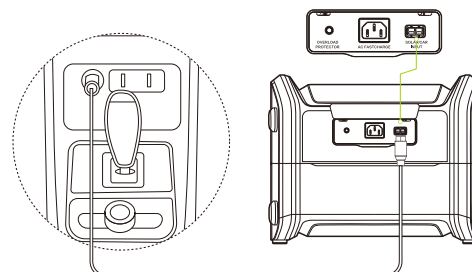
5 How to Recharge the Power Station

The power station has two charging ports, AC charging port and solar/car charging port. When recharging the power station, the display will show the charging status. There are five charging methods as below, dual-charging is also available.

- ① AC charging
- ② Car charging
- ③ Solar charging
- ④ AC and solar charging
- ⑤ AC and car charging



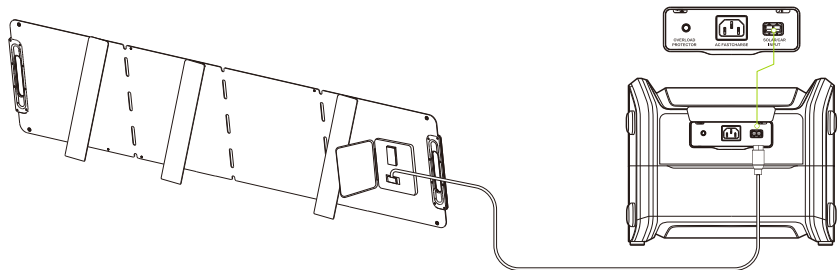
AC charging



Car charging

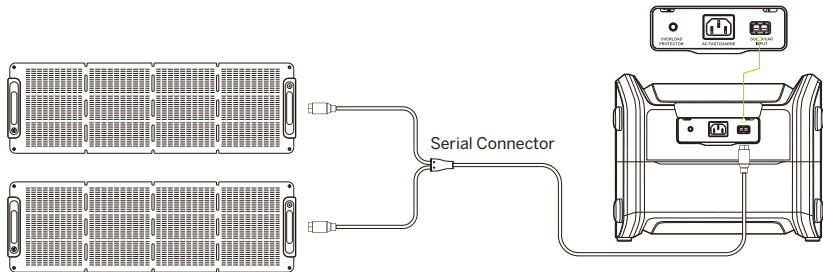
Solar Charging

a. Single solar panel



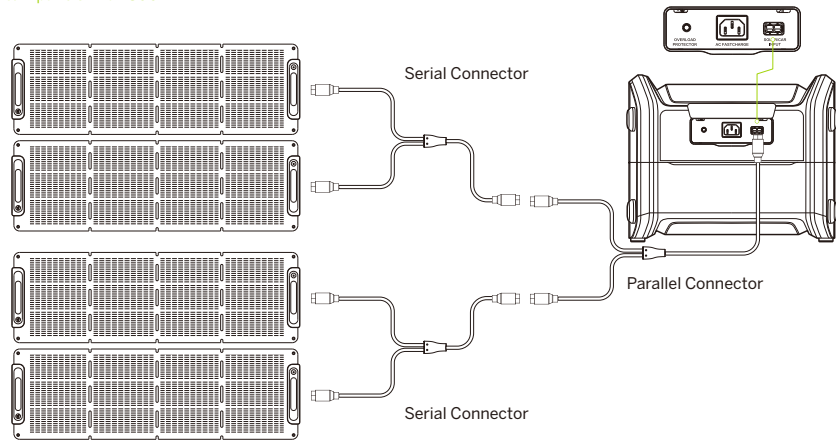
b. Multiple solar panels

2 panels



4 panels

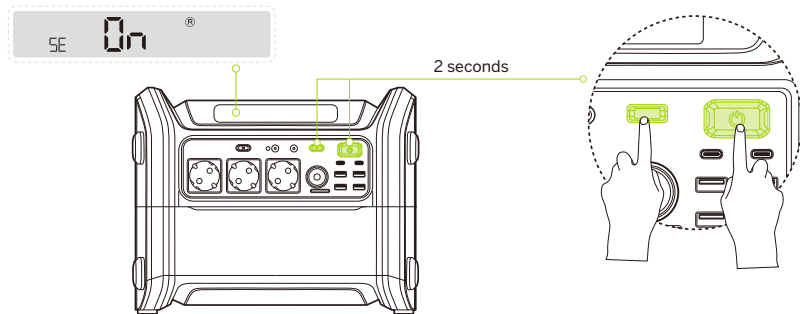
* Up to 4 panels/Max 800 W



6 Settings

When the power station is off, press and hold the DC ON/OFF Button and Power Button for 2 seconds at the same time to go to settings.

Note: Charging and discharging are not available during setting.



Basic operations of buttons

Power Button: Press to save and exit settings.

AC ON/OFF Button: Go to the next setting.

DC ON/OFF Button: Switch between the options of the current setting.

Settings

Note: It is recommended to customize these settings directly via Segway-Ninebot App.

Icon	Setting	Display	Options
Ⓡ	R-Drive ^[1]	<div style="border: 1px solid gray; padding: 2px; display: inline-block;">SE On[®]</div> <div style="border: 1px solid gray; padding: 2px; display: inline-block;">SE OFF[®]</div>	<p>The default setting is on. The function can be turned on/off.</p> <p>* This function is applicable to resistive appliances only. Turn off this function immediately if the appliances can not work normally.</p>

Icon	Setting	Display	Options
Ⓡ	UPS (Uninterruptible Power Supply) ^[1]	<div style="border: 1px solid gray; padding: 2px; display: inline-block;">SE On[®]</div> <div style="border: 1px solid gray; padding: 2px; display: inline-block;">SE OFF[®]</div>	<p>The default setting is on. The function can be turned on/off.</p>
⊕	Fan Mode	<div style="border: 1px solid gray; padding: 2px; display: inline-block;">SE HI[®]</div> <div style="border: 1px solid gray; padding: 2px; display: inline-block;">SE LO[®]</div>	<p>Two modes are available.</p> <p>Active cooling mode: The fan works automatically and keeps the power station maintained at a relatively low temperature.</p> <p>Silent mode: The fan works automatically and runs at a relatively low speed and frequency.</p>
🔊	Button Tone	<div style="border: 1px solid gray; padding: 2px; display: inline-block;">SE On[®]</div> <div style="border: 1px solid gray; padding: 2px; display: inline-block;">SE OFF[®]</div>	<p>The default setting is on. The button sound can be turned on/off.</p>

Features

1 R-Drive

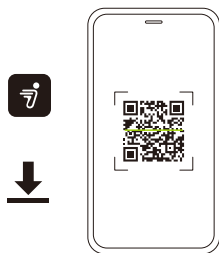
This function is not applicable to all electric appliances but for resistive appliances only, such as hair dryers and electric kettles. Please test the compatibility before use. High-power appliances like air conditioners, coffee makers, dryers, electric stoves, large refrigerators, microwave ovens, lawnmowers, ovens, and washing machines are not compatible.

2 UPS (Uninterruptible Power Supply)

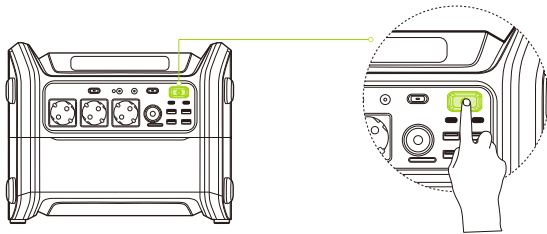
When you connect the power station to the AC power source, and then connect the appliances to the AC socket of the power station, the appliances will get power from the AC power source, not the power station. When the AC power source fails, the power station will automatically switch to inverter-powered for the appliances in 20-30 ms. The UPS function is the offline type and does not support 0ms-switch. Do not use the power station to charge devices that require a continuous power supply. Please test the compatibility before use.

7 App User Guide

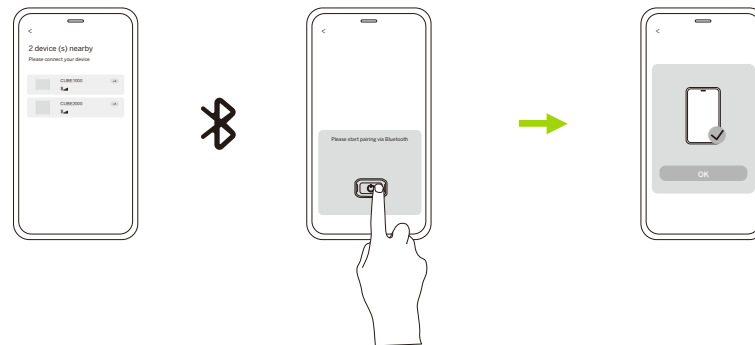
- 1 Scan the QR code to download the Segway-Ninebot App to register or log in.



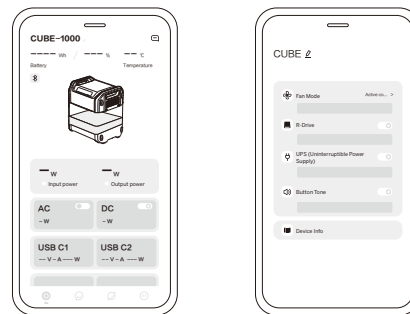
- 2 Press and hold the power button to turn on the power station.



- 3 Tap "Add device" and follow the instructions to connect to the power station via Bluetooth.



- 4 Customize the settings directly via the App. Check the real-time information of the remaining battery, temperature, input/output power of each input/output ports, etc.



8 Specifications

Power Station	Product Name	Segway Portable Power Station Cube	
	Model	CUBE-1000	CUBE-2000
	L x W x H*	354 x 289 x 284 mm (13.9 x 11.3 x 11.1 in)	354 x 289 x 399 mm (13.9 x 11.3 x 15.7 in)
	Net Weight*	16.2 kg (35.7 lbs)	26.1 kg (57.5 lbs)
	Inverter Model	CUBE-IV-2200	
	Included Battery Pack Model	CUBE-BT-1000	CUBE-BT-1000, CUBE-BTX-1000
	Rated Frequency	50 Hz	
	Max. Power of Output in Total	2200 W	2584 W
	AC Max. Output Power	2200 W	
	DC Max. Output Power	384 W	
	AC Input	230 V~ 50 Hz 1250 W Max	
	Car Input	12 V/24 V= 200 W Max	
	Solar Panel Input	12-60 V= 800 W Max	
	AC Output (x 3)	230 V~, 9.56 A, 50 Hz, 2200 W Max (inverter mode, pure sine wave) / 230 V~, 50 Hz, 5.2 A Max (bypass mode)	
	Car Outlet	13.6 V= 10 A 136 W Max	
	DC5525 Output (x 2)	13.6 V= 5 A 68 W Max	
	USB Type-A Output (x 4)	5/9/12 V= 3 A 18 W Max	
USB Type-C Output (x 2)	5/9/12/15/20 V= 5 A 100 W Max		
Discharge Temperature	-10°C~45°C (14°F~113°F)		
Charge Temperature	5°C~45°C (41°F~113°F)		
Battery Pack	Model	CUBE-BT-1000	CUBE-BTX-1000
	L x W x H*	354 x 289 x 152 mm (13.9 x 11.3 x 5.9 in)	348 x 289 x 135 mm (13.7 x 11.3 x 5.3 in)
	Net Weight*	10 kg (22 lbs)	9.9 kg (21.8 lbs)
	Battery Type	LFP (LiFePO ₄) Battery	
	Nominal Capacity	20 Ah	
	Nominal Energy	1024 Wh	
	Nominal Voltage	51.2 V=	
	Max. Charging Voltage	57.6 V=	
	IP Rating	IP56	
	Battery Management System	Protection against over temperature, over current, over voltage.	

* It may slightly differ from the actual value due to different measuring tools and methods.

9 Troubleshooting

Error code	Possible causes	Solution
E01	Battery over temperature protection	Please cool down the battery
E02	Battery low temperature protection	Please make the battery back to the normal temperature.
E03	Battery undervoltage protection	Please charge immediately!
E04	Battery communication error 1	1. Turn off the power station and check if the battery pack is connected properly. 2. Restart the power station. Note: if the error code still exists after operating with the above methods, the battery pack might have been damaged.
E05	Battery communication error 2	
E06	Over temperature protection during charging	1. Please cool down the power station. 2. Check the fan and cooling vents, and apply heat dissipation for the power station.
E07	Over temperature protection during discharging	
E08	Solar charging abnormality	1. Check the solar panel type (80V/20A). If matched, the hardware circuit of the solar panel might have been damaged, please contact the after-sales service for support. 2. If not, please disconnect the solar panel.
E09	AC Input error	AC Input abnormality caused by unstable power grid, please disconnect the AC charging cable.
E10	Car output overload or short-circuit	Disconnect the loads. Turn off the DC output after 5 seconds and try again later.
E11	USB output overload or short-circuit	Disconnect the USB devices.
E12	AC output overload protection	Disconnect the loads. Turn off the AC output after 5 seconds and try again later.
E13	AC output short-circuit protection	
E14	Inverter malfunction	Disconnect the AC devices. Turn off the AC output after 5 seconds and try again later.
E15	Battery malfunction	Keep the power station stand still and restart it.
E16	Internal wires malfunction	Disconnect all the input/output devices and restart the power station.

* For the error code from E09 to E16, if the error code still exists after operating with the above methods, please contact the after-sales service for support.

10 Certification

Information on Disposal for Users of Waste Electrical & Electronic Equipment



This symbol on the product or on its packaging indicates that used electrical and electronic products should not be mixed with unsorted municipal waste. For proper treatment, it is your responsibility to dispose of your waste equipment by arranging to return it to designated collection points.

Disposing of this product correctly will help save valuable resources and prevent any potential negative effects on human health and the environment, which could otherwise arise from inappropriate waste handling.

Penalties may be applicable for incorrect disposal of this waste, in accordance with your national legislation.

Please contact your local authority for further details of your nearest designated collection point.

Battery recycling information for Users



This symbol means that batteries and accumulators, at their end-of-life, should not be mixed with unsorted municipal waste. Your participation is an important part of the effort to minimize the impact of batteries and accumulators on the environment and on human health. For proper recycling you can return this product or the batteries or accumulators it contains to your supplier or to a designated collection point.

Disposing of this product correctly will help save valuable resources and prevent any potential negative effects on human health and the environment, which could otherwise arise from inappropriate waste handling.

Penalties may be applicable for incorrect disposal of this waste, in accordance with your national legislation.

there are separate collection systems for used batteries and accumulators.

Please, dispose of batteries and accumulators correctly at your local community waste collection/recycling center.

Restriction of the use of certain hazardous substances (RoHS) Directive

Ninebot New Energy Technology (Beijing) Co., Ltd. hereby declares the whole product including parts (cables, cords, and so on) meets the requirements of RoHS Directive 2011/65/EU and amendment Commission Delegated Directive (EU)

2015/863 on the restriction of the use of certain hazardous substances in electrical and electronic equipment ("RoHS recast" or "RoHS 2.0").

The Restriction of the Use of Certain Hazardous Substances in Electrical and Electronic Equipment Regulations 2012

Ninebot New Energy Technology (Beijing) Co., Ltd. hereby declares the whole product including parts (cables, cords, and so on) meets the requirements of The Restriction of the Use of Certain Hazardous Substances in Electrical and Electronic Equipment Regulations 2012.



UK Compliance Statement

Radio Equipment Regulations 2017

Ninebot New Energy Technology (Beijing) Co., Ltd. hereby declares that the product listed in this section comply with the essential requirements and other relevant provisions of Radio Equipment Regulations 2017.

The Restriction of the Use of Certain Hazardous Substances in Electrical and Electronic Equipment Regulations 2012

Ninebot New Energy Technology (Beijing) Co., Ltd. hereby declares the whole product including parts (cables, cords, and so on) meets the requirements of The Restriction of the Use of Certain Hazardous Substances in Electrical and Electronic Equipment Regulations 2012.



European Union Compliance Statement

Radio Equipment Directive

Ninebot New Energy Technology (Beijing) Co., Ltd. hereby declares that the product listed in this section comply with the essential requirements and other relevant provisions of Radio Equipment Directive 2014/53/EU.

Bluetooth	Frequency Band(s)	2.4000-2.4835GHz
	Max. RF Power	20mW

11 Trademark and Legal Statement

Segway, Rider Design are trademarks of Segway Inc.; Ninebot is the trademark of Ninebot (Beijing) Tech Co., Ltd.; App Store® and Apple logo® are trademarks of Apple Inc.; The Bluetooth® word mark and logos are trademarks owned by Bluetooth SIG, Inc. and any use of such marks by Segway-Ninebot is under license. Other trademarks and trade names are those of their respective owners.

Due to the constant improvement of products, this manual and the actual products may be slightly different in color, appearance, etc. Actual products shall prevail when there is a discrepancy between the actual products and the manual.

©2023 Ninebot (Beijing) Technology Co., Ltd. All rights reserved.

Legal Statement

1. Before using the Segway Portable Power Station ("Product"), please carefully read the user manual to ensure proper usage after full comprehension. After reading, please keep the user manual safely for future reference. Failure to operate this product correctly may result in severe personal injuries to yourself or others, as well as product damage and property loss.
2. By using the Product, it is deemed that you fully understand, acknowledge, and accept all the terms and contents of this document. The user undertakes responsibility for their actions and all consequences arising from the use of the Product. Segway shall not be liable for any claim, liability, and loss related to such consequences if it is due to the user's assumption of risk.
3. Please do not allow individuals who have not carefully read this manual or are unfamiliar with the proper usage and safety precautions of the Product to use it.
4. Upon receiving the Product, please immediately inspect whether the product and its accessories are intact and complete. All accessories must be used as required by the instruction manual.
5. Warning: Any battery performance degradation or inability to function properly caused by the user's failure to use and maintain the battery properly is not covered under Limited Warranty.
6. To the extent permitted by law, Segway reserves the right to provide the final interpretation and explanation of this statement.

This Legal Statement shall be governed by the laws of the state where your Product is installed, except to the extent inconsistent with or pre-empted by different jurisdictions. Segway shall not be liable for any claims, liabilities, or losses resulting from the consumer's violation of the above statement.

You may choose to accept the above terms and use the product accordingly, or proceed with the return process according to the Limited Warranty. When returning the Product, please ensure the Product and packaging are intact to avoid affecting resale.

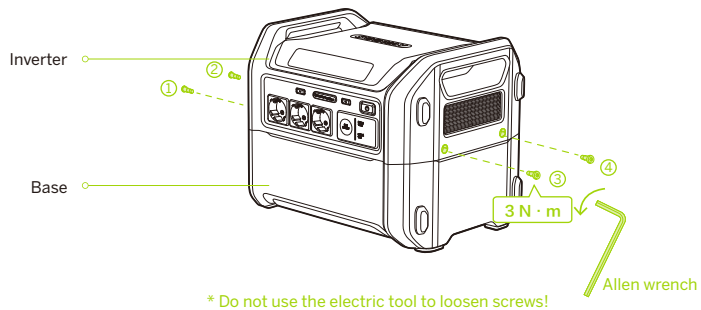
If you intend to resell or gift the Product, please remember to include this legal statement as it is an integral part of the Product.

If you have any questions or need assistance, Segway is pleased to be at your service.

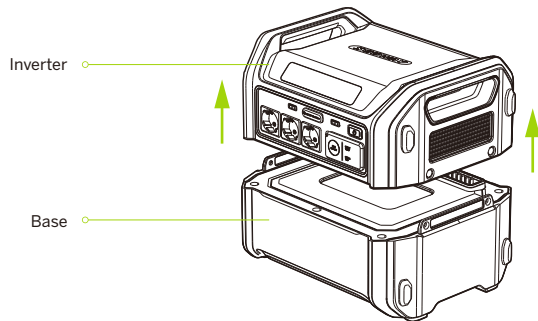
Once again, we thank you for choosing and trusting our Product.

Appendix: Battery Expansion

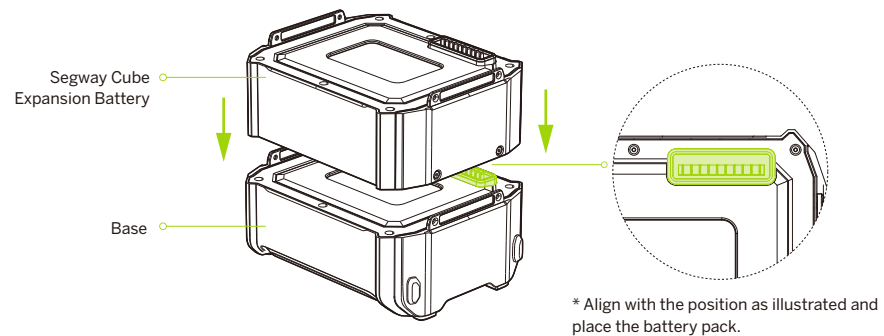
- 1 Loosen the four screws with the 3 mm Allen Wrench.



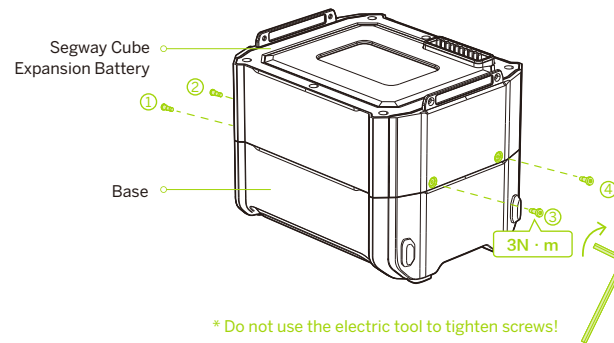
- 2 Separate the inverter and the base.



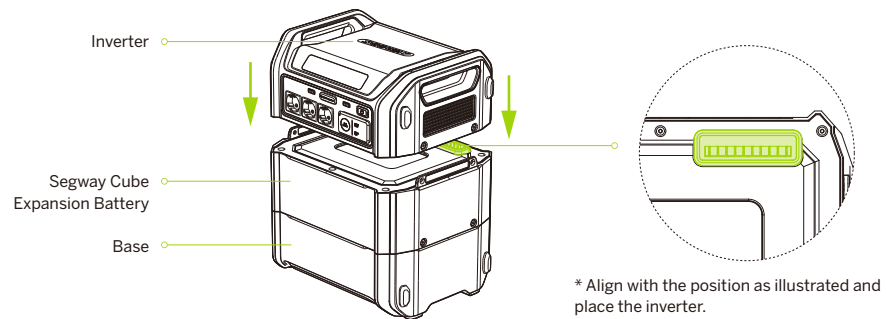
- 3 Place the battery pack on the base.



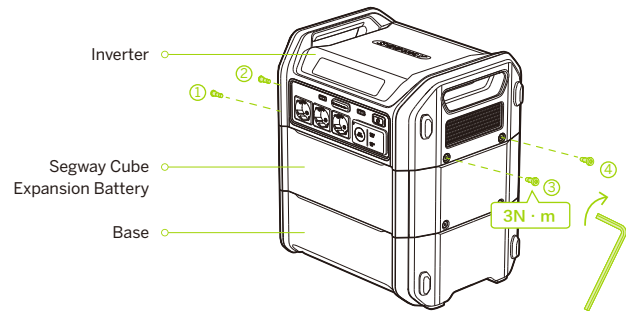
- 4 Tighten the four screws.



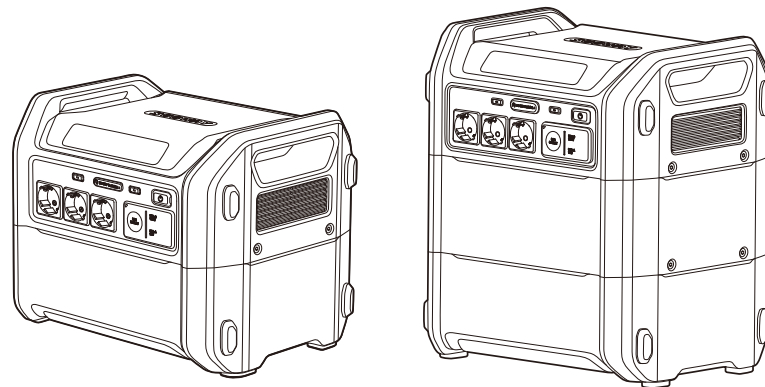
5 Place the inverter on the battery pack.



6 Tighten the four screws.



* Do not use the electric tool to tighten screws!



SEGWAY

Station d'alimentation portable Segway
CUBE-1000 / CUBE-2000

Contenu

1. Consignes de sécurité	01
2. Contenu de la boîte	04
3. Aperçu du produit	05
4. Comment utiliser la station d'alimentation	09
5. Comment recharger la station d'alimentation	11
6. Paramètres	14
7. Guide de l'utilisateur de l'application	16
8. Caractéristiques techniques	18
9. Dépannage	19
10. Certification	20
11. Marque commerciale et déclaration légale	22
Annexe : Extension de la batterie	24

1 Consignes de sécurité

CONSIGNES DE SÉCURITÉ IMPORTANTES

- **AVERTISSEMENT** - Lors de l'utilisation de ce produit, des précautions de base doivent toujours être prises, notamment les suivantes :
 - Lisez toutes les instructions avant d'utiliser le produit.
 - Pour réduire le risque de blessure, une surveillance étroite est nécessaire lorsque le produit est utilisé à proximité d'enfants.
 - Ne pas mettre les doigts ou les mains dans le produit.
 - L'utilisation d'un accessoire non recommandé ou non vendu par le fabricant du bloc d'alimentation peut entraîner un risque d'incendie, de choc électrique ou de blessure.
 - Pour éviter d'endommager la fiche et le cordon électriques, tirez sur la fiche plutôt que sur le cordon lorsque vous débranchez le bloc d'alimentation.
 - N'utilisez pas de batterie ou d'appareil endommagé ou modifié. Les batteries endommagées ou modifiées peuvent avoir un comportement imprévisible et provoquer un incendie, une explosion ou un risque de blessure.
 - Ne pas faire fonctionner le bloc d'alimentation avec un cordon ou une fiche endommagé(e), ou un câble de sortie endommagé.
 - Ne démontez pas le bloc d'alimentation, confiez-le à un technicien qualifié en cas de réparation ou d'entretien. Un remontage incorrect peut entraîner un risque d'incendie ou de choc électrique.
 - Pour éviter tout risque de choc électrique, débranchez le bloc d'alimentation de la prise de courant avant de procéder à toute réparation.
 - Lorsque vous chargez la batterie interne, travaillez dans un endroit bien ventilé et ne limitez pas la ventilation de quelque manière que ce soit.
 - Dans des conditions abusives, du liquide peut être éjecté de la batterie ; éviter tout contact. En cas de contact accidentel, rincer à l'eau. En cas de contact du liquide avec les yeux, consulter de toute urgence un médecin. Le liquide éjecté de la batterie peut provoquer des irritations ou des brûlures.
 - N'exposez pas un bloc d'alimentation au feu ou à une température excessive. L'exposition au feu ou à une température supérieure à 130 °C (265 °F) peut provoquer une explosion.
 - Confier l'entretien à un réparateur qualifié qui n'utilisera que des pièces de rechange identiques. Cela permet de garantir la sécurité du produit.
 - Ne pas exposer le produit à des sources d'inflammation ou à des températures élevées, telles que des véhicules à chauffage élevé ou la lumière directe du soleil.
 - Gardez le produit au sec et ne l'immergez pas dans l'eau ou ne le soumettez pas à l'humidité. Ne pas utiliser le produit dans des environnements pluvieux ou humides.
 - Évitez d'utiliser le produit dans un environnement à fort champ statique/magnétique.
 - Lors de l'utilisation du produit, veuillez respecter la température ambiante spécifiée dans le manuel de l'utilisateur. Si la température est trop élevée, elle peut provoquer un incendie ou une explosion ; si la température est trop basse, elle peut gravement dégrader les performances du produit ou l'empêcher de fonctionner.
 - En cas de stockage prolongé, placez le produit dans un endroit sec et ventilé.

- Évitez d'obstruer le ventilateur ou de placer le produit dans un endroit non ventilé ou poussiéreux.
- Ne démontez pas le produit et ne le percez pas avec des objets pointus.
- Évitez les chocs, les chutes et les vibrations violentes. En cas d'impact grave, veuillez éteindre l'appareil et cesser de l'utiliser immédiatement.
- Évitez d'utiliser des fils ou d'autres objets métalliques susceptibles de provoquer un court-circuit.
- N'utilisez pas de cordons, de fiches ou de câbles de sortie endommagés pour connecter ce produit afin d'éviter tout risque de choc électrique.
- N'utilisez pas de composants ou d'accessoires non officiels. Si vous devez remplacer un composant ou un accessoire, consultez le canal officiel Segway.
- Ne pas empiler d'objets lourds sur le produit.
- Ne placez pas le produit sur une surface instable afin d'éviter qu'il ne bascule ou ne tombe.
- Veillez à ce que le produit soit tenu hors de portée des enfants et des animaux domestiques.
- Ce produit n'est pas recommandé pour l'alimentation d'équipements d'urgence médicale liés à la sécurité des personnes, y compris les ventilateurs de qualité médicale et les poumons artificiels. Si vous devez utiliser ce produit, suivez les instructions de votre médecin et consultez le fabricant. En cas d'utilisation pour un équipement médical général, s'assurer que l'alimentation électrique est en bon état.
- Lors de l'utilisation de ce produit, l'alimentation électrique génère des champs électromagnétiques qui peuvent interférer avec le bon fonctionnement d'implants médicaux ou d'appareils médicaux personnels tels que les stimulateurs cardiaques, les implants cochléaires, les appareils auditifs, les défibrillateurs, etc. Si ces dispositifs sont utilisés, veuillez contacter le fabricant pour connaître les restrictions d'utilisation de ces dispositifs afin de vous assurer que les implants médicaux sont maintenus à une distance sûre de ce produit pendant son utilisation.
- Risque de choc électrique. N'utilisez jamais le bloc d'alimentation pour alimenter des outils électriques pour couper ou accéder à des pièces sous tension ou à des câblages sous tension, ou à des matériaux pouvant contenir des pièces sous tension ou des câblages sous tension à l'intérieur, tels que des murs de bâtiment, etc.

CONSERVER CES INSTRUCTIONS

INSTRUCTIONS DE MISE A LA TERRE

Ce produit doit être relié à la terre. En cas de dysfonctionnement ou de panne, la mise à la terre fournit un chemin de moindre résistance pour le courant électrique afin de réduire le risque de choc électrique. Ce produit est équipé d'un cordon muni d'un conducteur de mise à la terre et d'une fiche de mise à la terre. La fiche doit être branchée dans une prise de courant correctement installée et mise à la terre conformément à toutes les réglementations locales.

AVERTISSEMENT - Une mauvaise connexion du conducteur de mise à la terre de l'équipement peut entraîner un risque de choc électrique. Vérifiez auprès d'un électricien qualifié si vous avez des doutes quant à la mise à la terre du produit. Ne modifiez pas la fiche fournie avec le produit - si elle n'est pas adaptée à la prise, faites installer une prise adéquate par un électricien qualifié.

Entretien quotidien

Si le produit n'est pas utilisé pendant plus de 30 jours, veuillez le recharger complètement et le placer dans un endroit frais et sec pour le stocker. Chargez le produit tous les six mois, sinon la batterie risque d'être endommagée.

Directives relatives à l'élimination des batteries

- Lorsque vous vous débarrassez de la batterie, assurez-vous qu'elle est complètement déchargée et placez-la dans la poubelle de recyclage des batteries prévue à cet effet.
- La batterie de ce produit contient des substances chimiques et il est strictement interdit de la jeter avec les ordures ménagères. Veuillez respecter les lois et réglementations locales en matière de recyclage et d'élimination des batteries.
- Si la batterie ne peut être complètement déchargée en raison d'une défaillance du produit, ne la jetez pas directement dans la poubelle de recyclage des batteries. Veuillez contacter une entreprise professionnelle de recyclage de batterie pour une élimination ultérieure.

Mesures de sécurité pendant la charge

- Lorsque vous utilisez deux panneaux solaires ou plus pour recharger le produit, veuillez utiliser le même type de panneau solaire. Le produit peut être connecté à un, deux ou quatre panneaux solaires. Si vous utilisez quatre panneaux solaires pour recharger le produit, assurez-vous que la connexion entre les panneaux solaires est de deux en série et de deux en parallèle.
- Ne rechargez pas le produit avec des câbles de charge de voiture et des panneaux solaires en même temps, car cela pourrait endommager le fusible.
- Il est recommandé d'utiliser les accessoires Segway - Panneau solaire SP Segway pour la charge solaire. L'utilisation de panneaux solaires d'autres marques peut entraîner des dommages pour lesquels nous ne sommes pas responsables.

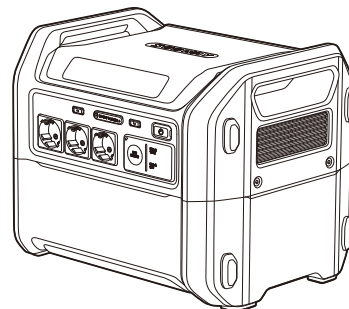
Avertissement de température élevée

La température du produit peut être trop élevée pour alimenter des appareils électriques de grande puissance pendant une longue période, et la protection contre les hautes températures peut se déclencher. Pour la sécurité de la batterie, le produit limitera automatiquement la puissance de sortie pour réduire la température. Si la limite est atteinte, la sortie est coupée et la fonction de charge est indisponible. Si cet avertissement apparaît, arrêtez immédiatement d'utiliser les charges à haute puissance, laissez refroidir le produit, puis réessayez de l'utiliser.

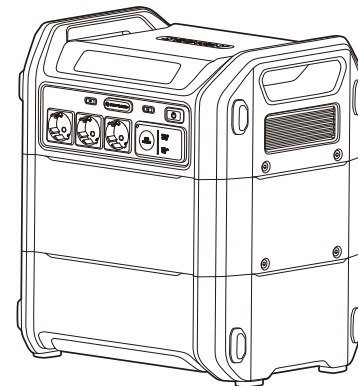
Nous prenons très au sérieux votre sécurité et la protection de nos produits. Si vous avez des questions ou des suggestions, veuillez contacter le service clientèle de Segway.

2 Contenu de la boîte

Station d'alimentation portable Segway :

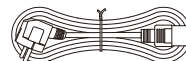


CUBE-1000 x 1



CUBE-2000 x 1

Accessoires :



Câble de charge CA x 1



Câble de charge pour voiture x 1



3 mm
Clé Allen x 1



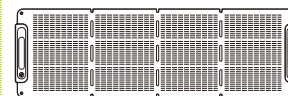
Manuel de l'utilisateur x 1



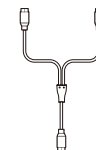
Politique de garantie x 1

* Pour CUBE-2000 uniquement

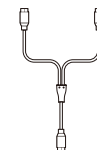
* Accessoires vendus séparément



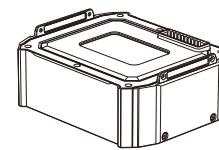
Panneau solaire SP Segway



Connecteur série



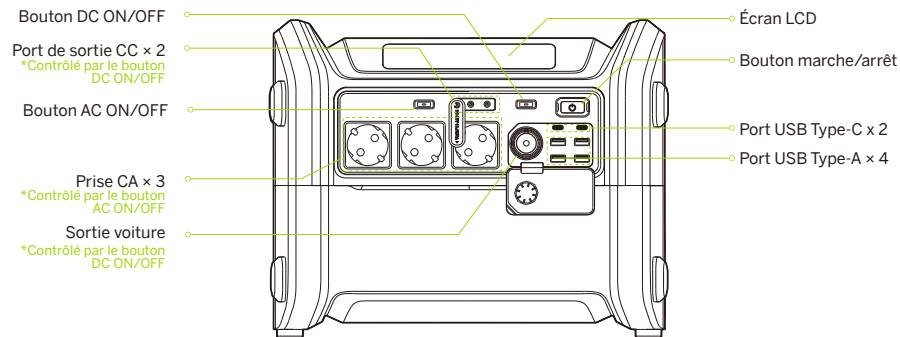
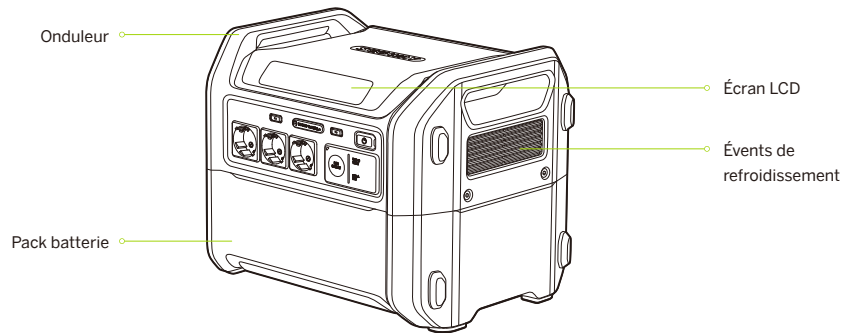
Connecteur parallèle



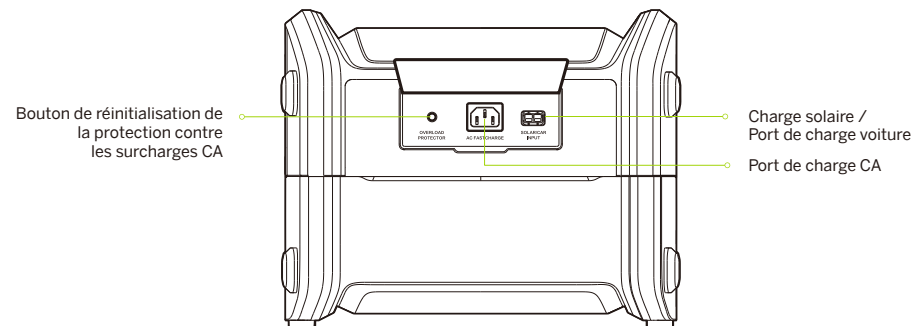
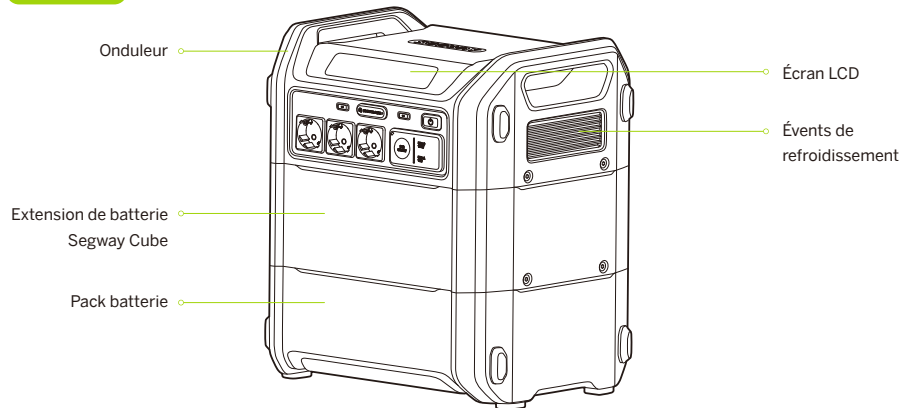
Extension de batterie Segway Cube

3 Aperçu du produit

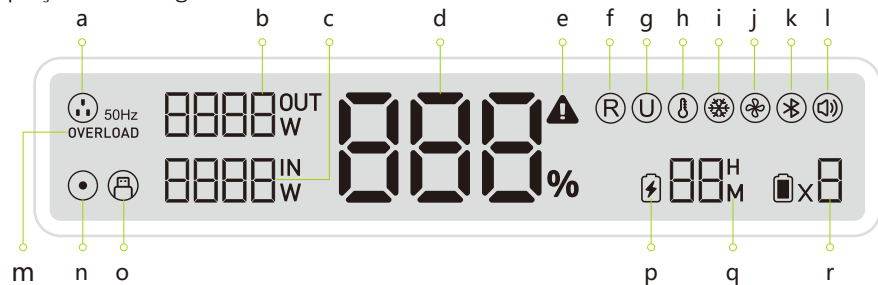
CUBE-1000



CUBE-2000



Aperçu de l'affichage



a 50Hz
Sortie CA
L'icône de la fiche s'affiche comme AC Output, la fréquence de sortie est de 50 Hz.

b **OUT W**
Puissance de sortie

c **IN W**
Puissance d'entrée

d **%**
Puissance de la batterie

e **!**
Avertissement
Lorsque l'icône s'allume, cela signifie que la protection contre la haute température, la protection contre la basse température ou la protection contre la surcharge CA est déclenchée.

f **R**
R-Drive
Ajuster intelligemment la puissance de fonctionnement des appareils électriques et s'assurer qu'ils fonctionnent à la puissance nominale de l'onduleur. Prend en charge des charges allant jusqu'à 4400 W.

g **U**
UPS (alimentation sans interruption)
Bascule automatiquement sur l'alimentation par onduleur si l'entrée CA a été coupée par une panne du réseau électrique et s'assure que les appareils électriques fonctionnent normalement.

h **H**
Protection contre les hautes températures
La puissance d'entrée/sortie partielle est automatiquement réduite lorsque la température de l'appareil est trop élevée.

i **L**
Protection contre les basses températures
La puissance d'entrée/sortie partielle est automatiquement réduite lorsque la température de l'appareil est trop basse.

j **F**
Ventilateur de refroidissement
L'icône indique que le ventilateur fonctionne.

k **B**
Bluetooth
L'icône clignote pendant l'association et reste allumée lorsque l'appareil est connecté avec succès.

l **S**
Tonalité du bouton

m **OVERLOAD**
Surcharge de la sortie CA

n **CC**
Sortie CC/prise voiture

o **USB**
Sortie USB

p **CH**
Chargement

q **H M**
Temps de décharge/charge restant

r **X** **B**
Quantité de pack batterie **CUBE-1000** **X** **1**
CUBE-2000 **X** **2**

4 Comment utiliser la station d'alimentation

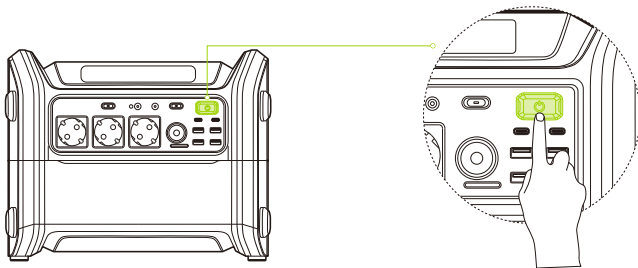
* Illustré avec CUBE-1000

1 Allumer/éteindre.

Appuyez sur le bouton marche/arrêt et maintenez-le enfoncé pendant plus d'une seconde pour l'allumer ou l'éteindre. Appuyez sur le bouton marche/arrêt pour réveiller ou assombrir l'écran lorsque la station d'alimentation est sous tension.

Allumé : La station d'alimentation émet un bip et le voyant lumineux du bouton s'allume en blanc.

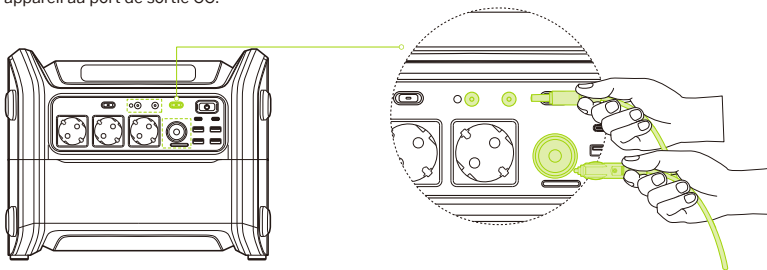
Éteint : La station d'alimentation émet un bip et le voyant lumineux du bouton s'éteint.



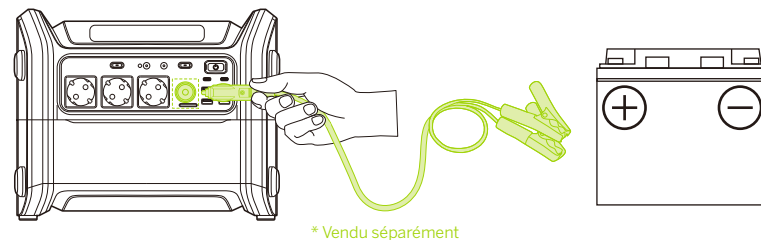
2 Sortie CC

* Port de sortie CC × 2 / Prise voiture × 1

a) Lorsque la station d'alimentation est allumée, appuyez sur le bouton DC ON/OFF pour activer la sortie CC, connectez l'appareil au port de sortie CC.

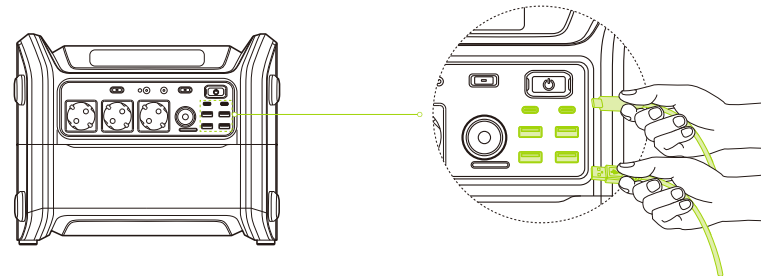


b) Appuyez sur le bouton DC ON/OFF pour allumer la prise de voiture. La prise de voiture prend en charge la sortie de courant constant et peut utiliser le câble spécifique pour charger la batterie de la voiture. (uniquement pour la charge, ne peut pas être utilisé pour démarrer le véhicule.)



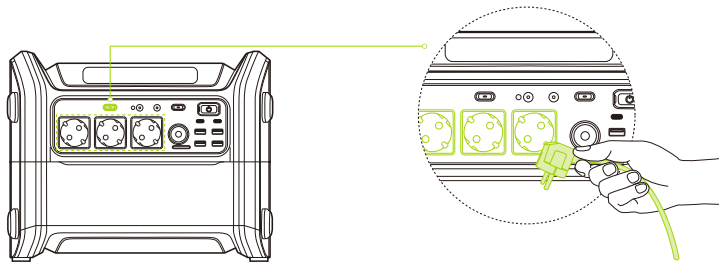
3 Sortie USB

Connectez l'appareil au port de sortie USB.



4 Sortie CA

Lorsque la station d'alimentation est allumée, appuyez sur le bouton AC ON/OFF pour activer la sortie CA, connectez l'appareil à la prise CA.

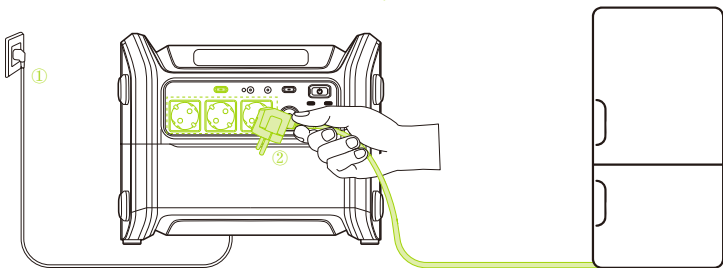


5 Fonction UPS

Lorsque la fonction UPS est activée :

- ① Branchez le câble de charge CA dans la prise murale et connectez l'autre extrémité au port de charge CA de la station d'alimentation.
- ② Appuyez sur le bouton AC ON/OFF pour activer la sortie CA, connectez l'appareil CA à la prise CA

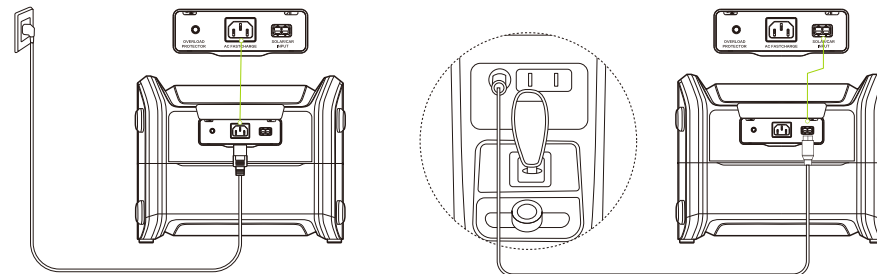
* A ce stade, la fonction UPS est activée et la station d'alimentation passe automatiquement à l'alimentation par onduleur en cas de défaillance du réseau électrique.



5 Comment recharger la station d'alimentation

La station d'alimentation est dotée de deux ports de charge : le port de charge CA et le port de charge solaire/de voiture. Lors de la charge de la station d'alimentation, l'écran affiche l'état de charge. Il existe cinq méthodes de charge, comme indiqué ci-dessous, et la double charge est également disponible.

- ① Charge CA
- ② Charge en voiture
- ③ Charge solaire
- ④ Courant alternatif et charge solaire
- ⑤ Courant alternatif et charge en voiture

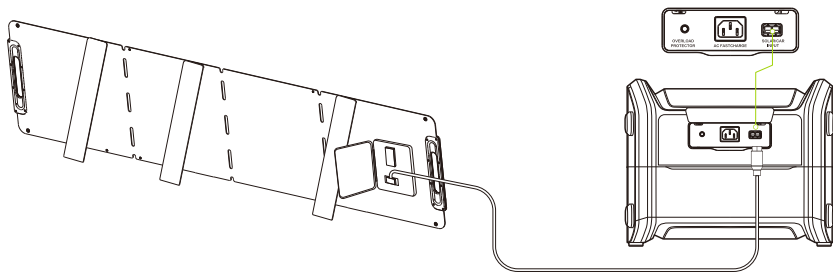


Charge CA

Charge en voiture

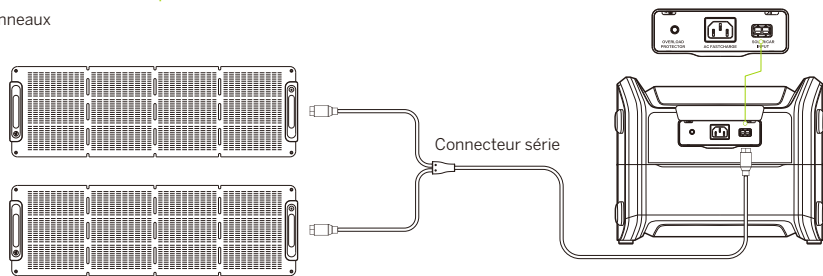
Charge solaire

a. Panneau solaire unique



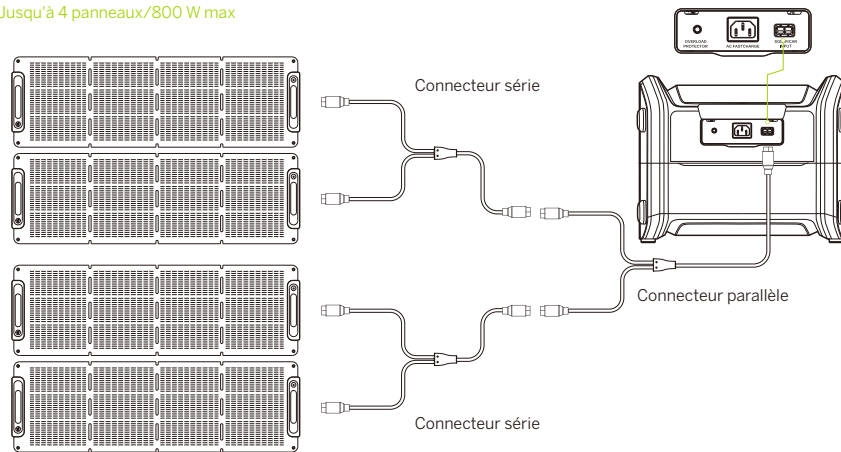
b. Panneaux solaires multiples

2 panneaux



4 panneaux

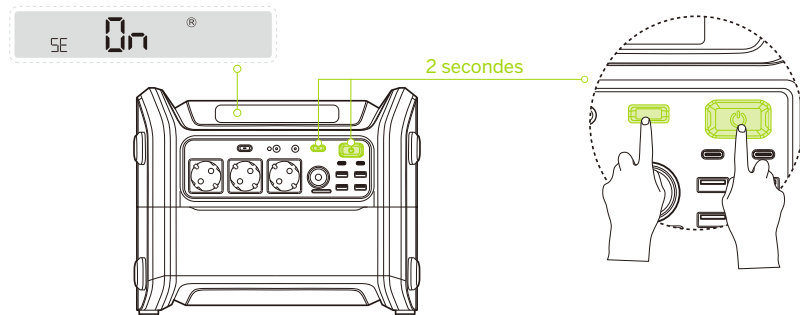
* Jusqu'à 4 panneaux/800 W max



6 Paramètres

Lorsque la station d'alimentation est éteinte, appuyez sur le bouton DC ON/OFF et sur le bouton marche/arrêt pendant 2 secondes en même temps pour accéder aux paramètres.

Remarque : La charge et la décharge ne sont pas disponibles pendant le réglage.



Opérations de base des boutons

Bouton marche/arrêt : Appuyez sur pour enregistrer et quitter les paramètres.

Bouton AC ON/OFF : Passer au réglage suivant.

Bouton DC ON/OFF : Passer d'une option à l'autre pour le réglage en cours.

Paramètres

Remarque : Il est recommandé de personnaliser ces paramètres directement via l'application Segway-Ninebot.

Icône	Paramètre	Affichage	Options
Ⓡ	R-Drive ^[1]	<div style="border: 1px solid gray; padding: 2px; display: inline-block;">SE On[®]</div> <div style="border: 1px solid gray; padding: 2px; display: inline-block;">SE OFF[®]</div>	Le réglage par défaut est activé. La fonction peut être activée/désactivée. * Cette fonction ne s'applique qu'aux appareils résistifs. Désactivez immédiatement cette fonction si les appareils ne peuvent pas fonctionner normalement.

Icône	Paramètre	Affichage	Options
Ⓡ	UPS (Alimentation sans interruption) ^[2]	<div style="border: 1px solid gray; padding: 2px; display: inline-block;">SE On[®]</div> <div style="border: 1px solid gray; padding: 2px; display: inline-block;">SE OFF[®]</div>	Le réglage par défaut est activé. La fonction peut être activée/désactivée.
Ⓢ	Mode ventilateur	<div style="border: 1px solid gray; padding: 2px; display: inline-block;">SE HI[®]</div> <div style="border: 1px solid gray; padding: 2px; display: inline-block;">SE LO[®]</div>	Deux modes sont disponibles. Mode de refroidissement actif Le ventilateur fonctionne automatiquement et maintient la station d'alimentation à une température relativement basse. Mode silencieux Le ventilateur fonctionne automatiquement à une vitesse et une fréquence relativement faibles.
Ⓣ	Tonalité du bouton	<div style="border: 1px solid gray; padding: 2px; display: inline-block;">SE On[®]</div> <div style="border: 1px solid gray; padding: 2px; display: inline-block;">SE OFF[®]</div>	Le réglage par défaut est activé. Le son du bouton peut être activé ou désactivé.

Caractéristiques

1 R-Drive

Cette fonction ne s'applique pas à tous les appareils électriques, mais uniquement aux appareils résistifs, tels que les sèche-cheveux et les bouilloires électriques. Veuillez tester la compatibilité avant de l'utiliser. Les appareils à forte puissance comme les climatiseurs, les cafetières, les sèche-linge, les cuisinières électriques, les grands réfrigérateurs, les fours à micro-ondes, les tondeuses à gazon, les fours et les machines à laver ne sont pas compatibles.

2 UPS (alimentation sans interruption)

Lorsque vous connectez la station d'alimentation à la source d'alimentation CA et que vous connectez ensuite les appareils à la prise CA de la station d'alimentation, les appareils sont alimentés par la source d'alimentation CA et non par la station d'alimentation. En cas de défaillance de la source d'alimentation CA, la station d'alimentation passe automatiquement à l'alimentation par onduleur pour les appareils dans un délai de 20 à 30 ms.

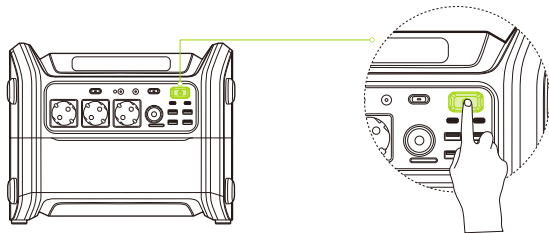
La fonction ASI est de type hors ligne et ne prend pas en charge la commutation 0ms. N'utilisez pas la station d'alimentation pour charger des appareils qui nécessitent une alimentation continue. Veuillez tester la compatibilité avant de l'utiliser.

7 Guide de l'utilisateur de l'application

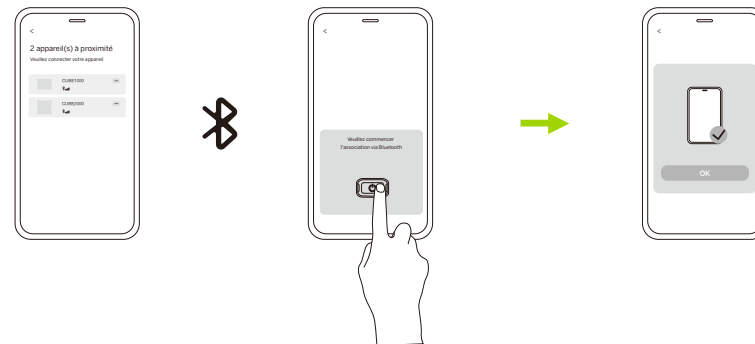
- 1 Scannez le QR code pour télécharger l'application Segway-Ninebot et vous inscrire ou vous connecter.



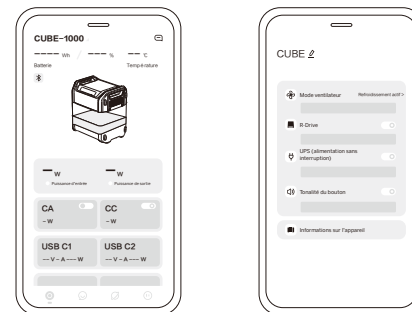
- 2 Appuyez sur le bouton marche/arrêt et maintenez-le enfoncé allumer la station d'alimentation.



- 3 Appuyez sur « Ajouter un appareil » et suivez les instructions pour vous connecter à la station d'alimentation via Bluetooth.



- 4 Personnalisez les paramètres directement via l'application. Vérifiez les informations en temps réel de la batterie restante, de la température, de la puissance d'entrée/sortie de chaque port d'entrée/sortie, etc.



8 Caractéristiques techniques

Station d'alimentation	Nom du produit	Station d'alimentation portable Segway Cube	
	Modèle	CUBE-1000	CUBE-2000
	L × l × H*	354 × 289 × 284 mm (13,9 × 11,3 × 11,1 po)	354 × 289 × 399 mm (13,9 × 11,3 × 15,7 po)
	Poids net*	16,2 kg (35,7 lbs)	26,1 kg (57,5 lbs)
	Modèle d'onduleur	CUBE-IV-2200	
	Modèle de pack batterie inclus	CUBE-BT-1000	CUBE-BT-1000, CUBE-BTX-1000
	Fréquence nominale	60 Hz	
	Puissance max. totale de la sortie	2200 W	2584 W
	Puissance de sortie CA max.	2200 W	
	Puissance de sortie CC max.	384 W	
	Entrée CA	230V~ 50 Hz 1250 W Max	
	Entrée voiture	12 V/24 V= 200 W Max	
	Entrée du panneau solaire	12-60 V= 800 W Max	
	Sortie CA (× 3)	230 V~, 9,56 A, 50 Hz, 2200 W max (mode onduleur, onde sinusoïdale pure) / 230 V~, 50 Hz, 5,2 A max. (mode bypass)	
	Sortie voiture	13,6 V= 10 A 136 W max	
	Sortie DC5525 (× 2)	13,6 V= 5 A 68 W max	
	Sortie USB Type-A (× 4)	5/9/12 V= 3 A 18 W max	
Sortie USB Type-C (× 2)	5/9/12/15/20 V= 5 A 100 W max		
Température de décharge	10 °C-45 °C (14 °F-113 °F)		
Température de charge	5 °C-45 °C (41 °F-113 °F)		
Batterie pack	Modèle	CUBE-BT-1000	CUBE-BTX-1000
	L × l × H*	354 × 289 × 152 mm (13,9 × 11,3 × 5,9 po)	348 × 289 × 135 mm (13,7 × 11,3 × 5,3 po)
	Poids net*	10 kg (22 lbs)	9,9 kg (21,8 lbs)
	Type de batterie	Batterie LFP (LiFePO ₄)	
	Capacité nominale	20 Ah	
	Énergie nominale	1024 Wh	
	Tension nominale	51,2 V=	
	Tension de charge max.	57,6 V=	
	Protection IP	IP56	
	Système de gestion de batterie	Protection contre les surchauffes, les surintensités et les surtensions.	

* La valeur réelle peut être légèrement différente en raison des différents outils et méthodes de mesure.

9 Dépannage

Code d'erreur	Causes possibles	Solution
E01	Protection contre la surchauffe de la batterie	Veillez refroidir la batterie
E02	Protection la basse température de la batterie	Veillez ramener la batterie à la température normale.
E03	Protection contre les sous-tensions de la batterie	Veillez charger immédiatement.
E04	Erreur de communication de la batterie 1	1. Éteignez la station d'alimentation et vérifiez que la batterie est correctement connectée. 2. Redémarrez la station d'alimentation.
E05	Erreur de communication de la batterie 2	Remarque : si le code d'erreur persiste après l'application des méthodes ci-dessus, il se peut que le pack batterie soit endommagé.
E06	Protection contre la surchauffe pendant la charge	1. Veillez refroidir la station d'alimentation. 2. Vérifiez le ventilateur et les événements de refroidissement, et appliquez la dissipation de chaleur pour la station d'alimentation.
E07	Protection contre la surchauffe pendant la décharge	1. Vérifiez le type de panneau solaire (80 V/20 A). En cas d'appariement, le circuit matériel du panneau solaire peut être endommagé, veuillez contacter le service après-vente pour obtenir de l'aide. 2. Si ce n'est pas le cas, déconnectez le panneau solaire.
E08	Anomalie de la charge solaire	1. Vérifiez le type de panneau solaire (80 V/20 A). En cas d'appariement, le circuit matériel du panneau solaire peut être endommagé, veuillez contacter le service après-vente pour obtenir de l'aide. 2. Si ce n'est pas le cas, déconnectez le panneau solaire.
E09	Erreur d'entrée CA	Anomalie de l'entrée CA causée par un réseau électrique instable, veuillez déconnecter le câble de charge CA.
E10	Surcharge ou court-circuit de la sortie voiture	Déconnectez les appareils branchés. Éteignez la sortie CC après 5 secondes et réessayez plus tard.
E11	Surcharge ou court-circuit de la sortie USB	Déconnectez les appareils USB.
E12	Protection contre la surcharge de la sortie CA	Déconnectez les appareils branchés. Coupez la sortie CA après 5 secondes et réessayez plus tard.
E13	Protection contre les courts-circuits de la sortie CA	Déconnectez les appareils branchés. Coupez la sortie CA après 5 secondes et réessayez plus tard.
E14	Dysfonctionnement de l'onduleur	Déconnectez les appareils à courant alternatif. Coupez la sortie CA après 5 secondes et réessayez plus tard.
E15	Dysfonctionnements de la batterie	Maintenez la station d'alimentation à l'arrêt et redémarrez-la.
E16	Dysfonctionnement des fils internes	Déconnectez tous les dispositifs d'entrée/sortie et redémarrez la station d'alimentation.

* Pour les codes d'erreur de E09 à E16, si le code d'erreur persiste après avoir utilisé les méthodes ci-dessus, veuillez contacter le service après-vente pour obtenir de l'aide.

10 Certification

Déclaration de conformité de l'Union européenne Informations importantes sur les DEEE



Ce symbole sur le produit ou sur son emballage indique que les produits électriques et électroniques usagés ne doivent pas être mélangés avec les déchets ménagers non triés. Pour un traitement approprié, il est de votre responsabilité d'éliminer vos déchets d'équipements en prenant des dispositions pour les rapporter aux points de collecte désignés.

L'élimination correcte de ce produit contribuera à économiser des ressources précieuses et à prévenir tout effet négatif potentiel sur la santé humaine et l'environnement, qui pourrait autrement résulter d'un traitement inapproprié des déchets. Des sanctions peuvent être applicables en cas d'élimination incorrecte de ces déchets, conformément à votre législation nationale.

Veuillez contacter votre autorité locale pour plus de détails sur le point de collecte désigné le plus proche.

Informations sur le recyclage de la batterie pour les utilisateurs



Ce symbole signifie que les piles et accumulateurs, en fin de vie, ne doivent pas être mélangés avec les déchets municipaux non triés. Votre participation est une part importante de l'effort visant à minimiser l'impact des piles et accumulateurs sur l'environnement et sur la santé humaine. Pour un recyclage approprié, vous pouvez retourner ce produit ou les piles ou accumulateurs qu'il contient à votre fournisseur ou à un point de collecte désigné, ce qui est gratuit.

L'élimination correcte de ce produit contribuera à économiser des ressources précieuses et à prévenir tout effet négatif potentiel sur la santé humaine et l'environnement, qui pourrait autrement résulter d'un traitement inapproprié des déchets. Des sanctions peuvent être applicables en cas d'élimination incorrecte de ces déchets, conformément à votre législation nationale. Il existe des systèmes de collecte séparés pour les piles et accumulateurs usagés.

Veuillez éliminer correctement les piles et accumulateurs dans votre centre local de collecte/recyclage des déchets.

Directive sur la limitation de l'utilisation de certaines substances dangereuses (RoHS)

Ninebot New Energy Technology (Beijing) Co., Ltd. déclare par la présente que l'ensemble du produit, y compris les pièces (câbles, cordons, etc.) est conforme aux exigences de la directive RoHS 2011/65/UE et de l'amendement à la directive déléguée de la Commission (UE) 2015/863 sur la restriction de l'utilisation de certaines substances dangereuses dans les équipements électriques et électroniques (« Refonte RoHS » ou « RoHS 2.0 »).

Règlement de 2012 sur la restriction de l'utilisation de certaines substances dangereuses dans les équipements électriques et électroniques

Ninebot New Energy Technology (Beijing) Co., Ltd. déclare par la présente que l'ensemble du produit, y compris les pièces (câbles, cordons, etc.), est conforme aux exigences de la réglementation de 2012 sur la restriction de l'utilisation de certaines substances dangereuses dans les équipements électriques et électroniques.



Règlement sur les équipements radio 2017

Ninebot New Energy Technology (Beijing) Co., Ltd. déclare par la présente que le produit répertorié dans cette section est conforme aux exigences essentielles et aux autres dispositions pertinentes de la directive sur les équipements radio 2017.

Règlement de 2012 sur la restriction de l'utilisation de certaines substances dangereuses dans les équipements électriques et électroniques

Ninebot New Energy Technology (Beijing) Co., Ltd. déclare par la présente que l'ensemble du produit, y compris les pièces (câbles, cordons, etc.), est conforme aux exigences de la réglementation de 2012 sur la restriction de l'utilisation de certaines substances dangereuses dans les équipements électriques et électroniques.



Directive sur les équipements radio

Ninebot New Energy Technology (Beijing) Co., Ltd. déclare par la présente que le produit répertorié dans cette section est conforme aux exigences essentielles et aux autres dispositions pertinentes de la directive sur les équipements radio 2014/53/UE.

Bluetooth	Bande(s) de fréquence	2,4000 - 2,4835 GHz
	Puissance radio max.	20 mW

11 Marque commerciale et déclaration légale

Segway et Rider Design sont des marques commerciales de Segway Inc. ; Ninebot est une marque commerciale de Ninebot (Beijing) Tech Co., Ltd. ; App Store® et le Apple logo® sont des marques déposées d'Apple Inc. ; La marque verbale et les logos Bluetooth® sont des marques déposées appartenant à Bluetooth SIG, Inc. et toute utilisation de ces marques par Segway-Ninebot se fait sous licence. Les autres marques et noms commerciaux appartiennent à leurs propriétaires respectifs.

En raison des améliorations constantes des produits, ce manuel et les produits réels peuvent être légèrement différents en termes de couleur, d'apparence, etc. Le produit réel prévaudra en cas de divergence entre le produit réel et le manuel.

©2023 Ninebot (Beijing) Technology Co, Ltd. Tous droits réservés.

Déclaration légale

1. Avant d'utiliser la station d'alimentation portable Segway (« Produit »), veuillez lire attentivement le manuel de l'utilisateur afin de vous assurer d'une utilisation correcte et d'une compréhension totale. Après lecture, veuillez conserver le manuel de l'utilisateur en lieu sûr pour référence ultérieure. Si vous n'utilisez pas ce produit correctement, vous risquez de vous blesser gravement ou de blesser d'autres personnes, d'endommager le produit et de subir des pertes matérielles.
2. En utilisant le produit, vous êtes censé comprendre, reconnaître et accepter l'ensemble des conditions et du contenu du présent document. L'utilisateur assume la responsabilité de ses actes et de toutes les conséquences découlant de l'utilisation du produit. Segway ne pourra être tenu responsable d'aucune réclamation, responsabilité ou perte liée à de telles conséquences si elle est due à la prise de risque par l'utilisateur.
3. Ne permettez pas à des personnes qui n'ont pas lu attentivement ce manuel ou qui ne sont pas familiarisées avec l'utilisation correcte et les précautions de sécurité du produit de l'utiliser.
4. À la réception du produit, veuillez vérifier immédiatement si le produit et ses accessoires sont intacts et complets. Tous les accessoires doivent être utilisés conformément au manuel d'instructions.
5. Avertissement : Toute dégradation des performances de la batterie ou incapacité à fonctionner correctement causée par le fait que l'utilisateur n'a pas utilisé et entretenu la batterie correctement n'est pas couverte par la garantie limitée.
6. Dans la mesure permise par la loi, Segway se réserve le droit de fournir l'interprétation et l'explication finales de cette déclaration.

La présente déclaration légale est régie par les lois de l'État dans lequel votre produit est installé, sauf dans la mesure où elle est incompatible avec la loi fédérale ou préemptée par celle-ci. Segway ne peut être tenu responsable de toute réclamation, responsabilité ou perte résultant de la violation par le consommateur de la déclaration ci-dessus.

Vous pouvez choisir d'accepter les conditions ci-dessus et d'utiliser le produit en conséquence, ou de procéder à la procédure de retour conformément à la garantie limitée. Lors du retour du produit, veuillez vous assurer que le produit et l'emballage sont intacts afin de ne pas nuire à la revente.

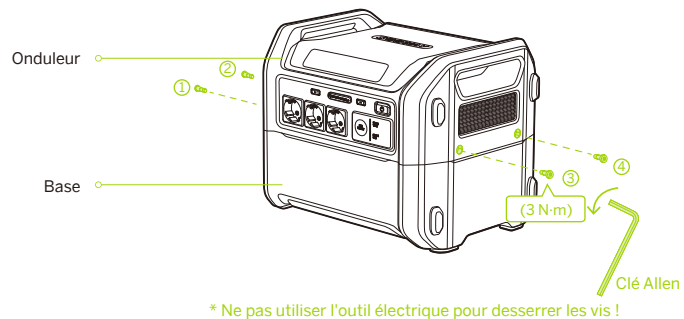
Si vous avez l'intention de revendre ou d'offrir le produit, n'oubliez pas d'inclure cette déclaration légale, car elle fait partie intégrante du produit.

Si vous avez des questions ou si vous avez besoin d'aide, Segway se tient à votre disposition.

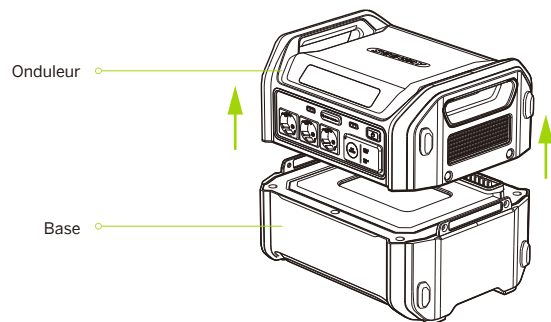
Une fois de plus, nous vous remercions d'avoir choisi notre produit et de nous avoir fait confiance.

Annexe : Extension de la batterie

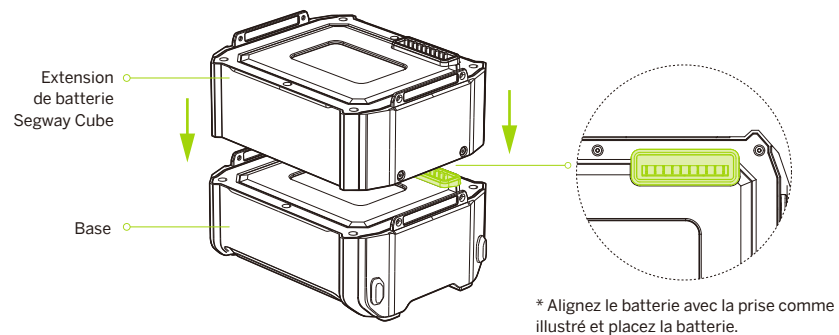
- 1 Desserrez les quatre vis à l'aide de la clé Allen de 3 mm.



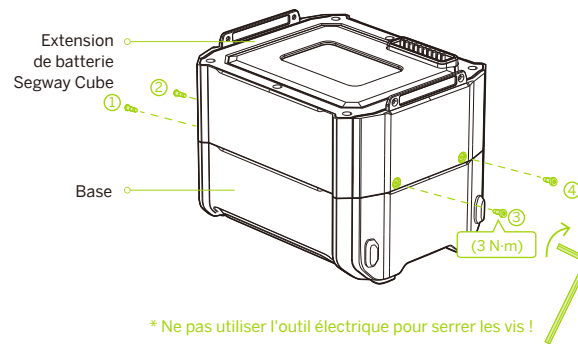
- 2 Séparer l'onduleur et la base.



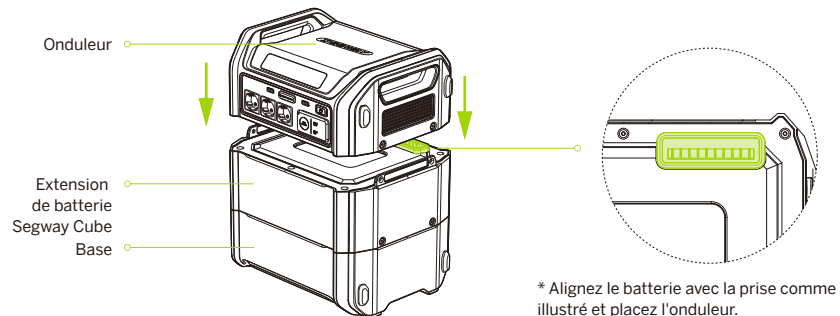
- 3 Placez le pack batterie sur la base.



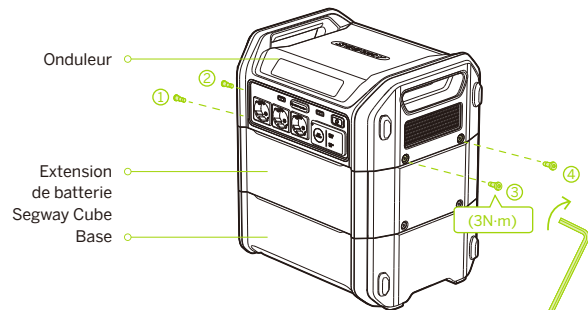
- 4 Serrez les quatre vis.



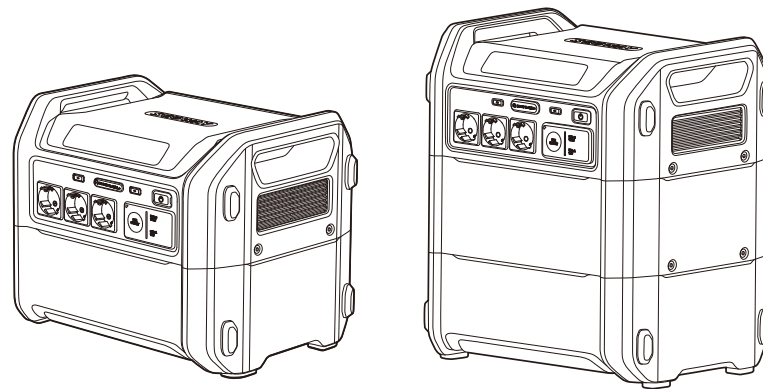
5 Placez l'onduleur sur le pack batterie.



6 Serrez les quatre vis.



* Ne pas utiliser l'outil électrique pour serrer les vis !



SEGWAY
Segway Portable Power Station
CUBE-1000 / CUBE-2000

Benutzerhandbuch

Inhalt

1. Sicherheitshinweise	01
2. Packliste	04
3. Produktübersicht	05
4. Verwendung der Power Station	09
5. Wie man die Power Station auflädt	12
6. Einstellungen	15
7. App-Benutzerhandbuch	17
8. Technische Daten	19
9. Fehlerbehebung	20
10. Zertifizierung	21
11. Marken- und Rechtshinweise	22
Anhang: Akkuerweiterung	24

1 Sicherheitshinweise

WICHTIGE SICHERHEITSANWEISUNGEN

- **WARNHINWEIS** - Bei der Verwendung dieses Produkts sollten immer grundlegende Vorsichtsmaßnahmen beachtet werden, einschließlich der folgenden:
- Lesen Sie alle Anweisungen, bevor Sie das Produkt verwenden.
- Um die Verletzungsgefahr zu verringern, muss das Produkt bei der Verwendung in der Nähe von Kindern genau überwacht werden.
- Finger oder Hände nicht in das Produkt stecken.
- Die Verwendung von Anbaugeräten, die nicht vom Hersteller des Power Packs empfohlen oder verkauft werden, kann zu Feuer-, Stromschlag- oder Verletzungsgefahr für Personen führen.
- Um das Risiko einer Beschädigung des Steckers und des Kabels zu verringern, ziehen Sie beim Trennen des Power Packs am Stecker und nicht am Kabel.
- Verwenden Sie keine beschädigten oder modifizierten Akkusätze oder Geräte. Beschädigte oder modifizierte Akkus können ein unvorhersehbares Verhalten zeigen, das zu Feuer, Explosion oder Verletzungsgefahr führen kann.
- Betreiben Sie das Power Pack nicht mit einem beschädigten Kabel oder Stecker oder einem beschädigten Ausgangskabel.
- Nehmen Sie das Power-ack nicht auseinander, sondern bringen Sie es zu einem qualifizierten Kundendienst, wenn eine Wartung oder Reparatur erforderlich ist. Bei unsachgemäßem Zusammenbau besteht die Gefahr eines Brandes oder Stromschlags.
- Um die Gefahr eines Stromschlags zu verringern, ziehen Sie den Netzstecker des Power Packs aus der Steckdose, bevor Sie die vorgeschriebenen Wartungsarbeiten durchführen.
- Wenn Sie den internen Akku aufladen, arbeiten Sie in einem gut belüfteten Bereich und schränken Sie die Belüftung in keiner Weise ein.
- Unter ungünstigen Bedingungen kann Flüssigkeit aus dem Akku austreten; vermeiden Sie den Kontakt. Bei versehentlichem Kontakt mit Wasser spülen. Wenn die Flüssigkeit in die Augen gelangt, zusätzlich einen Arzt aufsuchen. Aus dem Akku austretende Flüssigkeit kann Reizungen oder Verbrennungen verursachen.
- Setzen Sie das Power Pack keinem Feuer oder übermäßigen Temperaturen aus. Bei Feuer oder Temperaturen über 130°C (265°F) besteht Explosionsgefahr.
- Lassen Sie die Wartung von einem qualifizierten Reparatur durchzuführen, der nur identische Ersatzteile verwendet. Dadurch wird gewährleistet, dass die Sicherheit des Produkts erhalten bleibt.
- Setzen Sie das Produkt keinen Zündquellen oder hohen Temperaturen aus, wie z. B. Fahrzeugen mit großer Hitze oder direktem Sonnenlicht.
- Halten Sie das Produkt trocken, tauchen Sie es nicht in Wasser und setzen Sie es keiner Feuchtigkeit aus. Verwenden Sie das Produkt nicht in regnerischen oder feuchten Umgebungen.
- Vermeiden Sie die Verwendung des Produkts in einer Umgebung mit starken statischen/magnetischen Feldern.
- Beachten Sie bei der Verwendung des Geräts die im Benutzerhandbuch angegebene Umgebungstemperatur für den Betrieb. Eine zu hohe Temperatur kann einen Brand oder eine Explosion verursachen; eine zu niedrige Temperatur kann die Leistung des Produkts ernsthaft beeinträchtigen oder das Produkt außer Betrieb setzen.

- Lagern Sie das Produkt über einen längeren Zeitraum an einem trockenen und belüfteten Ort.
- Vermeiden Sie es, den Lüfter zu blockieren oder das Gerät in einem ungelüfteten oder staubigen Bereich aufzustellen.
- Zerlegen Sie das Produkt nicht und stechen Sie nicht mit scharfen Gegenständen in das Produkt.
- Vermeiden Sie Stöße, Stürze oder starke Vibrationen. Sollte es zu einem schweren Aufprall kommen, schalten Sie das Gerät sofort aus und verwenden Sie es nicht mehr.
- Vermeiden Sie die Verwendung von Drähten oder anderen Metallgegenständen, die einen Kurzschluss verursachen können.
- Verwenden Sie zum Anschließen dieses Produkts keine beschädigten Kabel, Stecker oder Ausgangskabel, um einen Stromschlag zu vermeiden.
- Verwenden Sie keine inoffiziellen Komponenten oder Zubehörteile. Wenn Sie eine Komponente oder ein Zubehörteil ersetzen müssen, wenden Sie sich an den offiziellen Segway-Kanal.
- Stapeln Sie keine schweren Gegenstände auf dem Gerät.
- Stellen Sie das Gerät nicht auf eine instabile Oberfläche, damit es nicht umkippt oder herunterfällt.
- Stellen Sie sicher, dass das Produkt außerhalb der Reichweite von Kindern und Haustieren aufbewahrt wird.
- Dieses Produkt wird nicht für die Stromversorgung von medizinischen Notfallausrüstungen für die persönliche Sicherheit empfohlen, einschließlich medizinischer Beatmungsgeräte und künstlicher Lungen. Wenn Sie dieses Produkt betreiben müssen, befolgen Sie die Anweisungen Ihres Arztes und konsultieren Sie den Hersteller. Bei der Verwendung für allgemeine medizinische Geräte muss sichergestellt werden, dass die Stromversorgung in einwandfreiem Zustand ist.
- Bei der Verwendung dieses Produkts erzeugt das Netzteil elektromagnetische Felder, die den ordnungsgemäßen Betrieb von medizinischen Implantaten oder persönlichen medizinischen Geräten wie Herzschrittmachern, Cochlea-Implantaten, Hörgeräten, Defibrillatoren usw. beeinträchtigen können. Wenn diese Geräte verwendet werden, erkundigen Sie sich bitte beim Hersteller nach Einschränkungen für die Verwendung dieser Geräte, um sicherzustellen, dass medizinische Implantate während der Verwendung in einem sicheren Abstand zu diesem Produkt gehalten werden.
- Gefahr eines Stromschlags. Verwenden Sie das Power Pack niemals, um Werkzeuge zu betreiben, mit denen Sie stromführende Teile oder stromführende Leitungen durchtrennen können, oder um Zugang zu Materialien zu erhalten, in denen sich stromführende Teile oder stromführende Leitungen befinden können, wie z. B. Gebäudewände usw.

DIESE ANWEISUNGEN SPEICHERN

ANWEISUNGEN ZUR ERDUNG

Dieses Produkt muss geerdet werden. Im Falle einer Fehlfunktion oder eines Ausfalls stellt die Erdung den Weg des geringsten Widerstands für den elektrischen Strom dar, um das Risiko eines Stromschlags zu verringern. Dieses Produkt ist mit einem Kabel mit einem Erdungsleiter und einem Erdungsstecker ausgestattet. Der Stecker muss in eine ordnungsgemäß installierte und geerdete Steckdose eingesteckt werden, die allen örtlichen Vorschriften entspricht.

WARNHINWEIS - Bei unsachgemäßem Anschluss des Geräteerdungsleiters besteht die Gefahr eines Stromschlags. Wenden Sie sich an einen qualifizierten Elektriker, wenn Sie Zweifel haben, ob das Gerät richtig geerdet ist. Ändern Sie den mit dem Produkt gelieferten Stecker nicht - wenn er nicht in die Steckdose passt, lassen Sie eine geeignete Steckdose von einem qualifizierten Elektriker installieren.

Tägliche Wartung

Wenn das Produkt länger als 30 Tage nicht benutzt wird, laden Sie es bitte vollständig auf und lagern Sie es an einem kühlen und trockenen Ort. Wenn der Akku nicht innerhalb von 6 Monaten maximal aufgeladen wird, besteht die Gefahr, dass er beschädigt wird.

Richtlinien für die Entsorgung von Akkus

- Achten Sie bei der Entsorgung des Akkus darauf, dass er vollständig entladen ist, und werfen Sie ihn in den dafür vorgesehenen Behälter für das Recycling von Batterien.
- Der Akku dieses Produkts enthält chemische Substanzen und darf nicht im Hausmüll entsorgt werden. Bitte beachten Sie die örtlichen Gesetze und Vorschriften zum Recycling und zur Entsorgung von Batterien.
- Wenn der Akku aufgrund eines Produktfehlers nicht vollständig entladen werden kann, entsorgen Sie den Akku bitte nicht direkt in der Batterietonne. Bitte wenden Sie sich für die weitere Entsorgung an ein professionelles Batterie-Recycling-Unternehmen.

Sicherheitsvorkehrungen beim Aufladen

- Wenn Sie zwei oder mehr Solarmodule verwenden, um das Produkt aufzuladen, verwenden Sie bitte denselben Typ von Solarmodul. Das Produkt kann mit einem, zwei oder vier Solarmodulen verbunden werden. Wenn Sie vier Solarmodule zum Aufladen des Geräts verwenden, stellen Sie sicher, dass die Verbindung zwischen den Solarmodulen zwei in Reihe und zwei parallel ist.
- Laden Sie das Produkt nicht gleichzeitig mit Auto-Ladekabeln und Solarmodulen auf, da dies die Sicherung beschädigen kann.
- Es wird empfohlen, das Segway-Zubehör - Segway Solar Panel SP zum Solar-Laden zu verwenden. Die Verwendung von Solarmodulen anderer Hersteller kann Schäden verursachen, für die wir nicht verantwortlich sind.

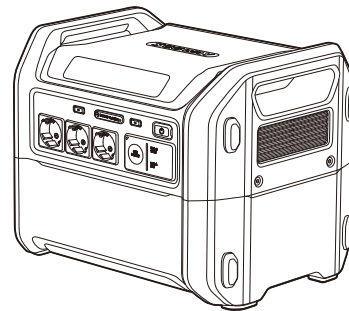
Hochtemperatur-Warnhinweis:

Die Produkttemperatur kann zu hoch sein, um elektrische Geräte mit hoher Leistung über einen längeren Zeitraum zu betreiben, und der Hochtemperaturschutz kann ausgelöst werden. Um die Sicherheit des Akkus zu gewährleisten, begrenzt das Produkt automatisch die Ausgangsleistung, um die Temperatur zu senken. Wenn der Grenzwert erreicht wurde, wird der Ausgang abgeschaltet und die Ladefunktion ist nicht verfügbar. Wenn dieser Warnhinweis erscheint, unterbrechen Sie bitte sofort die Verwendung der Hochleistungsverbraucher, lassen Sie das Gerät abkühlen und versuchen Sie dann erneut, es zu verwenden.

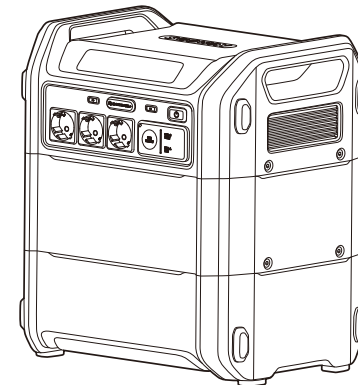
Wir nehmen Ihre Sicherheit und den Schutz unserer Produkte sehr ernst. Wenn Sie Fragen oder Anregungen haben, wenden Sie sich bitte an den Segway-Kundendienst.

2 Packliste

Segway Portable Power Station:



CUBE-1000 x 1



CUBE-2000 x 1

Zubehör:



AC-Ladekabel x 1



Auto-Ladekabel x 1



3 mm
Innensechskantschlüssel x 1
* Nur für CUBE-2000

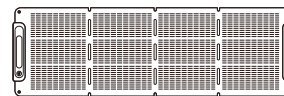


Benutzer-
handbuch x 1

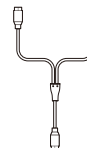


Gewährleistungs-
bestimmungen x 1

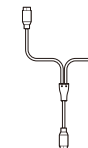
Separat erhältliches Zubehör:



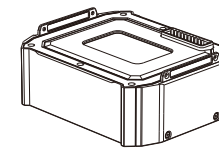
Segway Solar Panel SP



Serieller Anschluss



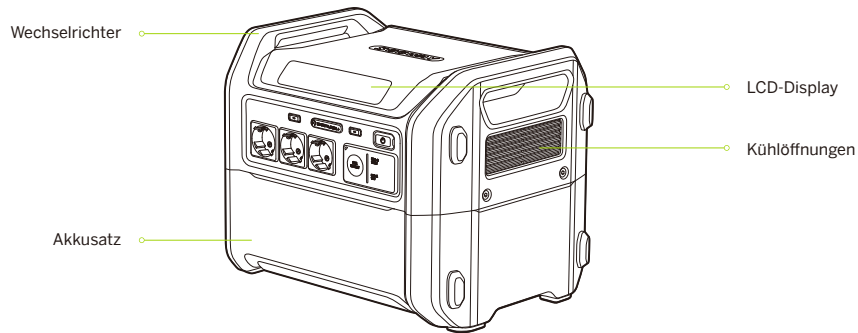
Paralleler Anschluss



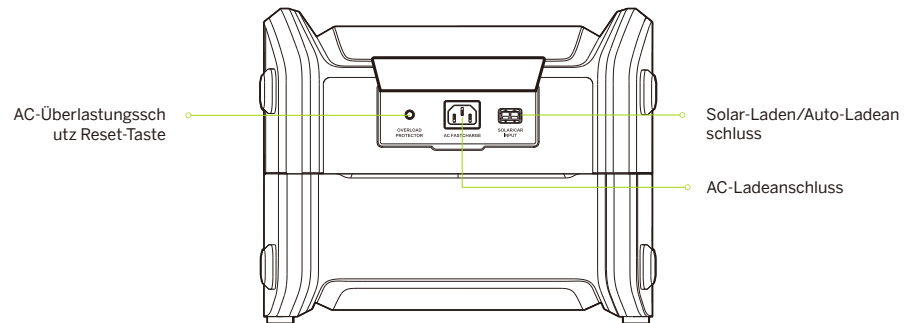
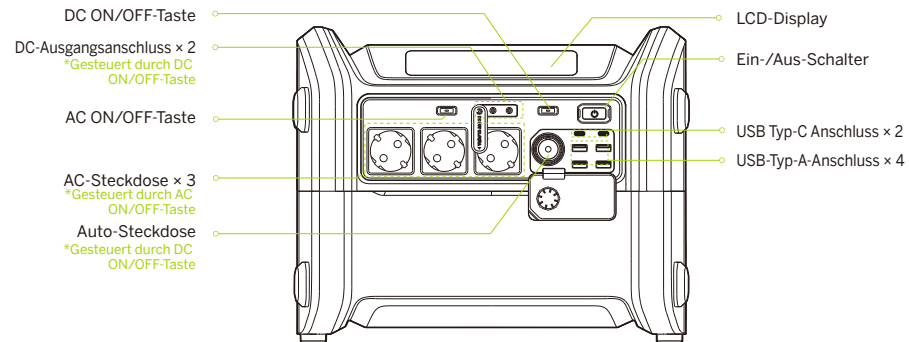
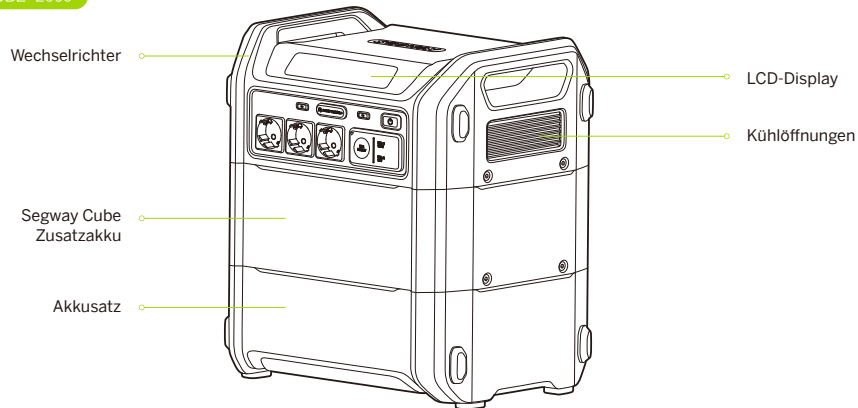
Segway Cube Zusatzakku

3 Produktübersicht

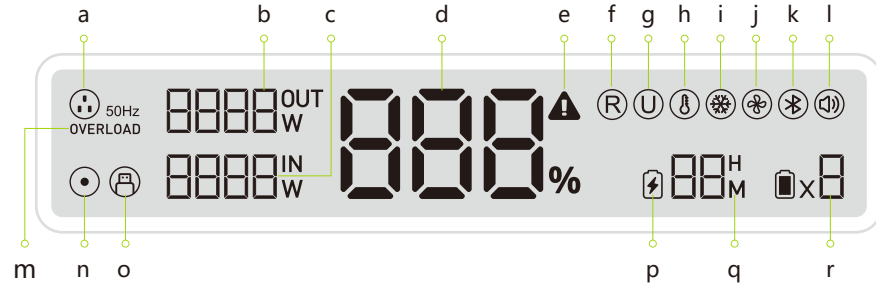
CUBE-1000



CUBE-2000



Display-Übersicht



a 50Hz
AC-Ausgang
Das Steckersymbol wird als AC-Ausgang angezeigt, die Ausgangsfrequenz beträgt 50 Hz.

b **OUT W**
Ausgangsleistung

c **IN W**
Eingangsleistung

d **%%**
Akkuleistung

e **!**
Warnhinweis
Wenn das Symbol aufleuchtet, bedeutet dies, dass der Übertemperaturschutz, der Untertemperaturschutz oder der AC-Überlastungsschutz ausgelöst wurde.

f **R**
R-Drive
Intelligente Anpassung der Betriebsleistung von Elektrogeräten und Sicherstellung, dass diese mit der Nennleistung des Wechselrichters arbeiten. Unterstützt Verbraucher bis zu 4400 W.

g **U**
USV (Unterbrechungsfreie Stromversorgung)
Schaltet automatisch auf Wechselrichterbetrieb um, wenn der AC-Eingang durch einen Netzausfall unterbrochen wurde, und sorgt dafür, dass elektrische Geräte normal funktionieren.

h **!**
Übertemperaturschutz
Ein Teil der Eingangs-/Ausgangsleistung wird automatisch reduziert, wenn die Gerätetemperatur zu hoch ist.

i **!**
Untertemperaturschutz
Ein Teil der Eingangs-/Ausgangsleistung wird automatisch reduziert, wenn die Gerätetemperatur zu niedrig ist.

j **!**
Kühllüfter
Das Symbol zeigt an, dass der Lüfter in Betrieb ist.

k **!**
Bluetooth
Das Symbol blinkt während des Verbindungsaufbaus und bleibt an, wenn das Gerät erfolgreich verbunden ist.

l **!**
Tastenton

m **!**
OVERLOAD
AC-Ausgang Überlast

n **!**
DC-Ausgang/Auto-Steckdose

o **!**
USB-Ausgang

p **!**
Aufladen

q **!**
Verbleibende Entlade-/Ladezeit

r **!**
Akkusatz-Anzahl
CUBE-1000 x 1
CUBE-2000 x 2

4 Verwendung der Power Station

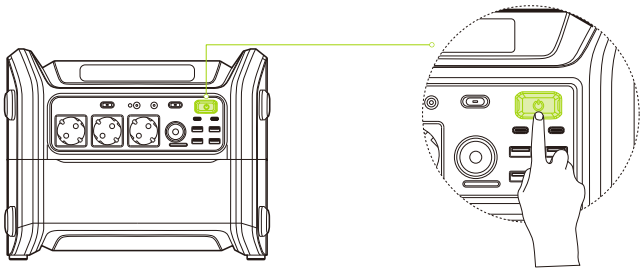
* dargestellt mit CUBE-1000

1 Ein-/Aus-switchen

Halten Sie die Ein-/Aus-Schalter als 1 Sekunde gedrückt, um das Gerät ein-/auszuschalten. Drücken Sie den Ein-/Aus-Schalter, um das Gerät aufzuwecken oder zu dimmen Bildschirm, wenn die Power Station eingeschaltet ist.

Eingeschaltet: Die Power Station gibt einen Signalton ab und die Tastenanzeige leuchtet weiß.

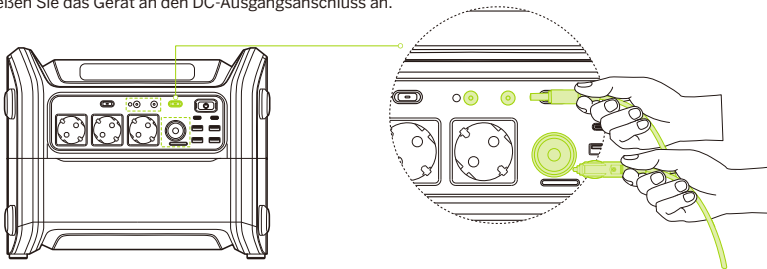
Ausgeschaltet: Die Power Station gibt einen Signalton ab und die Tastenanzeige erlischt.



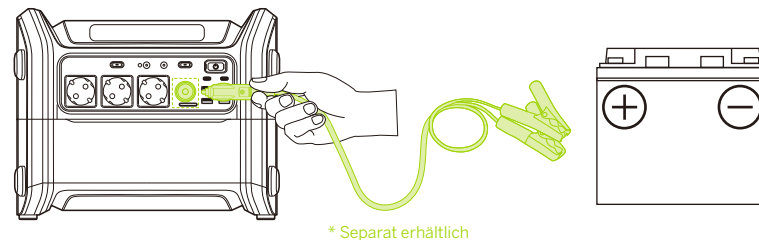
2 DC-Ausgang

* DC-Ausgang × 2 / Auto-Steckdose × 1

a) Wenn die Power Station eingeschaltet ist, drücken Sie die DC ON/OFF-Taste, um den DC-Ausgang einzuschalten, und schließen Sie das Gerät an den DC-Ausgangsanschluss an.



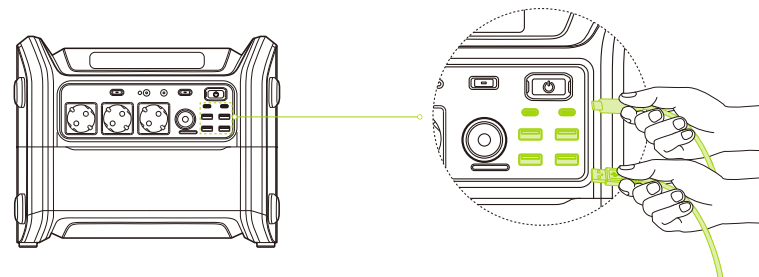
b) Drücken Sie die DC ON/OFF-Taste, um die Auto-Steckdose einzuschalten. Die Auto-Steckdose unterstützt Konstantstrom-Ausgang, und kann das spezifische Kabel verwenden, um die Autobatterie zu laden. (nur zum Aufladen, kann nicht verwendet werden, um Starthilfe für das Fahrzeug zu geben).



* Separat erhältlich

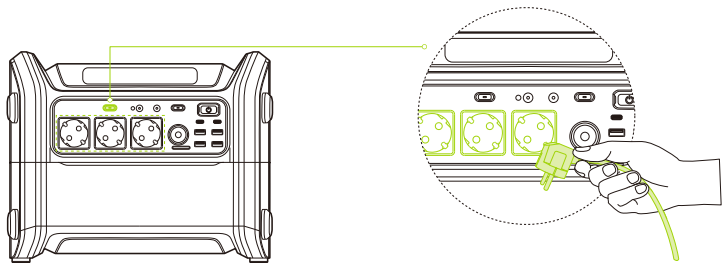
3 USB-Ausgang

Schließen Sie das Gerät an den USB-Ausgangsanschluss an.



4 AC-Ausgang

Wenn die Power Station eingeschaltet ist, drücken Sie die AC ON/OFF-Taste, um den AC-Ausgang einzuschalten, und schließen Sie das Gerät an die AC-Steckdose an.

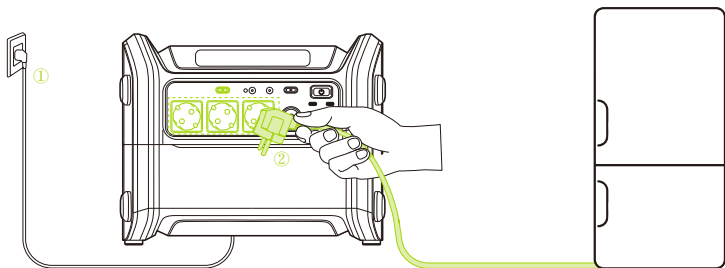


5 USV-Funktion

Wenn die USV-Funktion eingeschaltet ist:

- ① Stecken Sie das AC-Ladekabel in die Steckdose und verbinden Sie das andere Ende mit dem AC-Ladeanschluss der Power Station.
- ② Drücken Sie die AC ON/OFF-Taste, um den AC-Ausgang einzuschalten, und schließen Sie das AC-Gerät an die AC-Steckdose an.

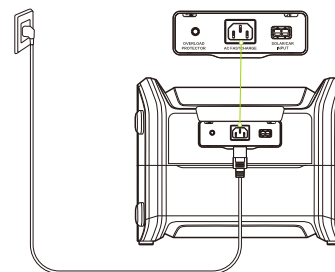
* An diesem Punkt wird die USV-Funktion aktiviert, und die Power Station schaltet automatisch auf Wechselrichterbetrieb um, wenn das Stromnetz ausfällt.



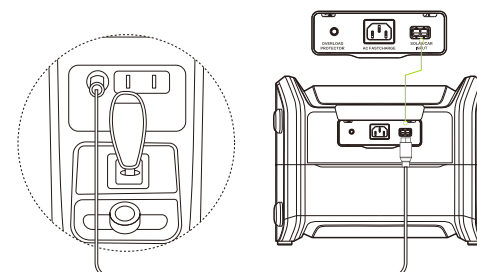
5 Wie man die Power Station auflädt

Die Power Station verfügt über zwei Ladeanschlüsse, einen AC-Ladeanschluss und einen Solar-/Auto-Ladeanschluss. Beim Aufladen der Power Station wird auf dem Display der Ladestatus angezeigt. Es gibt fünf Lademethoden (siehe unten). Dual-Aufladen ist ebenfalls möglich.

- ① AC-Laden
- ② Auto-Laden
- ③ Solar-Laden
- ④ AC- und Solar-Laden
- ⑤ AC- und Auto-Laden



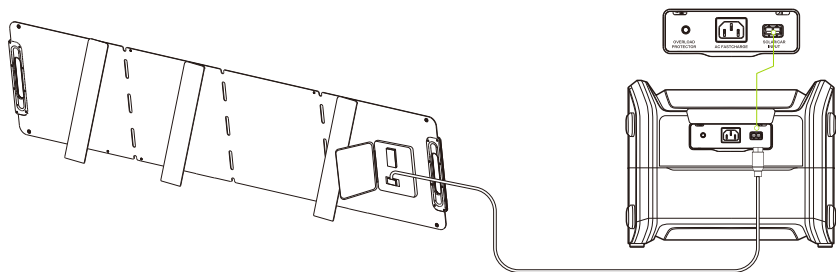
AC-Laden



Auto-Laden

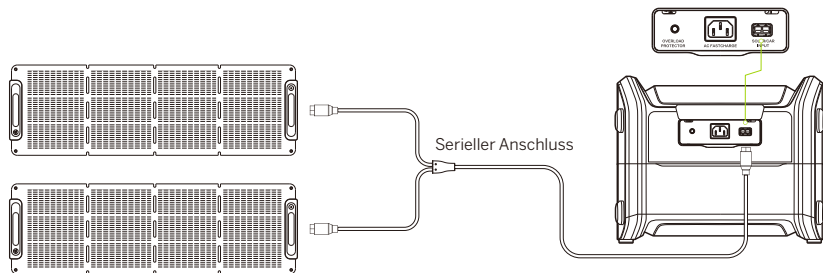
Solar-Laden

a. Einzelnes Solarmodul



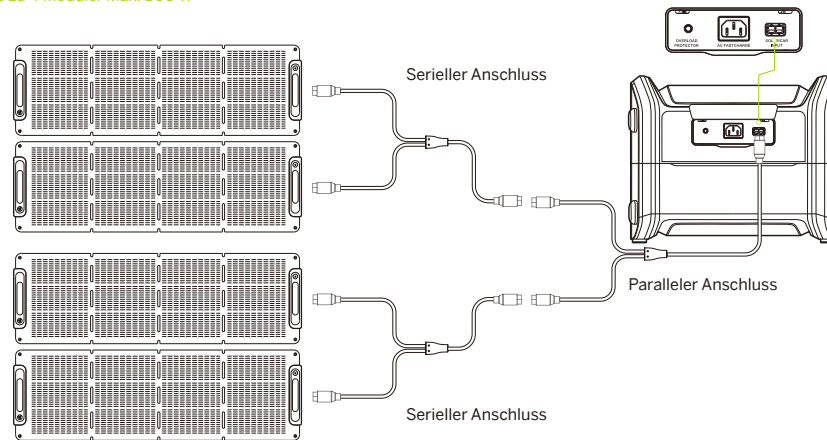
b. Mehrere Solarmodule

2 Module



4 Module

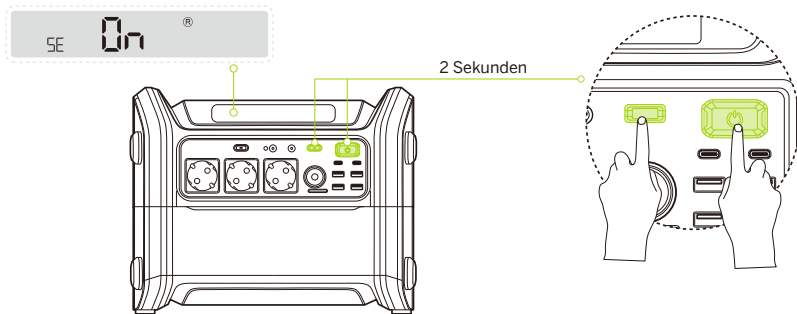
* Bis zu 4 Module/Max. 800 W



6 Einstellungen

Wenn die Power Station ausgeschaltet ist, halten Sie die DC ON/OFF-Taste und den Ein-/Aus-Schalter gleichzeitig 2 Sekunden lang gedrückt, um zu den Einstellungen zu gelangen.

Hinweis: Das Aufladen und Entladen ist während der Einstellung nicht möglich.



Grundlegende Funktionen der Tasten



Ein-/Aus-Schalter: Drücken, um die Einstellungen zu speichern und zum Beenden.










AC ON/OFF-Taste: Gehen Sie zur nächsten Einstellung.

DC ON/OFF-Taste: Wechseln Sie zwischen den Optionen der aktuellen Einstellung.

Einstellungen

Hinweis: Es wird empfohlen, diese Einstellungen direkt über die Segway-Ninebot-App vorzunehmen.

Symbol	Einstellung	Display	Optionen
	R-Drive [®]	 	<p>Die Standardeinstellung ist Ein. Die Funktion kann ein- und ausgeschaltet werden.</p> <p>* Diese Funktion ist nur für Widerstandsgeräte anwendbar. Schalten Sie diese Funktion sofort aus, wenn die Geräte nicht normal arbeiten können.</p>

Symbol	Einstellung	Display	Optionen
	UPS (Unterbrechungsfreie Stromversorgung) [®]	 	Die Standardeinstellung ist Ein. Die Funktion kann ein- und ausgeschaltet werden.
	Lüftermodus	 	Es sind zwei Modi verfügbar. Aktiver Kühlmodus: Der Ventilator arbeitet automatisch und hält die Power Station auf einer relativ niedrigen Temperatur. Lautloser Modus: Das Gebläse arbeitet automatisch und läuft mit einer relativ niedrigen Geschwindigkeit und Frequenz.
	Tastenton	 	Die Standardeinstellung ist Ein. Der Tastenton kann ein-/ausgeschaltet werden.

Eigenschaften

1 R-Drive

Diese Funktion gilt nicht für alle Elektrogeräte, sondern nur für Widerstandsgeräte, wie Haartrockner und Wasserkocher. Bitte testen Sie die Kompatibilität vor der Verwendung. Hochleistungsgeräte wie Klimaanlage, Kaffeemaschinen, Trockner, Elektroherde, große Kühlschränke, Mikrowellenherde, Rasenmäher, Backöfen und Waschmaschinen sind nicht kompatibel.

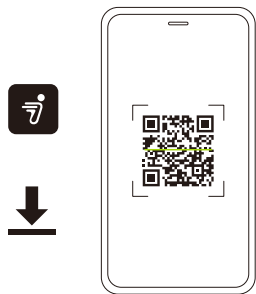
2 USV (Unterbrechungsfreie Stromversorgung)

Wenn Sie die Power Station an die AC-Stromquelle anschließen und dann die Geräte an die Wechselstromsteckdose der Power Station anschließen, werden die Geräte von der Wechselstromquelle mit Strom versorgt, nicht von der Power Station. Wenn die AC-Stromquelle ausfällt, schaltet die Power Station innerhalb von 20-30 ms automatisch auf Wechselrichterbetrieb für die Geräte um.

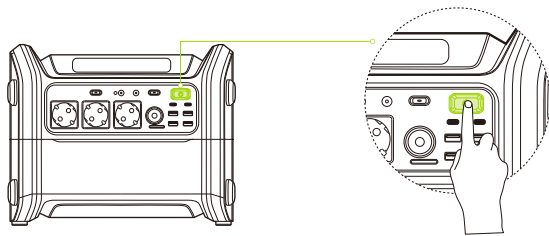
Die USV-Funktion ist ein Offline-Typ und unterstützt keinen 0-ms-Schalter. Verwenden Sie die Power Station nicht zum Laden von Geräten, die eine kontinuierliche Stromversorgung benötigen. Bitte testen Sie die Kompatibilität vor der Verwendung.

7 App-Benutzerhandbuch

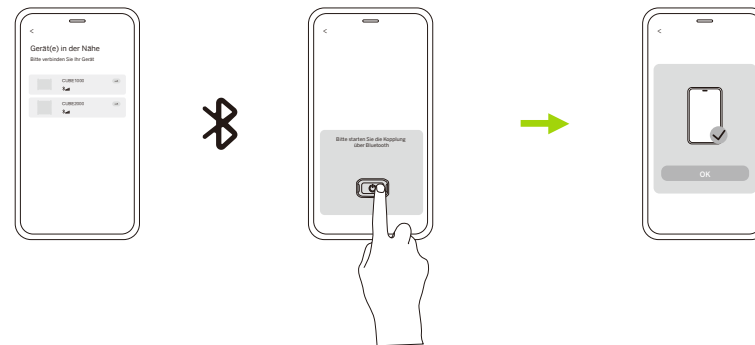
- 1 Scannen Sie den QR-Code, um die Segway-Ninebot-App herunterzuladen und sich zu registrieren oder anzumelden.



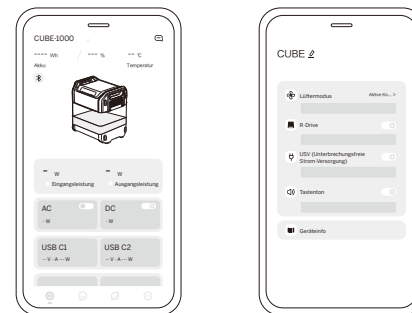
- 2 Halten Sie den Ein-/Aus-Schalter gedrückt, um die Power Station einzuschalten.



- 3 Tippen Sie auf „Gerät hinzufügen“ und folgen Sie den Anweisungen, um eine Verbindung zur Power Station über Bluetooth herzustellen.



- 4 Passen Sie die Einstellungen direkt über die App an. Überprüfen Sie die Echtzeitinformationen über die verbleibende Akkukapazität, die Temperatur, die Eingangs-/Ausgangsleistung der einzelnen Eingangs-/Ausgangsanschlüsse usw.



8 Technische Daten

Power Station	Produktname	Segway Portable Power Station Cube	
	Modell	CUBE-1000	CUBE-2000
	L × B × H*	354 × 289 × 284 mm (13,9 × 11,3 × 11,1 Zoll)	354 × 289 × 399 mm (13,9 × 11,3 × 15,7 Zoll)
	Nettogewicht*	16,2 kg (35,7 lbs)	26,1 kg (57,5 lbs)
	Wechselrichter-Modell	CUBE-IV-2200	
	Mitgeliefertes Akkusatz-Modell	CUBE-BT-1000	CUBE-BT-1000, CUBE-BTX-1000
	Nennfrequenz	50 Hz	
	Max. gesamte Leistung des Ausgangs	2200 W	2584 W
	AC Max. Ausgangsleistung	2200 W	
	DC Max. Ausgangsleistung	384 W	
	AC-Eingang	230 V~ 50 Hz 1250 W Max	
	Auto-Eingang	12 V/24 V = 200 W Max	
	Solar modul-Eingang	12-60 V = 800 W Max	
	AC-Ausgang (× 3)	230 V~, 9,56 A, 50 Hz, 2200 W Max (Wechselrichtermodus, reine Sinuswelle) / 230 V~, 50 Hz, 5,2 A Max (Bypass-Modus)	
	Auto-Steckdose	13,6 V = 10 A 136 W Max	
	DC5525-Ausgang (× 2)	13,6 V = 5 A 68 W Max	
USB Typ-A Ausgang (× 4)	5/9/12 V = 3 A 18 W Max		
USB Typ-C Ausgang (× 2)	5/9/12/15/20 V = 5 A 100 W Max		
Entladetemperatur	-10°C~45°C (14°F~113°F)		
Ladetemperatur	5°C~45°C (41°F~113°F)		
Akku Satz	Modell	CUBE-BT-1000	CUBE-BTX-1000
	L × B × H*	354 × 289 × 152 mm (13,9 × 11,3 × 5,9 Zoll)	348 × 289 × 135 mm (13,7 × 11,3 × 5,3 Zoll)
	Nettogewicht*	10 kg (22 lbs)	9,9 kg (21,8 lbs)
	Akku-Typ	LFP (LiFePO ₄) Akku	
	Nennkapazität	20 Ah	
	Nennenergie	1024 Wh	
	Nennspannung	51,2 V =	
	Max. Ladespannung	57,6 V =	
	IP-Schutzklasse	IP56	
	Akkumanagementsystem	Schutz gegen Übertemperatur, Überstrom und Überspannung.	

* Der tatsächliche Wert kann aufgrund unterschiedlicher Messgeräte und -methoden geringfügig von diesem abweichen.

9 Fehlerbehebung

Fehlercode	Mögliche Ursachen	Lösung
E01	Schutz vor Übertemperatur des Akkus	Bitte kühlen Sie den Akku ab
E02	Schutz bei niedriger Temperatur des Akkus	Bitte bringen Sie den Akku wieder auf die normale Temperatur.
E03	Unterspannungsschutz des Akkus	Bitte sofort aufladen!
E04	Kommunikationsfehler des Akkus 1	1. Schalten Sie die Power Station aus und prüfen Sie, ob der Akkusatz richtig angeschlossen ist. 2. Starten Sie die Power Station neu. Hinweis: Wenn der Fehlercode auch nach Anwendung der oben genannten Methoden weiterhin besteht, ist der Akkusatz möglicherweise beschädigt.
E05	Kommunikationsfehler des Akkus 2	1. Schalten Sie die Power Station aus und prüfen Sie, ob der Akkusatz richtig angeschlossen ist. 2. Starten Sie die Power Station neu. Hinweis: Wenn der Fehlercode auch nach Anwendung der oben genannten Methoden weiterhin besteht, ist der Akkusatz möglicherweise beschädigt.
E06	Übertemperaturschutz beim Laden	1. Bitte kühlen Sie die Power Station ab. 2. Überprüfen Sie den Lüfter und die Lüftungsöffnungen und sorgen Sie für die Wärmeabfuhr der Power Station.
E07	Übertemperaturschutz beim Entladen	1. Bitte kühlen Sie die Power Station ab. 2. Überprüfen Sie den Lüfter und die Lüftungsöffnungen und sorgen Sie für die Wärmeabfuhr der Power Station.
E08	Anomalie beim Solar-Laden	1. Überprüfen Sie den Typ des Solarmoduls (80 V/20 A). Wenn die Hardware-Schaltung des Solarmoduls beschädigt ist, wenden Sie sich bitte an den Kundendienst, um Unterstützung zu erhalten. 2. Wenn nicht, trennen Sie bitte das Solarmodul ab.
E09	AC-Eingangsfehler	AC-Eingangsstörung aufgrund eines instabilen Stromnetzes, bitte ziehen Sie das AC-Ladekabel ab.
E10	Überlastung oder Kurzschluss des Auto-Ausgangs	Trennen Sie die Verbraucher ab. Schalten Sie den DC-Ausgang nach 5 Sekunden aus und versuchen Sie es später erneut.
E11	Überlastung oder Kurzschluss des USB-Ausgangs	Trennen Sie die USB-Geräte ab.
E12	Überlastungsschutz am AC-Ausgang	Trennen Sie die Verbraucher ab. Schalten Sie den AC-Ausgang nach 5 Sekunden aus und versuchen Sie es später erneut.
E13	Kurzschlusschutz am AC-Ausgang	Trennen Sie die Verbraucher ab. Schalten Sie den AC-Ausgang nach 5 Sekunden aus und versuchen Sie es später erneut.
E14	Störung des Wechselrichters	Trennen Sie die AC-Geräte ab. Schalten Sie den AC-Ausgang nach 5 Sekunden aus und versuchen Sie es später erneut.
E15	Störung des Akkus	Halten Sie die Power Station im Stillstand und starten Sie sie neu.
E16	Störung der internen Verdrahtung	Trennen Sie alle Ein-/Ausgangsgeräte ab und starten Sie die Power Station neu.

* Wenn bei den Fehlercodes E09 bis E16 der Fehlercode nach Anwendung der oben genannten Methoden immer noch besteht, wenden Sie sich bitte an den Kundendienst, um Unterstützung zu erhalten.

10 Zertifizierung

Informationen zur Entsorgung für Nutzer von Elektro- und Elektronik-Altgeräten



Dieses Symbol auf dem Produkt oder seiner Verpackung weist darauf hin, dass gebrauchte elektrische und elektronische Produkte nicht mit unsortiertem Hausmüll vermischt werden dürfen. Um eine ordnungsgemäße Verarbeitung zu gewährleisten, sind Sie dafür verantwortlich, Ihre Altgeräte bei den dafür vorgesehenen Sammelstellen abzugeben.

Die ordnungsgemäße Entsorgung dieses Produkts trägt dazu bei, wertvolle Ressourcen zu sparen und mögliche negative Auswirkungen auf die menschliche Gesundheit und die Umwelt zu vermeiden, die sonst durch unsachgemäße Abfallentsorgung entstehen könnten.

Bei unsachgemäßer Entsorgung dieser Abfälle können gemäß den nationalen Rechtsvorschriften Strafen verhängt werden. Wenden Sie sich bitte an Ihre örtliche Behörde, um weitere Informationen zur nächstgelegenen ausgewiesenen Sammelstelle zu erhalten.

Informationen zum Akkurecycling für Benutzer



Dieses Symbol bedeutet, dass Batterien und Akkus am Ende ihrer Lebensdauer nicht mit unsortiertem Hausmüll vermischt werden dürfen. Ihre Teilnahme ist ein wichtiger Teil der Bemühungen, die Auswirkungen von Batterien und Akkumulatoren auf die Umwelt und die menschliche Gesundheit zu minimieren. Für ein ordnungsgemäßes Recycling können Sie dieses Produkt oder die darin enthaltenen Batterien oder Akkus an Ihren Lieferanten oder an eine dafür vorgesehene Sammelstelle zurückgeben.

Die ordnungsgemäße Entsorgung dieses Produkts trägt dazu bei, wertvolle Ressourcen zu sparen und mögliche negative Auswirkungen auf die menschliche Gesundheit und die Umwelt zu vermeiden, die sonst durch unsachgemäße Abfallentsorgung entstehen könnten.

Bei unsachgemäßer Entsorgung dieser Abfälle können gemäß den nationalen Rechtsvorschriften Strafen verhängt werden. Es gibt getrennte Sammelsysteme für Altbatterien und -akkumulatoren.

Bitte entsorgen Sie Batterien und Akkus ordnungsgemäß bei Ihrer örtlichen kommunalen Sammel-/Recyclingstelle.

Richtlinie zur Einschränkung der Verwendung bestimmter gefährlicher Stoffe (RoHS)

Ninebot New Energy Technology (Beijing) Co., Ltd. erklärt hiermit, dass das gesamte Produkt einschließlich der Teile (Kabel, Leitungen usw.) die Anforderungen der RoHS-Richtlinie 2011/65/EU und die Änderung der delegierten Richtlinie der Kommission (EU) erfüllt.

Vorschriften 2015/863 zur Einschränkung der Verwendung bestimmter gefährlicher Stoffe für Elektro- und Elektronikgeräte („RoHS Umgestaltung“ oder „RoHS 2.0“).

Vorschriften 2012 zur Einschränkung der Verwendung bestimmter gefährlicher Stoffe für Elektro- und Elektronikgeräte

Ninebot New Energy Technology (Beijing) Co., Ltd. erklärt hiermit, dass das gesamte Produkt einschließlich der Teile (Kabel, Leitungen usw.) die Anforderungen der Vorschriften 2012 zur Einschränkung der Verwendung bestimmter gefährlicher Stoffe für Elektro- und Elektronikgeräte erfüllt.



Konformitätserklärung (GB)

Funkanlagenvorschriften 2017

Hiermit erklärt Ninebot New Energy Technology (Beijing) Co., Ltd., dass das in diesem Abschnitt aufgeführte Produkt den grundlegenden Anforderungen und anderen relevanten Bestimmungen der Funkanlagenvorschriften 2017 entspricht.

Vorschriften zur Einschränkung der Verwendung bestimmter gefährlicher Stoffe für Elektro- und Elektronikgeräte 2012

Ninebot New Energy Technology (Beijing) Co., Ltd. erklärt hiermit, dass das gesamte Produkt einschließlich der Teile (Kabel, Leitungen usw.) die Anforderungen der Vorschriften 2012 zur Einschränkung der Verwendung bestimmter gefährlicher Stoffe für Elektro- und Elektronikgeräte erfüllt.



Konformitätserklärung der Europäischen Union

Hiermit erklärt Ninebot New Energy Technology (Beijing) Co., Ltd., dass das in diesem Abschnitt aufgeführte Produkt den grundlegenden Anforderungen und anderen relevanten Bestimmungen der Funkanlagenvorschriften 2014/53/EU entspricht.

Bluetooth	Frequenzband(/-bänder)	2,4000-2,4835 GHz
	Max. RF-Leistung	20 mW

11 Marken- und Rechtshinweise

Segway, Rider Design sind Warenzeichen von Segway Inc; Ninebot ist das Warenzeichen von Ninebot (Beijing) Tech Co., Ltd.; App Store® und Apple logo® sind Warenzeichen von Apple Inc; Die Bluetooth®-Wortmarke und -Logos sind Warenzeichen von Bluetooth SIG, Inc. und jegliche Verwendung dieser Marken durch Segway-Ninebot erfolgt unter Lizenz. Andere Marken und Handelsnamen sind Eigentum der jeweiligen Inhaber.

Aufgrund der ständigen Verbesserung der Produkte können sich dieses Handbuch und die tatsächlichen Produkte in Farbe, Aussehen usw. geringfügig unterscheiden. Bei Unterschieden zwischen den tatsächlichen Produkten und dem Handbuch haben die tatsächlichen Produkte Vorrang.

©2023 Ninebot (Beijing) Technology Co., Ltd. Alle Rechte vorbehalten.

Rechtshinweis:

1. Bevor Sie die Segway Portable Power Station ("Produkt") in Betrieb nehmen, lesen Sie bitte das Benutzerhandbuch sorgfältig durch, um eine ordnungsgemäße Nutzung sicherzustellen, nachdem Sie es vollständig verstanden haben. Bitte bewahren Sie das Benutzerhandbuch nach dem Lesen zum späteren Nachschlagen auf. Eine unsachgemäße Bedienung dieses Produkts kann zu schweren Verletzungen bei Ihnen oder anderen sowie zu Produktschäden und Sachschäden führen.
2. Durch die Nutzung des Produkts wird davon ausgegangen, dass Sie alle Bedingungen und Inhalte dieses Dokuments vollständig verstehen, anerkennen und akzeptieren. Der Benutzer übernimmt die Verantwortung für sein Handeln und alle Folgen, die sich aus der Nutzung des Produkts ergeben. Segway übernimmt keine Haftung für Ansprüche, Haftungen und Verluste im Zusammenhang mit solchen Folgen, wenn diese auf der Risikoübernahme des Benutzers beruhen.
3. Bitte erlauben Sie nicht, dass Personen, die dieses Handbuch nicht sorgfältig gelesen haben oder mit der ordnungsgemäßen Verwendung und den Sicherheitsvorkehrungen des Produkts nicht vertraut sind, es verwenden.
4. Bitte überprüfen Sie nach Erhalt des Produkts sofort, ob das Produkt und sein Zubehör intakt und vollständig sind. Alle Zubehörteile müssen gemäß der Bedienungsanleitung verwendet werden.
5. Warnhinweis: Jegliche Verschlechterung der Akkuleistung oder Unfähigkeit, ordnungsgemäß zu funktionieren, die dadurch verursacht wird, dass der Benutzer den Akku nicht ordnungsgemäß verwendet und wartet, ist nicht durch die beschränkte Garantie abgedeckt.
6. Soweit gesetzlich zulässig, behält sich Segway das Recht vor, die endgültige Auslegung und Erläuterung dieser Erklärung vorzunehmen.

Dieser Rechtshinweis unterliegt den Gesetzen des Staates, in dem Ihr Produkt installiert ist, sofern dies nicht im Widerspruch zu anderen Gerichtsbarkeiten steht oder von diesen ausgeschlossen wird. Segway haftet nicht für Ansprüche, Verbindlichkeiten oder Verluste, die sich aus der Verletzung der oben genannten Erklärung durch den Verbraucher ergeben.

Sie können die oben genannten Bedingungen akzeptieren und das Produkt entsprechend verwenden oder mit dem Rückgabevorgang gemäß der beschränkten Garantie fortfahren. Bitte stellen Sie bei der Rücksendung des Produkts sicher, dass das Produkt und die Verpackung intakt sind, um den Weiterverkauf nicht zu beeinträchtigen.

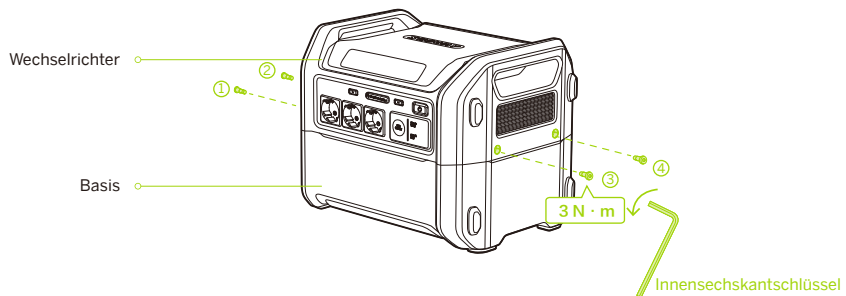
Wenn Sie beabsichtigen, das Produkt weiterzuverkaufen oder zu verschenken, denken Sie bitte daran, diesen Rechtshinweis beizufügen, da sie ein wesentlicher Bestandteil des Produkts ist.

Wenn Sie Fragen haben oder Hilfe benötigen, steht Ihnen Segway gerne zur Verfügung.

Nochmals vielen Dank, dass Sie sich für unser Produkt entschieden und ihm vertraut haben.

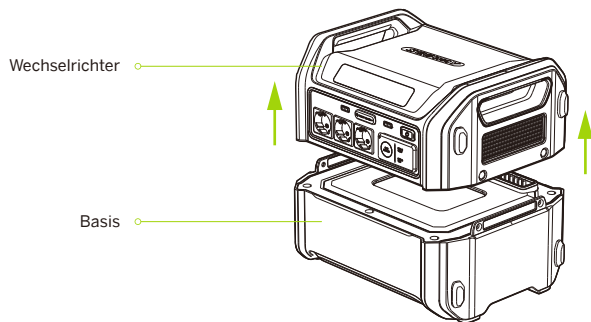
Anhang: Akkuerweiterung

- 1 Lösen Sie die vier Schrauben mit dem 3-mm-Innensechskantschlüssel.

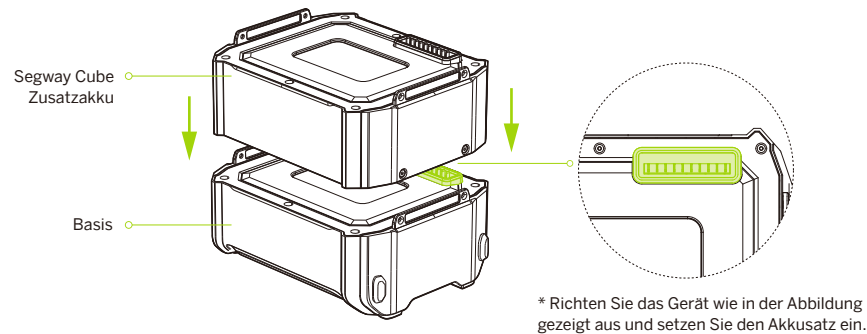


* Verwenden Sie das Elektrowerkzeug nicht zum Lösen von Schrauben!

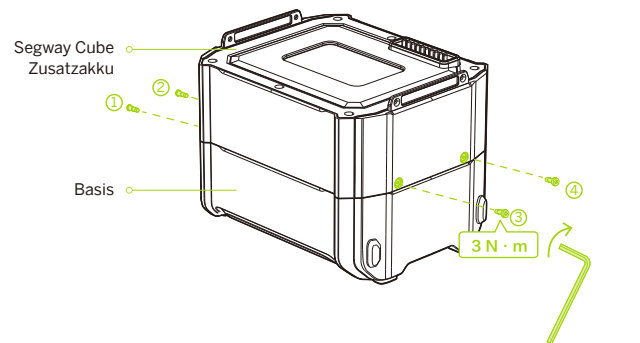
- 2 Trennen Sie den Wechselrichter und die Basis.



- 3 Legen Sie den Akkusatz auf den Sockel.

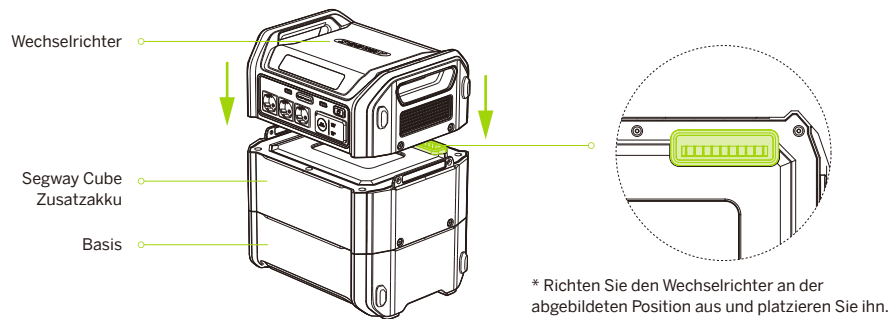


- 4 Ziehen Sie die vier Schrauben fest.

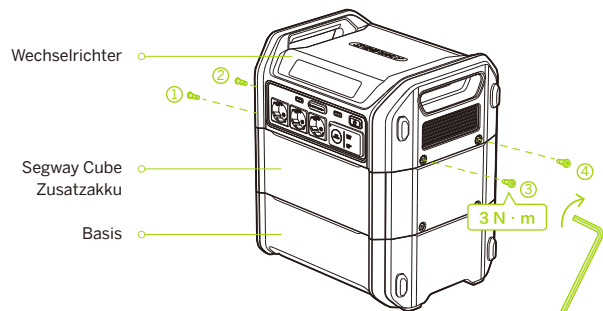


* Verwenden Sie das Elektrowerkzeug nicht zum Anziehen von Schrauben!

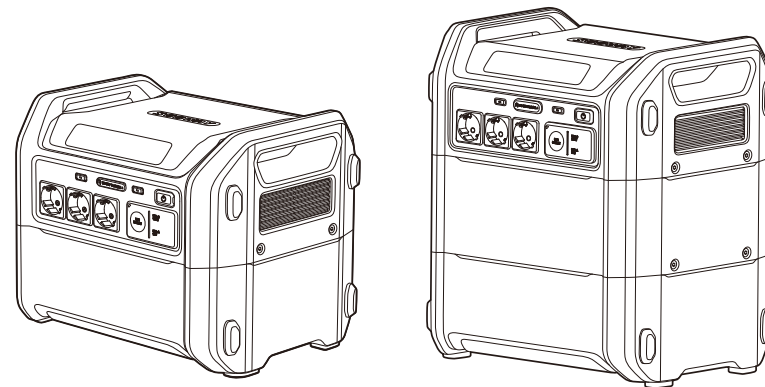
5 Setzen Sie den Wechselrichter auf den Akkusatz.



6 Ziehen Sie die vier Schrauben fest.



* Verwenden Sie das Elektrowerkzeug nicht zum Anziehen von Schrauben!



SEGWAY

Centrale elettrica portatile Segway

CUBE-1000 / CUBE-2000

Manuale Utente

Indice

1. Istruzioni di sicurezza	01
2. Lista imballaggio	04
3. Panoramica del prodotto	05
4. Come usare la centralina elettrica	09
5. Come ricaricare la centralina elettrica	12
6. Impostazioni	15
7. Guida per l'utente all'uso dell'app	17
8. Specifiche	19
9. Risoluzione dei problemi	20
10. Certificazione	21
11. Marchio e dichiarazione legale	22
Appendice: Espansione della batteria	24

1 Istruzioni di sicurezza

IMPORTANTI ISTRUZIONI DI SICUREZZA

- **AVVERTENZA** — Quando si utilizza questo prodotto, è necessario seguire sempre le precauzioni di base, incluse le seguenti:
 - Leggere tutte le istruzioni prima di utilizzare il prodotto.
 - Per ridurre il rischio di lesioni, è necessaria un'attenta supervisione quando il prodotto viene utilizzato vicino a dei bambini.
 - Non inserire dita o mani nel prodotto.
 - L'uso di un accessorio non consigliato o venduto dal produttore della centralina elettrica può comportare il rischio di incendi, scosse elettriche o lesioni alle persone.
 - Per ridurre il rischio di danni alla spina e al cavo elettrico, staccare la spina anziché il cavo quando si scollega la centralina elettrica.
 - Non utilizzare un pacco batteria o apparecchi danneggiati o modificati. Le batterie danneggiate o modificate potrebbero manifestare un comportamento imprevedibile provocando incendi, esplosioni o rischio di lesioni.
 - Non utilizzare la centralina elettrica con un cavo o una presa danneggiati o un cavo di uscita danneggiato.
 - Non smontare la centralina elettrica, ma rivolgersi a un addetto all'assistenza qualificato in caso di necessità di assistenza o riparazione. Un riassetto errato può comportare il rischio di incendi o scosse elettriche.
 - Per ridurre il rischio di scosse elettriche, scollegare la centralina elettrica dalla presa prima di eseguire qualsiasi intervento di manutenzione.
 - Quando si carica la batteria interna, lavorare in un'area ben ventilata e non limitare in alcun modo la ventilazione.
 - In condizioni avverse, il liquido potrebbe fuoriuscire dalla batteria; evitare il contatto. In caso di contatto accidentale, sciacquare con acqua. Se il liquido entra in contatto con gli occhi, consultare anche un medico. Il liquido fuoriuscito dalla batteria può causare irritazioni o ustioni.
 - Non esporre la centralina elettrica al fuoco o a temperature eccessive. L'esposizione al fuoco o a temperature superiori a 130°C (265°F) può causare un'esplosione.
 - Far eseguire la manutenzione da un tecnico qualificato utilizzando solo parti di ricambio identiche. Ciò garantisce il mantenimento della sicurezza del prodotto.
 - Non esporre il prodotto a fonti di ignizione o alte temperature, come veicoli ad alta temperatura o luce solare diretta.
 - Mantenere il prodotto asciutto e non immergerlo in acqua né sottoporlo a umidità. Non utilizzare il prodotto in ambienti piovosi o umidi.
 - Evitare di utilizzare il prodotto in un ambiente con forte campo statico/magnetico.
 - Quando si utilizza il prodotto, attenersi alla temperatura ambiente di funzionamento specificata nel manuale utente. Se la temperatura è troppo alta, potrebbe verificarsi un incendio o un'esplosione; se la temperatura è troppo bassa, potrebbe compromettere gravemente le prestazioni del prodotto o impedirne il funzionamento.

- Se si ripone il prodotto per un lungo periodo, conservarlo in un luogo asciutto e ventilato.
- Evitare di ostruire la ventola o di collocare il prodotto in un'area non ventilata o polverosa.
- Non smontare il prodotto né perforarlo con oggetti appuntiti.
- Evitare urti, cadute o vibrazioni violente. Se si verifica un impatto grave, spegnere l'alimentazione e interrompere immediatamente l'uso del prodotto.
- Evitare l'uso di fili o altri oggetti metallici che potrebbero causare cortocircuiti.
- Per evitare scosse elettriche, non utilizzare fili, spine o cavi di uscita danneggiati per collegare il prodotto.
- Non utilizzare componenti o accessori non ufficiali. Se devi sostituire qualsiasi componente o accessorio, consulta il canale ufficiale Segway.
- Non impilare oggetti pesanti sul prodotto.
- Non posizionare il prodotto su una superficie instabile per evitare che si ribalti o cada.
- Assicurarsi che il prodotto sia tenuto fuori dalla portata di bambini e animali domestici.
- Questo prodotto non è consigliato per alimentare apparecchiature medicali salvavita di emergenza, inclusi ventilatori per uso medico e polmoni artificiali. Se si necessita di alimentare questo tipo di prodotto, seguire le istruzioni del medico e consultare il produttore. Se utilizzato per apparecchiature mediche generiche, assicurarsi che l'alimentazione elettrica sia in condizioni adeguate.
- Quando si utilizza questo prodotto, l'alimentatore genera campi elettromagnetici che possono interferire con il corretto funzionamento di impianti o di dispositivi medici come pacemaker, impianti cocleari, apparecchi acustici, defibrillatori, ecc. Se si utilizzano questi dispositivi, contattare immediatamente il produttore per conoscere le restrizioni sul loro uso per garantire che tali impianti medici siano tenuti a una distanza di sicurezza da questo prodotto durante l'uso.
- Rischio di scosse elettriche. Non utilizzare mai la centralina elettrica per alimentare utensili elettrici per tagliare o accedere a parti o cablaggi in tensione, o materiali che potrebbero contenere al loro interno parti o cavi in tensione, come muri di edifici, ecc.

SALVA QUESTE ISTRUZIONI

ISTRUZIONI DPER LA MESSA A TERRA

Questo prodotto deve avere la messa a terra. In caso di malfunzionamento o guasto, la messa a terra fornisce un percorso di minore resistenza alla corrente elettrica per ridurre il rischio di scosse elettriche. Questo prodotto è dotato di un cavo con un conduttore per la messa a terra dell'apparecchiatura e una spina per messa a terra. La spina deve essere collegata a una presa correttamente installata e dotata di messa a terra in conformità con tutte le ordinanze dei codici locali.

AVVERTENZA — Un collegamento errato del conduttore per la messa a terra dell'apparecchiatura può provocare il rischio di scosse elettriche. Rivolgiti a un elettricista qualificato in caso di dubbi sulla corretta messa a terra del prodotto. Non modificare la spina fornita con il prodotto: se non si adatta alla presa, far installare una presa adeguata da un elettricista qualificato.

Manutenzione giornaliera

Se il prodotto non viene utilizzato per più di 30 giorni, si prega di caricarlo completamente e riporlo in un luogo fresco e asciutto per la conservazione. Se non viene caricata al massimo in 6 mesi, ci sono molte probabilità che la batteria si danneggi.

Linee guida sullo smaltimento

- Quando si smaltisce la batteria, assicurarsi che sia completamente scarica e riporla nell'apposito contenitore per il riciclaggio delle batterie.
- La batteria di questo prodotto contiene sostanze chimiche ed è severamente vietato smaltirla nei rifiuti indifferenziati. Seguire le leggi e le normative locali per il riciclaggio e lo smaltimento delle batterie.
- Se la batteria non può essere scaricata completamente a causa di un guasto del prodotto, non smaltire la batteria direttamente nel contenitore per il riciclaggio delle batterie. Contattare un'azienda professionale di riciclaggio delle batterie per lo smaltimento.

Misure di sicurezza durante la ricarica

- Quando si utilizzano due o più pannelli solari per ricaricare il prodotto, utilizzare lo stesso tipo di pannello solare. Il prodotto può essere collegato a uno, due o quattro pannelli solari. Quando si utilizzano quattro pannelli solari per ricaricare il prodotto, assicurarsi che il collegamento tra i pannelli solari sia due in serie e due in parallelo.
- Non ricaricare il prodotto con cavi di ricarica per auto e pannelli solari contemporaneamente, poiché potrebbe danneggiare il fusibile.
- Si consiglia di utilizzare gli accessori Segway - Pannello solare Segway SP per la ricarica solare. L'uso di pannelli solari di altre marche può causare danni per i quali non siamo responsabili.

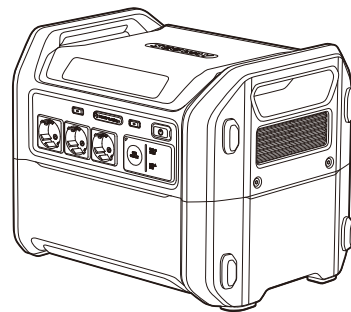
Avviso di alta temperatura

La temperatura del prodotto potrebbe essere troppo elevata per alimentare a lungo apparecchi elettrici ad alta potenza, con conseguente attivazione della protezione contro le alte temperature. Per la sicurezza della batteria, il prodotto limiterà automaticamente la potenza in uscita per abbassare la temperatura. Se il limite è stato raggiunto, l'uscita verrà interrotta e la funzione di ricarica non sarà disponibile. Interrompere immediatamente l'uso di carichi ad alta potenza se appare questo avviso, raffreddare il prodotto e riprovare a utilizzarlo.

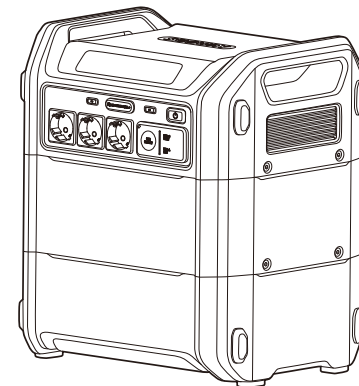
Prendiamo molto sul serio la tua sicurezza e la protezione dei nostri prodotti. Se hai domande o suggerimenti, contatta il Servizio Clienti Segway.

2 Lista imballaggio

Centrale elettrica portatile Segway:



CUBE-1000 x 1



CUBE-2000 x 1

Accessori:



Cavo di ricarica CA x 1



Cavo di ricarica per auto x 1



3 mm
Brugola x 1



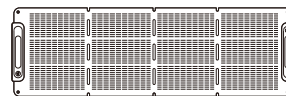
Manuale utente x 1



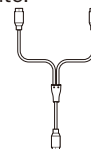
Polizza di
garanzia x 1

* solo per CUBE-2000

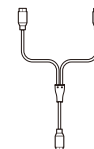
Accessori venduti separatamente:



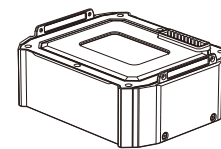
Pannello solare Segway SP



Connettore seriale



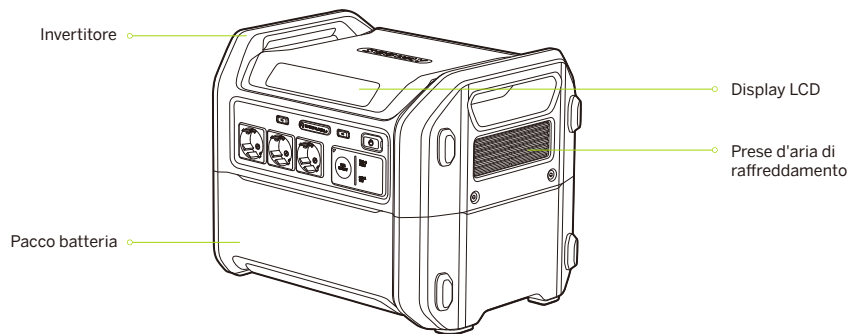
Connettore parallelo



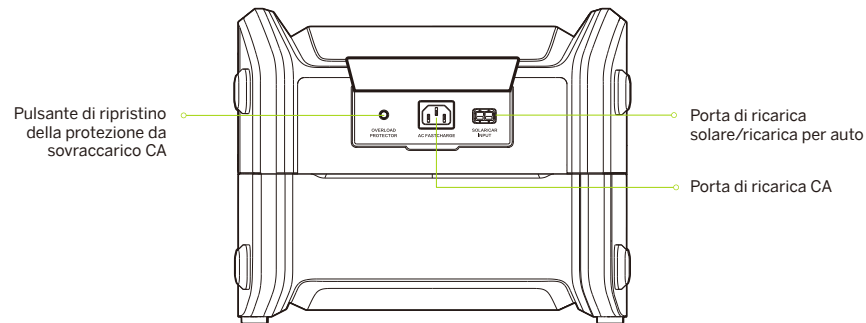
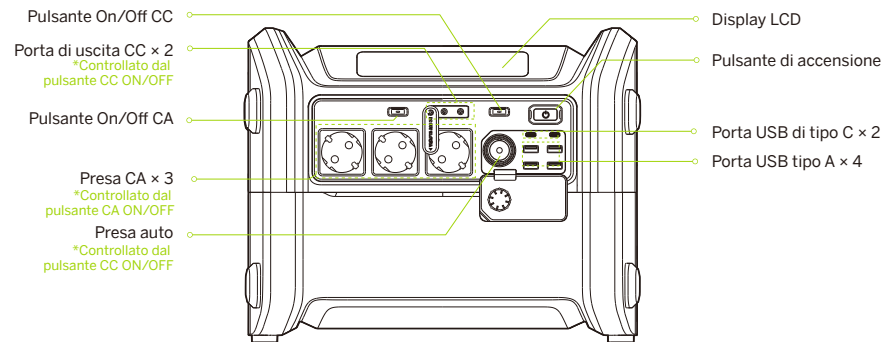
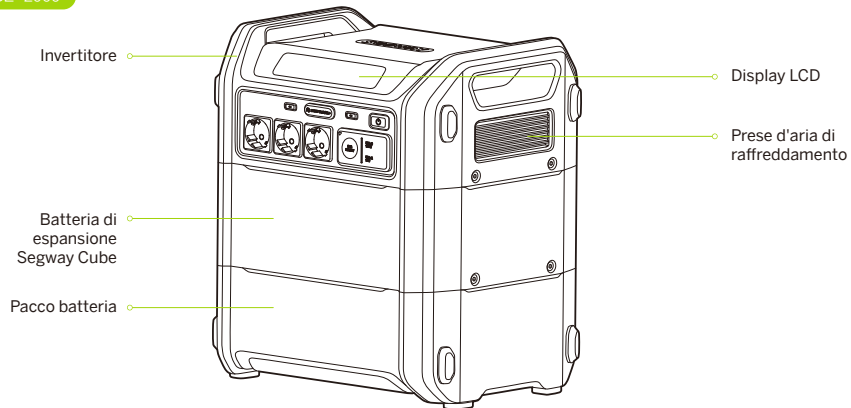
Batteria di espansione Segway Cube

3 Panoramica del prodotto

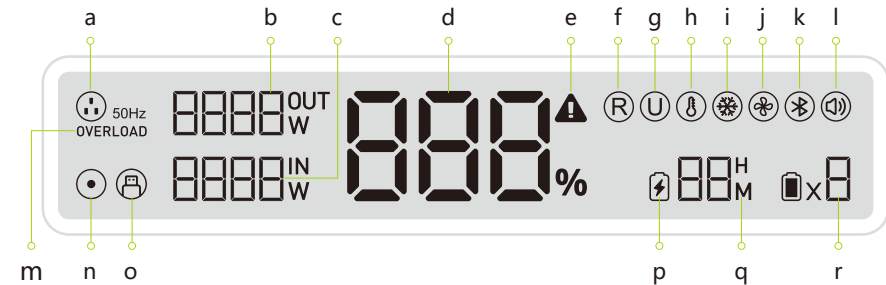
CUBE-1000



CUBE-2000



Panoramica dello schermo



a 50Hz
Uscita CA
L'icona della spina viene visualizzata come uscita CA, la frequenza di uscita è 50 Hz.

b **OUT W**
Potenza in uscita

c **IN W**
Potenza in ingresso

d **%%**
Livello della batteria

e **!**
Avvertenza
Quando l'icona si illumina, significa che viene attivata la protezione dalle alte temperature, dalle basse temperature o la protezione da sovraccarico CA.

f **R**
R-Drive
Regola in modo intelligente la potenza di esercizio degli apparecchi elettrici e assicurati che funzionino alla potenza nominale dell'invertitore. Supporta carichi fino a 4400 W.

g **U**
UPS (gruppo di continuità)
Passare automaticamente all'alimentazione a invertitore se l'ingresso CA è stato disconnesso da un'interruzione della rete elettrica e assicurarsi che gli apparecchi elettrici funzionino normalmente.

h **!**
Protezione dalle alte temperature
La potenza parziale in ingresso/uscita verrà ridotta automaticamente quando la temperatura del dispositivo è troppo alta.

i **!**
Protezione dalle basse temperature
La potenza parziale in ingresso/uscita verrà ridotta automaticamente quando la temperatura del dispositivo è troppo bassa.

j **!**
Ventola di raffreddamento
L'icona indica che la ventola è in funzione.

k **!**
Bluetooth
L'icona lampeggia durante l'abbinamento e rimane accesa quando il dispositivo è collegato correttamente.

l **!**
Suono del pulsante

m **!**
OVERLOAD
Sovraccarico uscita CA

n **!**
Uscita CC/presa auto

o **!**
Uscita USB

p **!**
Ricarica

q **H M**
Tempo di scarica/ricarica residuo

r **x 1** / **x 2**
Quantità del pacco batteria
CUBE-1000 1
CUBE-2000 2

4 Come usare la centralina elettrica

* Illustrato con CUBE-1000

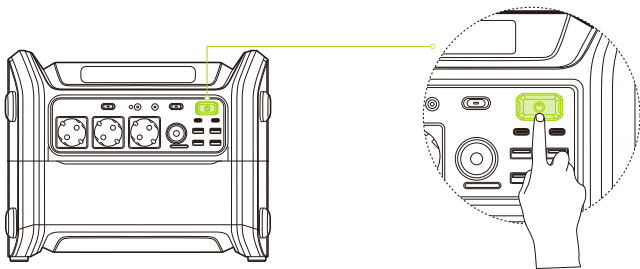
1 Accendere/spengere

Tieni premuto il pulsante di accensione per oltre 1 secondo per accenderlo/spengerlo.

Premere il pulsante di accensione per riattivare o attenuare lo schermo quando la centralina elettrica è accesa.

Acceso: La centralina elettrica emette un segnale acustico e l'indicatore del pulsante si illumina di bianco.

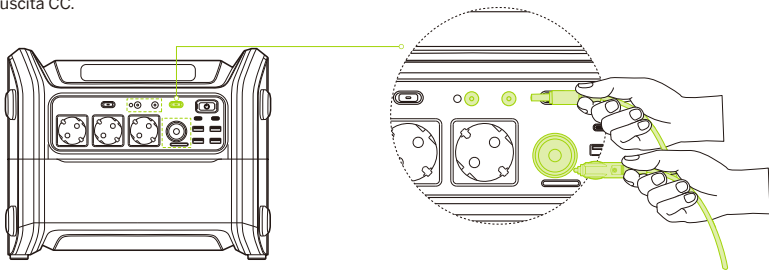
Spento: La centralina elettrica emette un segnale acustico e l'indicatore del pulsante si spegne.



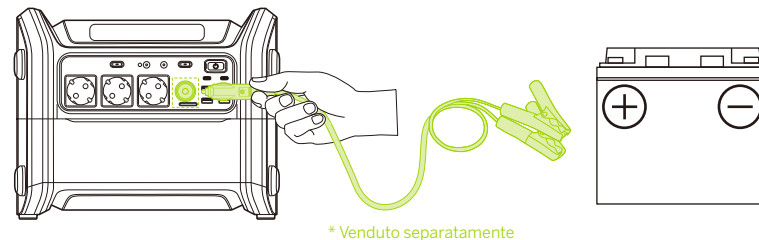
2 Uscita CC

* Porta di uscita CC x 2/Preso auto x 1

a) Quando la centralina è accesa, premere il pulsante CC ON/OFF per attivare l'uscita CC, collegare il dispositivo alla porta di uscita CC.



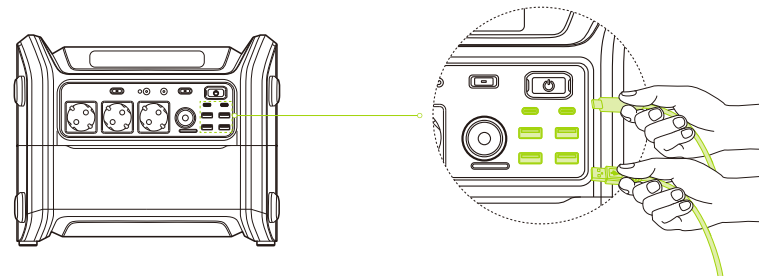
b) Premere il pulsante CC ON/OFF per accendere la presa dell'auto. La presa per auto supporta un'uscita di corrente costante e può utilizzare il cavo specifico per caricare la batteria dell'auto. (solo per la ricarica, non può essere utilizzato per avviare il veicolo.)



* Venduto separatamente

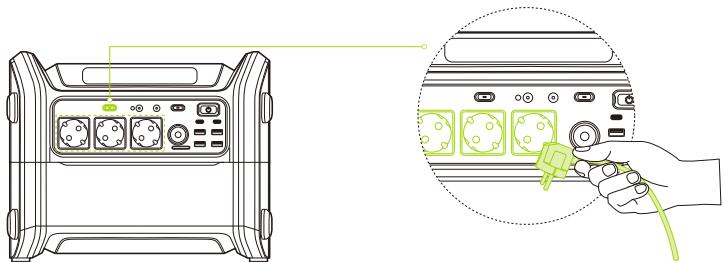
3 Uscita USB

Collega il dispositivo alla porta di uscita USB.



4 Uscita CA

Quando la centralina elettrica è accesa, premere il pulsante CA ON/OFF per attivare l'uscita CA, collegare il dispositivo alla presa CA.

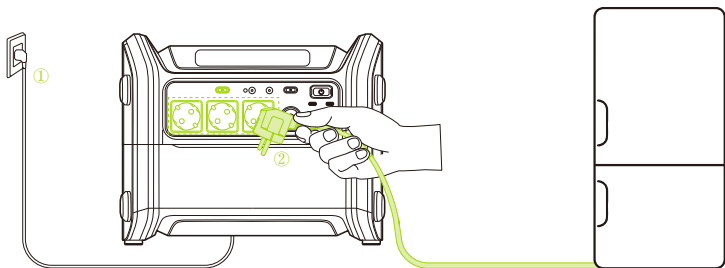


5 Funzione UPS

Quando la funzione UPS è attiva:

- ① Collegare il cavo di ricarica CA alla presa a muro e collegare l'altra estremità alla porta di ricarica CA dell'alimentatore
- ② Premere il pulsante CA ON/OFF per attivare l'uscita CA, collegare il dispositivo CA alla presa CA

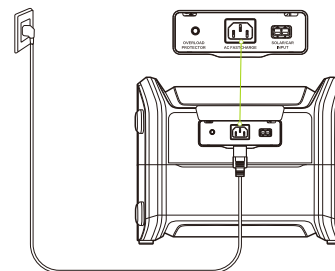
* A questo punto, la funzione UPS è attivata e la centralina elettrica passerà automaticamente all'alimentazione con inverter in caso di guasto della rete elettrica.



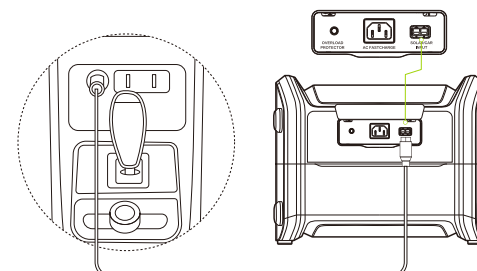
5 Come ricaricare la centralina elettrica

La centralina elettrica ha due porte di ricarica, una porta di ricarica CA e una porta di ricarica solare/per auto. Quando si ricarica la centralina elettrica, il display mostrerà lo stato di carica. Esistono cinque metodi di ricarica come di seguito riportato, è disponibile anche la doppia ricarica.

- ① Ricarica CA
- ② Ricarica auto
- ③ Ricarica solare
- ④ Ricarica CA e solare
- ⑤ Ricarica CA e auto



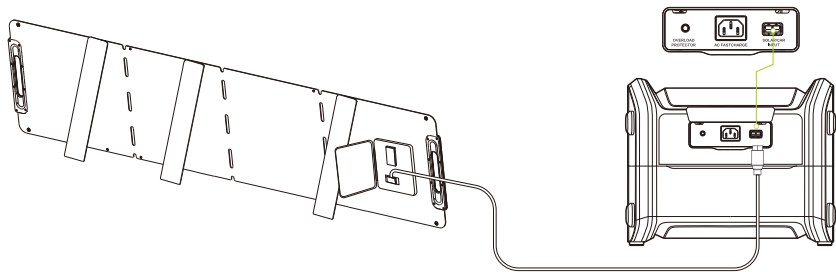
Ricarica CA



Ricarica auto

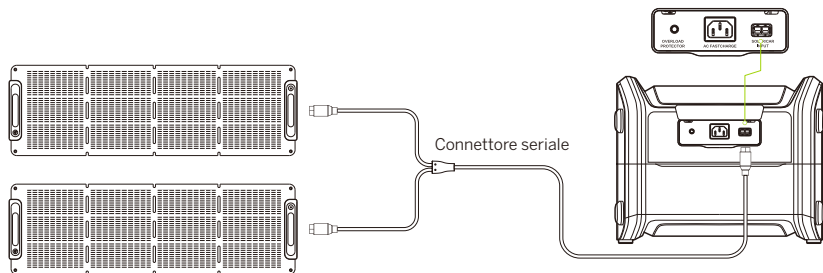
Ricarica solare

a. Pannello solare singolo



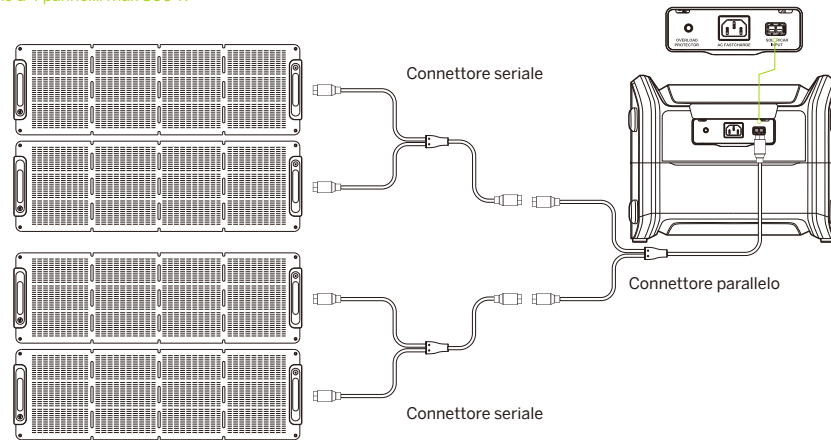
b. Pannelli solari multipli

2 pannelli



4 pannelli

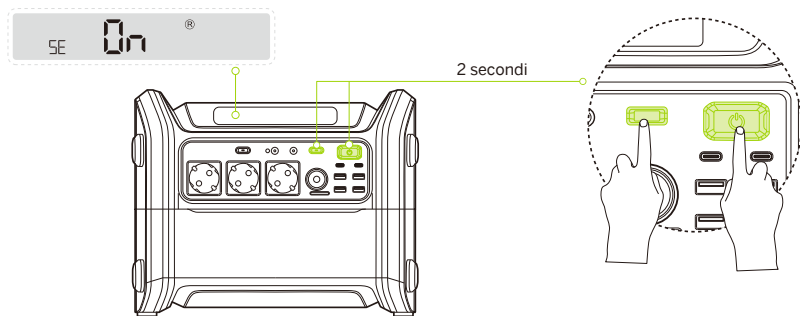
* Fino a 4 pannelli/max 800 W



6 Impostazioni

Quando la centralina elettrica è spenta, tieni premuti il pulsante CC ON/OFF e il pulsante di accensione per 2 secondi contemporaneamente per accedere alle impostazioni.

Nota: La carica e la scarica non sono disponibili durante l'impostazione.



Operazioni di base dei pulsanti

Pulsante di accensione: Premere per salvare e uscire dalle impostazioni.

Pulsante CA On/Off: Passare all'impostazione successiva.

Pulsante CC On/Off: Passare da un'opzione all'altra dell'impostazione corrente.

Impostazioni

Nota: Si consiglia di personalizzare queste impostazioni direttamente tramite l'app Segway-Ninebot.

Icona	Impostazione	Display	Opzioni
Ⓡ	R-Drive ¹⁾	 	<p>L'impostazione predefinita è attiva. La funzione può essere attivata/disattivata.</p> <p>* Questa funzione è applicabile solo agli apparecchi resistivi. Disattiva immediatamente questa funzione se gli apparecchi non funzionano normalmente.</p>

Icona	Impostazione	Display	Opzioni
Ⓚ	UPS (gruppo di continuità) ²⁾	 	L'impostazione predefinita è attiva. La funzione può essere attivata/disattivata.
Ⓜ	Modalità Ventola	 	Sono disponibili due modalità. Modalità di raffreddamento attivo: La ventola funziona automaticamente e mantiene la centralina elettrica a una temperatura relativamente bassa. Modalità silenziosa: La ventola funziona automaticamente e funziona a una velocità e una frequenza relativamente basse.
🔊	Suono del pulsante	 	L'impostazione predefinita è attiva. Il suono del pulsante può essere acceso/spento.

Caratteristiche

1 R-Drive

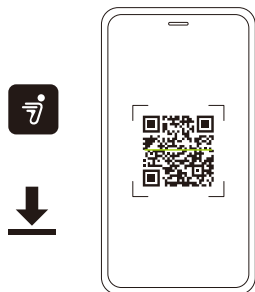
Questa funzione non è applicabile a tutti gli apparecchi elettrici ma solo agli apparecchi resistivi, come asciugacapelli e bollitori elettrici. Verificare la compatibilità prima dell'uso. Gli apparecchi ad alta potenza come condizionatori d'aria, caffettiere, asciugatrici, stufe elettriche, grandi frigoriferi, forni a microonde, tosaerba, forni e lavatrici non sono compatibili.

2 UPS (gruppo di continuità)

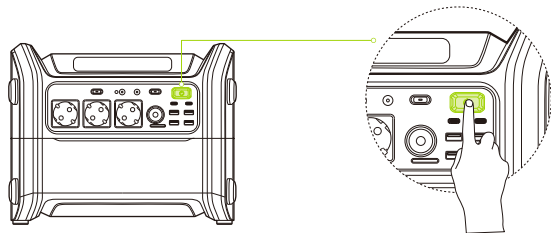
Quando si collega la centralina elettrica alla fonte di alimentazione CA e poi si collegano gli apparecchi alla presa CA della centralina elettrica, gli apparecchi riceveranno alimentazione dalla fonte di alimentazione CA, non dalla centralina elettrica. Quando la fonte di alimentazione CA si guasta, la centralina passa automaticamente all'alimentazione a invertitore per gli apparecchi in 20-30 millisecondi. La funzione UPS è di tipo offline e non supporta lo switch 0ms. Non utilizzare la centralina elettrica per caricare dispositivi che richiedono un'alimentazione continua. Verificare la compatibilità prima dell'uso.

7 Guida per l'utente all'uso dell'app

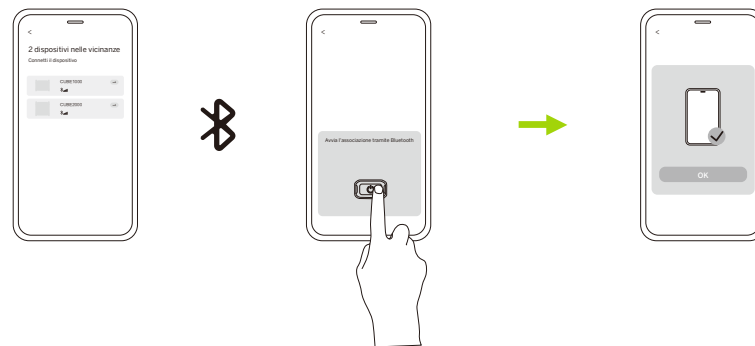
- 1 Scansionare il codice QR e scaricare l'app Segway-Ninebot per registrarsi o effettuare l'accesso.



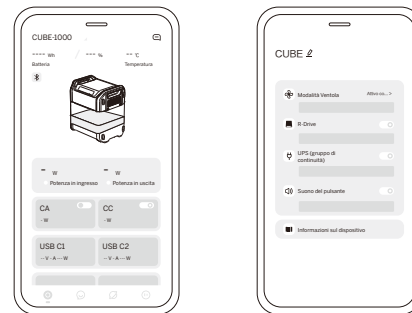
- 2 Tieni premuto il pulsante di accensione per accendere la centralina elettrica.



- 3 Tocca "Aggiungi dispositivo" e segui le istruzioni per connetterti alla centralina elettrica tramite Bluetooth.



- 4 Personalizza le impostazioni direttamente tramite l'app. Controlla le informazioni in tempo reale sulla batteria rimanente, sulla temperatura, sulla potenza di ingresso/uscita di ciascuna porta di ingresso/uscita, ecc.



8 Specifiche

Centralina Elettrica	Nome del prodotto	Centrale elettrica portatile Segway Cube	
	Modello	CUBE-1000	CUBE-2000
	L × W × H*	354 × 289 × 284 mm (13,9 × 11,3 × 11,1 pollici)	354 × 289 × 399 mm (13,9 × 11,3 × 15,7 pollici)
	Peso netto*	16,2 kg (35,7 libbre)	26,1 kg (57,5 libbre)
	Modello di invertitore	CUBE-IV-2200	
	Modello pacco batteria incluso	CUBE-BT-1000	CUBE-BT-1000, CUBE-BTX-1000
	Frequenza nominale	50 Hz	
	Max.Potenza di uscita in totale	2200 W	2584 W
	CA max. Potenza in uscita	2200 W	
	CC max. Potenza in uscita	384 W	
	Ingresso CA	230 V ~ 50 Hz 1250 W max	
	Ingresso auto	12 V/24 V = 200 W max	
	Ingresso pannello solare	12-60 V = 800 W max	
	Uscita CA (× 3)	230 V~, 9,56 A, 50 Hz, 2200 W Max (modalità invertitore, onda sinusoidale pura) /230 V~, 50 Hz, 5,2 A Max (modalità bypass)	
	Presa auto	13,6 V = 10 A 136 W max	
	Uscita DC5525 (× 2)	13,6 V = 5 A 68 W max	
	Uscita USB tipo A (× 4)	5/9/12 V = 3 A 18 W max	
Uscita USB tipo C (× 2)	5/9/12/15/20 V = 5 A 100 W max		
Temperatura di scarico	-10°C~45°C (14°F~113°F)		
Temperatura di carica	5°C~45°C (41°F~113°F)		
Batteria Pacco	Modello	CUBE-BT-1000	CUBE-BTX-1000
	L × W × H*	354 × 289 × 152 mm (13,9 × 11,3 × 5,9 pollici)	348 × 289 × 135 mm (13,7 × 11,3 × 5,3 pollici)
	Peso netto*	10 kg (22 libbre)	9,9 kg (21,8 libbre)
	Tipo di batteria	Batteria LFP (LiFePO ₄)	
	Capacità nominale	20 Ah	
	Energia nominale	1024 Wh	
	Tensione nominale	51,2 V =	
	Max. tensione di ricarica	57,6 V =	
	Grado di protezione IP	IP56	
	Sistema di gestione della batteria	Protezione da sovratemperatura, sovracorrente, sovratensione.	

* Potrebbe differire leggermente dal valore effettivo a causa dei diversi strumenti e metodi di misurazione.

9 Risoluzione dei problemi

Codice di errore	Possibili cause	Soluzione
E01	Protezione da sovratemperatura della batteria	Raffreddare la batteria
E02	Protezione contro le basse temperature della batteria	Riportare la batteria alla temperatura normale.
E03	Protezione da sottotensione della batteria	Caricare immediatamente!
E04	Errore di comunicazione della batteria 1	1. Spegnerne la centralina elettrica e verificare se il pacco batteria è collegato correttamente. 2. Riavviare la centralina elettrica.
E05	Errore di comunicazione della batteria 2	Nota: se il codice di errore persiste dopo aver utilizzato i metodi sopra indicati, il pacco batteria potrebbe essere danneggiato.
E06	Protezione da sovratemperatura durante la ricarica	1. Raffreddate la centralina elettrica. 2. Controllare la ventola e le prese d'aria di raffreddamento e applicare la dissipazione del calore per la centralina elettrica.
E07	Protezione da sovratemperatura durante la scarica	1. Controllare il tipo di pannello solare (80V/20A). In caso di compatibilità, il circuito hardware del pannello solare potrebbe essere stato danneggiato, contatta il servizio post-vendita per assistenza. 2. In caso contrario, scollegare il pannello solare.
E08	Anomalia della ricarica solare	1. Controllare il tipo di pannello solare (80V/20A). In caso di compatibilità, il circuito hardware del pannello solare potrebbe essere stato danneggiato, contatta il servizio post-vendita per assistenza. 2. In caso contrario, scollegare il pannello solare.
E09	Errore di ingresso CA	Anomalia dell'ingresso CA causata da una rete elettrica instabile, scollegare il cavo di ricarica CA.
E10	Sovraccarico o cortocircuito dell'uscita dell'auto	Scollegare i carichi. Spegnerne l'uscita CC dopo 5 secondi e riprovare più tardi.
E11	Sovraccarico o cortocircuito dell'uscita USB	Scollegare i dispositivi USB.
E12	Protezione da sovraccarico in uscita CA	Scollegare i carichi. Spegnerne l'uscita CA dopo 5 secondi e riprovare più tardi.
E13	Protezione da cortocircuito in uscita CA	
E14	Malfunzionamento dell'invertitore	Scollegare i dispositivi CA. Spegnerne l'uscita CA dopo 5 secondi e riprovare più tardi.
E15	Malfunzionamento della batteria	Mantieni ferma la centralina elettrica e riavviala.
E16	Malfunzionamento dei cavi interni	Scollegare tutti i dispositivi di ingresso/uscita e riavviare la centralina elettrica.

* Per il codice di errore da E09 a E16, se il codice di errore persiste dopo aver utilizzato i metodi sopra indicati, contatta il servizio post-vendita per l'assistenza.

10 Certificazione

Informazioni in materia di smaltimento di apparecchiature elettriche ed elettroniche



Questo simbolo riportato sul prodotto o sulla confezione indica che i prodotti elettrici ed elettronici in uso non devono essere smaltiti con i rifiuti urbani indifferenziati. Affinché le apparecchiature vengano smaltite adeguatamente, è responsabilità dell'utente predisporre la restituzione presso i punti di raccolta designati.

Lo smaltimento corretto del prodotto consentirà di risparmiare risorse preziose e prevenire potenziali effetti negativi sulla salute e sull'ambiente, che potrebbero altrimenti derivare da una gestione inappropriata del prodotto smaltito.

Lo smaltimento errato di questo rifiuto può comportare l'applicazione di sanzioni in conformità con la legislazione nazionale.

Per ulteriori informazioni sul punto di raccolta più vicino, contattare le autorità locali.

Informazioni rivolte agli utenti in materia di riciclaggio delle batterie



Questo simbolo indica che le batterie e gli accumulatori, al termine del ciclo di vita, non devono essere mischiati con i rifiuti urbani indifferenziati. Il contributo dell'utente costituisce una parte importante dell'impegno volto a ridurre al minimo l'impatto di batterie e accumulatori sull'ambiente e sulla salute dell'uomo. Per un corretto riciclaggio, è possibile consegnare il prodotto e le batterie o gli accumulatori in esso contenuti al fornitore o a un punto di raccolta designato a costo zero.

Lo smaltimento corretto del prodotto consentirà di risparmiare risorse preziose e prevenire potenziali effetti negativi sulla salute e sull'ambiente, che potrebbero altrimenti derivare da una gestione inappropriata del prodotto smaltito.

Lo smaltimento errato di questo rifiuto può comportare l'applicazione di sanzioni in conformità con la legislazione nazionale.

Esistono sistemi di raccolta differenziata per batterie e accumulatori usati.

Smaltire correttamente le batterie e gli accumulatori presso il centro di raccolta/riciclaggio dei rifiuti della propria comunità locale.

centro.

Direttiva sulla restrizione dell'uso di determinate sostanze pericolose (RoHS)

Ninebot New Energy Technology (Beijing) Co., Ltd. dichiara che l'intero prodotto, comprese le parti (cavi, corde e così via) soddisfa i requisiti della Direttiva RoHS 2011/65/UE e modifica la Direttiva delegata della commissione (UE)

Regolamenti sulla restrizione dell'uso di determinate sostanze pericolose nelle apparecchiature elettriche ed elettroniche ("RoHS recast" o "RoHS 2.0") (2015/863).

Regolamenti sulla restrizione dell'uso di determinate sostanze pericolose nelle apparecchiature elettriche ed elettroniche (2012).

Ninebot New Energy Technology (Beijing) Co., Ltd. dichiara che l'intero prodotto, comprese le sue varie parti (cavi, fili e altri componenti), soddisfa i requisiti dei regolamenti sulla restrizione dell'uso di determinate sostanze pericolose nelle apparecchiature elettriche ed elettroniche (2012).



Dichiarazione di conformità per il Regno Unito

Normative sulle apparecchiature radio (2017)

Ninebot New Energy Technology (Beijing) dichiara che il prodotto menzionato nella presente sezione è conforme ai requisiti essenziali e ad altre disposizioni pertinenti contenute nelle normative sulle apparecchiature radio (2017).

I regolamenti sulla restrizione dell'uso di determinate sostanze pericolose nelle apparecchiature elettriche ed elettroniche 2012

Ninebot New Energy Technology (Beijing) Co., Ltd. dichiara che l'intero prodotto, comprese le sue varie parti (cavi, fili e altri componenti), soddisfa i requisiti dei regolamenti sulla restrizione dell'uso di determinate sostanze pericolose nelle apparecchiature elettriche ed elettroniche (2012).



Dichiarazione di conformità per l'Unione europea

Ninebot New Energy Technology (Beijing) dichiara che il prodotto menzionato nella presente sezione è conforme ai requisiti essenziali e ad altre disposizioni pertinenti contenute nelle normative sulle apparecchiature radio (2014/53).

Bluetooth	Banda(e) di frequenza	2,4000-2,4835 GHz
	Max. potenza RF	20 mW

11 Marchio e dichiarazione legale

Segway e Rider Design sono marchi di Segway Inc.; Ninebot è il marchio di Ninebot (Beijing) Tech Co., Ltd.; App Store® e il logo Apple® sono marchi di Apple Inc.; Il marchio e i loghi Bluetooth® sono marchi di proprietà di Bluetooth SIG, Inc. e qualsiasi utilizzo di tali marchi da parte di Segway-Ninebot è concesso in licenza. Altri marchi e nomi commerciali appartengono ai rispettivi proprietari.

A causa del costante miglioramento dei prodotti, questo manuale e i prodotti reali potrebbero differire leggermente per colore, aspetto, ecc. In caso di discrepanza tra i prodotti reali e il manuale, prevarranno i prodotti effettivi.

©2023 Ninebot (Pechino) Technology Co., Ltd. Tutti i diritti riservati.

Dichiarazione legale

1. Prima di utilizzare la centralina elettrica portatile Segway («Prodotto»), leggere attentamente il manuale utente per garantire un uso corretto dopo la completa comprensione. Dopo la lettura, conservare con cura il manuale utente per riferimenti futuri. Il mancato utilizzo corretto di questo prodotto può causare gravi lesioni a se stessi o ad altri, oltre a danni al prodotto e la perdita di proprietà.
2. Utilizzando il Prodotto, l'utente comprende, riconosce e accetta pienamente tutti i termini e i contenuti del presente documento. L'utente si assume la responsabilità delle proprie azioni e di tutte le conseguenze derivanti dall'uso del Prodotto. Segway non sarà responsabile per eventuali reclami, oneri e perdite relative a tali conseguenze se ciò è dovuto all'assunzione di rischio da parte dell'utente.
3. Non consentire l'uso del Prodotto a persone che non hanno letto attentamente il presente manuale o che non hanno familiarità con l'uso corretto e le misure di sicurezza del Prodotto.
4. Dopo aver ricevuto il Prodotto, controllare immediatamente se il prodotto e i suoi accessori sono intatti e completi. Tutti gli accessori devono essere utilizzati come richiesto dal manuale di istruzioni.
5. Avvertenze: Qualsiasi deterioramento delle prestazioni della batteria o incapacità di funzionare correttamente causato da un utilizzo scorretto e dalla mancata manutenzione della batteria da parte dell'utente non è coperto dalla garanzia limitata.
6. Nella misura consentita dalla legge, Segway si riserva il diritto di fornire l'interpretazione e la spiegazione finali di questa dichiarazione.

La presente dichiarazione legale è regolata dalle leggi dello stato in cui il Prodotto è venduto, tranne nella misura in cui non sia coerente o impedita da giurisdizioni diverse. Segway non sarà responsabile per eventuali reclami, responsabilità o perdite derivanti dalla violazione da parte del consumatore della dichiarazione di cui sopra.

È possibile scegliere di accettare i termini di cui sopra e utilizzare il prodotto di conseguenza, oppure procedere con la restituzione in base alla Garanzia limitata. Al momento della restituzione del Prodotto, assicurati che il Prodotto e la confezione siano intatti per evitare di comprometterne la rivendita.

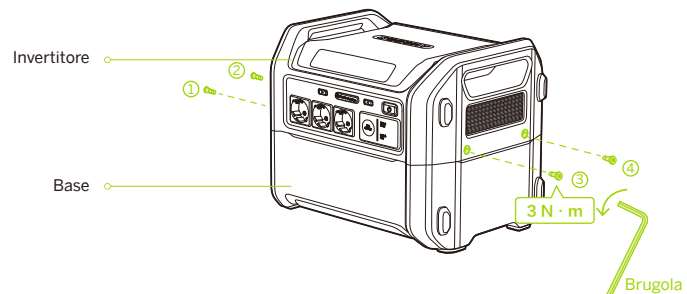
Se intendi rivendere o regalare il Prodotto, ricordati di includere questa dichiarazione legale in quanto è parte integrante del Prodotto.

Se hai domande o hai bisogno di assistenza, Segway è lieta di essere al tuo servizio.

Ancora una volta, ti ringraziamo per aver scelto e riposto fiducia nel nostro prodotto.

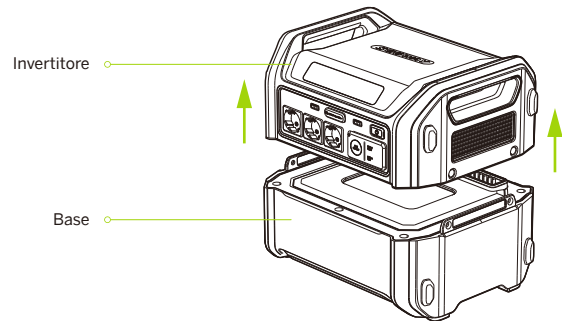
Appendice: Espansione della batteria

- 1 Allenta le quattro viti con la brugola da 3 mm.

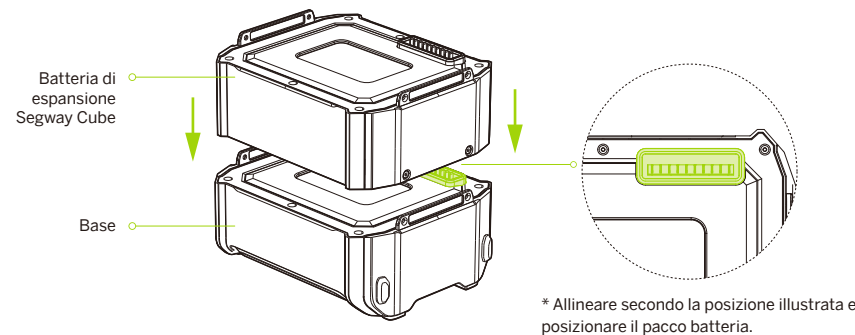


* Non utilizzare l'utensile elettrico per allentare le viti!

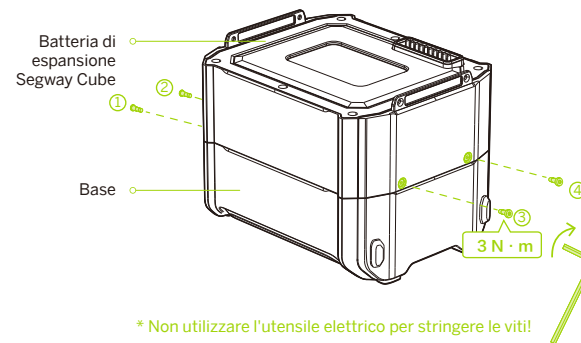
- 2 Separare l'invertitore e la base.



- 3 Posizionare il pacco batteria sulla base.

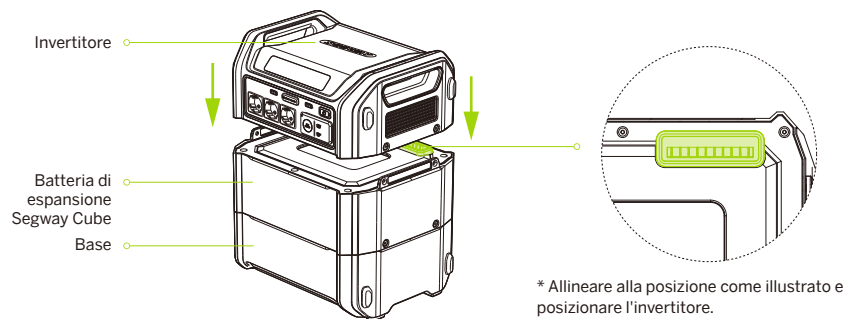


- 4 Stringere le quattro viti.

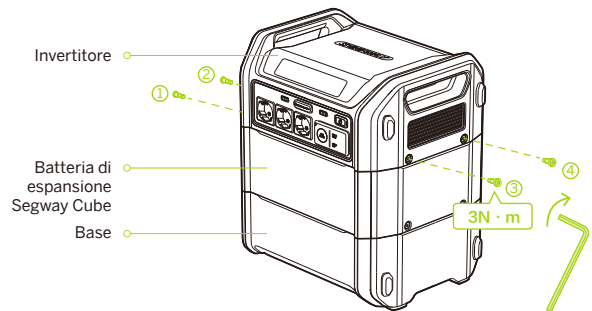


* Non utilizzare l'utensile elettrico per stringere le viti!

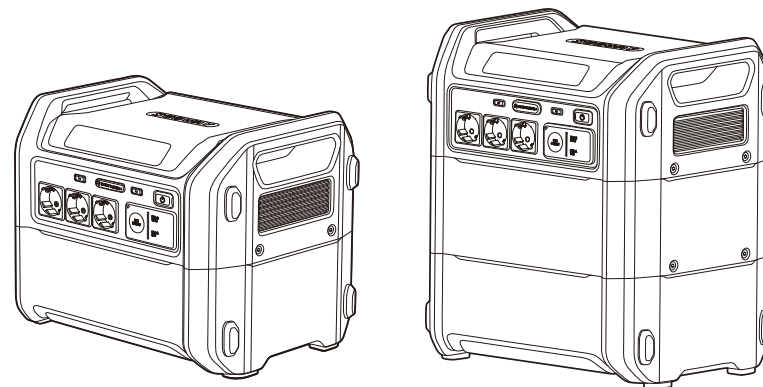
5 Posizionare l'invertitore sul pacco batteria.



6 Stringere le quattro viti.



* Non utilizzare l'utensile elettrico per stringere le viti!



SEGWAY

Estación eléctrica portátil Segway

CUBE-1000 / CUBE-2000

Manual de usuario

Contenido

1. Instrucciones de seguridad	01
2. Listado de contenido	04
3. Descripción de los productos	05
4. Cómo utilizar la estación eléctrica	09
5. Cómo recargar la estación eléctrica	11
6. Configuración	14
7. Guía del usuario de la aplicación	16
8. Especificaciones	18
9. Solución de problemas	19
10. Certificación	20
11. Marca comercial y declaración legal	22
Apéndice: Ampliación de la batería	24

1 Instrucciones de seguridad

INSTRUCCIONES IMPORTANTES DE SEGURIDAD

- **ADVERTENCIA:** al utilizar este producto, deben seguirse siempre las precauciones básicas, incluidas las siguientes:
- Lea todas las instrucciones antes de utilizar el producto.
- Para reducir el riesgo de lesiones, es necesaria una estrecha supervisión cuando el producto se utilice cerca de niños.
- No introduzca los dedos ni las manos en el producto.
- El uso de un accesorio no recomendado o vendido por el fabricante de la unidad de alimentación puede provocar riesgo de incendio, descarga eléctrica o lesiones personales.
- Para reducir el riesgo de daños en el enchufe eléctrico y el cable, tire del enchufe y no del cable cuando desconecte la fuente de alimentación.
- No utilice baterías ni aparatos dañados o modificados. Las baterías dañadas o modificadas pueden mostrar un comportamiento impredecible con el consiguiente riesgo de incendio, explosión o lesiones.
- No utilice la fuente de alimentación con un cable o enchufe dañado, ni con un cable de salida dañado.
- No desmonte la unidad de alimentación, llévela a un técnico cualificado cuando sea necesario realizar tareas de mantenimiento o reparación. Un montaje incorrecto puede provocar riesgo de incendio o descarga eléctrica.
- Para reducir el riesgo de descarga eléctrica, desenchufe la fuente de alimentación de la toma de corriente antes de realizar cualquier tarea de mantenimiento.
- Cuando cargue la batería interna, trabaje en una zona bien ventilada y no limite la ventilación de ninguna manera.
- En condiciones abusivas, puede salir líquido de la batería; evite el contacto. En caso de contacto accidental, lavar con agua. Si el líquido entra en contacto con los ojos, busque ayuda médica. El líquido expulsado por la batería puede provocar irritaciones o quemaduras.
- No exponga la unidad de alimentación al fuego ni a temperaturas excesivas. La exposición al fuego o a temperaturas superiores a 130 °C (265 °F) puede provocar una explosión.
- Encargue el mantenimiento a un técnico cualificado que utilice únicamente piezas de repuesto idénticas. Esto garantizará que se mantenga la seguridad del producto.
- No exponga el producto a fuentes de ignición o altas temperaturas, como vehículos de alta temperatura o luz solar directa.
- Mantenga el producto seco y no lo sumerja en agua ni lo someta a humedad. No utilice el producto en ambientes lluviosos o húmedos.
- Evite utilizar el producto en un entorno con fuertes campos estáticos/magnéticos.
- Cuando utilice el producto, respete la temperatura ambiente de funcionamiento especificada en el manual del usuario. Si la temperatura es demasiado alta, puede provocar un incendio o una explosión; si es demasiado baja, puede degradar gravemente el rendimiento del producto o impedir que funcione.
- Cuando almacene el producto durante mucho tiempo, colóquelo en un lugar seco y ventilado.

- Evite obstruir el ventilador o colocar el producto en una zona sin ventilación o polvorienta.
- No desmonte el producto ni lo perforo con objetos afilados.
- Evite golpes, caídas o vibraciones violentas. Si se produce un impacto grave, desconecte la alimentación y deje de utilizar el producto inmediatamente.
- Evite utilizar cables u otros objetos metálicos que puedan provocar un cortocircuito.
- No utilice cables, enchufes ni cables de salida dañados para conectar este producto a fin de evitar descargas eléctricas.
- No utilice componentes ni accesorios no oficiales. Si necesita sustituir algún componente o accesorio, consulte el canal oficial de Segway.
- No apile objetos pesados encima del producto.
- No coloque el producto sobre una superficie inestable para evitar que vuelque o se caiga.
- Asegúrese de mantener el producto fuera del alcance de niños y animales domésticos.
- Este producto no está recomendado para alimentar equipos médicos de emergencia relacionados con la seguridad personal, incluyendo respiradores de uso médico y pulmones artificiales. Si necesita enchufar un producto de esta naturaleza, siga las instrucciones de su médico y consulte al fabricante. Si se utiliza para equipos médicos de uso general, asegúrese de que la fuente de alimentación está en buenas condiciones.
- Al utilizar este producto, la fuente de alimentación genera campos electromagnéticos que pueden interferir con el correcto funcionamiento de implantes médicos o dispositivos médicos personales como marcapasos, implantes cocleares, audífonos, desfibriladores, etc. Si se están utilizando estos dispositivos, póngase en contacto con el fabricante para conocer las restricciones de uso de los mismos y así garantizar que los implantes médicos se mantienen a una distancia segura de este producto durante su uso.
- Riesgo de descarga eléctrica. No utilice nunca una fuente de alimentación para alimentar herramientas eléctricas con el fin de cortar o acceder a piezas o cables bajo tensión, o materiales que puedan contener piezas o cables bajo tensión en su interior, como paredes de edificios, etc.

GUARDE ESTAS INSTRUCCIONES

INSTRUCCIONES DE CONEXIÓN A TIERRA

Este producto debe estar conectado a tierra. En caso de mal funcionamiento o avería, la conexión a tierra proporciona una vía de menor resistencia a la corriente eléctrica para reducir el riesgo de descarga eléctrica. Este producto está equipado con un cable que tiene un conductor de toma a tierra del equipo y un enchufe de toma a tierra. El enchufe debe conectarse a una toma de corriente que esté correctamente instalada y conectada a tierra de acuerdo con todas las ordenanzas de los códigos locales.

ADVERTENCIA: una conexión incorrecta del conductor de toma a tierra del equipo puede conllevar un riesgo de descarga eléctrica. Consulte a un electricista cualificado si tiene dudas sobre si el producto está correctamente conectado a tierra. No modifique el enchufe suministrado con el producto; si no encaja en la toma de corriente, solicite a un electricista cualificado que instale una toma de corriente adecuada.

Mantenimiento diario

Si el producto no se utiliza durante más de 30 días, cárguelo completamente y guárdelo en un lugar fresco y seco. Cargue el producto cada seis meses, de lo contrario, la batería podría dañarse.

Diretrizes para la eliminación de baterías

- Cuando deseche la batería, asegúrese de que esté completamente descargada y deposítela en el contenedor de reciclaje de baterías designado.
- La batería de este producto contiene sustancias químicas y está estrictamente prohibido tirarla a la basura general. Respete las leyes y normativas locales sobre el reciclaje y eliminación de baterías.
- Si la batería no puede descargarse completamente debido a un fallo del producto, no la deseche directamente en el contenedor de reciclaje de baterías. Póngase en contacto con una empresa profesional de reciclaje de baterías para su eliminación.

Precauciones de seguridad durante la carga

- Si utiliza dos o más paneles solares para recargar el producto, utilice el mismo tipo de panel solar. El producto puede conectarse con uno, dos o cuatro paneles solares. Cuando utilice cuatro paneles solares para recargar el producto, asegúrate de que la conexión entre los paneles solares sea dos en serie y dos en paralelo.
- No recargue el producto con cables de carga de coche y paneles solares al mismo tiempo, ya que podría dañar el fusible.
- Se recomienda el uso de Accesorios Segway - Segway Solar Panel SP para la carga solar. El uso de paneles solares de otras marcas puede causar daños de los que no nos hacemos responsables.

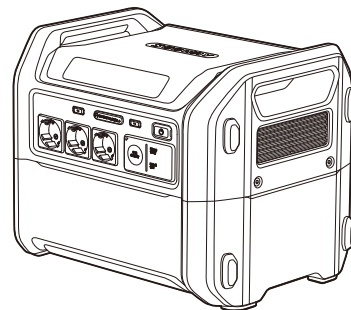
Aviso de alta temperatura

La temperatura del producto puede ser demasiado alta para alimentar aparatos eléctricos de alta potencia durante mucho tiempo, y puede activarse la protección contra altas temperaturas. Por seguridad de la batería, el producto limitará automáticamente la potencia de salida para reducir la temperatura. Si se alcanza el límite, la salida se cortará y la función de carga no estará disponible. Deje de utilizar las cargas de alta potencia inmediatamente si aparece esta advertencia, enfríe el producto y luego intente utilizarlo de nuevo.

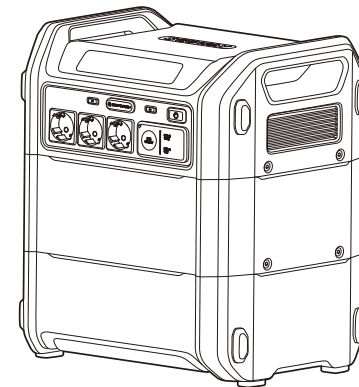
Nos tomamos muy en serio su seguridad y la protección de nuestros productos. Si tiene alguna pregunta o sugerencia, póngase en contacto con el servicio de atención al cliente de Segway.

2 Listado de contenido

Estación eléctrica portátil Segway:



CUBE-1000 x 1



CUBE-2000 x 1

Accesorios:



Cable de carga de CA x 1



Cable de carga para coche x 1



3 mm
Llave Allen x 1



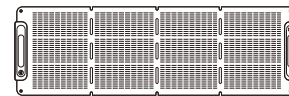
Manual del usuario x 1



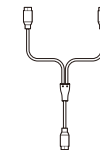
Política de garantía x 1

* Solo para CUBE-2000

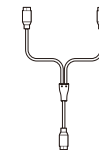
* Accesorios vendidos por separado



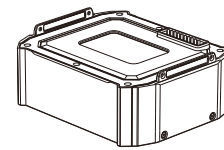
Panel solar de Segway



Conector en serie



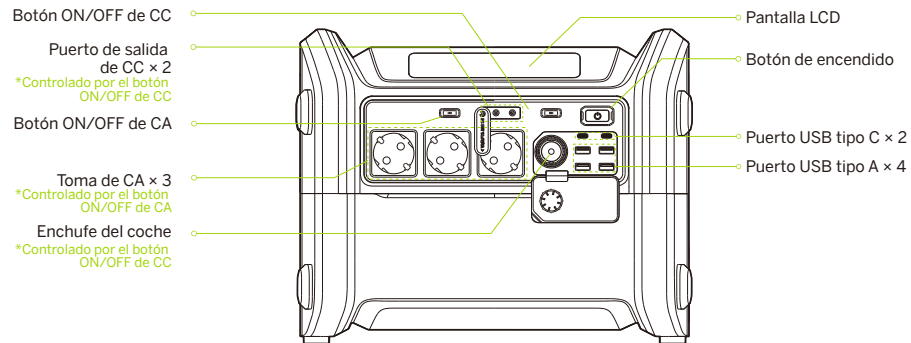
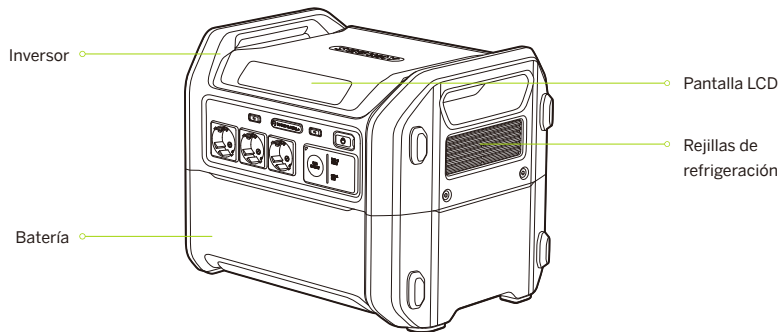
Conector paralelo



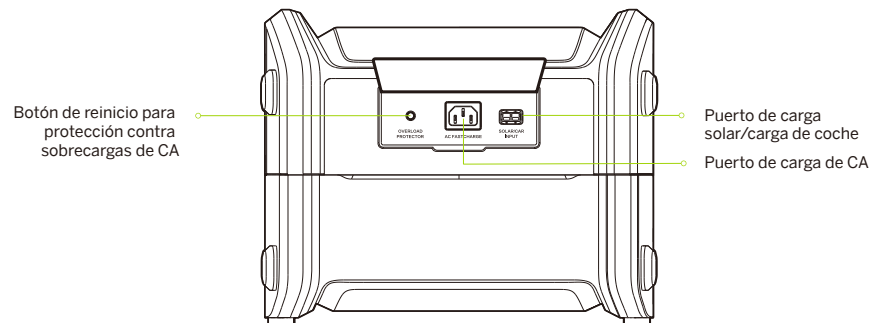
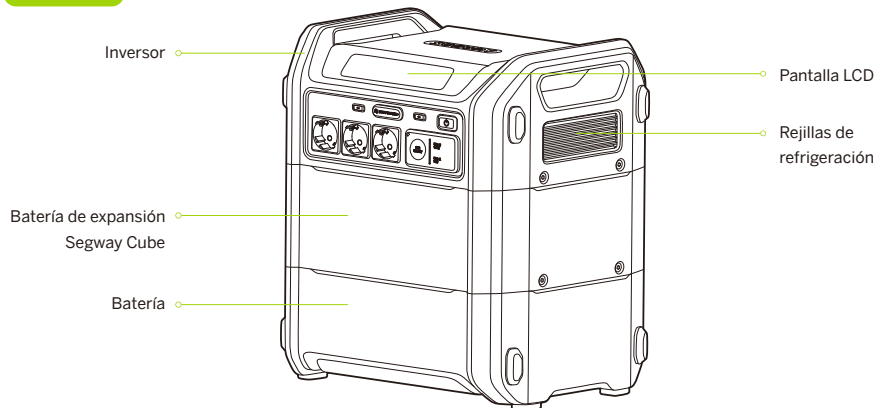
Batería de expansión Segway Cube

3 Descripción de los productos

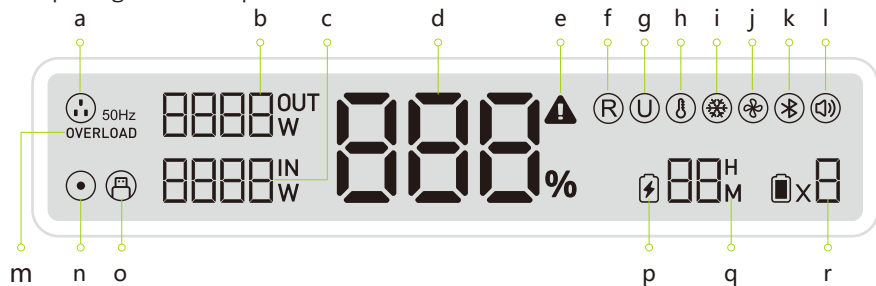
CUBE-1000



CUBE-2000



Descripción general de la pantalla



a 50Hz
Salida de CA
El icono del enchufe aparece como Salida de CA, la frecuencia de salida es de 50 Hz.

b 8888 OUT W
Corriente de salida

c 8888 IN W
Corriente de entrada

d 888 %
Potencia de la batería

e **!**
Advertencia
Cuando el icono se ilumina, significa que se ha activado la protección contra altas temperaturas, la protección contra bajas temperaturas o la protección contra sobrecargas de CA.

f R
R-Drive
Ajuste de forma inteligente la potencia de funcionamiento de los aparatos eléctricos y asegúrese de que funcionan a la potencia nominal del inversor. Soporta cargas de hasta 4400 W.

g U
SAI (sistema de alimentación ininterrumpida)
Cambia automáticamente a alimentación por inversor si la entrada de CA se corta por un fallo de la red eléctrica y asegúrese de que los aparatos eléctricos funcionen con normalidad.

h ⚠
Protección contra altas temperaturas
La potencia parcial de entrada/salida se reducirá automáticamente cuando la temperatura del aparato sea demasiado alta.

i ❄
Protección contra bajas temperaturas
La potencia parcial de entrada/salida se reducirá automáticamente cuando la temperatura del aparato sea demasiado baja.

j ⚙
Ventilador
El icono indica que el ventilador está funcionando.

k 🔊
Bluetooth
El icono parpadea durante el emparejamiento y permanece encendido cuando el dispositivo se conecta correctamente.

l 🔊
Tono del botón

m OVERLOAD
Sobrecarga de la salida de CA

n ●
Salida de CC/toma de coche

o 🚗
Salida USB

p 🔋
Cargando

q 888 H
Tiempo de descarga/carga restante

r 🔋 X 🔋
Cantidad de baterías
CUBE-1000 🔋 X 1
CUBE-2000 🔋 X 2

4 Cómo utilizar la estación eléctrica

* Ilustrado con CUBE-1000

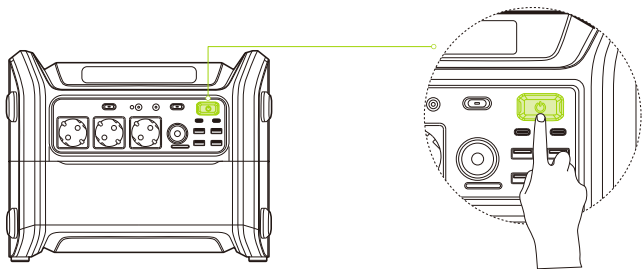
1 Encender/Apagar

Mantenga pulsado el botón de encendido durante más de 1 segundo para encenderlo/apagarlo.

Pulse el botón de encendido para activar o atenuar la pantalla cuando la estación eléctrica esté encendida.

Encendido: La estación emite un pitido y el indicador del botón se ilumina en blanco.

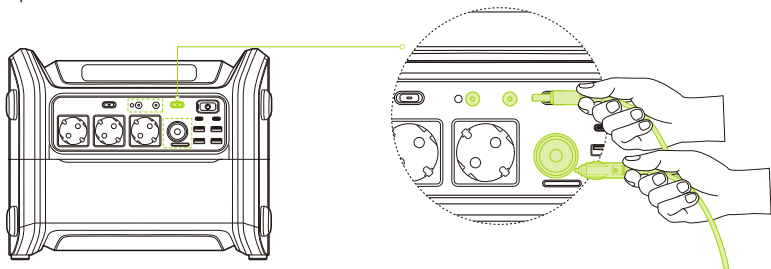
Apagado: La estación emite un pitido y el indicador del botón se apaga.



2 Salida de CC

* Puerto de salida de CC × 2 / Toma de corriente del coche × 1

a) Cuando la estación esté encendida, pulse el botón ON/OFF de CC para encender la salida de CC, conecte el aparato al puerto de salida de CC.

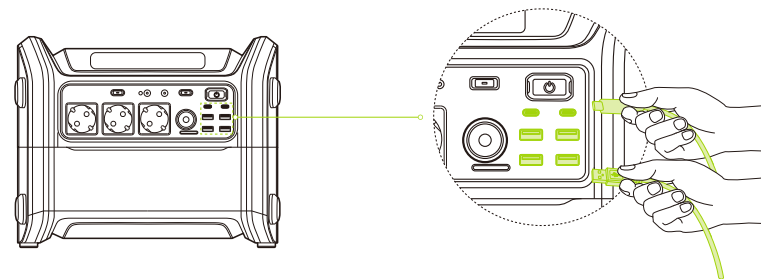


b) Pulse el botón ON/OFF de CC para encender la toma de corriente del coche. La toma de corriente del coche soporta salida de corriente constante, y puede utilizar el cable específico para cargar la batería del coche (solo para cargar, no se puede utilizar para arrancar el vehículo).



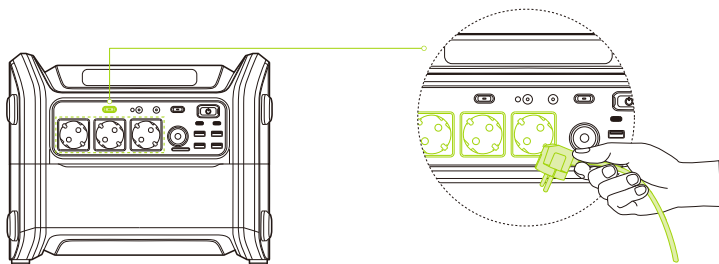
3 Salida USB

Conecte el dispositivo al puerto de salida USB.



4 Salida de CA

Cuando la estación eléctrica esté encendida, pulse el botón ON/OFF de CA para encender la salida de CA, conecte el aparato a la toma de CA.

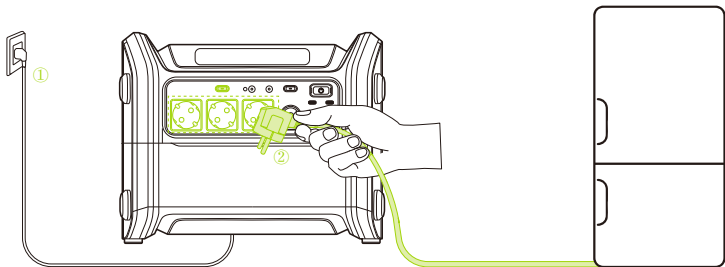


5 Función SAI

Cuando la función SAI está activada:

- ① Enchufe el cable de carga de CA a la toma de pared y conecte el otro extremo al puerto de carga de CA de la estación eléctrica.
- ② Pulse el botón ON/OFF de CA para encender la salida de CA, conecte el dispositivo de CA a la toma de CA.

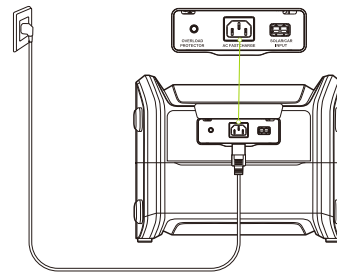
* En este punto, se activa la función SAI y la estación eléctrica pasará automáticamente a funcionar con inversor cuando falle la red eléctrica.



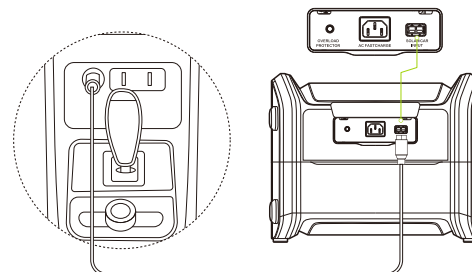
5 Cómo recargar la estación eléctrica

La estación eléctrica tiene dos puertos de carga: un puerto de carga de CA y un puerto de carga solar/de coche. Al recargar la estación eléctrica, la pantalla mostrará el estado de carga. Hay cinco métodos de carga, y también está disponible la carga dual.

- ① Carga de CA
- ② Carga de coche
- ③ Carga solar
- ④ Carga de CA y solar
- ⑤ Carga de CA y de coche



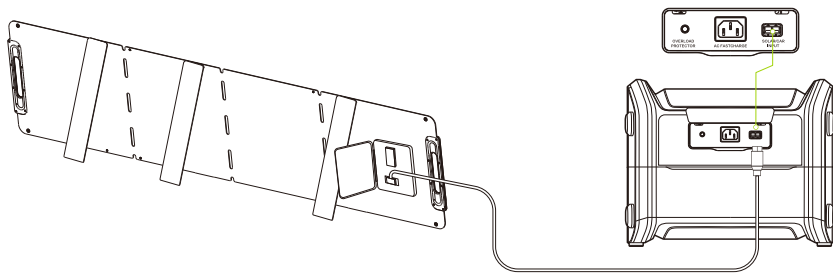
Carga de CA



Carga de coche

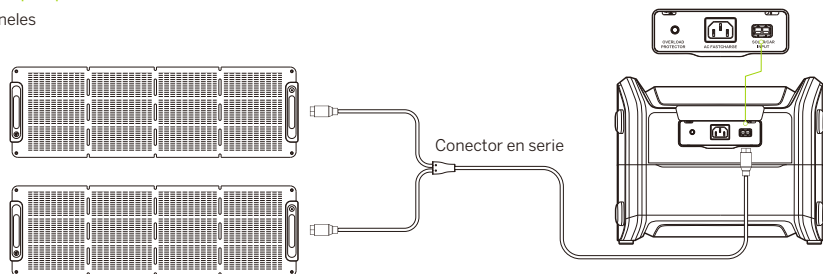
Carga solar

a. Panel solar individual



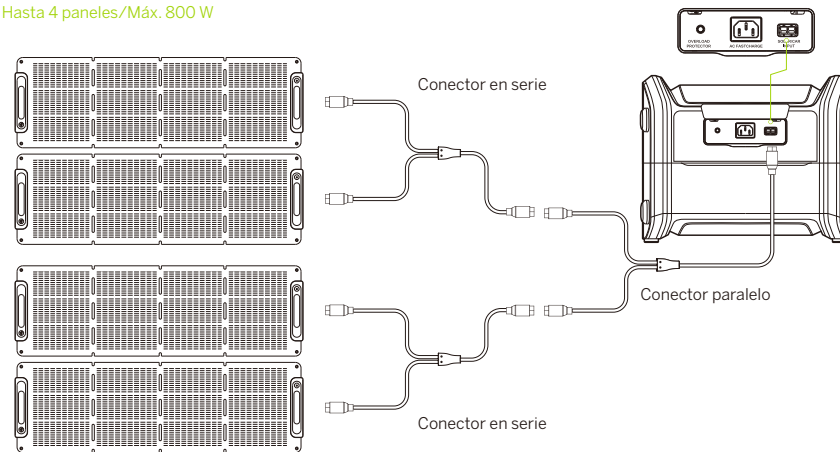
b. Múltiples paneles solares

2 paneles



4 paneles

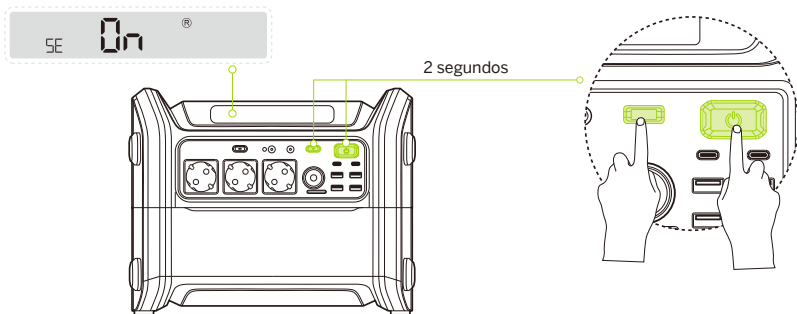
* Hasta 4 paneles/Máx. 800 W



6 Configuración

Cuando la estación esté apagada, mantenga pulsado el botón ON/OFF de CC y el botón de encendido durante 2 segundos al mismo tiempo para ir a la configuración.

Nota: La carga y la descarga no están disponibles durante el proceso de ajuste.



Operaciones básicas de los botones

Botón de encendido: Pulse para guardar y salir de la configuración.

Botón ON/OFF de CA: Ir al siguiente ajuste.

Botón ON/OFF de CC: Cambie entre las opciones del ajuste actual.

Configuración

Nota: Se recomienda personalizar estos ajustes directamente a través de la aplicación Segway-Ninebot.

Icono	Ajuste	Indicador	Opciones
Ⓡ	R-Drive ^[1]	 	<p>El ajuste por defecto es activado. La función puede activarse o desactivarse.</p> <p>* Esta función solo es aplicable a aparatos resistivos. Desconecte inmediatamente esta función si los aparatos no pueden funcionar con normalidad.</p>

Icono	Ajuste	Indicador	Opciones
Ⓚ	SAI (sistema de alimentación ininterrumpida) ^[2]	 	El ajuste por defecto es activado. La función puede activarse o desactivarse.
⊕	Modo de ventilador	 	Hay dos modos disponibles. Modo de refrigeración activo: El ventilador funciona automáticamente y mantiene la estación a una temperatura relativamente baja. Modo silencioso: El ventilador funciona automáticamente a una velocidad y frecuencia relativamente bajas.
🔊	Tono del botón	 	El ajuste por defecto es activado. El sonido del botón se puede activar/desactivar.

Características

1 R-Drive

Esta función no es aplicable a todos los aparatos eléctricos, sino solo a los aparatos resistivos, como secadores de pelo y hervidores eléctricos. Compruebe la compatibilidad antes de utilizarlo. No son compatibles los aparatos de gran potencia, como aires acondicionados, cafeteras, secadoras, cocinas eléctricas, frigoríficos grandes, microondas, cortacéspedes, hornos y lavadoras.

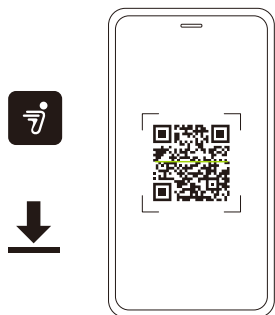
2 SAI (sistema de alimentación ininterrumpida)

Cuando conecte la estación eléctrica a la fuente de alimentación de CA y, a continuación, conecte los aparatos a la toma de CA de la estación eléctrica, los aparatos recibirán alimentación de la fuente de alimentación de CA, no de la estación eléctrica. Si falla la fuente de alimentación de CA, la estación eléctrica cambiará automáticamente a alimentación por inversor para los aparatos en 20-30 ms.

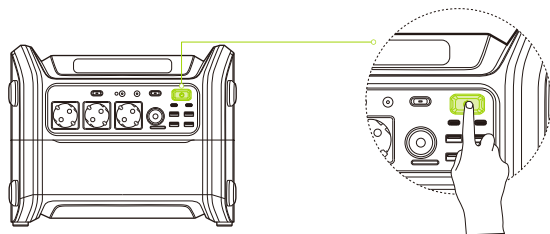
La función SAI es de tipo fuera de línea y no admite conmutación de 0 ms. No utilice la estación eléctrica para cargar dispositivos que requieran un suministro de corriente continua. Compruebe la compatibilidad antes de utilizarlo.

7 Guía del usuario de la aplicación

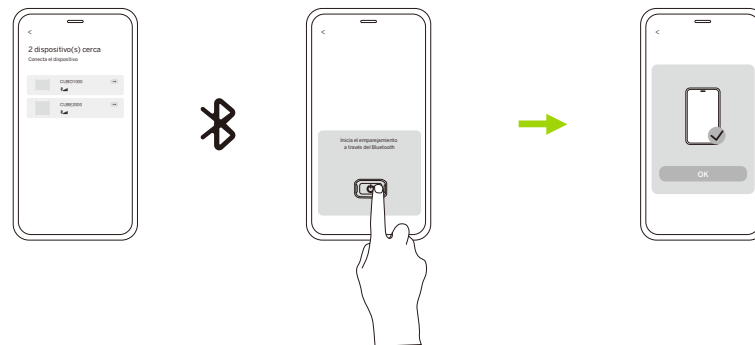
- 1 Escanee el código QR para descargar la aplicación Segway-Ninebot para registrarse o iniciar sesión.



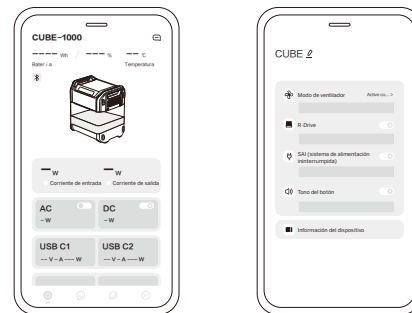
- 2 Mantenga pulsado el botón de encendido para encender la estación.



- 3 Pulse «Añadir dispositivo» y siga las instrucciones para conectarse a la estación a través de Bluetooth.



- 4 Personalice la configuración directamente a través de la aplicación. Compruebe la información en tiempo real de la batería restante, la temperatura, la potencia de entrada/salida de cada puerto de entrada/salida, etc.



8 Especificaciones

Estación eléctrica	Nombre del producto	Estación eléctrica portátil Segway Cube	
	Modelo	CUBE-1000	CUBE-2000
	L x An x Al*	354 × 289 × 284 mm (13,9 × 11,3 × 11,1 pulgadas)	354 × 289 × 399 mm (13,9 × 11,3 × 15,7 pulgadas)
	Peso neto*	16,2 kg (35,7 libras)	26,1 kg (57,5 libras)
	Modelo de inversor	CUBE-IV-2200	
	Modelo de batería incluido	CUBE-BT-1000	CUBE-BT-1000, CUBE-BTX-1000
	Frecuencia nominal	60 Hz	
	Corriente máxima de salida en total	2200 W	2584 W
	Corriente de salida máx. de CA	2200 W	
	Corriente de salida máx. de CC	384 W	
	Entrada de CA	230 V~ 50 Hz 1250 W Max	
	Entrada del coche	12 V/24 V=200 W Max	
	Entrada del panel solar	12-60 V=800 W Max	
	Salida de CA (× 3)	230 V~9,56 A 50 Hz 2200 W Máx. (modo inversor, onda sinusoidal pura) / 230 V~ 50 Hz 5,2 A Máx. (modo bypass)	
	Enchufe del coche	13,6 V=10 A 136 W máx.	
	Salida DC5525 (× 2)	13,6 V=5 A 68 W máx.	
	Salida USB tipo A (× 4)	5/9/12 V=3 A 18W Máx.	
Salida USB Tipo C (× 2)	5/9/12/15/20 V=5 A 100 W máx.		
Temperatura de descarga	14 °F~113 °F (-10 °C~45 °C)		
Temperatura de carga	41 °F~113 °F (5 °C~45 °C)		
Batería	Modelo	CUBE-BT-1000	CUBE-BTX-1000
	L x An x Al*	354 × 289 × 152 mm (13,9 × 11,3 × 5,9 pulgadas)	348 × 289 × 135 mm (13,7 × 11,3 × 5,3 pulgadas)
	Peso neto*	10 kg (22 libras)	9,9 kg (21,8 libras)
	Tipo de Batería	Batería LFP (LiFePO ₄)	
	Capacidad nominal	20 Ah	
	Energía nominal	1024 Wh	
	Tensión nominal	51,2 V =	
	Máx. tensión de carga	57,6 V =	
	Clasificación IP	IP56	
	Sistema de gestión de la batería	Protección contra sobretensión, sobrecorriente y sobretensión.	

* Puede diferir ligeramente del valor real debido a las diferentes herramientas y métodos de medición.

9 Solución de problemas

Código de error	Posibles causas	Solución
E01	Protección contra sobretensión de la batería	Enfríe la batería
E02	Protección de baja temperatura de la batería	Haga que la batería vuelva a la temperatura normal.
E03	Protección contra subtensión de la batería	Cárguela inmediatamente.
E04	Error de comunicación de la batería 1	1. Apague la estación y compruebe si la batería está bien conectada. 2. Reinicie la estación eléctrica. Nota: si el código de error persiste después de seguir los métodos anteriores, la batería puede estar dañada.
E05	Error de comunicación de la batería 2	
E06	Protección contra sobretensión durante la carga	1. Enfríe la estación eléctrica. 2. Compruebe el ventilador y las rejillas de refrigeración y aplique la disipación de calor para la estación eléctrica.
E07	Protección contra sobretensión durante la descarga	
E08	Anomalía en la carga solar	1. Compruebe el tipo de panel solar (80V/20A). Si no es así, el circuito de hardware del panel solar puede estar dañado; póngase en contacto con el servicio de posventa para obtener ayuda. 2. Si no es así, desconecte el panel solar.
E09	Error de entrada de CA	Anomalía en la entrada de CA causada por una red eléctrica inestable, desconecte el cable de carga de CA.
E10	Sobrecarga o cortocircuito de la salida para el coche	Desconecte las cargas. Apague la salida de CC después de 5 segundos y vuelva a intentarlo más tarde.
E11	Sobrecarga o cortocircuito de la salida USB	Desconecte los dispositivos USB.
E12	Protección contra sobrecargas de la salida de CA	Desconecte las cargas. Apague la salida de CA después de 5 segundos y vuelva a intentarlo más tarde.
E13	Protección contra cortocircuitos de la salida de CA	
E14	Mal funcionamiento del inversor	Desconecte los dispositivos de CA. Apague la salida de CA después de 5 segundos y vuelva a intentarlo más tarde.
E15	Mal funcionamiento de la batería	Mantenga la estación eléctrica parada y vuelva a ponerla en marcha.
E16	Mal funcionamiento de los cables internos	Desconecte todos los dispositivos de entrada/salida y reinicie la estación.

* Para los códigos de error de E09 a E16, si el código de error sigue existiendo después de operar con los métodos anteriores, póngase en contacto con el servicio de posventa para obtener ayuda.

10 Certificación

Declaración de cumplimiento de la Unión Europea Información importante sobre RAEE



Este símbolo en el producto o en su embalaje indica que los productos eléctricos y electrónicos usados no deben mezclarse con los residuos municipales sin clasificar. Para un tratamiento adecuado, es su responsabilidad deshacerse de su equipo de desecho organizándose para devolverlo a los puntos de recolección designados. La eliminación correcta de este producto ayudará a ahorrar recursos valiosos y evitará cualquier posible efecto negativo en la salud humana y el medio ambiente, que de otro modo podría derivarse de un manejo inadecuado de los desechos.

Pueden aplicarse sanciones por la eliminación incorrecta de estos residuos, de acuerdo con su legislación nacional.

Póngase en contacto con su autoridad local para obtener más información sobre el punto de recogida designado más cercano.

Información de reciclaje de baterías para usuarios



Este símbolo significa que las baterías y acumuladores, al final de su vida útil, no deben mezclarse con residuos municipales sin clasificar. Su participación es una parte importante del esfuerzo para minimizar el impacto de las baterías y acumuladores en el medio ambiente y en la salud humana.

Para un reciclaje adecuado, puede devolver este producto o las baterías o acumuladores que contiene a su proveedor o a un punto de recogida designado. La eliminación correcta de este producto ayudará a ahorrar recursos valiosos y evitará cualquier posible efecto negativo en la salud humana y el medio ambiente, que de otro modo podría derivarse de un manejo inadecuado de los desechos. Pueden aplicarse sanciones por la eliminación incorrecta de estos residuos, de acuerdo con su legislación nacional. existen sistemas de recogida selectiva de baterías y acumuladores usados.

Deseche las baterías y acumuladores correctamente en el centro de reciclaje/recolección de residuos de su comunidad local.

Restricción del uso de la Directiva de Restricción de Sustancias Peligrosas (RoHS)

Ninebot New Energy Technology (Beijing) Co., Ltd. declara por la presente que todo el producto, incluidas las piezas

(cables, cordones, etc.), cumple con los requisitos de la Directiva RoHS 2011/65/UE y la enmienda de la Directiva Delegada (UE) 2015/863 de la Comisión sobre la restricción del uso de ciertas sustancias peligrosas en equipos eléctricos y electrónicos ("RoHS refundido" o "RoHS 2.0").

La Restricción del Uso de Ciertas Sustancias Peligrosas en las Normativas de Equipos Eléctricos y Electrónicos 2012

Ninebot New Energy Technology (Beijing) Co., Ltd. declara por la presente que todo el producto, incluidas las piezas (cables, cordones, etc.), cumple con los requisitos de la Restricción del uso de ciertas sustancias peligrosas en las Normativas de Equipos Eléctricos y Electrónicos de 2012.



Normativas de Equipos de Radio 2017

Ninebot New Energy Technology (Beijing) Co., Ltd. declara por la presente que el producto enumerado en esta sección cumple con los requisitos esenciales y otras disposiciones relevantes de las Normativas de Equipos de Radio 2017.

La Restricción del Uso de Ciertas Sustancias Peligrosas en las Normativas de Equipos Eléctricos y Electrónicos 2012

Ninebot New Energy Technology (Beijing) Co., Ltd. declara por la presente que todo el producto, incluidas las piezas (cables, cordones, etc.), cumple con los requisitos de la Restricción del uso de ciertas sustancias peligrosas en las Normativas de Equipos Eléctricos y Electrónicos de 2012.



La Directiva de equipos de radio

Ninebot New Energy Technology (Beijing) Co., Ltd. declara por la presente que el producto enumerado en esta sección cumple con los requisitos esenciales y otras disposiciones relevantes de la Directiva de equipos de radio 2014/53/EU.

Bluetooth	Bandas de frecuencia	2,4000-2,4835 GHz
	Máx. potencia de RF	20 mW

11 Marca comercial y declaración legal

Segway y Rider Design son marcas comerciales de Segway Inc.; Ninebot es una marca comercial de Ninebot (Beijing) Tech Co., Ltd.; App Store® y Apple logo® son marcas registradas de Apple Inc.; la marca Bluetooth® y sus logotipos son marcas registradas propiedad de Bluetooth SIG, Inc. y cualquier uso de dichas marcas por parte de Segway-Ninebot se realiza bajo licencia. Otras marcas y nombres comerciales pertenecen a sus respectivos propietarios.

Debido a las constantes mejoras de los productos, este manual y los productos reales pueden ser ligeramente diferentes en color, apariencia, etc. Los productos reales prevalecerán cuando exista una discrepancia entre los productos reales y el manual.

©2023 Ninebot (Beijing) Technology Co., Ltd. Todos los derechos reservados.

Aviso legal

1. Antes de utilizar la Estación Eléctrica Portátil de Segway (el «Producto»), lea atentamente el manual de usuario para garantizar un uso correcto tras su completa comprensión. Después de leerlo, guarde el manual de usuario para futuras consultas. El uso incorrecto de este producto puede provocar lesiones personales graves a usted mismo o a otras personas, así como daños al producto y pérdidas materiales.
2. Al utilizar el Producto, se considera que comprende, reconoce y acepta plenamente todos los términos y contenidos de este documento. El usuario asume la responsabilidad de sus actos y de todas las consecuencias derivadas del uso del Producto. Segway no se hace responsable de ninguna reclamación, responsabilidad o pérdida relacionada con tales consecuencias si se deben a que el usuario ha aceptado correr ese riesgo.
3. No permita que lo utilicen personas que no hayan leído atentamente este manual o que no estén familiarizadas con el uso adecuado y las precauciones de seguridad del Producto.
4. Al recibir el Producto, inspeccione inmediatamente si el producto y sus accesorios están intactos y completos. Todos los accesorios deben utilizarse de acuerdo con el manual de instrucciones.
5. Advertencia: Cualquier degradación del rendimiento de la batería o incapacidad para funcionar correctamente causada por el uso y mantenimiento inadecuados de la batería por parte del usuario no está cubierta por la Garantía Limitada.
6. En la medida en que lo permita la ley, Segway se reserva el derecho de proporcionar la interpretación y explicación finales de esta declaración.

Esta declaración legal se registrará por las leyes del estado en el que esté instalado su Producto, excepto en la medida en que sean incompatibles con la ley federal o se opongan a ella. Segway no será responsable de las reclamaciones, responsabilidades o pérdidas resultantes de la violación por parte del consumidor de la declaración anterior.

Usted puede optar por aceptar las condiciones anteriores y utilizar el producto en consecuencia o proceder con el proceso de devolución de acuerdo con la Garantía Limitada. Al devolver el Producto, asegúrese de que el Producto y el embalaje estén intactos para evitar que afecte a la reventa.

Si tiene intención de revender o regalar el Producto, recuerde incluir esta declaración legal, ya que forma parte integrante del Producto.

Si tiene alguna pregunta o necesita ayuda, Segway está a su servicio.

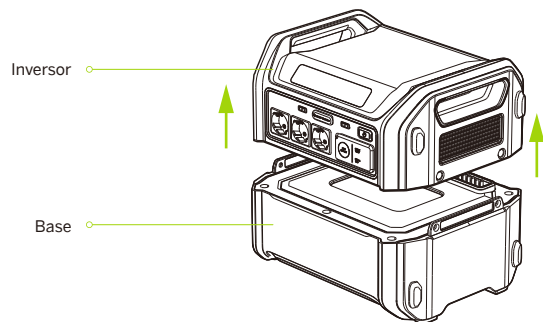
Una vez más, le agradecemos que haya elegido y confiado en nuestro Producto.

Apéndice: Ampliación de la batería

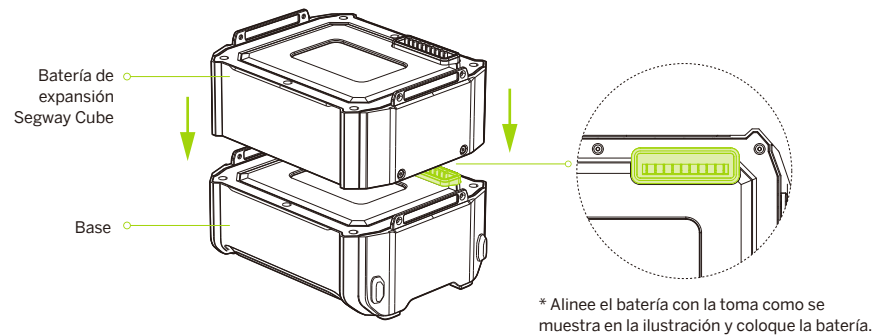
- 1 Afloje los cuatro tornillos con la llave Allen de 3 mm.



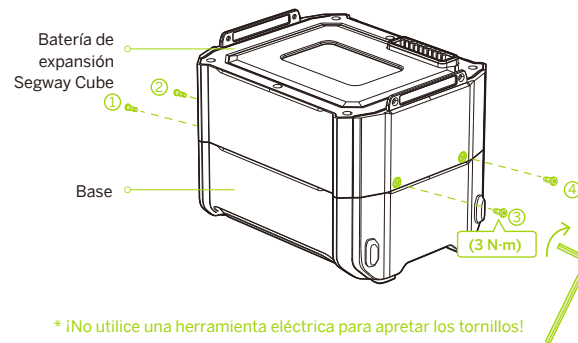
- 2 Separe el inversor y la base.



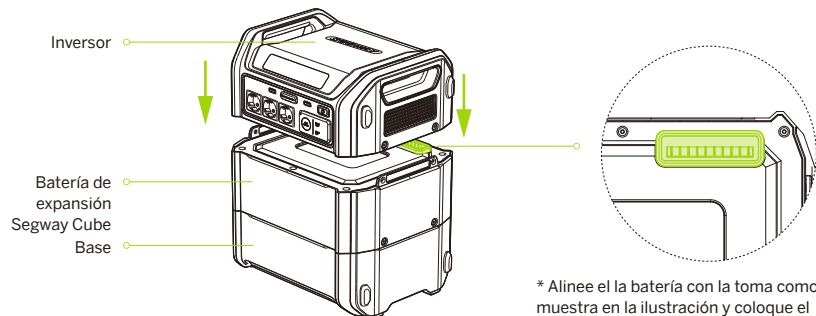
- 3 Coloque la batería en la base.



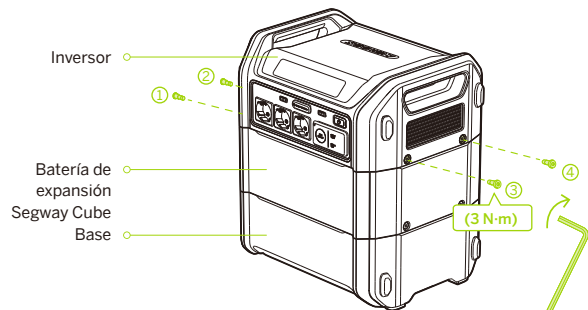
- 4 Apriete los cuatro tornillos.



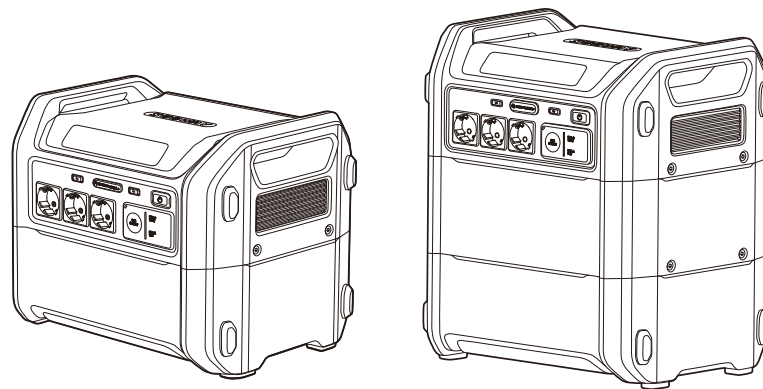
5 Coloque el inversor sobre la batería.



6 Apriete los cuatro tornillos.



* ¡No utilice una herramienta eléctrica para apretar los tornillos!



SEGWAY

Przenośna stacja zasilania Segway

CUBE-1000 / CUBE-2000

Podręcznik użytkownika

Spis treści

1. Instrukcje dotyczące bezpieczeństwa	01
2. Zawartość opakowania	04
3. Przegląd produktu	05
4. Obsługa stacji zasilania	09
5. Ładowanie stacji zasilania	12
6. Ustawienia	15
7. Podręcznik użytkownika aplikacji	17
8. Dane techniczne	19
9. Rozwiązywanie problemów	20
10. Certyfikacja	21
11. Znak towarowy i oświadczenie prawne	22
Załącznik: Rozszerzenie pojemności akumulatora	24

1 Instrukcje dotyczące bezpieczeństwa

WAŻNE INSTRUKCJE DOTYCZĄCE BEZPIECZEŃSTWA

- **OSTRZEŻENIE** - Podczas używania tego produktu należy zawsze przestrzegać podstawowych środków ostrożności, w tym poniższych:
- Przed użyciem produktu należy przeczytać wszystkie instrukcje.
- Aby zmniejszyć ryzyko obrażeń, należy ściśle nadzorować użytkowanie produktu w pobliżu dzieci.
- Nie należy wkładać palców ani dłoni do produktu.
- Używanie dodatkowych akcesoriów niezalecanych ani niesprzedawanych przez producenta modułu zasilania może spowodować ryzyko pożaru, porażenia prądem elektrycznym lub obrażeń ciała.
- Aby zmniejszyć ryzyko uszkodzenia wtyczki i przewodu elektrycznego, podczas odcłacania modułu zasilania należy ciągnąć za wtyczkę, a nie za przewód.
- Nie należy używać uszkodzonego ani zmodyfikowanego zespołu akumulatora lub urządzenia. Uszkodzone lub zmodyfikowane zespoły akumulatora mogą zachowywać się w nieprzewidywalny sposób, powodując pożar, wybuch lub ryzyko obrażeń.
- Nie używać modułu zasilania z uszkodzonym przewodem, wtyczką lub przewodem wyjściowym.
- Nie należy demontować modułu zasilania, a w razie konieczności jego naprawy lub serwisowania należy przekazać go wykwalifikowanemu pracownikowi serwisu. Nieprawidłowy ponowny montaż może spowodować ryzyko pożaru lub porażenia prądem elektrycznym.
- Aby zmniejszyć ryzyko porażenia prądem elektrycznym, przed przystąpieniem do jakichkolwiek czynności serwisowych należy odłączyć moduł zasilania od gniazdka.
- Podczas ładowania wewnętrznego akumulatora należy pracować w dobrze wentylowanym miejscu i w żaden sposób nie ograniczać wentylacji.
- W trudnych warunkach może dojść do wycieku płynu z akumulatora. Należy unikać kontaktu z tym płynem. W razie przypadkowego kontaktu słućkać go wodą. W przypadku kontaktu płynu z oczami należy zwrócić się o pomoc medyczną. Płyn wydostający się z akumulatora może powodować podrażnienia skóry lub oparzenia.
- Nie wystawiać modułu zasilania na działanie płomieni lub zbyt wysokiej temperatury. Wystawienie na działanie płomieni lub temperatury powyżej 130°C (265°F) może spowodować wybuch.
- Serwisowanie należy zlecać wykwalifikowanemu serwisantowi przy użyciu wyłącznie identycznych części zamiennych. Pozwoli to zachować bezpieczeństwo produktu.
- Nie wystawiać produktu na działanie źródeł zapłonu ani wysokich temperatur, takich jak nagrzane wnętrza pojazdów lub bezpośrednie światło słoneczne.
- Produkt należy chronić przed wilgocią i nie zanurzać go w wodzie. Nie używać produktu podczas deszczu ani w wilgotnych warunkach.
- Należy unikać używania produktu w środowisku o silnym polu elektrostatycznym/magnetycznym.
- Podczas użytkowania produktu należy przestrzegać temperatury otoczenia podanej w podręczniku użytkownika. Zbyt wysoka temperatura może spowodować pożar lub wybuch; zbyt niska temperatura może poważnie pogorszyć wydajność produktu lub uniemożliwić jego działanie.

- W przypadku przechowywania produktu przez dłuższy czas należy umieścić go w suchym i dobrze wentylowanym miejscu.
- Należy unikać zastaniania wentylatora lub umieszczania produktu w niewentylowanym lub zakurczonym miejscu.
- Nie należy demontować produktu ani przekłuwać go ostrymi przedmiotami.
- Unikać uderzeń, upadków lub gwałtownych drgań. Jeśli dojdzie do poważnego uderzenia, należy natychmiast wyłączyć zasilanie i zaprzestać użytkowania produktu.
- Należy unikać używania przewodów lub innych metalowych przedmiotów, które mogą spowodować zwarcie.
- Nie należy używać uszkodzonych przewodów, wtyczek ani przewodów wyjściowych do podłączenia tego produktu, aby uniknąć porażenia prądem elektrycznym.
- Nie należy używać nieoficjalnych podzespołów ani akcesoriów. W przypadku konieczności wymiany jakiegokolwiek komponentu lub akcesorium należy skonsultować się z oficjalnym przedstawicielem firmy Segway.
- Nie układać ciężkich przedmiotów na produkcie.
- Nie umieszczać produktu na niestabilnej powierzchni, aby nie doszło do jego przewrócenia lub upadku.
- Produkt należy przechowywać w miejscu niedostępnym dla dzieci i zwierząt domowych.
- Nie zaleca się stosowania tego produktu do zasilania medycznego sprzętu ratunkowego, który ma wpływ na bezpieczeństwo osób, w tym respiratorów klasy medycznej i sztucznych płuc. Jeśli konieczne jest zasilanie takiego urządzenia, należy postępować zgodnie z instrukcjami lekarza i skonsultować się z producentem. W przypadku używania sprzętu medycznego ogólnego przeznaczenia należy upewnić się, że zasilacz jest w dobrym stanie.
- Podczas używania tego produktu zasilacz generuje pola elektromagnetyczne, które mogą zakłócać prawidłowe działanie implantów medycznych lub osobistych urządzeń medycznych, takich jak rozruszniki serca, implanty ślimakowe, aparaty słuchowe, defibrylatory itp. W przypadku używania takich urządzeń należy skontaktować się z ich producentem w celu uzyskania informacji o ograniczeniach dotyczących ich użytkowania. Pozwoli to upewnić się, że implanty medyczne są w bezpiecznej odległości od tego produktu podczas jego użytkowania.
- Ryzyko porażenia prądem elektrycznym. Nigdy nie należy używać modułu zasilania do zasilania narzędzi elektrycznych służących do cięcia lub uzyskiwania dostępu do części lub przewodów pod napięciem, lub materiałów mogących zawierać części lub przewody pod napięciem, takich jak ściany budynków itp.

ZACHOWAJ TE INSTRUKCJE

INSTRUKCJE DOTYCZĄCE UZIEMIENIA

Ten produkt musi być uziemiony. W przypadku nieprawidłowego działania lub awarii, uziemienie zapewni ścieżkę najmniejszego oporu dla prądu elektrycznego, co zmniejszy ryzyko porażenia prądem elektrycznym. Ten produkt jest wyposażony w przewód z żyłą uziemiającą i wtyczkę z uziemieniem. Wtyczka musi być podłączona do gniazdka, które jest prawidłowo zainstalowane i uziemione zgodnie z lokalnymi przepisami.

OSTRZEŻENIE - Nieprawidłowe podłączenie przewodu uziemiającego może spowodować ryzyko porażenia prądem elektrycznym. W razie wątpliwości co do prawidłowego uziemienia produktu należy skontaktować się z wykwalifikowanym elektrykiem. Nie należy modyfikować wtyczki dostarczonej z produktem - jeśli nie pasuje ona do gniazdka, należy zlecić wykwalifikowanemu elektrykowi zainstalowanie odpowiedniego gniazdka.

Codzienna konserwacja

Jeśli produkt nie jest używany przez ponad 30 dni, należy go w pełni naładować i umieścić w chłodnym i suchym miejscu do przechowywania. Jeśli akumulator nie zostanie naładowany maksymalnie w ciągu 6 miesięcy, istnieje duże prawdopodobieństwo jego uszkodzenia.

Wytyczne dotyczące utylizacji akumulatora

- Podczas utylizacji akumulatora należy upewnić się, że jest on całkowicie rozładowany i umieścić go w wyznaczonym pojemniku do recyklingu akumulatorów.
- Akumulator tego produktu zawiera substancje chemiczne i nie wolno go wyrzucać razem z odpadami ogólnymi. Należy przestrzegać lokalnych przepisów dotyczących recyklingu i utylizacji akumulatorów.
- Jeśli akumulator nie może zostać całkowicie rozładowany z powodu awarii produktu, nie należy go wyrzucać bezpośrednio do pojemnika na zużyty akumulator. W celu dalszej utylizacji należy skontaktować się z profesjonalną firmą zajmującą się recyklingiem akumulatorów.

Środki ostrożności podczas ładowania

- W przypadku korzystania z dwóch lub więcej paneli słonecznych do ładowania produktu należy używać paneli tego samego typu. Produkt można połączyć z jednym, dwoma lub czterema panelami słonecznymi. W przypadku używania czterech paneli słonecznych do ładowania produktu należy upewnić się, że panele są połączone szeregowo i równoległe.
- Nie należy jednocześnie ładować produktu przy użyciu przewodów do ładowania samochodu i paneli słonecznych, ponieważ może to spowodować uszkodzenie bezpiecznika.
- Zaleca się używanie akcesoriów Segway - paneli słonecznych Segway SP do ładowania słonecznego. Używanie paneli słonecznych innych marek może spowodować uszkodzenia, za które nie ponosimy odpowiedzialności.

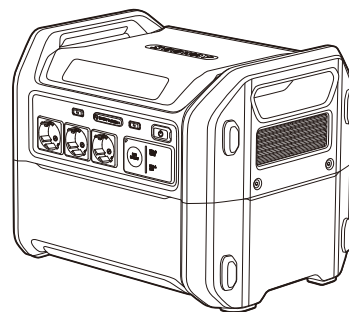
Ostrzeżenie o wysokiej temperaturze

Temperatura produktu może być zbyt wysoka do zasilania urządzeń elektrycznych o dużej mocy przez długi czas, co może spowodować zadziałanie zabezpieczenia przed wysoką temperaturą. W celu zapewnienia bezpieczeństwa użytkownika akumulatora, produkt automatycznie ograniczy moc wyjściową, aby obniżyć jego temperaturę. Po osiągnięciu wartości granicznej moc wyjściowa zostanie odcięta, a funkcja ładowania nie będzie dostępna. W przypadku pojawienia się tego ostrzeżenia należy natychmiast zaprzestać używania odbiorników o dużej mocy, obniżyć temperaturę produktu, a następnie spróbować użyć go ponownie.

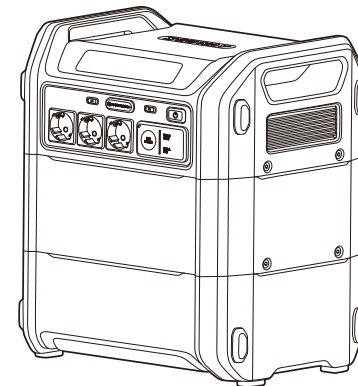
Bardzo poważnie traktujemy bezpieczeństwo użytkowników i ochronę naszych produktów. W przypadku pytań lub sugestii prosimy o kontakt z biurem obsługi klienta Segway.

2 Zawartość opakowania

Przenośna stacja zasilania Segway:

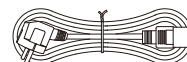


CUBE-1000 x 1



CUBE-2000 x 1

Akcesoria:



Przewód do ładowania AC x 1



Przewód do ładowania samochodu x 1



3 mm
Klucz imbusowy x 1
* Tylko dla CUBE-2000

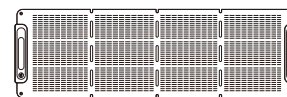


Podręcznik użytkownika x 1

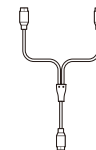


Polityka gwarancyjna x 1

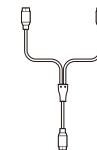
Akcesoria sprzedawane oddzielnie:



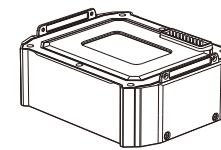
Panel słoneczny Segway SP



Złącze szeregowo



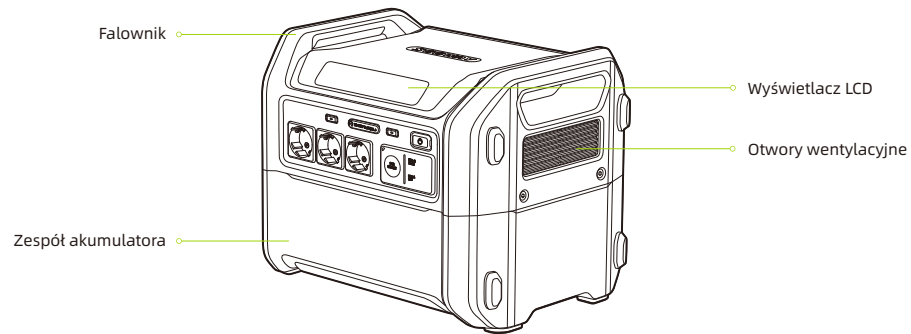
Złącze równoległe



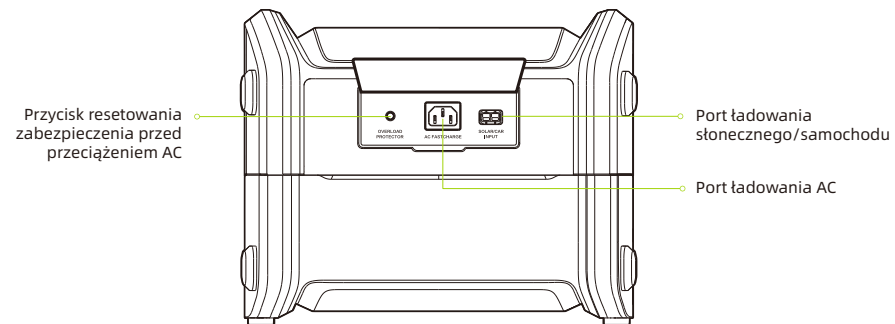
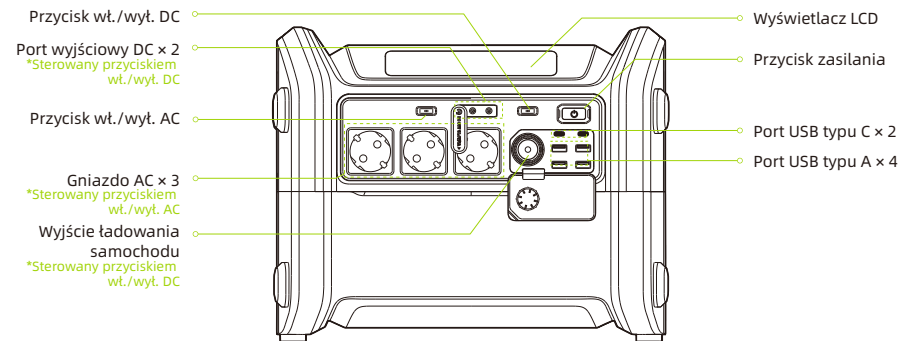
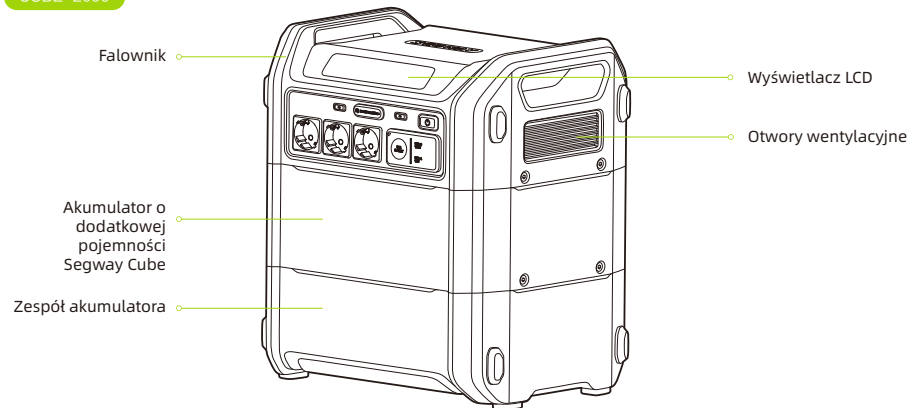
Akumulator o dodatkowej pojemności Segway Cube

3 Przegląd produktu

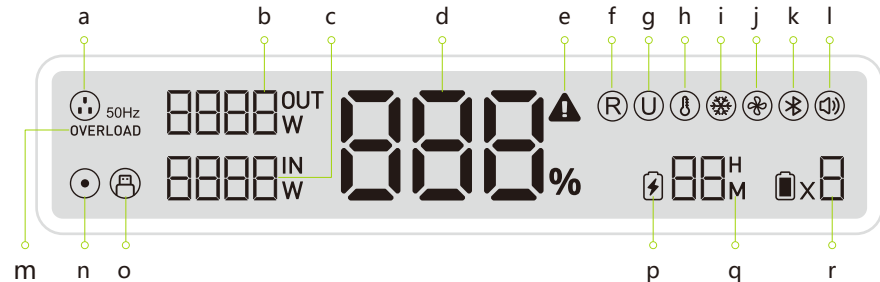
CUBE-1000



CUBE-2000



Przegląd wyświetlacza



a 50Hz
Wyjście AC
Ikona wtyczki jest wyświetlana jako Wyjście AC, częstotliwość wyjściowa wynosi 50 Hz.

b
Moc wyjściowa

c
Moc wejściowa

d
Zasilanie z akumulatora

e
Ostrzeżenie
Gdy ikona świeci, oznacza to, że zadziałało zabezpieczenie przed wysoką temperaturą, zabezpieczenie przed niską temperaturą lub zabezpieczenie przed przeciążeniem AC.

f
R-Drive
Inteligentnie dostosowuje moc roboczą urządzeń elektrycznych i zapewnia ich pracę z mocą znamionową falownika. Obsługa obciążeń do 4400 W.

g
UPS (zasilanie bezprzerwowe)
Automatycznie przetączy na zasilanie z falownika w przypadku odcięcia zasilania AC z powodu awarii sieci energetycznej i sprawdź, czy urządzenia elektryczne działają prawidłowo.

h
Zabezpieczenie przed wysoką temperaturą
Częściowa moc wejściowa/wyjściowa zostanie automatycznie zmniejszona, gdy temperatura urządzenia będzie zbyt wysoka.

i
Zabezpieczenie przed niską temperaturą
Częściowa moc wejściowa/wyjściowa zostanie automatycznie zmniejszona, gdy temperatura urządzenia będzie zbyt niska.

j
Wentylator chłodzący
Ikona wskazuje, że wentylator działa.

k
Łącze Bluetooth
Ikona miga podczas parowania i pozostaje włączona po pomyślnym połączeniu urządzenia.

l
Dźwięk naciskania przycisków

m
Przeciążenie wyjścia AC

n
Wyjście DC/wyjście ładowania samochodu

o
Wyjście USB

p
Ładowanie

q
Pozostały czas rozładowania/ładowania

r
Liczba zespołów akumulatora
CUBE-1000 x 1
CUBE-2000 x 2

4 Obsługa stacji zasilania

* Na ilustracji przedstawiono CUBE-1000

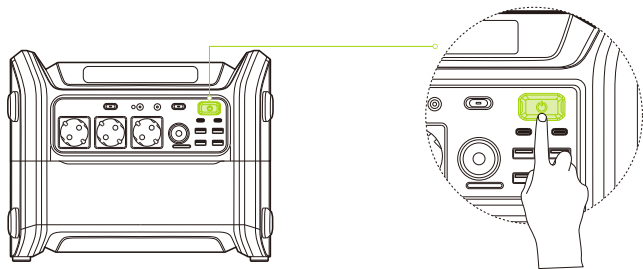
1 Włączanie/wyłączanie

Naciśnij i przytrzymaj przycisk zasilania przez ponad 1 sekundę, aby go włączyć/wyłączyć.

Naciśnij przycisk zasilania, aby wybudzić lub przyćmienić ekran, gdy stacja zasilania jest włączona.

Włączenie: stacja zasilania wyemituje jeden sygnał dźwiękowy, a wskaźnik przycisku zaświeci na biało.

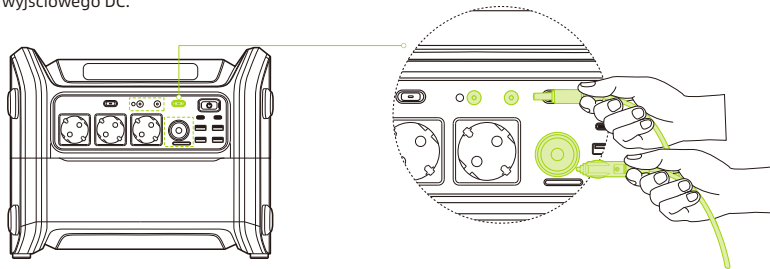
Wyłączenie: stacja zasilania wyemituje jeden sygnał dźwiękowy, a wskaźnik przycisku zgaśnie.



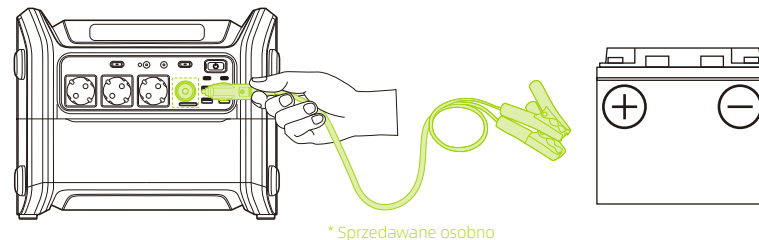
2 Wyjście DC

* Port wyjściowy DC x 2 / wyjście ładowania samochodu x 1

a) Gdy stacja zasilania jest włączona, naciśnij przycisk wł./wyt. DC, aby włączyć wyjście DC i podłączyć urządzenie do portu wyjściowego DC.



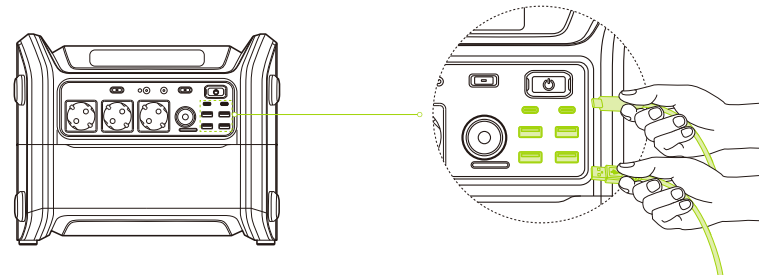
b) Naciśnij przycisk wł./wyt. DC, aby włączyć wyjście ładowania samochodu. Wyjście ładowania samochodu wykorzystuje stały prąd wyjściowy i umożliwia ładowanie akumulatora za pomocą specjalnego przewodu. (Tylko do ładowania, nie można go używać do rozruchu pojazdu).



* Sprzedawane osobno

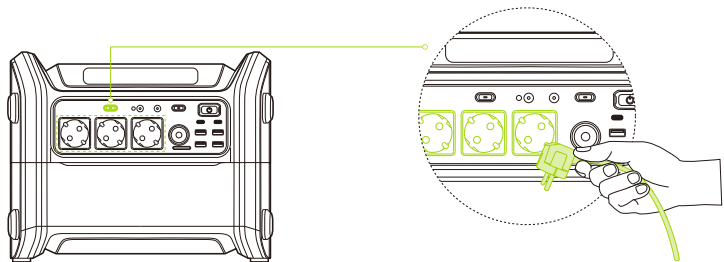
3 Wyjście USB

Podłącz urządzenie do portu wyjściowego USB.



4 Wyjście AC

Gdy stacja zasilania jest włączona, naciśnij przycisk wł./wyt. AC, aby włączyć wyjście AC i podłączyć urządzenie do gniazda AC.

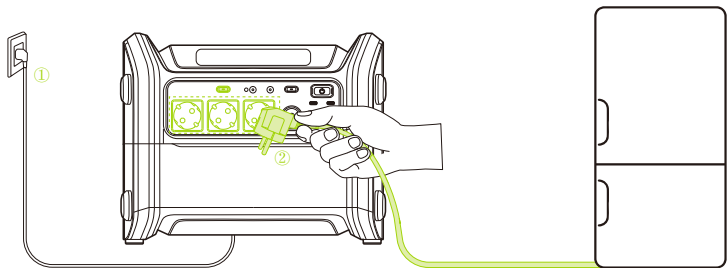


5 Funkcja UPS

Gdy funkcja UPS jest włączona:

- ① Podłącz przewód ładowania AC do gniazdka ściennego, a drugi koniec do portu ładowania AC stacji zasilania.
- ② Naciśnij przycisk wł./wyt. AC, aby włączyć wyjście AC i podłączyć urządzenie AC do gniazda AC.

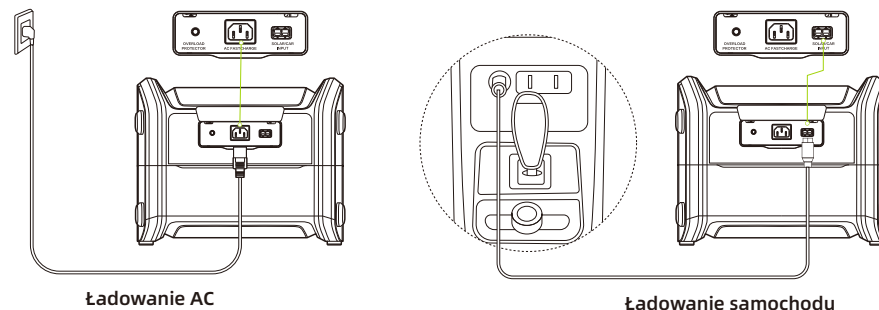
* W tym momencie aktywowana jest funkcja UPS, a stacja zasilania automatycznie przełączy się na zasilanie z falownika w przypadku awarii sieci energetycznej.



5 Ładowanie stacji zasilania

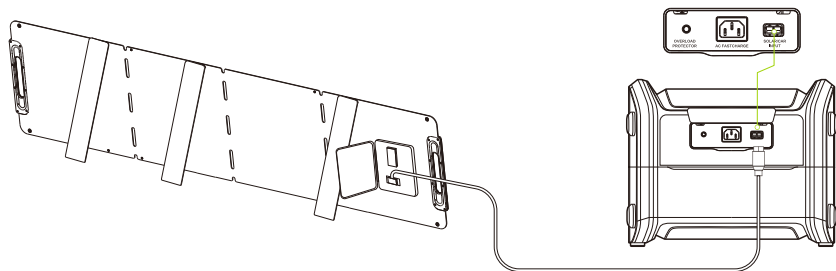
Stacja zasilania ma dwa porty ładowania, port ładowania AC i port ładowania słonecznego/samochodu. Podczas ładowania stacji zasilania wyświetlacz pokaże status ładowania. Dostępnych jest pięć metod ładowania, jak podano poniżej, dostępne jest również ładowanie podwójne.

- ① Ładowanie AC
- ② Ładowanie samochodu
- ③ Ładowanie słoneczne
- ④ Ładowanie AC i ładowanie słoneczne
- ⑤ Ładowanie AC i ładowanie samochodu



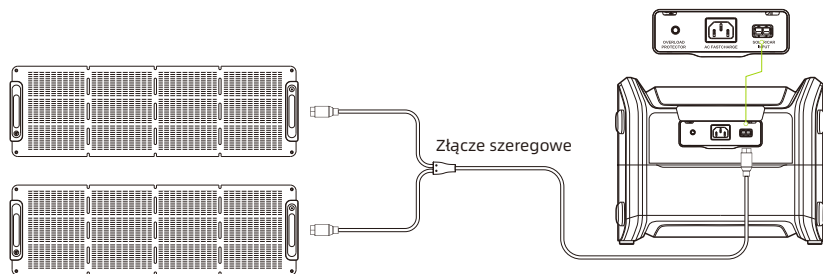
Ładowanie słoneczne

a. Pojedynczy panel słoneczny



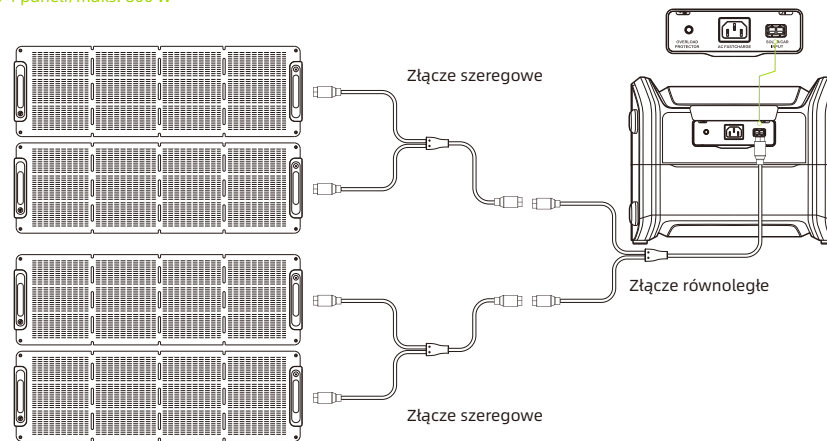
b. Wiele paneli słonecznych

2 paneli



4 paneli

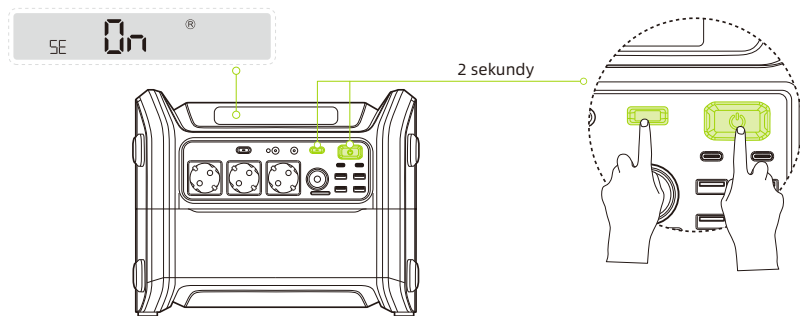
* Do 4 paneli/maks. 800 W



6 Ustawienia

Gdy stacja zasilania jest wyłączona, naciśnij i przytrzymaj jednocześnie przez 2 sekundy przycisk wł./wył. DC i przycisk zasilania, aby przejść do ustawień.

Uwaga: Funkcje ładowania i rozładowywania nie są dostępne podczas konfiguracji ustawień.



Podstawowe funkcje przycisków

Przycisk zasilania: Naciśnij przycisk , aby zapisać i wyjść z ustawień.

Przycisk wł./wył. AC: Przejdź do następnego ustawienia.

Przycisk wł./wył. DC: Przetaczanie między opcjami bieżącego ustawienia.

Ustawienia

Uwaga: Zaleca się dostosowanie tych ustawień bezpośrednio za pomocą aplikacji Segway-Ninebot.

Ikona	Ustawienie	Wyświetlacz	Opcje
Ⓡ	R-Drive ^[1]	<div style="border: 1px solid gray; padding: 2px; display: inline-block;">SE On[®]</div> <div style="border: 1px solid gray; padding: 2px; display: inline-block;">SE OFF[®]</div>	Ustawienie domyślne to włączenie. Funkcję można włączyć/wyłączyć. * Ta funkcja ma zastosowanie wyłącznie do urządzeń z elementem rezystancyjnym. Należy natychmiast wyłączyć tę funkcję, jeśli urządzenia nie działają prawidłowo.

Ikona	Ustawienie	Wyświetlacz	Opcje
Ⓚ	UPS (zasilanie bezprzerwowe) ^[2]	<div style="border: 1px solid gray; padding: 2px; display: inline-block;">SE On[®]</div> <div style="border: 1px solid gray; padding: 2px; display: inline-block;">SE OFF[®]</div>	Ustawienie domyślne to włączenie. Funkcję można włączyć/wyłączyć.
Ⓜ	Tryb wentylatora	<div style="border: 1px solid gray; padding: 2px; display: inline-block;">SE HI[⊕]</div> <div style="border: 1px solid gray; padding: 2px; display: inline-block;">SE LO[⊕]</div>	Dostępne są dwa tryby. Aktywny tryb chłodzenia: Wentylator działa automatycznie i utrzymuje temperaturę stacji zasilania na stosunkowo niskim poziomie. Tryb cichy: Wentylator działa automatycznie z relatywnie niską prędkością i częstotliwością.
🔊	Dźwięk naciskania przycisków	<div style="border: 1px solid gray; padding: 2px; display: inline-block;">SE On[®]</div> <div style="border: 1px solid gray; padding: 2px; display: inline-block;">SE OFF[®]</div>	Ustawienie domyślne to włączenie. Dźwięk przycisku można włączyć/wyłączyć.

Cechy

1 R-Drive

Ta funkcja nie ma zastosowania do wszystkich urządzeń elektrycznych, ale tylko do urządzeń z elementem rezystancyjnym, takich jak suszarki do włosów i czajniki elektryczne. Przed użyciem należy sprawdzić kompatybilność. Urządzenia o dużej mocy, takie jak klimatyzatory, ekspresy do kawy, suszarki, kuchenki elektryczne, duże lodówki, kuchenki mikrofalowe, kosiarki do trawy, piekarniki i pralki nie są kompatybilne.

2 UPS (zasilanie bezprzerwowe)

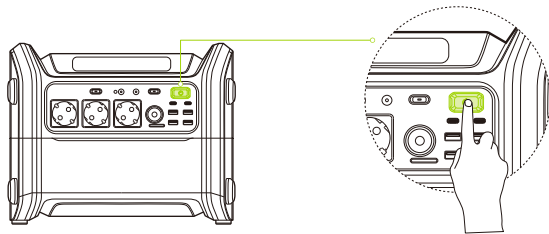
Po podłączeniu stacji zasilania do źródła zasilania AC, a następnie podłączeniu urządzeń do gniazda AC stacji zasilania, urządzenia będą zasilane ze źródła zasilania AC, a nie ze stacji zasilania. W przypadku awarii źródła zasilania AC, stacja automatycznie przełączy się na zasilanie z falownika dla urządzeń w ciągu 20-30 ms. Funkcja UPS to funkcja typu offline i nie obsługuje przetłaczania 0 ms. Nie używaj stacji zasilania do ładowania urządzeń wymagających ciągłego zasilania. Przed użyciem należy sprawdzić kompatybilność.

7 Podręcznik użytkownika aplikacji

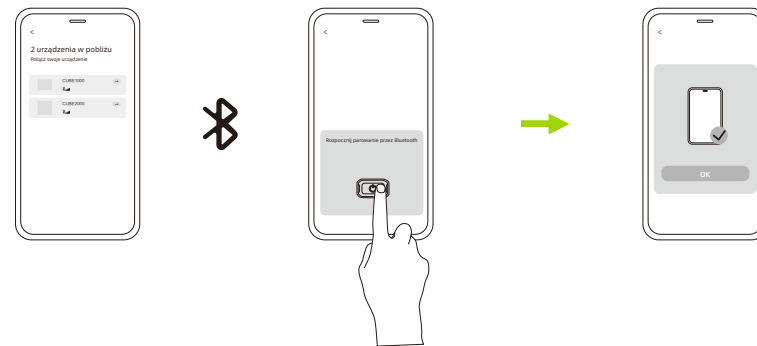
- 1 Zeskanuj kod QR, aby pobrać aplikację Segway-Ninebot i zarejestrować lub zalogować się.



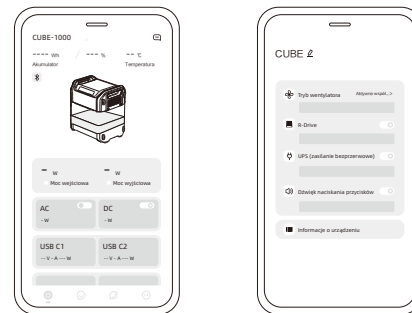
- 2 Naciśnij i przytrzymaj przycisk zasilania, aby włączyć stację.



- 3 Dotknij „Dodaj urządzenie” i postępuj zgodnie z instrukcjami, aby połączyć się ze stacją zasilania przez Bluetooth.



- 4 Dostosuj ustawienia bezpośrednio w aplikacji. Sprawdzaj w czasie rzeczywistym informacje o pozostałym poziomie naładowania akumulatora, temperaturze, mocy wejściowej/wyjściowej każdego z portów wejściowych/wyjściowych itp.



8 Dane techniczne

Stacja ładowania	Nazwa produktu	Przenośna stacja zasilania Segway Cube	
	Model	CUBE-1000	CUBE-2000
	Dł. × SZER. × WYS.	354 × 289 × 284 mm (13,9 × 11,3 × 11,1 cala)	354 × 289 × 399 mm (13,9 × 11,3 × 15,7 cala)
	Masa netto*	16,2 kg (35,7 funta)	26,1 kg (57,5 funta)
	Model falownika	CUBE-IV-2200	
	Dołączony model zespółu akumulatora	CUBE-BT-1000	CUBE-BT-1000, CUBE-BTX-1000
	Częstotliwość znamionowa	50 Hz	
	Maks. całkowita moc wyjściowa	2200 W	2584 W
	Maks. moc wyjściowa AC	2200 W	
	Maks. moc wyjściowa DC	384 W	
	Wejście AC	230 V~ 50 Hz, maks. 1250 W	
	Wejście ładowania samochodu	12 V/24 V = maks. 200 W	
	Wejście panelu słonecznego	12-60 V = maks. 800 W	
	Wyjście AC (× 3)	230V~, 9,56 A, 50 Hz, maks. 2200 W (tryb falownika, czysta fala sinusoidalna) /230 V~, 50 Hz, maks. 5,2 A (tryb obejściowy)	
	Wyjście ładowania samochodu	13,6 V = 10 A, maks. 136 W	
Wyjście DC5525 (× 2)	13,6 V = 5 A, maks. 68 W		
Wyjście USB typu A (× 4)	5/9/12 V = 3 A, maks. 18 W		
Wyjście USB typu C (× 2)	5/9/12/15/20 V = 5 A, maks. 100 W		
Temperatura rozładowania	-10°C~-45°C (14°F~-113°F)		
Temperatura ładowania	5°C~45°C (41°F~-113°F)		
Zespół akumulatora	Model	CUBE-BT-1000	CUBE-BTX-1000
	Dł. × SZER. × WYS.	354 × 289 × 152 mm (13,9 × 11,3 × 5,9 cala)	348 × 289 × 135 mm (13,7 × 11,3 × 5,3 cala)
	Masa netto*	10 kg (22 funty)	9,9 kg (21,8 funta)
	Typ Baterii	Akumulator LFP (LiFePO ₄)	
	Pojemność nominalna	20 Ah	
	Energia nominalna	1024 Wh	
	Napięcie nominalne	51,2 V =	
	Max. napięcie ładowania	57,6 V =	
	Stopień ochrony IP	IP56	
	System zarządzania akumulatorem	Zabezpieczenie przed zbyt wysoką temperaturą, zbyt wysokim natężeniem prądu, zbyt wysokim napięciem.	

* Może nieznacznie różnić się od rzeczywistej wartości ze względu na różne narzędzia i metody pomiarowe.

9 Rozwiązywanie problemów

Kod błędu	Możliwe przyczyny	Rozwiązanie
E01	Zabezpieczenie akumulatora przed zbyt wysoką temperaturą	Należy schłodzić akumulator
E02	Zabezpieczenie akumulatora przed niską temperaturą	Przywróć prawidłową temperaturę akumulatora.
E03	Zabezpieczenie akumulatora przed pod napięciem	Natychmiast rozpocznij ładowanie!
E04	Błąd komunikacji z akumulatorem 1	1. Wyłącz stację zasilania i sprawdź, czy akumulator jest prawidłowo podłączony. 2. Uruchom ponownie stację zasilania.
E05	Błąd komunikacji z akumulatorem 2	Uwaga: jeśli kod błędu nadal występuje po zastosowaniu powyższych metod, akumulator mógł ulec uszkodzeniu.
E06	Zabezpieczenie przed zbyt wysoką temperaturą podczas ładowania	1. Obniż temperaturę stacji zasilania. 2. Sprawdź wentylator i otwory wentylacyjne oraz zastosuj metodę rozpraszania ciepła dla stacji zasilania.
E07	Zabezpieczenie przed zbyt wysoką temperaturą podczas rozładowywania	1. Obniż temperaturę stacji zasilania. 2. Sprawdź wentylator i otwory wentylacyjne oraz zastosuj metodę rozpraszania ciepła dla stacji zasilania.
E08	Usterka układu ładowania słonecznego	1. Sprawdź typ panelu słonecznego (80 V/20 A). W przypadku zgodności obwód sprzętowy panelu słonecznego mógł ulec uszkodzeniu. Skontaktuj się z działem obsługi posprzedażnej w celu uzyskania pomocy. 2. Jeśli nie, odłącz panel słoneczny.
E09	Błąd wejścia AC	Usterka wejścia AC spowodowana niestabilną siecią zasilania. Odłącz przewód ładowania AC.
E10	Przeciążenie lub zwarcie w obwodzie wyjścia ładowania samochodu	Odłącz odbiorniki energii. Wyłącz wyjście DC po 5 sekundach i spróbuj ponownie później.
E11	Przeciążenie lub zwarcie w obwodzie wyjścia USB	Odłącz urządzenia USB.
E12	Zabezpieczenie przed przeciążeniem wyjścia AC	Odłącz odbiorniki energii. Wyłącz wyjście AC po 5 sekundach i spróbuj ponownie później.
E13	Zabezpieczenie przeciw zwarceniu w obwodzie wyjścia AC	Odłącz odbiorniki energii. Wyłącz wyjście AC po 5 sekundach i spróbuj ponownie później.
E14	Wadliwe działanie falownika	Odłącz urządzenia sieciowe. Wyłącz wyjście AC po 5 sekundach i spróbuj ponownie później.
E15	Awaria akumulatora	Wyłącz stację zasilania i uruchom ją ponownie.
E16	Wadliwe działanie przewodów wewnętrznych	Odłącz wszystkie urządzenia wejściowe/wyjściowe i uruchom ponownie stację zasilania.

* W przypadku kodu błędu od E09 do E16, jeśli kod błędu nadal występuje po zastosowaniu powyższych metod, należy skontaktować się z działem obsługi posprzedażnej w celu uzyskania pomocy.

10 Certyfikacja

Informacja dla użytkowników o usuwaniu zużytego sprzętu elektrycznego i elektronicznego



Ten symbol na produkcie lub na jego opakowaniu informuje, że zużytych produktów elektrycznych i elektronicznych nie należy mieszać z niesortowanymi odpadami komunalnymi. W celu prawidłowego przetworzenia obowiązkiem użytkownika jest pozbycie się zużytego sprzętu poprzez zorganizowanie oddania go do wyznaczonych punktów zbiórki.

Prawidłowa utylizacja tego produktu pomoże zaoszczędzić cenne zasoby i zapobiec potencjalnym negatywnym skutkom dla zdrowia ludzkiego i środowiska, które mogłyby powstać w wyniku niewłaściwego postępowania z odpadami.

Za nieprawidłowe usuwanie tych odpadów mogą obowiązywać kary zgodne z przepisami obowiązującymi w danym kraju.

Prosimy o kontakt z władzami lokalnymi w celu uzyskania szczegółów dotyczących najbliższego wyznaczonego punktu zbiórki.

Informacje dla użytkowników dotyczące recyklingu akumulatora



Ten symbol oznacza, że baterii ani akumulatorów, po zakończeniu ich eksploatacji, nie należy mieszać z niesegregowanymi odpadami komunalnymi. Państwa udział jest ważną częścią wysiłków zmierzających do zminimalizowania wpływu baterii i akumulatorów na środowisko i zdrowie ludzi. W celu prawidłowego recyklingu można zwrócić ten produkt lub zawarte w nim baterie albo akumulatory do dostawcy lub do wyznaczonego punktu zbiórki.

Prawidłowa utylizacja tego produktu pomoże zaoszczędzić cenne zasoby i zapobiec potencjalnym negatywnym skutkom dla zdrowia ludzkiego i środowiska, które mogłyby powstać w wyniku niewłaściwego postępowania z odpadami.

Za nieprawidłowe usuwanie tych odpadów mogą obowiązywać kary zgodne z przepisami obowiązującymi w danym kraju.

Istnieją systemy selektywnego zbierania zużytych baterii i akumulatorów.

Baterie i akumulatory należy oddać do utylizacji w lokalnym centrum zbiórki/recyklingu odpadów.

Dyrektywa w sprawie ograniczenia stosowania niektórych niebezpiecznych substancji (RoHS)

Ninebot New Energy Technology (Beijing) Co., Ltd. niniejszym oświadcza, że cały produkt, w tym jego części (kable, przewody itp.), spełnia wymagania dyrektywy RoHS 2011/65/UE i zmienionej dyrektywy delegowanej Komisji (UE).

Dyrektywa 2015/863 w sprawie ograniczenia stosowania niektórych niebezpiecznych substancji w sprzęcie elektrycznym i elektronicznym („przeredagowana dyrektywa RoHS” lub „RoHS 2.0”).

Przepisy dotyczące ograniczenia stosowania niektórych substancji niebezpiecznych w sprzęcie elektrycznym i elektronicznym z 2012 r.

Ninebot New Energy Technology (Beijing) Co., Ltd. niniejszym oświadcza, że cały produkt wraz z częściami (kable, przewody i tak dalej) spełnia wymagania przepisów dotyczących ograniczenia stosowania niektórych substancji niebezpiecznych w sprzęcie elektrycznym i elektronicznym z 2012 r. (The Restriction of the Use of Certain Hazardous Substances in Electrical and Electronic Equipment Regulations 2012).



Oświadczenie o zgodności z przepisami obowiązującymi w Wielkiej Brytanii

Przepisy dotyczące urządzeń radiowych z 2017 r.

Ninebot New Energy Technology (Beijing) Co., Ltd. niniejszym oświadcza, że produkt wymieniony w tej części jest zgodny z zasadniczymi wymaganiami i innymi odpowiednimi przepisami dotyczącymi urządzeń radiowych z 2017 r. (Radio Equipment Regulations 2017).

Przepisy dotyczące ograniczenia stosowania niektórych substancji niebezpiecznych w sprzęcie elektrycznym i elektronicznym z 2012 r.

Ninebot New Energy Technology (Beijing) Co., Ltd. niniejszym oświadcza, że cały produkt wraz z częściami (kable, przewody i tak dalej) spełnia wymagania przepisów dotyczących ograniczenia stosowania niektórych substancji niebezpiecznych w sprzęcie elektrycznym i elektronicznym z 2012 r. (The Restriction of the Use of Certain Hazardous Substances in Electrical and Electronic Equipment Regulations 2012).



Oświadczenie o zgodności z przepisami Unii Europejskiej

Ninebot New Energy Technology (Beijing) Co., Ltd. niniejszym oświadcza, że produkt wymieniony w tej części jest zgodny z zasadniczymi wymaganiami i innymi odpowiednimi przepisami dotyczącymi urządzeń radiowych 2014/53/EU (Radio Equipment Regulations 2014/53/EU).

Łącze Bluetooth	Pasma(-a) częstotliwości	2,4000-2,4835 GHz
	Maks. moc fal radiowych	20 mW

11 Znak towarowy i oświadczenie prawne

Segway, Rider Design są znakami towarowymi firmy Segway Inc.; Ninebot jest znakiem towarowym firmy Ninebot (Beijing) Tech Co., Ltd.; App Store* i logo Apple* są znakami towarowymi firmy Apple Inc.; znak słowny i logo Bluetooth* są znakami towarowymi należącymi do Bluetooth SIG, Inc. i każde użycie tych znaków przez Segway-Ninebot jest objęte licencją. Pozostałe znaki towarowe i nazwy handlowe należą do ich odpowiednich właścicieli.

Ze względu na ciągłe ulepszanie produktów, niniejszy podręcznik użytkownika i rzeczywiste produkty mogą nieznacznie różnić się kolorem, wyglądem itp. W przypadku rozbieżności między rzeczywistymi produktami a podręcznikiem użytkownika pierwszeństwo mają rzeczywiste produkty.

©2023 Ninebot (Beijing) Technology Co., Ltd. Wszelkie prawa zastrzeżone.

Oświadczenie prawne

1. Przed użyciem przenośnej stacji zasilania Segway („Produkt”) należy uważnie przeczytać i zrozumieć podręcznik użytkownika, aby zagwarantować prawidłowe użytkowanie Produktu. Po przeczytaniu należy zachować podręcznik użytkownika do wykorzystania w przyszłości. Nieprawidłowa obsługa tego produktu może skutkować poważnymi obrażeniami ciała u użytkownika lub innych osób, a także uszkodzeniem produktu i utratą mienia.
2. Używanie Produktu jest równoznaczne z pełnym zrozumieniem, przyjęciem do wiadomości i zaakceptowaniem wszystkich warunków oraz treści niniejszego dokumentu. Użytkownik ponosi odpowiedzialność za swoje działania i wszelkie konsekwencje wynikające z użytkowania Produktu. Segway nie ponosi odpowiedzialności za jakiegokolwiek roszczenia, zobowiązania ani straty związane z takimi konsekwencjami, jeśli wynikają one z faktu przejścia ryzyka przez użytkownika.
3. Nie należy pozwalać na użytkowanie Produktu osobom, które nie zapoznały się dokładnie z niniejszym podręcznikiem użytkownika lub nie są zaznajomione z jego prawidłowym użytkowaniem ani środkami ostrożności.
4. Po otrzymaniu Produktu należy niezwłocznie sprawdzić, czy Produkt i jego akcesoria są nienaruszone i kompletne. Wszystkie akcesoria muszą być używane zgodnie z ich instrukcją obsługi.
5. Ostrzeżenie: Ograniczona gwarancja nie obejmuje pogorszenia wydajności akumulatora ani niemożności jego prawidłowego działania spowodowanych niewłaściwym użytkowaniem i konserwacją akumulatora przez użytkownika.
6. W zakresie dozwolonym przez prawo, Segway zastrzega sobie prawo do ostatecznej interpretacji i wyjaśnienia niniejszego oświadczenia.

Niniejsze Oświadczenie prawne podlega prawu kraju, w którym jest zainstalowany Produkt użytkownika, z wyjątkiem przypadków, w których jest ono niezgodne z prawem innych jurysdykcji. Segway nie ponosi odpowiedzialności za jakiegokolwiek roszczenia, zobowiązania lub straty wynikające z naruszenia przez konsumenta powyższego oświadczenia.

Użytkownik może zaakceptować powyższe warunki i odpowiednio korzystać z produktu lub przeprowadzić proces zwrotu zgodnie z Ograniczoną gwarancją. Zwracając Produkt, należy upewnić się, że Produkt i opakowanie są nienaruszone, aby można było odsprzedać Produkt.

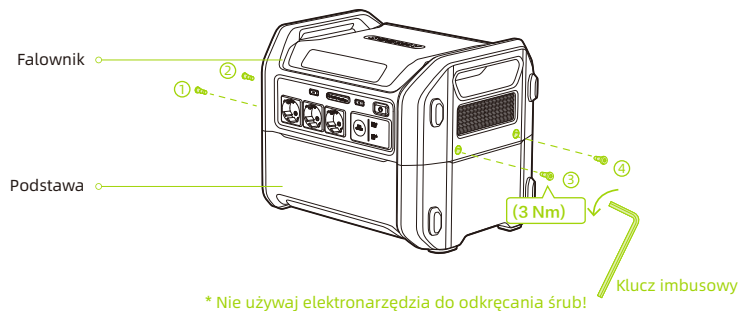
W przypadku zamiaru odsprzedaży lub podarowania Produktu należy pamiętać o dołączeniu niniejszego oświadczenia prawnego, ponieważ stanowi ono integralną część Produktu.

Jeśli masz jakiegokolwiek pytania lub potrzebujesz pomocy, Segway jest do Twojej dyspozycji.

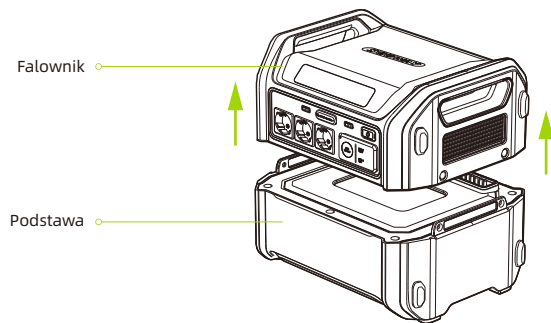
Jeszcze raz dziękujemy za wybór naszego Produktu i okazane zaufanie.

Załącznik: Rozszerzenie pojemności akumulatora

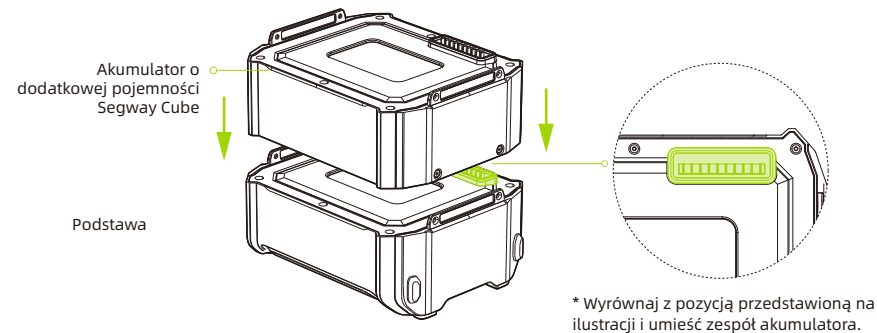
- 1 Poluzuj cztery śruby za pomocą klucza imbusowego 3 mm.



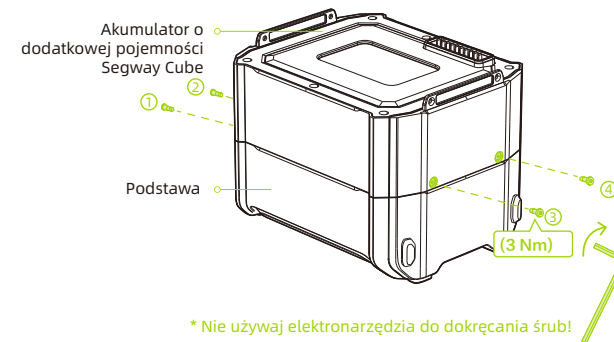
- 2 Oddziel falownik od podstawy.



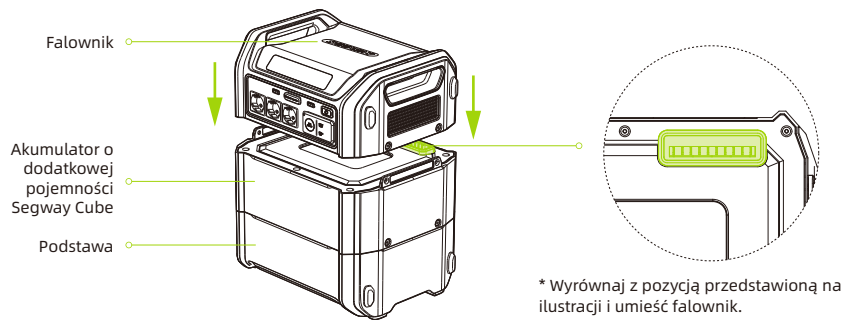
- 3 Umieść zespół akumulatora na podstawie.



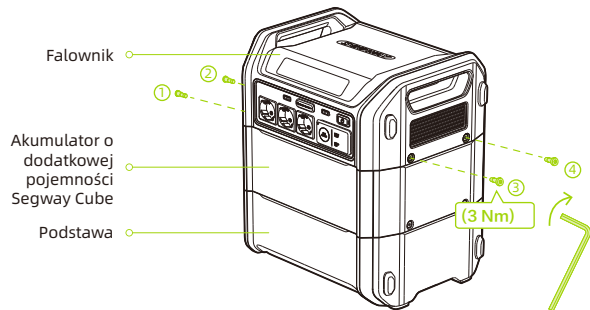
- 4 Dokręć cztery śruby.



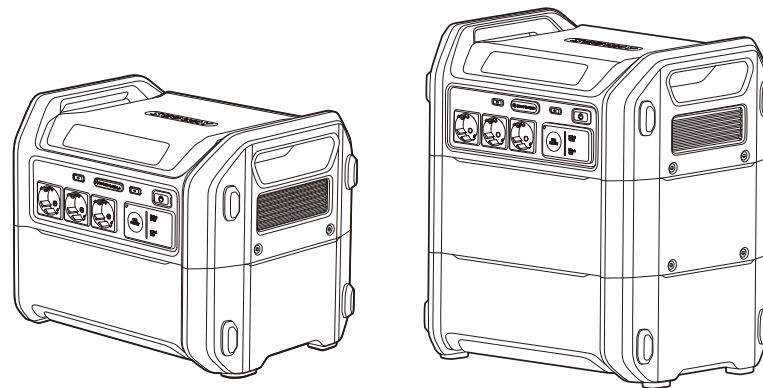
5 Umieść falownik na zespole akumulatora.



6 Dokręć cztery śruby.



* Nie używaj elektronarzędzia do dokręcania śrub!



SEGWAY

Draagbare energiecentrale Segway

CUBE-1000 / CUBE-2000

Gebruikershandleiding

Inhoud

1. Veiligheidsinstructies	01
2. Paklijst	04
3. Productoverzicht	05
4. Hoe het energiestation te gebruiken	09
5. Hoe het energiestation op te laden	12
6. Instellingen	15
7. Gebruikershandleiding voor de app	17
8. Specificaties	19
9. Probleemoplossing	20
10. Certificering	21
11. Handelsmerk en wettelijke verklaring	22
Bijlage: Accu-uitbreiding	24

1 Veiligheidsinstructies

BELANGRIJKE VEILIGHEIDSIINSTRUCTIES

- **WAARSCHUWING** — Bij het gebruik van dit product moeten altijd de basisvoorzorgsmaatregelen worden gevolgd, waaronder de volgende:
 - Lees alle instructies voordat u het product gebruikt.
 - Om het risico op letsel te verminderen, is nauwlettend toezicht noodzakelijk wanneer het product in de buurt van kinderen wordt gebruikt.
 - Steek geen vingers of handen in het product.
 - Het gebruik van een hulpstuk dat niet wordt aanbevolen of verkocht door de fabrikant van de powerpack kan leiden tot brand, elektrische schokken of persoonlijk letsel.
 - Om het risico op beschadiging van de stekker en het snoer te beperken, mag u bij het loskoppelen van de powerpack niet aan de stekker en het snoer trekken.
 - Gebruik geen accu of apparaat dat beschadigd of aangepast is. Beschadigde of gewijzigde accu's kunnen onvoorspelbaar gedrag vertonen, wat kan leiden tot brand, explosie of risico op letsel.
 - Gebruik het powerpack niet met een beschadigd snoer of stekker of met een beschadigde uitgangskabel.
 - Demonteer het powerpack niet, maar breng het naar gekwalificeerd onderhoudspersoneel wanneer onderhoud of reparatie nodig is. Onjuiste hermontage kan leiden tot brand of elektrische schokken.
 - Om het risico op elektrische schokken te beperken, moet u de stekker van de powerpack uit het stopcontact halen voordat u een onderhoudsbeurt uitvoert.
 - Werk tijdens het opladen van de interne accu in een goed geventileerde ruimte en hinder de ventilatie op geen enkele manier.
 - Bij misbruik kan er vloeistof uit de accu komen; vermijd contact. Als er per ongeluk contact gemaakt wordt, spoel dan met water. Als vloeistof in contact komt met de ogen, zoek dan medische hulp. Vloeistof die uit de accu komt, kan irritatie of brandwonden veroorzaken.
 - Stel een powerpack niet bloot aan vuur of extreme temperaturen. Blootstelling aan vuur of temperaturen boven 130° C (265° F) kan een explosie veroorzaken.
 - Laat onderhoud uitvoeren door een gekwalificeerde reparateur met uitsluitend identieke vervangonderdelen. Dit zorgt ervoor dat de veiligheid van het product wordt behouden.
 - Stel het product niet bloot aan ontstekingsbronnen of hoge temperaturen, zoals voertuigen met een hoge temperatuur of direct zonlicht.
 - Houd het product droog en dompel het niet onder in water en stel het niet bloot aan vocht. Gebruik het product niet in regenachtige of vochtige omgevingen.
 - Vermijd het gebruik van het product in een omgeving met een sterk statisch/magnetisch veld.
 - Volg bij gebruik van het product de omgevings temperatuur zoals aangegeven in de gebruikershandleiding. Als de temperatuur te hoog is, kan dit brand of een explosie veroorzaken; als de temperatuur te laag is, kan dit de prestaties van het product ernstig verminderen of kan het product niet meer werken.

- Als u het product lange tijd bewaart, plaats het dan op een droge en geventileerde plaats.
- Voorkom obstructie van de ventilator en plaats het product niet in een niet geventileerde of stoffige ruimte.
- Demonteer het product niet en doorboor het product niet met scherpe voorwerpen.
- Voorkom stoten, vallen of hevige trillingen. Als er een ernstige impact optreedt, schakel dan de stroom uit en stop onmiddellijk met het gebruik van het product.
- Vermijd het gebruik van kabels of andere metalen voorwerpen die kortsluiting kunnen veroorzaken.
- Gebruik geen beschadigde snoeren, stekkers of uitgangskabels om dit product aan te sluiten om elektrische schokken te voorkomen.
- Gebruik geen onofficiële onderdelen of accessoires. Als u een onderdeel of accessoire moet vervangen, raadpleeg dan het officiële Segway-kanaal.
- Stapel geen zware voorwerpen op het product.
- Plaats het product niet op een onstabiel oppervlak om te voorkomen dat het product kantelt of omvalt.
- Zorg ervoor dat het product buiten het bereik van kinderen en huisdieren wordt gehouden.
- Dit product wordt niet aanbevolen voor het voeden van medische noodapparatuur met betrekking tot persoonlijke veiligheid, waaronder ventilatoren van medische kwaliteit en kunstlongen. Als u dit product van stroom moet voorzien, volg dan de instructies van uw arts en raadpleeg de fabrikant. Indien gebruikt voor algemene medische apparatuur, zorg er dan voor dat de voeding in goede staat is.
- Bij gebruik van dit product genereert de voeding elektromagnetische velden die de goede werking van medische implantaten of persoonlijke medische hulpmiddelen zoals pacemakers, cochleaire implantaten, gehoorapparaten, defibrillatoren, enz. kunnen belemmeren. Als deze apparaten worden gebruikt, neem dan contact op met de fabrikant voor beperkingen op het gebruik van deze apparaten om ervoor te zorgen dat medische implantaten tijdens gebruik op veilige afstand van dit product worden gehouden.
- Risico op elektrische schokken. Gebruik nooit een powerpack om elektrisch gereedschap te voeden voor het doorsnijden van of toegang verstreken tot spanningvoerende onderdelen of bedrading, of materiaal dat onder spanning staande onderdelen of bedrading binnenin kan bevatten, zoals muren van gebouwen, enz.

BEWAAR DEZE INSTRUCTIES

AARDINGSINSTRUCTIES

Dit product moet geaard zijn. Als er een storing of defect optreedt, zorgt aarding voor een pad met de minste weerstand voor elektrische stroom om het risico op elektrische schokken te verminderen. Dit product is uitgerust met een snoer met een aardingsgeleider voor apparatuur en een aardingsstekker. De stekker moet worden aangesloten op een stopcontact dat correct is geïnstalleerd en geaard in overeenstemming met alle plaatselijke voorschriften.

WAARSCHUWING — Een onjuiste aansluiting van de aardingsgeleider van de apparatuur kan leiden tot een risico op elektrische schokken. Neem contact op met een gekwalificeerde elektricien als u twijfelt of het product goed geaard is. Wijzig de stekker die bij het product is geleverd niet — als deze niet in het stopcontact past, laat dan een geschikt stopcontact installeren door een gekwalificeerde elektricien.

Dagelijks onderhoud

Als het product langer dan 30 dagen niet wordt gebruikt, laad het dan volledig op en bewaar het op een koele en droge plaats. Als de accu niet binnen 6 maanden maximaal wordt opgeladen, is de kans groot dat deze beschadigd raakt.

Richtlijnen voor het weggooien van accu's

- Zorg er bij het weggooien van de accu voor dat deze volledig leeg is en plaats deze in de daarvoor bestemde recyclingcontainer voor accu's.
- De accu van dit product bevat chemische stoffen en het is ten strengste verboden om bij het gewone afval weg te gooien. Volg de lokale wet- en regelgeving voor het recyclen en weggooien van accu's.
- Als de accu niet volledig kan worden ontladen vanwege een defect aan het product, gooi de accu dan niet rechtstreeks in de recyclingcontainer voor accu's. Neem contact op met een professioneel recyclingbedrijf voor accu's voor verdere verwijdering.

Veiligheidsvoorzorgen tijdens het opladen

- Als u twee of meer zonnepanelen gebruikt om het product op te laden, gebruik dan hetzelfde type zonnepaneel. Het product kan worden aangesloten op één, twee of vier zonnepanelen. Als u vier zonnepanelen gebruikt om het product op te laden, zorg er dan voor dat de verbinding tussen de zonnepanelen twee in serie en twee parallel is.
- Laad het product niet tegelijkertijd op met autolaadkabels en zonnepanelen, omdat dit de zekering kan beschadigen.
- Het wordt aanbevolen om Segway Accessoires - Segway zonnepaneel SP te gebruiken voor het opladen op zonne-energie. Het gebruik van zonnepanelen van andere merken kan schade veroorzaken waarvoor wij niet verantwoordelijk zijn.

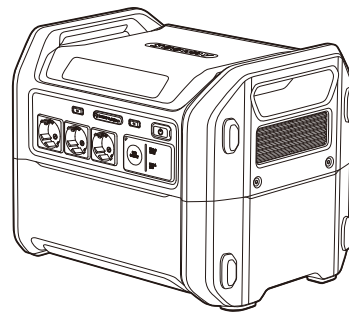
Waarschuwing voor hoge temperatuur

De producttemperatuur kan te hoog zijn om elektrische apparaten met een hoog vermogen gedurende lange tijd van stroom te voorzien en de bescherming tegen hoge temperatuur kan worden geactiveerd. Voor de veiligheid van de accu zal het product automatisch het uitgangsvermogen beperken om de temperatuur te verlagen. Als de limiet is bereikt, wordt de uitgang onderbroken en is de oplaadfunctie niet beschikbaar. Stop onmiddellijk met het gebruik van de hoge stroombelasting als deze waarschuwing verschijnt, laat het product afkoelen en probeer het opnieuw te gebruiken.

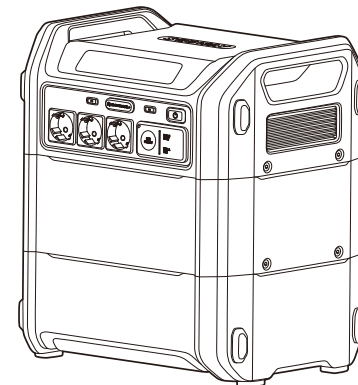
We nemen uw veiligheid en de bescherming van onze producten zeer serieus. Als u vragen of suggesties hebt, neem dan contact op met de klantendienst van Segway.

2 Paklijst

Draagbare energiecentrale Segway:

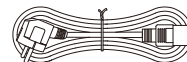


CUBE-1000 x 1



CUBE-2000 x 1

Accessoires:



AC-oplaadkabel x 1



Oplaadkabel voor in de auto x 1



3 mm
Inbussleutel x 1

* Alleen voor CUBE-2000

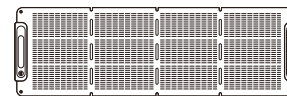


Gebruikershan-
dleiding x 1

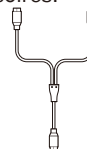


Garantiebeleid x 1

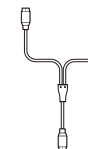
Afzonderlijk verkrijgbare accessoires:



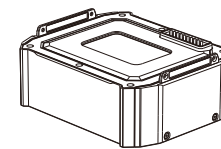
Segway zonnepaneel SP



Seriële aansluiting



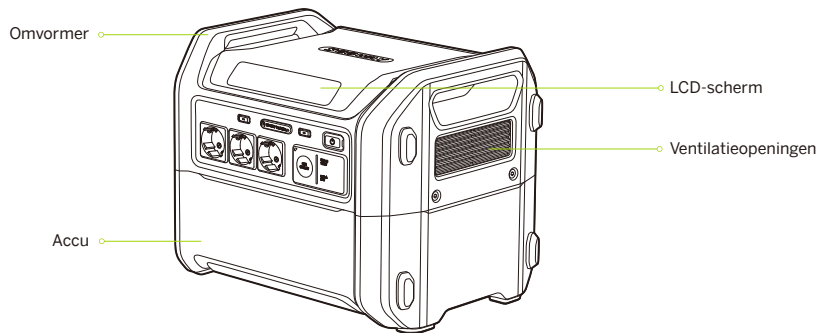
Parallele aansluiting



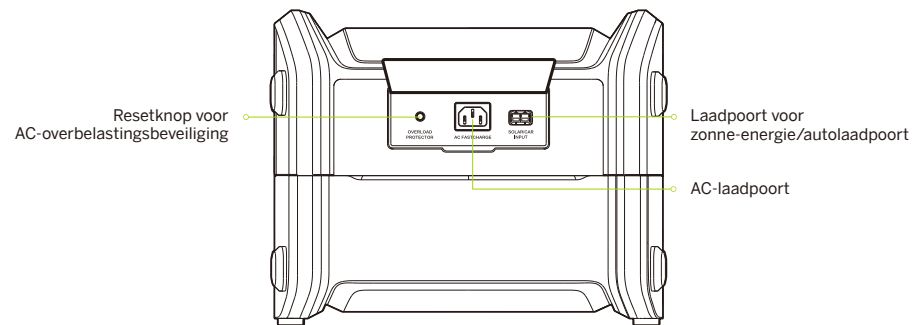
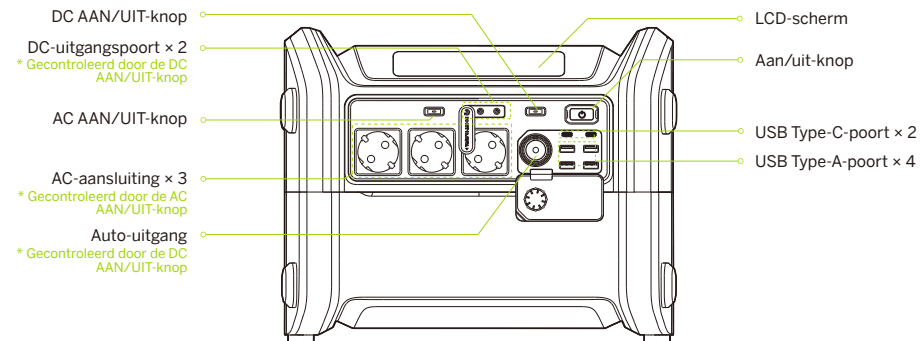
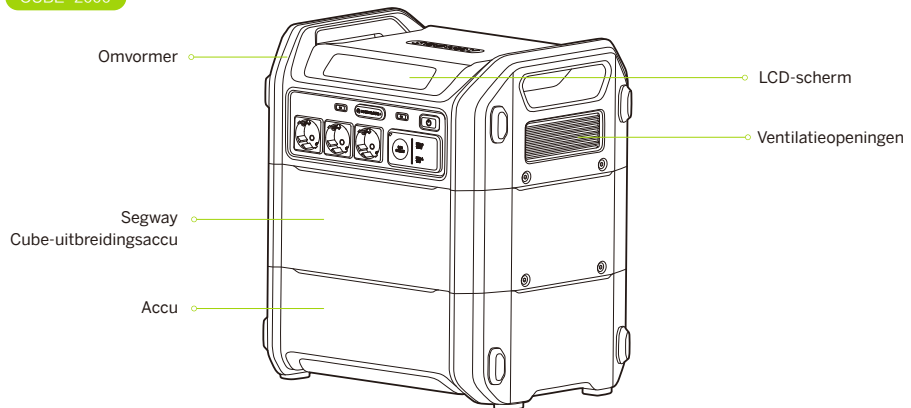
Segway Cube-uitbreidingsaccu

3 Productoverzicht

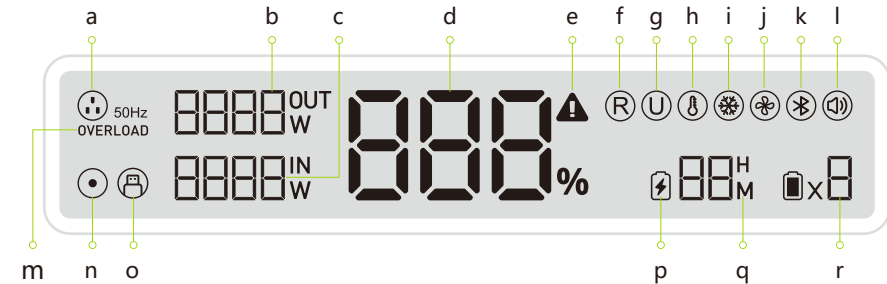
CUBE-1000



CUBE-2000



Overzicht van het scherm



a 50Hz
AC-uitgang

Het stekkerpictogram wordt weergegeven als AC-uitgang, de uitgangsfrequentie is 50 Hz.

b
Uitgangsvermogen

c
Ingangsvermogen

d
Accuvermogen

e
Waarschuwing

Wanneer het pictogram oplicht, betekent dit dat de beveiliging tegen hoge temperatuur, lage temperatuur of AC-overbelasting is geactiveerd.

f
R-Drive

Pas op intelligente wijze het bedrijfsvermogen van elektrische apparaten aan en zorg ervoor dat ze werken op het nominaal vermogen van de omvormer. Ondersteunt belastingen tot 4400 W.

g
UPS (Uninterruptible Power Supply)

Schakel automatisch over op omvormervoeding als de AC-ingang werd onderbroken door een storing in het elektriciteitsnet en zorg ervoor dat elektrische apparaten normaal werken.

h
Beveiliging tegen hoge temperatuur

Het gedeeltelijke ingangs-/uitgangsvermogen wordt automatisch verlaagd als de temperatuur van het apparaat te hoog is.

i
Beveiliging tegen lage temperatuur

Het gedeeltelijke ingangs-/uitgangsvermogen wordt automatisch verlaagd als de temperatuur van het apparaat te laag is.

j
Koelventilator

Het pictogram geeft aan dat de ventilator werkt.

k
Bluetooth

Het pictogram knippert tijdens het koppelen en blijft branden wanneer het apparaat is aangesloten.

l
Toetstoon

m
OVERLOAD

AC-uitgang overbelasting

n
DC-uitgang/auto-uitgang

o
USB-uitgang

p
Bezig met opladen

q
Resterende ontlad-/oplادتijd

r
Hoeveelheid accu's

CUBE-1000

1

CUBE-2000

2

4 Hoe het energiestation te gebruiken

* Geïllustreerd met CUBE-1000

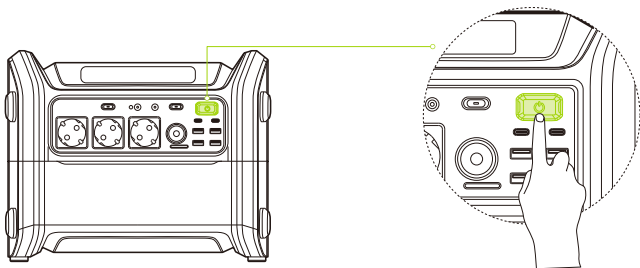
1 In-/uitschakelen

Houd de aan/uit-knop langer dan 1 seconde ingedrukt om hem aan/uit te zetten.

Druk op de aan/uit-knop om het scherm te activeren of te dimmen wanneer het energiestation ingeschakeld is.

Ingeschakeld: Het energiestation piept eenmaal en het indicatielampje op de knop gaat wit branden.

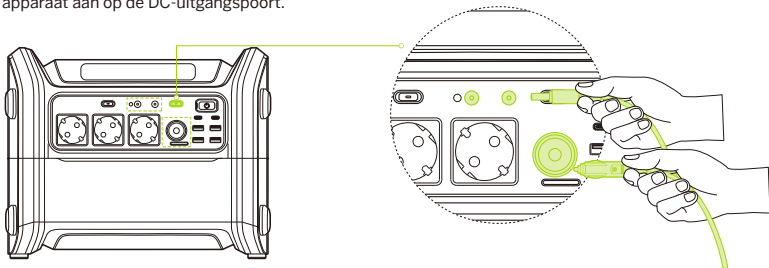
Uitgeschakeld: Het energiestation piept eenmaal en het indicatielampje op de knop gaat uit.



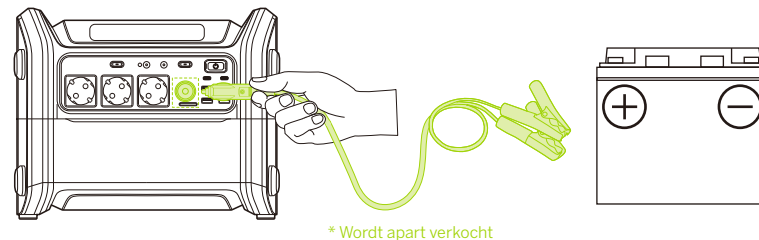
2 DC-uitgang

* DC-uitgangspoort × 2/Auto-uitgang × 1

a) Druk, wanneer het energiestation is ingeschakeld, op de DC AAN/UIT-knop om de DC-uitgang in te schakelen en sluit het apparaat aan op de DC-uitgangspoort.



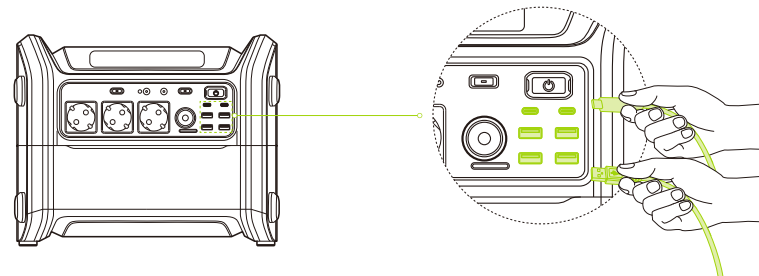
b) Druk op de DC AAN/UIT-knop om het stopcontact in de auto in te schakelen. Het stopcontact in de auto ondersteunt een constante stroomuitgang en kan de specifieke kabel gebruiken om de accu van de auto op te laden. (alleen om op te laden, kan niet worden gebruikt om het voertuig op te starten.)



* Wordt apart verkocht

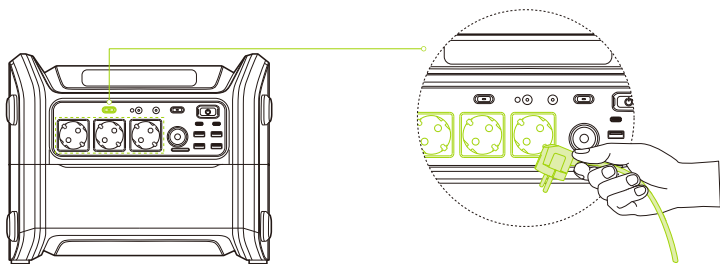
3 USB-uitgang

Sluit het apparaat aan op de USB-uitgang.



4 AC-uitgang

Wanneer het energiestation is ingeschakeld, drukt u op de AC AAN/UIT-knop om de AC-uitgang in te schakelen en sluit het apparaat aan op het stopcontact.

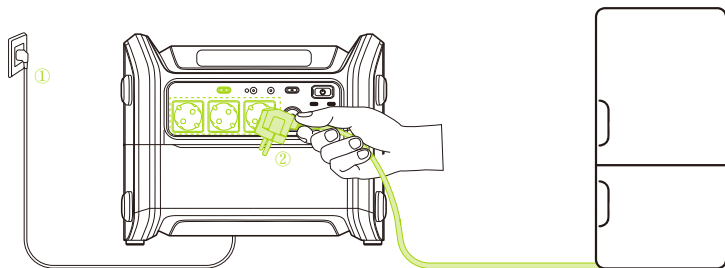


5 UPS-functie

Wanneer de UPS-functie is ingeschakeld:

- ① Steek de AC-oplaadkabel in het stopcontact en sluit het andere uiteinde aan op de AC-laadpoort van het station.
- ② Druk op de AC AAN/UIT-knop om de AC-uitgang in te schakelen en sluit het AC-apparaat aan op het stopcontact

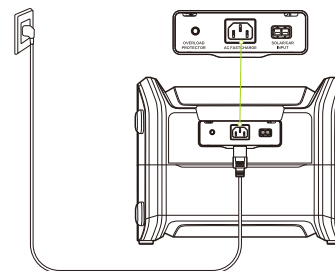
* Op dit moment is de UPS-functie geactiveerd en schakelt het energiestation automatisch over op omvormervervoeding wanneer het elektriciteitsnet uitvalt.



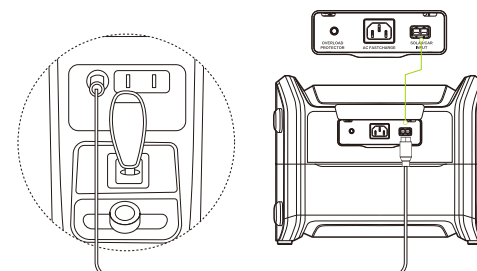
5 Hoe het energiestation op te laden

Het energiestation heeft twee laadpoorten, een AC-laadpoort en een laadpoort voor zonne-energie/auto's. Tijdens het opladen van het energiestation wordt de laadstatus op het scherm weergegeven. Er zijn vijf oplaadmethode, zoals hieronder, dubbel opladen is ook beschikbaar.

- ① AC opladen
- ② Auto opladen
- ③ Opladen op zonne-energie
- ④ Opladen met wisselstroom en zonne-energie
- ⑤ AC en auto opladen



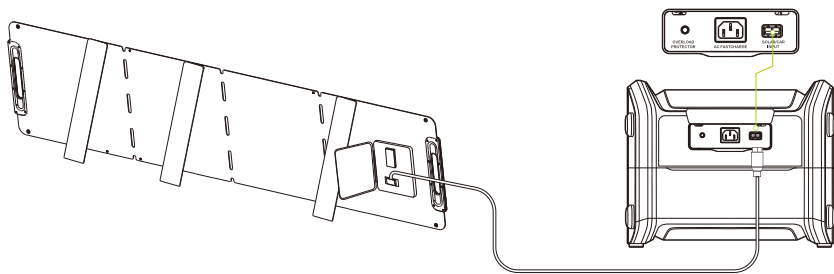
AC opladen



Auto opladen

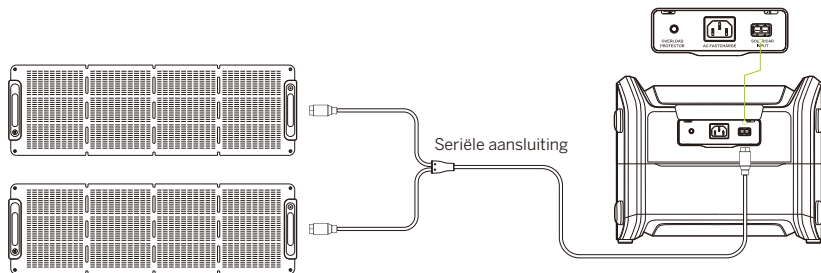
Opladen op zonne-energie

a. Enkelvoudig zonnepaneel



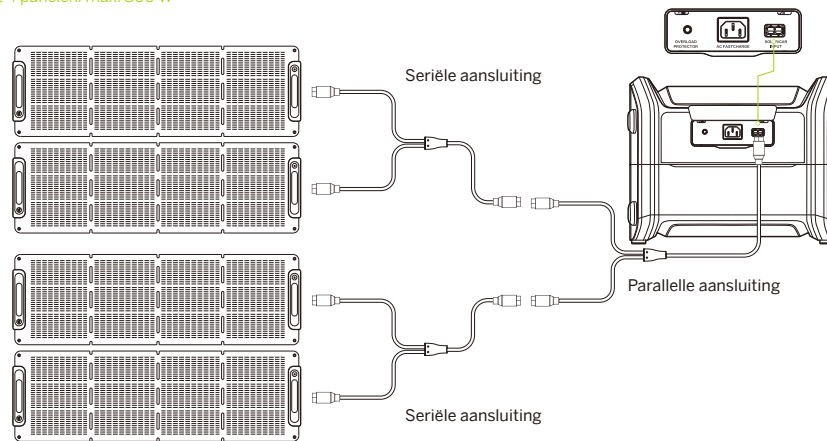
b. Meerdere zonnepanelen

2 panelen



4 panelen

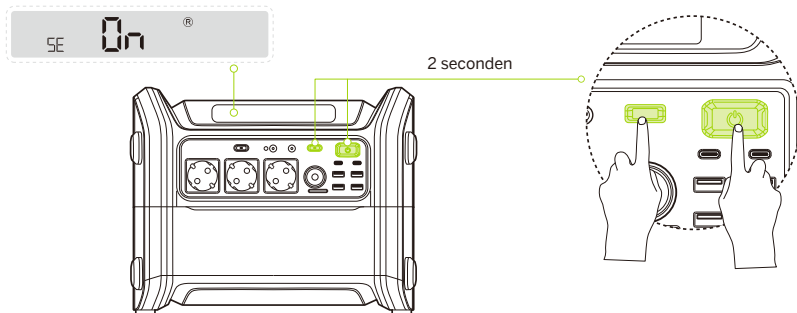
* Tot 4 panelen/max. 800 W



6 Instellingen

Houd, wanneer het energiestation is uitgeschakeld, de DC AAN/UIT-knop en de aan/uit-knop tegelijkertijd 2 seconden ingedrukt om naar de instellingen te gaan.

Opmerking: Opladen en ontladen zijn niet beschikbaar tijdens de instelling.



Basisfuncties van knoppen

Aan/uit-knop: Druk hierop om de instellingen op te slaan en af te sluiten.

AC AAN/UIT-knop: Ga naar de volgende instelling.

DC AAN/UIT-knop: Schakel tussen de opties van de huidige instelling.

Instellingen

Opmerking: Het wordt aanbevolen om deze instellingen rechtstreeks via de Segway-Ninebot-app aan te passen.

Pictogram	Instelling	Scherm	Opties
Ⓜ	R-Drive ^(*)	 	<p>De standaardinstelling is ingeschakeld. De functie kan in/uit worden geschakeld.</p> <p>* Deze functie is alleen van toepassing op resistieve apparaten. Schakel deze functie onmiddellijk uit als de apparaten niet normaal kunnen werken.</p>

Pictogram	Instelling	Scherm	Opties
Ⓧ	UPS (niet onderbrekbare voeding) ^(*)	 	De standaardinstelling is ingeschakeld. De functie kan in/uit worden geschakeld.
Ⓜ	Ventilatormodus	 	Er zijn twee modi beschikbaar. Actieve koelmodus: De ventilator werkt automatisch en houdt het energiestation op een relatief lage temperatuur. Stille modus: De ventilator werkt automatisch en draait op een relatief lage snelheid en frequentie.
Ⓧ	Toetstoon	 	De standaardinstelling is ingeschakeld. De toetstoon kan in/uit worden geschakeld

Functies

1 R-Drive

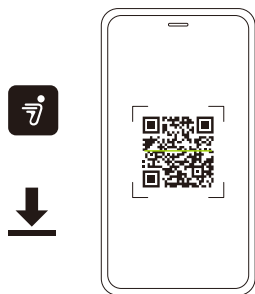
Deze functie is niet van toepassing op alle elektrische apparaten, maar alleen voor resistieve apparaten, zoals haardrogers en waterkokers. Test voor gebruik de compatibiliteit. Krachtige apparaten zoals airconditioners, koffiezetapparaten, drogers, elektrische fornuizen, grote koelkasten, magnetrons, grasmaaiers, ovens en wasmachines zijn niet compatibel.

2 UPS (Uninterruptible Power Supply)

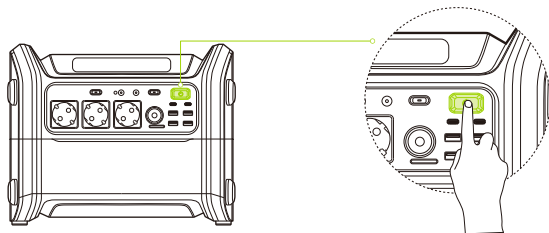
Wanneer u het energiestation aansluit op de AC-voedingsbron en de apparaten vervolgens aansluit op het stopcontact van het energiestation, krijgen de apparaten stroom van de AC-voedingsbron, niet van het energiestation. Als de AC-voedingsbron uitvalt, schakelt het energiestation binnen 20-30 ms automatisch over op omvormvoeding voor de apparaten.
De UPS-functie is van het offline-type en ondersteunt geen Oms-switch. Gebruik de energiecentrale niet om apparaten op te laden die een continue voeding nodig hebben. Test voor gebruik de compatibiliteit.

7 Gebruikershandleiding voor de app

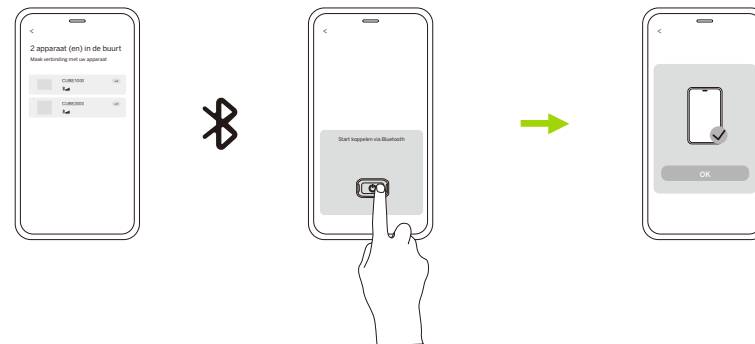
- 1 Scan de QR-code om de Segway-Ninebot-app te downloaden om u te registreren of om u aan te melden.



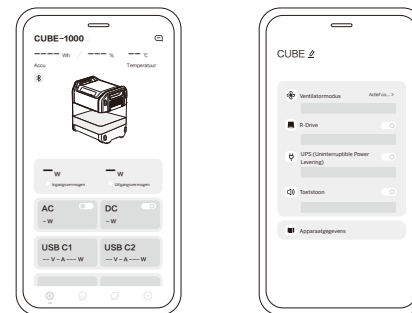
- 2 Houd de aan/uit-knop ingedrukt om het energiestation in te schakelen.



- 3 Tik op 'Apparaat toevoegen' en volg de instructies om via Bluetooth verbinding te maken met het energiestation.



- 4 Pas de instellingen rechtstreeks via de app aan. Controleer de realtime informatie over het resterend accuniveau, temperatuur, ingangs-/uitgangsvermogen van elke ingangs-/uitgangspoort, enz.



8 Specificaties

Energie station	Naam product	Draagbare energiecentrale Segway Cube	
	Model	CUBE-1000	CUBE-2000
	L × B × H*	354 × 289 × 284 mm (13,9 × 11,3 × 11,1 inch)	354 × 289 × 399 mm (13,9 × 11,3 × 15,7 inch)
	Nettogewicht*	16,2 kg (35,7 lbs)	26,1 kg (57,5 lbs)
	Model van de omvormer	CUBE-IV-2200	
	Inbegrepen accu-model	CUBE-BT-1000	CUBE-BT-1000, CUBE-BTX-1000
	IP-klasse	50 Hz	
	Max. uitgangsvermogen in totaal	2200 W	2584 W
	Max. AC-uitgangsvermogen	2200 W	
	Max. DC-uitgangsvermogen	384 W	
	AC-ingang	230 V ~ 50 Hz maximaal 1250 W.	
	Auto-ingang	12 V/24 V == 200 W Max	
	Zonnepaneel-ingang	12-60 V == 800 W Max	
	AC-uitgang (× 3)	230 V~, 9,56 A, 50 Hz, 2200 W Max (omvormermodus, zuivere sinusgolf) / 230 V ~, 50 Hz, 5,2 A Max (by-passmodus)	
	Auto-uitgang	13,6 V == 10 A/136 W maximaal	
	DC5525-uitgang (× 2)	13,6 V == 5 A maximaal 68 W	
	USB Type-A-uitgang (× 4)	5/9/12 V == max 3 A 18 W	
USB Type-C-uitgang (× 2)	5/9/12/15/20 V == 5 A 100 W Max		
Ontlaadtemperatuur	-10 °C ~ -45 °C (14 °F ~ -113 °F)		
Laadtemperatuur	5 °C ~ 45 °C (41 °F ~ 113 °F)		
Accu Pack	Model	CUBE-BT-1000	CUBE-BTX-1000
	L × B × H*	354 × 289 × 152 mm (13,9 × 11,3 × 5,9 inch)	348 × 289 × 135 mm (13,7 × 11,3 × 5,3 inch)
	Nettogewicht*	10 kg (22 lbs)	9,9 kg (21,8 lbs)
	Type batterij	LFP (LiFePO ₄) accu	
	Nominale capaciteit	20 Ah	
	Nominale energie	1024 Wh	
	Nominale spanning	51,2 V ==	
	Max. laadspanning	57,6 V ==	
	IP-klasse	IP56	
	Accubeheersysteem	Beveiliging tegen te hoge temperatuur, te hoge stroom, te hoge spanning.	

* Deze kan enigszins afwijken van de werkelijke waarde vanwege verschillende meetinstrumenten en -methoden.

9 Probleemoplossing

Foutcode	Mogelijke oorzaken	Oplossing
E01	Beveiliging tegen te hoge temperatuur van de accu	Laat de accu afkoelen
E02	Beveiliging tegen te lage temperatuur accu	Zorg ervoor dat de accu opnieuw op de normale temperatuur is.
E03	Beveiliging tegen te lage spanning van de accu	Laad onmiddellijk op!
E04	Communicatiefout accu 1	1. Schakel het energiestation uit en controleer of de accu goed is aangesloten. 2. Start het energiestation opnieuw op.
E05	Communicatiefout accu 2	Opmerking: als de foutcode nog steeds bestaat nadat u de bovenstaande methoden hebt gebruikt, is de accu mogelijk beschadigd.
E06	Beveiliging tegen te hoge temperatuur tijdens het opladen	1. Laat het energiestation afkoelen.
E07	Beveiliging tegen te hoge temperatuur tijdens ontladen	2. Controleer de ventilator en de koelopeningen en zorg voor warmteafvoer voor het energiestation.
E08	Afwijking bij opladen op zonne-energie	1. Controleer het type zonnepaneel (80 V/20 A). Indien overeenstemmend, is het hardwarecircuit van het zonnepaneel mogelijk beschadigd. Neem contact op met de dienst na verkoop voor ondersteuning. 2. Zo niet, koppel dan het zonnepaneel los.
E09	AC-ingangsfout	Afwijking van de AC-ingang veroorzaakt door een instabiel elektriciteitsnet. Koppel de AC-oplaadkabel los.
E10	Overbelasting of kortsluiting van de auto-uitgang	Koppel de belastingen los. Schakel de DC-uitgang na 5 seconden uit en probeer het later opnieuw.
E11	Overbelasting of kortsluiting van de USB-uitgang	Koppel de USB-apparaten los.
E12	Beveiliging tegen overbelasting van de AC-uitgang	Koppel de belastingen los. Schakel de AC-uitgang na 5 seconden uit en probeer het later opnieuw.
E13	Kortsluitbeveiliging van de AC-uitgang	
E14	Storing in de omvormer	Koppel de AC-apparaten los. Schakel de AC-uitgang na 5 seconden uit en probeer het later opnieuw.
E15	Storing in de accu	Laat het energiestation stilstaan en start deze opnieuw op.
E16	Storing in de interne bedrading	Koppel alle ingangs-/uitgangsupparaten los en start het energiestation opnieuw op.

* Voor de foutcode van E09 tot E16: als de foutcode nog steeds bestaat nadat de bovenstaande methoden zijn gebruikt, neem dan contact op met de dienst na verkoop voor ondersteuning.

10 Certificering

Informatie over de verwijdering van afgedankte elektrische en elektronische apparatuur voor gebruikers



Dit symbool op het product of op de verpakking geeft aan dat gebruikte elektrische en elektronische producten niet samen met ongesorteerd huishoudelijk afval mogen worden weggegooid. Voor een juiste verwerking is het uw verantwoordelijkheid om uw afgedankte apparatuur te verwijderen door deze in te leveren bij aangewezen inzamelpunten.

Door dit product op de juiste wijze te verwijderen, spaart u waardevolle hulpbronnen en voorkomt u mogelijke negatieve gevolgen voor de volksgezondheid en het milieu, die zich zouden kunnen voordoen in geval van onjuiste afvalverwerking.

Bij onjuiste verwijdering van dit afval kunnen sancties volgen, in overeenstemming met uw nationale wetgeving.

Neem contact op met uw gemeente voor meer informatie over het dichtstbijzijnde inzamelpunt.

Informatie over accurecycling voor gebruikers



Dit symbool geeft aan dat accu's en accumulatoren aan het einde van hun levensduur niet samen met ongesorteerd huishoudelijk afval mogen worden weggegooid. Uw medewerking hieraan is een belangrijk onderdeel van de inspanningen om de invloed van accu's en accumulatoren op het milieu en de volksgezondheid tot een minimum te beperken. Voor correcte recycling kunt u dit product of de accu's of accumulatoren die het bevat gratis inleveren bij uw leverancier of bij een aangewezen inzamelpunt.

Door dit product op de juiste wijze te verwijderen, spaart u waardevolle hulpbronnen en voorkomt u mogelijke negatieve gevolgen voor de volksgezondheid en het milieu, die zich zouden kunnen voordoen in geval van onjuiste afvalverwerking.

Bij onjuiste verwijdering van dit afval kunnen sancties volgen, in overeenstemming met uw nationale wetgeving.

er zijn afzonderlijke inzamelingsystemen voor gebruikte accu's en accumulatoren.

Gooi accu's en accumulatoren op de juiste manier weg door ze in te leveren bij uw plaatselijk afvalinzamelings-/recycling centrum.

Richtlijn inzake de beperking van het gebruik van bepaalde gevaarlijke stoffen (RoHS)

Ninebot New Energy Technology (Beijing) Co., Ltd. verklaart hierbij dat het hele product, inclusief onderdelen (kabels, snoeren, enzovoort) voldoet aan de vereisten van RoHS-richtlijn 2011/65/EU en wijziging van de door de commissie opgelegde richtlijn (EU)

2015/863 over de beperking van het gebruik van bepaalde gevaarlijke stoffen in elektrische en elektronische apparatuur ("RoHS recast" of "RoHS 2.0").

Regelgeving inzake de beperking van het gebruik van bepaalde gevaarlijke stoffen in elektrische en elektronische apparatuur 2012

Ninebot New Energy Technology (Beijing) Co., Ltd. verklaart hierbij dat het volledige product inclusief onderdelen (kabels, snoeren, enzovoort) voldoet aan de vereisten van de regelgeving inzake de beperking van het gebruik van bepaalde gevaarlijke stoffen in elektrische en elektronische apparatuur 2012.



Naleavingsverklaring voor het VK

Richtlijn voor radioapparatuur 2017

Ninebot (Changzhou) Tech Co., Ltd. verklaart hierbij dat het in dit deel vermelde product voldoet aan de essentiële vereisten en andere relevante bepalingen van de Richtlijn voor radioapparatuur 2017.

De beperking van het gebruik van bepaalde gevaarlijke stoffen in de regelgeving voor elektrische en elektronische apparatuur 2012

Ninebot New Energy Technology (Beijing) Co., Ltd. verklaart hierbij dat het volledige product inclusief onderdelen (kabels, snoeren, enzovoort) voldoet aan de vereisten van de regelgeving inzake de beperking van het gebruik van bepaalde gevaarlijke stoffen in elektrische en elektronische apparatuur 2012.



Naleavingsverklaring voor de Europese Unie

Ninebot New Energy Technology (Beijing) Co., Ltd. verklaart hierbij dat het in dit deel genoemde product voldoet aan de essentiële vereisten en andere relevante bepalingen van de Richtlijn voor radioapparatuur 2014/53.

Bluetooth	Frequentieband(en)	2,4000-2,4835 GHz
	Max. RF-vermogen	20 mW

11 Handelsmerk en wettelijke verklaring

Segway, Rider Design zijn handelsmerken van Segway Inc.; Ninebot is het handelsmerk van Ninebot (Beijing) Tech Co., Ltd.; App Store® en Apple logo® zijn handelsmerken van Apple Inc.; Het Bluetooth® -woordmerk en de logo's zijn handelsmerken van Bluetooth SIG, Inc. en elk gebruik van dergelijke merken door Segway-Ninebot gebeurt onder licentie. Andere handelsmerken en handelsnamen zijn eigendom van hun betreffende eigenaars.

Door de voortdurende verbetering van producten kunnen deze handleiding en de daadwerkelijke producten enigszins afwijken op het vlak van kleur, uitzicht, enz. Werkelijke producten hebben voorrang wanneer er een discrepantie bestaat tussen de werkelijke producten en deze in de handleiding.

©2023 Ninebot (Beijing) Technology Co., Ltd. Alle rechten voorbehouden.

Wettelijke verklaring

1. Voordat u het draagbaar energiestation van Segway ("Product") gebruikt, dient u de gebruikershandleiding aandachtig te lezen om er zeker van te zijn dat u deze correct gebruikt nadat u de handleiding volledig begrijpt. Bewaar de gebruikershandleiding na het lezen veilig voor toekomstig gebruik. Als u dit product niet op de juiste manier gebruikt, kan dit leiden tot ernstig persoonlijk letsel bij uzelf of anderen, evenals tot productschade en verlies van eigendommen.
2. Door het product te gebruiken, wordt verondersteld dat u alle voorwaarden en de inhoud van dit document volledig begrijpt, erkent en accepteert. De gebruiker neemt de verantwoordelijkheid op zich voor zijn acties en alle gevolgen die voortvloeien uit het gebruik van het product. Segway is niet aansprakelijk voor enige claim, aansprakelijkheid en verlies in verband met dergelijke gevolgen als dit te wijten is aan de veronderstelling van risico van de gebruiker.
3. Sta personen die deze handleiding niet zorgvuldig hebben gelezen of die niet bekend zijn met het juiste gebruik en de veiligheidsvoorzorgen van het product, niet toe om het te gebruiken.
4. Controleer na ontvangst van het product onmiddellijk of het product en de bijbehorende accessoires intact en volledig zijn. Alle accessoires moeten worden gebruikt zoals vereist door de handleiding.
5. Waarschuwing: Een afname van de prestaties van de accu of het niet naar behoren kunnen functioneren als gevolg van het feit dat de gebruiker de accu niet goed heeft gebruikt en onderhouden, valt niet onder de beperkte garantie.
6. Voor zover wettelijk toegestaan, behoudt Segway zich het recht voor om de definitieve interpretatie en uitleg van deze verklaring te geven.

Deze wettelijke verklaring is onderworpen aan de wetten van de staat waar uw product is geïnstalleerd, behalve voor zover dit niet strookt met of wordt voorkomen door verschillende rechtsgebieden. Segway is niet aansprakelijk voor claims, aansprakelijkheden of verliezen die het gevolg zijn van de schending door de consument van de bovenstaande verklaring.

U kunt ervoor kiezen om de bovenstaande voorwaarden te accepteren en het product dienovereenkomstig te gebruiken of om door te gaan met het retourproces volgens de beperkte garantie. Zorg er bij het retourneren van het product voor dat het product en de verpakking intact zijn om te voorkomen dat dit gevolgen heeft voor de wederverkoop.

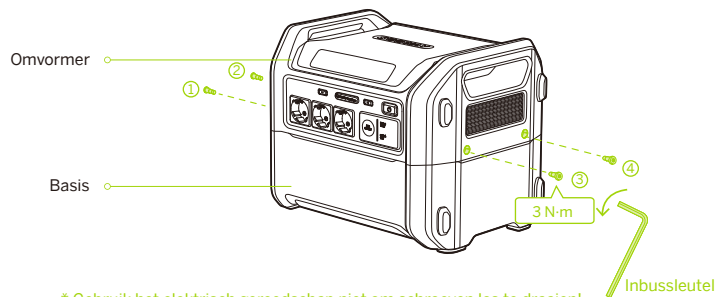
Als u van plan bent om het product door te verkopen of cadeau te doen, vergeet dan niet om deze wettelijke verklaring bij te voegen, aangezien deze integraal deel uitmaakt van het product.

Als u vragen hebt of hulp nodig hebt, staat Segway graag voor u klaar.

We danken u nogmaals voor uw keuze en vertrouwen in ons product.

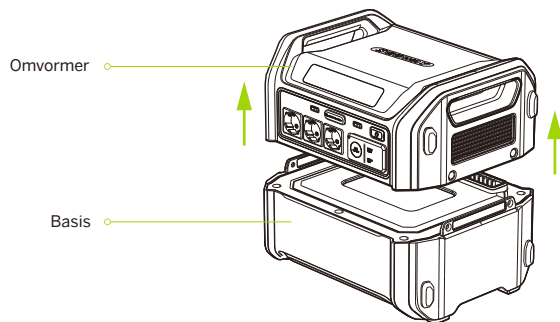
Bijlage: Accu-uitbreiding

- 1 Draai de vier schroeven los met de 3 mm inbussleutel.

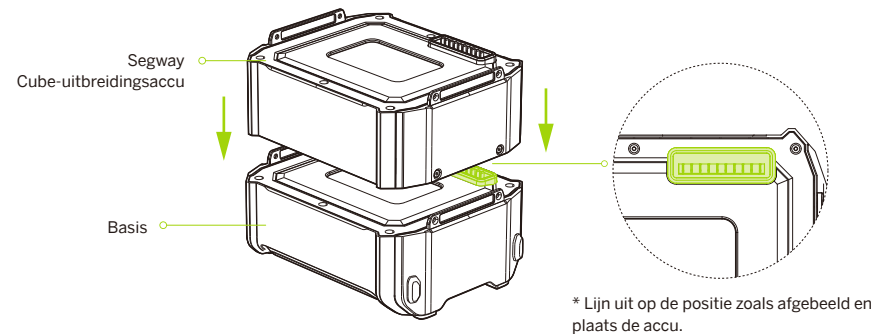


* Gebruik het elektrisch gereedschap niet om schroeven los te draaien!

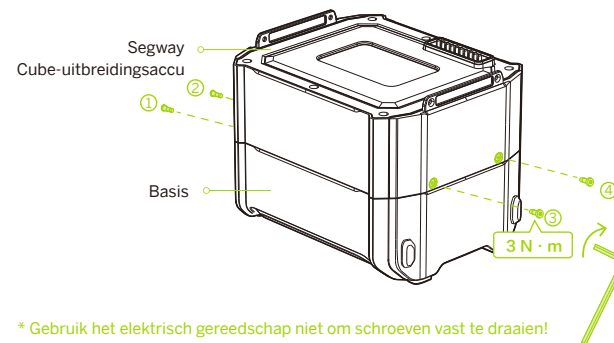
- 2 Scheid de omvormer en de basis.



- 3 Plaats de accu op de basis.

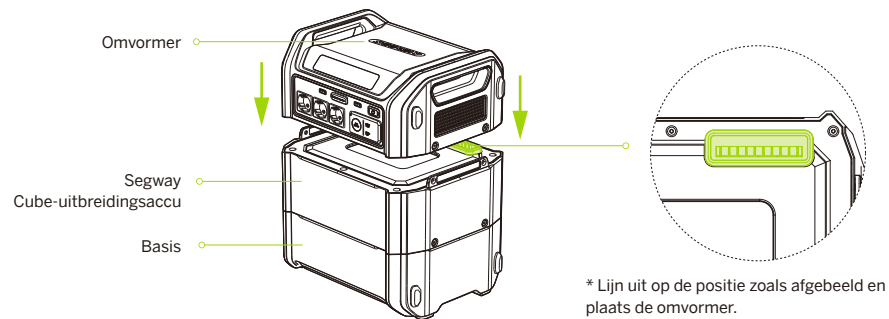


- 4 Draai de vier schroeven vast.

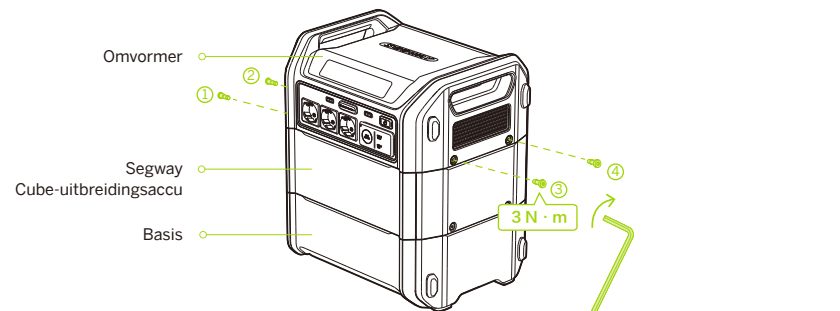


* Gebruik het elektrisch gereedschap niet om schroeven vast te draaien!

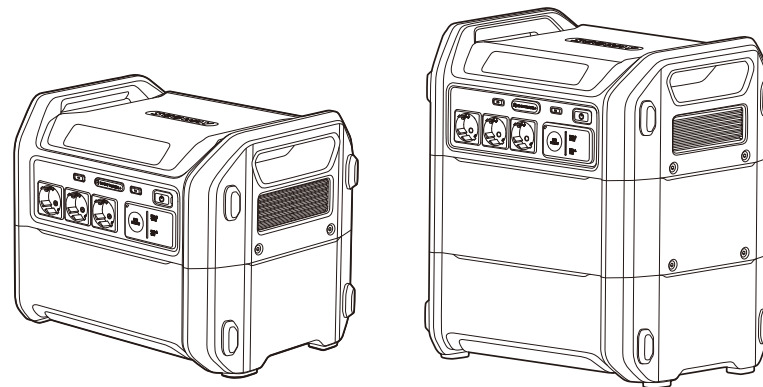
5 Plaats de omvormer op de accu.



6 Draai de vier schroeven vast.



* Gebruik het elektrisch gereedschap niet om schroeven vast te draaien!



SEGWAY
Estação de energia portátil Segway
CUBE-1000/CUBE-2000

Manual do utilizador

Conteúdos

1. Instruções de segurança	01
2. Lista de embalagem	04
3. Visão geral do produto	05
4. Como usar a estação de energia	09
5. Como recarregar a estação de energia	12
6. Configurações	15
7. Guia do utilizador da App	17
8. Especificações	19
9. Solução de problemas	20
10. Certificação	21
11. Declarações legais e de marca comercial	22
Apêndice: Expansão da bateria	24

1 Instruções de segurança

INSTRUÇÕES DE SEGURANÇA IMPORTANTES

- AVISO — Ao usar este produto, as precauções básicas devem sempre ser seguidas, incluindo as seguintes:
- Leia todas as instruções antes de usar o produto.
- Para reduzir o risco de ferimentos, é necessária uma supervisão cuidadosa quando o produto é usado perto de crianças.
- Não coloque dedos ou mãos no produto.
- O uso de um acessório não recomendado ou vendido pelo fabricante da unidade de alimentação pode resultar em risco de incêndio, choque elétrico ou ferimentos em pessoas.
- Para reduzir o risco de danos na ficha e no cabo elétrico, puxe a ficha em vez do cabo ao desconectar a unidade de alimentação.
- Não use uma bateria ou aparelho danificado ou modificado. Baterias danificadas ou modificadas podem apresentar um comportamento imprevisível, resultando em incêndio, explosão ou risco de ferimentos.
- Não opere a unidade de alimentação com um cabo ou ficha danificada ou com um cabo de saída danificado.
- Não desmonte a unidade de alimentação, leve-a a um técnico qualificado quando for necessário fazer manutenção ou reparações. A remontagem incorreta pode resultar em risco de incêndio ou choque elétrico.
- Para reduzir o risco de choque elétrico, desconecte a unidade de alimentação da tomada antes de tentar qualquer manutenção instruída.
- Ao carregar a bateria interna, trabalhe numa área bem ventilada e não restrinja a ventilação de forma alguma.
- Em condições abusivas, o líquido pode ser ejetado da bateria; evite o contacto. Se o contacto ocorrer acidentalmente, lave com água. Se o líquido entrar em contacto com os olhos, procure ajuda médica. O líquido ejetado da bateria pode causar irritação ou queimaduras.
- Não exponha a unidade de alimentação ao fogo ou a temperaturas excessivas. A exposição ao fogo ou a temperatura acima de 130°C (265°F) pode causar explosão.
- Certifique-se de que a manutenção é realizada por um técnico qualificado usando apenas peças de reposição idênticas. Isso garantirá que a segurança do produto é mantida.
- Não exponha o produto a fontes de ignição ou altas temperaturas, como veículos com alta temperatura ou luz solar direta.
- Mantenha o produto seco e não o mergulhe em água nem o submeta à humidade. Não use o produto em ambientes chuvosos ou húmidos.
- Evite usar o produto num ambiente de campo estático/magnético forte.
- Ao usar o produto, siga a temperatura ambiente operacional especificada no manual do utilizador. Se a temperatura estiver muito alta, pode causar incêndio ou explosão; se a temperatura estiver muito baixa, pode afetar seriamente o desempenho do produto ou impedir que o produto funcione.

- Ao armazenar o produto por muito tempo, coloque-o em local seco e ventilado.
- Evite obstruir o ventilador ou colocar o produto numa área sem ventilação ou empoeirada.
- Não desmonte o produto nem fure o produto com objetos pontiagudos.
- Evite impactos, quedas ou vibrações violentas. Se ocorrer um impacto sério, desligue a alimentação e pare de usar o produto imediatamente.
- Evite usar fios ou outros objetos metálicos que possam causar curto-circuito.
- Não use fios, fichas ou cabos de saída danificados para conectar este produto, para evitar choque elétrico.
- Não use componentes ou acessórios não oficiais. Se precisar de substituir algum componente ou acessório, consulte o canal oficial da Segway.
- Não empilhe objetos pesados sobre o produto.
- Não coloque o produto numa superfície instável para evitar que o produto tombe ou caia.
- Certifique-se de que o produto é mantido fora do alcance de crianças e animais de estimação.
- Não se recomenda o uso deste produto para alimentar equipamentos de emergência médica relacionados com segurança pessoal, incluindo ventiladores de classe médica e pulmões artificiais. Se precisar de alimentar este produto, siga as instruções do seu médico e consulte o fabricante. Se usado para equipamentos médicos gerais, verifique se a alimentação elétrica alimentação está em condições adequadas.
- Ao usar este produto, a alimentação elétrica gera campos eletromagnéticos que podem interferir na operação adequada de implantes médicos ou dispositivos médicos pessoais, como marcapassos, implantes cocleares, aparelhos auditivos, desfibriladores etc. Se esses dispositivos estiverem a ser usados, entre em contacto com o fabricante para obter informações sobre as restrições ao uso desses dispositivos, a fim de garantir que os implantes médicos são mantidos a uma distância segura deste produto durante o uso.
- Risco de choque elétrico. Nunca use a unidade de alimentação para fornecer ferramentas elétricas para cortar ou aceder a partes ativas ou fiações elétricas, ou materiais que possam conter partes ativas ou fiações elétricas internas, como paredes de edifícios, etc.

GUARDE ESSAS INSTRUÇÕES

INSTRUÇÕES DE ATERRAMENTO

Este produto deve estar aterrado. Em caso de avaria ou falha, o aterramento fornece um caminho de menor resistência à corrente elétrica para reduzir o risco de choque elétrico. Este produto é equipado com um cabo com um condutor de aterramento do equipamento e uma ficha de aterramento. A ficha deve ser conectada a uma tomada devidamente instalada e aterrada de acordo com todas as normas de códigos locais.

AVISO — A conexão incorreta do condutor de aterramento do equipamento pode resultar em risco de choque elétrico. Consulte um electricista qualificado se tiver dúvidas sobre se o produto está devidamente aterrado. Não modifique a ficha fornecida com o produto — se não couber na tomada, peça a instalação de uma tomada adequada por um electricista qualificado.

Manutenção diária

Se o produto não estiver em uso por mais de 30 dias, carregue-o totalmente e coloque-o num local fresco e seco para armazenamento. Se não for carregada no máximo de 6 meses, é provável que a bateria fique danificada.

Diretrizes de eliminação de baterias

- Ao eliminar a bateria, certifique-se de que ela está totalmente descarregada e coloque-a no contentor de baterias designado.
- A bateria deste produto contém substâncias químicas e é estritamente proibido ser descartado no lixo geral. Siga as leis e regulamentos locais para reciclagem e elimine as baterias.
- Se a bateria não puder ser totalmente descarregada devido a uma falha no produto, não elimine a bateria diretamente no contentor de baterias. Entre em contacto com uma empresa profissional de reciclagem de baterias para posterior eliminação.

Precauções de segurança ao carregar

- Ao usar dois ou mais painéis solares para recarregar o produto, use o mesmo tipo de painel solar. O produto pode ser conectado com um, dois ou quatro painéis solares. Ao usar quatro painéis solares para recarregar o produto, certifique-se de que a conexão entre os painéis solares é dois em série e dois em paralelo.
- Não recarregue o produto com cabos de carregamento do carro e painéis solares ao mesmo tempo, pois isso pode danificar o fusível.
- Recomenda-se o uso de acessórios Segway - Painel Solar Segway SP para carregamento solar. O uso de outras marcas de painéis solares pode causar danos pelos quais não somos responsáveis.

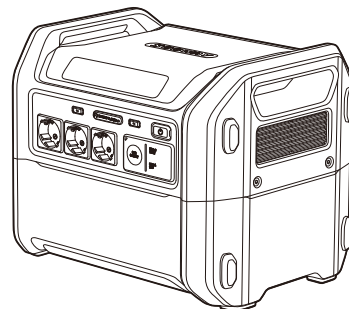
Aviso de alta temperatura

A temperatura do produto pode estar muito alta para alimentar aparelhos elétricos de alta potência por um longo tempo, e a proteção de alta temperatura pode ser acionada. Para segurança da bateria, o produto limitará automaticamente a potência de saída para diminuir a temperatura. Se o limite for atingido, a saída será cortada e a função de carga ficará indisponível. Pare de usar as cargas de alta potência imediatamente se esse aviso aparecer, deixe arrefecer o produto e tente usá-lo novamente.

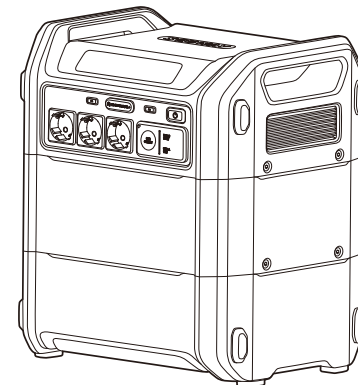
Levamos muito a sério a sua segurança e a proteção dos nossos produtos. Se tiver alguma dúvida ou sugestão, entre em contacto com o Atendimento ao Cliente da Segway.

2 Lista de embalagem

Estação de energia portátil Segway:

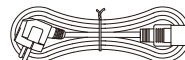


CUBE-1000 x 1



CUBE-2000 x 1

Acessórios:



Cabo de carregamento CA x 1



Cabo de carregamento de carro x 1



3 mm Chave Allen x 1



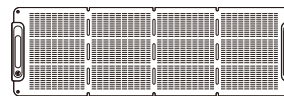
Manual do Utilizador x 1



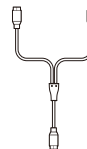
Política de garantia x 1

* Somente para CUBE-2000

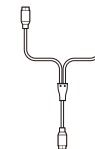
Acessórios vendidos separadamente:



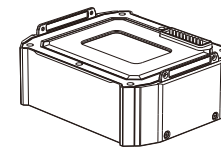
Painel solar Segway SP



Conector série



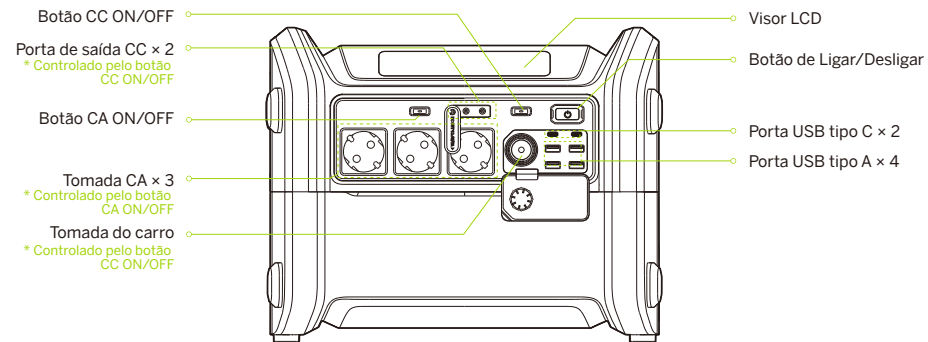
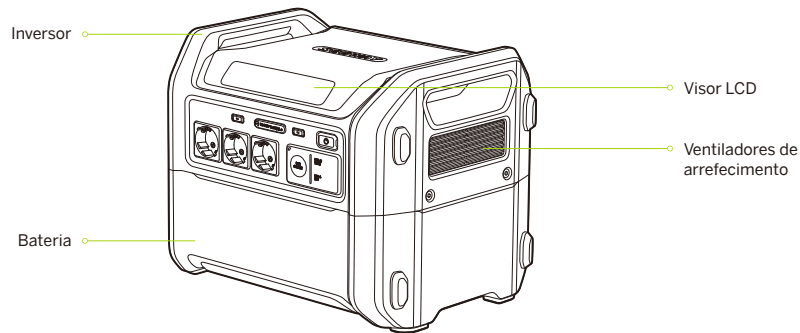
Conector paralelo



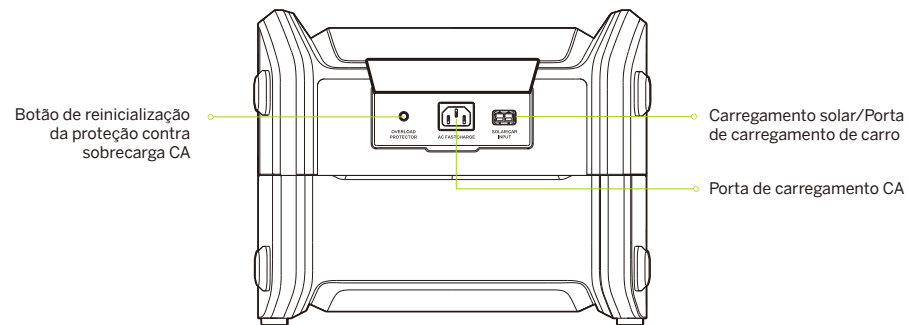
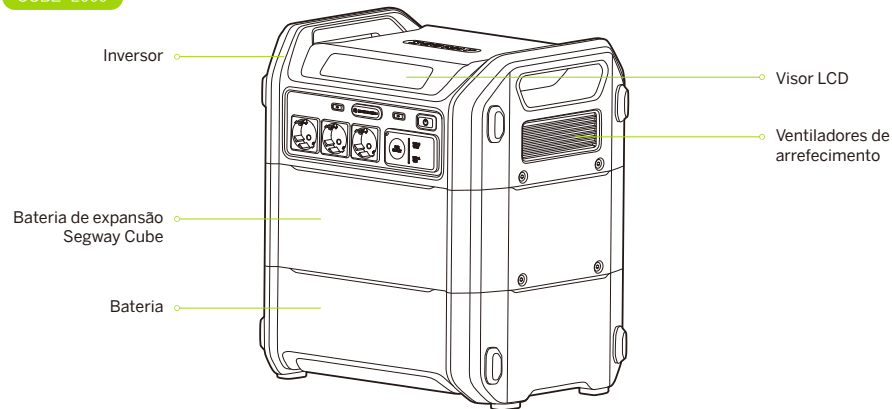
Bateria de expansão Segway Cube

3 Visão geral do produto

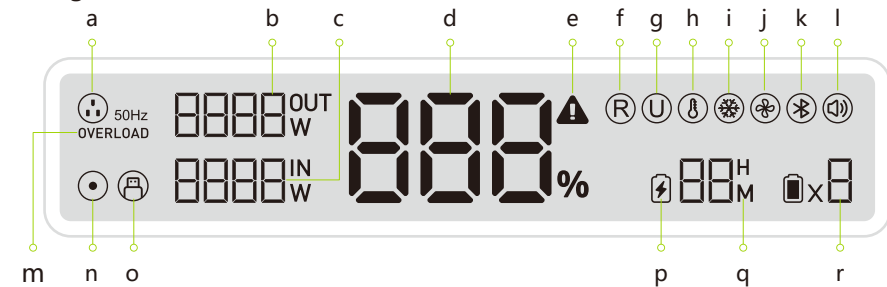
CUBE-1000



CUBE-2000



Visão geral do ecrã



a 50Hz
Saída CA
O ícone da ficha é exibido como saída CA, a frequência de saída é 50 Hz.

b OUT W
Potência de saída

c IN W
Potência de entrada

d %
Energia da Bateria

e **Aviso**
Quando o ícone acende, significa que a proteção contra alta temperatura, proteção contra baixa temperatura ou proteção contra sobrecarga de corrente alternada está ativada.

f **R-Drive**
Ajuste de forma inteligente a potência operacional dos aparelhos elétricos e certifique-se de que eles funcionam com a potência nominal do inversor. Suporta cargas de até 4400 W.

g **UPS (fonte de alimentação ininterrupta)**
Mude automaticamente para alimentação por inversor se a entrada CA for cortada por falha na rede elétrica e certifique-se de que os aparelhos elétricos funcionam normalmente.

h **Proteção de alta temperatura**
A potência parcial de entrada/saída diminuirá automaticamente quando a temperatura do dispositivo estiver muito alta.

i **Proteção de baixa temperatura**
A potência parcial de entrada/saída diminuirá automaticamente quando a temperatura do dispositivo estiver muito baixa.

j **Ventilador de refrigeração**
O ícone indica que o ventilador está a funcionar.

k **Bluetooth**
O ícone pisca durante o emparelhamento e permanece aceso quando o dispositivo é conectado com sucesso.

l **Botão de som**

m **OVERLOAD**
Sobrecarga de saída CA

n **Saída CC/Tomada de carro**

o **Saída USB**

p **A Carregar**

q **Tempo restante de descarga/carga**

r **Quantidade do conjunto de baterias**
CUBE-1000 1
CUBE-2000 2

4 Como usar a estação de energia

* Ilustrado com CUBE-1000

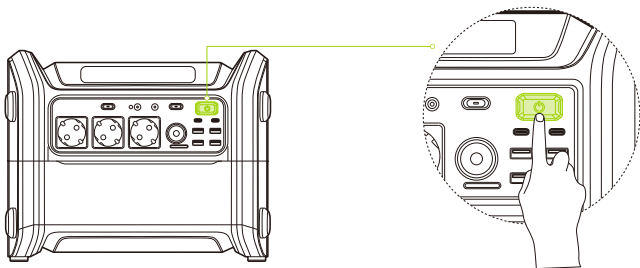
1 Ligar/desligar

Pressione e segure o botão liga / desliga por mais de 1 segundo para ligar/desligar.

Prima o botão de alimentação para acordar ou escurecer o ecrã quando a estação elétrica está ligada.

Ativado: A estação de energia emite um bipe uma vez e o indicador do botão fica branco.

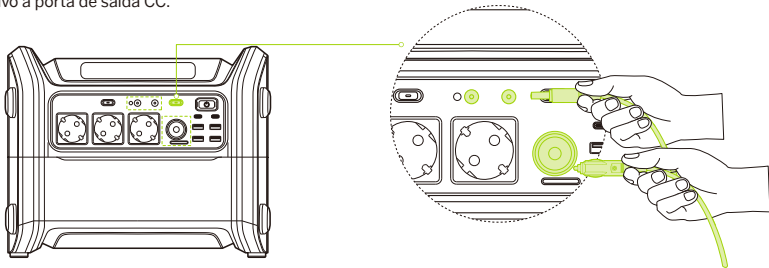
Desligado: A estação de energia emite um bipe uma vez e o indicador do botão apaga-se.



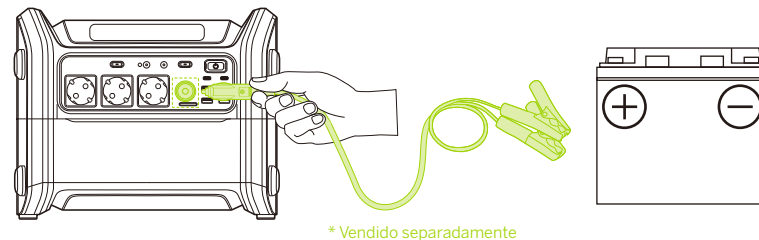
2 Saída CC

* Porta de saída CC x 2 / tomada de carro x 1

a) Quando a estação de energia estiver ligada, pressione o botão CC ON/OFF para ligar a saída CC, conecte o dispositivo à porta de saída CC.



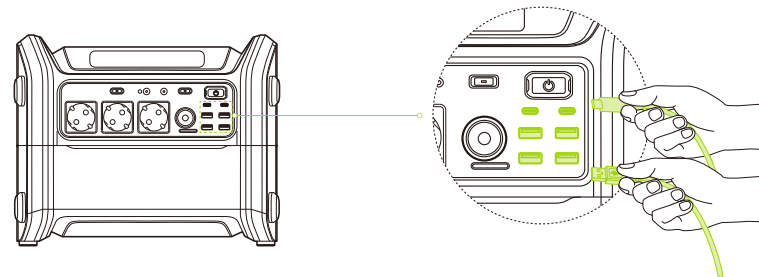
b) Pressione o botão CC ON/OFF para ligar a tomada do carro. A tomada do carro suporta saída de corrente constante e pode usar o cabo específico para carregar a bateria do carro (somente para carregar, não pode ser usado para iniciar o veículo.)



* Vendido separadamente

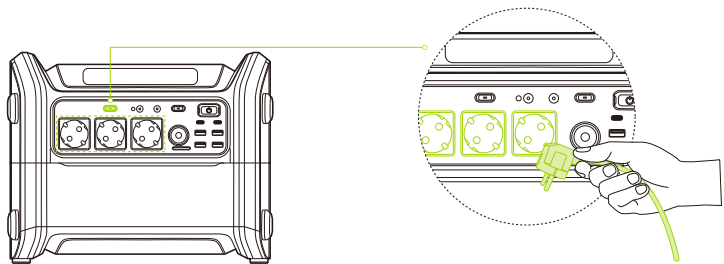
3 Saída USB

Conecte o dispositivo à porta de saída USB.



4 Saída CA

Quando a estação de energia estiver ligada, pressione o botão CA ON/OFF para ligar a saída CA e conecte o dispositivo à tomada CA.

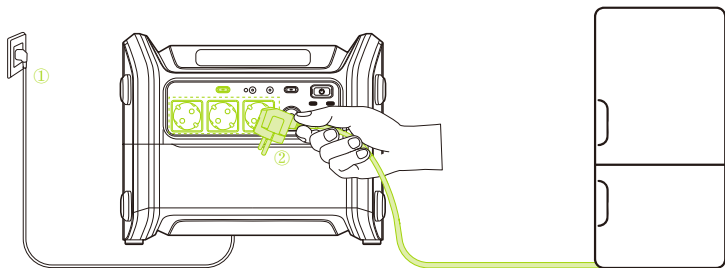


5 Função UPS

Quando a função UPS está ativada:

- ① Conecte o cabo de carregamento CA na tomada da parede e conecte a outra extremidade à porta de carregamento CA da estação de energia.
- ② Pressione o botão CA ON/OFF para ligar a saída CA, conecte o dispositivo CA à tomada CA

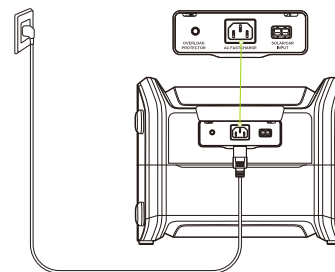
* Neste ponto, a função UPS é ativada e a estação de energia mudará automaticamente para alimentação por inversor quando a rede elétrica falhar.



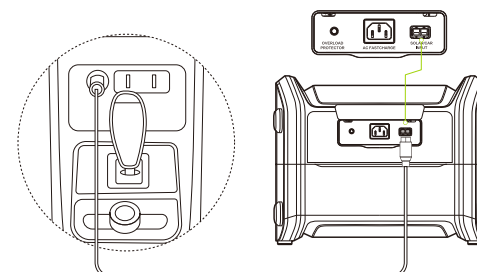
5 Como recarregar a Estação de energia

A estação de energia tem duas portas de carregamento, porta de carregamento CA e porta de carregamento solar/automóvel. Ao recarregar a estação de energia, o ecrã mostrará o estado do carregamento. Existem cinco métodos de carregamento abaixo. O carregamento duplo também está disponível.

- ① Carregamento CA
- ② Carregamento do carro
- ③ Carregamento solar
- ④ Carregamento CA e solar
- ⑤ CA e carregamento de carros



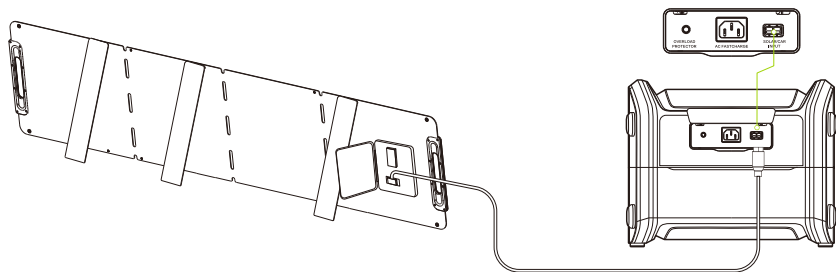
Carregamento CA



Carregamento do carro

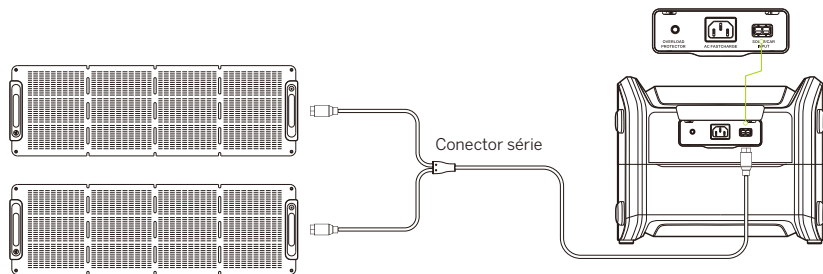
Carregamento solar

a. Painel solar único



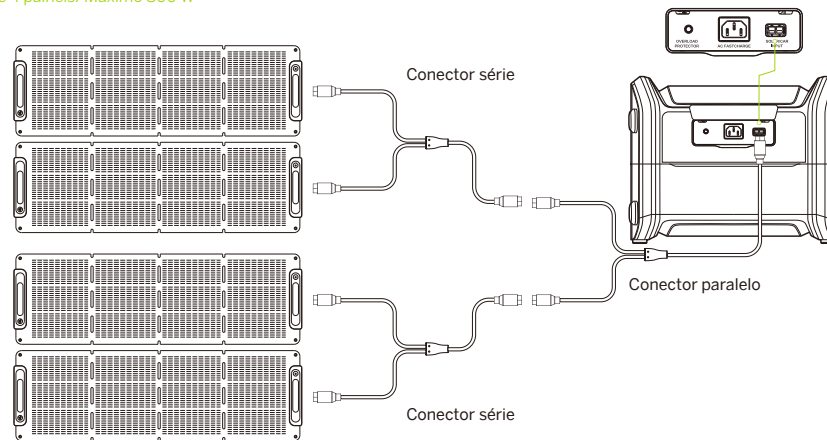
b. Vários painéis solares

2 painéis



4 painéis

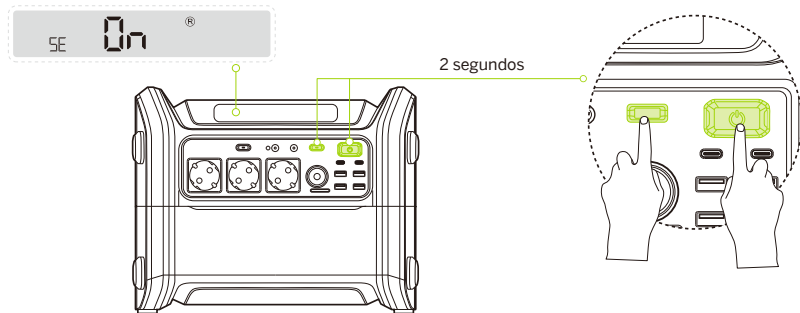
* Até 4 painéis/Máximo 800 W



6 Configurações

Quando a estação de energia estiver desligada, pressione sem soltar o botão CC ON/OFF e o botão liga/desliga durante 2 segundos ao mesmo tempo para aceder às configurações.

Observação: O carregamento e o descarregamento não estão disponíveis durante a configuração.



Operações básicas dos botões

Botão de Ligar/Desligar: Pressione para guardar e sair das configurações.

Botão CA ON/OFF: Vá para a próxima configuração.

Botão CC ON/OFF: Alterne entre as opções da configuração atual.

Configurações

Observação: Recomenda-se a personalização dessas configurações diretamente através da aplicação Segway-Ninebot.

Ícone	Configuração	Visor	Opções
Ⓡ	R-Drive ^[1]	SE On [®] SE OFF [®]	A configuração padrão está ativada. A função pode ser ligada/desligada. * Esta função é aplicável somente a aparelhos resistivos. Desligue esta função imediatamente se os aparelhos não funcionarem normalmente.

Ícone	Configuração	Visor	Opções
Ⓛ	UPS (Fonte de alimentação ininterrupta) ^[2]	SE On [®] SE OFF [®]	A configuração padrão está ativada. A função pode ser ligada/desligada.
Ⓜ	Modo de ventilador	SE HI [®] SE LO [®]	Estão disponíveis dois modos. Modo de arrefecimento ativo: O ventilador funciona automaticamente e mantém a estação de energia a uma temperatura relativamente baixa. Modo silencioso: O ventilador funciona automaticamente e funciona a uma velocidade e frequência relativamente baixas.
🔊	Botão de som	SE On [®] SE OFF [®]	A configuração padrão está ativada. O botão de som pode ser ligado/desligado.

Características

1 R-Drive

Esta função não é aplicável a todos os aparelhos elétricos, mas apenas a aparelhos resistivos, como secadores de cabelo e chaleiras elétricas. Teste a compatibilidade antes de usar. Aparelhos de alta potência, como ares condicionados, cafeteiras, secadores, fogões elétricos, frigoríficos grandes, fornos de microondas, cortadores de relva, fornos e máquinas de lavar não são compatíveis.

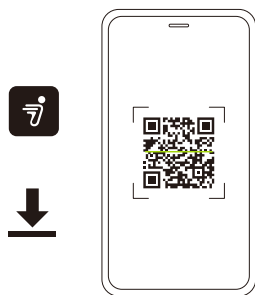
2 UPS (fonte de alimentação ininterrupta)

Quando conecta a estação de energia à fonte de alimentação CA e, em seguida, conecta os aparelhos à tomada CA da estação de energia, os aparelhos obtêm energia da fonte de alimentação CA, não da estação de energia. Quando a fonte de alimentação CA falhar, a estação de energia mudará automaticamente para a alimentação por inversor para os aparelhos em 20-30 ms.

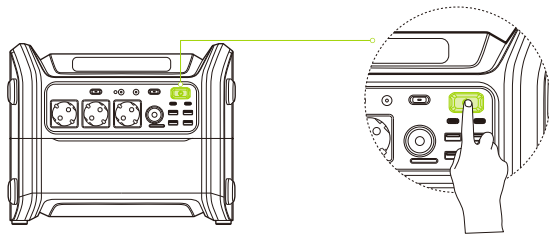
A função UPS é do tipo offline e não suporta 0ms-switch. Não use a estação de energia para carregar dispositivos que exijam uma alimentação elétrica contínua. Teste a compatibilidade antes de usar.

7 Guia do utilizador da App

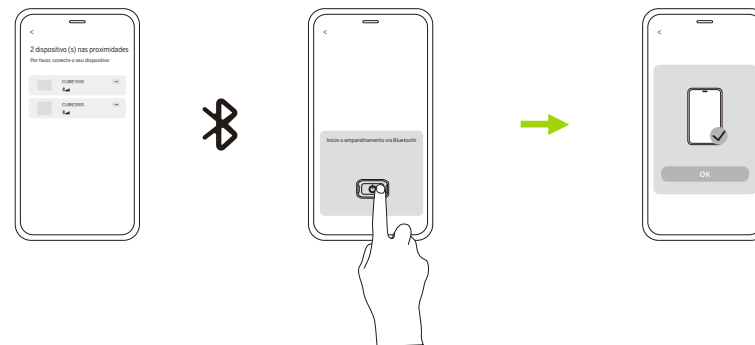
- 1 Leia o código QR para descarregar a aplicação Segway-Ninebot para se registar ou iniciar sessão.



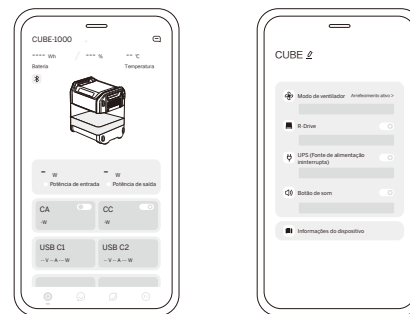
- 2 Pressione e segure o botão liga / desliga para ligar a estação de energia.



- 3 Toque em "Adicionar dispositivo" e siga as instruções para se conectar à estação de energia via Bluetooth.



- 4 Personalize as configurações diretamente por meio da App. Verifique as informações em tempo real da bateria restante, temperatura, potência de entrada/saída de cada porta de entrada/saída, etc.



8 Especificações

Estação de energia	Nome do produto	Estação de energia portátil Segway Cube	
	Modelo	CUBE-1000	CUBE-2000
	C x L x A*	354 x 289 x 284 mm (13,9 x 11,3 x 11,1 polegadas)	354 x 289 x 399 mm (13,9 x 11,3 x 15,7 polegadas)
	Peso líquido*	16,2 kg (35,7 libras)	26,1 kg (57,5 libras)
	Modelo do inversor	CUBE-IV-2200	
	Modelo de bateria incluído	CUBE-BT-1000	CUBE-BT-1000, CUBE-BTX-1000
	Frequência nominal	50 Hz	
	Máxima potência de saída no total	2200 W	2584 W
	CA máx. potência de saída	2200 W	
	CC máx. potência de saída	384 W	
	Entrada CA	230 V ~ 50 Hz 1250 W máx.	
	Entrada do carro	12 V/24 V = 200 W máx.	
	Entrada do painel solar	12-60 V = 800 W Max	
	Saída CA (x 3)	230 V~, 9,56 A, 50 Hz, 2200 W máx. (modo inversor, onda senoidal pura) / 230 V ~, 50 Hz, 5,2 A máx. (modo de derivação)	
	Tomada do carro	13,6 V = 10 A 136 W máx.	
	Saída DC5525 (x 2)	13,6 V = 5 A 68 W máx.	
Saída USB tipo A (x 4)	5/9/12 V = 3 A 18 W máx.		
Saída USB tipo C (x 2)	5/9/12/15/20 V = 5 A 100 W máx.		
Temperatura de descarregamento	-10°C ~ 45°C (14°F ~ 113°F)		
Temperatura de carregamento	5°C ~ 45°C (41°F ~ 113°F)		
Bateria Conjunto	Modelo	CUBE-BT-1000	CUBE-BTX-1000
	C x L x A*	354 x 289 x 152 mm (13,9 x 11,3 x 5,9 polegadas)	348 x 289 x 135 mm (13,7 x 11,3 x 5,3 polegadas)
	Peso líquido*	10 kg (22 libras)	9,9 kg (21,8 libras)
	Tipo de Bateria	Bateria LFP (LiFePO ₄)	
	Capacidade nominal	20 Ah	
	Energia Nominal	1024 Wh	
	Voltagem nominal	51,2 V =	
	Máx. tensão de carregamento	57,6 V =	
	Classificação IP	IP56	
	Sistema de gestão de bateria	Proteção contra sobreaquecimento, sobrecorrente e sobretensão.	

9 Solução de problemas

Código de erro	Causas Possíveis	Solução
E01	Proteção contra sobreaquecimento da bateria	Por favor, deixe arrefecer a bateria
E02	Proteção contra baixa temperatura da bateria	Por favor, deixe a bateria voltar à temperatura normal.
E03	Proteção contra subtensão da bateria	Por favor, carregue imediatamente!
E04	Erro de comunicação da bateria 1	1. Desligue a estação de energia e verifique se a bateria está conectada corretamente. 2. Reinicie a estação de energia.
E05	Erro de comunicação da bateria 2	Nota: se o código de erro persistir após a operação com os métodos acima, a bateria pode ter sido danificada.
E06	Proteção contra sobreaquecimento durante o carregamento	1. Por favor, deixe arrefecer a estação de energia. 2. Verifique o ventilador e as aberturas de arrefecimento e aplique a dissipação de calor na estação de energia.
E07	Proteção contra sobreaquecimento durante a descarga	1. Por favor, deixe arrefecer a estação de energia. 2. Verifique o ventilador e as aberturas de arrefecimento e aplique a dissipação de calor na estação de energia.
E08	Anomalia de carregamento solar	1. Verifique o tipo de painel solar (80 V/20 A). Se for compatível, o circuito de hardware do painel solar pode ter sido danificado. Entre em contacto com o serviço pós-venda para obter assistência. 2. Caso contrário, desconecte o painel solar.
E09	Erro de entrada CA	Anomalia na entrada CA causada pela instabilidade da rede elétrica, desconecte o cabo de carregamento CA.
E10	Sobrecarga ou curto-circuito na saída do carro	Desconecte as cargas. Desligue a saída CC após 5 segundos e tente novamente mais tarde.
E11	Sobrecarga ou curto-circuito na saída USB	Desconecte os dispositivos USB.
E12	Proteção contra sobrecarga de saída CA	Desconecte as cargas. Desligue a saída CA após 5 segundos e tente novamente mais tarde.
E13	Proteção contra curto-circuito de saída CA	Desconecte as cargas. Desligue a saída CA após 5 segundos e tente novamente mais tarde.
E14	Avaria do inversor	Desconecte os dispositivos CA. Desligue a saída CA após 5 segundos e tente novamente mais tarde.
E15	Avaria da bateria	Mantenha a estação de energia parada e reinicie-a.
E16	Avaria nos fios internos	Desconecte todos os dispositivos de entrada/saída e reinicie a estação de energia.

* Para o código de erro de E09 a E16, se o código de erro persistir após operar com os métodos acima, entre em contacto com o serviço pós-venda para obter assistência.

10 Certificação

Informação sobre eliminação para utilizadores de resíduos de equipamento eléctrico e eletrónico



Este símbolo no produto ou na sua embalagem indica que os produtos eléctricos e eletrónicos usados não devem ser misturados com resíduos urbanos não triados. Para o tratamento adequado, é sua responsabilidade eliminar o equipamento usado, devolvendo-o nos pontos de recolha designados.

A eliminação correta deste produto ajudará a poupar recursos valiosos e a prevenir quaisquer potenciais efeitos negativos na saúde humana e no ambiente, que poderiam surgir de um manuseamento inadequado dos resíduos.

Podem ser aplicadas sanções por eliminação incorreta destes resíduos, de acordo com a sua legislação nacional.

Por favor contacte a sua autoridade local para mais detalhes sobre o seu ponto de recolha designado mais próximo.

Informação sobre reciclagem de baterias para utilizadores



Este símbolo significa que as pilhas e acumuladores, no seu fim de vida útil, não devem ser misturados com resíduos urbanos não triados. A sua participação é uma parte importante do esforço para minimizar o impacto das pilhas e acumuladores no ambiente e na saúde humana. Para uma reciclagem adequada, pode devolver este produto ou as pilhas ou acumuladores que contém ao seu fornecedor ou num ponto de recolha designado.

A eliminação correta deste produto ajudará a poupar recursos valiosos e a prevenir quaisquer potenciais efeitos negativos na saúde humana e no ambiente, que poderiam surgir de um manuseamento inadequado dos resíduos.

Podem ser aplicadas sanções por eliminação incorreta destes resíduos, de acordo com a sua legislação nacional.

Existem sistemas de recolha separados para pilhas e acumuladores usados.

Por favor, elimine as pilhas e acumuladores corretamente no seu centro comunitário local de recolha/reciclagem de resíduos.

Diretiva de restrição do uso de certas substâncias perigosas (RoHS)

A Ninebot New Energy Technology (Beijing) Co., Ltd. declara que todo o produto, incluindo peças (cabos, fios, etc.), cumpre os requisitos da Diretiva RoHS 2011/65/UE e emenda à Diretiva Delegada da Comissão (UE)

A restrição do uso de certas substâncias perigosas em regulamentos de equipamentos eléctricos e eletrónicos 2015/863 ("reformulação da RoHS" ou "RoHS 2.0").

A restrição do uso de certas substâncias perigosas em regulamentos de equipamentos eléctricos e eletrónicos 2012

Ninebot New Energy Technology (Beijing) Co., Ltd. declara pelo presente que todo o produto, incluindo peças (cabos, fios, etc.) cumpre os requisitos dos regulamentos sobre a restrição do uso de certas substâncias perigosas em equipamentos eléctricos e eletrónicos de 2012.



Declaração de Conformidade do Reino Unido

Regulamentos de equipamentos de rádio 2017

Ninebot New Energy Technology (Beijing) Co., Ltd. declara que o produto listado nesta secção está em conformidade com os requisitos essenciais e outras disposições relevantes dos Regulamentos de Equipamentos de Rádio 2017.

A restrição do uso de certas substâncias perigosas em regulamentos de equipamentos eléctricos e eletrónicos

2012

Ninebot New Energy Technology (Beijing) Co., Ltd. declara pelo presente que todo o produto, incluindo peças (cabos, fios, etc.) cumpre os requisitos dos regulamentos sobre a restrição do uso de certas substâncias perigosas em equipamentos eléctricos e eletrónicos de 2012.



Declaração de Conformidade da União Europeia

Ninebot New Energy Technology (Beijing) Co., Ltd. declara que o produto listado nesta secção está em conformidade com os requisitos essenciais e outras disposições relevantes dos Regulamentos de Equipamentos de Rádio 2014/53/UE.

Bluetooth	Banda(s) de frequência	2,4000-2,4835 GHz
	Potência RF Máxima	20 mW

11 Declarações legais e de marca comercial

Segway, Rider Design são marcas comerciais da Segway Inc.; Ninebot é marca comercial da Ninebot (Beijing) Tech Co., Ltd.; App Store® e o logótipo da Apple® são marcas comerciais da Apple Inc.; A marca e os logótipos Bluetooth® são marcas comerciais da propriedade da Bluetooth SIG, Inc. e qualquer uso dessas marcas pela Segway-Ninebot ocorre sob licença. Outras marcas comerciais e nomes comerciais são dos seus respetivos proprietários.

Devido à melhoria constante dos produtos, este manual e os produtos reais podem ser ligeiramente diferentes em cor, aspeto, etc. Os produtos reais prevalecerão quando houver uma discrepância entre os produtos reais e o manual.

©2023 Ninebot (Beijing) Technology Co., Ltd. Todos os direitos reservados.

Declaração legal

1. Antes de usar a Estação de Energia Portátil Segway ("Produto"), leia atentamente o manual do utilizador para garantir o uso adequado após a compreensão completa. Depois de ler, guarde o manual do utilizador em segurança para referência futura. A operação incorreta deste produto pode resultar em ferimentos pessoais graves em si ou noutras pessoas, bem como em danos no produto e perda de propriedade.
2. Ao usar o Produto, considera-se que compreende, reconhece e aceita totalmente todos os termos e conteúdos deste documento. O utilizador assume a responsabilidade pelas suas ações e todas as consequências decorrentes do uso do Produto. A Segway não será responsável por qualquer reclamação, responsabilidade e perda relacionada com tais consequências se for devido à assunção de risco do utilizador.
3. Não permita que pessoas que não tenham lido cuidadosamente este manual ou que não estejam familiarizadas com o uso adequado e as precauções de segurança do Produto o usem.
4. Ao receber o Produto, inspecione imediatamente se o produto e os seus acessórios estão intactos e completos. Todos os acessórios devem ser usados conforme indicado no manual de instruções.
5. Aviso: Qualquer redução do desempenho da bateria ou incapacidade de funcionar adequadamente causada pela falha do utilizador em usar e manter a bateria adequadamente não é coberta pela Garantia Limitada.
6. Na medida permitida por lei, a Segway reserva-se o direito de fornecer a interpretação e explicação finais desta declaração.

Esta Declaração Legal será regida pelas leis do estado onde o seu Produto está instalado, exceto na medida em que seja inconsistente ou imposta por diferentes jurisdições. A Segway não será responsável por quaisquer reclamações, responsabilidades ou perdas resultantes da violação da declaração acima pelo consumidor.

Pode optar por aceitar os termos acima e usar o produto adequadamente, ou prosseguir com o processo de devolução de acordo com a Garantia Limitada. Ao devolver o Produto, certifique-se de que o Produto e a embalagem estão intactos para evitar afetar a revenda.

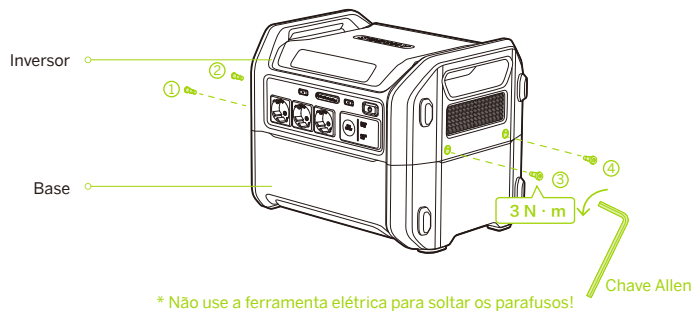
Se pretende revender ou oferecer o Produto, lembre-se de incluir esta declaração legal, pois faz parte integrante do Produto.

Se tiver alguma dúvida ou precisar de ajuda, a Segway estará à sua disposição.

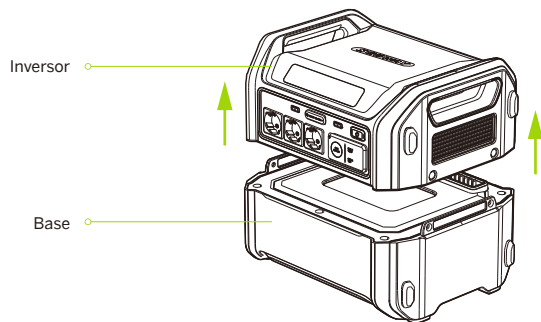
Mais uma vez, agradecemos por escolher e confiar no nosso Produto.

Apêndice: Expansão da bateria

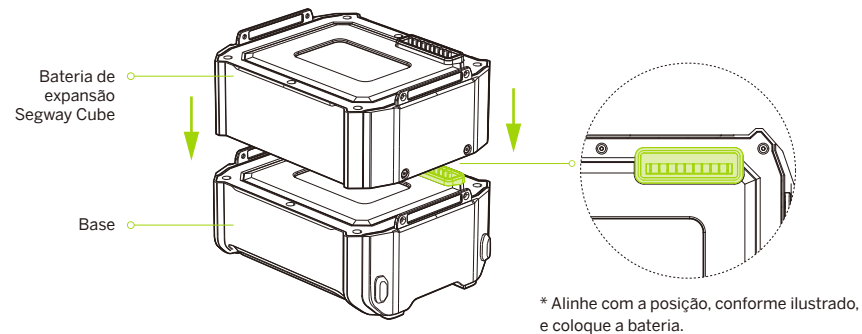
- 1 Solte os quatro parafusos com a chave Allen de 3 mm.



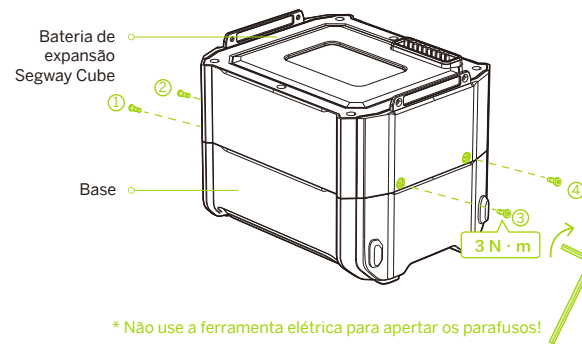
- 2 Separe o inversor e a base.



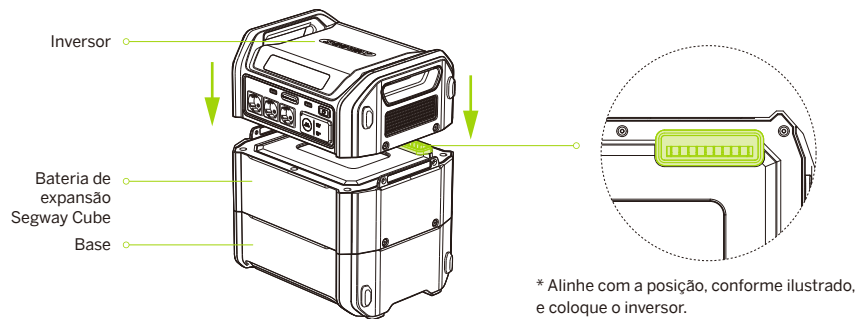
- 3 Coloque a bateria na base.



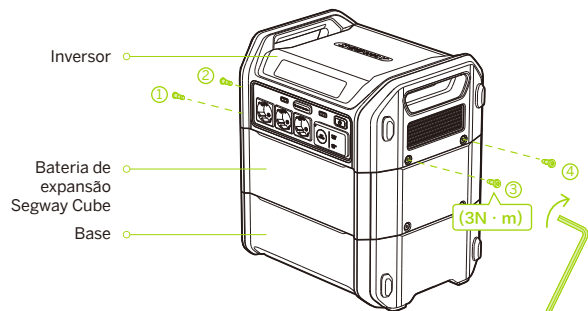
- 4 Aperte os quatro parafusos.



5 Coloque o inversor na bateria.



6 Aperte os quatro parafusos.



* Não use a ferramenta elétrica para apertar os parafusos!