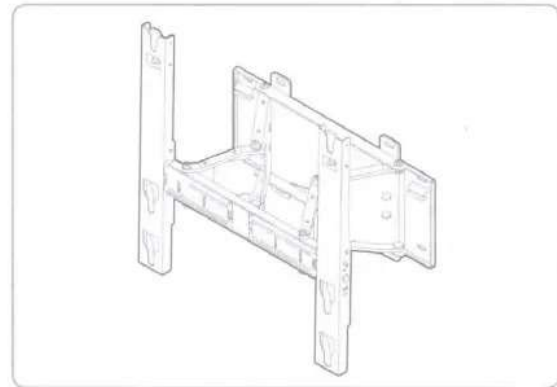


Angle Adjustment and Rotation Type Wall-Mount Bracket Installation Guide

WMN4277ST



Product Image



Components

* Only use the supplied components for the bracket installation.

<p>Angle Adjustment Bracket</p> <p>1</p>	<p>Bracket</p> <p>Left : 1 Right : 1</p>	<p>Accessories</p> <table border="1"> <tr> <td colspan="4">Screws (c) : 4</td> <td>Washers</td> </tr> <tr> <td>M8XL35</td> <td>M8XL40</td> <td>M8XL47</td> <td>M8XL71</td> <td>1T : 4</td> </tr> <tr> <td>M8XL49</td> <td>M8XL55</td> <td>M8XL64</td> <td></td> <td>3T : 4</td> </tr> </table> <p>Plastic hangers : 4</p> <p>Screws (a) : 8 Anchor : 8 Screw (b) : 8 Wire Fixing Tool : 1</p>	Screws (c) : 4				Washers	M8XL35	M8XL40	M8XL47	M8XL71	1T : 4	M8XL49	M8XL55	M8XL64		3T : 4
Screws (c) : 4				Washers													
M8XL35	M8XL40	M8XL47	M8XL71	1T : 4													
M8XL49	M8XL55	M8XL64		3T : 4													



Safety Instructions

⚠ Be sure to contact an authorized service center when installing your set.

Contact a qualified technician at your dealer for moving or replacing the product after the installation.

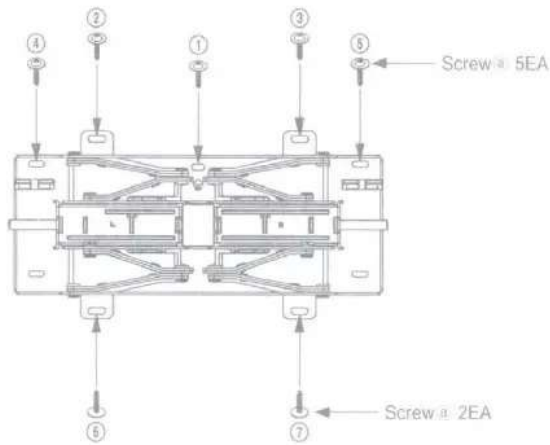
Do not hang on or give sudden impacts to the product.

1. Be sure to keep the product away from children. There can be serious damage on the head when hit by the edge of the product.
2. Be careful when you adjust the angle or rotate the set. The product can be damaged if it is too close to touch the wall.
(Attach some sponges to 4 corners of the product to avoid the product or wall damage.)
3. Do not install the product in a place with high temperature and high humidity. Avoid to install the product on the wall which cannot bear the weight.
4. Since there is a danger of electric shock, do not insert your fingers into the TV stand installation hole while installing the TV.
5. Make sure to cover the TV stand installation hole with the hole cover supplied with the TV before completing the wall installation.



Wall Bracket Assembly

- 1** Install the angle adjustment bracket on the wall as shown in the figure.



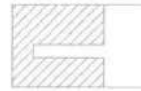
Tighten the angle adjustment bracket by using anchors and screws ⓐ orderly from ① to ⑦.

If it cannot be installed on the assigned area, install at the nearest place.

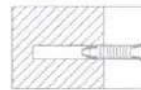
How to Tighten Anchors or Screws ⓐ



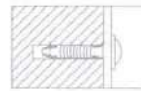
Make a hole in the wall with the drill of 6X50.



Clean up the hole.



Insert the supplied anchor to the hole.

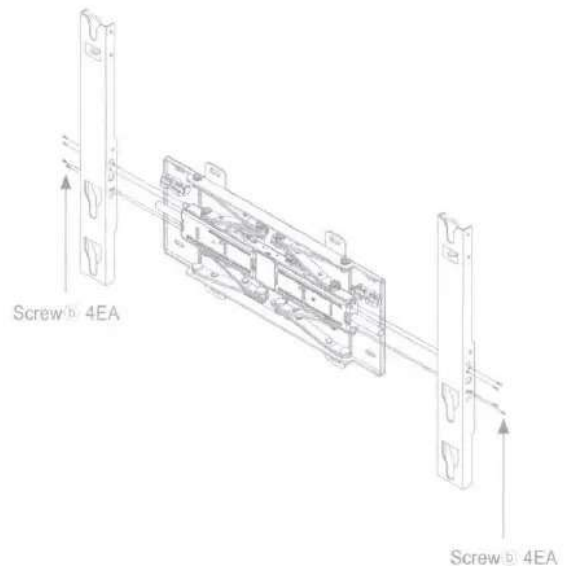
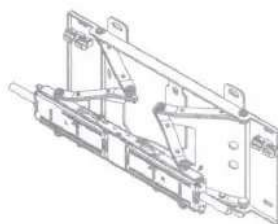
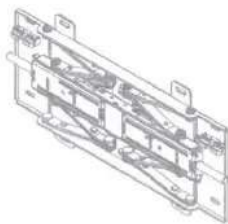


Match the angle adjustment bracket to the holes on the wall and tighten the screws ⓐ.

* Use the drill with the required size when making a hole in the wall. Be sure to follow the directions for the installation to avoid safety problems.

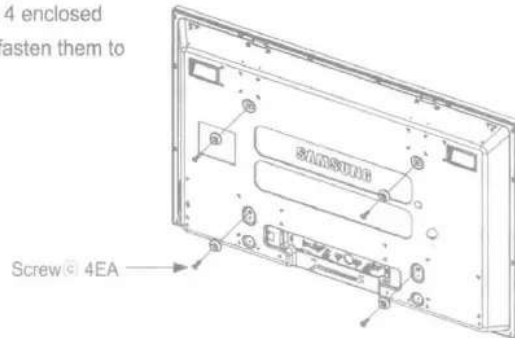
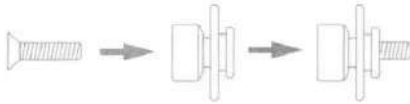
- ▲ Check the solidity of the wall before the installation. Strengthen the wall and install the bracket if the wall is not firm enough.
- ▲ The supplied screws and anchors are for installing on concrete walls.
- ▲ For the wall of plaster, marble, or steel, use the appropriate screws.

- 2** Securely fix the set to the wall. Pull the bracket forward and unfold it. Insert the bracket to the assigned area of the angle adjustment bracket and tighten the supplied 8 screws ⓑ. (Same for both left and right side)



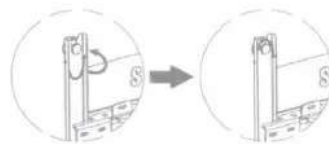
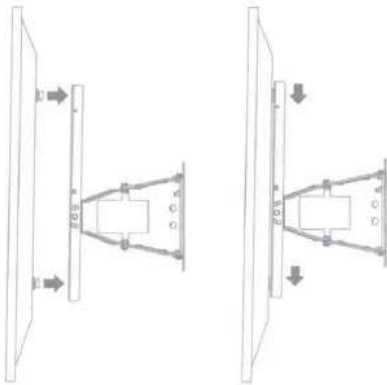
- 3** Remove the screws from the main body of the TV, assemble the 4 enclosed plastic hangers and screws as shown by the figure and firmly fasten them to the back of the main body of the TV.

[Slim, Normal TV] Use M8X35 screws.



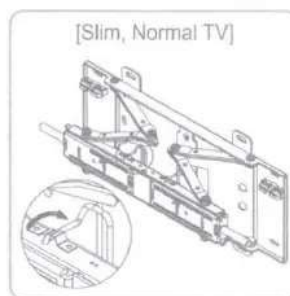
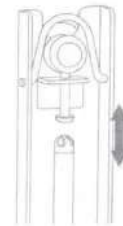
- ▲ Mount the product on the wall bracket. Be sure to check on the left and right side to see if it is properly fixed.
- ▲ Be careful when installing the product or adjusting the angle as fingers can be caught in the holes.
- ▲ Be sure the wall bracket is securely fixed to the wall. Falling down the product may cause physical damage.

- 4** Pull the wall bracket fixing part forward. Two people are required to install the product on the assigned area of the wall bracket.



- ▲ Install the TV set to the wall bracket and rotate the 2 safety pins on the upper part to fix.

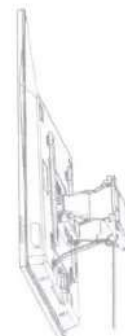
- ▲ You can keep the TV level using the height leveler.



- 5** For managing the power cord and other cables for peripheral equipments, bundle the wires by using the supplied wire fixing tool. Be sure the wires are not unbundled or came off when rotating or operating.

* Insert the cables and pull the angle adjustment bracket forward.

Arrange the wires by using the hole to avoid the interference with wires when rotating the set. Check the operation 2 ~ 3 times and fix the wall molding if it works properly.





Wall Bracket Angle Adjustment

- * The smooth moving mechanism is applied to this product to move the product smoothly for convenience.
- * Adjust the installation angle and then stick the TV close to the wall.



Do not adjust the angle with force. The product can be damaged if it is too close to touch the wall.

Hold the left and right side of the product when you want to adjust the left and right angle.

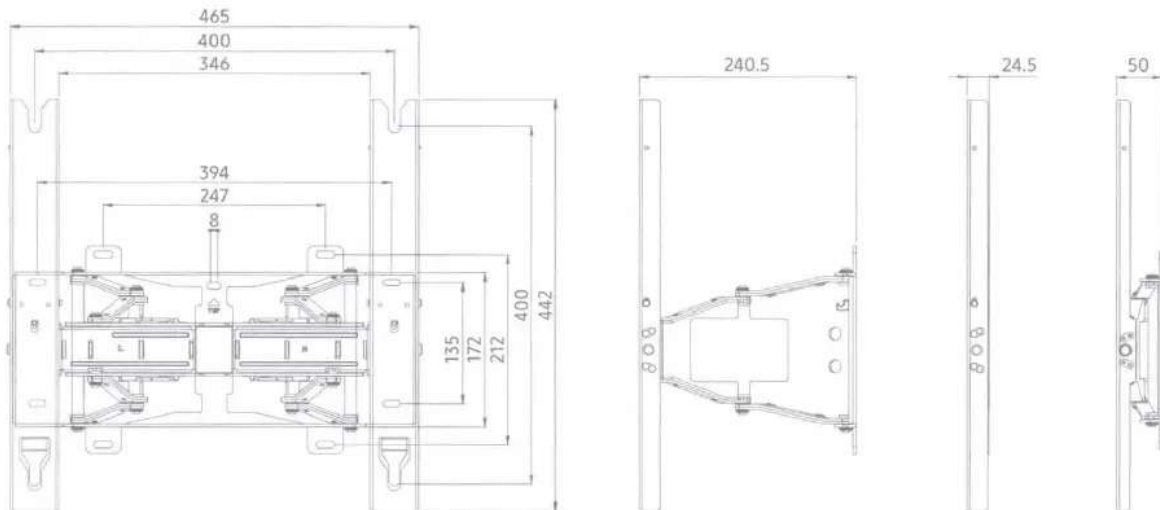
Hold the top center to adjust the down angle.

- * You can adjust the angle to left, and right side between $-20^{\circ} \sim 20^{\circ}$, to down side to $10^{\circ} \sim 15^{\circ}$.

The adjustable angle range may be vary depending on the model.



Product Specifications



Product Standards

Width (mm)	465
Height (mm)	442
Dept (mm)	24.5
Weight (Kg)	5.5
Bracket VESA Standard	400 X 300, 400 X 400

Information in this document is subject to change without notice.