

Refrigerator

Simple User manual

Free Standing Appliance

- In order to save valuable resources, we are reducing paper manuals and providing electronic user manuals that you can check on your smartphone or a website.
- For the instructions of how to use the product, please refer to the user manuals provided as QR code or the Samsung Electronics' website (<http://www.samsung.com/sec/>).
- For more information about the following things, visit the Samsung website (<http://www.samsung.com>), go to the Support section, and then search your model name.
 - How to minimize the energy consumption, additional tips for proper usage, operations, maintenance, refrigerator type, specifications (dimensions).

Viewing the user manuals

1. Launch a QR code reader app and then scan the QR image attached to the product.
2. Select a menu from the product registration, viewing the manuals, or connecting a service. When you select a manual, you can view the manual of your purchased product.

SAMSUNG



Contents

Safety information	3	Operations	13
Important safety precautions	4	Main panel	13
Instructions about the WEEE Safety Guide	8	SmartThings	14
	8		
Installation	10	Maintenance	16
Refrigerator at a glance	10	Cleaning	16
Clearance	11		
Step-by-step installation	12	Appendix	17
		Safety Instruction	17
		Install Instruction	17
		Temperature Instruction	17
		Information for model and ordering spare parts	19



Safety information

- R-600a or R-134a is used as a refrigerant. Check the compressor label on the rear of the appliance or the rating label inside the fridge to see which refrigerant is used for your appliance. When this product contains flammable gas (Refrigerant R-600a), contact your local authority in regard to safe disposal of this product.
- In order to avoid the creation of a flammable gas-air mixture if a leak in the refrigerating circuit occurs, the size of the room in which the appliance may be sited depends on the amount of refrigerant used.
- Never start up an appliance showing any signs of damage. If in doubt, consult your dealer. The room must be 1 m³ in size for every 8 g of R-600a refrigerant inside the appliance.
- To avoid contamination of food, please respect the following instructions:
 - Opening the door for long periods can cause a significant increase of the temperature in the compartments of the appliance.
 - Clean regularly surfaces that can come in contact with food and accessible drainage systems.
 - Clean water tanks if they have not been used for 48 h; flush the water system connected to a water supply if water has not been drawn for 5 days.
 - Store raw meat and fish in suitable containers in the refrigerator, so that it is not in contact with or drip onto other food.

- Two-star frozen-food compartments are suitable for storing pre-frozen food, storing or making icecream and making ice cubes.
 - One-, two- and three-star compartments are not suitable for the freezing of fresh food.
 - If the refrigerating appliance is left empty for long periods, switch off, defrost, clean, dry, and leave the door open to prevent mould developing within the appliance.
- Fill with potable water only.
 - Connect to potable water supply only.
 - Keep ventilation openings, in the appliance enclosure or in the built-in structure, clear of obstruction.
 - Do not use mechanical devices or any other means to accelerate the defrosting process, other than those recommended by the manufacturer.
 - Do not damage the refrigerant circuit.
 - Do not use electrical appliances inside the food storage compartments of the appliance, unless they are of the type recommended by the manufacturer.
 - This appliance is not intended for use by persons (including children) with reduced physical, sensory, or mental capabilities, or those who lack experience and knowledge, unless they have been given supervision or instruction concerning the use of the appliance by a person responsible for their safety.

Important safety precautions



Warning; Risk of fire / flammable materials

WARNING

- When positioning the appliance, ensure the supply cord is not trapped or damaged.
- Do not locate multiple portable socket-outlets or portable power supplies at the rear of the appliance.

- This appliance can be used by children aged from 8 years and above and persons with reduced physical, sensory or mental capabilities or lack of experience and knowledge if they have been given supervision or instruction concerning use of the appliance in a safe way and understand the hazards involved. Children shall not play with the appliance. Cleaning and user maintenance shall not be made by children without supervision. Children aged from 3 to 8 years are allowed to load and unload refrigerating appliances.
- If the supply cord is damaged, it must be replaced by the manufacturer, its service agent or similarly qualified persons in order to avoid a hazard.
- The socket must be easily accessible so that the appliance can be quickly disconnected from the supply in an emergency.
 - It must be outside the area of the rear of the appliance.
- Do not store explosive substances such as aerosol cans with a flammable propellant in this appliance.
- If the product is equipped with LED lamps, do not disassemble the Lamp Covers and LED lamps yourself.
 - Contact a Samsung service center.
 - Use only the LED Lamps provided by the manufacturer or its service agents.
- New hose-sets supplied with the appliance are to be used and old hose-sets should not be reused.
- Have the refrigerator's water supply connected only to a potable water supply. To operate the ice maker properly, water pressure of 206-861 kPa (30-125 psi) is required.
- For the most efficient use of energy, please keep the all inner fittings such as baskets, drawers, shelves on the position supplied by manufacturer.

- To get the best energy efficiency of this product, please leave all shelves, drawers and baskets on their original position.

This appliance is intended to be used in household and similar applications such as

- staff kitchen areas in shops, offices and other working environments;
- farm houses and by clients in hotels, motels and other residential type environments;
- bed and breakfast type environments;
- catering and similar non-retail applications.

⚠ WARNING

- This appliance contains a small amount of isobutane refrigerant (R-600a), a natural gas with high environmental compatibility that is, however, also combustible. When transporting and installing the appliance, care should be taken to ensure that no parts of the refrigerating circuit are damaged.
- Do not keep volatile or flammable objects or substances (benzene, thinner, propane gas, alcohol, ether, LP gas, and other such products) in the refrigerator.
 - This refrigerator is for storing food only.
 - This may result in fire or explosion.
- Fill the water tank, ice tray and water cubes only with potable water (mineral water or purified water).
 - Do not fill the tank with tea, juice or sports drink, this may damage the refrigerator.

- R-600a or R-134a is used as a refrigerant. Check the compressor label on the rear of the appliance or the rating label inside the fridge to see which refrigerant is used for your refrigerator. If this refrigerator contains flammable gas (Refrigerant R-600a), contact your local authority in regard to safe disposal of this product.
- When disposing of this refrigerator, remove the door/door seals and door latch so that small children or animals cannot become trapped inside. Children should be supervised to ensure that they do not play with the appliance. If trapped inside, a child may get hurt or suffocate to death.
 - If trapped inside, the child may become injury and suffocate to death.
- Cyclopentane is used in the insulation. The gases in the insulation material require a special disposal procedure. Please contact your local authorities in regard to the environmentally safe disposal of this product.
- The temperature of two star section (sections) or compartment (compartments) which have two star symbol (☆☆) is slightly higher than other freezer compartment (compartments). The two star section (sections) or compartment (compartments) is (are) based on the instruction and/or the condition as delivered.

Instructions about the WEEE



Correct Disposal of This Product
(Waste Electrical & Electronic
Equipment)

(Applicable in countries with separate
collection systems)

This marking on the product, accessories or literature indicates that the product and its electronic accessories (e.g. charger, headset, USB cable) should not be disposed of with other household waste at the end of their working life. To prevent possible harm to the environment or human health from uncontrolled waste disposal, please separate these items from other types of waste and recycle them responsibly to promote the sustainable reuse of material resources.

Household users should contact either the retailer where they purchased this product, or their local government office, for details of where and how they can take these items for environmentally safe recycling.

Business users should contact their supplier and check the terms and conditions of the purchase contract. This product and its electronic accessories should not be mixed with other commercial wastes for disposal.

For information on Samsung's environmental commitments and product regulatory obligations, e.g. REACH, WEEE or Batteries, visit our sustainability page available via www.samsung.com

(For products sold in European countries and in the UK only)

Safety Guide

READING ALL INSTRUCTIONS BEFORE USE

The following safety guidelines are intended to prevent unforeseen risks or damage from unsafe or incorrect operation of the appliance.

The guidelines are separated into 'WARNING' and 'CAUTION' as described below.

Safety Messages

This symbol is displayed to indicate matters and operations that can cause risk. Read the part with this symbol carefully and follow the instructions in order to avoid risk.

WARNING

This indicates that the failure to follow the instructions can cause serious injury or death.

CAUTION

This indicates that the failure to follow the instructions can cause the minor injury or damage to the product.

WARNING

To reduce the risk of explosion, fire, death, electric shock, injury or scalding to persons when using this product, follow basic precautions, including the following:

Installation

- This appliance should only be transported by two or more people holding the appliance securely.
- Install the appliance on a firm and level floor.
- Do not install the appliance in a damp and dusty place. Do not install or store the appliance in any outdoor area, or any area that is subject to weathering conditions such as direct sunlight, wind, rain, or temperatures below freezing.
- Do not place the appliance in direct sunlight or expose it to the heat from heating appliances such as stoves or heaters.
- Be careful not to expose the rear of the appliance when installing.
- Install the appliance in a place where it is easy to unplug the power plug of the appliance.
- Be careful not to let the appliance door fall during assembly or disassembly.

- Be careful not to pinch, crush, or damage the power cable during assembly or disassembly of the appliance door.
- Be careful not to point the power plug up or let the appliance lean against the power plug.
- Do not connect a plug adapter or other accessories to the power plug.
- Do not modify or extend the power cable.
- Ensure that the outlet socket is properly grounded, and that the earth pin on the power cord is not damaged or removed from the power plug. For more details on grounding, inquire at the Samsung Electronics service center.
- This appliance is equipped with a power cord having an equipment-grounding conductor and a grounding power plug. The power plug must be plugged into an appropriate outlet socket that is installed and grounded in accordance with all local codes and ordinances.
- Never start up an appliance showing any signs of damage. If in doubt, consult your dealer.
- Do not plug the appliance into a multi socket adapter which does not have a power cable (mounted).
- The appliance should be connected to a dedicated power line which is separately fused.
- Do not use a multi socket outlet which is not properly grounded (portable). In case of using a properly-grounded multi socket outlet (portable), use the multi socket outlet with the current capacity of the power cord rating or higher and use the multi socket outlet only for the appliance.
- Dispose of all packaging materials (such as plastic bags and styrofoam) away from children. The packaging materials can cause suffocation.

Operation

- Be careful of nearby children when you open or close the appliance door, The door may bump the child and cause injury.
- Avoid the danger of children getting trapped inside the appliance. A child trapped inside the appliance can cause suffocation.

⚠ CAUTION

To reduce the risk of minor injury to persons, malfunction, or damage to the product or property when using this product, follow basic precaution, including the following:

Operation

- Do not touch frozen food or the metal parts in the freezer compartment with wet or damp hands. It may cause frostbite.
- Do not place glass containers, bottles or cans (especially those containing carbonated drinks) in the freezer compartment, shelves or ice bin that will be exposed to temperatures below freezing,
- The tempered glass on the front side of the appliance door or the selves can be damaged by an impact. If it is broken. Do not touch it with hands.
- Do not hang from the appliance doors, storage room, shelf or climb up into it.
- Do not store an excessive amount of water bottles or containers for side dishes on the door baskets.
- Do not open or close the appliance door with excessive force.
- If the hinge of the appliance door is damaged or operates improperly, stop using the appliance and contact an authorized service centre.
- Prevent animals from nibbling on the power cable or water hose.
- Never eat frozen foods immediately after they have been taken out in the freezer compartment.
- Make sure not to get a hand or foot stuck upon opening or closing the appliance door or door in door.

Maintenance

- Do not clean glass shelves or covers with warm water when they are cold. They may shatter if exposed to sudden temperature changes.
- Do not insert the shelves upside down. The shelves may fall.
- To remove frost from the appliance, contact the Samsung Electronics service center.
- Dispose of the ice inside the ice bin in the freezer compartment during an extended power outage.

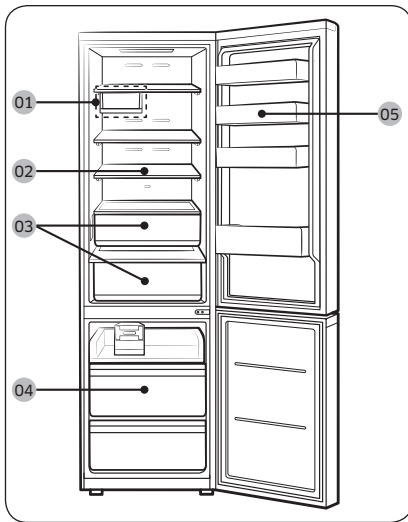


Installation

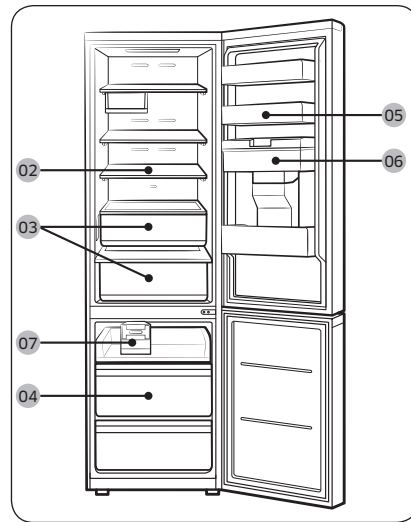
Refrigerator at a glance

The actual refrigerator and provided component parts of your refrigerator may differ from the illustrations in this manual, depending on the model and the country.

Normal type



Dispenser type



01 Multi tray *

02 Fridge shelf / Foldable shelf *

03 Vegetable Drawer *

04 Freezer drawer

05 Fridge door bin

06 Water tank **

07 Twist ice maker *

* applicable models only

** dispenser type models only

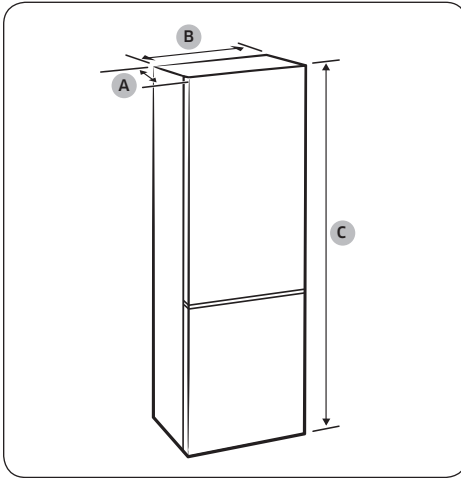
NOTE

- For best energy efficiency, make sure all of shelves, drawers, and baskets are placed in their original position.
- To get more space, you can remove all the drawers and locate the 'Freezer Shelf (applicable models only)' on the bottom drawer in freezer, since it does not affect thermal and mechanical characteristics. A declared storage volume of frozen food storage compartment is calculated with these drawers removed.



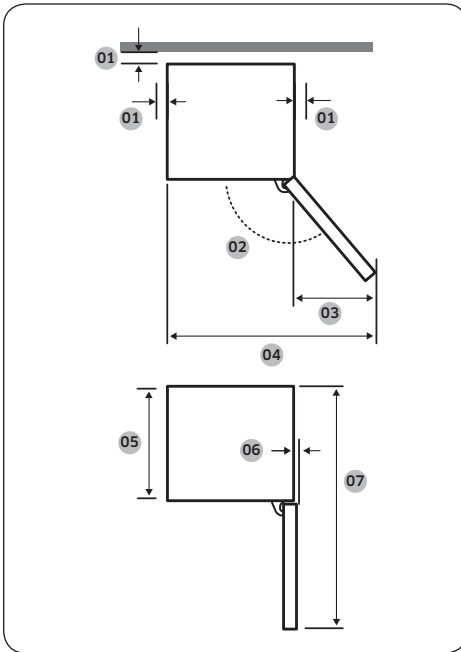
Clearance

See the following figures and tables for installation space requirements.



Model	RB45**	RB50**	RB53**
Depth "A"	711		
Width "B"	759		
Overall Height "C"	1780	1920	2030

(unit : mm)



01	more than 50 mm recommended
02	Fridge : 115°, Freezer : 120°
03	551
04	1151
05	626
06	32
07	1406

(unit : mm)

NOTE

The measurements in the table above may differ slightly from the actual measurements, depending on the measuring and rounding method.

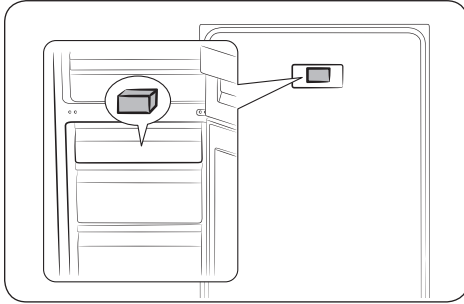


Step-by-step installation

STEP 1 Spacing (applicable models only)

NOTE

The number of provided spacers varies on the model. Attach all the provided spacers.



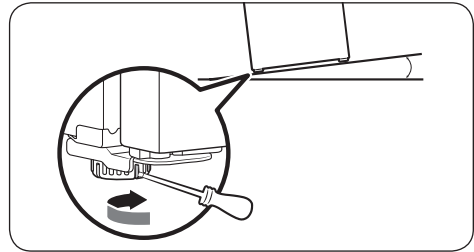
1. Open the door and locate the provided spacer (Gray block).
2. Unpack the spacer and attach it to the rear of the refrigerator as shown. They help ventilate air to the rear wall and save power consumption.

STEP 2 Adjust the levelling legs

CAUTION

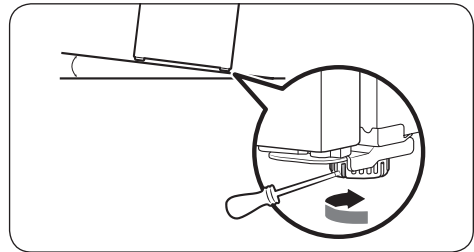
- The refrigerator must be levelled on a flat, solid floor. Failing to do so can cause damage to the refrigerator or physical injury.
- Levelling must be performed with an empty refrigerator. Make sure no food items remain inside the refrigerator.
- For safety reasons, adjust the front side a little higher than the rear side.

The refrigerator can be levelled using the front legs that have a special screw (leveller) for levelling purposes. Use a flat-head screwdriver for levelling.



To adjust the height of the left side:

Insert a flat-head screwdriver into the leveller of the front left leg. Turn the leveller clockwise to raise, or turn it anticlockwise to lower.



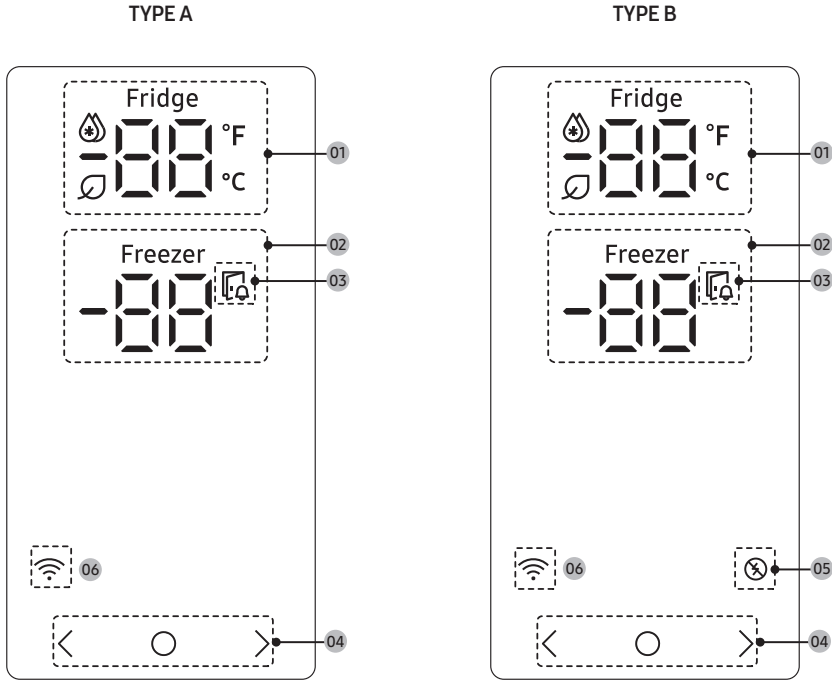
To adjust the height of the right side:

Insert a flat-head screwdriver into the leveller of the front right leg. Turn the leveller clockwise to raise, or turn it anticlockwise to lower.



Operations

Main panel



01 Fridge indicator	<ul style="list-style-type: none"> Displays the current or desired temperature of the fridge. ☾ indicates that the Power Cool function is on. The 🍃 icon appears if you turn on the AI Energy Mode in the SmartThings app. (applicable models only)
02 Freezer indicator	<ul style="list-style-type: none"> Displays the current or desired temperature of the freezer. ❄️ indicates that the Power Freeze function is on.
03 Door open indicator	This indicator blinks with an alarm if the door is left open for more than 2 minutes.
04 Buttons	<ul style="list-style-type: none"> When the display is off, tap any button to wake up the display. Use ○ to select the fridge or freezer and < or > to select the desired temperature or function for the selected compartment.



<p>05 Peak Demand indicator *</p>	<ul style="list-style-type: none"> • Displays the status of the Peak Demand function. • For more information on the Peak Demand function, see the user manual to visit the Samsung website.
<p>06 Network connection indicator</p>	<ul style="list-style-type: none"> • This icon indicates that the refrigerator is connected to a network. If the Wi-Fi icon flashes, we recommend connecting your refrigerator with the SmartThings app. You can control and monitor your refrigerator on the SmartThings app. For more information, see the SmartThings section.

 **NOTE**

If the door is left open for 5 minutes, internal light will blink for 5 minutes and turn off. This is to alert hearing-impaired users that a door is open. Note that this function is normal.

SmartThings

Installation

Visit the Google Play Store, Galaxy Apps, or Apple App Store and search for “SmartThings”. Download and install the SmartThings app provided by Samsung Electronics to your smart device.

 **NOTE**

- The supporting software version of the SmartThings app is subject to change according to the OS supporting policy the manufacturer provides. In addition, as for the SmartThings app or the functions that the app supports, the new application update policy on the existing OS version can be suspended due to usability or security reasons.
- The SmartThings app is subject to change without notice to improve usability or performance. As the mobile phone OS version is updated every year, the SmartThings is also updated continually according to the latest OS. If you have enquiries regarding the items mentioned above, please contact us on st.service@samsung.com
- Recommended encryption systems include WPA/TKIP and WPA2/AES. Any newer or non-standard Wi-Fi authentication protocols are not supported.
- Wireless networks may be affected by the surrounding wireless communication environment.
- If your Internet service provider has registered the MAC address of your PC or modem for identification, your Samsung Smart Refrigerator may fail to connect to the Internet. If this happens, contact your Internet service provider for technical assistance.
- The firewall settings of your network system may prevent your Samsung Smart Refrigerator from accessing the Internet. Contact your Internet service provider for technical assistance. If this symptom continues, contact a local Samsung service center or retailer.
- To configure the wireless access point (AP) settings, see the user manual of the AP (router).
- Samsung Smart Refrigerators support both Wi-Fi 2.4 GHz with IEEE 802.11 b/g/n and Soft-AP protocols. (IEEE 802.11 n is recommended.)
- Unauthorized Wi-Fi wireless routers may fail to connect to applicable Samsung Smart Refrigerators.



Samsung account

You are required to register your Samsung account to use the app. If you don't have a Samsung account, follow the app's onscreen instructions to create a free Samsung account.

Getting started

Turn on the device you want to connect, open the SmartThings app on your phone, and then follow the instructions below.

If a pop-up appears saying that a new device has been found, tap **ADD NOW**.

If a pop-up doesn't appear, tap the **+** button, and then select the device you want to connect from the list of available devices.

If your device isn't in the list of available devices, tap **Supported Devices**, select the device type (Refrigerator), and then select the specific device model.

Follow the instructions in the app to set up your device. Once setup is complete, your refrigerator will appear as a "card" on your **Devices** screen.

Refrigerator app

Integrated control

You can monitor and control your refrigerator at home and on the go.

- Tap the refrigerator icon on the SmartThings Dashboard or tap the Devices icon at the bottom of the Dashboard, and then tap the refrigerator "card" to open the Refrigerator page.
- Check the operation status or notifications related to your refrigerator, and then change options or settings if necessary.

NOTE

Some options or settings of the refrigerator may not be available for remote control.



Maintenance

Cleaning

Interior and exterior

WARNING

- Do not use benzene, thinner, home/car detergent, or Clorox™ to clean the refrigerator. They may damage the surface of the refrigerator and cause a fire.
- Do not spray water onto the refrigerator. This may cause electric shock.

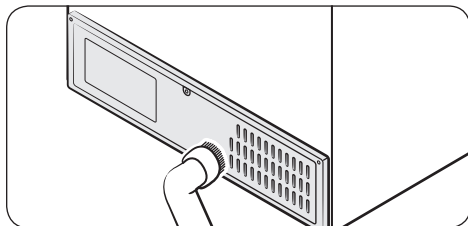
Regularly use a dry cloth to remove all foreign substances such as dust or water from the power plug terminals and contact points.

1. Unplug the power cord.
2. Use a moistened, soft, lint-free cloth or paper towel to clean the refrigerator's interior and exterior.
3. When done, use a dry cloth or paper towel to dry well.
4. Plug in the power cord.

Rubber seals

If the rubber seals of a door become dirty, the door may not close properly and reducing refrigerator performance and efficiency. Use a mild detergent and damp cloth to clean the rubber seals. Then, dry well with a cloth.

Rear panel



To keep cords and exposed parts of the rear panel free of dirt, vacuum the panel once or twice a year.

CAUTION

Do not remove the rear panel cover. Electric shock may occur.

LED Lamps

To replace the lamps of the refrigerator, contact a local Samsung service center.

WARNING

The lamps are not user-serviceable. Do not attempt to replace a lamp yourself. This can cause electric shock.

Lamp (Light Source)

This product contains a light source of energy efficiency class <G>.

The lamp(s) and/or control gear(s) are not user-serviceable. To replace the lamp(s) and/or control gear(s) in the product, contact a local Samsung service centre.

For detailed instructions on replacing lamp(s) or control gear(s) in your product, visit the Samsung website (<http://www.samsung.com>), go to Support > Support home, and then enter the model name.

For detailed instructions on dismantling lamp(s) and/or control gear(s), simply follow the replacement instruction reached as described above.

Open Source Announcement

The software included in this product contains open source software. You may obtain the complete corresponding source code for a period of three years after the last shipment of this product by contacting our support team via <http://opensource.samsung.com> (Please use the "Inquiry" menu.)

It is also possible to obtain the complete corresponding source code in a physical medium such as a CD-ROM; a minimal charge will be required.

The following URL http://opensource.samsung.com/opensource/COMMON_TZ6_0/seq/0 leads to the open source license information as related to this product. This offer is valid to anyone in receipt of this information.



Appendix

Safety Instruction

- For the most efficient use of energy, please keep the all inner fittings such as baskets, drawers, shelves and ice cube tray on the position supplied by manufacturer.
- This refrigerating appliance is not intended to be used as a built-in appliance.

Install Instruction

For refrigerating appliances with climate class

Depending on the climate class, This refrigerating appliance is intended to be used at ambient temperatures range as specified following table.

The climate class can be found on the rating plate. The product may not operate properly at temperatures outside of the specific range.

You can find climate class on label inside of your refrigerator

Effective temperature range

The refrigerator is designed to operate normally in the temperature range specified by its class rating.

Class	Symbol	Ambient Temperature range (°C)	
		IEC 62552 (ISO 15502)	ISO 8561
Extended Temperate	SN	+10 to +32	+10 to +32
Temperate	N	+16 to +32	+16 to +32
Subtropical	ST	+16 to +38	+18 to +38
Tropical	T	+16 to +43	+18 to +43

NOTE

The cooling performance and power consumption of the refrigerator may be affected by the ambient temperature, the door-opening frequency, and the location of the refrigerator. We recommend adjusting the temperature settings as appropriate.

Temperature Instruction

Recommended Temperature

The optimal temperature setting for food storage:

- Fridge: 3 °C
- Freezer: -19 °C

NOTE

The optimal temperature setting of each compartment depends on the ambient temperature. Above optimal temperature is based on the ambient temperature of 25 °C.

Power Cool

Power Cool speeds up the cooling process at maximum fan speed. The fridge keeps running at full speed for two and a half hours and then returns to the previous temperature.

Power Freeze

Power Freeze speeds up the freezing process at maximum fan speed. The freezer keeps running at full speed for 50 hours and then returns to the previous temperature. To freeze large amounts of food, activate Power Freeze for at least 20 hours before putting food in the freezer.

NOTE

When you use this function the energy consumption of the refrigerator will increase. Remember to turn it off when you don't need it and return the freezer to your original temperature setting.

How to store for best preservation (applicable models only)

Cover foods to retain moisture and prevent them from picking up odors from other foods. A large pot of food like soup or stew should be divided into small portions and put in shallow containers before being refrigerated. A large cut of meat or whole poultry should be divided into smaller pieces or placed in shallow containers before refrigerating.

Placement of Foods

Shelves	Shelves should be adjustable to accommodate a variety of packages.
Specialized compartment (applicable models only)	Sealed crisper drawers provide an optimal storage environment for fruits and vegetables. Vegetables require higher humidity conditions while fruits require lower humidity conditions. Crispers are equipped with controls devices to control the humidity level. (*Depending on model and options) An adjustable temperature meat drawer maximizes the storage time of meats and cheeses.
Stored on the door	Don't store perishable foods in the door. Eggs should be stored in the carton on a shelf. The temperature of the storage bins in the door fluctuate more than the temperature in the cabinet. Keep the door closed as much as possible.
Freezer Compartment	You can store frozen food, make ice cubes and freeze fresh food in the freezer compartment.

NOTE

Freeze fresh, undamaged food only. Keep food which is to be frozen away from food which is already frozen. To prevent food from losing its flavour or drying out, place in airtight containers.

Refrigerator & Freezer Storage Chart

The freshness longevity depends on temperature and exposure to moisture. Since product dates aren't a guide for safe use of a product, consult this chart and follow these tips.

Product		Refrigerator	Freezer
Milk products	Milk	1 week	1 month
	Butter	2 weeks	12 months
	Cream cheese	2 weeks	Not recommended
Meat	Fresh roasts, steaks, chops	3-4 days	2-3 months
	Sausage, Raw from pork, beef, turkey	1-2 days	1-2 months
Poultry / Eggs	Fresh poultry	2 days	6-8 months
	Eggs, Fresh in shell	2-4 weeks	Not recommended
Fish / Seafood	Fresh fish	1-2 days	3-6 months
	Dried or pickled fish	3-4 weeks	-
Fruits	Apples	1 month	-
	Other fresh fruit	3-5 days	9-12 months
Vegetables	Asparagus	2-3 days	-
	Broccoli, Brussels sprouts, green peas, mushrooms	3-5 days	-
	Cabbage, cauliflower, celery, cucumbers, lettuce	1 week	-
	Carrots, beets, radishes	2 weeks	-

Information for model and ordering spare parts

Model information

To access energy labelling information about this product on the European Product Registry for Energy Labelling (EPREL), scan QR-Code on the energy label.

You can find QR-Code on the energy label in your product box.

Part information

- The minimum period during which spare parts, necessary for the repair of the appliance, are available
 - 7 Years thermostats, temperature sensors, printed circuit boards and light sources, door handles, door hinges, trays, baskets (boxes or drawers)
 - 10 Years door gaskets
- The minimum duration of the guarantee of the refrigerating appliance offered by the manufacturer 24 Months.
- Relevant information for ordering spare parts, directly or through other channels provided by the manufacturer, importer or authorized representative
- You can find professional repair information on <http://samsung.com/support>.
You can find user servicing manual on <http://samsung.com/support>.

NOTE

Hereby, Samsung declares that this radio equipment is in compliance with Directive 2014/53/EU and with the relevant statutory requirements in the UK.

The full text of the EU declaration of conformity and the UK declaration of conformity is available at the following internet address: The official Declaration of conformity may be found at <http://www.samsung.com>, go to Support > Search Product Support and enter the model name.

	Frequency range	Transmitter power (Max)
Wi-Fi	2412 - 2472 MHz	20 dBm
Bluetooth	2402 - 2480 MHz	20 dBm

Contact SAMSUNG WORLD WIDE

If you have any questions or comments relating to Samsung products, please contact the SAMSUNG customer care centre.

Country	Contact Center	Web Site
FRANCE	01 48 63 00 00	www.samsung.com/fr/support
GERMANY	06196 77 555 77	www.samsung.com/de/support
LUXEMBURG	261 03 710	www.samsung.com/be_fr/support
NETHERLANDS	088 90 90 100	www.samsung.com/nl/support
BELGIUM	02-201-24-18	www.samsung.com/be/support (Dutch) www.samsung.com/be_fr/support (French)
NORWAY	21629099	www.samsung.com/no/support
DENMARK	707 019 70	www.samsung.com/dk/support
FINLAND	030-6227 515	www.samsung.com/fi/support
SWEDEN	0771-400 300	www.samsung.com/se/support
CYPRUS	8009 4000 only from landline, toll free	www.samsung.com/gr/support
GREECE	80111-SAMSUNG (80111 726 7864) only from land line (+30) 210 6897691 from mobile and land line	
ITALIA	800-SAMSUNG (800.7267864)	www.samsung.com/it/support
PORTUGAL	210 608 098 Chamada para a rede fixa nacional Dias úteis das 9h às 20h	www.samsung.com/pt/support
SPAIN	91 175 00 15	www.samsung.com/es/support



DA68-04780Q-00

Réfrigérateur

Manuel d'utilisation simple

Appareil non encastrable

- Afin d'économiser des ressources précieuses, nous réduisons le nombre de manuels papier et nous fournissons des manuels d'utilisation électroniques que vous pouvez consulter sur votre smartphone ou sur un site Web.
- Pour savoir comment utiliser le produit, reportez-vous aux manuels d'utilisation consultables par code QR ou sur le site Web de Samsung Electronics (<http://www.samsung.com/sec/>).
- Pour en savoir plus sur les points suivants, rendez-vous sur le site Web de Samsung (<http://www.samsung.com>), allez dans Support (Assistance), puis recherchez le nom de votre modèle.
 - Mesures pour réduire la consommation d'énergie, conseils complémentaires pour une utilisation appropriée, opérations, entretien, type de réfrigérateur, spécifications (dimensions).

Affichage des manuels d'utilisation

1. Lancez l'application de lecteur de code QR puis scannez l'image QR fournie avec le produit.
2. Sélectionnez un menu dans l'enregistrement de produit pour afficher les manuels ou connecter un service. Lorsque vous sélectionnez un manuel, vous pouvez afficher le manuel de votre produit acheté.

SAMSUNG



Sommaire

Consignes de sécurité	3	Opérations	14
Mesures importantes de sécurité	4	Panneau principal	14
Instructions concernant la réglementation DEEE	8	SmartThings	15
Guide de sécurité	8		
Installation	10	Entretien	17
Présentation rapide du réfrigérateur	10	Nettoyage	17
Dégagement	11		
Étiquette de température (modèles applicables uniquement)	12	Annexe	18
Installation étape par étape	13	Consignes de sécurité	18
		Consignes d'installation	18
		Consignes relatives à la température	18
		Informations du modèle et commande de pièces de rechange	20



Consignes de sécurité

- Le gaz réfrigérant utilisé est le R-600a ou R-134a. Vérifiez le gaz réfrigérant utilisé dans votre appareil sur l'étiquette du compresseur située à l'arrière de l'appareil ou sur l'étiquette signalétique située à l'intérieur du réfrigérateur. Lorsque cet appareil contient du gaz inflammable (gaz réfrigérant R-600a), veuillez contacter les autorités locales pour obtenir des renseignements sur la mise au rebut en toute sécurité de votre appareil.
- Afin d'éviter la création d'un mélange gaz-air inflammable lorsqu'une fuite se produit dans le circuit frigorifique, la taille de la pièce dans laquelle l'appareil peut être installé dépend de la quantité de gaz réfrigérant utilisée.
- Ne démarrez jamais un appareil qui présente des signes d'endommagement. En cas de doutes, contactez votre revendeur. La pièce doit avoir un volume de 1 m³ pour chaque 8 g de gaz réfrigérant R-600a à l'intérieur de l'appareil.
- Pour éviter de contaminer les aliments, veuillez respecter les instructions suivantes :
 - Ouvrir la porte pendant de longues périodes peut entraîner une hausse considérable de la température dans les compartiments de l'appareil.
 - Nettoyez régulièrement les surfaces pouvant entrer en contact avec des aliments et les systèmes de vidange accessibles.
 - Nettoyez les réservoirs d'eau s'ils n'ont pas été utilisés depuis 48 h ; rincez le système d'alimentation en eau si vous n'avez pas tiré d'eau depuis 5 jours.
 - Placez la viande crue et le poisson dans des récipients adaptés à l'intérieur du réfrigérateur afin qu'ils n'entrent pas en contact avec d'autres aliments ou qu'ils ne gouttent pas dessus.

- Les compartiments à deux étoiles pour aliments surgelés sont adaptés pour stocker des aliments pré-congelés, pour ranger ou faire de la glace et pour créer des glaçons.
 - Les compartiments à une, deux et trois étoiles ne sont pas adaptés pour congeler des aliments frais.
 - Si l'appareil de réfrigération est laissé vide pendant de longues périodes, mettez-le hors tension, faites-le dégivrer, nettoyez-le, laissez-le sécher et maintenez la porte ouverte afin d'éviter que des moisissures ne se développent à l'intérieur de l'appareil.
- Ne placez pas plusieurs prises portables ou alimentations électriques portables à l'arrière de l'appareil.
 - Remplissez l'appareil d'eau potable uniquement.
 - Raccordez-le à une source d'eau potable uniquement.
 - N'obstruez pas les ouvertures de ventilation à l'intérieur du réfrigérateur ou de la structure encastrée.
 - N'utilisez pas d'appareil mécanique ni de dispositif susceptible d'accélérer le processus de décongélation, autres que ceux recommandés par le fabricant.
 - N'endommagez pas le circuit frigorifique.
 - N'utilisez pas d'appareils électriques à l'intérieur des compartiments de stockage des aliments de l'appareil, sauf si cela est recommandé par le fabricant.

Mesures importantes de sécurité



**Avertissement ;
risque d'incendie /
matières
inflammables**

AVERTISSEMENT

- Lorsque vous positionnez l'appareil, assurez-vous que le cordon d'alimentation n'est ni endommagé, ni coincé.

- Cet appareil n'est pas conçu pour être utilisé par des personnes (y compris des enfants) ayant des capacités physiques, sensorielles ou mentales réduites, ou ayant un manque d'expérience et de connaissances, à moins qu'elles soient surveillées ou qu'elles aient reçu les instructions nécessaires concernant l'utilisation de cet appareil de la part d'une personne responsable de leur sécurité.
- Cet appareil n'est pas destiné à être utilisé par des enfants de moins de 8 ans ou des personnes ayant des capacités physiques, sensorielles ou mentales réduites, ou un manque d'expérience et de connaissances, à moins qu'elles soient surveillées ou qu'elles aient reçu les instructions nécessaires concernant l'utilisation en toute sécurité de cet appareil et qu'elles comprennent les risques impliqués. Les enfants ne doivent pas jouer avec l'appareil. Le nettoyage et la maintenance de l'appareil ne doivent pas être effectués par des enfants sans surveillance. Les enfants de 3 à 8 ans sont autorisés à charger et décharger les appareils de réfrigération.
- Si le cordon d'alimentation est endommagé, il doit être remplacé par le fabricant, son fournisseur de service ou toute autre personne aux qualifications similaires afin d'éviter tout risque.
- La prise de courant doit être facilement accessible de sorte que vous puissiez rapidement débrancher l'appareil de l'alimentation en cas d'urgence.
 - Elle doit se situer en dehors de la zone arrière de l'appareil.
- Dans cet appareil, ne stockez pas de substances explosives telles que des aérosols avec un propulseur inflammable.
- Si l'appareil est équipé d'ampoules DEL, ne démontez pas vous-même les caches d'ampoules et les ampoules.
 - Contactez un centre de service Samsung.
 - Utilisez uniquement les ampoules DEL fournies par le fabricant ou son réparateur agréé.
- Vous devez utiliser les tuyaux neufs fournis avec l'appareil et ne pas réutiliser les anciens.

- Raccordez l'arrivée d'eau du réfrigérateur uniquement sur une source d'eau potable. Pour permettre le bon fonctionnement de la machine à glaçons, la pression de l'eau doit être comprise entre 206 et 861 kPa (30 et 125 psi).
- Pour une utilisation optimale de l'énergie, veuillez laisser tous les accessoires internes tels que les paniers, les tiroirs, les clayettes sur leur position indiquée par le fabricant.
- Pour optimiser la consommation d'énergie de cet appareil, laissez l'ensemble des clayettes, tiroirs et bacs dans leur position d'origine.

Cet appareil est destiné à être utilisé dans les applications domestiques et similaires telles que :

- les zones de cuisine pour le personnel de magasins, de bureaux et d'autres environnements de travail ;
- les fermes et clients d'hôtels, motels et autres environnements de type résidentiel ;
- les environnements de type « chambres d'hôtes » ;
- les applications de restauration et similaires sans vente au détail.

⚠ AVERTISSEMENT

- Cet appareil contient une faible quantité de réfrigérant isobutane (R-600a), un gaz naturel présentant une compatibilité écologique élevée, mais étant également un combustible. Veillez à ce qu'aucune pièce du circuit frigorifique ne soit endommagée pendant le transport ou l'installation de l'appareil.
- Ne stockez pas d'objets ou de substances volatiles ou inflammables (benzène, diluant, propane, alcool, éther, GPL et toute autre substance similaire) dans le réfrigérateur.
 - Le réfrigérateur a été conçu exclusivement pour le rangement de produits alimentaires.
 - Cela pourrait entraîner un incendie ou une explosion.
- Remplissez le réservoir d'eau et le bac à glaçons avec de l'eau potable uniquement (eau minérale ou eau purifiée).
 - Ne remplissez pas le réservoir avec du thé, du jus de fruits ou des boissons énergisantes car cela risquerait d'endommager le réfrigérateur.

- Le gaz réfrigérant utilisé est le R-600a ou R-134a. Vérifiez le gaz réfrigérant utilisé dans votre réfrigérateur sur l'étiquette du compresseur située à l'arrière de l'appareil ou sur l'étiquette signalétique située à l'intérieur du réfrigérateur. Si ce réfrigérateur contient du gaz inflammable (gaz réfrigérant R-600a), veuillez prendre contact avec les autorités locales pour obtenir des renseignements sur la mise au rebut en toute sécurité de votre appareil.
- Lors de la mise au rebut de ce réfrigérateur, retirez la porte/ les joints de porte ainsi que le loquet de la porte afin que des petits enfants ou des animaux ne puissent pas se retrouver enfermés à l'intérieur. Il est nécessaire de surveiller les enfants pour s'assurer qu'ils ne jouent pas avec l'appareil. Un enfant risquerait de se retrouver emprisonné à l'intérieur, de se blesser ou de s'asphyxier.
 - Les enfants risqueraient de se retrouver emprisonnés à l'intérieur, de se blesser et de s'asphyxier.
- Du cyclopentane est utilisé comme isolant. Les gaz utilisés pour l'isolation nécessitent une procédure d'élimination spéciale. Pour savoir comment mettre cet appareil au rebut dans le respect de l'environnement, veuillez contacter les autorités locales.
- La température de la/des parties à deux étoiles ou du/des compartiments qui possèdent le symbole deux étoiles (***) est légèrement plus élevée que celle de l'autre/des autres compartiments du congélateur. La/Les parties ou le/les compartiments à deux étoiles sont basé(e)s sur les instructions et/ou l'état lors de la livraison.



Instructions concernant la réglementation DEEE



Les bons gestes de mise au rebut de ce produit (Déchets d'équipements électriques et électroniques)

(Applicable aux pays disposant de systèmes de collecte séparés)

Ce symbole sur le produit, ses accessoires ou sa documentation indique que ni le produit, ni ses accessoires électroniques usagés (chargeur, casque audio, câble USB, etc.) ne peuvent être jetés avec les autres déchets ménagers. La mise au rebut incontrôlée des déchets présentant des risques environnementaux et de santé publique, veuillez séparer vos produits et accessoires usagés des autres déchets. Vous favoriserez ainsi le recyclage de la matière qui les compose dans le cadre d'un développement durable.

Les particuliers sont invités à contacter le magasin leur ayant vendu le produit ou à se renseigner auprès des autorités locales pour connaître les procédures et les points de collecte de ces produits en vue de leur recyclage.

Les entreprises et particuliers sont invités à contacter leurs fournisseurs et à consulter les conditions de leur contrat de vente. Ce produit et ses accessoires ne peuvent être jetés avec les autres déchets.

Pour plus d'informations sur les engagements de Samsung en matière d'environnement et les obligations légales relatives à l'appareil (par exemple, la directive REACH ou celles portant sur les DEEE et les batteries), consultez notre page relative au développement durable accessible via www.samsung.com.

(Uniquement pour les appareils commercialisés dans les pays européens et au Royaume-Uni)

Guide de sécurité

LIRE TOUTES LES INSTRUCTIONS AVANT D'UTILISER LE PRODUIT

Les consignes de sécurité suivantes ont pour but d'éviter les risques ou dommages imprévus résultant d'une utilisation dangereuse ou incorrecte de l'appareil.

Les consignes de sécurité sont divisées en catégories « **AVERTISSEMENT** » et « **ATTENTION** » comme décrit ci-dessous.

Messages de sécurité

Ce symbole s'affiche pour indiquer des problèmes ou opérations comportant un risque. Lisez attentivement la section signalée par ce symbole et suivez les instructions pour éviter tout risque.

AVERTISSEMENT

Indique que le non-respect de ces instructions peut entraîner des blessures graves voire la mort.

ATTENTION

Indique que le non-respect de ces instructions peut entraîner des blessures mineures ou l'endommagement du produit.

AVERTISSEMENT

Pour réduire le risque d'explosion, d'incendie, de mort, de choc électrique, de blessure ou de brûlure corporelle lors de l'utilisation de ce produit, suivez les précautions de base, y compris les précautions suivantes :

Installation

- Cet appareil doit uniquement être transporté par deux ou plusieurs personnes tenant l'appareil en toute sécurité.
- Installez l'appareil sur un sol ferme et plat.
- N'installez pas l'appareil dans un endroit humide et poussiéreux. N'installez pas et ne stockez pas l'appareil à l'extérieur ou dans un endroit exposé aux conditions météorologiques telles que la lumière directe du soleil, le vent, la pluie ou les températures négatives.
- N'installez pas l'appareil à la lumière directe du soleil ou à proximité d'une source de chaleur, telle qu'une cuisinière ou un appareil de chauffage.
- Faites attention à ne pas exposer l'arrière de l'appareil lors de l'installation.
- Installez l'appareil dans un endroit où il est facile de débrancher la fiche d'alimentation de l'appareil.

- Faites attention à ce que la porte de l'appareil ne tombe pas pendant le montage ou le démontage.
- Faites attention à ne pas coincer, écraser ou endommager le câble d'alimentation pendant le montage ou le démontage de la porte de l'appareil.
- Faites attention à ne pas diriger le câble d'alimentation vers le haut ou à laisser l'appareil s'appuyer sur le câble d'alimentation.
- Ne connectez pas d'adaptateur de prise ou d'autres accessoires sur la fiche d'alimentation.
- Ne modifiez pas et ne rallongez pas le câble d'alimentation.
- Assurez-vous que la prise de courant est correctement reliée à la terre et que la broche de terre sur le câble d'alimentation n'est pas endommagée ou retirée de la fiche d'alimentation. Pour en savoir plus sur la mise à la terre, adressez-vous au centre de service Samsung Electronics.
- L'appareil est équipé d'un câble d'alimentation doté d'un conducteur de terre et d'une fiche de terre. La fiche d'alimentation doit être branchée sur une prise de courant appropriée installée et mise à la terre conformément à toutes les réglementations et ordonnances locales.
- Ne démarrez jamais un appareil qui présente des signes d'endommagement. En cas de doutes, contactez votre revendeur.
- Ne branchez pas l'appareil sur un adaptateur multiprise qui n'a pas de câble d'alimentation (monté).
- L'appareil doit être connecté à une ligne électrique dédiée ayant un fusible séparé.
- N'utilisez pas de multiprise qui n'est pas correctement mise à la terre (portable). Lorsque vous utilisez une multiprise correctement mise à la terre (portable), utilisez la multiprise avec la capacité de courant du câble d'alimentation ou une capacité supérieure et utilisez la multiprise uniquement pour l'appareil.
- Veillez à ce que tous les matériaux d'emballage (tels que les sacs en plastique et le polystyrène) soient hors de portée des enfants. Les matériaux d'emballage peuvent entraîner une asphyxie.

Fonctionnement

- Faites attention aux enfants qui se trouvent à proximité lorsque vous ouvrez ou fermez la porte de l'appareil. La porte peut heurter un enfant et le blesser.
- Évitez que les enfants ne se retrouvent emprisonnés à l'intérieur. Un enfant enfermé à l'intérieur de l'appareil risque de s'asphyxier.

⚠ ATTENTION

Pour réduire le risque de blessures corporelles mineures, de dysfonctionnement ou de dommage du produit ou des biens lors de l'utilisation du produit, y compris :

Fonctionnement

- Ne touchez pas les aliments congelés ou les parties métalliques dans le compartiment du congélateur avec des mains mouillées ou humides. Cela pourrait provoquer des gelures.
- Ne placez pas de récipients en verre, de bouteilles ou de canettes (en particulier celles contenant des boissons gazeuses) dans le compartiment congélateur, sur les clayettes ou dans la machine à glaçons qui seront exposés à des températures négatives.
- Le verre trempé sur le côté avant de la porte de l'appareil ou les clayettes peuvent être endommagés par un impact. En cas de bris, ne touchez pas le verre avec vos mains.
- Ne vous suspendez pas aux portes de l'appareil, au compartiment de stockage ou aux clayettes et ne grimpez pas dessus.
- Ne stockez pas de quantité excessive de bouteilles d'eau ou de récipients pour accompagnements dans les paniers de la porte.
- N'ouvrez et ne fermez pas la porte de l'appareil avec une force excessive.
- Si la charnière de la porte de l'appareil est endommagée ou ne fonctionne pas correctement, arrêtez d'utiliser l'appareil et contactez un centre de service autorisé.
- Empêchez les animaux de grignoter le câble d'alimentation ou le tuyau d'eau.
- Ne mangez jamais des aliments congelés immédiatement après les avoir sortis du compartiment congélateur.
- Assurez-vous de ne pas coincer une main ou un pied lors de l'ouverture ou la fermeture de la porte de l'appareil.

Entretien

- Ne nettoyez pas les caches ou les clayettes en verre avec de l'eau tiède lorsqu'ils sont froids. Ils risquent de se casser s'ils sont exposés à des variations soudaines de température.
- N'insérez pas les clayettes à l'envers. Les clayettes peuvent tomber.
- Pour retirer du givre de l'appareil, contactez le centre de service Samsung Electronics.
- Jetez les glaçons à l'intérieur de la machine à glaçons du compartiment congélateur pendant une coupure de courant prolongée.

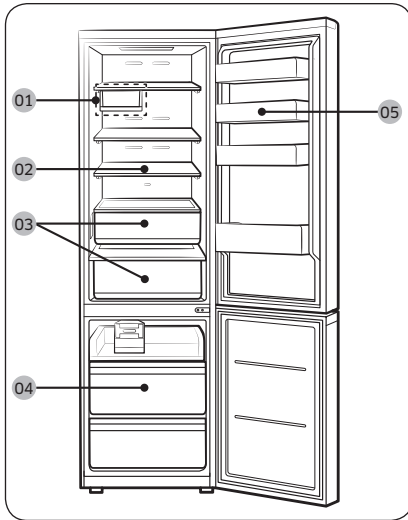


Installation

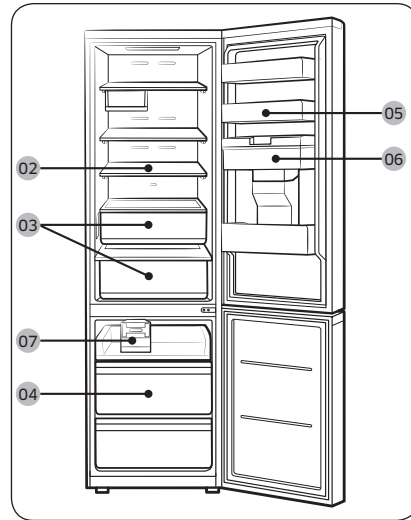
Présentation rapide du réfrigérateur

L'apparence réelle du réfrigérateur et les composants fournis avec votre réfrigérateur peuvent différer des illustrations présentes dans ce manuel, en fonction du modèle et du pays.

Type normal



Type à distributeur



01 Bac multi-usages *

02 Clayette du réfrigérateur / clayette
pliante *

03 Tiroir à légumes *

04 Tiroir du congélateur

05 Bac de la porte du réfrigérateur

06 Réservoir d'eau **

07 Machine à glaçons à fond
amovible *

* Modèles applicables uniquement

** Modèles avec distributeur uniquement

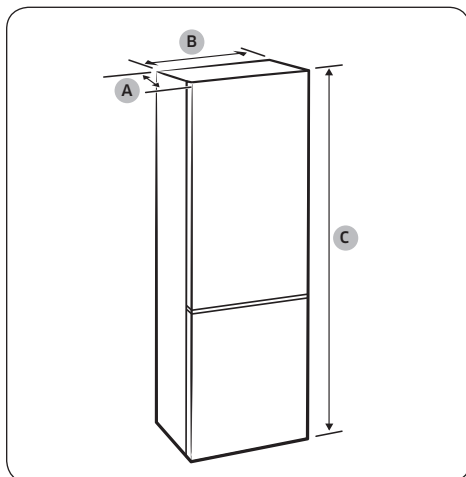
REMARQUE

- Pour une efficacité énergétique optimale, veillez à ce que l'ensemble des clayettes, des tiroirs et des paniers soient placés dans leur position d'origine.
- Pour obtenir plus de place, vous pouvez retirer tous les tiroirs et placer la « Clayette du congélateur » (modèles applicables uniquement) sur le tiroir inférieur du congélateur, car cela n'affecte pas les caractéristiques thermiques et mécaniques de l'appareil. Le volume de stockage nominal du compartiment d'aliments surgelés est calculé sans ces tiroirs.



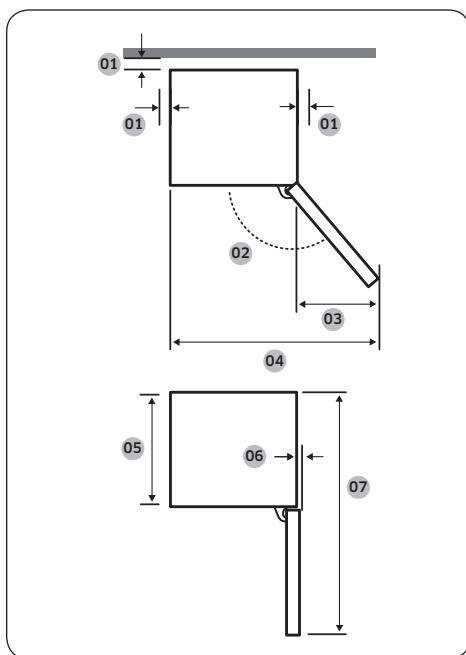
Dégagement

Pour connaître les exigences en matière d'espace d'installation, reportez-vous aux illustrations et tableaux suivants.



Modèle	RB45**	RB50**	RB53**
Profondeur « A »	711		
Largeur « B »	759		
Hauteur totale « C »	1780	1920	2030

(unité : mm)



01	Recommandation : supérieur à 50 mm
02	Réfrigérateur : 115°, congélateur : 120°
03	551
04	1151
05	626
06	32
07	1406

(unité : mm)

REMARQUE

Les mesures indiquées dans le tableau ci-dessus peuvent légèrement varier des mesures réelles, en fonction de la méthode de mesure et d'arrondissement des résultats.

Étiquette de température (modèles applicables uniquement)

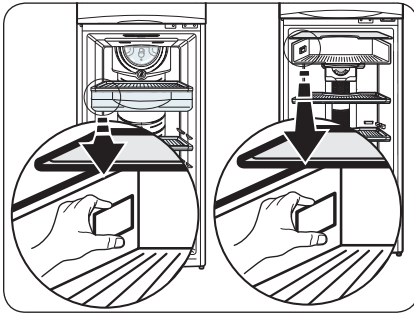
Pour un réglage optimal de la température, le réfrigérateur est fourni avec une étiquette de température (fournie avec le guide d'utilisation) afin de vous permettre de contrôler la température moyenne dans la zone la plus froide. Si l'étiquette de température n'est pas fournie, veuillez en réclamer une à votre distributeur.

Reportez-vous aux illustrations suivantes pour fixer l'étiquette de température.

REMARQUE

L'utilisation de l'étiquette de température est destinée à ce réfrigérateur uniquement. Ne l'utilisez pas avec un autre réfrigérateur ou pour d'autres fins.

Fixation de l'étiquette de température à l'intérieur du réfrigérateur



Vérifiez que la paroi de l'appareil est propre et sèche, puis fixez l'étiquette de température comme illustré sur la figure.

Contrôle de la température dans la zone la plus froide

Une fois l'étiquette de température fixée, vous pouvez procéder à des contrôles réguliers pour vous assurer que la température dans la zone la plus froide est correcte et, si nécessaire, pour régler le thermostat tel qu'indiqué dans le guide d'utilisation.

La température intérieure du réfrigérateur dépend de nombreux facteurs tels que la température ambiante de la pièce, de la quantité d'aliments stockés et du nombre d'ouvertures de la porte. Ces facteurs doivent être pris en compte lors du réglage de l'appareil.



- A. Réglage correct
- B. Température trop élevée, réglez le thermostat

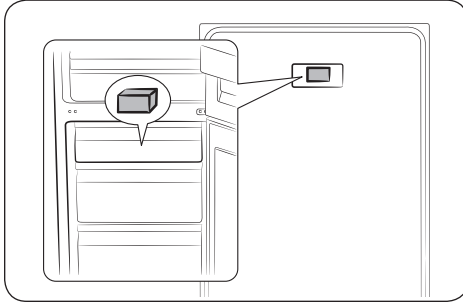
Pour maintenir une température correcte à l'intérieur de l'appareil, assurez-vous que l'étiquette de température est toujours bleue. Si l'étiquette de température devient blanche, la température est trop élevée. Dans ce cas, baissez le réglage du thermostat et patientez 12 heures avant de vérifier à nouveau l'étiquette de température. Lorsque des aliments frais sont entreposés, ou lorsque la porte reste ouverte pendant une certaine durée, il est normal que l'étiquette devienne blanche.

Installation étape par étape

ÉTAPE 1 Espacement (modèles applicables uniquement)

REMARQUE

Le nombre d'entretoises fournies varie en fonction du modèle. Installez toutes les entretoises fournies.



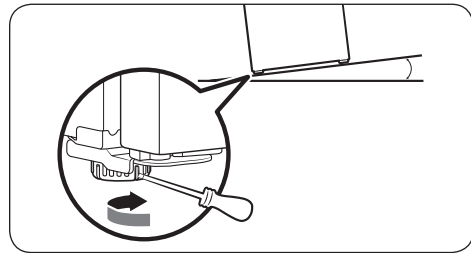
1. Ouvrez la porte et repérez l'entretoise fournie (bloc gris).
2. Déballiez l'entretoise et fixez-la à l'arrière du réfrigérateur comme indiqué. Elles permettent d'aérer la paroi arrière et d'économiser l'énergie.

ÉTAPE 2 Réglage des pieds de mise à niveau

⚠ ATTENTION

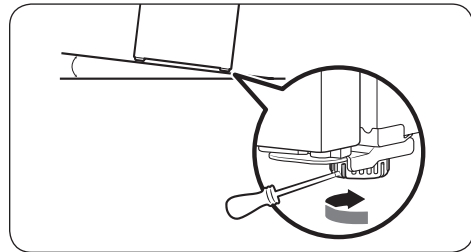
- Le réfrigérateur doit être mis de niveau sur un sol plat et solide. Le non-respect de cette consigne peut entraîner l'endommagement du réfrigérateur ou des blessures corporelles.
- Pour mettre le réfrigérateur de niveau, ce dernier doit être vide. Assurez-vous qu'il ne reste aucun aliment à l'intérieur du réfrigérateur.
- Pour des raisons de sécurité, le côté avant doit être légèrement plus élevé que le côté arrière.

Le réfrigérateur peut être mis de niveau à l'aide des pieds avant qui disposent d'une vis spéciale (vis de mise à niveau) permettant de mettre le réfrigérateur de niveau. Utilisez un tournevis à tête plate pour mettre l'appareil de niveau.



Pour ajuster la hauteur côté gauche :

Insérez un tournevis à tête plate dans la vis de mise à niveau du pied avant gauche. Faites-la tourner dans le sens horaire pour le remonter ou dans le sens antihoraire pour l'abaisser.

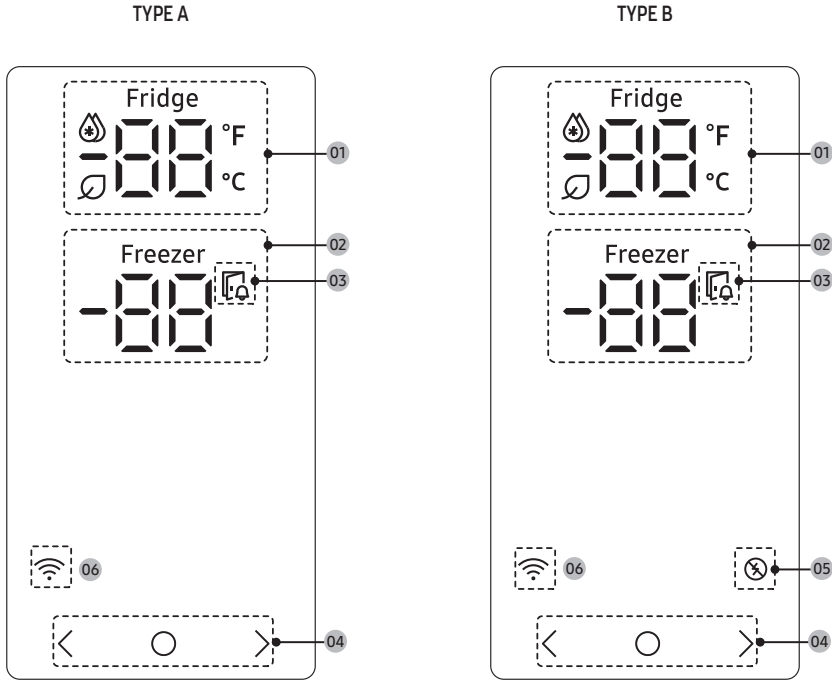


Pour ajuster la hauteur côté droit :

Insérez un tournevis à tête plate dans la vis de mise à niveau du pied avant droit. Faites-la tourner dans le sens horaire pour le remonter ou dans le sens antihoraire pour l'abaisser.

Opérations

Panneau principal



01 Indicateur du réfrigérateur	<ul style="list-style-type: none"> Affiche la température actuelle ou souhaitée du réfrigérateur. 🌡️ indique que la fonction Refroidissement rapide est activée. L'icône 🌿 apparaît si vous activez l'AI Energy Mode sur l'application SmartThings. (modèles applicables uniquement)
02 Indicateur du congélateur	<ul style="list-style-type: none"> Affiche la température actuelle ou souhaitée du congélateur. ❄️ indique que la fonction Congélation rapide est activée.
03 Indicateur d'ouverture de la porte	Cet indicateur clignote accompagné d'une alarme si la porte est laissée ouverte pendant plus de 2 minutes.
04 Boutons	<ul style="list-style-type: none"> Lorsque l'écran est éteint, appuyez sur n'importe quel bouton pour le rallumer. Utilisez le bouton ○ pour sélectionner le réfrigérateur ou le congélateur et le bouton < ou > pour sélectionner la température ou la fonction souhaitée pour le compartiment sélectionné.

05 Voyant de la fonction Demande de pointe *	<ul style="list-style-type: none"> • Il affiche le statut de la fonction Demande de pointe. • Pour en savoir plus sur la fonction Demande de pointe, reportez-vous au manuel d'utilisation pour consulter le site Web de Samsung.
06 Voyant de connexion au réseau	<ul style="list-style-type: none"> • Cette icône indique que le réfrigérateur est connecté à un réseau. Si l'icône de connexion Wi-Fi clignote, nous vous recommandons de connecter votre réfrigérateur à l'aide de l'application SmartThings. Vous pouvez commander et surveiller votre réfrigérateur sur l'application SmartThings. Pour en savoir plus, reportez-vous à la section SmartThings.

REMARQUE

Si la porte est laissée ouverte pendant 5 minutes, l'éclairage intérieur clignote pendant 5 minutes puis s'éteint. Le but est d'indiquer aux utilisateurs malentendants qu'une porte est ouverte. Veuillez noter que ce comportement de l'appareil est tout à fait normal.

SmartThings

Installation

Rendez-vous sur Google Play Store, Galaxy Apps ou Apple App Store et recherchez « SmartThings ». Téléchargez et installez l'application SmartThings fournie par Samsung Electronics sur votre appareil intelligent.

REMARQUE

- La version du logiciel de soutien de l'application SmartThings est soumise à modifications en fonction de la politique de prise en charge du système d'exploitation fournie par le fabricant. En outre, comme pour l'application SmartThings ou les fonctions prises en charge par l'application, la nouvelle politique de mise à jour de l'application sur la version existante du système d'exploitation est susceptible d'être suspendue pour des raisons d'utilité ou de sécurité.
- L'application SmartThings est soumise à modification sans préavis pour en améliorer l'utilisation ou les performances. Étant donné que la version du système d'exploitation du téléphone portable est mise à jour chaque année, l'application SmartThings est également mise à jour en permanence en fonction du dernier système d'exploitation. Pour toute question concernant les éléments mentionnés ci-dessus, veuillez nous contacter à l'adresse st.service@samsung.com
- Les systèmes de codage recommandés incluent WPA/TKIP et WPA2/AES. Tous les protocoles d'authentification par connexion Wi-Fi plus récents ou non standard ne sont pas pris en charge.
- Les réseaux sans fil peuvent être affectés par l'environnement de communication sans fil autour.
- Si votre fournisseur de services Internet a enregistré l'adresse MAC de votre ordinateur ou de votre modem à des fins d'identification, il est possible que votre réfrigérateur intelligent Samsung ne parvienne pas à se connecter à Internet. Si c'est le cas, prenez contact avec votre fournisseur de services Internet pour bénéficier d'une assistance technique.
- Les paramètres de pare-feu de votre système réseau peuvent empêcher votre réfrigérateur intelligent Samsung d'accéder à Internet. Prenez contact avec votre fournisseur de services Internet pour bénéficier d'une assistance technique. Si ce symptôme persiste, prenez contact avec un centre de service Samsung local ou un revendeur.
- Pour configurer les paramètres du point d'accès sans fil, reportez-vous au manuel d'utilisation du point d'accès (routeur).
- Les réfrigérateurs intelligents Samsung prennent en charge la connexion Wi-Fi 2,4 GHz avec les protocoles IEEE 802.11 b/g/n et Soft-AP. (Le protocole IEEE 802.11 n est recommandé.)
- Les routeurs Wi-Fi sans fil non autorisés peuvent ne pas parvenir à se connecter aux réfrigérateurs intelligents Samsung applicables.



Compte Samsung

Vous devez créer votre compte Samsung pour pouvoir utiliser l'application. Si vous n'avez pas de compte Samsung, suivez les instructions affichées sur l'écran de l'application pour créer un compte Samsung gratuit.

Pour commencer

Allumez l'appareil que vous souhaitez connecter, ouvrez l'application SmartThings sur votre téléphone, puis suivez les instructions ci-dessous.

Si une fenêtre contextuelle apparaît en indiquant qu'un nouvel appareil a été détecté, appuyez sur **ADD NOW (AJOUTER MAINTENANT)**.

En l'absence de fenêtre contextuelle, appuyez sur le bouton **+**, puis sélectionnez l'appareil que vous souhaitez connecter dans la liste des appareils disponibles.

Si votre appareil ne figure pas dans la liste des appareils disponibles, appuyez sur **Supported Devices (Appareils pris en charge)**, sélectionnez le type d'appareil, à savoir (Réfrigérateur) et sélectionnez le modèle d'appareil spécifique.

Pour configurer votre appareil, suivez les instructions affichées dans l'application. Une fois la configuration terminée, votre réfrigérateur apparaît sous forme de « carte » sur l'écran de vos **Devices (Appareils)**.

Application Réfrigérateur

Commande intégrée

Vous pouvez surveiller et contrôler votre réfrigérateur chez vous et lorsque vous êtes en déplacement.

- Appuyez sur l'icône du réfrigérateur sur le Tableau de bord SmartThings, ou appuyez sur l'icône Devices (Appareils) en bas du Tableau de bord, puis appuyez sur la « carte » du réfrigérateur pour ouvrir la page Réfrigérateur.
- Vérifiez l'état de fonctionnement ou l'absence de notifications relatives à votre réfrigérateur, puis modifiez des options ou réglages si nécessaire.



REMARQUE

Certaines options ou certains réglages du réfrigérateur peuvent ne pas être disponibles pour la commande à distance.



Entretien

Nettoyage

Intérieur et extérieur

AVERTISSEMENT

- N'utilisez pas de benzène, de diluant, de nettoyant domestique/pour voiture ou d'eau de Javel (Clorox™) pour le nettoyage du réfrigérateur. Ces produits risquent d'endommager la surface du réfrigérateur et de provoquer un incendie.
- Évitez de vaporiser de l'eau directement sur le réfrigérateur. Risque d'électrocution.

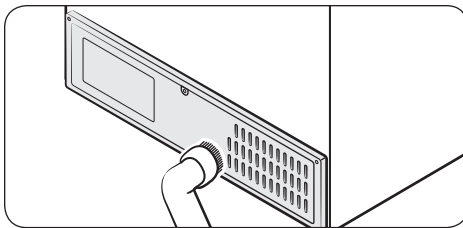
À l'aide d'un chiffon sec, retirez régulièrement tous les corps étrangers, tels que la poussière ou l'eau, au niveau des broches de la fiche d'alimentation et des points de contact.

1. Débranchez le cordon d'alimentation.
2. Utilisez un chiffon doux non pelucheux humidifié ou une serviette en papier pour nettoyer l'intérieur et l'extérieur du réfrigérateur.
3. Ensuite, utilisez un chiffon sec ou une serviette en papier pour bien sécher les surfaces.
4. Branchez le cordon d'alimentation.

Joint en caoutchouc

Si les joints en caoutchouc d'une porte deviennent sales, la porte risque de ne pas se fermer correctement ce qui risque alors de réduire les performances et l'efficacité du réfrigérateur. Utilisez un nettoyant doux et un chiffon humide pour nettoyer les joints en caoutchouc. Ensuite, séchez-les bien avec un chiffon.

Panneau arrière



Pour maintenir la propreté des cordons et des pièces exposées du panneau arrière, passez un coup d'aspirateur sur le panneau une ou deux fois par an.

ATTENTION

Ne retirez pas le cache du panneau arrière. Il existe un risque d'électrocution.

Ampoules DEL

Pour changer les ampoules du réfrigérateur, contactez un centre de service Samsung local.

AVERTISSEMENT

Les ampoules ne peuvent pas être remplacées par l'utilisateur. N'essayez pas de remplacer une ampoule par vous-même. Risque d'électrocution.

Ampoule (source de lumière)

Cet appareil contient une source de lumière dont la classe d'efficacité énergétique est <G>.

La ou les ampoule(s) et/ou le ou les mécanisme(s) de commande ne peuvent pas être remplacé(e)(s) par l'utilisateur. Pour changer la ou les ampoule(s) et/ou le ou les mécanisme(s) de commande de l'appareil, contactez votre centre de service Samsung local.

Pour obtenir les instructions détaillées de remplacement pour la ou les ampoule(s) ou pour le ou les mécanisme(s) de commande de votre appareil, rendez-vous sur le site Internet de Samsung (<http://www.samsung.com>), allez dans Support (Assistance) > Support (Assistance) sur la page d'accueil, puis saisissez le nom du modèle.

Pour obtenir les instructions détaillées de démontage pour la ou les ampoule(s) et/ou pour le ou les mécanisme(s) de commande, suivez simplement les instructions de remplacement fournies, tel que décrit ci-dessus.

Annnonce de logiciel open source

Le logiciel inclus dans cet appareil contient un logiciel libre. Vous pouvez obtenir le code source complet correspondant pendant une période de trois ans après la sortie de la dernière version de cet appareil en adressant contactant notre équipe d'assistance sur <http://opensource.samsung.com>. (Veuillez utiliser le menu « Inquiry » (Requête).)

Il est également possible d'obtenir le code source complet correspondant sur un support physique tel qu'un CD-ROM ; un coût minimal sera requis.

L'URL suivante http://opensource.samsung.com/opensource/COMMON_TZ6_0/seq/0 renvoie aux informations concernant la licence libre relative à cet appareil. Cette offre est valable pour quiconque ayant reçu cette information.



Annexe

Consignes de sécurité

- Pour garantir l'utilisation la plus optimale de l'énergie, veuillez laisser tous les accessoires internes tels que les paniers, les tiroirs, les clayettes et le bac à glaçons sur leur position indiquée par le fabricant.
- Cet appareil de réfrigération n'est pas destiné à être utilisé comme appareil encastré.

Consignes d'installation

Pour les appareils de réfrigération avec classe climatique

Selon la classe climatique, cet appareil de réfrigération est destiné à être utilisé dans une plage de températures ambiantes telle que spécifiée dans le tableau suivant.

La classe climatique figure sur la plaque signalétique. L'appareil peut ne pas fonctionner correctement s'il est utilisé à des températures situées en dehors de la plage spécifiée.

La classe climatique figure sur l'étiquette apposée à l'intérieur de votre réfrigérateur.

Plage de températures efficace

Le réfrigérateur a été conçu pour un fonctionnement normal dans la plage de températures spécifiée par sa classe énergétique nominale.

Classe	Symbole	Plage de températures ambiantes (°C)	
		IEC 62552 (ISO 15502)	ISO 8561
Climat tempéré étendu	SN	+10 à +32	+10 à +32
Tempéré	N	+16 à +32	+16 à +32
Subtropical	ST	+16 à +38	+18 à +38
Tropical	T	+16 à +43	+18 à +43

REMARQUE

Les performances de refroidissement et la consommation électrique du réfrigérateur peuvent être affectées par la température ambiante, la fréquence d'ouverture de la porte et l'emplacement du réfrigérateur. Nous vous recommandons de régler la température comme approprié.

Consignes relatives à la température

Température recommandée

Réglage de température optimal pour le stockage d'aliments :

- Réfrigérateur : 3 °C
- Congélateur : -19 °C

REMARQUE

La température optimale de chaque compartiment dépend de la température ambiante. La température optimale ci-dessus a été déterminée pour une température ambiante de 25 °C.



Refroidissement rapide

La fonction Refroidissement rapide accélère le processus de refroidissement (ventilateur à vitesse maximale). Le réfrigérateur continue de fonctionner à vitesse maximale pendant deux heures et demie, avant de revenir à la température précédente.

Congélation rapide

La fonction Congélation rapide accélère le processus de congélation avec le ventilateur à vitesse maximale. Le congélateur fonctionne à vitesse maximale durant 50 heures avant de revenir à la température précédente. Pour congeler une grande quantité d'aliments, activez la fonction Congélation rapide au moins 20 heures avant de placer les aliments dans le congélateur.

REMARQUE

Lorsque vous utilisez cette fonction, la consommation d'énergie du réfrigérateur augmente. N'oubliez pas de la désactiver lorsque vous n'en avez plus besoin et de régler à nouveau la température d'origine.

Conseils de stockage pour une préservation optimale (modèles applicables uniquement)

Recouvrez les aliments afin de conserver leur humidité et éviter qu'ils ne récupèrent les odeurs des autres aliments. Pour une grande casserole contenant des aliments tels que de la soupe ou un ragoût, veuillez répartir son contenu en plusieurs portions plus petites que vous mettrez dans des récipients peu profonds avant de les mettre au réfrigérateur. Pour un gros morceau de viande ou un poulet entier, veuillez le couper en morceaux de plus petite taille ou le placer dans des récipients peu profonds avant de le mettre au réfrigérateur.

Positionnement des aliments

Clayettes	Les clayettes sont réglables afin de pouvoir les adapter aux divers emballages.
Compartiment spécialisé (modèles applicables uniquement)	Les tiroirs à légumes étanches offrent un environnement de stockage optimal pour les fruits et légumes. Les légumes requièrent un taux d'humidité élevé tandis que les fruits ont besoin d'un faible taux d'humidité. Les tiroirs à légumes sont équipés de dispositifs de contrôle permettant de réguler le taux d'humidité. (*Selon le modèle et les options disponibles) Un tiroir à viande à température réglable optimise le temps de stockage des viandes et fromages.
Stockage dans la porte	Ne stockez pas les denrées périssables dans la porte. Les œufs doivent être stockés dans leur emballage en carton sur une clayette. La température des bacs de stockage de la porte fluctue davantage que celle dans le compartiment. Maintenez la porte fermée le plus possible.
Compartiment du congélateur	Vous pouvez stocker des aliments surgelés, faire des glaçons et congeler des aliments frais dans le compartiment du congélateur.

REMARQUE

Congelez uniquement des aliments frais et non abîmés. Conservez les aliments devant être congelés loin des aliments déjà congelés. Pour prévenir la perte de saveur ou le séchage des aliments, placez-les dans des récipients hermétiques.

Tableau des périodes de stockage au réfrigérateur et au congélateur

La durabilité de la fraîcheur des aliments dépend de la température et de l'exposition à l'humidité. Étant donné que les dates des produits n'indiquent pas comment utiliser les produits en toute sécurité, reportez-vous à ce tableau et suivez les conseils qui y figurent.

Produit		Réfrigérateur	Congélateur
Produits laitiers	Lait	1 semaine	1 mois
	Beurre	2 semaines	12 mois
	Fromage à la crème	2 semaines	Non recommandé
Viande	Rôtis frais, steaks frais, côtelettes fraîches	3 à 4 jours	2 à 3 mois
	Saucisses, viande crue de porc, bœuf, dinde	1 à 2 jours	1 à 2 mois
Volaille / Œufs	Viande de volaille fraîche	2 jours	6 à 8 mois
	Œufs, frais dans leur coquille	2 à 4 semaines	Non recommandé
Poisson / Fruits de la mer	Poisson frais	1 à 2 jours	3 à 6 mois
	Poisson séché ou mariné	3 à 4 semaines	-
Fruits	Pommes	1 mois	-
	Autres fruits frais	3 à 5 jours	9 à 12 mois
Légumes	Asperges	2 à 3 jours	-
	Brocoli, chou de Bruxelles, petits pois, champignons	3 à 5 jours	-
	Chou, chou-fleur, céleri, concombre, laitue	1 semaine	-
	Carottes, betteraves, radis	2 semaines	-

Informations du modèle et commande de pièces de rechange

Informations du modèle

Pour accéder aux informations relatives à l'étiquetage énergétique de cet appareil sur le Registre européen des produits pour l'étiquetage énergétique (EPREL), scannez le code QR figurant sur l'étiquette énergétique.

Le code QR se trouve sur l'étiquette énergétique apposée sur l'emballage de votre appareil.

Informations sur les pièces

- Période minimale de disponibilité des pièces de rechange nécessaires à la réparation de l'appareil
 - 7 ans pour les thermostats, capteurs de température, cartes de circuit imprimé et sources d'éclairage, poignées de porte, charnières de porte, bacs, paniers (boîtes ou tiroirs)
 - 10 ans pour les joints de porte
- La période minimale de garantie fournie par le fabricant pour l'appareil de réfrigération est de 24 mois.
- Informations pertinentes pour commander des pièces de rechange, directement ou via d'autres intermédiaires proposés par le fabricant, l'importateur ou le représentant agréé
- Vous trouverez des informations pour une réparation par des professionnels sur le site Internet <http://samsung.com/support>.
Vous trouverez le manuel de réparation pour l'utilisateur sur le site Internet <http://samsung.com/support>.

Mémo

Mémo

Mémo

REMARQUE

Par la présente, Samsung déclare que cet équipement radio est conforme à la Directive 2014/53/UE et aux exigences légales pertinentes en vigueur au Royaume-Uni.

L'intégralité du texte de la déclaration de conformité de l'UE et de la déclaration de conformité du Royaume-Uni est accessible via l'URL suivante : La déclaration de conformité officielle est accessible à l'adresse <http://www.samsung.com>, en cliquant sur Support (Assistance) > Search Product Support (Obtenir une assistance produits), puis en saisissant le nom du modèle.

	Plage de fréquences	Puissance de l'émetteur (maximale)
Connexion Wi-Fi	2412 à 2472 MHz	20 dBm
Connexion Bluetooth	2402 à 2480 MHz	20 dBm

Contactez SAMSUNG WORLD WIDE

Si vous avez des questions ou des commentaires sur les appareils Samsung, veuillez contacter le centre d'assistance clientèle SAMSUNG.

Pays	Centre d'appels	Site Internet
FRANCE	01 48 63 00 00	www.samsung.com/fr/support
GERMANY	06196 77 555 77	www.samsung.com/de/support
LUXEMBURG	261 03 710	www.samsung.com/be_fr/support
NETHERLANDS	088 90 90 100	www.samsung.com/nl/support
BELGIUM	02-201-24-18	www.samsung.com/be/support (Dutch) www.samsung.com/be_fr/support (French)
NORWAY	21629099	www.samsung.com/no/support
DENMARK	707 019 70	www.samsung.com/dk/support
FINLAND	030-6227 515	www.samsung.com/fi/support
SWEDEN	0771-400 300	www.samsung.com/se/support
CYPRUS	8009 4000 only from landline, toll free	www.samsung.com/gr/support
GREECE	80111-SAMSUNG (80111 726 7864) only from land line (+30) 210 6897691 from mobile and land line	
ITALIA	800-SAMSUNG (800.7267864)	www.samsung.com/it/support
PORTUGAL	210 608 098 Chamada para a rede fixa nacional Dias úteis das 9h às 20h	www.samsung.com/pt/support
SPAIN	91175 0015	www.samsung.com/es/support



DA68-04780Q-00

Frigorifero

Manuale semplice dell'utente

Apparecchio a libera installazione

- Per risparmiare preziose risorse, stiamo riducendo i manuali cartacei e forniamo sempre più manuali dell'utente elettronici che possano essere consultabili mediante uno smartphone o un sito web.
- Per le istruzioni su come utilizzare il prodotto, fare riferimento ai manuali dell'utente forniti mediante codice QR o il sito web di Samsung Electronic (<http://www.samsung.com/sec/>).
- Per maggiori informazioni sui seguenti, visitare il sito web Samsung (<http://www.samsung.com>), accedere alla sezione Supporto e cercare il nome del modello.
 - Come ridurre al minimo il consumo energetico, ulteriori suggerimenti per un uso corretto, uso corretto, manutenzione, tipo di frigorifero, specifiche (dimensioni).

Visualizzare i manuali dell'utente

1. Avviare un lettore di codici QR ed eseguire la scansione dell'immagine del codice QR fissata al prodotto.
2. Selezionare un menu dalla registrazione del prodotto, visualizzare i manuali o connettersi ad un servizio. Durante la selezione di un manuale, è possibile visualizzare il manuale del prodotto acquistato.

SAMSUNG

Sommario

Informazioni di sicurezza	3	Manutenzione	16
Importanti istruzioni di sicurezza	4	Pulizia	16
Istruzioni su WEEE	8		
Guida alla sicurezza	8	Appendice	17
Installazione	10	Istruzioni di sicurezza	17
Il frigorifero in breve	10	Istruzioni di installazione	17
Spazio	11	Istruzioni sulla temperatura	17
Passaggi di installazione	12	Informazioni sul modello e l'ordinazione di parti di ricambio	19
Funzionamento	13		
Pannello principale	13		
SmartThings	14		

Informazioni di sicurezza

- Come refrigerante vengono utilizzati i gas R-600a o R-134a. Controllare l'etichetta del compressore sul retro dell'apparecchio e l'etichetta della potenza nominale all'interno del frigorifero per individuare il tipo di refrigerante utilizzato. Se il prodotto contiene gas infiammabile (refrigerante R-600a), contattare l'ente locale preposto per lo smaltimento sicuro di questo prodotto.
- Per evitare la possibile formazione di una miscela di aria e gas infiammabile, in caso di una perdita nel circuito di raffreddamento, la dimensione del locale in cui viene installato il prodotto deve essere adeguata alla quantità di refrigerante utilizzato.
- Non attivare mai un apparecchio che mostri chiari segni di danni. In caso di dubbi, consultare il rivenditore. La dimensione del locale dovrebbe essere calcolata considerando 1 m³ di spazio per ogni 8 g di refrigerante R-600a contenuto nell'apparecchio.
- Al fine di evitare una contaminazione dei cibi, rispettare le seguenti istruzioni:
 - L'apertura per lunghi periodi di tempo della porta può provocare un significativo innalzamento della temperatura interna.
 - Pulire regolarmente la superficie interna che entra a contatto con i cibi ed i sistemi di scolo accessibili.
 - Pulire i serbatoi dell'acqua qualora non vengano utilizzati per 48 ore; azionare i sistemi di erogazione dell'acqua collegati alle tubazioni di mandata qualora non vengano utilizzati per 5 giorni..
 - Conservare la carne ed il pesce in idonei contenitori all'interno del frigorifero, così che non possano colare liquidi o possano entrare in contatto con altri cibi.

- Gli scomparti a due stelle per il congelamento dei cibi sono idonei alla conservazione di cibi pre-congelati, la conservazione o produzione di gelati e la formazione o conservazione di cubetti di ghiaccio.
 - Gli scomparti a una, due o tre stelle non sono idonei per il congelamento di cibi freschi.
 - Se il frigorifero viene lasciato vuoto per lunghi periodi di tempo, spegnerlo, scongelarlo, pulirlo ed asciugarlo lasciando la porta aperta al fine di prevenire la formazione di muffa al suo interno.
- Riempire solo con acqua potabile.
 - Collegare solo alla tubazione dell'acqua potabile.
 - Mantenere libere le aperture predisposte nella struttura di montaggio o nel mobile a incasso per la ventilazione dell'apparecchio.
 - Per accelerare il processo di sbrinamento, non utilizzare dispositivi meccanici o altri mezzi diversi da quelli consigliati dal costruttore.
 - Non danneggiare il circuito refrigerante.
 - Non usare apparecchi elettrici all'interno dei compartimenti di conservazione del cibo, a meno che non siano consigliati dal costruttore.
 - Questo apparecchio non è inteso per l'uso da parte di persone (bambini inclusi) che abbiano ridotte capacità fisiche, sensoriali o mentali, o siano prive di esperienza o conoscenza, a meno che siano state fornite loro istruzioni per l'uso da parte di una persona responsabile della loro sicurezza o che sovrintenda all'uso dell'apparecchio.

Importanti istruzioni di sicurezza



Avvertenza; Rischio di incendio / materiali infiammabili

AVVERTENZA

- Nel posizionare l'apparecchio, assicurarsi che il cavo di alimentazione non sia impigliato o danneggiato.
- Non posizionare multiprese o alimentatori portatili sul retro dell'apparecchio.

- Questo apparecchio può essere utilizzato da bambini di età superiore agli 8 anni e da persone con ridotte capacità fisiche, sensoriali o mentali o senza esperienza o conoscenza del prodotto solo sotto la supervisione di una persona responsabile o nel caso in cui abbiano ricevuto informazioni specifiche sull'uso sicuro dell'apparecchio e ne abbiano compreso i rischi ad esso associati. Non consentire ai bambini di giocare con l'apparecchio. La pulizia e la manutenzione dell'apparecchio non devono essere eseguite da bambini senza la supervisione di un adulto. L'inserimento e l'estrazione del cibo nel frigorifero è consentito ai bambini tra i 3 e gli 8 anni.
- Se il cavo di alimentazione è danneggiato, richiederne la sostituzione al produttore, a un tecnico dell'assistenza o un tecnico specializzato al fine di evitare potenziali pericoli
- La presa deve essere sempre facilmente accessibile in modo da poter rapidamente scollegare l'apparecchio dalla corrente elettrica in caso di una emergenza.
 - Deve essere situata al di fuori dell'area posteriore del frigorifero.
- Non conservare sostanze potenzialmente esplosive, come bombolette spray contenenti gas infiammabili, all'interno di questo apparecchio.
- Se il prodotto è dotato di lampadine LED, non disassemblare l'insieme coprilampada/lampada LED autonomamente.
 - Contattare un Centro di assistenza Samsung.
 - Utilizzare solo lampade LED fornite dal costruttore o dal centro assistenza.
- Utilizzare il nuovo set di tubi fornito in dotazione eliminando il precedente set senza riutilizzarlo.

- Collegare la mandata dell'acqua solo ad una sorgente di acqua potabile. Perché la macchina del ghiaccio funzioni correttamente la pressione dell'acqua deve essere compresa tra 206 e 861 kPa (30-125 psi).
- Per i migliori risultati in termini di efficienza energetica, tenere tutti gli accessori interni quali cestelli, cassette e ripiani nella posizione indicata dal costruttore.
- Perché questo prodotto mantenga la migliore efficienza energetica, lasciare tutti i ripiani, i cassette e i cestelli nella loro posizione originaria.

Questo apparecchio è progettato per un uso domestico o applicazioni simili quali

- angoli cottura per il personale di punti vendita, uffici e altri ambienti lavorativi;
- fattorie/aziende agricole e per l'uso dei clienti in hotel, motel e altri ambiti residenziali;
- ambienti di tipo bed and breakfast;
- catering e applicazioni simili non-retail.

⚠ AVVERTENZA

- Questo apparecchio contiene, come refrigerante, una minima quantità di isobutano (R-600a), il quale, nonostante sia un gas naturale a basso impatto ambientale, è comunque combustibile. Durante il trasporto e l'installazione dell'apparecchio, prestare attenzione a non danneggiare alcuna parte del circuito refrigerante.
- Non conservare all'interno del frigorifero oggetti infiammabili o sostanze volatili (benzene, diluenti, gas propano, alcol, etere, GPL e sostanze simili).
 - Il frigorifero è idoneo solo alla conservazione di alimenti.
 - La mancata osservanza di questa precauzione può causare un incendio o una esplosione.
- Riempire il serbatoio dell'acqua, il vassoio del ghiaccio ed i cubetti di ghiaccio solo con acqua potabile (acqua minerale o purificata).
 - Non riempire il serbatoio con tè, succhi di frutta o bevande energetiche, in caso contrario il frigorifero potrebbe subire danni.

- Come refrigerante vengono utilizzati i gas R-600a o R-134a. Controllare l'etichetta del compressore sul retro dell'apparecchio e l'etichetta della potenza nominale all'interno del frigorifero per individuare il tipo di refrigerante utilizzato. Se il prodotto contiene gas infiammabile (refrigerante R-600a), contattare l'ente locale preposto per lo smaltimento sicuro di questo prodotto.
- Per lo smaltimento di questo prodotto o di altri frigoriferi, rimuovere le porte, le guarnizioni e le chiusure delle porte in modo che bambini o animali non possano rimanere intrappolati all'interno. Sorvegliare i bambini affinché non giochino con l'apparecchio. Se i bambini rimangono intrappolati all'interno dell'apparecchio, possono morire per soffocamento.
 - Se un bambino, giocando, rimane intrappolato all'interno dell'apparecchio potrebbe ferirsi e morire per soffocamento.
- L'isolante utilizzato è il ciclopentano. I gas contenuti nel materiale isolante richiedono speciali procedure di smaltimento. Contattare l'autorità locale competente per informazioni sul corretto smaltimento di questo prodotto.
- La temperatura di comparti o sezioni a due stelle, contrassegnati dal simbolo (☆☆), è lievemente superiore rispetto a quella di altri comparti freezer. La posizione delle sezioni e dei comparti a due stelle può variare pertanto fare riferimento alle istruzioni e/o alle condizioni di vendita.

Istruzioni su WEEE



Corretto smaltimento del prodotto (rifiuti elettrici ed elettronici)

(Applicabile nei Paesi con sistemi di raccolta differenziata)

Il simbolo riportato sul prodotto, sugli accessori o sulla documentazione (un contenitore della spazzatura con ruote barrato da una croce con una banda nera sotto) indica che il prodotto e i relativi accessori elettronici (quali cariche batterie, cuffia e cavo USB) non devono essere smaltiti come rifiuti urbani misti al termine del ciclo di vita ma devono essere raccolti separatamente in modo da permetterne il riutilizzo, il riciclaggio e altre forme di recupero in conformità alla normativa vigente. I rifiuti derivanti da apparecchiature elettriche ed elettroniche possono, infatti, contenere sostanze dannose e pericolose che, se non correttamente gestite, costituiscono un pericolo per l'ambiente e la salute umana.

L'utente ha, quindi, un ruolo attivo nel ciclo di recupero e riciclaggio dei rifiuti di apparecchiature elettriche ed elettroniche.

Al fine di evitare eventuali danni all'ambiente o alla salute causati da uno smaltimento non corretto, si invita pertanto l'utente a separare il prodotto e i suddetti accessori da altri tipi di rifiuti, conferendoli ai sistemi di ritiro e di raccolta autorizzati secondo le normative locali.

Gli utenti domestici possono consegnare gratuitamente l'apparecchiatura che desiderano smaltire al rivenditore, al momento dell'acquisto di una nuova apparecchiatura di tipo equivalente. Presso i rivenditori di prodotti elettronici con superficie di vendita di almeno 400 m² è inoltre possibile consegnare gratuitamente, senza obbligo di acquisto, i prodotti elettronici da smaltire con dimensioni inferiori a 25 cm.

Gli utenti professionali (imprese e professionisti) sono invitati a contattare il proprio fornitore e verificare i termini e le condizioni del contratto di acquisto. Questo prodotto e i relativi accessori elettronici non devono essere smaltiti unitamente ad altri rifiuti commerciali.

Per ulteriori informazioni sull'impegno ambientale di Samsung e sugli obblighi normativi specifici dei singoli prodotti es. REACH, WEEE, Batteries, visitare la pagina relativa alla sostenibilità nel sito www.samsung.com

(solo per prodotti venduti nei paesi dell'Unione Europea e nel Regno Unito).

NOTA

Verifica le informazioni su come smaltire correttamente questo imballaggio accedendo alla pagina dedicata tramite il seguente link (<https://www.samsung.com/it/sustainability/environment/environment-data/>) attraverso il tuo browser.

Guida alla sicurezza

LEGGERE TUTTE LE ISTRUZIONI PRIMA DELL'USO

Le linee guida di sicurezza che seguono sono dedicate alla prevenzione di rischi o danni non prevedibili provocati dall'uso non sicuro o improprio dell'apparecchio.

Le linee guida sono suddivise in 'AVVERTENZA' e 'ATTENZIONE' come descritto sotto.

Messaggi di sicurezza

Questo simbolo viene visualizzato ad indicare oggetti o azioni che possono potenzialmente provocare un rischio. Leggere attentamente la parte descritta con questo simbolo e seguire le istruzioni per evitare il rischio.

⚠ AVVERTENZA

Indica che la mancata osservanza delle istruzioni potrebbe provocare serie lesioni o la morte.

⚠ ATTENZIONE

Indica che la mancata osservanza delle istruzioni potrebbe provocare lesioni minori o danni al prodotto.

⚠ AVVERTENZA

Al fine di ridurre il rischio di esplosione, incendi, morte, scariche elettriche, lesioni o scottature alle persone durante l'uso del prodotto, seguire le precauzioni di base comprese le seguenti:

Installazione

- Questo apparecchio deve essere trasportato da due o più persone che lo afferrino saldamente.
- Installare l'apparecchio su una superficie piana e stabile.
- Non installare l'apparecchio in un luogo umido o polveroso. Non installare o conservare l'apparecchio in esterno, o qualsiasi area soggetta alle condizioni atmosferiche come la luce solare diretta, vento, pioggia o temperature al di sotto dello zero.
- Non collocare l'apparecchio in una posizione esposta alla luce solare diretta o al calore di stufe, radiatori o altri apparecchi di riscaldamento.
- Prestare attenzione a non esporre il retro dell'apparecchio durante l'installazione.

- Installare l'apparecchio in un luogo dove sia facile scollegare la spina del cavo di alimentazione.
- Prestare attenzione a non lasciare cadere l'apparecchio durante il montaggio o lo smontaggio.
- Prestare attenzione a non schiacciare o danneggiare il cavo di alimentazione durante il montaggio o smontaggio della porta dell'apparecchio.
- Prestare attenzione a non urtare la spina di alimentazione o lasciare che l'apparecchio si appoggi alla spina.
- Non collegare un adattatore o altri accessori alla presa di corrente.
- Non modificare o prolungare il cavo di alimentazione.
- Assicurarsi che la presa di corrente sia adeguatamente messa a terra, e che il polo di messa a terra sul cavo di alimentazione non sia danneggiato o rimosso dalla spina. Per maggiori particolari sulla messa a terra, rivolgersi ad un Centro assistenza autorizzato Samsung Electronics.
- Questo apparecchio è dotato di un cavo di alimentazione con un conduttore di messa a terra e una spina di alimentazione con messa a terra. La spina di alimentazione deve essere inserita in una presa di corrente adeguata, installata e messa a terra in conformità con tutte le normative ed ordinanze locali.
- Non attivare mai un apparecchio che mostri chiari segni di danni. In caso di dubbi, consultare il rivenditore.
- Non collegare l'apparecchio ad una multi presa non dotata di cavo di alimentazione (montato).
- L'apparecchio deve essere collegato ad una presa elettrica dedicata dotata di un fusibile a parte.
- Non usare una multipresa non dotata di una adeguata messa a terra (portatile). In caso di uso di una multipresa (portatile) dotata di una adeguata messa a terra, usarne una con un cavo di corrente con capacità uguale o superiore a quella del cavo e collegarvi solo l'apparecchio.
- Smaltire tutti i materiali da imballaggio (come sacchetti di plastica e polistirolo) mantenendoli lontani dalla portata dei bambini. I materiali da imballaggio possono provocare soffocamenti.

Funzionamento

- Prestare attenzione alla eventuale presenza di bambini nelle vicinanze durante l'apertura o la chiusura della porta dell'apparecchio. La porta potrebbe urtare il bambino e ferirlo.
- Evitare il pericolo di intrappolare un bambino all'interno dell'apparecchio. Un bambino intrappolato all'interno dell'apparecchio potrebbe soffocare.

⚠ ATTENZIONE

Al fine di ridurre il rischio di lesioni minori a persone, malfunzionamenti o danni al prodotto o alla proprietà durante l'uso del prodotto, seguire le precauzioni di base comprese le seguenti:

Funzionamento

- Non toccare cibo congelato o parti metalliche contenute nel comparto freezer con le mani bagnate o umide. Ciò potrebbe causare il congelamento delle dita.
- Non posizionare contenitori in vetro, bottiglie o lattine (specialmente quelle contenenti bibite gassate) nel comparto freezer, ripiani o contenitore di raccolta del ghiaccio che possano essere esposti a temperature al di sotto dello zero.
- Il vetro temperato sul frontale della porta dell'apparecchio o i ripiani possono danneggiarsi se urtati. Se rotti. Non toccare con le mani.
- Non appendersi alle porte dell'apparecchio, la parte di conservazione, i ripiani o salirvi sopra.
- Non conservare una quantità eccessiva di bottiglie di acqua o contenitori per contorni nei balconcini della porta.
- Non aprire o chiudere la porta dell'apparecchio usando una forza eccessiva.
- Qualora la cerniera della porta risulti danneggiata o funzioni male, interrompere l'uso dell'apparecchio e contattare un Centro di assistenza autorizzato.
- Impedire agli animali domestici di rosicchiare il cavo di alimentazione o il tubo dell'acqua.
- Non mangiare mai cibi non appena estratti dal comparto freezer.
- Accertarsi di non schiacciarsi le mani o i piedi durante l'apertura o la chiusura della porta o delle porte.

Manutenzione

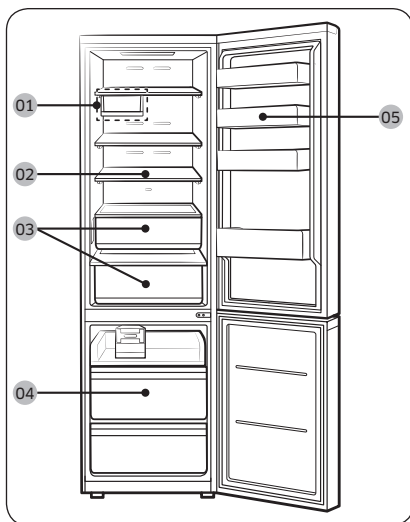
- Non pulire i ripiani di vetro o coperchi con acqua calda quando sono freddi. Essi possono rompersi se esposti ad improvvisi sbalzi di temperatura.
- Non inserire i ripiani alla rovescia. I ripiani potrebbero cadere.
- Per rimuovere eventuale brina dall'apparecchio, contattare un Centro assistenza autorizzato Samsung Electronics.
- Smaltire il ghiaccio contenuto nel contenitore di raccolta del ghiaccio del comparto freezer durante un blackout.

Installazione

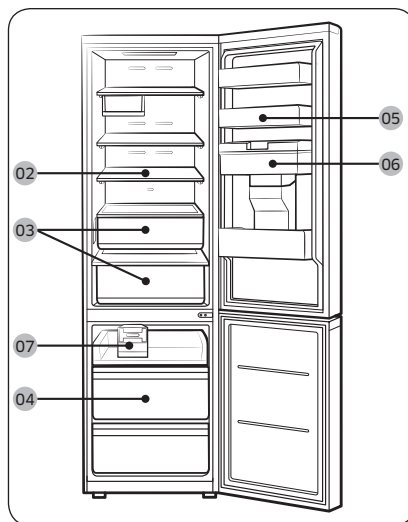
Il frigorifero in breve

Le immagini effettive del frigorifero e dei componenti forniti del frigorifero possono variare dalle immagini riportate in questo manuale, in base al modello ed al paese di acquisto.

Tipo normale



Tipo dispenser



01 Vassoio multiuso *

02 Ripiano in vetro / Ripiano pieghevole *

03 Cassetto verdure *

04 Cassetto freezer

05 Balconcino frigo multifunzione

06 Serbatoio dell'acqua **

07 Twist Ice maker *

* solo modelli relativi

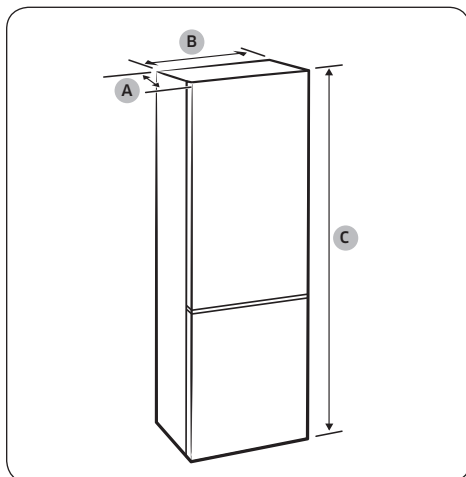
** solo modelli con dispenser

NOTA

- Per una maggiore efficienza energetica, assicurarsi che tutti i ripiani, i cassetti ed i cestelli siano nella loro posizione originale.
- Per ottenere più spazio, rimuovere tutti i cassetti e inserire il 'Ripiano Freezer' (in dotazione solo in alcuni modelli) posto sul fondo del comparto; questa modifica non ha alcuna influenza sulle caratteristiche termiche e meccaniche dell'apparecchio. Il volume di conservazione dichiarato per lo scomparto surgelati è calcolato con i cassetti rimossi.

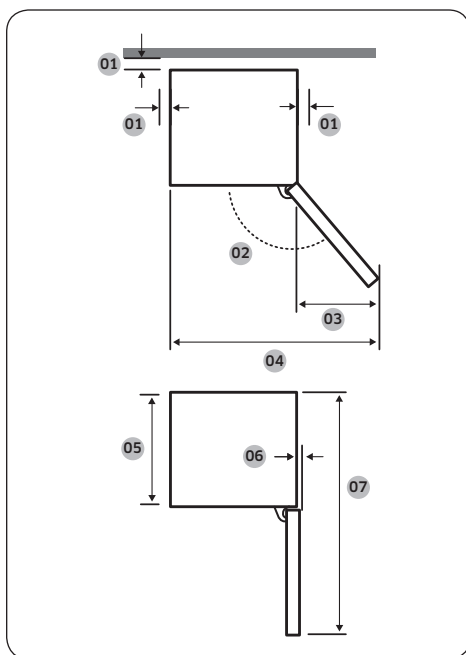
Spazio

Per i requisiti di spazio per l'installazione vedere le figure e le tabelle sotto.



Modello	RB45**	RB50**	RB53**
Profondità "A"	711		
Larghezza "B"	759		
Altezza complessiva "C"	1780	1920	2030

(unità : mm)



01	consigliati più di 50 mm
02	Frigorifero: 115°, Freezer: 120°
03	551
04	1151
05	626
06	32
07	1406

(unità : mm)

NOTA

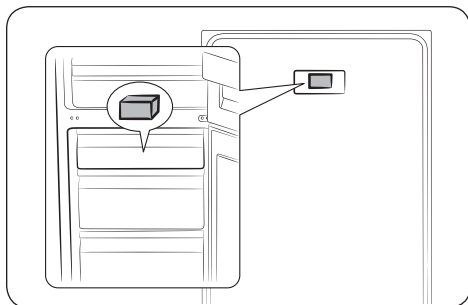
Le misure riportate nella tabella sopra possono differire leggermente dalle misure effettive, in base ai metodi di misurazione e gli arrotondamenti effettuati.

Passaggi di installazione

PASSAGGIO 1 Distanziale (solo modelli relativi)

NOTA

Il numero di distanziali varia in base al modello. Fissare tutti i distanziali in dotazione.



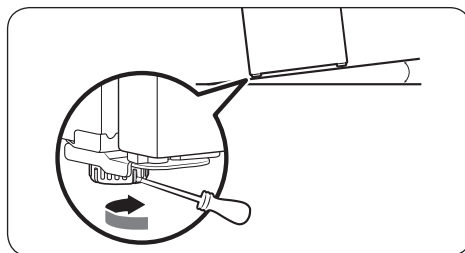
1. Aprire la porta e individuare i distanziali in dotazione (blocco grigio).
2. Disimballare il distanziale e fissarlo sul retro del frigorifero come indicato. Essi facilitano la ventilazione dell'aria sulla parete posteriore e riducono il consumo energetico.

PASSAGGIO 2 Regolare i piedini di appoggio

ATTENZIONE

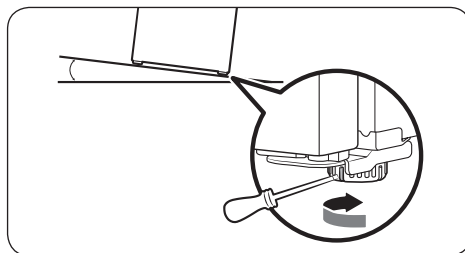
- Il frigorifero deve essere livellato, su una superficie stabile e solida. La mancata osservanza di tale indicazione può danneggiare il frigorifero o provocare lesioni personali.
- Il livellamento del frigorifero deve essere eseguito a frigorifero vuoto. Assicurarsi che non vi sia del cibo all'interno del frigorifero.
- Per motivi di sicurezza, regolare i piedini anteriori leggermente più alti rispetto al retro.

Il frigorifero può essere livellato usando i piedini anteriori dotati di una apposita vite di regolazione del livello. Per livellare usare un cacciavite a lama piatta.



Per regolare l'altezza del lato sinistro:

Inserire un cacciavite a lama piatta nell'alloggiamento di regolazione del piedino anteriore sinistro. Ruotare il piedino in senso orario per sollevare, in senso antiorario per abbassare.

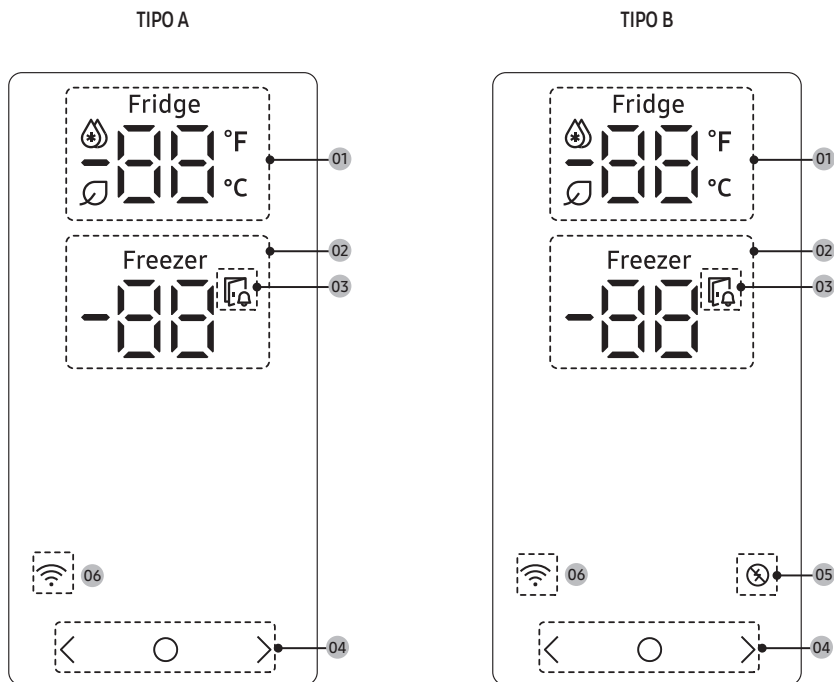


Per regolare l'altezza del lato destro:

Inserire un cacciavite a lama piatta nell'alloggiamento di regolazione del piedino anteriore destro. Ruotare il piedino in senso orario per sollevare, in senso antiorario per abbassare.

Funzionamento

Pannello principale



<p>01 Spia frigorifero</p>	<ul style="list-style-type: none"> • Visualizza le impostazioni correnti della temperatura del frigorifero. • indica che la funzione Raffreddamento rapido è attiva. • Attivando la AI Energy Mode nella app SmartThings viene visualizzata l'icona (solo modelli relativi)
<p>02 Spia freezer</p>	<ul style="list-style-type: none"> • Visualizza le impostazioni correnti della temperatura del freezer. • indica che la funzione Congelamento rapido è attiva.
<p>03 Funzione allarme porta aperta</p>	<p>Questa spia lampeggia qualora si inneschi un allarme ad indicare che la porta è rimasta aperta per oltre 2 minuti.</p>
<p>04 Tasti</p>	<ul style="list-style-type: none"> • Quando il display è spento, premere un tasto qualsiasi per risvegliarlo. • Usare per selezionare il frigorifero o il freezer e per selezionare la temperatura o la funzione desiderata per il comparto selezionato.

05 Spia Max richiesta *	<ul style="list-style-type: none"> • Visualizza lo stato della funzione Max richiesta. • Per maggiori informazioni sulla funzione Max richiesta, vedere il manuale dell'utente per visitare il sito web Samsung.
06 Indicatore di connessione alla rete	<ul style="list-style-type: none"> • Questa icona indica che il frigorifero è connesso alla rete. Se l'icona Wi-Fi lampeggia, consigliamo di collegare il frigorifero alla app SmartThings. È possibile controllare e monitorare il frigorifero mediante la app SmartThings. Per ulteriori informazioni, consultare la sezione SmartThings.

NOTA

Se la porta rimane aperta per oltre 5 minuti, la luce interna lampeggia per 5 minuti e poi si spegne. Questo indica alle persone con deficit uditivo che la porta è rimasta aperta. Notare che tale funzione è normale.

SmartThings

Installazione

Visitare il Google Play Store, il Galaxy Apps o il Apple App Store e cercare "SmartThings". Scaricare e installare la app SmartThings fornita da Samsung Electronics sul proprio dispositivo smart.

NOTA

- La versione del software di supporto della app SmartThings è soggetta a variazioni secondo le politiche di supporto del SO fornito dal produttore. Inoltre, come per la app SmartThings o le funzioni supportate da essa, le nuove politiche di aggiornamento dell'applicazione della versione del SO esistente possono essere sospese per motivi di uso o sicurezza.
- La app SmartThings è soggetta a variazioni senza preavviso al fine di migliorarne l'uso o le prestazioni. Dal momento che la versione del SO del telefono mobile viene aggiornata annualmente, anche la app SmartThing viene costantemente aggiornata secondo l'ultimo SO. Per eventuali domande riguardanti quanto espresso sopra, inviare una email a st.service@samsung.com.
- Tra i sistemi di crittografia consigliati vi sono WPA/TKIP e WPA2/AES. Eventuali protocolli di autenticazione Wi-Fi nuovi o non standard non sono supportati.
- Le reti wireless possono essere influenzate dagli ambienti di comunicazione wireless circostanti.
- Se il proprio provider di servizi internet registra l'indirizzo MAC dei PC o dei modem ai fini di una identificazione, il proprio frigorifero Smart Samsung potrebbe non riuscire a collegarsi ad Internet. In tale caso, contattare il proprio provider di servizi internet per richiedere assistenza.
- Le impostazioni del firewall del proprio sistema di rete possono impedire al proprio frigorifero Samsung Smart di accedere ad Internet. Contattare il proprio provider di servizi internet per richiedere assistenza. Qualora tale sintomo persista, contattare un Centro di assistenza autorizzato o un rivenditore Samsung.
- Per configurare le impostazioni del router wireless (AP), vedere il manuale dell'utente del router.
- I frigoriferi Smart Samsung supportano sia le reti Wi-Fi 2.4 GHz con IEEE 802.11 b/g/n e i protocolli Soft-AP (IEEE 802.11 n è sconsigliata).
- I router Wi-Fi non approvati possono non riuscire a collegarsi ai frigoriferi Samsung Smart dotati di questa funzione.

Account Samsung

Per utilizzare la app è necessario registrare un proprio account Samsung. Qualora non si disponga di un account Samsung, seguire le istruzioni visualizzate sullo schermo per crearne uno gratuito.

Introduzione

Accendere il dispositivo da collegare, eseguire la app SmartThings sul proprio telefono e seguire le istruzioni riportate sotto.

Alla comparsa di un messaggio che indica l'individuazione di un nuovo dispositivo, premere **ADD NOW (AGGIUNGI ORA)**. Qualora non compaia alcun messaggio, premere il tasto **+** e selezionare il dispositivo da connettere tra quelli riportati nell'elenco dei dispositivi disponibili.

Se il proprio dispositivo non compare nell'elenco **Supported Devices (Dispositivi supportati)**, aggiungere il dispositivo manualmente selezionando il tipo di dispositivo (Frigorifero) ed in seguito il modello specifico.

Seguire le istruzioni visualizzate nella app per impostare il dispositivo. Una volta terminata l'impostazione, il frigorifero comparirà come "scheda" nella schermata **Devices (Dispositivi)**.

App Frigorifero

Controllo integrato

È possibile monitorare e controllare il proprio frigorifero in casa così come a distanza.

- Selezionare l'icona del frigorifero nella Dashboard SmartThings o l'icona Dispositivi in basso nella Dashboard, quindi selezionare la "scheda" del frigorifero per accedere alla pagina del proprio Frigorifero.
- Verificare lo stato operativo o le notifiche dal proprio frigorifero e cambiare le opzioni o impostazioni se necessario.

NOTA

Alcune opzioni o impostazioni del frigorifero potrebbero non essere disponibili per il controllo da remoto.

Manutenzione

Pulizia

Interno ed esterno

AVVERTENZA

- Per pulire il frigorifero non usare benzina, diluenti, Clorox™ o detersivi per auto. L'uso di questi prodotti potrebbe danneggiare la superficie dell'apparecchio e causare un incendio.
- Non spruzzare acqua sul frigorifero. In caso contrario, esiste il pericolo di scariche elettriche.

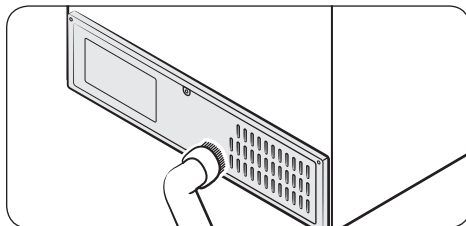
Usare regolarmente un panno morbido per rimuovere eventuale polvere o sporcizia dai terminali della spina elettrica e dai contatti.

1. Scollegare la spina di alimentazione.
2. Usare un panno inumidito e liscio o un tovagliolo di carta per pulire l'interno e l'esterno del frigorifero.
3. Al termine, usare un panno o della carta per asciugarlo con cura.
4. Ricollegare la spina di alimentazione.

Guarnizioni di gomma

Se le guarnizioni di gomma di una porta sono sporche, la porta potrebbe non chiudersi correttamente riducendo le prestazioni termiche ed efficienza del frigorifero. Usare un detersivo delicato ed un panno umido per pulire le guarnizioni in gomma. Quindi asciugarle con un panno asciutto.

Pannello posteriore



Per mantenere cavi e parti esposte del retro del pannello puliti, aspirare il pannello una o due volte l'anno.

ATTENZIONE

Non rimuovere il coperchio del pannello posteriore. Sussistono pericoli di scariche elettriche.

Lampadine a LED

Per effettuare la sostituzione delle lampadine, rivolgersi al Centro assistenza autorizzato Samsung di zona.

AVVERTENZA

Le lampadine non possono essere sostituite autonomamente. Non tentare di effettuare autonomamente la loro sostituzione. In caso contrario, esiste il pericolo di scariche elettriche.

Lampadina (sorgente luminosa)

Questo prodotto contiene una sorgente luminosa con una classe di efficienza energetica <G>.

La lampadina ed i comandi non possono essere sostituibile dall'utente in autonomia. Per effettuare la sostituzione delle lampadine o dei comandi, rivolgersi al Centro assistenza autorizzato Samsung di zona.

Per maggiori informazioni sulla sostituzione di lampadine o comandi del vostro prodotto, visitare il sito web Samsung (<http://www.samsung.com>), accedere a Support > Support home, e digitare il nome del modello.

Per maggiori informazioni sullo smontaggio delle lampadine o dei comandi seguire le istruzioni come descritto sopra.

Dichiarazione Open Source

Il software incluso in questo prodotto contiene codice open source. E' possibile ottenere il codice sorgente corrispondente completo per un periodo di tre anni dall'ultima spedizione di questo prodotto inviando una email al nostro team di assistenza mediante <http://opensource.samsung.com> (usare il menu "Inquiry (Domanda)" menu).

E' inoltre possibile ottenere il codice sorgente corrispondente completo su un supporto fisico come un CD-ROM; in tal caso verrà addebitato un importo minimo.

Il seguente URL http://opensource.samsung.com/opensource/COMMON_TZ6_0/seq/0 porta alle informazioni di licenza open source relative a questo prodotto. Questa offerta è valida per chiunque riceva questa informazione.

Appendice

Istruzioni di sicurezza

- Per i migliori risultati in termini di efficienza energetica, tenere tutti gli accessori interni quali cestelli, cassetti, ripiani e vaschette per il ghiaccio nella posizione indicata dal costruttore.
- Questo frigorifero non è stato progettato per essere montato ad incasso.

Istruzioni di installazione

Per gli apparecchi di refrigerazione con classi climatiche

In base alla sua classe climatica, questo apparecchio di refrigerazione è progettato per essere utilizzato a temperature ambiente come indicato nella tabella che segue.

La classe climatica può essere individuata sull'etichetta dei valori nominali. Il prodotto potrebbe non operare correttamente a temperature al di fuori dell'intervallo di valori indicato.

La classe climatica può essere individuata sull'etichetta dei valori nominali all'interno del prodotto.

Temperatura di funzionamento effettivo

Il frigorifero è stato progettato per funzionare normalmente all'interno dell'intervallo di temperature indicato per la sua classe energetica.

Classe	Simbolo	Intervallo temperatura ambiente (°C)	
		IEC 62552 (ISO 15502)	ISO 8561
Temperata estesa	SN	da +10 a +32	da +10 a +32
Temperata	N	da +16 a +32	da +16 a +32
Subtropicale	ST	da +16 a +38	da +18 a +38
Tropicale	T	da +16 a +43	da +18 a +43

NOTA

Le prestazioni di raffreddamento ed il consumo energetico del frigorifero potrebbero essere influenzati dalla temperatura ambientale, la frequenza di apertura della porta e la posizione del frigorifero. Regolare la temperatura in base alle proprie necessità.

Istruzioni sulla temperatura

Temperatura consigliata

La temperatura ottimale consigliata per la conservazione dei cibi:

- Frigorifero: 3 °C
- Freezer: -19 °C

NOTA

L'impostazione ottimale della temperatura di ogni scomparto dipende dalla temperatura ambientale. La temperatura ottimale sopra si basa sulla temperatura ambientale di 25 °C.

Raffreddamento rapido

Raffreddamento rapido accelera il processo di raffreddamento con la massima velocità di ventilazione. Il frigorifero continua a funzionare al massimo per due ore e mezza per poi tornare alla temperatura precedente.

Congelamento rapido

La funzione Congelamento rapido accelera il processo di congelamento con la massima velocità di ventilazione. Il freezer continua a funzionare al massimo per 50 ore quindi torna alla temperatura precedente. Per congelare grandi quantità di cibo, attivare la funzione Congelamento rapido per almeno 20 ore prima di inserire il cibo nel freezer.

NOTA

L'uso di questa funzione comporta un aumento del consumo energetico del frigorifero. Disattivarla qualora non sia necessaria, riportando il freezer alla temperatura originaria.

Come avere una conservazione ottimale (solo alcuni modelli)

Coprire i cibi al fine di conservarne l'umidità e impedire che assumano altri odori. Una grande porzione di cibo come una minestrina o uno stufato deve essere suddiviso in porzioni più piccole e conservato in recipienti poco profondi prima di essere inserito nel freezer. Un taglio di carne di grosse dimensioni o un pollo intero deve essere suddiviso in più parti prima di essere conservato in frigorifero.

Disposizione dei cibi

Ripiani	I ripiani devono essere regolati in base alle dimensioni delle confezioni dei cibi da conservare.
Comparti dedicati (solo modelli relativi)	I cassetti dotati di chiusura sono ideali per conservare frutta e verdura. Le verdure richiedono una maggiore presenza di umidità mentre la frutta ne richiede di meno. Tali cassetti sono dotati di dispositivi di controllo per il mantenimento dei livelli di umidità (*in base al modello ed alle opzioni). Un cassetto per la carne con la temperatura regolabile ottimizza il tempo di conservazione di carni e formaggi.
Conservati nella porta	Non conservare cibi deperibili nella porta. Le uova devono essere conservate in un cartone su un ripiano. La temperatura dei balconcini nella porta può variare più della temperatura all'interno. Mantenere la porta chiusa il più possibile.
Comparto freezer	Nel comparto freezer è possibile conservare i cibi congelati, formare cubetti di ghiaccio e congelare cibi freschi.

NOTA

Congelare solo cibi freschi e non guasti. Conservare il cibo da congelare lontano dai cibi già congelati. Al fine di impedire che i cibi perdano il sapore o si disidratino, conservarli in contenitore a tenuta d'aria.

Diagramma Frigorifero & Freezer

La durata della freschezza dei cibi dipende dalla temperatura e dall'umidità. Dal momento che le date di scadenza dei prodotti non sono un riferimento sicuro per una consumazione sicura dei cibi, consultare questo diagramma e seguire questi suggerimenti.

Prodotto		Frigorifero	Freezer
Prodotti del latte	Latte	1 settimana	1 mese
	Burro	2 settimane	12 Mesi
	Formaggio cremoso	2 settimane	Non consigliato
Carne	Arrosti freschi, bistecche, spiedini	3-4 Giorni	2-3 Mesi
	Salsiccia, maiale crudo, manzo, tacchino	1-2 Giorni	1-2 Mesi
Pollame / Uova	Pollame fresco	2 giorni	6-8 Mesi
	Uova, fresche in guscio	2-4 settimane	Non consigliato
Pesce / Frutti di mare	Pesce fresco	1-2 Giorni	3-6 Mesi
	Pesce essiccato o in salamoia	3-4 settimane	-
Frutta	Mele	1 mese	-
	Altra frutta fresca	3-5 Giorni	9-12 Mesi
Verdure	Asparagi	2-3 Giorni	-
	Broccoli, cavoletti di Bruxelles, piselli, funghi	3-5 Giorni	-
	Cavolo, cavolfiore, cetrioli, lattuga	1 settimana	-
	Carote, barbabietole, ravanelli	2 settimane	-

Informazioni sul modello e l'ordinazione di parti di ricambio

Informazioni sul modello

Per accedere alle informazioni energetiche di questo prodotto nel European Product Registry for Energy Labelling (EPREL), scansionare il codice QR dell'etichetta energetica.

Il codice QR è reperibile sull'etichetta energetica contenuta nella confezione del prodotto.

Informazione sulla parte di ricambio

- Il periodo minimo nel quale i ricambi necessari continueranno ad essere disponibili
 - 7 anni termostati, sensori di temperatura, circuiti stampati e luci, maniglie di porte, cerniere, vassoi, guarnizioni (scatole o cassetti)
 - 10 anni guarnizioni delle porte
- La durata minima della garanzia dei dispositivi di refrigerazione offerta dal costruttore è di 24 mesi.
- Informazioni importanti per l'ordinazione dei ricambi, direttamente o tramite altri canali sono fornite dal costruttore, importatore o rappresentanti autorizzati
- È possibile ottenere informazioni sulle riparazioni professionali alla pagina <http://samsung.com/support>.
È possibile trovare il manuale di assistenza dell'utente alla pagina <http://samsung.com/support>.

NOTA

Samsung dichiara che questo apparecchio radio è conforme alla Direttiva 2014/53/UE e con le relative disposizioni di legge nel Regno Unito.

Il testo completo della Dichiarazione di conformità UE e la Dichiarazione di conformità del Regno Unito sono disponibili all'indirizzo internet: La Dichiarazione di conformità ufficiale è reperibile all'indirizzo <http://www.samsung.com>, accedendo alla pagina Support > Search Product Support e digitando il nome del modello.

	Gamma frequenze	Potenza trasmettitore (Max)
Wi-Fi	2412 - 2472 MHz	20 dBm
Bluetooth	2402 - 2480 MHz	20 dBm

Contatti SAMSUNG NEL MONDO

In caso di domande o commenti relativi ai prodotti Samsung, contattare il Centro assistenza clienti SAMSUNG.

Nazione	Contact Center	Sito web
FRANCE	01 48 63 00 00	www.samsung.com/fr/support
GERMANY	06196 77 555 77	www.samsung.com/de/support
LUXEMBURG	261 03 710	www.samsung.com/be_fr/support
NETHERLANDS	088 90 90 100	www.samsung.com/nl/support
BELGIUM	02-201-24-18	www.samsung.com/be/support (Dutch) www.samsung.com/be_fr/support (French)
NORWAY	21629099	www.samsung.com/no/support
DENMARK	707 019 70	www.samsung.com/dk/support
FINLAND	030-6227 515	www.samsung.com/fi/support
SWEDEN	0771-400 300	www.samsung.com/se/support
CYPRUS	8009 4000 only from landline, toll free	www.samsung.com/gr/support
GREECE	80111-SAMSUNG (80111 726 7864) only from land line (+30) 210 6897691 from mobile and land line	
ITALIA	800-SAMSUNG (800.7267864)	www.samsung.com/it/support
PORTUGAL	210 608 098 Chamada para a rede fixa nacional Dias úteis das 9h às 20h	www.samsung.com/pt/support
SPAIN	91175 0015	www.samsung.com/es/support



DA68-04780Q-00

Frigorífico

Manual de usuario simple

Electrodoméstico independiente

- Para ahorrar recursos valiosos, estamos reduciendo los manuales en papel y proporcionando manuales de usuario electrónicos que puede consultar en su teléfono inteligente o en un sitio web.
- Para obtener instrucciones sobre cómo utilizar el producto, consulte los manuales de usuario proporcionados como código QR o el sitio web de Samsung Electronics (<http://www.samsung.com/sec/>).
- Para obtener más información sobre las siguientes cosas, visite el sitio web de Samsung (<http://www.samsung.com>), vaya a la sección Soporte y, a continuación, busque el nombre de su modelo.
 - Cómo minimizar el consumo de energía, consejos adicionales para el uso adecuado, operaciones, mantenimiento, tipo de frigorífico, especificaciones (dimensiones).

Visualización de los manuales de usuario

1. Inicie una aplicación de lector de códigos QR y, a continuación, escanee la imagen QR adjunta al producto.
2. Seleccione un menú del registro de productos, vea los manuales o conecte un servicio. Al seleccionar un manual, puede ver el manual del producto comprado.

SAMSUNG



Índice

Información de seguridad	3	Mantenimiento	16
Precauciones de seguridad importantes	4	Limpieza	16
Instrucciones sobre los RAEE	8		
Guía de seguridad	8	Apéndice	17
Instalación	10	Instrucciones de seguridad	17
Descripción general del frigorífico	10	Instrucciones de instalación	17
Espacio requerido	11	Instrucciones sobre la temperatura	17
Instalación paso a paso	12	Información para el modelo y el pedido de piezas de repuesto	19
Funcionamiento	13		
Panel principal	13		
SmartThings	14		



Información de seguridad

- Se utilizan los refrigerantes R-600a o R-134a. Compruebe la etiqueta del compresor situada en la parte posterior del electrodoméstico o la etiqueta de especificaciones del interior del frigorífico para ver cuál es el refrigerante utilizado. Cuando este producto contenga gases inflamables (refrigerante R-600a), póngase en contacto con las autoridades locales para eliminar este electrodoméstico de forma segura.
- Para evitar que se mezclen el gas inflamable y el aire en caso de una fuga en el circuito de refrigeración, el tamaño de la habitación donde se pueda instalar el electrodoméstico dependerá de la cantidad de refrigerante utilizado.
- Nunca ponga en marcha un electrodoméstico que presente indicios de daños. En caso de duda, póngase en contacto con el distribuidor. El tamaño de la habitación debe ser de 1 m³ por cada 8 g de refrigerante R-600a del electrodoméstico.
- Para evitar la contaminación de alimentos, cumpla las siguientes instrucciones:
 - Abrir la puerta durante períodos prolongados puede generar un aumento significativo de la temperatura en los compartimentos del electrodoméstico.
 - Limpie regularmente las superficies que pueden entrar en contacto con alimentos y los sistemas de drenaje accesibles.
 - Limpie los depósitos de agua si no se han utilizado durante 48 horas; enjuague el sistema de agua conectado a un suministro de agua si no se ha extraído agua durante 5 días.
 - Almacene la carne y el pescado crudos en recipientes apropiados en el frigorífico, de forma que no estén en contacto con otros alimentos ni goteen sobre otros alimentos.

- Los compartimentos de alimentos congelados de dos estrellas son apropiados para almacenar alimentos precongelados, almacenar o fabricar helado y fabricar cubitos de hielo.
 - Los compartimentos de una, dos y tres estrellas no son apropiados para congelar alimentos frescos.
 - Si el aparato de refrigeración se deja vacío durante períodos prolongados, apáguelo, descongélelo, límpielo, séquelo y deje la puerta abierta para evitar la formación de moho dentro del electrodoméstico.
- No coloque regletas de enchufes portátiles o unidades de alimentación móviles en la parte posterior del electrodoméstico.
 - Llénelo solo con agua potable.
 - Se debe conectar únicamente a un suministro de agua potable.
 - Mantenga libres de obstrucciones las aberturas de ventilación de la caja o de la estructura empotrable.
 - No utilice dispositivos mecánicos ni otros métodos para acelerar el proceso de descongelación que no sean los recomendados por el fabricante.
 - No dañe el circuito de refrigeración.
 - No utilice dispositivos eléctricos dentro de los compartimentos de almacenamiento de alimentos del electrodoméstico, a menos que sean de un tipo recomendado por el fabricante.

Precauciones de seguridad importantes



Advertencia: riesgo de incendio / materiales inflamables

⚠️ ADVERTENCIA

- Cuando instale el electrodoméstico, asegúrese de que el cable de alimentación no está atrapado ni dañado.

- Este electrodoméstico no está diseñado para que lo usen personas (incluidos los niños) con discapacidad física, mental o sensorial, o faltas de conocimiento y experiencia, sin la supervisión o las indicaciones de una persona responsable que garanticen un uso seguro del aparato.
- Este electrodoméstico lo pueden utilizar niños a partir de los 8 años y personas con discapacidad física, mental o sensorial, siempre y cuando tengan una supervisión o instrucciones sobre el uso de estos electrodomésticos de una forma segura y siendo consecuentes de los posibles peligros que este pueda ocasionar. Los niños no deben jugar con el electrodoméstico. Los niños no deben efectuar tareas de limpieza ni de mantenimiento sin vigilancia. Los niños con edades comprendidas entre los 3 y los 8 años pueden cargar y descargar aparatos de refrigeración.
- Si el cable de alimentación está dañado, lo debe reemplazar el fabricante, su técnico de servicio o personal con una cualificación análoga para evitar riesgos de accidentes.
- La toma de corriente debe ser fácilmente accesible para que se pueda desenchufar el aparato rápidamente en caso de emergencia.
 - Debe estar fuera de la zona posterior del aparato.
- No almacene en este aparato sustancias explosivas como envases de aerosoles con propulsores inflamables.
- Si el producto está equipado con lámparas LED, no desmonte la tapa de la lámpara ni la lámpara LED usted mismo.
 - Póngase en contacto con un centro de servicio técnico de Samsung.
 - Utilice solo las lámparas LED suministradas por el fabricante o su personal de servicio técnico.
- No reutilice los tubos viejos, utilice los tubos nuevos suministrados con el aparato.

- El frigorífico solo debe conectarse a un suministro de agua potable. Para que la máquina de hielo funcione correctamente, la presión del agua debe ser de 206 - 861 kPa (30 - 125 psi).
- Para un uso más eficiente de la energía, mantenga todos los accesorios internos, como cestas, cajones o estantes, en la posición en la que los entrega el fabricante.
- Para obtener el mejor rendimiento energético del producto, deje todos los estantes, cajones y cestos en su posición original.

Este aparato está diseñado para utilizarse en entornos domésticos o similares como

- cocinas para el personal de tiendas, oficinas u otros lugares de trabajo
- albergues rurales y habitaciones de hoteles, moteles y otros entornos residenciales
- pensiones y casas de huéspedes

- catering y aplicaciones no minoristas similares.

⚠ ADVERTENCIA

- Este electrodoméstico contiene una pequeña cantidad de refrigerante isobutano (R-600a), un gas natural de alta compatibilidad medioambiental que, sin embargo, también es combustible. Cuando transporte e instale el electrodoméstico, tenga cuidado de no dañar ninguna pieza del circuito de refrigeración.
- No deje objetos ni sustancias volátiles o inflamables (benceno, disolventes, gas propano, alcohol, éter, gas LP y otros productos similares) en el frigorífico.
 - En este frigorífico solo se deben guardar alimentos.
 - Se puede producir un incendio o una explosión.
- Llene el depósito de agua, la bandeja de hielo y las cubiteras solo con agua potable (agua mineral o depurada).
 - No llene el depósito con té, zumos ni bebidas isotónicas; podría dañar el frigorífico.

- Se utilizan los refrigerantes R-600a o R-134a. Compruebe la etiqueta del compresor situada en la parte posterior del electrodoméstico o la etiqueta de especificaciones del interior del frigorífico para ver cuál es el refrigerante utilizado. Si este frigorífico contiene gases inflamables (refrigerante R-600a), póngase en contacto con las autoridades locales para eliminar este aparato de forma segura.
- Cuando se deshaga de este frigorífico, quite la puerta y los cierres y pestillos de la puerta para que no pueda quedar atrapado en su interior un niño pequeño o un animal. No deje que los niños jueguen con el electrodoméstico. Si un niño queda atrapado dentro se puede lesionar o morir asfixiado.
 - Si un niño queda atrapado dentro se puede lesionar y morir asfixiado.
- Se usa ciclopentano en el aislante. Los gases de los materiales aislantes requieren un procedimiento especial de eliminación. Póngase en contacto con las autoridades locales para deshacerse de este aparato de forma segura para el medio ambiente.
- La temperatura en las secciones o compartimentos con el símbolo de dos estrellas (☆☆) es ligeramente más alta que en los otros compartimentos del congelador.

La ubicación de las secciones o los compartimentos de dos estrellas puede variar según el producto y deberá referirse a las instrucciones o al estado en el momento de la entrega.

Instrucciones sobre los RAEE



Eliminación correcta de este producto
(Residuos de aparatos eléctricos y
electrónicos)

(Se aplica en países con sistemas de
recolección por separado)

La presencia de este símbolo en el producto, accesorios o material informativo que lo acompañan, indica que al finalizar su vida útil ni el producto ni sus accesorios electrónicos (como el cargador, cascos, cable USB) deberán eliminarse junto con otros residuos domésticos. Para evitar los posibles daños al medio ambiente o a la salud humana que representa la eliminación incontrolada de residuos, separe estos productos de otros tipos de residuos y recíclelos correctamente. De esta forma se promueve la reutilización sostenible de recursos materiales.

Los usuarios particulares pueden contactar con el establecimiento donde adquirieron el producto o con las autoridades locales pertinentes para informarse sobre cómo y dónde pueden llevarlo para que sea sometido a un reciclaje ecológico y seguro.

Los usuarios comerciales pueden contactar con su proveedor y consultar las condiciones del contrato de compra. Este producto y sus accesorios electrónicos no deben eliminarse junto a otros residuos comerciales.

Para obtener información sobre los compromisos medioambientales y las obligaciones normativas del producto de Samsung, por ejemplo, las Directivas REACH, RAEE y de pilas, visite nuestra página de sostenibilidad disponible en www.samsung.com

(Solo para productos que se venden en países europeos y Reino Unido)

Guía de seguridad

LEA TODAS LAS INSTRUCCIONES ANTES DE UTILIZAR

Las siguientes directrices de seguridad están destinadas a evitar riesgos imprevistos o daños por un funcionamiento inseguro o incorrecto del electrodoméstico.

Las directrices se dividen en «**ADVERTENCIA**» y «**PRECAUCIÓN**» como se describe a continuación.

Mensajes de seguridad

Este símbolo se muestra para indicar asuntos y operaciones que pueden causar riesgos. Lea la parte con este símbolo cuidadosamente y siga las instrucciones para evitar el riesgo.

ADVERTENCIA

Esto indica que el incumplimiento de las instrucciones puede causar lesiones graves o la muerte.

PRECAUCIÓN

Esto indica que el incumplimiento de las instrucciones puede causar lesiones menores o daños en el producto.

ADVERTENCIA

Para reducir el riesgo de explosión, incendio, muerte, descarga eléctrica, lesiones o quemaduras a las personas al usar este producto, siga las precauciones básicas, incluyendo las siguientes:

Instalación

- Este electrodoméstico solo debe ser transportado por dos o más personas que sujeten el aparato de forma segura.
- Instale el electrodoméstico en un suelo firme y nivelado.
- No instale el electrodoméstico en un lugar húmedo ni polvoriento. Instale o almacene el electrodoméstico en cualquier área al aire libre o en cualquier área que esté sujeta a las condiciones climáticas, como la luz solar directa, el viento, la lluvia o las temperaturas por debajo del punto de congelación.
- No exponga el electrodoméstico a la luz directa del sol ni a fuentes de calor, como por ejemplo estufas o calentadores.
- Tenga cuidado de no exponer la parte posterior del electrodoméstico durante la instalación.
- Instale el electrodoméstico en un lugar donde sea fácil desenchufarlo.
- Tenga cuidado de no dejar que la puerta del electrodoméstico se caiga durante el montaje o desmontaje.

- Tenga cuidado de no pellizcar, aplastar ni dañar el cable de alimentación durante el montaje o desmontaje de la puerta del electrodoméstico.
- Tenga cuidado de no apuntar el enchufe de alimentación o dejar que el electrodoméstico se apoye contra el enchufe de alimentación.
- No conecte un adaptador de enchufe u otros accesorios al enchufe de alimentación.
- No modifique ni extienda el cable de alimentación.
- Asegúrese de que la zapata de la toma de corriente esté correctamente conectada a tierra y de que el pasador de tierra del cable de alimentación no esté dañado ni retirado del enchufe de alimentación. Para obtener más detalles sobre la conexión a tierra, consulte en un centro de servicio técnico de Samsung Electronics.
- Este electrodoméstico está equipado con un cable de alimentación que tiene un conductor de puesta a tierra del equipo y un enchufe de alimentación de puesta a tierra. El enchufe de alimentación debe enchufarse a una toma de corriente adecuada que esté instalada y conectada a tierra de acuerdo con todos los códigos y las ordenanzas locales.
- Nunca ponga en marcha un electrodoméstico que presente indicios de daños. En caso de duda, póngase en contacto con el distribuidor.
- No conecte el electrodoméstico a un adaptador de enchufe múltiple que no tenga un cable de alimentación (montado).
- El electrodoméstico debe conectarse a una línea eléctrica dedicada que esté fusionada de forma separada.
- No utilice una toma de corriente múltiple que no esté correctamente conectada a tierra (portátil). En caso de utilizar una toma de corriente múltiple debidamente conectada (portátil), utilice la toma de corriente múltiple con la capacidad de corriente del cable de alimentación o superior, y utilice la toma de corriente múltiple solo para el electrodoméstico.
- Deseche todos los materiales de embalaje (como bolsas de plástico y poliestireno extruido) lejos de los niños. Los materiales de embalaje pueden causar asfixia.

Funcionamiento

- Tenga cuidado con los niños que se encuentren en las inmediaciones cuando abra o cierre la puerta del electrodoméstico. La puerta puede golpear al niño y causar lesiones.
- Evite el peligro de que los niños queden atrapados dentro del electrodoméstico. Un niño atrapado dentro del electrodoméstico puede causar asfixia.

⚠ PRECAUCIÓN

Para reducir el riesgo de lesiones menores a personas, mal funcionamiento o daños al producto o a la propiedad al usar este producto, siga las precauciones básicas, que incluyen las siguientes:

Funcionamiento

- No toque los alimentos congelados ni las partes metálicas del congelador con las manos húmedas o mojadas. Se podría causar lesiones por congelación.
- No coloque recipientes de vidrio, botellas o latas (especialmente aquellos que contienen bebidas carbonatadas) en el compartimiento del congelador, estantes o depósito de hielo que estarán expuestos a temperaturas por debajo de la congelación.
- El vidrio templado en la parte delantera de la puerta del electrodoméstico o los estantes puede dañarse por un impacto. Si está roto. No lo toque con las manos húmedas.
- No cuelgue de las puertas del electrodoméstico, del espacio de almacenamiento, del estante, ni suba se a él.
- No almacene una cantidad excesiva de botellas de agua o recipientes para guarniciones en las cestas de las puertas.
- No abra ni cierre la puerta del aparato con fuerza excesiva.
- Si la bisagra de la puerta del electrodoméstico está dañada o no funciona correctamente, deje de usarlo y póngase en contacto con un centro de servicio técnico autorizado.
- Evite que los animales mordisquen el cable de alimentación o la manguera de agua.
- Nunca coma alimentos congelados inmediatamente después de haberlos sacado del compartimiento del congelador.
- Asegúrese de no atascar una mano o un pie al abrir o cerrar la puerta o door-in-door del electrodoméstico.

Mantenimiento

- Cuando los estantes o las tapas de vidrio están fríos, no los limpie con agua tibia. Se rompen si se exponen a cambios repentinos de temperatura.
- No ponga los estantes boca abajo. Los estantes pueden caerse.
- Para eliminar la escarcha del electrodoméstico, póngase en contacto con un centro de servicio técnico de Samsung Electronics.
- Deseche el hielo dentro del depósito de hielo en el compartimiento del congelador durante un corte de energía prolongado.

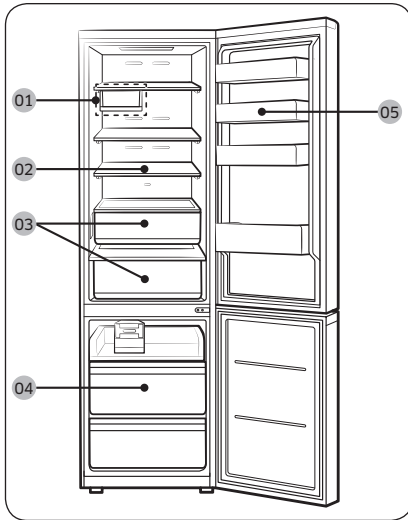


Instalación

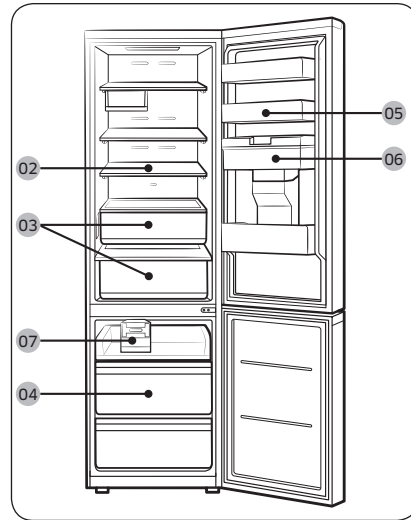
Descripción general del frigorífico

El refrigerador real y los componentes proporcionados con él pueden diferir de las ilustraciones de este manual, según el modelo y el país.

Tipo normal



Tipo dispensador



01 Bandeja múltiple *

02 Estante del frigorífico/Estante abatible *

03 Cajón de verduras *

04 Cajón del congelador

05 Compartimento de la puerta del frigorífico

06 Depósito de agua **

07 Máquina de hielo de palanca *

* solo modelos aplicables

** solo en modelos de tipo dispensador

📖 NOTA

- Para mayor eficiencia energética, asegúrese de que todos los estantes, cajones y cestas están en su posición original.
- Si necesita más espacio puede quitar todos los cajones y colocar el «estante del congelador» (solo modelos aplicables) en el cajón inferior del congelador, ya que esto no afecta a las características mecánicas ni térmicas. El volumen declarado del compartimento para almacenar alimentos congelados se ha calculado sin estos cajones.



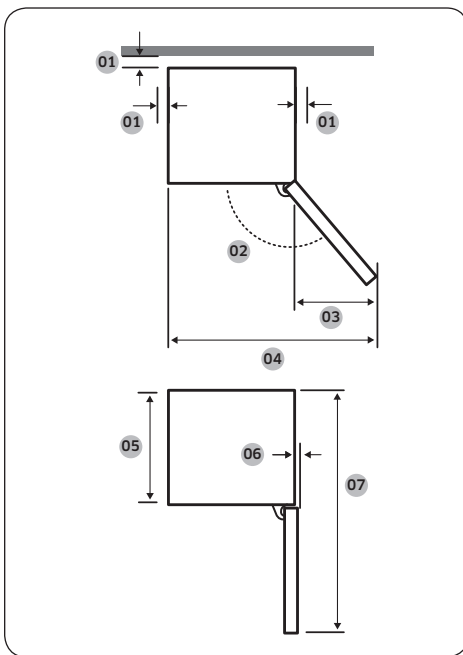
Espacio requerido

Consulte las imágenes y las tablas siguientes para las necesidades en cuanto a espacio de la instalación.



Modelo	RB45**	RB50**	RB53**
Profundidad "A"	711		
Anchura "B"	759		
Altura total "C"	1780	1920	2030

(unidad: mm)



01	se recomienda más de 50 mm
02	Frigorífico: 115°, Congelador: 120°
03	551
04	1151
05	626
06	32
07	1406

(unidad: mm)

NOTA

Las mediciones de la tabla anterior pueden diferir ligeramente de las mediciones reales, dependiendo del método de medición y redondeo.

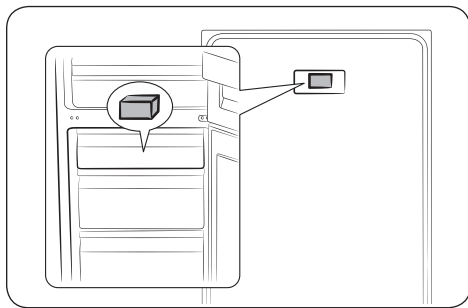


Instalación paso a paso

PASO 1 Espaciador (solo modelos aplicables)

NOTA

El número de espaciadores proporcionados varía en función del modelo. Coloque todos los espaciadores proporcionados.



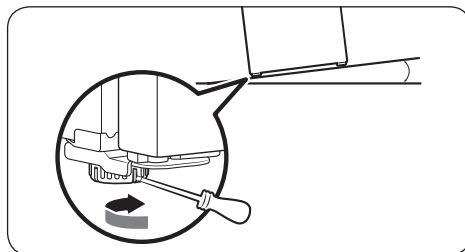
1. Abra la puerta y localice el espaciador proporcionado (bloque gris).
2. Desembale el espaciador y móntelo en la parte posterior del frigorífico, como se muestra. Ayudan a ventilar aire hacia la pared posterior y a ahorrar consumo de energía.

PASO 2 Regulación de las patas de ajuste

PRECAUCIÓN

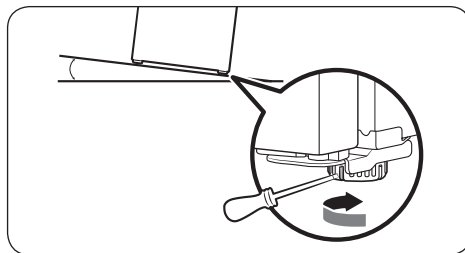
- El frigorífico debe estar nivelado sobre un suelo plano y sólido. De no hacerlo, puede causar daños al frigorífico o lesiones físicas.
- La nivelación debe hacerse con el frigorífico vacío. Asegúrese de que no quedan alimentos dentro del frigorífico.
- Por razones de seguridad, debe ajustar la parte delantera un poco más alta que la posterior.

El frigorífico puede nivelarse mediante el tornillo especial (nivelador) de las patas delanteras. Use un destornillador de punta plana para la nivelación.



Para ajustar la altura del lado izquierdo:

Introduzca un destornillador de punta plana en el nivelador de la pata delantera izquierda. Gire el nivelador en el sentido de las agujas del reloj para subir y en el sentido contrario al de las agujas del reloj para bajar.



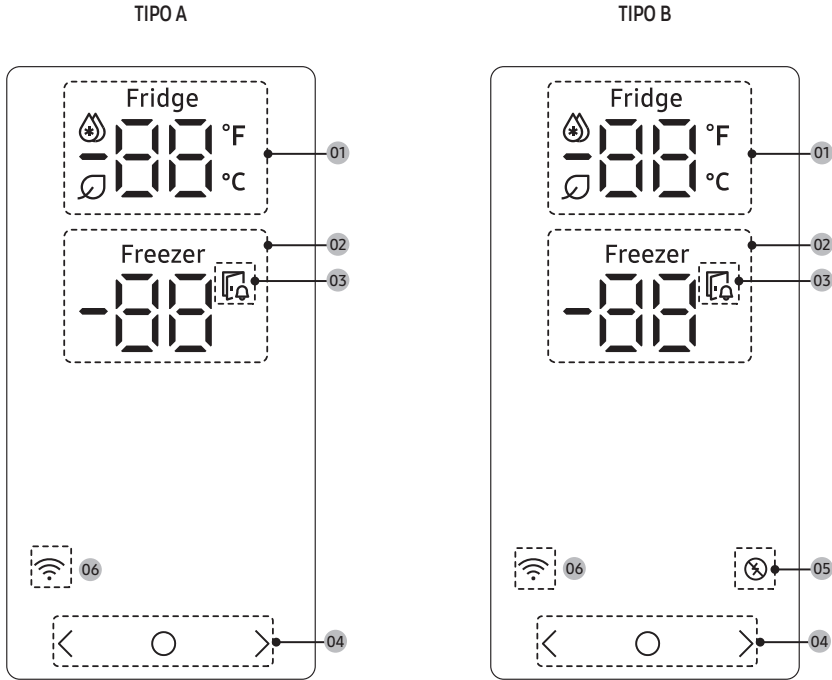
Para ajustar la altura del lado derecho:

Introduzca un destornillador de punta plana en el nivelador de la pata delantera derecha. Gire el nivelador en el sentido de las agujas del reloj para subir y en el sentido contrario al de las agujas del reloj para bajar.



Funcionamiento

Panel principal



<p>01 Indicador de frigorífico</p>	<ul style="list-style-type: none"> Muestra la temperatura actual o deseada del frigorífico. 🔥 indica que la función Enfriamiento rápido está activa. El icono 🍃 aparece si activa el AI Energy Mode en la aplicación SmartThings. (solo modelos aplicables)
<p>02 Indicador de congelador</p>	<ul style="list-style-type: none"> Muestra la temperatura actual o deseada del congelador. ❄️ indica que la función Congelación rápida está activa.
<p>03 Indicador de puerta abierta</p>	<p>Este indicador parpadea con una alarma si la puerta se deja abierta más de 2 minutos.</p>
<p>04 Botones</p>	<ul style="list-style-type: none"> Cuando la pantalla está apagada, pulse cualquier botón para encenderla. Use ○ para seleccionar el frigorífico o congelador, y < > para seleccionar la temperatura o función deseada para el compartimento seleccionado.



05 Indicador de Máxima demanda *	<ul style="list-style-type: none"> • Muestra el estado de la función Máxima demanda. • Para obtener más información sobre la función Máxima demanda, consulte el manual del usuario para visitar el sitio web de Samsung.
06 Indicador de conexión a la red	<ul style="list-style-type: none"> • Este icono indica que el frigorífico está conectado a una red. Si el icono de wifi parpadea, le recomendamos que conecte su frigorífico con la aplicación SmartThings. Puede controlar y monitorear su frigorífico a través de la aplicación SmartThings. Para obtener más información, consulte la sección SmartThings.

 **NOTA**

Si la puerta se deja abierta durante 5 minutos, la luz interna parpadeará durante 5 minutos y se apagará. Esto sirve para alertar a las personas portadoras de deficiencias auditivas de que la puerta está abierta. Tenga en cuenta que esta función es normal.

SmartThings

Instalación

Visite Google Play Store, Galaxy Apps o Apple App Store y busque «SmartThings». Descargue e instale en su dispositivo inteligente la aplicación SmartThings proporcionada por Samsung Electronics.

 **NOTA**

- La versión de software compatible de la aplicación SmartThings está sujeta a cambios de conformidad con la política de compatibilidad del sistema operativo que proporciona el fabricante. Además, en cuanto a la aplicación SmartThings o a las funciones que admite la aplicación, la nueva política de actualización de la aplicación en la versión existente del sistema operativo se puede suspender debido a razones de uso o seguridad.
- La aplicación SmartThings está sujeta a cambios sin previo aviso para mejorar la facilidad de uso o el rendimiento. Como la versión del sistema operativo del teléfono móvil se actualiza cada año, SmartThings también se actualiza continuamente de acuerdo con el último sistema operativo. Si tiene alguna pregunta sobre los elementos mencionados anteriormente, póngase en contacto con nosotros en st.service@samsung.com
- Entre los sistemas de cifrado recomendados se incluyen WPA/TKIP y WPA2/AES. El resto de protocolos de autenticación wifi no estándares o más recientes no son compatibles.
- Las redes inalámbricas pueden resultar afectadas por los entornos de comunicación inalámbrica que las rodean.
- Si su proveedor de servicios de Internet ha registrado la dirección MAC de su PC o módem para identificación, su Samsung Smart Refrigerator puede fallar al conectarse a Internet. En este caso, póngase en contacto con su proveedor de servicios de Internet para recibir asistencia técnica.
- La configuración de firewall de su sistema de red puede impedir que su Samsung Smart Refrigerator acceda a Internet. Póngase en contacto con su proveedor de servicios de Internet para recibir asistencia técnica. Si el síntoma continúa, póngase en contacto con un centro de servicio local de Samsung o con el establecimiento de compra.
- Para configurar los ajustes del punto de acceso (PA) inalámbrico, consulte el manual de usuario del PA (enrutador).
- Los Samsung Smart Refrigerators admiten tanto los protocolos de wifi 2,4 GHz con IEEE 802.11 b/g/n como Soft-AP. (Se recomienda IEEE 802.11 n).
- Es posible que los enrutadores inalámbricos wifi no autorizados no logren conectarse a los frigoríficos inteligentes Samsung correspondientes.



Cuenta de Samsung

Para usar la aplicación, se le pedirá que registre su cuenta de Samsung. Si no tiene una cuenta de Samsung, siga las instrucciones en pantalla de la aplicación para crear una cuenta de Samsung gratuita.

Introducción

Encienda el dispositivo que desea conectar, abra la aplicación SmartThings en su teléfono y siga las instrucciones que se indican a continuación.

Si aparece un mensaje de nuevo dispositivo encontrado, pulse **ADD NOW (AÑADIR AHORA)**.

Si no aparece ningún mensaje, pulse el botón **+** y seleccione el dispositivo que desea conectar de la lista de dispositivos disponibles.

Si su dispositivo no aparece en la lista de dispositivos disponibles, pulse **Supported Devices (Dispositivos admitidos)**, seleccione el tipo de dispositivo (Frigorífico) y seleccione el modelo de dispositivo específico.

Siga las instrucciones de la aplicación para configurar su dispositivo. Una vez finalizada la configuración, su frigorífico aparecerá como una «tarjeta» en su pantalla de **Devices (Dispositivos)**.

Aplicación del frigorífico

Control integrado

Puede controlar y supervisar su frigorífico desde casa y desde fuera de ella.

- Pulse el icono de frigorífico en el Panel de SmartThings o el icono de Dispositivos en la parte inferior del Panel y, a continuación, pulse la «tarjeta» del frigorífico para abrir la página del Frigorífico.
- Revise el estado de funcionamiento o las notificaciones relativas a su frigorífico y, a continuación, cambie las opciones o los ajustes si es necesario.

NOTA

Es posible que algunas opciones o ajustes del frigorífico no estén disponibles para el control remoto.

Mantenimiento

Limpieza

Interior y exterior

⚠ ADVERTENCIA

- No utilice benceno, disolventes, detergente para el hogar o el automóvil, ni Clorox™ para limpiar el frigorífico. Podría dañar la superficie del frigorífico y provocar un incendio.
- No rocíe agua sobre el frigorífico. Se podría producir una descarga eléctrica.

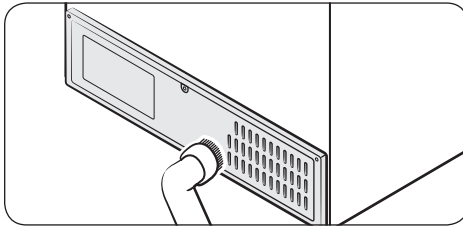
Utilice regularmente un paño seco para limpiar cualquier sustancia extraña, como polvo o agua, de los terminales del enchufe y los puntos de contacto.

1. Desenchufe el cable de alimentación.
2. Utilice un paño suave y sin pelusa o una toalla de papel humedecidos para limpiar el interior y el exterior del frigorífico.
3. A continuación, seque bien con un paño o una toalla de papel secos.
4. Enchufe el cable de alimentación.

Cierres de goma

Si los cierres de goma de una puerta están sucios, es posible que la puerta no cierre bien y el rendimiento y la eficiencia del frigorífico se reduzcan. Use un detergente suave y un paño húmedo para limpiar los cierres de goma. Después séquelos bien con un paño.

Panel posterior



Para mantener limpios los cables y las partes expuestas del panel posterior, aspire el panel una o dos veces al año.

⚠ PRECAUCIÓN

No retire la tapa del panel posterior. Puede producirse una descarga eléctrica.

Lámparas LED

Para reemplazar las lámparas del frigorífico, póngase en contacto con un centro local de servicio técnico de Samsung.

⚠ ADVERTENCIA

El usuario no debe reemplazar las lámparas. No intente sustituir una lámpara usted mismo. Se puede producir una descarga eléctrica.

Lámpara (fuente de luz)

Este producto contiene una fuente de luz de clase de eficiencia energética <G>.

La(s) lámpara(s) o los auxiliares eléctricos no son reparables por parte del usuario. Para sustituir la(s) lámpara(s) o los auxiliares eléctricos del producto, póngase en contacto con un centro local de servicio técnico de Samsung.

Para obtener instrucciones detalladas sobre la sustitución de la(s) lámpara(s) o los auxiliares eléctricos de su producto, visite el sitio web de Samsung (<http://www.samsung.com>), vaya a Support > Support home (Soporte > Página de inicio de soporte), y luego introduzca el nombre del modelo.

Para obtener instrucciones detalladas sobre el desmantelamiento de la(s) lámpara(s) o los auxiliares eléctricos, simplemente siga las instrucciones de sustitución, tal y como se ha descrito anteriormente.

Anuncio de código abierto

El software incluido en este producto contiene software de código abierto. Puede obtener el código fuente correspondiente completo durante un período de tres años después del último envío de este producto al ponerse en contacto con nuestro equipo de asistencia a través de <http://opensource.samsung.com> (utilice el menú «Consulta»).

También es posible obtener el código fuente correspondiente completo en un soporte físico como un CD-ROM. Se le exigirá un pago mínimo.

La siguiente URL http://opensource.samsung.com/opensource/COMMON_TZ6_0/seq/0 dirige a la información de licencia del código abierto relacionada con este producto. Esta oferta es válida para cualquiera que reciba esta información.

Apéndice

Instrucciones de seguridad

- Para un uso más eficiente de la energía, mantenga todos los accesorios internos, como cestas, cajones, estantes y bandejas de cubitos de hielo, en la posición en la que los entrega el fabricante.
- Este aparato frigorífico no está diseñado para utilizarse como aparato empotrado.

Instrucciones de instalación

Para los aparatos frigoríficos con clase climática

Según la clase climática, este aparato frigorífico está diseñado para utilizarse en el rango de temperaturas ambiente como se especifica en la tabla siguiente.

La clase climática se encuentra en la placa de características. Es posible que el producto no funcione correctamente a temperaturas fuera del rango específico.

Puede encontrar la clase climática en la etiqueta del interior de su frigorífico

Rango de temperatura efectiva

Este frigorífico está diseñado para funcionar normalmente en el rango de temperatura especificado por su categoría de calificación.

Clase	Símbolo	Rango de temperatura ambiente (°C)	
		IEC 62552 (ISO 15502)	ISO 8561
Templado prolongado	SN	+10 a +32	+10 a +32
Templado	N	+16 a +32	+16 a +32
Subtropical	ST	+16 a +38	+18 a +38
Tropical	T	+16 a +43	+18 a +43

NOTA

La capacidad de enfriamiento y el consumo de energía del frigorífico pueden verse afectados por la temperatura ambiente, la frecuencia con que se abre la puerta y la ubicación del electrodoméstico. Se recomienda ajustar la configuración de la temperatura según sea apropiado.

Instrucciones sobre la temperatura

Temperatura recomendada

Ajuste perfecto de temperatura para el almacenamiento de alimentos:

- Frigorífico: 3 °C
- Congelador: -19 °C

NOTA

El ajuste de temperatura óptimo de cada compartimento depende de la temperatura ambiente. Por encima de la temperatura ambiente se basa en la temperatura ambiente de 25 °C.



Enfriamiento rápido

Enfriamiento rápido acelera el proceso de enfriamiento con la velocidad máxima del ventilador. El frigorífico funciona a la máxima velocidad durante dos horas y media, y luego vuelve a la temperatura anterior.

Congelación rápida

Congelación rápida acelera el proceso de congelación a su máxima velocidad. El congelador funciona a la máxima velocidad durante 50 horas y luego vuelve a la temperatura anterior. Para congelar grandes cantidades de alimentos, active Congelación rápida al menos 20 horas antes de guardar alimentos en el congelador.

NOTA

El uso de esta función aumenta el consumo energético del frigorífico. No se olvide de desactivarla cuando no la utilice y restablezca el ajuste de temperatura original del congelador.

Cómo almacenar para una mejor conservación (solo modelos aplicables)

Tape los alimentos para que retengan la humedad y para evitar que adquieran olores de otros alimentos. Los grandes recipientes de comida como sopas o guisos deben dividirse en porciones menores y colocarse en recipientes menos profundos antes de refrigerarse. Los cortes grandes de carne o las aves enteras deben dividirse en trozos más pequeños y colocarse en recipientes menos profundos antes de refrigerarse.

Colocación de los alimentos

Estantes	Los estantes deben poder ajustarse para almacenar diferentes envases.
Compartimento especializado (solo modelos aplicables)	Los cajones sellados son el ambiente perfecto para almacenar frutas y verduras. Las verduras necesitan condiciones de mayor humedad, mientras que las frutas necesitan condiciones de menor humedad. Los cajones de verduras están equipados con dispositivos de control que controlan el nivel de humedad. (*En función del modelo y opciones) Un cajón para carne con temperatura regulable maximiza el tiempo de almacenamiento de carnes y quesos.
Almacenamiento en la puerta	No almacene alimentos perecederos en la puerta. Los huevos deben almacenarse en el cartón o en una estante. La temperatura en los compartimentos de almacenamiento de la puerta fluctúa más que la temperatura del armario. Mantenga la puerta cerrada el mayor tiempo posible.
Compartimento del congelador	En el compartimento del congelador puede almacenar comida congelada, hacer cubos de hielo y congelar comida fresca.

NOTA

Congele únicamente alimentos frescos y en buen estado. Mantenga separados los alimentos que vaya a congelar y los ya congelados. Para que los alimentos no pierdan su aroma ni se sequen, colóquelos en recipientes herméticos.



Cuadro de almacenamiento del frigorífico y el congelador

La duración en que los alimentos permanecen frescos depende de la temperatura y de la exposición a la humedad. Puesto que las fechas en los productos no son una guía para su consumo seguro, consulte este cuadro y siga estos consejos.

Producto		Frigorífico	Congelador
Productos lácteos	Leche	1 semana	1 mes
	Mantequilla	2 semanas	12 meses
	Queso para untar	2 semanas	No recomendado
Carne	Chuletas, filetes y asados frescos	3-4 días	2-3 meses
	Salchichas, carne cruda de cerdo, ternera, pavo	1-2 días	1-2 meses
Aves / Huevos	Aves frescas	2 días	6-8 meses
	Huevos, frescos en estante	2-4 semanas	No recomendado
Pescado / Marisco	Pescado fresco	1-2 días	3-6 meses
	Pescado seco o en escabeche	3-4 semanas	-
Fruta	Manzanas	1 mes	-
	Otra fruta fresca	3-5 días	9-12 meses
Verduras	Espárragos	2-3 días	-
	Brócoli, coles de Bruselas, guisantes, setas	3-5 días	-
	Repollo, coliflor, apio, pepino, lechuga	1 semana	-
	Zanahoria, remolacha, rábano	2 semanas	-

Información para el modelo y el pedido de piezas de repuesto

Información del modelo

Para acceder a la información del etiquetado energético de este producto en el registro europeo de productos para el etiquetado energético (EPREL), escanee el código QR que figura en la etiqueta energética.

Encontrará el código QR en la etiqueta energética incluida en la caja del producto.

Información sobre las piezas

- El período mínimo durante el cual se dispone de las piezas de repuesto necesarias para la reparación del aparato es
 - 7 años para termostatos, sensores de temperatura, placas de circuitos impresos y fuentes de luz, tiradores de puertas, bisagras de puertas, bandejas, cestas (cajas o cajones)
 - 10 años para juntas de puertas
- La duración mínima de la garantía del aparato frigorífico ofrecida por el fabricante es de 24 meses.
- Información pertinente para solicitar piezas de repuesto, directamente o a través de otros canales proporcionados por el fabricante, el importador o el representante autorizado.
- Puede encontrar información sobre reparación profesional en <http://samsung.com/support>.
Puede encontrar el manual de mantenimiento del usuario en <http://samsung.com/support>.

NOTA

Por la presente, Samsung declara que este equipo de radio cumple con la Directiva 2014/53/UE y con los requisitos legales pertinentes en el Reino Unido.

El texto completo de la declaración de conformidad de la Unión Europea y de la declaración de conformidad del Reino Unido está disponible en la siguiente dirección de Internet: La declaración de conformidad oficial puede encontrarse en <http://www.samsung.com>; vaya a Soporte > Buscar soporte del producto, e introduzca el nombre del modelo.

	Rango de frecuencia	Potencia del transmisor (máx.)
Wifi	2412 - 2472 MHz	20 dBm
Bluetooth	2402 - 2480 MHz	20 dBm

Contacto con SAMSUNG WORLD WIDE

Si tiene preguntas o comentarios relacionados con los productos de Samsung, póngase en contacto con el centro de atención al cliente de SAMSUNG.

País	Centro de contacto	Sitio web
FRANCE	01 48 63 00 00	www.samsung.com/fr/support
GERMANY	06196 77 555 77	www.samsung.com/de/support
LUXEMBURG	261 03 710	www.samsung.com/be_fr/support
NETHERLANDS	088 90 90 100	www.samsung.com/nl/support
BELGIUM	02-201-24-18	www.samsung.com/be/support (Dutch) www.samsung.com/be_fr/support (French)
NORWAY	21629099	www.samsung.com/no/support
DENMARK	707 019 70	www.samsung.com/dk/support
FINLAND	030-6227 515	www.samsung.com/fi/support
SWEDEN	0771-400 300	www.samsung.com/se/support
CYPRUS	8009 4000 only from landline, toll free	www.samsung.com/gr/support
GREECE	80111-SAMSUNG (80111 726 7864) only from land line (+30) 210 6897691 from mobile and land line	
ITALIA	800-SAMSUNG (800.7267864)	www.samsung.com/it/support
PORTUGAL	210 608 098 Chamada para a rede fixa nacional Dias úteis das 9h às 20h	www.samsung.com/pt/support
SPAIN	91175 0015	www.samsung.com/es/support



DA68-04780Q-00

Frigorífico

Manual do utilizador simples

Aparelho não encastrável

- De modo a poupar recursos valiosos, estamos a reduzir os manuais em papel e a fornecer manuais do utilizador eletrónicos que pode consultar no seu smartphone ou num site.
- Consulte as instruções de utilização do produto nos manuais do utilizador fornecidos por código QR ou o site da Samsung Electronics (<http://www.samsung.com/sec/>).
- Para mais informações sobre os tópicos que se seguem, visite o site da Samsung (<http://www.samsung.com>), aceda a Suporte e pesquise pelo nome do modelo.
 - Como minimizar o consumo de energia, sugestões adicionais para uma utilização adequada, operações, manutenção, tipo de frigorífico, especificações (dimensões).

Visualização dos manuais do utilizador

1. Inicie uma aplicação de leitura de códigos QR e leia a imagem QR incluída com o produto.
2. Verá um menu onde pode selecionar o registo do produto, a visualização dos manuais ou a ligação a um serviço. Ao selecionar um manual, poderá ver o manual do produto que adquiriu.

SAMSUNG



Índice

Informações de segurança	3	Manutenção	16
Precuções de segurança importantes	4	Limpeza	16
Instruções sobre REEE	8		
Guia de segurança	8	Apêndice	17
Instalação	10	Instrução de segurança	17
Visão geral do frigorífico	10	Instrução de instalação	17
Folga	11	Instrução de temperatura	17
Instalação passo a passo	12	Informações sobre o modelo e a encomenda de peças de substituição	19
Operações	13		
Painel principal	13		
SmartThings	14		



Informações de segurança

- O gás R-600a ou R-134a é utilizado como refrigerante. Verifique a etiqueta do compressor na parte posterior do aparelho ou a etiqueta de classificação no interior do frigorífico para saber qual o refrigerante utilizado no seu aparelho. Se este produto contiver gás inflamável (refrigerante R-600a), contacte as autoridades locais para saber como eliminar este produto em segurança.
- Para evitar a formação de uma mistura inflamável de gás e ar, na eventualidade de uma fuga no circuito de refrigeração, o tamanho da divisão onde o aparelho poderá ser instalado depende da quantidade de refrigerante utilizado.
- Nunca ligue um aparelho que aparente estar danificado. Em caso de dúvida, consulte o seu distribuidor. A divisão tem de ter 1 m³ de dimensão para cada 8 g de refrigerante R-600a no interior do aparelho.
- Para evitar a contaminação de alimentos, respeite as seguintes instruções:
 - Deixar a porta aberta durante muito tempo pode originar um aumento de temperatura significativo nos compartimentos do aparelho.
 - Limpe regularmente as superfícies que estejam em contacto com alimentos e sistemas de drenagem acessíveis.
 - Se os depósitos de água não tiverem sido utilizados durante 48 horas, limpe-os; se a água for a mesma durante 5 dias, lave o sistema de abastecimento de água ligado a uma fonte de abastecimento de água.
 - Armazene carne e peixe crus em recipientes adequados no frigorífico, de modo a não entrarem em contacto com outros alimentos e para que não pinguem sobre estes.

- Os compartimentos de alimentos congelados de duas estrelas são adequados para armazenar alimentos pré-congelados e para armazenar ou fazer gelados; também são adequados para fazer cubos de gelo.
 - Os compartimentos de uma, duas e três estrelas não são adequados para congelar alimentos frescos.
 - Se o aparelho de refrigeração ficar vazio durante muito tempo, desligue-o, descongele-o, limpe-o, seque-o e deixe a porta aberta para evitar a formação de bolor no interior.
- Encha apenas com água potável.
 - Ligue o frigorífico apenas a uma fonte de abastecimento de água potável.
 - Mantenha as aberturas de ventilação do aparelho e da estrutura incorporada desobstruídas.
 - Não utilize dispositivos mecânicos ou quaisquer outros meios para acelerar o processo de descongelação, que não sejam os recomendados pelo fabricante.
 - Não danifique o circuito de refrigeração.
 - Não utilize aparelhos elétricos dentro dos compartimentos do frigorífico destinados à conservação de alimentos, a menos que sejam do tipo recomendado pelo fabricante.
 - Este aparelho não se destina a ser utilizado por pessoas (incluindo crianças) com capacidades físicas, sensoriais ou mentais reduzidas, nem por pessoas com falta de experiência e conhecimentos, exceto se forem supervisionadas ou lhes tiverem sido dadas instruções sobre a utilização do aparelho por uma pessoa responsável pela sua segurança.

Precauções de segurança importantes



Aviso; risco de incêndio/materiais inflamáveis

AVISO

- Ao instalar o aparelho, assegure-se de que o cabo de alimentação não está preso nem danificado.
- Não coloque extensões de tomadas múltiplas nem fontes de alimentação portáteis atrás do aparelho.

- Este aparelho pode ser utilizado por crianças com idade igual ou superior a oito anos, por pessoas com capacidades mentais, sensoriais ou físicas reduzidas ou por pessoas com falta de experiência e conhecimentos de utilização desde que sejam supervisionadas ou tenham recebido instruções relativas à utilização segura do aparelho e que percebam os eventuais riscos envolvidos. As crianças não devem brincar com o aparelho. A limpeza e manutenção necessárias não devem ser feitas por crianças sem supervisão de um adulto responsável. As crianças dos 3 aos 8 anos podem carregar e descarregar aparelhos de refrigeração.
- Se o cabo de alimentação estiver danificado, tem de ser substituído pelo fabricante, pelo respetivo representante da assistência ou por agentes qualificados, para evitar qualquer tipo de risco.
- A tomada tem de ter acesso fácil, para que o aparelho possa ser desligado rapidamente da corrente, em caso de emergência.
 - Tem de estar fora da área da parte de trás do aparelho.
- Não armazene substâncias explosivas, tais como latas de aerossóis com um propulsor inflamável, neste aparelho.
- Se o produto estiver equipado com lâmpadas LED, não desmonte as proteções das lâmpadas nem substitua as lâmpadas LED sem assistência.
 - Contacte um centro de assistência técnica da Samsung.
 - Utilize apenas lâmpadas LED fornecidas pelo fabricante ou pelo representante da assistência.
- Devem ser utilizados novos conjuntos de mangueiras fornecidos com o aparelho e os conjuntos de mangueiras antigos não devem ser reutilizados.

- Ligue o sistema de abastecimento de água do frigorífico apenas a uma fonte de abastecimento de água potável. Para que o módulo de produção de gelo funcione corretamente, é necessária uma pressão de água de 206 a 861 kPa (30 a 125 psi).
- Para uma utilização mais eficiente da energia, mantenha todos os acessórios internos, tais como cestos, gavetas e prateleiras, na posição definida pelo fabricante.
- Para obter a melhor eficiência energética deste produto, deixe todas as prateleiras, gavetas e cestos na sua posição original.


Este aparelho de uso doméstico destina-se também a ser utilizado em aplicações semelhantes como:

- em zonas de cozinha de funcionários em lojas, escritórios e em outros ambientes de trabalho;
- em casas de campo/quintas, hotéis, motéis e outros tipos de ambientes residenciais;
- em ambientes tipo pousada;

- em serviços de catering e em outras aplicações semelhantes que não se destinem a retalho.

⚠ AVISO

- Este aparelho contém uma pequena quantidade de refrigerante isobutano (R-600a), um gás natural com elevada compatibilidade ambiental, embora seja também combustível. Quando transportar e instalar o aparelho, deverá ter cuidado para garantir que nenhuma peça do circuito de refrigeração fica danificada.
- Não coloque objetos ou substâncias voláteis ou inflamáveis (benzeno, diluente, gás propano, álcool, éter, gás de petróleo liquefeito e outros produtos semelhantes) no frigorífico.
 - Este frigorífico destina-se exclusivamente a armazenar alimentos.
 - Tal pode resultar em incêndio ou explosão.

- Encha o depósito de água e as cuvetes de gelo apenas com água potável (água mineral ou purificada).
 - Não encha o depósito com chá, sumo ou refrigerantes, pois tal poderá danificar o frigorífico.
- O gás R-600a ou R-134a é utilizado como refrigerante. Verifique a etiqueta do compressor na parte posterior do aparelho ou a etiqueta de classificação no interior do frigorífico para saber qual o refrigerante utilizado no seu frigorífico. Se este frigorífico contiver gás inflamável (refrigerante R-600a), contacte as autoridades locais para saber como eliminar este produto em segurança.
- Ao eliminar este frigorífico, retire a porta/as vedações da porta e o fecho de segurança, para que crianças pequenas ou animais não corram o risco de ficar presos no interior. As crianças devem ser vigiadas para impedir que brinquem com o aparelho. Caso fique presa no interior, uma criança pode magoar-se ou sufocar até à morte.
 - Caso fique presa no interior, uma criança pode magoar-se e sufocar até à morte.
- O ciclopentano é utilizado no isolamento. Os gases existentes no material de isolamento requerem um procedimento de eliminação especial. Contacte as autoridades locais relativamente à eliminação não prejudicial para o ambiente deste produto.
- A temperatura da secção (secções) de duas estrelas ou do compartimento (compartimentos) com o símbolo de duas estrelas () é ligeiramente mais elevada do que noutros compartimentos do congelador. A localização da secção (secções) de duas estrelas ou do compartimento (compartimentos) pode (podem) variar consoante os produtos; por isso, consulte as instruções e/ou as condições em que são entregues.

Instruções sobre REEE



Eliminação Correcta Deste Produto (Resíduos de Equipamentos Eléctricos e Electrónicos)

(Aplicável a países cujos sistemas de recolha sejam separados)

Esta marca apresentada no produto, nos acessórios ou na literatura – indica que o produto e os seus acessórios electrónicos (por exemplo, o carregador, o auricular, o cabo USB) não deverão ser eliminados juntamente com os resíduos domésticos no final do seu período de vida útil. Para impedir danos ao ambiente ou à saúde humana causados pela eliminação incontrolada de resíduos, deverá separar estes equipamentos de outros tipos de resíduos e reciclá-los de forma responsável, para promover uma reutilização sustentável dos recursos materiais.

Os utilizadores domésticos deverão contactar o estabelecimento onde adquiriram este produto ou as entidades oficiais locais para obterem informações sobre onde e de que forma podem entregar estes equipamentos para permitir efectuar uma reciclagem segura em termos ambientais.

Os utilizadores profissionais deverão contactar o seu fornecedor e consultar os termos e condições do contrato de compra. Este produto e os seus acessórios electrónicos não deverão ser misturados com outros resíduos comerciais para eliminação.

Para obter informações sobre os compromissos ambientais da Samsung e as obrigações regulamentares do produto, por exemplo, as Diretivas REACH, REEE e de Baterias, visite a nossa página sobre sustentabilidade, disponível através do site www.samsung.com

(Apenas para produtos vendidos em países europeus)

Guia de segurança

LER TODAS AS INSTRUÇÕES ANTES DA UTILIZAÇÃO

As linhas de orientação de segurança que se seguem destinam-se à prevenção de riscos imprevistos ou danos resultantes do funcionamento incorreto ou pouco seguro do aparelho.

As linhas de orientação dividem-se em mensagens de "AVISO" e "ATENÇÃO", conforme abaixo descrito.

Mensagens de segurança

Este símbolo indica comportamentos e operações que podem causar riscos. Leia atentamente as instruções indicadas com este símbolo e siga-as de forma a evitar riscos.

⚠ AVISO

Isto indica que o incumprimento das instruções pode provocar ferimentos graves ou morte.

⚠ ATENÇÃO

Isto indica que o incumprimento das instruções pode provocar ferimentos ligeiros ou danos no produto.

⚠ AVISO

De modo a diminuir o risco de explosão, incêndio, morte, choque elétrico, ferimentos ou queimaduras durante a utilização do produto, siga precauções básicas como as que se seguem:

Instalação

- Este aparelho apenas deve ser transportado por duas ou mais pessoas, as quais devem segurá-lo bem.
- Instale o aparelho numa superfície firme e nivelada.
- Não instale o aparelho num local húmido ou com pó. Não instale ou armazene o aparelho no exterior ou em qualquer área sujeita a condições climáticas como a luz solar direta, vento, chuva ou temperaturas abaixo de zero.
- Não coloque o aparelho num local com exposição solar direta ou próximo de aparelhos que emanem calor como fogões ou aquecedores.
- Tenha cuidado para não expor a parte posterior do aparelho durante a instalação.
- Instale o aparelho num local onde tenha fácil acesso à respetiva ficha de alimentação.
- Tenha cuidado para não deixar cair a porta do aparelho durante a montagem ou desmontagem.

- Tenha cuidado para não trilhar, esmagar ou danificar o cabo de alimentação durante a montagem ou desmontagem da porta do aparelho.
- Tenha cuidado para não apontar a ficha de alimentação para cima ou encostar o aparelho à ficha.
- Não ligue um adaptador de tomada ou outros acessórios à ficha de alimentação.
- Não modifique ou prolongue o cabo de alimentação.
- Certifique-se de que a tomada tem ligação à terra e de que o pino de terra do cabo de alimentação não está danificado e não é retirado da ficha. Para saber mais sobre a ligação à terra, consulte um centro de assistência da Samsung Electronics.
- Este aparelho está equipado com um cabo de alimentação que inclui um condutor de ligação à terra e uma ficha de ligação à terra. A ficha deve ser ligada a uma tomada adequadamente instalada e ligada à terra em conformidade com todos os códigos e decretos locais.
- Nunca ligue um aparelho que aparente estar danificado. Em caso de dúvida, consulte o seu distribuidor.
- Não ligue o aparelho a adaptadores para várias tomadas sem cabo de alimentação (de parede).
- O aparelho deve ser ligado a uma linha elétrica própria com um fusível separado.
- Não use uma tomada múltipla sem uma ligação à terra adequada (portátil). Se utilizar uma tomada múltipla (portátil) com ligação à terra adequada, certifique-se de que tem uma capacidade de corrente igual ou superior à do cabo de alimentação, e use a tomada apenas para o aparelho.
- Elimine todos os materiais de embalagem (como sacos de plástico e esferovite) longe das crianças. Os materiais de embalagem podem provocar asfixia.

Funcionamento

- Ao abrir ou fechar a porta do aparelho, tenha atenção a crianças na sua proximidade. A porta pode atingir a criança e causar ferimentos.
- Evite que as crianças fiquem presas dentro do aparelho. Uma criança presa no interior do aparelho poderá sofrer asfixia.

ATENÇÃO

Para reduzir o risco de ferimentos ligeiros, avaria, danos ao produto ou danos materiais, siga precauções básicas durante a utilização do produto, incluindo as que se seguem:

Funcionamento

- Não toque nos alimentos congelados ou nas partes metálicas do compartimento do congelador com as mãos molhadas ou húmidas. Pode ficar com queimaduras de frio.
- Não coloque recipientes de vidro, garrafas ou latas (especialmente de bebidas gaseificadas) em áreas expostas a temperaturas abaixo de zero, como o compartimento do congelador, as prateleiras ou o compartimento de gelo.
- O vidro temperado na parte da frente da porta do aparelho ou nas prateleiras pode ser danificado por um impacto. Se o vidro se partir, não lhe toque com as mãos.
- Não se segure nem suba para as portas do aparelho, o espaço de armazenamento ou as prateleiras.
- Não guarde uma quantidade excessiva de garrafas de água ou recipientes para acompanhamentos nos cestos da porta.
- Não abra ou feche a porta do aparelho com demasiada força.
- Se a dobradiça da porta estiver danificada ou não funcionar corretamente, pare de usar o aparelho e contacte um centro de assistência autorizado.
- Não deixe que os animais mordam o cabo de alimentação ou a mangueira de água.
- Nunca coma alimentos congelados imediatamente depois de os retirar do compartimento do congelador.
- Certifique-se de que não entala uma mão ou um pé ao abrir ou fechar as portas do aparelho.

Manutenção

- Não limpe prateleiras ou tampas de vidro com água morna quando estas estão frias. Se forem expostas a mudanças súbitas de temperatura, podem partir-se.
- Não coloque as prateleiras viradas para baixo. Podem cair.
- Para remover o gelo acumulado dentro do aparelho, contacte um centro de assistência da Samsung Electronics.
- Elimine o gelo dentro do compartimento de gelo do congelador durante um corte de energia prolongado.

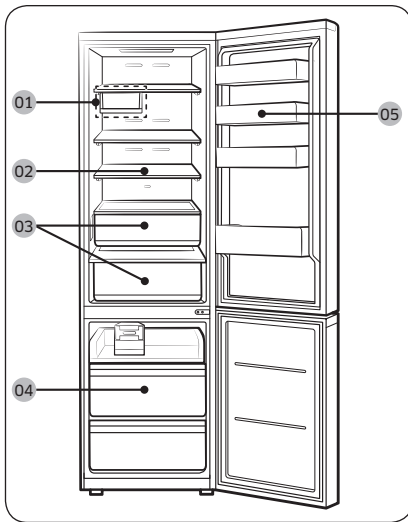


Instalação

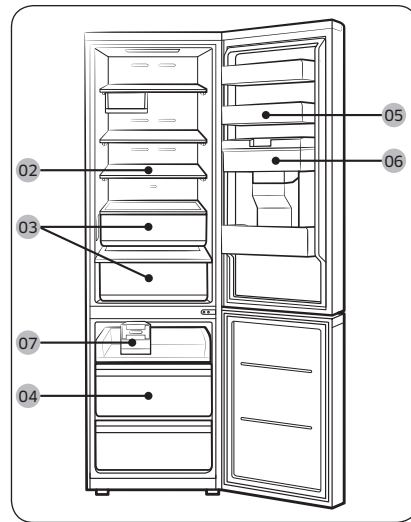
Visão geral do frigorífico

O frigorífico e os componentes do frigorífico fornecidos podem variar das imagens neste manual, consoante o modelo e o país.

Tipo normal



Tipo dispensador



01 Tabuleiro múltiplo *

02 Prateleira do frigorífico/prateleira rebatível *

03 Gaveta de vegetais *

04 Gaveta do congelador

05 Compartimento da porta do frigorífico

06 Depósito de água **

07 Módulo rotativo de produção de gelo *

* apenas nos modelos aplicáveis

** apenas nos modelos de tipo dispensador

NOTA

- Para obter a melhor eficiência energética possível, certifique-se de que todos os cestos, prateleiras e gavetas estão colocados na respetiva posição original.
- Para obter mais espaço, pode retirar todas as gavetas e colocar a "Prateleira do congelador" (apenas nos modelos aplicáveis) na gaveta de baixo do congelador, uma vez que não afeta as características térmicas nem mecânicas. A capacidade declarada de armazenamento de alimentos congelados deste compartimento é calculada sem as gavetas.



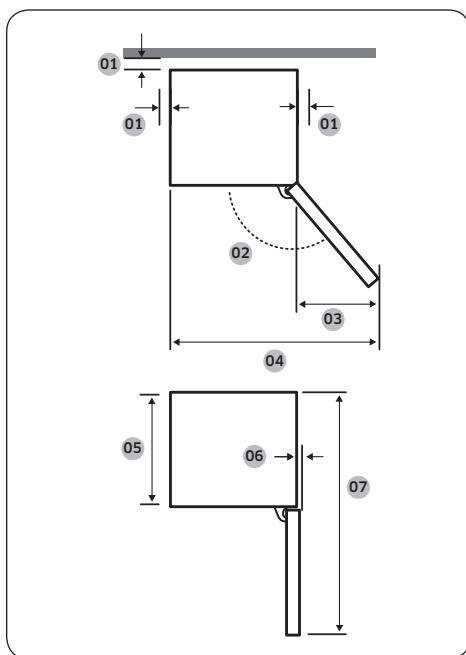
Folga

Consulte as imagens e as tabelas a seguir para saber os requisitos de espaço de instalação.



Modelo	RB45**	RB50**	RB53**
Profundidade "A"	711		
Largura "B"	759		
Altura total "C"	1780	1920	2030

(unidade: mm)



01	mais de 50 mm recomendável
02	Frigorífico: 115°, Congelador: 120°
03	551
04	1151
05	626
06	32
07	1406

(unidade: mm)

NOTA

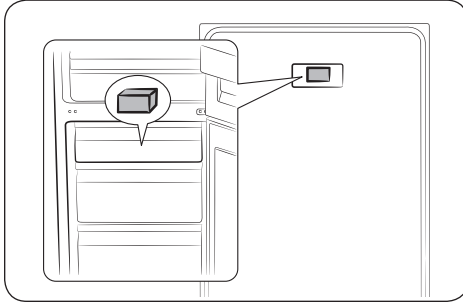
As medidas na tabela acima podem variar ligeiramente das medidas reais, consoante o método de medição e arredondamento.

Instalação passo a passo

PASSO 1 Espaçamento (apenas nos modelos aplicáveis)

NOTA

O número de espaçadores fornecidos varia consoante o modelo. Fixe todos os espaçadores fornecidos.



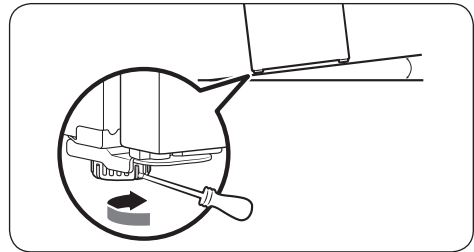
1. Abra a porta e localize o espaçador fornecido (bloco cinzento).
2. Desembale o espaçador e fixe-o à parte posterior do frigorífico, conforme ilustrado. Os espaçadores ajudam a ventilar o ar para a parede posterior e a reduzir o consumo de energia.

PASSO 2 Ajustar os pés de nivelamento

ATENÇÃO

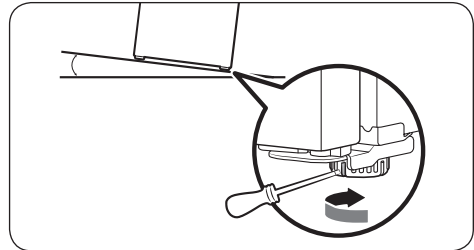
- É necessário nivelar o frigorífico sobre uma superfície plana e resistente. Se não o fizer, pode danificar o frigorífico ou causar ferimentos.
- O nivelamento tem de ser efetuado com o frigorífico vazio. Certifique-se de que não existem alimentos no interior do frigorífico.
- Por motivos de segurança, coloque a parte dianteira um pouco mais acima do que a parte traseira.

É possível nivelar o frigorífico utilizando os pés dianteiros que têm um parafuso especial (nivelador) para efeitos de nivelamento. Utilize uma chave de fendas de ponta plana para efetuar o nivelamento.



Para ajustar a altura do lado esquerdo:

Introduza uma chave de fendas de ponta plana no nivelador do pé dianteiro esquerdo. Rode o nivelador para a direita para levantar ou para a esquerda para baixar.

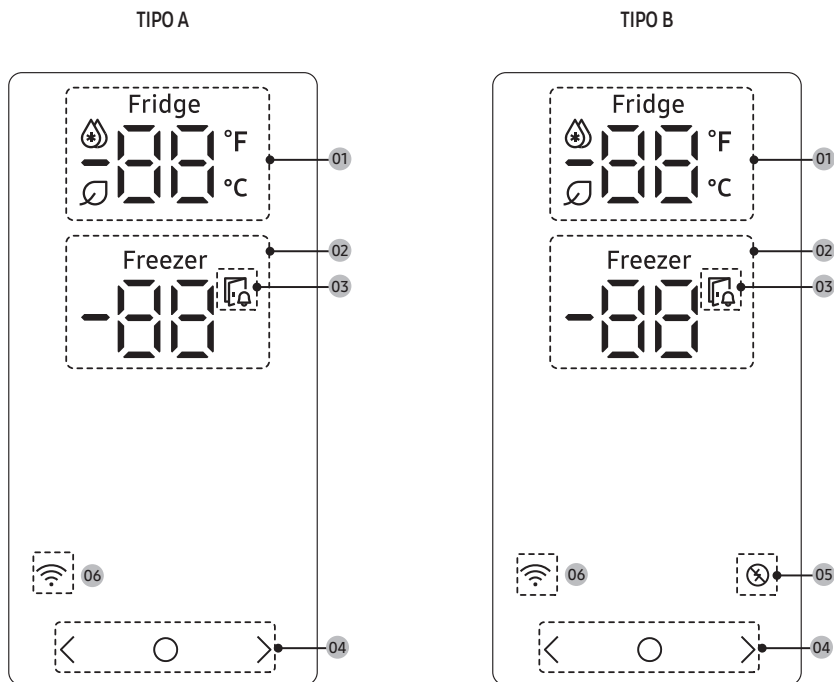


Para ajustar a altura do lado direito:

Introduza uma chave de fendas de ponta plana no nivelador do pé dianteiro direito. Rode o nivelador para a direita para levantar ou para a esquerda para baixar.

Operações

Painel principal



<p>01 Indicador do frigorífico</p>	<ul style="list-style-type: none"> • Apresenta a temperatura atual ou pretendida do frigorífico. • indica se a função Refrigeração rápida está ativada. • O ícone aparece se ativar o AI Energy Mode na aplicação SmartThings. (apenas nos modelos aplicáveis)
<p>02 Indicador do congelador</p>	<ul style="list-style-type: none"> • Apresenta a temperatura atual ou pretendida do congelador. • indica se a função Congelação rápida está ativada.
<p>03 Indicador de porta aberta</p>	<p>Este indicador pisca com um alarme, se a porta permanecer aberta durante mais de 2 minutos.</p>
<p>04 Botões</p>	<ul style="list-style-type: none"> • Quando o visor estiver desligado, toque em qualquer botão para ativar o visor. • Utilize para selecionar o frigorífico ou o congelador e ou para selecionar a temperatura ou função pretendida para o compartimento selecionado.



05 Indicador do Pico da procura *	<ul style="list-style-type: none"> • Apresenta o estado da função Pico da procura. • Para mais informações sobre a função Pico da procura, consulte o manual do utilizador para saber como visitar o site da Samsung.
06 Indicador de ligação à rede	<ul style="list-style-type: none"> • Este ícone indica que o frigorífico está ligado a uma rede. Se o ícone do Wi-Fi piscar, recomendamos a ligação do frigorífico à aplicação SmartThings. Pode controlar e monitorizar o frigorífico na aplicação SmartThings. Para obter mais informações, consulte a secção SmartThings.

NOTA

Se a porta se mantiver aberta durante 5 minutos, a luz interior pisca durante 5 minutos e apaga-se. Esta função serve para alertar as pessoas com deficiência auditiva de que uma porta está aberta. Tenha em conta que esta função é normal.

SmartThings

Instalação

Visite a Google Play Store, a Galaxy Apps ou a Apple App Store e pesquise por “SmartThings”. Transfira e instale a aplicação SmartThings fornecida pela Samsung Electronics no seu dispositivo inteligente.

NOTA

- A versão de software de suporte da aplicação SmartThings está sujeita a alterações de acordo com a política de suporte de SO que o fabricante fornece. Além disso, relativamente à aplicação SmartThings ou às funções que a aplicação suporta, a nova política de atualização de aplicações sobre a versão de SO existente pode ser suspensa por motivos de usabilidade ou de segurança.
- A aplicação SmartThings está sujeita a alterações sem aviso prévio para melhorar a usabilidade ou o desempenho. Uma vez que a versão de SO do telemóvel é atualizada todos os anos, a aplicação SmartThings também é continuamente atualizada de acordo com o SO mais recente. Se tiver questões sobre os itens acima mencionados, entre em contacto connosco através do endereço st.service@samsung.com
- Os sistemas de encriptação recomendados incluem WPA/TKIP e WPA2/AES. Não são suportados protocolos de autenticação de Wi-Fi mais recentes ou não padronizados.
- As redes sem fios podem ser afetadas pelo ambiente de comunicação sem fios circundante.
- Se o seu fornecedor de serviço de Internet registou o endereço MAC do seu PC ou modem para efeitos de identificação, poderá não conseguir ligar o seu frigorífico Samsung Smart à Internet. Se isso acontecer, contacte o seu fornecedor de serviço de Internet para obter assistência técnica.
- As definições do firewall do seu sistema de rede podem estar a impedir o acesso do frigorífico Samsung Smart à Internet. Contacte o seu fornecedor de serviço de Internet para obter assistência técnica. Se este sintoma continuar, contacte um centro de assistência ou revendedor Samsung local.
- Para configurar as definições do ponto de acesso (AP) sem fios, consulte o manual do utilizador do AP (router).
- Os frigoríficos Samsung Smart suportam os protocolos Wi-Fi 2,4 GHz com IEEE 802.11 b/g/n e Soft-AP. (É recomendado IEEE 802.11 n.)
- Os routers sem fios Wi-Fi não autorizados poderão não ligar aos frigoríficos Samsung Smart aplicáveis.



Conta Samsung

Tem de registar a sua conta Samsung para poder utilizar a aplicação. Se não tem uma conta Samsung, siga as instruções no ecrã da aplicação para criar uma conta Samsung gratuita.

Introdução

Ligue o dispositivo que pretende ligar, abra a aplicação SmartThings no telefone e siga as instruções abaixo.

Se for apresentada uma mensagem pop-up a informar que foi encontrado um novo dispositivo, toque em **ADD NOW (ADICIONAR AGORA)**.

Se não for apresentada uma mensagem pop-up, toque no botão **+** e, em seguida, selecione o dispositivo que pretende ligar a partir da lista de dispositivos disponíveis.

Se o seu dispositivo não estiver na lista de dispositivos disponíveis, toque em **Supported Devices (Dispositivos suportados)**, selecione o tipo de dispositivo (frigorífico) e, em seguida, selecione o modelo de dispositivo específico.

Siga as instruções na aplicação para configurar o dispositivo. Depois de concluída a configuração, o frigorífico irá aparecer como um "cartão" no ecrã **Devices (Dispositivos)**.

Aplicação do frigorífico

Controlo integrado

Pode monitorizar e controlar o seu frigorífico em casa e remotamente, onde quer que esteja.

- Toque no ícone do frigorífico no painel da aplicação SmartThings ou toque no ícone de dispositivos na parte inferior do painel e, em seguida, toque no "cartão" do frigorífico para abrir a página Frigorífico.
- Verifique o estado de funcionamento ou as notificações relacionadas com o frigorífico e altere opções ou definições, se necessário.

NOTA

Algumas opções ou definições do frigorífico podem não estar disponíveis para controlo remoto.



Manutenção

Limpeza

Interior e exterior

**AVISO**

- Não utilize benzeno, diluente, detergente doméstico/ para automóveis nem Clorox™ para limpar o frigorífico. Podem danificar a superfície do frigorífico e provocar um incêndio.
- Não pulverize água sobre o frigorífico. Pode provocar choques elétricos.

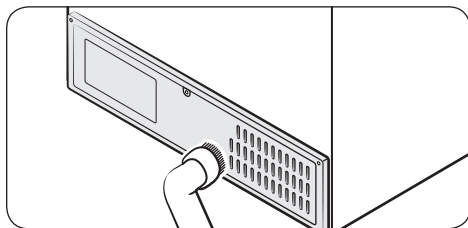
Utilize regularmente um pano seco para remover todas as substâncias estranhas, como pó ou água, dos pontos de contacto e dos terminais da ficha de alimentação.

1. Retire o cabo de alimentação da tomada.
2. Utilize um pano macio sem fibras ou um toalhete de papel humedecido para limpar o interior e o exterior do frigorífico.
3. Quando terminar, utilize um pano ou toalhete de papel seco para secar bem.
4. Introduza o cabo de alimentação na tomada.

Vedações de borracha

Se as vedações de borracha de uma porta ficarem sujas, a porta pode não fechar corretamente e reduzir o desempenho e a eficiência do frigorífico. Utilize um detergente suave e um pano húmido para limpar as vedações de borracha. Em seguida, limpe bem com um pano.

Painel posterior



Para manter os cabos e as partes expostas do painel posterior livres de sujidade, aspire o painel uma ou duas vezes por ano.

**ATENÇÃO**

Não retire a tampa do painel posterior. Pode ocorrer um choque elétrico.

Lâmpadas LED

Para substituir as lâmpadas do frigorífico, contacte um centro de assistência local da Samsung.

**AVISO**

As lâmpadas não podem ser substituídas pelo utilizador. Não tente substituí-las sozinho. Pode causar choques elétricos.

Lâmpada (fonte de luz)

Este produto contém uma fonte de luz com classe de eficiência energética <G>.

As lâmpadas e/ou os dispositivos de controlo não podem ser substituídos(as) pelo utilizador. Para a substituição de lâmpadas e/ou dispositivos de controlo do produto, contacte um centro de assistência local da Samsung.

Para obter instruções detalhadas sobre a substituição de lâmpadas ou dispositivos de controlo do produto, visite o site da Samsung (<http://www.samsung.com>), vá para Support > Support home (Suporte > Página inicial de suporte) e introduza o nome do modelo.

Para obter instruções detalhadas sobre a remoção de lâmpadas e/ou dispositivos de controlo, basta seguir as instruções de substituição conforme descrito acima.

Anúncio de código aberto

O software incluído neste produto contém software de código aberto. Pode obter o código aberto correspondente completo durante um período de três anos depois do último envio deste produto, contactando a nossa equipa de suporte através do endereço <http://opensource.samsung.com> (use o menu "Inquiry").

É igualmente possível obter o código aberto correspondente completo em suporte físico como, por exemplo, um CD-ROM; será cobrado um preço mínimo. O URL http://opensource.samsung.com/opensource/Common_TZ6_0/seq/0 conduz à informação da licença do código aberto, conforme relacionado com este produto. Esta oferta é válida para qualquer pessoa que receba esta informação.



Apêndice

Instrução de segurança

- Para uma utilização mais eficiente da energia, mantenha todos os acessórios internos, tais como cestos, gavetas, prateleiras e cusetes, na posição definida pelo fabricante.
- Este aparelho de refrigeração não se destina a ser utilizado como aparelho encastrado.

Instrução de instalação

Para aparelhos de refrigeração com classe climática

Dependendo da classe climática, este aparelho de refrigeração destina-se a ser utilizado no intervalo de temperaturas ambiente, como especificado na seguinte tabela.

A classe climática pode ser encontrada na placa sinalética. O produto poderá não funcionar corretamente a temperaturas fora do intervalo específico.

Pode encontrar a classe climática na etiqueta no interior do frigorífico

Intervalo de temperaturas efetivo

O frigorífico foi concebido para funcionar normalmente no intervalo de temperaturas especificado na respetiva placa de características.

Classe	Símbolo	Intervalo de temperaturas ambiente (°C)	
		IEC 62552 (ISO 15502)	ISO 8561
Temperada alargada	SN	+10 a +32	+10 a +32
Temperada	N	+16 a +32	+16 a +32
Subtropical	ST	+16 a +38	+18 a +38
Tropical	T	+16 a +43	+18 a +43

NOTA

O desempenho de refrigeração e o consumo de energia do frigorífico podem ser afetados pela temperatura ambiente, pela frequência de abertura da porta e pela localização do frigorífico. Recomendamos o ajuste das definições de temperatura conforme adequado.

Instrução de temperatura

Temperatura recomendada

Definição de temperatura ótima para armazenamento de alimentos:

- Frigorífico: 3 °C
- Congelador: -19 °C

NOTA

A definição de temperatura ideal para cada compartimento depende da temperatura ambiente. Esta temperatura ideal baseia-se numa temperatura ambiente de 25 °C.

Refrigeração rápida

O botão Refrigeração rápida permite acelerar o processo de refrigeração com a ventoinha na velocidade máxima. O frigorífico funciona à velocidade máxima durante duas horas e meia e depois regressa à temperatura anterior.

Congelação rápida

O botão Congelação rápida permite acelerar o processo de congelação com a ventoinha na velocidade máxima. O congelador funciona na velocidade máxima durante 50 horas e depois regressa à temperatura anterior. Para congelar uma grande quantidade de alimentos, ative a funcionalidade Congelação rápida durante, pelo menos, 20 horas antes de colocar os alimentos no congelador.

NOTA

Se utilizar esta função, o consumo de energia do frigorífico aumentará. Depois de utilizar esta função, certifique-se de que desliga o modo e repõe a definição de temperatura original do congelador.

Como guardar para melhor conservação (apenas nos modelos aplicáveis)

Tape os alimentos para reter a humidade e impedir que adquiram odores de outros alimentos. O conteúdo de uma panela grande de alimentos, tais como sopa ou guisado, deve ser dividido em pequenas porções e colocado em recipientes rasos antes de ser refrigerado. Uma peça grande de carne ou uma ave inteira deve ser dividida em pequenas porções ou colocada em recipientes rasos antes de ser refrigerada.

Colocação de alimentos

Prateleiras	As prateleiras devem ser ajustáveis para guardar uma grande variedade de embalagens.
Compartimento especializado (apenas nos modelos aplicáveis)	As gavetas dos vegetais herméticas proporcionam um ambiente de armazenamento otimizado para frutas e vegetais. Os vegetais requerem mais humidade, enquanto as frutas requerem menos humidade. Os compartimentos dos vegetais estão equipados com dispositivos para controlar o nível de humidade. (*Dependendo do modelo e das opções) Uma gaveta de carne com temperatura ajustável maximiza o tempo de armazenamento de carnes e queijos.
Armazenamento na porta	Não guarde os alimentos perecíveis na porta. Os ovos devem ser guardados na embalagem numa prateleira. A temperatura dos compartimentos de armazenamento na porta varia mais do que a temperatura no armário. Mantenha a porta fechada o máximo possível.
Compartimento do congelador	Pode guardar alimentos congelados, fazer cubos de gelo e congelar alimentos frescos no compartimento do congelador.

NOTA

Congele apenas alimentos frescos e em bom estado. Separe os alimentos a congelar dos alimentos que já estão congelados. Para evitar que os alimentos percam o seu sabor ou sequem, coloque-os em recipientes hermeticamente fechados.

Tabela de armazenamento do frigorífico e do congelador

A longevidade da frescura depende da temperatura e exposição à humidade. Uma vez que as datas dos produtos não são guias de utilização segura dos produtos, consulte esta tabela e siga estas sugestões.

Produto		Frigorífico	Congelador
Laticínios	Leite	1 semana	1 mês
	Manteiga	2 semanas	12 meses
	Queijo para barrar	2 semanas	Não recomendado
Carne	Carne para assar, bifés e costeletas frescos	3-4 dias	2-3 meses
	Salsichas, carne crua de porco, vaca, peru	1-2 dias	1-2 meses
Aves/ovos	Aves frescas	2 dias	6-8 meses
	Ovos frescos, com casca	2-4 semanas	Não recomendado
Peixe/marisco	Peixe fresco	1-2 dias	3-6 meses
	Peixe seco ou marinado	3-4 semanas	-
Frutas	Maçãs	1 mês	-
	Outra fruta fresca	3-5 dias	9-12 meses
Vegetais	Espargos	2-3 dias	-
	Brócolos, couves de Bruxelas, ervilhas, cogumelos	3-5 dias	-
	Couve, couve-flor, aipo, pepinos, alface	1 semana	-
	Cenouras, beterrabas, rabanetes	2 semanas	-

Informações sobre o modelo e a encomenda de peças de substituição

Informações sobre o modelo

Para aceder a informações de etiquetagem energética sobre este produto no EPREL (European Product Registry for Energy Labelling, Registo Europeu de Produtos para a Etiquetagem Energética), leia o código QR na etiqueta energética. O código QR está na etiqueta energética afixada na caixa do produto.

Informações sobre as peças

- O período mínimo durante o qual as peças de substituição, necessárias para a reparação do aparelho, estão disponíveis
 - 7 anos: termóstatos, sensores de temperatura, placas de circuitos impressos e fontes de luz, pegas das portas, dobradiças das portas, tabuleiros, cestos (caixas ou gavetas)
 - 10 anos: vedantes das portas
- A duração mínima da garantia do aparelho de refrigeração oferecida pelo fabricante é de 24 meses.
- Informações relevantes para a encomenda de peças de substituição, diretamente ou através de outros canais fornecidos pelo fabricante, importador ou representante autorizado
- Pode encontrar informações sobre reparação profissional em <http://samsung.com/support>. Pode encontrar o manual de serviço do utilizador em <http://samsung.com/support>.

NOTA

A Samsung declara, desta forma, que este equipamento de rádio está em conformidade com a Diretiva 2014/53/UE e com os requisitos estatutários relevantes no Reino Unido.

O texto integral da declaração de conformidade da UE e da declaração de conformidade do Reino Unido está disponível no seguinte endereço de Internet: A declaração de conformidade oficial encontra-se disponível em <http://www.samsung.com>. Acesse a Suporte > Procurar suporte do produto e introduza o nome do modelo.

	Intervalo de frequência	Potência do transmissor (máx.)
Wi-Fi	2412 – 2472 MHz	20 dBm
Bluetooth	2402 – 2480 MHz	20 dBm

Contacte a SAMSUNG WORLD WIDE

Se tiver dúvidas ou comentários relacionados com produtos Samsung, contacte o centro de assistência ao cliente da SAMSUNG.

País	Centro de assistência	Website
FRANCE	01 48 63 00 00	www.samsung.com/fr/support
GERMANY	06196 77 555 77	www.samsung.com/de/support
LUXEMBURG	261 03 710	www.samsung.com/be_fr/support
NETHERLANDS	088 90 90 100	www.samsung.com/nl/support
BELGIUM	02-201-24-18	www.samsung.com/be/support (Dutch) www.samsung.com/be_fr/support (French)
NORWAY	21629099	www.samsung.com/no/support
DENMARK	707 019 70	www.samsung.com/dk/support
FINLAND	030-6227 515	www.samsung.com/fi/support
SWEDEN	0771-400 300	www.samsung.com/se/support
CYPRUS	8009 4000 only from landline, toll free	www.samsung.com/gr/support
GREECE	80111-SAMSUNG (80111 726 7864) only from land line (+30) 210 6897691 from mobile and land line	
ITALIA	800-SAMSUNG (800.7267864)	www.samsung.com/it/support
PORTUGAL	210 608 098 Chamada para a rede fixa nacional Dias úteis das 9h às 20h	www.samsung.com/pt/support
SPAIN	91175 0015	www.samsung.com/es/support



DA68-04780Q-00

Ψυγείο

Απλό εγχειρίδιο χρήσης

Αυτόνομη συσκευή

- Προκειμένου να εξοικονομήσουμε πολύτιμους πόρους, περιορίζουμε τα έντυπα εγχειρίδια και παρέχουμε ηλεκτρονικά εγχειρίδια χρήσης, τα οποία μπορείτε να ελέγξετε στο smartphone σας ή σε μια διαδικτυακή τοποθεσία.
- Για οδηγίες σχετικά με τον τρόπο χρήσης του προϊόντος, ανατρέξτε στα εγχειρίδια χρήσης που παρέχονται μέσω κωδικού QR ή στη διαδικτυακή τοποθεσία της Samsung Electronics (<http://www.samsung.com/sec/>).
- Για περισσότερες πληροφορίες σχετικά με τα παρακάτω, επισκεφτείτε τη διαδικτυακή τοποθεσία της Samsung (<http://www.samsung.com>), μεταβείτε στην ενότητα Υποστήριξη και, στη συνέχεια, αναζητήστε το όνομα του μοντέλου σας.
 - Πώς να ελαχιστοποιήσετε την κατανάλωση ενέργειας, πρόσθετες συμβουλές για σωστή χρήση, λειτουργίες, συντήρηση, τύπος ψυγείου, προδιαγραφές (διαστάσεις).

Προβολή των εγχειριδίων χρήσης

1. Εκκινήστε με εφαρμογή ανάγνωσης κωδικού QR και, στη συνέχεια, σαρώστε την εικόνα QR που είναι επικολλημένη στο προϊόν.
2. Επιλέξτε ένα μενού από τα Καταχώριση προϊόντος, Προβολή των εγχειριδίων ή Σύνδεση σε υπηρεσία. Αν επιλέξετε ένα εγχειρίδιο, μπορείτε να προβάλετε το εγχειρίδιο του προϊόντος που αγοράσατε.

SAMSUNG



Περιεχόμενα

Πληροφορίες για την ασφάλεια	3	Συντήρηση	16
Σημαντικές προφυλάξεις για την ασφάλεια	4	Καθαρισμός	16
Οδηγίες σχετικά με την ένδειξη WEEE	8		
Οδηγός ασφάλειας	8	Παράρτημα	17
Εγκατάσταση	10	Οδηγίες για την ασφάλεια	17
Επισκόπηση του ψυγείου	10	Οδηγίες εγκατάστασης	17
Διάκενο	11	Οδηγίες για τη θερμοκρασία	17
Εγκατάσταση βήμα προς βήμα	12	Πληροφορίες για το μοντέλο και την παραγγελία ανταλλακτικών	19
Λειτουργίες	13		
Κύριος πίνακας	13		
SmartThings	14		



Πληροφορίες για την ασφάλεια

- Ως ψυκτικό μέσο χρησιμοποιείται το R-600a ή το R-134a. Ελέγξτε την ετικέτα του συμπιεστή στο πίσω μέρος της συσκευής ή την ετικέτα τεχνικών στοιχείων στο εσωτερικό του ψυγείου για να δείτε ποιο ψυκτικό μέσο χρησιμοποιείται για τη δική σας συσκευή. Σε περίπτωση που αυτό το προϊόν περιέχει εύφλεκτο αέριο (ψυκτικό μέσο R-600a), επικοινωνήστε με την αρμόδια τοπική αρχή για να ενημερωθείτε σχετικά με τον ασφαλή τρόπο απόρριψης αυτού του προϊόντος.
- Προκειμένου να αποτραπεί η δημιουργία ενός εύφλεκτου μείγματος αερίου-αέρα αν προκύψει διαρροή στο κύκλωμα ψύξης, το μέγεθος του χώρου στον οποίο μπορεί να τοποθετηθεί η συσκευή εξαρτάται από τη χρησιμοποιούμενη ποσότητα ψυκτικού μέσου.
- Μη θέτετε ποτέ σε λειτουργία μια συσκευή που παρουσιάζει οποιαδήποτε ένδειξη ζημιάς. Αν έχετε αμφιβολίες, συμβουλευτείτε τον τοπικό αντιπρόσωπο. Ο χώρος πρέπει να έχει μέγεθος 1 m³ για κάθε 8 g ψυκτικού μέσου R-600a που υπάρχουν στο εσωτερικό της συσκευής.
- Για την αποτροπή της μόλυνσης των τροφίμων, να εφαρμόζετε τις παρακάτω οδηγίες:
 - Το άνοιγμα της πόρτας για μεγάλα χρονικά διαστήματα μπορεί να προκαλέσει σημαντική αύξηση της θερμοκρασίας στους θαλάμους της συσκευής.
 - Καθαρίζετε τακτικά τις επιφάνειες που μπορούν να έρθουν σε επαφή με τρόφιμα, καθώς και τα προσβάσιμα συστήματα αποστράγγισης.
 - Καθαρίζετε τα δοχεία νερού, αν δεν έχουν χρησιμοποιηθεί επί 48 ώρες. Αν δεν έχει γίνει άντληση νερού επί 5 ημέρες, εκπλύνετε το σύστημα νερού συνδεδεμένο με μια παροχή νερού.
 - Φυλάσσετε το ωμό κρέας και ψάρι σε κατάλληλα δοχεία στο ψυγείο, έτσι ώστε να μην έρχονται σε επαφή και να μη στάζουν επάνω σε άλλα τρόφιμα.

- Οι θάλαμοι κατεψυγμένων τροφίμων δύο αστέρων είναι κατάλληλοι για τη φύλαξη προκατεψυγμένων τροφίμων, για τη φύλαξη ή την παρασκευή παγωτού, καθώς και για την παρασκευή παγακιών.
- Οι θάλαμοι ενός, δύο και τριών αστέρων δεν είναι κατάλληλοι για την κατάψυξη φρέσκων τροφίμων.
- Αν η συσκευή ψυγείου θα παραμείνει άδεια για μεγάλο χρονικό διάστημα, απενεργοποιήστε την, κάντε απόψυξη, καθαρίστε την, στεγνώστε την και αφήστε την πόρτα ανοιχτή, έτσι ώστε να αποτραπεί η δημιουργία μούχλας μέσα στη συσκευή.
- Μην τοποθετείτε πολλαπλά φορητά πολύπριζα ή τροφοδοτικά στο πίσω μέρος της συσκευής.
- Γεμίζετε μόνο με πόσιμο νερό.
- Συνδέετε μόνο με παροχή πόσιμου νερού.
- Διατηρείτε τα ανοίγματα εξαερισμού που βρίσκονται στο περίβλημα της συσκευής ή στην ενσωματωμένη βάση της ελεύθερα από εμπόδια.
- Μη χρησιμοποιείτε μηχανικές συσκευές ή οποιοδήποτε άλλο μέσο, εκτός από εκείνα που συνιστά ο κατασκευαστής, για να επιταχύνετε τη διαδικασία απόψυξης.
- Μην προκαλείτε ζημιές στο κύκλωμα του ψυκτικού μέσου.
- Μη χρησιμοποιείτε ηλεκτρικές συσκευές μέσα στους θαλάμους φύλαξης τροφίμων της συσκευής, εκτός αν πρόκειται για τύπος συσκευής που συνιστάται από τον κατασκευαστή.

Σημαντικές προφυλάξεις για την ασφάλεια



Προειδοποίηση:
Κίνδυνος πυρκαγιάς /
εύφλεκτα υλικά

ΠΡΟΕΙΔΟΠΟΙΗΣΗ

- Όταν τοποθετείτε τη συσκευή, βεβαιωθείτε ότι το καλώδιο ρεύματος δεν έχει παγιδευτεί και δεν έχει υποστεί ζημιά.

- Αυτή η συσκευή δεν προορίζεται για χρήση από άτομα (συμπεριλαμβανομένων των παιδιών) με περιορισμένες σωματικές, αισθητηριακές ή νοητικές ικανότητες ή από άτομα με έλλειψη εμπειρίας και γνώσεων, εκτός αν βρίσκονται υπό την επίβλεψη ή ακολουθούν τις οδηγίες σχετικά με τη χρήση της συσκευής που δίνονται από ένα άτομο που είναι υπεύθυνο για την ασφάλειά τους.
- Αυτή η συσκευή μπορεί να χρησιμοποιηθεί από παιδιά ηλικίας 8 ετών και άνω και από άτομα με περιορισμένες σωματικές, αισθητηριακές ή νοητικές ικανότητες ή με έλλειψη εμπειρίας και γνώσεων, εφόσον βρίσκονται υπό επίβλεψη ή ακολουθούν οδηγίες σχετικά με τη χρήση της συσκευής με ασφαλή τρόπο και κατανοούν τους κινδύνους που ενέχονται. Τα παιδιά απαγορεύεται να παίζουν με τη συσκευή. Ο καθαρισμός και η συντήρηση από τον χρήστη δεν πρέπει να πραγματοποιούνται από παιδιά χωρίς επίβλεψη. Στα παιδιά ηλικίας από 3 έως 8 ετών επιτρέπεται η τοποθέτηση και η αφαίρεση τροφίμων από τις συσκευές ψυγείου.
- Αν το καλώδιο ρεύματος υποστεί ζημιά, πρέπει να αντικατασταθεί από τον κατασκευαστή, τον αντιπρόσωπο σέρβις του ή έναν εξειδικευμένο τεχνικό, προκειμένου να αποφευχθεί τυχόν κίνδυνος.
- Η πρίζα πρέπει να είναι εύκολα προσβάσιμη, έτσι ώστε η συσκευή να μπορεί να αποσυνδεθεί γρήγορα από την παροχή ρεύματος σε περίπτωση έκτακτης ανάγκης.
 - Πρέπει να βρίσκεται εκτός της περιοχής του πίσω μέρους της συσκευής.
- Μην αποθηκεύετε εκρηκτικά υλικά, όπως δοχεία αεροζόλ με εύφλεκτες προωθητικές ουσίες, σε αυτή τη συσκευή.
- Αν το προϊόν διαθέτει λυχνίες LED, μην αποσυναρμολογείτε μόνοι σας τα καλύμματα λυχνιών και τις λυχνίες LED.
 - Επικοινωνήστε με ένα επισκευαστικό κέντρο της Samsung.
 - Χρησιμοποιείτε μόνο τις λυχνίες LED που παρέχονται από τον κατασκευαστή ή το τμήμα επισκευών της αντιπροσωπείας του.

- Χρησιμοποιήστε τα νέα σετ εύκαμπτων σωλήνων που παρέχονται με τη συσκευή και μην επαναχρησιμοποιήσετε τα παλιά σετ εύκαμπτων σωλήνων.
- Φροντίστε ώστε η παροχή νερού του ψυγείου να συνδεθεί αποκλειστικά σε πηγή πόσιμου νερού. Για να λειτουργεί σωστά ο παρασκευαστής πάγου, η απαιτούμενη πίεση νερού είναι 206-861 kPa (30-125 psi).
- Για πιο αποδοτική χρήση ενέργειας, να αφήνετε όλα τα εσωτερικά εξαρτήματα όπως καλάθια, συρτάρια και ράφια στη θέση που προβλέπεται από τον κατασκευαστή.
- Για τη βέλτιστη ενεργειακή απόδοση αυτού του προϊόντος, αφήνετε όλα τα ράφια, τα συρτάρια και τα καλάθια στην αρχική τους θέση.


Αυτή η συσκευή προορίζεται για οικιακή χρήση και για άλλες παρόμοιες χρήσεις όπως:

- χρήση σε χώρους κουζίνας προσωπικού καταστημάτων, γραφείων και σε άλλα εργασιακά περιβάλλοντα,
- χρήση σε αγροικίες και από πελάτες σε ξενοδοχεία, μοτέλ και σε άλλα οικιστικά περιβάλλοντα,
- χρήση σε περιβάλλοντα τύπου πανσιόν,

- χρήση για επισιτισμό και άλλες παρόμοιες χρήσεις που δεν σχετίζονται με τη λιανική πώληση.

ΠΡΟΕΙΔΟΠΟΙΗΣΗ

- Αυτή η συσκευή περιέχει ως ψυκτικό μέσο μια μικρή ποσότητα ισοβουτανίου (R-600a). Πρόκειται για ένα φυσικό αέριο με υψηλή περιβαλλοντική συμβατότητα, το οποίο ωστόσο είναι εύφλεκτο. Κατά τη μεταφορά και την εγκατάσταση της συσκευής, θα πρέπει να είστε προσεκτικοί προκειμένου να μην υποστεί ζημιά κανένα μέρος του κυκλώματος ψύξης.
- Μη διατηρείτε πτητικά ή εύφλεκτα αντικείμενα ή ουσίες (βενζόλιο, διαλυτικά, αέριο προπάνιο, οινόπνευμα, αιθέρα, υγραέριο και άλλα παρόμοια προϊόντα) μέσα στο ψυγείο.
 - Αυτό το ψυγείο προορίζεται αποκλειστικά για τη φύλαξη τροφίμων.
 - Ενδέχεται να προκληθεί πυρκαγιά ή έκρηξη.

- Γεμίζετε το δοχείο νερού, τον δίσκο πάγου και τις παγοθήκες μόνο με πόσιμο νερό (μεταλλικό ή απιονισμένο νερό).
 - Μη γεμίζετε το δοχείο με τσάι, χυμό ή ενεργειακό ποτό, καθώς ενδέχεται να προκληθεί ζημιά στο ψυγείο.
- Ως ψυκτικό μέσο χρησιμοποιείται το R-600a ή το R-134a. Ελέγξτε την ετικέτα του συμπιεστή στο πίσω μέρος της συσκευής ή την ετικέτα τεχνικών στοιχείων στο εσωτερικό του ψυγείου για να δείτε ποιο ψυκτικό μέσο χρησιμοποιείται για το δικό σας ψυγείο. Σε περίπτωση που αυτό το ψυγείο περιέχει εύφλεκτο αέριο (ψυκτικό μέσο R-600a), επικοινωνήστε με την αρμόδια τοπική αρχή για να ενημερωθείτε σχετικά με τον ασφαλή τρόπο απόρριψης αυτού του προϊόντος.
- Κατά την απόρριψη αυτού του ψυγείου, αφαιρέστε την πόρτα/στεγανοποιητικά πόρτας και το σύστημα μανδάλωσης της πόρτας, έτσι ώστε να μην μπορεί να παγιδευτεί κάποιο μικρό παιδί ή ζώο στο εσωτερικό του. Τα παιδιά θα πρέπει να επιβλέπονται, ώστε να διασφαλίζεται ότι δεν παίζουν με τη συσκευή. Αν παγιδευτεί μέσα κάποιο παιδί, ενδέχεται να τραυματιστεί και να πεθάνει από ασφυξία.
 - Αν παγιδευτεί μέσα κάποιο παιδί, ενδέχεται να τραυματιστεί και να πεθάνει από ασφυξία.
- Στη μόνωση χρησιμοποιείται κυκλοπεντάνιο. Για τα αέρια που περιέχονται στο μονωτικό υλικό απαιτείται ειδική διαδικασία απόρριψης. Επικοινωνήστε με τις αρμόδιες τοπικές αρχές για να ενημερωθείτε σχετικά με τον περιβαλλοντικά ασφαλή τρόπο απόρριψης αυτού του προϊόντος.
- Η θερμοκρασία στους χώρους με τα δύο αστέρια ή στους θαλάμους με το σύμβολο των δύο αστεριών () είναι ελαφρώς υψηλότερη από εκείνη στους άλλους θαλάμους του καταψύκτη. Η θέση των χώρων ή των θαλάμων με τα δύο αστέρια βασίζεται στις οδηγίες ή/και στην κατάσταση κατά την παράδοση.

Οδηγίες σχετικά με την ένδειξη WEEE



Σωστή Απόρριψη αυτού του Προϊόντος
(Απόβλητα Ηλεκτρικού & Ηλεκτρονικού
Εξοπλισμού)

(Ισχύει σε χώρες με ξεχωριστά συστήματα
συλλογής)

Αυτό το σήμα που εμφανίζεται επάνω στο προϊόν, στα εξαρτήματά του ή στα εγχειρίδια που το συνοδεύουν, υποδεικνύει ότι το προϊόν και τα ηλεκτρονικά του εξαρτήματα (π.χ. φορτιστής, ακουστικά, καλώδιο USB) δεν θα πρέπει να ρίπτονται μαζί με τα υπόλοιπα οικιακά απορρίμματα μετά το τέλος του κύκλου ζωής τους. Προκειμένου να αποφευχθούν ενδεχόμενες βλαβερές συνέπειες στο περιβάλλον ή την υγεία εξαιτίας της ανεξέλεγκτης διάθεσης απορριμμάτων, σας παρακαλούμε να διαχωρίσετε αυτά τα προϊόντα από άλλους τύπους απορριμμάτων και να τα ανακυκλώσετε, ώστε να βοηθήσετε στην βιώσιμη επαναχρησιμοποίηση των υλικών πόρων.

Οι οικιακοί χρήστες θα πρέπει να έλθουν σε επικοινωνία είτε με το κατάστημα απ' όπου αγόρασαν αυτό το προϊόν, είτε με τις κατά τόπους υπηρεσίες, προκειμένου να πληροφορηθούν τις λεπτομέρειες σχετικά με τον τόπο και τον τρόπο με τον οποίο μπορούν να δώσουν αυτά τα προϊόντα για ασφαλή προς το περιβάλλον ανακύκλωση.

Οι επιχειρήσεις-χρήστες θα πρέπει να έλθουν σε επαφή με τον προμηθευτή τους και να ελέγξουν τους όρους και τις προϋποθέσεις του συμβολαίου αγοράς. Αυτό το προϊόν και τα ηλεκτρονικά του εξαρτήματα δεν θα πρέπει να αναμειγνύονται με άλλα συνηθισμένα απορρίμματα προς διάθεση.

Για πληροφορίες σχετικά με τις δεσμεύσεις της Samsung αναφορικά με την προστασία του περιβάλλοντος και τις κανονιστικές υποχρεώσεις για τα προϊόντα, π.χ. τις οδηγίες REACH, WEEE και τις οδηγίες σχετικά με τις μπαταρίες, επισκεφτείτε τη σελίδα μας σχετικά με την αειφορία στη διαδικτυακή τοποθεσία www.samsung.com

(Μόνο για προϊόντα που πωλούνται σε ευρωπαϊκές χώρες και στο Ηνωμένο Βασίλειο)

Οδηγός ασφάλειας

ΔΙΑΒΑΣΤΕ ΟΛΕΣ ΤΙΣ ΟΔΗΓΙΕΣ ΠΡΙΝ ΑΠΟ ΤΗ ΧΡΗΣΗ

Οι παρακάτω οδηγίες ασφάλειας προορίζονται για την αποτροπή απρόβλεπτων κινδύνων ή ζημιών από μη ασφαλή ή εσφαλμένη λειτουργία της συσκευής.

Οι οδηγίες χωρίζονται στις κατηγορίες «ΠΡΟΕΙΔΟΠΟΙΗΣΗ» και «ΠΡΟΣΟΧΗ», όπως περιγράφεται παρακάτω.

Μηνύματα ασφάλειας

Αυτό το σύμβολο εμφανίζεται για να υποδείξει καταστάσεις και λειτουργίες που μπορούν να προκαλέσουν κινδύνους. Διαβάστε προσεκτικά την ενότητα με αυτό το σύμβολο και ακολουθήστε τις οδηγίες, προκειμένου να αποφύγετε τους κινδύνους.

⚠ ΠΡΟΕΙΔΟΠΟΙΗΣΗ

Αυτό υποδεικνύει ότι, αν δεν ακολουθήσετε τις οδηγίες, μπορεί να προκληθεί σοβαρός τραυματισμός ή θάνατος.

⚠ ΠΡΟΣΟΧΗ

Αυτό υποδεικνύει ότι, αν δεν ακολουθήσετε τις οδηγίες, μπορεί να προκληθεί ελαφρύς τραυματισμός ή ζημιά στο προϊόν.

⚠ ΠΡΟΕΙΔΟΠΟΙΗΣΗ

Για να μειώσετε τον κίνδυνο έκρηξης, πυρκαγιάς, θανάτου, ηλεκτροπληξίας, τραυματισμού ή εγκαυμάτων κατά τη χρήση αυτού του προϊόντος, τηρήστε βασικές προφυλάξεις, συμπεριλαμβανομένων των εξής:

Εγκατάσταση

- Αυτή η συσκευή θα πρέπει να μεταφέρεται μόνο από δύο ή περισσότερα άτομα που την κρατούν σταθερά.
- Εγκαταστήστε τη συσκευή σε γερό και επίπεδο δάπεδο.
- Μην εγκαθιστάτε τη συσκευή σε χώρο με υγρασία και σκόνη. Μην εγκαθιστάτε και μη φυλάσσετε τη συσκευή σε κανέναν εξωτερικό χώρο ή σε οποιοδήποτε χώρο που επηρεάζεται από τις καιρικές συνθήκες, όπως άμεσο ηλιακό φως, άνεμος, βροχή ή θερμοκρασίες κάτω από το μηδέν.
- Μην τοποθετείτε τη συσκευή κάπου όπου εκτίθεται σε άμεσο ηλιακό φως ή στη θερμότητα από συσκευές θέρμανσης, όπως σόμπες ή καλοριφέρ.
- Προσέχετε να μην προκαλέσετε ζημιά στο πίσω μέρος της συσκευής κατά την εγκατάσταση.
- Εγκαταστήστε τη συσκευή σε ένα σημείο όπου είναι εύκολη η αποσύνδεση του φινιρίσματος της συσκευής.
- Προσέχετε να μη σας πέσει η πόρτα της συσκευής κατά τη συναρμολόγηση ή την αποσυναρμολόγηση.

- Προσέχετε να μη μαγκώσετε, να μη συνθλίψετε και να μην προκαλέσετε ζημιά στο καλώδιο ρεύματος κατά τη συναρμολόγηση ή την αποσυναρμολόγηση της πόρτας του ψυγείου.
- Προσέχετε να μη στρέψετε το φινιρίσμα προς τα πάνω και μην αφήσετε τη συσκευή να ακουμπήσει επάνω στο φινιρίσμα.
- Μην συνδέετε προσαρμογέα πρίζας ή άλλα εξαρτήματα στο φινιρίσμα.
- Μην τροποποιείτε και μην επεκτείνετε το καλώδιο ρεύματος.
- Βεβαιωθείτε ότι η πρίζα είναι γειωμένη σωστά, καθώς και ότι η ακίδα γείωσης του καλωδίου ρεύματος δεν έχει υποστεί ζημιά και δεν έχει αφαιρεθεί από το φινιρίσμα. Για περισσότερες λεπτομέρειες σχετικά με τη γείωση, επικοινωνήστε με το επισκευαστικό κέντρο της Samsung Electronics.
- Αυτή η συσκευή διαθέτει ένα καλώδιο ρεύματος με αγωγό γείωσης εξοπλισμού και γειωμένο φινιρίσμα. Το φινιρίσμα πρέπει να συνδέεται σε μια κατάλληλη πρίζα που είναι εγκατεστημένη και γειωμένη σύμφωνα με όλους τους τοπικούς κώδικες και τα διατάγματα.
- Μην θέτετε ποτέ σε λειτουργία μια συσκευή που παρουσιάζει οποιαδήποτε ένδειξη ζημιάς. Αν έχετε αμφιβολίες, συμβουλευτείτε τον τοπικό αντιπρόσωπο.
- Μην συνδέετε ποτέ τη συσκευή σε ένα πολύπριζο που δεν διαθέτει καλώδιο ρεύματος (επιτοίχιο).
- Η συσκευή θα πρέπει να συνδέεται σε μια αποκλειστική γραμμή τροφοδοσίας με ξεχωριστή ασφάλεια.
- Μην χρησιμοποιείτε ένα (φορητό) πολύπριζο που δεν έχει κατάλληλη γείωση. Σε περίπτωση που χρησιμοποιήσετε ένα (φορητό) πολύπριζο με κατάλληλη γείωση, χρησιμοποιήστε κάποιο πολύπριζο που έχει δυναμικότητα μεταφοράς ρεύματος μεγαλύτερη ή ίση με την ονομαστική τιμή του καλωδίου ρεύματος και χρησιμοποιήστε το πολύπριζο μόνο για τη συσκευή.
- Απορρίψτε όλα τα υλικά συσκευασίας (όπως πλαστικές σακούλες και αφρώδες πολυστυρένιο) μακριά από παιδιά. Τα υλικά συσκευασίας μπορούν να προκαλέσουν ασφυξία.

Λειτουργία

- Προσέχετε αν υπάρχουν παιδιά κοντά σας όταν ανοίγετε ή κλείνετε την πόρτα της συσκευής. Η πόρτα μπορεί να χτυπήσει το παιδί και να προκαλέσει τραυματισμό.
- Να είστε προσεκτικοί, γιατί υπάρχει κίνδυνος να παγιδευτούν παιδιά στο εσωτερικό της συσκευής. Αν ένα παιδί παγιδευτεί στο εσωτερικό της συσκευής, μπορεί να πάθει ασφυξία.

ΠΡΟΣΟΧΗ

Για να μειώσετε τον κίνδυνο ελαφρού τραυματισμού, δυσλειτουργίας, ζημιάς στο προϊόν ή υλικών ζημιών κατά τη χρήση αυτού του προϊόντος, τηρήστε βασικές προφυλάξεις, συμπεριλαμβανομένων των εξής:

Λειτουργία

- Μην αγγίζετε παγωμένα τρόφιμα ή τα μεταλλικά μέρη στον θάλαμο καταψύκτη με βρεγμένα ή υγρά χέρια. Ενδέχεται να προκληθεί κρουπάνημα.
- Μην τοποθετείτε γυάλινα δοχεία, μπουκάλια ή κουτάκια αναψυκτικών (ειδικά αυτά που περιέχουν ανθρακούχα ποτά) στον θάλαμο καταψύκτη, στα ράφια του καταψύκτη ή στο δοχείο πάγου, καθώς θα εκτεθούν σε θερμοκρασίες κάτω από το μηδέν.
- Το γυαλί ασφαλείας στην μπροστινή πλευρά της πόρτας του ψυγείου ή στα ράφια μπορεί να υποστεί ζημιά από κρούση. Αν σπάσει, μην το αγγίζετε με τα χέρια σας.
- Μην κρέμεστε από τις πόρτες, τον χώρο αποθήκευσης ή τα ράφια της συσκευής και μη σκαρφαλώνετε πάνω της.
- Μην φυλάσσετε υπερβολικό αριθμό μπουκαλιών νερού ή δοχείων για ορεκτικά στα καλάρια της πόρτας.
- Μην ανοίγετε και μην κλείνετε την πόρτα της συσκευής με υπερβολική δύναμη.
- Αν ο μεντεσές στην πόρτα της συσκευής έχει υποστεί ζημιά ή δεν λειτουργεί σωστά, σταματήστε να χρησιμοποιείτε τη συσκευή και επικοινωνήστε με ένα εξουσιοδοτημένο επισκευαστικό κέντρο.
- Μην αφήνετε ζώα να δαγκώνουν το καλώδιο ρεύματος ή τον εύκαμπο σωλήνα νερού.
- Ποτέ μην τρώτε κατεψυγμένα τρόφιμα αμέσως μόλις τα αφαιρέσετε από τον θάλαμο καταψύκτη.
- Φροντίστε να μην πιαστεί το χέρι ή το πόδι σας όταν ανοίγετε ή κλείνετε την πόρτα ή το συρτάρι της συσκευής.

Συντήρηση

- Μην καθαρίζετε τα γυάλινα ράφια ή τα καλύμματα με ζεστό νερό όταν είναι κρύα. Ενδέχεται να σπάσουν αν εκτεθούν σε απότομες αλλαγές θερμοκρασίας.
- Μην τοποθετείτε τα ράφια ανάποδα. Τα ράφια ενδέχεται να πέσουν.
- Για να απομακρύνετε πάγο από τη συσκευή, επικοινωνήστε με το επισκευαστικό κέντρο της Samsung Electronics.
- Απορρίψτε τον πάγο που υπάρχει μέσα στον κάδο πάγου του θαλάμου καταψύκτη σε περίπτωση παρατεταμένης διακοπής ρεύματος.

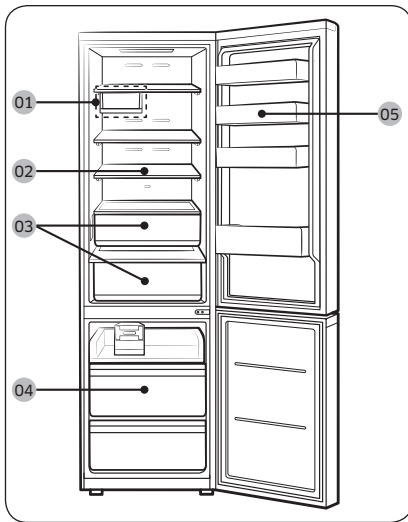


Εγκατάσταση

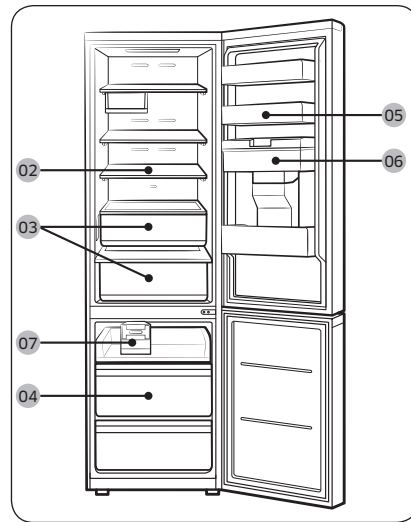
Επισκόπηση του ψυγείου

Η πραγματική εμφάνιση και τα παρεχόμενα εξαρτήματα του ψυγείου ενδέχεται να διαφέρουν από τις εικόνες σε αυτό το εγχειρίδιο, ανάλογα με το μοντέλο και τη χώρα.

Κανονικός τύπος



Τύπος διανεμητή



01 Πολυδίσκος *

02 Ράφι ψυγείου / Αναδιπλούμενο ράφι *

03 Συρτάρι λαχανικών *

04 Συρτάρι καταψύκτη

05 Ράφι πόρτας ψυγείου

06 Δοχείο νερού **

07 Περιστρεφόμενος
παρασκευαστής πάγου *

* μόνο για τα κατάλληλα μοντέλα

** μόνο για τα μοντέλα τύπου διανεμητή

ΣΗΜΕΙΩΣΗ

- Για την υψηλότερη δυνατή ενεργειακή απόδοση, βεβαιωθείτε ότι όλα τα ράφια, τα συρτάρια και τα καλάθια βρίσκονται στην αρχική τους θέση.
- Για να έχετε περισσότερο χώρο, μπορείτε να αφαιρέσετε όλα τα συρτάρια και να τοποθετήσετε το ράφι καταψύκτη (μόνο για τα κατάλληλα μοντέλα) επάνω στο κάτω συρτάρι του καταψύκτη, καθώς δεν επηρεάζει τα θερμικά και τα μηχανικά του χαρακτηριστικά. Ο αναφερόμενος όγκος φύλαξης στον θάλαμο κατεψυγμένων τροφίμων έχει υπολογιστεί μετά την αφαίρεση αυτών των συρταριών.



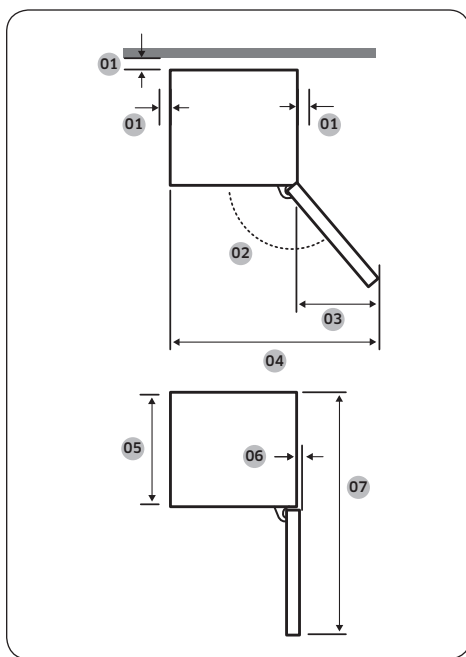
Διάκενο

Για τις απαιτήσεις χώρου εγκατάστασης, ανατρέξτε στις εικόνες και τους πίνακες παρακάτω.



Μοντέλο	RB45**	RB50**	RB53**
Βάθος «Α»	711		
Πλάτος «Β»	759		
Συνολικό ύψος «C»	1780	1920	2030

(μονάδες: mm)



01	συνιστάται πάνω από 50 mm
02	Ψυγείο: 115°, καταψύκτης: 120°
03	551
04	1151
05	626
06	32
07	1406

(μονάδες: mm)

ΣΗΜΕΙΩΣΗ

Οι μετρήσεις στον παραπάνω πίνακα ενδέχεται να διαφέρουν ελαφρώς από τις πραγματικές μετρήσεις, ανάλογα με τη μέθοδο μέτρησης και στρογγυλοποίησης.

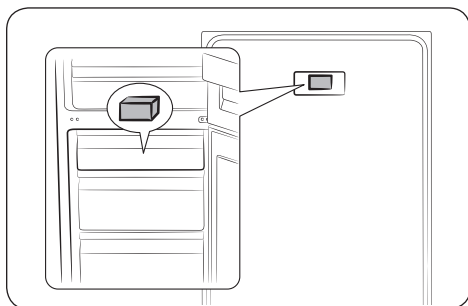


Εγκατάσταση βήμα προς βήμα

ΒΗΜΑ 1 Αποστατικά (μόνο για τα κατάλληλα μοντέλα)

ΣΗΜΕΙΩΣΗ

Ο αριθμός των αποστατικών που παρέχονται διαφέρει, ανάλογα με το μοντέλο. Προσαρτήστε όλα τα αποστατικά που παρέχονται.



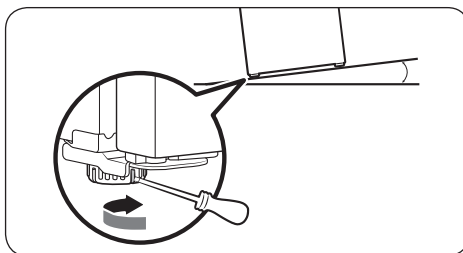
1. Ανοίξτε την πόρτα και εντοπίστε το παρεχόμενο αποστατικό (γκρι μπλοκ).
2. Αποσυσκευάστε το αποστατικό και προσαρτήστε το στο πίσω μέρος του ψυγείου, όπως φαίνεται στην εικόνα. Βοηθούν στον εξαερισμό του πίσω μέρους και μειώνουν την κατανάλωση ενέργειας.

ΒΗΜΑ 2 Προσαρμογή των ποδιών οριζοντίωσης

ΠΡΟΣΟΧΗ

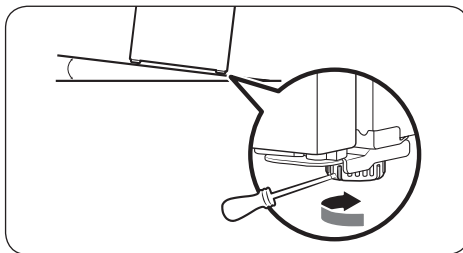
- Το ψυγείο πρέπει να είναι οριζοντιωμένο, σε ένα επίπεδο και γερό δάπεδο. Διαφορετικά, μπορεί να προκληθεί ζημιά στο ψυγείο ή τραυματισμός.
- Η οριζοντίωση πρέπει να γίνεται με το ψυγείο άδειο. Βεβαιωθείτε ότι δεν υπάρχουν τρόφιμα μέσα στο ψυγείο.
- Για λόγους ασφαλείας, προσαρμόστε το μπροστινό μέρος λίγο πιο ψηλά από το πίσω μέρος.

Το ψυγείο μπορεί να οριζοντιωθεί χρησιμοποιώντας τα εμπρός πόδια, τα οποία διαθέτουν ειδική βίδα (εξάρτημα οριζοντίωσης) για αυτόν τον σκοπό. Χρησιμοποιήστε ένα κατσαβίδι με επίπεδη κεφαλή για την οριζοντίωση.



Για να προσαρμόσετε το ύψος της αριστερής πλευράς:

Τοποθετήστε ένα κατσαβίδι με επίπεδη κεφαλή μέσα στο εξάρτημα οριζοντίωσης του εμπρός αριστερού ποδιού. Περιστρέψτε το εξάρτημα οριζοντίωσης δεξιόστροφα για να το ανυψώσετε ή αριστερόστροφα για να το χαμηλώσετε.



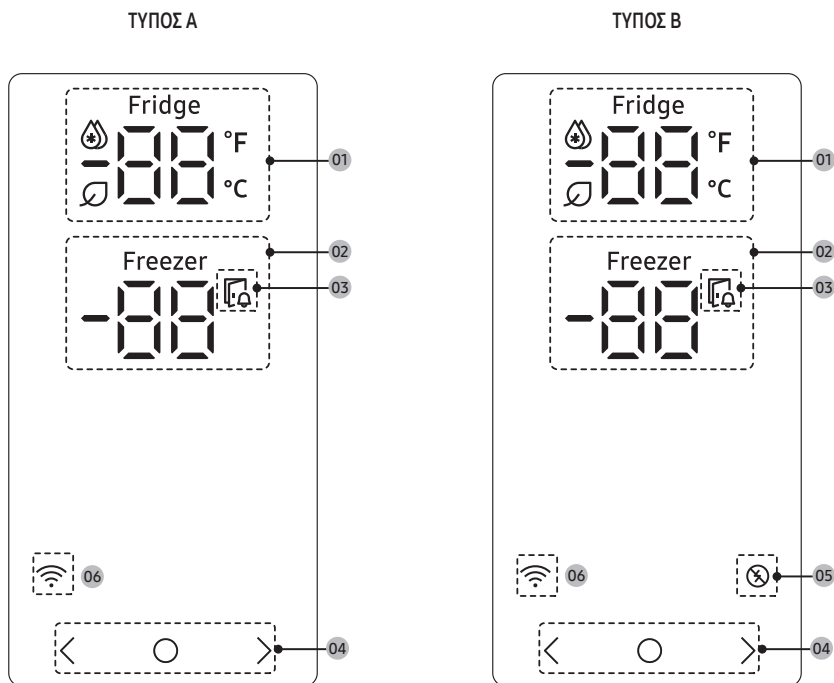
Για να προσαρμόσετε το ύψος της δεξιάς πλευράς:

Τοποθετήστε ένα κατσαβίδι με επίπεδη κεφαλή μέσα στο εξάρτημα οριζοντίωσης του εμπρός δεξιού ποδιού. Περιστρέψτε το εξάρτημα οριζοντίωσης δεξιόστροφα για να το ανυψώσετε ή αριστερόστροφα για να το χαμηλώσετε.



Λειτουργίες

Κύριος πίνακας



<p>01 Ένδειξη ψυγείου</p>	<ul style="list-style-type: none"> • Εμφανίζει την τρέχουσα ή επιθυμητή θερμοκρασία του ψυγείου. • Το εικονίδιο υποδεικνύει ότι είναι ενεργοποιημένη η λειτουργία Γρήγορη ψύξη. • Το εικονίδιο εμφανίζεται αν ενεργοποιήσετε τη δυνατότητα AI Energy Mode στην εφαρμογή SmartThings. (μόνο για τα κατάλληλα μοντέλα)
<p>02 Ένδειξη καταψύκτη</p>	<ul style="list-style-type: none"> • Εμφανίζει την τρέχουσα ή επιθυμητή θερμοκρασία του καταψύκτη. • Το εικονίδιο υποδεικνύει ότι είναι ενεργοποιημένη η λειτουργία Γρήγορη κατάψυξη.
<p>03 Ένδειξη ανοιχτής πόρτας</p>	<p>Αυτή η ένδειξη αναβοσβήνει και ακούγεται ένας ήχος ειδοποίησης, αν η πόρτα παραμείνει ανοιχτή για περισσότερο από 2 λεπτά.</p>
<p>04 Κουμπιά</p>	<ul style="list-style-type: none"> • Όταν η οθόνη είναι απενεργοποιημένη, πατήστε οποιοδήποτε κουμπί για να επανεργοποιήσετε την οθόνη. • Χρησιμοποιήστε το κουμπί για να επιλέξετε το ψυγείο ή τον καταψύκτη και το κουμπί ή για να επιλέξετε την επιθυμητή θερμοκρασία ή λειτουργία για τον επιλεγμένο θάλαμο.



05 Ένδειξη ζήτησης αιχμής *	<ul style="list-style-type: none"> • Εμφανίζει την κατάσταση της λειτουργίας ζήτησης αιχμής. • Για περισσότερες πληροφορίες σχετικά με τη λειτουργία ζήτησης αιχμής, ανατρέξτε στο εγχειρίδιο χρήσης ή επισκεφτείτε τη διαδικτυακή τοποθεσία της Samsung.
06 Ένδειξη σύνδεσης δικτύου	<ul style="list-style-type: none"> • Αυτό το εικονίδιο υποδεικνύει ότι το ψυγείο είναι συνδεδεμένο σε ένα δίκτυο. Αν το εικονίδιο Wi-Fi αναβοσβήνει, συνιστούμε να συνδέσετε το ψυγείο σας με την εφαρμογή SmartThings. Μπορείτε να ελέγχετε και να παρακολουθείτε το ψυγείο σας από την εφαρμογή SmartThings. Για περισσότερες πληροφορίες, ανατρέξτε στην ενότητα SmartThings.

ΣΗΜΕΙΩΣΗ

Αν η πόρτα παραμένει ανοιχτή για 5 λεπτά, το εσωτερικό φως αναβοσβήνει για 5 λεπτά και κατόπιν σβήνει. Αυτό συμβαίνει για να ειδοποιούνται οι χρήστες με προβλήματα ακοής ότι η πόρτα είναι ανοιχτή. Έχετε υπόψη ότι αυτή η λειτουργία είναι φυσιολογική.

SmartThings

Εγκατάσταση

Επισκεφτείτε το Google Play Store, το Galaxy Apps ή το Apple App Store και αναζητήστε την εφαρμογή «SmartThings». Λάβετε και εγκαταστήστε την εφαρμογή SmartThings που παρέχεται από τη Samsung Electronics στην έξυπνη συσκευή σας.

ΣΗΜΕΙΩΣΗ

- Η υποστηριζόμενη έκδοση λογισμικού της εφαρμογής SmartThings υπόκειται σε αλλαγές, σύμφωνα με την πολιτική υποστήριξης λειτουργικού συστήματος που παρέχει ο κατασκευαστής. Επιπλέον, όσον αφορά την εφαρμογή SmartThings ή τις λειτουργίες που υποστηρίζει η εφαρμογή, η πολιτική νέων ενημερώσεων εφαρμογής στην υπάρχουσα έκδοση λειτουργικού συστήματος μπορεί να ανασταλεί για λόγους χρηστικότητας ή ασφαλείας.
- Η εφαρμογή SmartThings υπόκειται σε αλλαγές χωρίς προειδοποίηση για τη βελτίωση της χρηστικότητας ή της απόδοσης. Καθώς η έκδοση λειτουργικού συστήματος του κινητού τηλεφώνου ενημερώνεται κάθε έτος, η εφαρμογή SmartThings ενημερώνεται επίσης συνεχώς σύμφωνα με το τελευταίο λειτουργικό σύστημα. Αν έχετε ερωτήσεις σχετικά με τα προαναφερθέντα, επικοινωνήστε μαζί μας στο st.service@samsung.com
- Τα συνιστώμενα συστήματα κρυπτογράφησης περιλαμβάνουν τα WPA/TKIP και WPA2/AES. Δεν υποστηρίζονται τυχόν νεότερα ή μη τυπικά πρωτόκολλα ελέγχου ταυτότητας Wi-Fi.
- Τα ασύρματα δίκτυα ενδέχεται να επηρεαστούν από το περιβάλλον ασύρματης επικοινωνίας.
- Αν ο πάροχος υπηρεσιών Διαδικτύου έχει καταχωρίσει τη διεύθυνση MAC του υπολογιστή ή του μόντεμ σας ώστε να το αναγνωρίζει, το έξυπνο ψυγείο Samsung ενδέχεται να μη συνδέεται στο Διαδίκτυο. Αν συμβεί αυτό, επικοινωνήστε με τον πάροχο υπηρεσιών Διαδικτύου για τεχνική υποστήριξη.
- Οι ρυθμίσεις τείχους προστασίας του συστήματος δικτύου σας ενδέχεται να αποτρέπουν την πρόσβαση του έξυπνου ψυγείου Samsung στο Διαδίκτυο. Επικοινωνήστε με τον πάροχο υπηρεσιών Διαδικτύου για τεχνική υποστήριξη. Αν αυτό το σύμπτωμα συνεχίζει να παρουσιάζεται, επικοινωνήστε με το τοπικό επισκευαστικό κέντρο ή τον έμπορο λιανικής της Samsung.
- Για να διαμορφώσετε τις ρυθμίσεις του ασύρματου σημείου πρόσβασης (AP), ανατρέξτε στο εγχειρίδιο χρήσης του σημείου πρόσβασης (δρομολογητή).
- Τα έξυπνα ψυγεία Samsung υποστηρίζουν τα πρωτόκολλα Wi-Fi 2,4 GHz με IEEE 802.11 b/g/n και Soft-AP (συνιστάται IEEE 802.11 n).
- Οι μη εγκεκριμένοι δρομολογητές ασύρματου δικτύου Wi-Fi ενδέχεται να μη συνδέονται με τα κατάλληλα έξυπνα ψυγεία Samsung.



Λογαριασμός Samsung

Για να χρησιμοποιήσετε την εφαρμογή, απαιτείται να καταχωρίσετε τον δικό σας λογαριασμό Samsung. Αν δεν διαθέτετε λογαριασμό Samsung, ακολουθήστε τις οδηγίες της εφαρμογής στην οθόνη για να δημιουργήσετε δωρεάν έναν λογαριασμό Samsung.

Έναρξη χρήσης

Ενεργοποιήστε τη συσκευή που θέλετε να συνδέσετε, ανοίξτε την εφαρμογή SmartThings στο κινητό σας και, στη συνέχεια, ακολουθήστε τις παρακάτω οδηγίες.

Αν εμφανιστεί ένα αναδυόμενο μήνυμα που δηλώνει ότι βρέθηκε μια νέα συσκευή, πατήστε **ADD NOW (ΠΡΟΣΘΗΚΗ ΤΩΡΑ)**. Αν δεν εμφανιστεί κανένα αναδυόμενο μήνυμα, πατήστε το κουμπί **+** και, στη συνέχεια, επιλέξτε τη συσκευή που θέλετε να συνδέσετε από τη λίστα των διαθέσιμων συσκευών.

Αν η συσκευή σας δεν βρίσκεται στη λίστα των διαθέσιμων συσκευών, πατήστε **Supported Devices (Υποστηριζόμενες συσκευές)**, επιλέξτε τον τύπο της συσκευής (Ψυγείο) και, στη συνέχεια, επιλέξτε το μοντέλο της συγκεκριμένης συσκευής.

Ακολουθήστε τις οδηγίες στην εφαρμογή για να ρυθμίσετε τη συσκευή σας. Αφού ολοκληρωθεί η ρύθμιση, το ψυγείο σας θα εμφανίζεται ως «κάρτα» στην οθόνη **Devices (Συσκευές)**.

Εφαρμογή ψυγείου

Ολοκληρωμένος έλεγχος

Μπορείτε να παρακολουθείτε και να ελέγχετε το ψυγείο σας στο σπίτι και εν κινήσει.

- Πατήστε το εικονίδιο ψυγείου στον πίνακα εργαλείων SmartThings ή πατήστε το εικονίδιο συσκευών στο κάτω μέρος του πίνακα εργαλείων και, στη συνέχεια, πατήστε στην «κάρτα» ψυγείου για να ανοίξετε τη σελίδα του ψυγείου.
- Ελέγξτε την κατάσταση λειτουργίας ή τις ειδοποιήσεις που σχετίζονται με το ψυγείο σας και κατόπιν αλλάξτε τις επιλογές ή τις ρυθμίσεις, αν είναι απαραίτητο.

ΣΗΜΕΙΩΣΗ

Ορισμένες επιλογές ή ρυθμίσεις του ψυγείου ενδέχεται να μην είναι διαθέσιμες για απομακρυσμένο έλεγχο.



Συντήρηση

Καθαρισμός

Εσωτερικό και εξωτερικό μέρος

ΠΡΟΕΙΔΟΠΟΙΗΣΗ

- Μη χρησιμοποιείτε βενζόλιο, διαλυτικό, οικιακό απορρυπαντικό/απορρυπαντικό αυτοκινήτου ή Clogox™ για τον καθαρισμό του ψυγείου. Ενδέχεται να προκαλέσουν ζημιά στην επιφάνεια του ψυγείου, καθώς και πυρκαγιά.
- Μην ψεκάζετε νερό επάνω στο ψυγείο. Ενδέχεται να προκληθεί ηλεκτροπληξία.

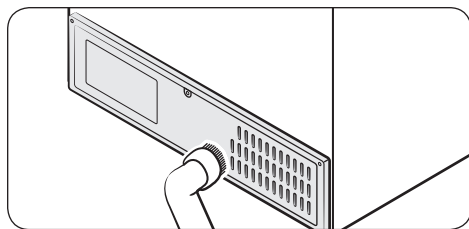
Χρησιμοποιείτε τακτικά ένα στεγνό πανί για να απομακρύνετε όλα τα ξένα σώματα, όπως σκόνη ή νερό, από τους ακροδέκτες και τα σημεία επαφής του φινιρ τροφοδοσίας.

1. Αποσυνδέστε το καλώδιο ρεύματος.
2. Χρησιμοποιήστε ένα βρεγμένο μαλακό πανί που δεν αφήνει χνούδι ή μια χαρτοπετσέτα για να καθαρίσετε το εσωτερικό και το εξωτερικό μέρος του ψυγείου.
3. Όταν τελειώσετε, χρησιμοποιήστε ένα στεγνό πανί ή μια χαρτοπετσέτα για να το στεγνώσετε καλά.
4. Συνδέστε το καλώδιο ρεύματος.

Ελαστικά στεγανοποιητικά

Αν τα ελαστικά στεγανοποιητικά της πόρτας είναι βρόμικα, η πόρτα ενδέχεται να μην κλείνει σωστά με αποτέλεσμα να περιοριστούν οι επιδόσεις και η απόδοση του ψυγείου. Χρησιμοποιήστε ήπιο απορρυπαντικό και ένα υγρό πανί για να καθαρίσετε τα ελαστικά στεγανοποιητικά. Στη συνέχεια, στεγνώστε τα καλά με ένα πανί.

Πίσω πίνακας



Για να διατηρήσετε τα καλώδια και τα εκτεθειμένα μέρη του πίσω πίνακα ελεύθερα από βρομιά, να καθαρίζετε τον πίνακα με ηλεκτρική σκούπα μία ή δύο φορές το χρόνο.

ΠΡΟΣΟΧΗ

Μην αφαιρείτε το κάλυμμα πίσω πίνακα. Ενδέχεται να προκληθεί ηλεκτροπληξία.

Λυχνίες LED

Για να αντικαταστήσετε τις λυχνίες του ψυγείου, επικοινωνήστε με το τοπικό επισκευαστικό κέντρο της Samsung.

ΠΡΟΕΙΔΟΠΟΙΗΣΗ

Οι λυχνίες δεν μπορούν να επισκευαστούν από τον χρήστη. Μην επιχειρήσετε να αντικαταστήσετε μόνοι σας κάποια λυχνία. Μπορεί να προκληθεί ηλεκτροπληξία.

Λυχνία (πηγή φωτός)

Αυτό το προϊόν περιέχει μια πηγή φωτός κατηγορίας ενεργειακής απόδοσης <G>.

Οι λυχνίες ή/και οι διατάξεις ελέγχου δεν μπορούν να επισκευαστούν από τον χρήστη. Για να αντικαταστήσετε τις λυχνίες ή/και τις διατάξεις ελέγχου του προϊόντος, επικοινωνήστε με το τοπικό επισκευαστικό κέντρο της Samsung.

Για λεπτομερείς οδηγίες σχετικά με την αντικατάσταση των λυχνιών ή των διατάξεων ελέγχου του προϊόντος σας, επισκεφτείτε τη διαδικτυακή τοποθεσία της Samsung (<http://www.samsung.com>), μεταβείτε στο μενού Υποστήριξη > Αρχική σελίδα υποστήριξης και εισαγάγετε το όνομα του μοντέλου.

Για λεπτομερείς οδηγίες σχετικά με την αποσυναρμολόγηση των λυχνιών ή/και των διατάξεων ελέγχου, απλά ακολουθήστε τις οδηγίες αντικατάστασης που μπορείτε να βρείτε όπως περιγράφεται παραπάνω.

Ανακοίνωση για το λογισμικό ανοικτού κώδικα

Το λογισμικό που περιλαμβάνεται σε αυτό το προϊόν περιέχει λογισμικό ανοικτού κώδικα. Μπορείτε να λάβετε τον πλήρη αντίστοιχο πηγαίο κώδικα για διάστημα τριών ετών μετά την τελευταία αποστολή αυτού του προϊόντος, επικοινωνώντας με την ομάδα υποστήριξης μας μέσω του <http://opensource.samsung.com> (χρησιμοποιήστε το μενού «Inquiry»).

Μπορείτε επίσης να λάβετε τον πλήρη αντίστοιχο πηγαίο κώδικα σε φυσικό μέσο, όπως CD-ROM, με μια μικρή χρέωση.

Η ακόλουθη διεύθυνση URL, http://opensource.samsung.com/opensource/COMMON_TZ6_0/seq/0, οδηγεί στις πληροφορίες άδειας χρήσης ανοικτού κώδικα που σχετίζονται με αυτό το προϊόν. Αυτή η προσφορά ισχύει για οποιονδήποτε λαμβάνει αυτές τις πληροφορίες.



Παράρτημα

Οδηγίες για την ασφάλεια

- Για πιο αποδοτική χρήση ενέργειας, να αφήνετε όλα τα εσωτερικά εξαρτήματα όπως καλάθια, συρτάρια, ράφια και δίσκο για παγάκια στη θέση που προβλέπεται από τον κατασκευαστή.
- Αυτή η συσκευή ψυγείου δεν προορίζεται για χρήση ως εντοιχισμένη συσκευή.

Οδηγίες εγκατάστασης

Για συσκευές ψυγείου με κλιματική κλάση

Ανάλογα με την κλιματική κλάση, αυτή η συσκευή ψυγείου προορίζεται για χρήση στο εύρος θερμοκρασίας περιβάλλοντος που καθορίζεται στον παρακάτω πίνακα.

Μπορείτε να βρείτε την κλιματική κλάση στην πινακίδα τεχνικών στοιχείων. Το προϊόν ενδέχεται να μη λειτουργεί σωστά σε θερμοκρασίες εκτός του συγκεκριμένου εύρους.

Μπορείτε να βρείτε την κλιματική κλάση στην ετικέτα στο εσωτερικό του ψυγείου.

Ενεργό εύρος θερμοκρασίας

Το ψυγείο έχει σχεδιαστεί ώστε να λειτουργεί κανονικά στο εύρος θερμοκρασίας που καθορίζεται από την κατηγορία του.

Κατηγορία	Σύμβολο	Εύρος θερμοκρασίας περιβάλλοντος (°C)	
		IEC 62552 (ISO 15502)	ISO 8561
Εκτεταμένη εύκρατη	SN	+10 έως +32	+10 έως +32
Εύκρατη	N	+16 έως +32	+16 έως +32
Υποτροπική	ST	+16 έως +38	+18 έως +38
Τροπική	T	+16 έως +43	+18 έως +43

ΣΗΜΕΙΩΣΗ

Η απόδοση ψύξης και η κατανάλωση ενέργειας του ψυγείου ενδέχεται να επηρεαστούν από τη θερμοκρασία περιβάλλοντος, τη συχνότητα ανοίγματος της πόρτας και τη θέση του ψυγείου. Συνιστούμε να προσαρμόσετε τις ρυθμίσεις θερμοκρασίας όπως απαιτείται.

Οδηγίες για τη θερμοκρασία

Συνιστώμενη θερμοκρασία

Βέλτιστη ρύθμιση θερμοκρασίας για τη φύλαξη τροφίμων:

- Ψυγείο: 3 °C
- Καταψύκτης: -19 °C

ΣΗΜΕΙΩΣΗ

Η βέλτιστη ρύθμιση θερμοκρασίας για κάθε θάλαμο εξαρτάται από τη θερμοκρασία περιβάλλοντος. Η παραπάνω βέλτιστη θερμοκρασία βασίζεται σε θερμοκρασία περιβάλλοντος 25 °C.



Γρήγορη ψύξη

Η λειτουργία Γρήγορη ψύξη επιταχύνει τη διαδικασία ψύξης στη μέγιστη ταχύτητα ανεμιστήρα. Το ψυγείο λειτουργεί συνεχώς σε πλήρη ισχύ για δύομισι ώρες και, στη συνέχεια, επανέρχεται στην προηγούμενη θερμοκρασία.

Γρήγορη κατάψυξη

Η λειτουργία Γρήγορη κατάψυξη επιταχύνει τη διαδικασία κατάψυξης στη μέγιστη ταχύτητα ανεμιστήρα. Ο καταψύκτης λειτουργεί συνεχώς σε πλήρη ισχύ για 50 ώρες και, στη συνέχεια, επανέρχεται στην προηγούμενη θερμοκρασία. Για να καταψύξετε μεγάλες ποσότητες τροφίμων, ενεργοποιήστε τη λειτουργία Γρήγορη κατάψυξη επί τουλάχιστον 20 ώρες προτού τοποθετήσετε τα τρόφιμα στον καταψύκτη.

ΣΗΜΕΙΩΣΗ

Όταν χρησιμοποιείτε αυτή τη λειτουργία, η κατανάλωση ενέργειας του ψυγείου αυξάνεται. Θυμηθείτε να την απενεργοποιήσετε όταν δεν την χρειάζεστε πλέον και να επαναφέρετε τον καταψύκτη στην αρχική ρύθμιση θερμοκρασίας.

Τρόπος φύλαξης για την καλύτερη δυνατή συντήρηση (μόνο για τα κατάλληλα μοντέλα)

Σκεπάστε τα τρόφιμα για να διατηρούν την υγρασία τους και να αποτρέψετε τη μεταφορά οσμών από άλλα τρόφιμα. Μια μεγάλη κατσαρόλα με φαγητό όπως σούπα ή ραγού θα πρέπει να χωρίζεται σε μικρές μερίδες και να τοποθετείται σε ρηχά δοχεία προτού ψυχθεί. Ένα μεγάλο κομμάτι κρέατος ή ολόκληρο κοτόπουλο θα πρέπει να χωρίζεται σε μικρότερα κομμάτια ή να τοποθετείται σε ρηχά δοχεία προτού ψυχθεί.

Τοποθέτηση τροφίμων

Ράφια	Τα ράφια είναι ρυθμιζόμενα για να χωρούν διάφορες συσκευασίες.
Ειδικός θάλαμος (μόνο για τα κατάλληλα μοντέλα)	Τα στεγανοποιημένα συρτάρια φρούτων και λαχανικών παρέχουν βέλτιστο περιβάλλον φύλαξης για τα φρούτα και τα λαχανικά. Τα λαχανικά απαιτούν συνθήκες υψηλότερης υγρασίας, ενώ τα φρούτα απαιτούν συνθήκες χαμηλότερης υγρασίας. Τα συρτάρια φρούτων και λαχανικών διαθέτουν συσκευές ελέγχου, για τον έλεγχο του επιπέδου υγρασίας. (*Ανάλογα με το μοντέλο και τα προαιρετικά εξαρτήματα) Το συρτάρι κρεάτων ρυθμιζόμενης θερμοκρασίας μεγιστοποιεί τον χρόνο φύλαξης των κρεάτων και των τυριών.
Φύλαξη στην πόρτα	Μη φυλάσσετε ευπαθή τρόφιμα στην πόρτα. Τα αβγά θα πρέπει να φυλάσσονται μέσα στη θήκη τους σε ένα ράφι. Η θερμοκρασία των δοχείων φύλαξης στην πόρτα παρουσιάζει μεγαλύτερες διακυμάνσεις από τη θερμοκρασία στο εσωτερικό του θαλάμου. Διατηρείτε την πόρτα κλειστή για όσο το δυνατόν περισσότερο.
Θάλαμος καταψύκτη	Μπορείτε να φυλάξετε κατεψυγμένα τρόφιμα, να παρασκευάσετε παγάκια και να καταψύξετε φρέσκα τρόφιμα στον θάλαμο του καταψύκτη.

ΣΗΜΕΙΩΣΗ

Καταψύχετε μόνο φρέσκα τρόφιμα που δεν έχουν αλλιωθεί. Να διατηρείτε τα τρόφιμα που πρόκειται να καταψύξετε μακριά από τρόφιμα που έχουν ήδη καταψυχθεί. Για να μη χάσουν τα τρόφιμα τη γεύση τους και για να μην ξεραθούν, να τα τοποθετείτε σε αεροστεγή δοχεία.



Πίνακας χρόνου φύλαξης ψυγείου και καταψύκτη

Ο χρόνος για τον οποίο διατηρούνται φρέσκα τα τρόφιμα εξαρτάται από τη θερμοκρασία και την έκθεση σε υγρασία. Επειδή οι ημερομηνίες που αναγράφονται στα προϊόντα δεν αποτελούν οδηγό ασφαλούς χρήσης ενός προϊόντος, συμβουλευτείτε αυτόν τον πίνακα και ακολουθήστε αυτές τις συμβουλές.

Προϊόν		Ψυγείο	Καταψύκτης
Γαλακτοκομικά προϊόντα	Γάλα	1 εβδομάδα	1 μήνας
	Βούτυρο	2 εβδομάδες	12 μήνες
	Τυρί κρέμα	2 εβδομάδες	Δεν συνιστάται
Κρέας	Φρέσκο ψητό κρέας, μπριζόλες, παϊδάκια	3-4 ημέρες	2-3 μήνες
	Λουκάνικο, ωμό από χοιρινό, μοσχάρι, γαλοπούλα	1-2 ημέρες	1-2 μήνες
Πουλερικά / Αβγά	Φρέσκα πουλερικά	2 ημέρες	6-8 μήνες
	Αβγά, φρέσκα στο τσόφλι	2-4 εβδομάδες	Δεν συνιστάται
Ψάρια / Θαλασσινά	Φρέσκο ψάρι	1-2 ημέρες	3-6 μήνες
	Αποξηραμένο ή παστό ψάρι	3-4 εβδομάδες	-
Φρούτα	Μήλα	1 μήνας	-
	Άλλα φρέσκα φρούτα	3-5 ημέρες	9-12 μήνες
Λαχανικά	Σπαράγγι	2-3 ημέρες	-
	Μπρόκολο, λαχανάκια Βρυξελλών, αρακάς, μανιτάρια	3-5 ημέρες	-
	Λάχανο, κουνουπίδι, σέλινο, αγγούρι, μαρούλι	1 εβδομάδα	-
	Καρότα, παντζάρια, ραπανάκια	2 εβδομάδες	-

Πληροφορίες για το μοντέλο και την παραγγελία ανταλλακτικών

Πληροφορίες μοντέλου

Για να προσελάσετε τις πληροφορίες ενεργειακής επισήμανσης σχετικά με αυτό το προϊόν στο Ευρωπαϊκό μητρώο προϊόντων για την ενεργειακή επισήμανση (EPREL), σαρώστε τον κωδικό QR στην ετικέτα ενεργειακής απόδοσης. Μπορείτε να βρείτε τον κωδικό QR στην ετικέτα ενεργειακής απόδοσης που υπάρχει στη συσκευασία του προϊόντος σας.

Πληροφορίες ανταλλακτικών

- Ελάχιστο χρονικό διάστημα για το οποίο θα είναι διαθέσιμα τα ανταλλακτικά που είναι απαραίτητα για την επισκευή της συσκευής
 - 7 έτη για θερμοστάτες, αισθητήρες θερμοκρασίας, πλακέτες τυπωμένων κυκλωμάτων και πηγές φωτός, λαβές πόρτας, μεντεσέδες πόρτας, δίσκους, καλάθια (μεγάλα ή κανονικά συρτάρια)
 - 10 έτη για παρεμβύσματα πόρτας
- Η ελάχιστη διάρκεια της εγγύησης που προσφέρεται από τον κατασκευαστή για τη συσκευή ψυγείου είναι 24 μήνες.
- Σχετικές πληροφορίες για την παραγγελία ανταλλακτικών, απευθείας ή μέσω άλλων καναλιών, παρέχονται από τον κατασκευαστή, τον εισαγωγέα ή τον εξουσιοδοτημένο αντιπρόσωπο.
- Μπορείτε να βρείτε πληροφορίες για επαγγελματική επισκευή στη διαδικτυακή τοποθεσία <http://samsung.com/support>.
Μπορείτε να βρείτε το εγχειρίδιο σέρβις χρήστη στη διαδικτυακή τοποθεσία <http://samsung.com/support>.

ΣΗΜΕΙΩΣΗ

Δια της παρούσης, η Samsung δηλώνει ότι αυτός ο ραδιοεξοπλισμός συμμορφώνεται με την Οδηγία 2014/53/ΕΕ και με τις σχετικές νομικές απαιτήσεις στο Ηνωμένο Βασίλειο.

Το πλήρες κείμενο της δήλωσης συμμόρφωσης ΕΕ και της δήλωσης συμμόρφωσης Ηνωμένου Βασιλείου είναι διαθέσιμο στην ακόλουθη διαδικτυακή διεύθυνση: Μπορείτε να βρείτε την επίσημη Δήλωση συμμόρφωσης στη διαδικτυακή τοποθεσία <http://www.samsung.com>. Μεταβείτε στο μενού Υποστήριξη > αναζητήστε υποστήριξη για το προϊόν σας και εισαγάγετε το όνομα του μοντέλου.

	Εύρος συχνοτήτων	Ισχύς πομπού (μέγιστη)
Wi-Fi	2412 - 2472 MHz	20 dBm
Bluetooth	2402 - 2480 MHz	20 dBm

Επικοινωνία με τη SAMSUNG σε όλο τον κόσμο

Αν έχετε ερωτήσεις ή σχόλια σχετικά με τα προϊόντα της Samsung, επικοινωνήστε με το κέντρο εξυπηρέτησης πελατών της SAMSUNG.

Χώρα	Κέντρο επικοινωνίας	Διαδικτυακή τοποθεσία
FRANCE	01 48 63 00 00	www.samsung.com/fr/support
GERMANY	06196 77 555 77	www.samsung.com/de/support
LUXEMBURG	261 03 710	www.samsung.com/be_fr/support
NETHERLANDS	088 90 90 100	www.samsung.com/nl/support
BELGIUM	02-201-24-18	www.samsung.com/be/support (Dutch) www.samsung.com/be_fr/support (French)
NORWAY	21629099	www.samsung.com/no/support
DENMARK	707 019 70	www.samsung.com/dk/support
FINLAND	030-6227 515	www.samsung.com/fi/support
SWEDEN	0771-400 300	www.samsung.com/se/support
CYPRUS	8009 4000 only from landline, toll free	www.samsung.com/gr/support
GREECE	80111-SAMSUNG (80111 726 7864) only from land line (+30) 210 6897691 from mobile and land line	
ITALIA	800-SAMSUNG (800.7267864)	www.samsung.com/it/support
PORTUGAL	210 608 098 Chamada para a rede fixa nacional Dias úteis das 9h às 20h	www.samsung.com/pt/support
SPAIN	91175 0015	www.samsung.com/es/support



DA68-04780Q-00

Kühl-/Gefrierkombination

Einfaches Benutzerhandbuch

Standgerät

- Um wertvolle Ressourcen zu sparen, reduzieren wir die Anzahl der Handbücher in Papierform und stellen stattdessen elektronische Bedienungsanleitungen zur Verfügung, die Sie auf Ihrem Smartphone oder auf einer Website einsehen können.
- Anweisungen zur Verwendung des Geräts finden Sie in den mittels QR-Code bereitgestellten Benutzerhandbüchern oder auf der Website von Samsung Electronics (<http://www.samsung.com/sec/>).
- Weitere Informationen zu den folgenden Punkten finden Sie auf der Samsung Website (<http://www.samsung.com>), Rufen Sie den Abschnitt Support auf und suchen Sie dann nach Ihrer Modellbezeichnung.
 - So minimieren Sie den Energieverbrauch, zusätzliche Tipps zur richtigen Verwendung, Betrieb, Wartung, Typ der Kühl-/Gefrierkombination, Technische Daten (Abmessungen).

Anzeigen der Benutzerhandbücher

1. Starten Sie eine App zum Lesen von QR-Codes und scannen Sie den QR-Code auf dem Gerät.
2. Wählen Sie eines der Menüs „Produktregistrierung“, „Handbücher anzeigen“ oder „Verbinden mit einem Dienst“. Wenn Sie ein Handbuch auswählen, können Sie das Handbuch des erworbenen Produkts anzeigen.

SAMSUNG

Inhalt

Sicherheitsinformationen	3	Bedienung	13
Wichtige Sicherheitshinweise	4	Bedienfeld	13
Hinweise zur WEEE-Kennzeichnung	8	SmartThings	14
Sicherheitsleitfaden	8		
Installation	10	Wartung und Pflege	16
Die Kühl-/Gefrierkombination auf einen Blick	10	Reinigung	16
Abstand	11		
Installation Schritt-für-Schritt	12	Anhang	17
		Sicherheitshinweise	17
		Installationsanleitung	17
		Angaben zur Temperaturh	17
		Modellinformationen und Bestellung von Ersatzteilen	19

Sicherheitsinformationen

- Als Kältemittel werden R-600a oder R-134a verwendet. Sie können dem Kompressoraufkleber auf der Rückseite Ihres Geräts oder dem Typenschild im Innern des Kühlabteils entnehmen, welches Kältemittel für Ihr Gerät verwendet wurde. Falls dieses Gerät entzündliche Gase enthält (Kältemittel R-600a), wenden Sie sich an die örtlichen Behörden, die Ihnen Informationen zur sicheren Entsorgung zur Verfügung stellen können.
- Um die Entwicklung eines entflammaren Gas-Luftgemisches bei einem Leck des Kühlkreislaufs zu vermeiden, muss die Raumgröße entsprechend der eingesetzten Menge an Kältemitteln im Gerät gewählt werden.
- Schalten Sie das Gerät niemals ein, wenn es Anzeichen von Beschädigungen zeigt. Setzen Sie sich im Zweifelsfall mit Ihrem Händler in Verbindung. Der für die Aufstellung des Geräts vorgesehene Raum muss für je 8 g des im Gerät befindlichen Kältemittels R-600a ein Raumvolumen von 1 m³ besitzen.
- Beachten Sie bitte die folgenden Anweisungen, um eine Kontamination von Lebensmitteln zu vermeiden:
 - Längeres Öffnen der Tür kann zu einem deutlichen Temperaturanstieg in den Fächern des Gerätes führen.
 - Reinigen Sie regelmäßig die erreichbaren Entwässerungssysteme sowie die Oberflächen, die mit Lebensmitteln in Berührung kommen können.
 - Reinigen Sie die Wassertanks, wenn sie 48 Stunden lang nicht benutzt wurden und spülen Sie das an die Wasserversorgung angeschlossene Wassersystem, wenn Sie 5 Tage lang kein Wasser entnommen haben.
 - Bewahren Sie rohes Fleisch und Fisch in der Kühl-/ Gefrierkombination in geeigneten Behältern auf, damit sie nicht mit anderen Lebensmitteln in Berührung kommen und keine Flüssigkeit daraus auf andere Lebensmittel tropft.

- Zwei-Sterne-Tiefkühlfächer eignen sich für die Aufbewahrung von tiefgefrorenen Lebensmitteln, für die Aufbewahrung oder Herstellung von Eiscreme und zur Herstellung von Eiswürfeln.
 - Ein-, Zwei- und Drei-Sterne-Fächer sind zum Einfrieren frische Lebensmittel nicht geeignet.
 - Wenn das Kühlgerät über einen längeren Zeitraum leer bleibt, empfehlen wir, es auszuschalten, abzutauen, zu reinigen, zu trocknen und die Tür offen zu lassen, um Schimmelbildung im Gerät zu verhindern.
- Stellen Sie weder Steckdosenleisten noch tragbare Stromversorgungen hinter dem Gerät auf.
 - Nur mit Trinkwasser füllen.
 - Es darf ausschließlich an eine Trinkwasserversorgung angeschlossen werden.
 - Stellen Sie sicher, dass die Lüftungsöffnungen im Gerätegehäuse bzw. bei Einbau des Geräts nicht blockiert sind.
 - Verwenden Sie keine anderen als die vom Hersteller empfohlenen mechanischen Vorrichtungen oder Hilfsmittel, um den Abtauvorgang zu beschleunigen.
 - Beschädigen Sie niemals das Kältemittelsystem.
 - Verwenden Sie keine elektrischen Geräte innerhalb des Lebensmittelabteils des Gerätes, sofern sie nicht dem durch den Hersteller empfohlenen Typ entsprechen.

Wichtige Sicherheitshinweise



**Warnung: Feuergefahr
/ brennbare
Materialien**

WARNUNG

- Achten Sie beim Aufstellen des Geräts darauf, dass das Netzkabel nicht eingeklemmt oder beschädigt wird.

- Dieses Gerät ist nicht zum Gebrauch durch Personen (auch Kinder) mit verminderten körperlichen, sensorischen oder geistigen Fähigkeiten oder einem Mangel an Erfahrung und Wissen bestimmt. Von dieser Regel darf nur abgewichen werden, wenn diese Personen unter Aufsicht stehen oder durch eine für ihre Sicherheit verantwortliche Person eine Unterweisung zur Bedienung des Geräts erhalten haben.
- Dieses Gerät darf von Kindern ab 8 Jahren und Personen mit verminderten körperlichen, sensorischen oder geistigen Fähigkeiten oder einem Mangel an Erfahrung und Wissen nur bedient werden, wenn sie unter Aufsicht stehen oder eine Unterweisung zum sicheren Umgang mit dem Gerät erhalten haben und die damit verbundenen Gefahren verstehen. Kinder dürfen nicht mit dem Gerät spielen. Kinder dürfen bei Reinigung und Wartung nur dann helfen, wenn sie dabei beaufsichtigt werden. Kinder im Alter von 3 bis 8 Jahren dürfen Kühlgeräte ein- und ausräumen.
- Wenn das Netzkabel beschädigt ist, muss es durch den Hersteller, seinen Kundendienst oder ähnlich qualifizierte Personen ersetzt werden, um eine Gefährdung zu vermeiden.
- Die Steckdose muss leicht zugänglich sein, so dass das Gerät im Notfall schnell von der Stromversorgung getrennt werden kann.
 - Sie darf sich nicht hinter dem Gerät befinden.
- Sehen Sie davon ab, in diesem Gerät explosive Stoffe wie Sprühdosen mit brennbaren Treibmitteln zu lagern.
- Wenn das Gerät mit einer LED-Leuchte ausgestattet ist, entfernen Sie die Lampenabdeckung und die Lampe an sich nicht selbst.
 - Wenden Sie sich an das nächstgelegene Kundendienstcenter.
 - Verwenden Sie nur die vom Hersteller oder seinen Kundendienstvertretern empfohlenen LED-Lampen.
- Es sind die neuen mit dem Gerät gelieferten Schlauchsets zu verwenden; die alten dürfen nicht wiederverwendet werden.

- Lassen Sie die Wasserversorgung der Kühl-/Gefrierkombination nur an eine Trinkwasserversorgung anschließen. Um die Eismaschine korrekt zu betreiben, ist ein Wasserdruck von 206 bis 861 kPa (30 – 125 psi) erforderlich.
- Für eine möglichst effiziente Energienutzung wird empfohlen, alle Einsätze, wie z. B. Türfächer, Schubfächer oder Fachböden, in der vom Hersteller angegebenen Position im Gerät zu verwenden.
- Um die optimale Energieeffizienz für dieses Gerät zu gewährleisten, sollte die ursprüngliche Position der Fachböden, Schubfächer und Türfächer nicht verändert werden.

Dieses Gerät ist zur Verwendung im Haushalt und ähnlichen Umgebungen bestimmt, wie z. B.:

- in Küchen oder Kantinen in Geschäften, Büros und anderen Arbeitsumgebungen;
- durch die Gäste in Gasthäusern, Hotels, Motels und anderen Wohnumgebungen;
- in Frühstückspensionen und ähnlichen Umgebungen;
- in Gastronomiebetrieben und ähnlichen Bereichen außerhalb des Einzelhandels.

⚠️ WARNUNG

- Bei diesem Gerät wird eine geringe Menge eines Isobutan-Kältemittels (R-600a) eingesetzt. Dies ist ein natürliches Gas mit hoher Umweltverträglichkeit, das allerdings auch brennbar ist. Achten Sie darauf, dass keine Teile des Kühlkreislaufs beschädigt werden, wenn Sie das Gerät transportieren oder aufstellen.
- Bewahren Sie in der Kühl-/Gefrierkombination keine flüchtigen oder entflammenden Substanzen oder Stoffe (z. B. Reinigungsbenzin, Verdüner, Propangas, Alkohol, Äther, Erdgas oder ähnliche Produkte) auf.
 - Diese Kühl-/Gefrierkombination ist ausschließlich zur Aufbewahrung von Lebensmitteln bestimmt.
 - Andernfalls besteht Brand- oder Explosionsgefahr.

- Füllen Sie den Wassertank, das Eiswürfelfach und die Eiswürfelform nur mit Trinkwasser (Mineralwasser oder gereinigtes Wasser).
 - Füllen Sie den Wassertank nicht mit Tee, Säften oder Sportgetränken. Dies kann zu Schäden am Gerät führen.
- Als Kältemittel werden R-600a oder R-134a verwendet. Sie können dem Kompressoraukleber auf der Rückseite des Geräts oder dem Typenschild im Innern des Kühlabteils entnehmen, welches Kältemittel für Ihre Kühl-/Gefrierkombination verwendet wurde. Wenn dieser von der Kühl-/Gefrierkombination entzündliche Gase enthält (Kältemittel R-600a), wenden Sie sich an die örtlichen Behörden, die Ihnen Informationen über die sichere Entsorgung zur Verfügung stellen können.
- Entfernen Sie vor dem Entsorgen der Kühl-/Gefrierkombination die Tür und die Türdichtungen sowie die Verriegelung, damit nicht versehentlich Kinder oder Tiere in der Kühl-/Gefrierkombination eingeschlossen werden können. Kinder müssen beaufsichtigt werden, um zu verhindern, dass sie mit dem Gerät spielen. Wenn ein Kind eingeschlossen ist, kann es sich verletzen und ersticken.
 - Wenn ein Kind im Gerät eingeschlossen ist, besteht Verletzungs- und Erstickungsgefahr.
- In der Isolierung wird Cyclopentan verwendet. Die im Isoliermaterial gebundenen Gase erfordern eine spezielle Entsorgung. Informationen zur umweltfreundlichen Entsorgung dieses Geräts erhalten Sie bei den örtlichen Behörden.
- Die Temperatur in mit zwei Sternen (**) gekennzeichneten Fächern oder Abteilen (☼☼) ist geringfügig höher als die im restlichen Gefrierabteil. Die Position der Zwei-Sterne-Fächer variiert je nach Modell. Schlagen Sie im Zweifelsfall im mitgelieferten Benutzerhandbuch nach.

Hinweise zur WEEE-Kennzeichnung



Korrekte Entsorgung von Altgeräten
(Elektroschrott)
(Gilt für Länder mit Abfalltrennsystemen)

Die Kennzeichnung auf dem Produkt, Zubehörteilen bzw. auf der dazugehörigen Dokumentation gibt an, dass das Produkt und Zubehörteile (z. B. Ladegerät, Kopfhörer, USB-Kabel) nach ihrer Lebensdauer nicht zusammen mit dem normalen Haushaltsmüll entsorgt werden dürfen. Entsorgen Sie dieses Gerät und Zubehörteile bitte getrennt von anderen Abfällen, um der Umwelt bzw. der menschlichen Gesundheit nicht durch unkontrollierte Müllbeseitigung zu schaden. Helfen Sie mit, das Altgerät und Zubehörteile fachgerecht zu entsorgen, um die nachhaltige Wiederverwertung von stofflichen Ressourcen zu fördern.

Private Nutzer wenden sich an den Händler, bei dem das Produkt gekauft wurde, oder kontaktieren die zuständigen Behörden, um in Erfahrung zu bringen, wo Sie das Altgerät bzw. Zubehörteile für eine umweltfreundliche Entsorgung abgeben können.

Gewerbliche Nutzer wenden sich an ihren Lieferanten und gehen nach den Bedingungen des Verkaufsvertrags vor. Dieses Produkt und elektronische Zubehörteile dürfen nicht zusammen mit anderem Gewerbemüll entsorgt werden.

Weitere Informationen zu den Umweltverpflichtungen von Samsung und zu produktspezifischen gesetzlichen Pflichten (z. B. REACH, WEEE und Batterien) finden Sie unter www.samsung.com auf unseren Nachhaltigkeitsseiten.

(Nur für Produkte, die in Europa und im Vereinigten Königreich verkauft werden)

Sicherheitsleitfaden

LESEN ALLER ANWEISUNGEN VOR DER VERWENDUNG

Die folgenden Sicherheitsrichtlinien sollen unvorhergesehene Risiken oder Schäden durch unsichere oder falsche Bedienung des Geräts verhindern.

Die Richtlinien sind wie unten beschrieben in „**WARNUNG**“ und „**VORSICHT**“ unterteilt.

Sicherheitsmeldungen

Dieses Symbol wird angezeigt, um auf Sachverhalte und Vorgänge hinzuweisen, die ein Risiko darstellen können. Bitte beachten Sie die Hinweise auf dem Teil mit diesem Symbol und befolgen Sie die Anweisungen, um Risiken zu vermeiden.

⚠ **WARNUNG**

Dies bedeutet, dass die Nichtbeachtung der Anweisungen zu schweren Verletzungen oder zum Tod führen kann.

⚠ **VORSICHT**

Dies bedeutet, dass die Nichtbeachtung der Anweisungen zu leichten Verletzungen oder Schäden am Gerät führen kann.

⚠ **WARNUNG**

Um das Risiko einer Explosion, eines Brandes, eines tödlichen Stromschlags, einer Verletzung oder Verbrühung von Personen bei der Verwendung dieses Geräts zu verringern, beachten Sie die folgenden grundlegenden Vorsichtsmaßnahmen:

Installation

- Dieses Gerät sollte nur von zwei oder mehr Personen transportiert werden, die das Gerät sicher halten.
- Platzieren Sie das Gerät auf einem festen und ebenen Boden.
- Platzieren Sie das Gerät nicht an einem feuchten und staubigen Ort. Platzieren oder lagern Sie das Gerät nicht im Freien oder an einem Ort, der Witterungseinflüssen wie direkter Sonneneinstrahlung, Wind, Regen oder Temperaturen unter dem Gefrierpunkt ausgesetzt ist.
- Setzen Sie das Gerät keinem direkten Sonnenlicht aus und verhindern Sie, dass es der Hitze von Heizgeräten wie Öfen oder Heizungen ausgesetzt wird.
- Achten Sie darauf, dass die Rückseite des Geräts bei der Installation nicht freiliegt.
- Stellen Sie das Gerät an einem Ort auf, an dem Sie den Netzstecker des Geräts leicht herausziehen können.

- Achten Sie darauf, dass die Gerätetür während der Montage oder Demontage nicht herunterfällt.
- Achten Sie darauf, dass Sie das Netzkabel beim Zusammenbau oder Ausbau der Gerätetür nicht einklemmen, quetschen oder beschädigen.
- Achten Sie darauf, den Netzstecker nicht nach oben zu halten oder das Gerät gegen den Netzstecker zu lehnen.
- Schließen Sie keinen Steckeradapter oder anderes Zubehör an den Netzstecker an.
- Verändern oder verlängern Sie das Netzkabel nicht.
- Vergewissern Sie sich, dass die Steckdose ordnungsgemäß geerdet ist und dass der Erdungsstift am Netzkabel nicht beschädigt oder vom Netzstecker entfernt ist. Für weitere Informationen zur Erdung wenden Sie sich bitte an das Kundendienstzentrum von Samsung Electronics.
- Dieses Gerät ist mit einem Netzkabel mit Erdungsleitung und einem geerdeten Netzstecker ausgestattet. Der Netzstecker muss in eine geeignete Steckdose eingesteckt werden, die gemäß allen örtlichen Vorschriften und Verordnungen installiert und geerdet ist.
- Schalten Sie das Gerät niemals ein, wenn es Anzeichen von Beschädigungen zeigt. Setzen Sie sich im Zweifelsfall mit Ihrem Händler in Verbindung.
- Schließen Sie das Gerät nicht an einen Mehrfachsteckdosen-Adapter an, der nicht über ein Stromkabel verfügt (montiert).
- Das Gerät sollte an eine eigene Stromleitung angeschlossen werden, die gesondert abgesichert ist.
- Verwenden Sie keine Mehrfachsteckdose, die nicht ordnungsgemäß geerdet ist (tragbar). Wenn Sie eine ordnungsgemäß geerdete Mehrfachsteckdose (tragbar) verwenden, verwenden Sie eine Mehrfachsteckdose mit der Stromstärke des Netzkabels oder höher und verwenden Sie die Mehrfachsteckdose nur für das Gerät.
- Entsorgen Sie alle Verpackungsmaterialien (wie Plastiktüten und Styropor) außerhalb der Reichweite von Kindern. Das Verpackungsmaterial kann zur Erstickung führen.

Betrieb

- Achten Sie auf Kinder in der Nähe, wenn Sie die Gerätetür öffnen oder schließen. Die Tür kann das Kind treffen und Verletzungen verursachen.
- Achten Sie darauf, dass sich keine Kinder im Gerät einschließen können. Ein Kind, das im Inneren des Geräts eingeschlossen ist, kann ersticken.

⚠ VORSICHT

Um das Risiko einer leichten Verletzung von Personen, einer Fehlfunktion oder einer Beschädigung des Geräts oder des Eigentums bei der Verwendung dieses Geräts zu verringern, befolgen Sie die folgenden grundlegenden Vorsichtsmaßnahmen, einschließlich der folgenden:

Betrieb

- Berühren Sie gefrorene Lebensmittel oder die Metallteile des Gefrierabteils nicht mit nassen oder feuchten Händen. Es kann Erfrierungen verursachen.
- Stellen Sie keine Glasbehälter, Flaschen oder Dosen (insbesondere solche mit kohlenensäurehaltigen Getränken) in das Gefrierabteil, die Ablagen oder das Aufbewahrungsfach, die Temperaturen unter dem Gefrierpunkt ausgesetzt sind,
- Das gehärtete Glas auf der Vorderseite der Gerätetür oder das Gerät selbst kann durch einen Aufprall beschädigt werden. Wenn es kaputt ist. Berühren Sie es nicht mit den Händen.
- Hängen Sie sich nicht an die Gerätetüren, den Abstellraum oder das Regal und klettern Sie nicht hinein.
- Stellen Sie nicht zu viele Wasserflaschen oder Behälter für Beilagen in die Türkörbe.
- Öffnen oder schließen Sie die Gerätetür nicht mit übermäßiger Kraft.
- Wenn das Scharnier der Gerätetür beschädigt ist oder nicht richtig funktioniert, verwenden Sie das Gerät nicht mehr und wenden Sie sich an ein autorisiertes Kundendienstzentrum.
- Verhindern Sie, dass Tiere das Stromkabel oder den Wasserschlauch anknabbern.
- Verzehren Sie niemals tiefgefrorene Lebensmittel unmittelbar nach der Entnahme aus dem Gefrierabteil.
- Achten Sie darauf, dass Sie sich beim Öffnen oder Schließen der Gerätetür oder der Tür in der Tür keine Hände oder Füße einklemmen.

Wartung und Pflege

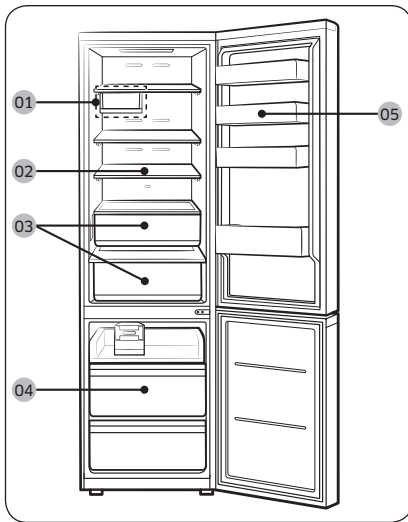
- Reinigen Sie die Glaseinlegeböden oder Abdeckungen nicht mit heißem Wasser, solange diese kalt sind. Sie können zerbrechen, wenn sie plötzlichen Temperaturschwankungen ausgesetzt werden.
- Setzen Sie die Fachböden nicht verkehrt herum ein. Die Fachböden könnten herunterfallen.
- Um das Gerät von Frost zu befreien, wenden Sie sich an das Kundendienstzentrum von Samsung Electronics.
- Entfernen Sie bei einem längeren Stromausfall das Eis im Aufbewahrungsfach im Gefrierabteil.

Installation

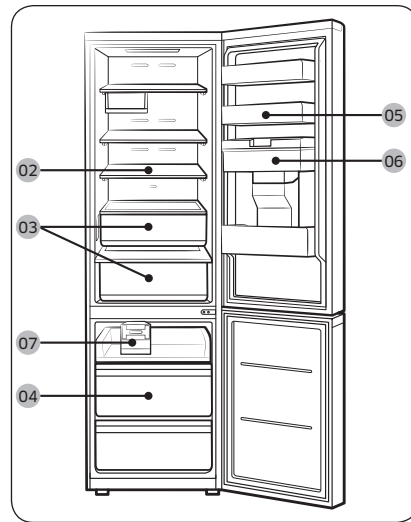
Die Kühl-/Gefrierkombination auf einen Blick

Das tatsächliche Aussehen und die mitgelieferten Zubehörteile Ihrer Kühl-/Gefrierkombination können sich je nach Modell und Land von den Abbildungen in diesem Handbuch unterscheiden.

Normale Ausführung



Ausführung mit Spender



01 Weinregal *

02 Fachboden/Klappboden *

03 Gemüsefach *

04 Schubfach im Gefrierabteil

05 Türfach im Kühlabteil

06 Wassertank **

07 Roto-Eisspender *

* Nur bestimmte Modelle

** Nur Modelle mit Spender

HINWEIS

- Für beste Energieeffizienz müssen alle Böden, Schubfächer und Körbe wieder in ihre ursprüngliche Position gebracht werden.
- Wenn Sie zusätzlichen Stauraum benötigen, können Sie alle Schubfächer herausnehmen und den Zwischenboden (nur bestimmte Modelle) über dem unteren Schubfach im Gefrierabteil einsetzen. Dies hat keine Auswirkungen auf die thermischen und mechanischen Eigenschaften. Das angegebene Volumen des Gefrierabteils wurde ohne diese Schubfächer berechnet.

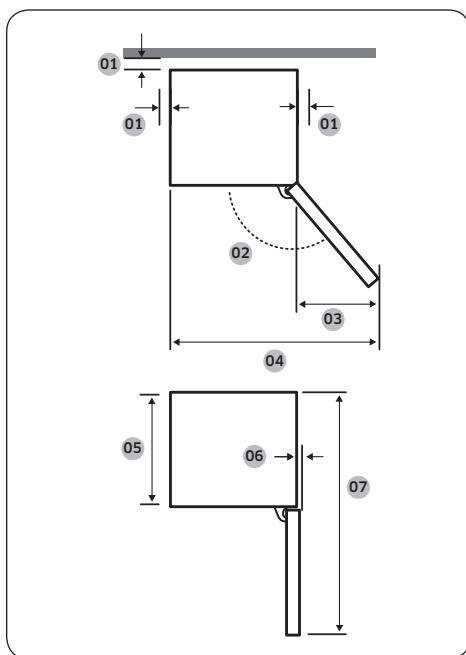
Abstand

Informationen zum Platzbedarf für die Installation erhalten Sie in den folgenden Abbildungen und Tabellen.



Modell	RB45**	RB50**	RB53**
Tiefe „A“	711		
Breite „B“	759		
Gesamthöhe „C“	1780	1920	2030

(Einheit: mm)



01	mehr als 50 mm empfohlen
02	Kühlabteil: 115°, Gefrierabteil: 120°
03	551
04	1151
05	626
06	32
07	1406

(Einheit: mm)

HINWEIS

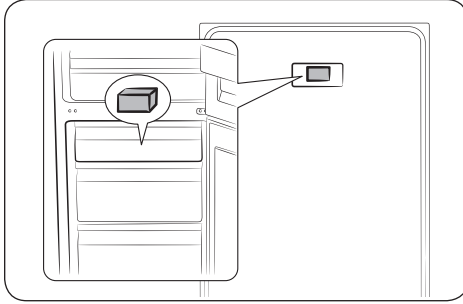
Die Abmessungen in der obigen Tabelle können je nach Mess- und Rundungsmethode geringfügig von den tatsächlichen Abmessungen abweichen.

Installation Schritt-für-Schritt

SCHRITT 1 Abstand (nur bestimmte Modelle)

HINWEIS

Die Anzahl der bereitgestellten Abstandshalter variiert je nach Modell. Bringen Sie alle bereitgestellten Abstandshalter an.



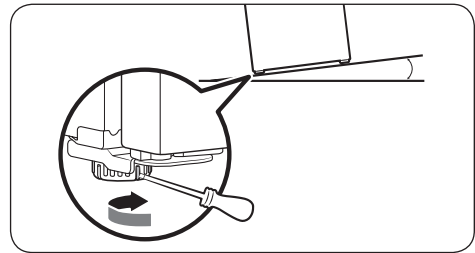
1. Öffnen Sie die Tür und suchen Sie den mitgelieferten Abstandshalter (Grauer Block).
2. Packen Sie den Abstandshalter aus und bringen Sie ihn an der Rückseite der Kühl-/Gefrierkombination an (siehe Abbildung). Sie tragen dazu bei, dass Luft an die Rückwand gelangt und senken so den Stromverbrauch.

SCHRITT 2 Einstellen der Justierfüße

VORSICHT

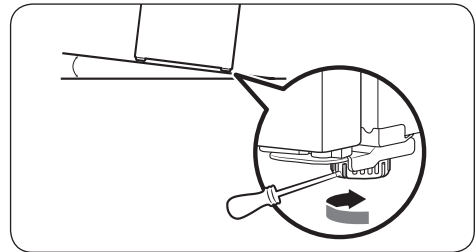
- Die Kühl-/Gefrierkombination muss auf ebenem, festem Untergrund stehen. Anderenfalls kann es zu Schäden an der Kühl-/Gefrierkombination oder zu Verletzungen kommen.
- Führen Sie die Nivellierung mit der leeren Kühl-/Gefrierkombination durch. Achten Sie darauf, dass keine Lebensmittel in der Kühl-/Gefrierkombination bleiben.
- Stellen Sie die Vorderseite aus Sicherheitsgründen ein wenig höher als die Rückseite ein.

Das Nivellieren der Kühl-/Gefrierkombination kann mit Hilfe der hinteren Standfüße erfolgen. Diese verfügen zu diesem Zweck über eine Spezialschraube (Nivellierschraube). Verwenden Sie zum Nivellieren einen Schlitzschraubendreher.



So stellen Sie die Höhe auf der linken Seite ein:

Setzen Sie an der Nivellierschraube am vorderen linken Standfuß einen Schlitzschraubendreher an. Drehen Sie die Nivellierschraube im Uhrzeigersinn, um das Gerät anzuheben, und gegen den Uhrzeigersinn, um es abzusenken.

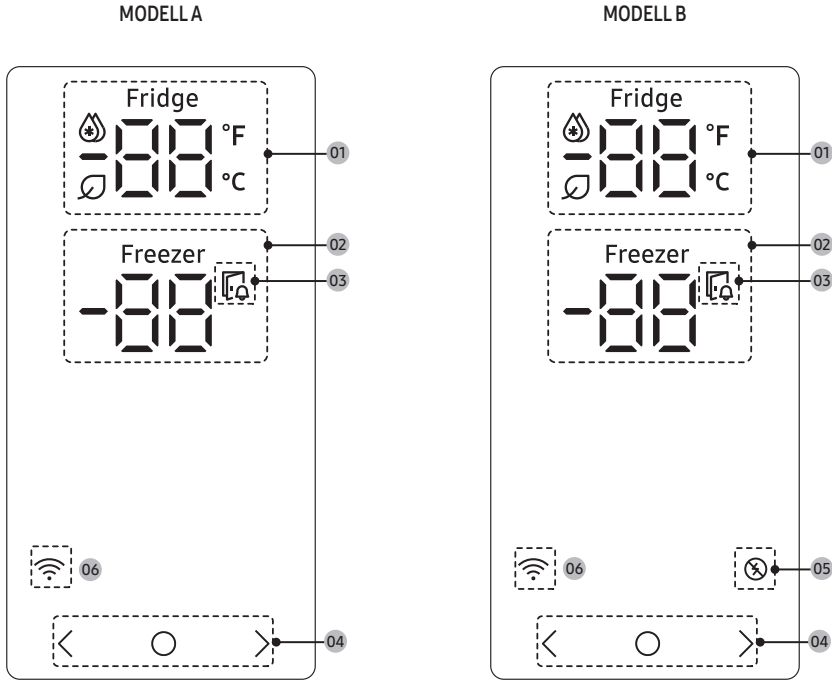


So stellen Sie die Höhe auf der rechten Seite ein:

Setzen Sie an der Nivellierschraube am vorderen rechten Standfuß einen Schlitzschraubendreher an. Drehen Sie die Nivellierschraube im Uhrzeigersinn, um das Gerät anzuheben, und gegen den Uhrzeigersinn, um es abzusenken.

Bedienung

Bedienfeld



01 Kühlabteilanzeige	<ul style="list-style-type: none"> • Zeigt die Ist- oder die Solltemperatur des Kühlabteils an. • Zeigt an, dass die Funktion Turbokühlung eingeschaltet ist. • Das Symbol wird angezeigt, wenn Sie in der SmartThings-App den AI Energy Mode aktivieren. (nur bestimmte Modelle)
02 Gefrierabteilanzeige	<ul style="list-style-type: none"> • Zeigt die Ist- oder die Solltemperatur des Gefrierabteils an. • Zeigt an, dass die Funktion Turbokälte eingeschaltet ist.
03 Anzeige für eine geöffnete Gerätetür	Diese Anzeige blinkt und Sie hören einen Alarm, wenn die Tür für mehr als 2 Minuten offen gelassen wird.
04 Schaltflächen und Tasten	<ul style="list-style-type: none"> • Um die Anzeige wieder einzuschalten, wenn sie deaktiviert ist, tippen Sie einfach auf eine beliebige Taste. • Wählen Sie mit das Kühl- oder Gefrierabteil und mit die gewünschte Temperatur oder Funktion für das zuvor gewählte Abteil.

05 Indikator für den Spitzenbedarf *	<ul style="list-style-type: none"> • Zeigt den Status der Funktion Spitzenbedarf an. • Weitere Informationen über die Funktion Spitzenbedarf finden Sie im Benutzerhandbuch oder auf der Samsung-Website.
06 Anzeige der Netzwerkverbindung	<ul style="list-style-type: none"> • Dieses Symbol zeigt an, dass die Kühl-/Gefrierkombination mit einem Netzwerk verbunden ist. Wenn das WLAN-Symbol blinkt, empfehlen wir, die Kühl-/Gefrierkombination mit der SmartThings-App zu verbinden. Sie können Ihre Kühl-/Gefrierkombination über die SmartThings-App steuern und überwachen. Weitere Informationen finden Sie im Abschnitt SmartThings.

HINWEIS

Wenn die Tür 5 Minuten lang offen steht, blinkt die Innenbeleuchtung 5 Minuten lang und schaltet sich dann aus. Damit sollen Benutzer mit Hörproblemen darauf aufmerksam gemacht werden, dass eine Tür offen steht. Beachten Sie, dass dies eine normale Funktion ist.

SmartThings

Installation

Besuchen Sie Google Play Store, Galaxy Apps oder Apple App Store und suchen Sie nach „SmartThings“. Laden Sie die von Samsung Electronics zur Verfügung gestellte SmartThings-App herunter und installieren Sie diese auf Ihrem Smart-Gerät.

HINWEIS

- Welche Softwareversion die SmartThings-App unterstützt, hängt von den Richtlinien des Herstellers zur Unterstützung von Betriebssystemen ab. Im Hinblick auf die SmartThings-App und die von der App unterstützten Funktionen kann die neue Update-Richtlinie für die jeweilige Betriebssystemversion aus Gründen der Benutzerfreundlichkeit oder der Sicherheit ausgesetzt werden.
- Jederzeitige unangekündigte Änderungen der SmartThings-App zur Verbesserung der Benutzerfreundlichkeit oder der Leistung sind vorbehalten. Da die Betriebssystemversion des Mobilgeräts jedes Jahr aktualisiert wird, wird auch SmartThings laufend an das neueste Betriebssystem angepasst. * Kontaktieren Sie uns bitte unter st.service@samsung.com, falls Sie Fragen zu den oben genannten Themen haben.
- Empfohlene Verschlüsselungssysteme sind unter anderem WPA/TKIP und WPA2/AES. Neuere oder nicht genormte WLAN-Authentifizierungsprotokolle werden nicht unterstützt.
- Drahtlose Netzwerke können durch die sie umgebende drahtlose Kommunikationsumgebung beeinflusst werden.
- Wenn Ihr Internetdienstanbieter die MAC-Adresse Ihres PCs oder Modems zur Identifikation gespeichert hat, kann sich Ihre Samsung Smart-Kühl-/Gefrierkombination möglicherweise nicht mit dem Internet verbinden. Wenn dies der Fall ist, wenden Sie sich für technische Unterstützung an Ihren Internetdienstanbieter.
- Die Firewall-Einstellungen Ihres Netzwerks können den Zugriff Ihrer Samsung Smart-Kühl-/Gefrierkombination auf das Internet verhindern. Wenden Sie sich für technische Unterstützung an Ihren Internetdienstanbieter. Wenn sich dieses Symptom weiterhin zeigt, wenden Sie sich an das nächste Samsung-Kundendienstzentrum oder an einen Samsung-Händler.
- Informationen zur Konfiguration der Zugangspunkteinstellungen finden Sie im Benutzerhandbuch unter Zugangspunkte (Router).
- Samsung Smart-Kühl-/Gefrierkombinationen unterstützen WLAN 2,4 GHz mit IEEE 802.11 b/g/n sowie Soft-AP-Protokolle. (IEEE 802.11 n wird empfohlen).
- Nicht zugelassene WLAN-Router können sich möglicherweise nicht mit den jeweiligen Samsung Smart Kühl-/Gefrierkombinationen verbinden.

Samsung-Konto

Für die Nutzung der App müssen Sie ein Samsung-Konto einrichten. Wenn Sie kein Samsung-Konto haben, befolgen Sie die Anweisungen der App zur Erstellung eines kostenlosen Samsung-Kontos.

Erste Schritte

Schalten Sie das Gerät, mit dem Sie sich verbinden möchten, ein, öffnen Sie die SmartThings-App auf Ihrem Telefon und befolgen Sie anschließend die nachstehenden Anweisungen.

Wenn ein Popup mit der Nachricht eingeblendet wird, dass ein neues Gerät gefunden wurde, tippen Sie auf **ADD NOW (JETZT HINZUFÜGEN)**.

Wenn kein Popup angezeigt wird, tippen Sie auf die Taste **+** und wählen Sie das Gerät, mit dem Sie sich verbinden möchten, aus der Liste der verfügbaren Geräte aus.

Ist Ihr Gerät nicht in der Liste der verfügbaren Geräte aufgeführt, tippen Sie auf **Supported Devices (Unterstützte Geräte)**, wählen Sie den Gerätetyp (Kühl-/Gefrierkombination) und anschließend das genaue Modell der Kühl-/Gefrierkombination aus.

Befolgen Sie die Anweisungen in der App, um Ihr Gerät einzurichten. Sobald die Einrichtung abgeschlossen ist, erscheint Ihre Kühl-/Gefrierkombination als „Karte“ auf Ihrem Bildschirm **Devices (Geräte)**.

Kühlschrank-App

Integrierte Steuerung

Sie können Ihre Kühl-/Gefrierkombination zu Hause und unterwegs überwachen und bedienen.

- Tippen Sie zuerst auf das Symbol der Kühl-/Gefrierkombination auf dem SmartThings-Dashboard oder auf das Geräte-Symbol am unteren Rand des Dashboards und dann auf die Karte „Kühl-/Gefrierkombination“, um die Seite für die Kühl-/Gefrierkombination zu öffnen.
- Prüfen Sie den Betriebsstatus oder etwaige Benachrichtigungen, die mit Ihrer Kühl-/Gefrierkombination zu tun haben und ändern Sie gegebenenfalls die Optionen oder Einstellungen.

HINWEIS

Einige Optionen und Einstellungen der Kühl-/Gefrierkombination stehen über die Fernbedienung nicht zur Verfügung.

Wartung und Pflege

Reinigung

Innen und außen

⚠️ WARNUNG

- Verwenden Sie niemals Waschbenzin, Verdüner, Bleichmittel oder Autoreinigungsmittel, um die Kühl-/Gefrierkombination Gerät zu reinigen. Andernfalls können Schäden an der Oberfläche der Kühl-/Gefrierkombination oder ein Brand die Folge sein.
- Sprühen Sie kein Wasser auf die Kühl-/Gefrierkombination. Andernfalls besteht die Gefahr von Stromschlägen.

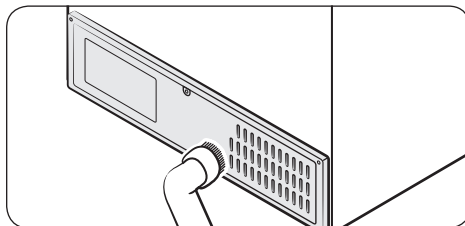
Entfernen Sie eventuelle Fremdkörper (z. B. Staub oder Wasser) in regelmäßigen Abständen mit einem trockenen Tuch vom Netzstecker und von den Kontakten.

1. Ziehen Sie das Netzkabel aus der Steckdose.
2. Verwenden Sie ein angefeuchtetes, weiches, fusselfreies Tuch oder ein Papiertuch, um die Innen- und Außenflächen der Kühl-/Gefrierkombination zu reinigen.
3. Wenn Sie fertig sind, verwenden Sie ein trockenes Tuch oder ein Papiertuch, um das Gerät gründlich zu trocknen.
4. Verbinden Sie das Netzkabel mit der Steckdose.

Gummidichtungen

Wenn die Gummidichtungen einer Tür verschmutzt sind, schließt die Tür möglicherweise nicht mehr richtig. Das verschlechtert Leistung und Effizienz der Kühl-/Gefrierkombination. Verwenden Sie zum Reinigen der Gummidichtungen ein mildes Reinigungsmittel und ein feuchtes Tuch. Anschließend mit einem Tuch gut trocknen.

Rückwand



Um Kabel und freiliegende Teile der Rückwand frei von Schmutz zu halten, saugen Sie die Rückwand ein- bis zweimal pro Jahr mit dem Staubsauger ab.

⚠️ VORSICHT

Entfernen Sie dabei nicht die Rückwandverkleidung. Andernfalls besteht die Gefahr eines elektrischen Schlags.

LED-Lampen

Wenn Sie die Leuchten der Kühl-/Gefrierkombination austauschen müssen, wenden Sie sich an das nächstgelegene Samsung-Kundendienstzentrum.

⚠️ WARNUNG

Die Lampen können nicht vom Benutzer gewartet werden. Versuchen Sie nicht, eine Lampe selbst auszutauschen. Es besteht Stromschlaggefahr.

Leuchte (Lichtquelle)

Dieses Gerät enthält eine Lichtquelle der Energieeffizienzklasse <G>.

Die Leuchte(n) und/oder das/die Vorschaltgerät(e) dürfen vom Benutzer nicht gewartet werden. Um die Leuchten und/oder Vorschaltgeräte auszutauschen, wenden Sie sich an das nächstgelegene Samsung-Kundendienstzentrum.

Ausführliche Anweisungen zum Austauschen der Leucht(en) oder Vorschaltgerät(e) in Ihrem Produkt finden Sie auf der Samsung-Website (<http://www.samsung.com>). Wechseln Sie dort zu Support > Support-Startseite und geben Sie dann die Modellbezeichnung ein.

Detaillierte Anweisung zum Ausbauen der Leuchte(n) und/oder des/der Vorschaltgerät(e) finden Sie in der obigen Anweisung zum Tauschen.

Informationen über Open-Source-Software

Die in diesem Produkt verwendete Software enthält Open Source-Code. Sie können den entsprechenden Quellcode für einen Zeitraum von drei Jahren nach der letzten Auslieferung dieses Produkts vollständig erhalten, wenn Sie unser Supportteam über <http://opensource.samsung.com> (Menü „Inquiry (Anfrage)“) kontaktieren.

Es ist auch möglich, den entsprechenden Quellcode vollständig auf einem Medium wie einer CD-ROM zu erhalten. Hierfür wird eine minimale Gebühr erhoben.

Die folgende URL führt Sie zu den Informationen bezüglich der Open Source-Lizenz im Zusammenhang mit diesem Gerät: http://opensource.samsung.com/opensource/COMMON_TZ6_0/seq/0. Dieses Angebot gilt für jeden, der diese Informationen erhält.

Anhang

Sicherheitshinweise

- Für eine möglichst effiziente Energienutzung wird empfohlen, alle Einsätze, wie z. B. Türfächer, Schubfächer, Fachböden oder den Eiswürfelbehälter, in der vom Hersteller angegebenen Position im Gerät zu verwenden.
- Dieses Kühlgerät ist nicht für die Verwendung als Einbaugerät vorgesehen.

Installationsanleitung

für Kühlgeräte mit Klimaklasse

In Abhängigkeit von der Klimaklasse ist dieses Kühlgerät für den Einsatz in den in der folgenden Tabelle angegebenen Umgebungstemperaturbereichen vorgesehen.

Die Klimaklasse ist auf dem Typenschild zu finden. Das Gerät funktioniert bei Temperaturen außerhalb des jeweiligen Bereichs möglicherweise nicht ordnungsgemäß.

Sie können die Klimaklasse auf dem Etikett im Inneren Ihrer Kühl-/Gefrierkombination ablesen.

Effektiver Temperaturbereich

Die Kühl-/Gefrierkombination ist so ausgelegt, dass sie im Temperaturbereich ihrer Klimaklasse normal arbeitet.

Klimaklasse	Symbol	Raumtemperaturbereich (°C)	
		IEC 62552 (ISO 15502)	ISO 8561
Kalt gemäßigt (subnormal)	SN	+10 bis +32	+10 bis +32
Warm gemäßigt (normal)	N	+16 bis +32	+16 bis +32
Subtropisch	ST	+16 bis +38	+18 bis +38
Tropisch	T	+16 bis +43	+18 bis +43

HINWEIS

Die Kühlleistung und der Energieverbrauch der Kühl-/Gefrierkombination können von der Umgebungstemperatur, der Türöffnungshäufigkeit und der Position der Kühl-/Gefrierkombination beeinflusst werden. Wir empfehlen, angemessene Temperatureinstellungen zu verwenden.

Angaben zur Temperatur

Empfohlene Temperatur

Die optimale Temperatur für die Lagerung von Lebensmitteln:

- Kühlabteil: 3 °C
- Gefrierabteil: -19 °C

HINWEIS

Die optimale Temperatureinstellung für jedes Fach hängt von der Umgebungstemperatur ab. Die obige Optimaltemperatur ergibt sich bei einer Umgebungstemperatur von 25 °C.

Turbokühlung

Die Turbokühlung beschleunigt das Abkühlen bei maximaler Lüfterdrehzahl. Das Kühlabteil läuft zweieinhalb Stunden lang mit voller Leistung weiter. Danach wird das Gerät wieder mit der vorher eingestellten Temperatur betrieben.

Turbokälte

Mit Turbokälte wird das Einfrieren bei maximaler Lüfterdrehzahl beschleunigt. Das Gefrierabteil läuft 50 Stunden lang mit voller Leistung. Danach wird das Gerät wieder mit der vorher eingestellten Temperatur betrieben. Um größere Mengen an Lebensmitteln einzufrieren, aktivieren Sie Turbokälte für mindestens 20 Stunden, bevor Sie die Lebensmittel in das Gefrierabteil stellen.

HINWEIS

Der Energieverbrauch der Kühl-/Gefrierkombination steigt, wenn Sie diese Funktion verwenden. Denken Sie daran, diese Funktion zu deaktivieren, wenn Sie sie nicht benötigen, und betreiben Sie das Gefrierabteil mit der ursprünglichen Temperatureinstellung.

Regeln zur Lagerung mit bester Haltbarkeit (nur bei bestimmten Modellen)

Decken Sie Lebensmittel ab, um Feuchtigkeit zu speichern und zu verhindern, dass sie Gerüche von anderen Lebensmitteln aufnehmen. Ein großer Topf mit z. B. Suppe oder Eintopf sollte in kleine Portionen aufgeteilt und in flache Behälter gegeben werden, ehe sie sie kühlen. Ein großes Stück Fleisch oder Geflügel im Ganzen sollte vor dem Kühlen in kleinere Stücke zerteilt oder in flache Behälter gelegt werden.

Anordnung der Lebensmittel in der Kühl-/Gefrierkombination

Fachböden	Die Fachböden sollten verstellbar sein, damit sie eine Vielzahl von Packungsgrößen aufnehmen können.
Spezialfach (nur bei bestimmten Modellen)	Versiegelte Gemüsefächer bieten eine optimale Aufbewahrungsumgebung für Obst und Gemüse. Gemüse benötigt höhere Feuchtigkeit, während Früchte weniger Feuchtigkeit benötigen. Gemüsefächer sind mit Vorrichtungen zum Regulieren der Feuchtigkeit ausgestattet. (*je nach Modell und Zubehör) Ein Fleischschubfach mit einstellbarer Temperatur maximiert die Aufbewahrungszeit von Fleisch und Käse.
An der Tür verstaut	Bewahren Sie verderblichen Lebensmittel nicht in der Tür. Eier sollten im Karton in einem Regalfach aufbewahrt werden. Die Temperatur der Türfächer in der Tür schwankt stärker als die Temperatur in der Kühl-/Gefrierkombination. Halten Sie die Tür so weit wie möglich geschlossen.
Gefrierabteil	Im Gefrierabteil können Sie Tiefkühlkost aufbewahren, Eiswürfel herstellen und frische Lebensmittel einfrieren.

HINWEIS

Frieren Sie nur frische, einwandfreie Lebensmittel ein. Legen Sie Lebensmittel, die Sie neu einfrieren möchten, möglichst nicht neben solche, die bereits eingefroren sind. Damit Lebensmittel nicht ihren Geschmack verlieren oder austrocknen, müssen Sie sie in luftdicht verschlossenen Behältern oder Gefrierbeuteln aufbewahren.

Tabelle zur Lagerung in Kühl-/Gefrierkombinationen und Gefrierabteilen

Wie lange Lebensmittel frisch bleiben, hängt von Temperatur und der Feuchtigkeitseinwirkung ab. Da die Angaben auf dem Produkt für die sichere Verwendung eines Produkts nicht verlässlich sind, schlagen Sie in dieser Tabelle nach und befolgen Sie diese Tipps.

Produkt		Kühlabteil	Gefrierabteil
Milchprodukte	Milch	1 Woche	1 Monat
	Butter	2 Wochen	12 Monate
	Frischkäse	2 Wochen	Nicht empfehlenswert
Fleisch	Frischer Braten, Steaks, Koteletts	3-4 Tage	2-3 Monate
	Wurst, Rohes vom Schwein, Rind, Pute	1-2 Tage	1-2 Monate
Geflügel/Eier	Frisches Geflügel	2 Tage	6-8 Monate
	Eier, frisch in der Schale	2-4 Wochen	Nicht empfehlenswert
Fisch / Meeresfrüchte	Frischer Fisch	1-2 Tage	3-6 Monate
	Getrockneter oder eingelegter Fisch	3-4 Wochen	-
Obst	Äpfel	1 Monat	-
	Sonstiges Frischobst	3-5 Tage	9-12 Monate
Gemüse	Spargel	2-3 Tage	-
	Brokkoli, Rosenkohl, grüne Erbsen, Pilze	3-5 Tage	-
	Kohl, Blumenkohl, Sellerie, Gurken, Kopfsalat	1 Woche	-
	Karotten, Rüben, Radieschen	2 Wochen	-

Modellinformationen und Bestellung von Ersatzteilen

Modellinformationen

Scannen Sie den QR-Code auf dem Energieaufkleber, um Informationen über dieses Produkt aus dem Europäischen Produktregister für Energiekennzeichnung (EPREL) abzurufen.

Sie finden den QR-Code auf dem Energieaufkleber in Ihrer Produktverpackung.

Angaben zu Ersatzteil

- Abgaben zum Zeitraum, während dem Ersatzteile vorgehalten werden, die für die Reparatur des Geräts erforderlich sind:
 - 7 Jahre: Thermostate, Temperaturfühler, Leiterplatten und Lichtquellen, Türgriffe, Türscharniere, Fachböden, Körbe (Kästen oder Auszüge)
 - 10 Jahre –Türdichtungen
- Die Mindestdauer der vom Hersteller geleisteten Garantie für das Kühlgerät beträgt 24 Monate.
- Relevante Informationen für die Bestellung von Ersatzteilen, sei es direkt bei Samsung oder über andere Kanäle, werden vom Hersteller, Importeur oder einem offiziellen Vertreter zur Verfügung gestellt.
- Informationen zu Reparaturfachbetrieben erhalten Sie auf <http://samsung.com/support>. Das Servicehandbuch für Benutzer erhalten Sie auf <http://samsung.com/support>.

HINWEIS

Hiermit erklärt Samsung, dass dieses Funkgerät den Bestimmungen der Richtlinie 2014/53/EU und den entsprechenden gesetzlichen Vorschriften im Vereinigten Königreich entspricht.

Der vollständige Wortlaut der Konformitätserklärungen für die EU und das Vereinigte Königreich ist unter der folgenden Internetadresse verfügbar: Die offizielle Konformitätserklärung finden Sie unter <http://www.samsung.com>. Wechseln Sie zu Support > Produktsuche, und geben Sie den Modellnamen ein.

	Frequenzbereich	Senderleistung (Max)
WLAN	2412 – 2472 MHz	20 dBm
Bluetooth	2402 – 2480 MHz	20 dBm

Sprechen Sie mit SAMSUNG WORLD WIDE

Bei Fragen oder Hinweisen zu Produkten von Samsung setzen Sie sich bitte mit dem nächstgelegenen Kundendienstzentrum von SAMSUNG in Verbindung.

Land	Kundendienst	Website
FRANCE	01 48 63 00 00	www.samsung.com/fr/support
GERMANY	06196 77 555 77	www.samsung.com/de/support
LUXEMBURG	261 03 710	www.samsung.com/be_fr/support
NETHERLANDS	088 90 90 100	www.samsung.com/nl/support
BELGIUM	02-201-24-18	www.samsung.com/be/support (Dutch) www.samsung.com/be_fr/support (French)
NORWAY	21629099	www.samsung.com/no/support
DENMARK	707 019 70	www.samsung.com/dk/support
FINLAND	030-6227 515	www.samsung.com/fi/support
SWEDEN	0771-400 300	www.samsung.com/se/support
CYPRUS	8009 4000 only from landline, toll free	www.samsung.com/gr/support
GREECE	80111-SAMSUNG (80111 726 7864) only from land line (+30) 210 6897691 from mobile and land line	
ITALIA	800-SAMSUNG (800.7267864)	www.samsung.com/it/support
PORTUGAL	210 608 098 Chamada para a rede fixa nacional Dias úteis das 9h às 20h	www.samsung.com/pt/support
SPAIN	91175 0015	www.samsung.com/es/support



DA68-04780Q-00

Koelkast

Eenvoudige

gebruikershandleiding

Losstaand apparaat

- Om waardevolle natuurlijke hulpbronnen te besparen, gebruiken we minder papieren handleidingen en bieden we elektronische gebruikershandleidingen die u kunt bekijken op uw smartphone of via een website.
- Raadpleeg de gebruikershandleidingen die als QR-code worden geleverd of de website van Samsung Electronics (<http://www.samsung.com/sec/>) voor instructies over het gebruik van het product.
- Ga voor meer informatie over de volgende zaken naar de Samsung-website (<http://www.samsung.com>), ga naar het gedeelte Support en zoek vervolgens op de modelnaam.
 - Stroomverbruik verminderen, aanvullende tips voor correct gebruik, bediening, onderhoud, type koelkast, specificaties (afmetingen).

De gebruikershandleidingen bekijken

1. Open een QR-code-lezer en scan de QR-afbeelding die bij het product zit.
2. Selecteer een menu uit de productregistratie, het bekijken van de handleidingen of het verbinden van een service. Selecteer een handleiding om de handleiding van het gekochte product te bekijken.

SAMSUNG

Inhoudsopgave

Veiligheidsinformatie	3	Onderhoud	16
Belangrijke veiligheidsvoorschriften	4	Reinigen	16
Instructies over de AEEA-richtlijn	8		
Veiligheidsgids	8	Bijlage	17
Installatie	10	Veiligheidsinstructie	17
Overzicht van de koelkast	10	Installatieinstructie	17
Vrije ruimte	11	Temperatuurinstructie	17
Stapsgewijze installatie	12	Informatie over het model en het bestellen van reserveonderdelen	19
Bediening	13		
Hoofdpaneel	13		
SmartThings	14		

Veiligheidsinformatie

- R-600a of R-134a wordt gebruikt als koelmiddel. Raadpleeg het compressorlabel achter op het apparaat of het typeplaatje binnen in de koelkast om te controleren welk koelmiddel er in uw apparaat wordt gebruikt. Als dit product brandbaar gas bevat (koelmiddel R-600a), neemt u contact op met de plaatselijke autoriteiten met betrekking tot het veilig afvoeren van dit product.
- Als u het vormen van een brandbaar gas-luchtmengsel wilt vermijden bij een lek in het koelcircuit, dient u rekening te houden met de grootte van de ruimte waarin het apparaat staat en met de hoeveelheid koelmiddel die wordt gebruikt.
- Zet nooit een apparaat aan dat tekenen van schade vertoont. Neem bij twijfel contact op met uw dealer. De ruimte moet 1 m³ groot zijn voor elke 8 g aan R-600a-koelmiddel in het apparaat.
- Neem de volgende instructies in acht om besmetting van voedsel te voorkomen:
 - Als de deur te lang geopend is, kan de temperatuur in de koelkastcompartimenten aanzienlijk stijgen.
 - Oppervlakken die in contact komen met etenswaren en bereikbare afvoersystemen moeten regelmatig worden gereinigd.
 - Wanneer watertanks gedurende 48 uur niet zijn gebruikt, dient u deze te reinigen. Als er 5 dagen lang geen water is gebruikt, dient u het watersysteem te spoelen door het aan te sluiten op een watertoevoer.
 - Bewaar rauw vlees en rauwe vis in de koelkast in geschikte bakken, zodat dit niet in contact kan komen met andere etenswaren en geen vocht kan lekken op andere etenswaren.

- Vriescompartimenten met twee sterren zijn geschikt voor het bewaren van ingevroren etenswaren, voor het bewaren of maken van ijs en voor het maken van ijsblokjes.
 - Compartimenten met één, twee en drie sterren zijn niet geschikt voor het invriezen van verse etenswaren.
 - Als de koelkast langere tijd leeg is, moet u deze uitschakelen, ontdooien, reinigen, droogmaken en de deur open laten staan om te voorkomen dat er schimmelvorming in de koelkast ontstaat.
- Alleen met drinkwater vullen.
 - Alleen aansluiten op watertoevoer voor drinkwater.
 - Houd de ventilatieopeningen in de kast of ombouw van het apparaat vrij.
 - Gebruik geen mechanische apparaten of andere middelen om het ontdooien te bespoedigen, tenzij deze door de fabrikant worden aanbevolen.
 - Beschadig het koelcircuit niet.
 - Gebruik geen elektrische apparaten in de compartimenten voor voedingsmiddelen, tenzij ze van het type zijn dat door de fabrikant wordt aanbevolen.

Belangrijke veiligheidsvoorschriften



**Waarschuwing;
brandgevaar/
brandbare materialen**



WAARSCHUWING

- Zorg bij het plaatsen van het apparaat dat de voedingskabel niet wordt bekneld of beschadigd.
- Plaats niet meerdere verlengsnoeren of stekkerdozen achter het apparaat.
- Dit apparaat is niet bedoeld voor personen (waaronder kinderen) met een verminderd fysiek, zintuiglijk of mentaal vermogen of met onvoldoende ervaring en kennis, tenzij ze onder toezicht staan of instructies hebben gekregen met betrekking tot het gebruik van het apparaat van een persoon die verantwoordelijk is voor hun veiligheid.

- Dit apparaat kan door kinderen vanaf 8 jaar en door personen met een verminderd fysiek, zintuiglijk of mentaal vermogen of gebrek aan ervaring en kennis worden gebruikt. In dat geval dient er toezicht te zijn of dienen aan deze personen instructies te zijn gegeven omtrent veilig gebruik van het apparaat en moeten deze personen begrijpen welke gevaren het gebruik met zich meebrengt. Kinderen mogen niet met het apparaat spelen. Reiniging en gebruikersonderhoud mogen niet zonder toezicht door kinderen worden uitgevoerd. Kinderen van 3 t/m 8 jaar mogen koelkasten vullen en leeghalen.
- Als het netsnoer is beschadigd, moet dit door de fabrikant, een door de fabrikant aangewezen servicebedrijf of een vergelijkbaar gekwalificeerd persoon worden vervangen om schade te voorkomen.
- Zorg dat het stopcontact goed toegankelijk is zodat u de stekker van het apparaat snel kunt lostrekken bij een noodgeval.
 - Het stopcontact mag zich niet achter het apparaat bevinden.
- Bewaar in dit apparaat geen explosieve stoffen zoals spuitbussen met een brandbaar drijfgas.
- Als het product is uitgerust met LED-lampjes, neem de kapjes dan niet zelf van de lampjes en demonteer de LED-lampjes niet zelf.
 - Neem contact op met een Samsung-onderhoudscentrum.
 - Gebruik uitsluitend de LED-lampjes die door de fabrikant of door de servicebedrijven zijn geleverd.
- Gebruik de nieuwe slangensets die bij het apparaat worden geleverd. Oude slangensets mogen niet worden hergebruikt.

- De watertoevoer naar deze koelkast mag alleen worden aangesloten op een watertoevoer met drinkwater. Voor het goed functioneren van de ijsmaker is een waterdruk van 206-861 kPa (30-125 psi) vereist.
- Voor het efficiëntste energiegebruik dient u alle onderdelen zoals bakken, laden en leggers op de plaats te houden waar deze door de fabrikant zijn geleverd.
- Voor een optimale energie-efficiëntie laat u alle schappen, laden en manden op de oorspronkelijke positie.

Dit apparaat is bedoeld om te worden gebruikt in huishoudens en soortgelijke toepassingen, zoals

- personeelskantines in winkels, kantoren en andere bedrijfsomgevingen;
- pensions, en door klanten in hotels, motels en andere accommodaties;
- bed & breakfast-achtige omgevingen;
- catering en soortgelijke kleinhandelstoepassingen.

⚠ WAARSCHUWING

- Dit apparaat bevat een kleine hoeveelheid isobutaan (R-600a), een natuurlijk, milieuvriendelijk gas, dat echter zeer brandbaar is. Bij het transporteren en installeren van het apparaat moet u ervoor zorgen dat er geen onderdelen van het koelcircuit beschadigd raken.
- Bewaar geen vluchtige of brandbare voorwerpen of stoffen (zoals wasbenzine, thinner, propaangas, alcohol, ether, LP-gas en dergelijke producten) in de koelkast.
 - Deze koelkast is uitsluitend bestemd om voedsel in te bewaren.
 - Dit kan brand of een explosie veroorzaken.
- Vul de watertank, de ijslade en het ijsblokjesbakje uitsluitend met drinkwater (mineraalwater of gezuiverd water).
 - Vul de tank niet met thee, sap of sportdranken. Hierdoor kan de koelkast beschadigd raken.

- R-600a of R-134a wordt gebruikt als koelmiddel. Raadpleeg het compressorlabel achter op het apparaat of het typeplaatje binnen in de koelkast om te controleren welk koelmiddel er in uw koelkast wordt gebruikt. Als deze koelkast brandbaar gas bevat (koelmiddel R-600a), neemt u contact op met de plaatselijke autoriteiten met betrekking tot het veilig afvoeren van dit product.
- Bij het afvoeren van deze koelkast, dient u de deur/ deurafdichtingen en deurklink te verwijderen, zodat kleine kinderen of dieren er niet in kunnen worden opgesloten. Kinderen mogen het apparaat uitsluitend onder toezicht gebruiken om te voorkomen dat ze ermee gaan spelen. Als een kind in een koelkast opgesloten komt te zitten, kan het letsel oplopen of stikken.
 - Als een kind in een koelkast opgesloten komt te zitten, kan het stikken.
- Cyclopentaan wordt gebruikt in de isolatie. De gasen in het isolatiemateriaal vereisen een speciale verwijderingsprocedure. Neem contact op met de plaatselijke autoriteiten met betrekking tot het milieuvriendelijk verwijderen van dit product.
- De temperatuur in een vriesvak met twee sterren of een compartiment met een tweesterrensymbool () ligt enigszins hoger dan in andere vriesvakken. De vriesvakken of compartimenten met twee sterren zijn gebaseerd op de instructie en/of toestand bij aflevering.

Instructies over de AEEA-richtlijn



Correcte verwijdering van dit product (elektrische & elektronische afvalapparatuur)

(Van toepassing in landen waar afval gescheiden wordt ingezameld)

Dit merkteken op het product, de accessoires of het informatiemateriaal duidt erop dat het product en zijn elektronische accessoires (bv. lader, headset, USB-kabel) niet met ander huishoudelijk afval verwijderd mogen worden aan het einde van hun gebruiksduur. Om mogelijke schade aan het milieu of de menselijke gezondheid door ongecontroleerde afvalverwijdering te voorkomen, moet u deze artikelen van andere soorten afval scheiden en op een verantwoorde manier recycleren, zodat het duurzame hergebruik van materiaalbronnen wordt bevordert.

Huishoudelijke gebruikers moeten contact opnemen met de winkel waar ze dit product hebben gekocht of met de gemeente waar ze wonen om te vernemen waar en hoe ze deze artikelen milieuvriendelijk kunnen laten recycleren.

Zakelijke gebruikers moeten contact opnemen met hun leverancier en de algemene voorwaarden van de koopovereenkomst nalezen. Dit product en zijn elektronische accessoires mogen niet met ander bedrijfsafval voor verwijdering worden gemengd.

Ga voor informatie over de milieuafspraken en productspecifieke wettelijke verplichtingen van Samsung, zoals REACH, AEEA en m.b.t. accu's, naar onze duurzaamheidspagina via www.samsung.com

(Geldt alleen voor producten die worden verkocht in Europese landen en in het VK)

Veiligheidsgids

LEES VOOR GEBRUIK ALLE INSTRUCTIES

De volgende veiligheidsrichtlijnen zijn bedoeld om onvoorziene risico's of schade door onveilig of onjuist gebruik van het apparaat te voorkomen.

De richtlijnen zijn onderverdeeld in 'WAARSCHUWING' en 'LET OP', zoals hieronder beschreven.

Veiligheidsberichten

Dit symbool wordt weergegeven om zaken en handelingen aan te geven die risico's kunnen opleveren. Lees het gedeelte met dit symbool zorgvuldig door en volg de instructies op om risico's te vermijden.

⚠ WAARSCHUWING

Dit geeft aan dat het niet opvolgen van de instructies ernstig letsel of de dood kan veroorzaken.

⚠ LET OP

Dit geeft aan dat het niet opvolgen van de instructies licht letsel of schade aan het product kan veroorzaken.

⚠ WAARSCHUWING

Om het risico van ontploffing, brand, overlijden, elektrische schokken, letsel of verbranding van personen bij het gebruik van dit product te verminderen, moet u de basisvoorzorgen in acht nemen, waaronder de volgende:

Installatie

- Dit apparaat mag alleen worden vervoerd door twee of meer personen die het apparaat stevig vasthouden.
- Installeer het apparaat op een stevige en vlakke vloer.
- Installeer het apparaat niet op een vochtige en stoffige plek. Installeer of bewaar het apparaat niet in de buitenlucht of op plaatsen die blootstaan aan weersinvloeden zoals direct zonlicht, wind, regen of temperaturen onder het vriespunt.
- Plaats het apparaat niet in direct zonlicht en stel het niet bloot aan de hitte van verwarmingsapparaten zoals fornuizen of kachels.
- Zorg ervoor dat de achterkant van het apparaat niet bloot komt te liggen bij het installeren.
- Installeer het apparaat op een plaats waar het gemakkelijk is om de stekker uit het stopcontact te halen.
- Zorg ervoor dat de deur van het apparaat niet valt tijdens het monteren of demonteren.

- Zorg ervoor dat het netsnoer niet wordt afgeknelld, geplet of beschadigd tijdens het monteren of demonteren van de deur van het apparaat.
- Zorg ervoor dat de stekker niet omhoog wijst en dat het apparaat niet tegen de stekker leunt.
- Sluit geen stekkeradapter of andere accessoires aan op de stekker.
- Pas het netsnoer niet aan en verleng het niet.
- Zorg ervoor dat het stopcontact goed is geaard en dat de aardingspen op het netsnoer niet is beschadigd of verwijderd van de stekker. Voor meer informatie over aarding kunt u navraag doen bij het servicecentrum van Samsung Electronics.
- Dit apparaat is uitgerust met een netsnoer met een aardingsgeleider en een geaarde stekker. De stekker moet worden aangesloten op een geschikt stopcontact dat is geïnstalleerd en geaard in overeenstemming met alle plaatselijke voorschriften en verordeningen.
- Zet nooit een apparaat aan dat tekenen van schade vertoont. Neem bij twijfel contact op met uw dealer.
- Sluit het apparaat niet aan op een stekkerdoos zonder netsnoer (gemonteerd).
- Het apparaat moet worden aangesloten op een eigen stroomcircuit dat apart gezekeerd is.
- Gebruik geen stekkerdoos die niet correct is geaard (draagbaar). Als u een goed geaarde (draagbare) stekkerdoos gebruikt, gebruik dan een stekkerdoos met de stroomcapaciteit van het netsnoer of hoger en gebruik de stekkerdoos alleen voor het apparaat.
- Gooi alle verpakkingsmaterialen (zoals plastic zakken en piepschuim) uit de buurt van kinderen weg. Het verpakkingsmateriaal kan verstikking veroorzaken.

Bediening

- Pas op voor kinderen in de buurt wanneer u de deur van het apparaat opent of sluit. De deur kan tegen het kind stoten en letsel veroorzaken.
- Let op dat kinderen niet opgesloten komen te zitten in het apparaat. Een kind dat opgesloten zit in het apparaat kan stikken.

LET OP

Om het risico op licht persoonlijk letsel, storingen of schade aan het product of eigendommen bij gebruik van dit product te beperken, dient u de volgende basisvoorzorgen in acht te nemen:

Bediening

- Raak bevroren voedsel of de metalen onderdelen in het vriescompartiment niet aan met natte of vochtige handen. Dit kan bevriezing van de handen veroorzaken.
- Plaats geen glazen verpakkingen, flessen of blikjes (vooral met koolzuurhoudende dranken) in het vriesvak, de leggers of de ijsbak waardoor die blootgesteld worden aan temperaturen onder het vriespunt.
- Het geharde glas aan de voorkant van de apparaatdeur of van de leggers kan beschadigd raken door een botsing. Als het kapot is. Raak het niet met de handen aan.
- Hang niet aan de deuren van het apparaat, de opslagruimte of de leggers en klim er niet op.
- Bewaar niet te veel waterflessen of bakjes voor bijgerechten in de deurmanden.
- Open of sluit de deur van het apparaat niet met overmatige kracht.
- Als het scharnier van de deur van het apparaat beschadigd is of niet goed werkt, gebruik het apparaat dan niet meer en neem contact op met een erkend servicecentrum.
- Voorkom dat dieren aan de stroomkabel of waterslang knabbelen.
- Eet diepvriesproducten nooit direct nadat ze uit het vriesvak zijn gehaald.
- Zorg ervoor dat er geen handen of voeten klem komen te zitten bij het openen of sluiten van de deur van het apparaat of de deur in de deur.

Onderhoud

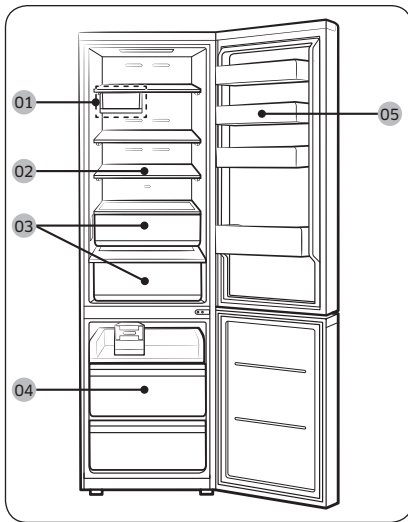
- Reinig de glazen leggers of deksels niet met warm water wanneer ze koud zijn. Ze kunnen versplinteren als ze worden blootgesteld aan plotselinge temperatuurschommelingen.
- Plaats de leggers niet ondersteboven. De leggers kunnen vallen.
- Neem contact op met het servicecentrum van Samsung Electronics wanneer aanvriezing van het apparaat moet worden verwijderd.
- Gooi het ijs uit de ijsbak in het vriesvak weg tijdens een langdurige stroomstoring.

Installatie

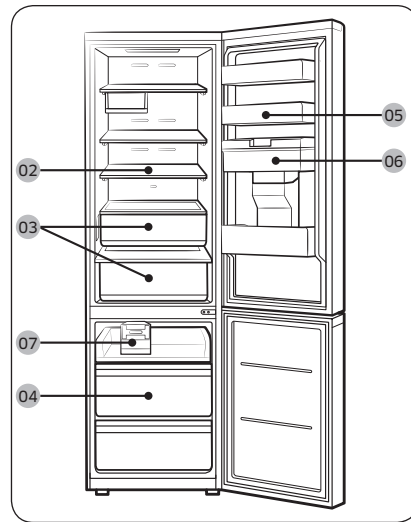
Overzicht van de koelkast

De werkelijke koelkast en de meegeleverde onderdelen van uw koelkast kunnen afwijken van de afbeeldingen in deze handleiding, afhankelijk van het model en het land.

Normaal type



Type met dispenser



01 Multilade *

02 Koelkastlegger / opvouwbare legger *

03 Groentelade *

04 Vriezerlade

05 Deurbak van koelkast

06 Watertank **

07 Twist-ijsmaker *

* alleen bepaalde modellen

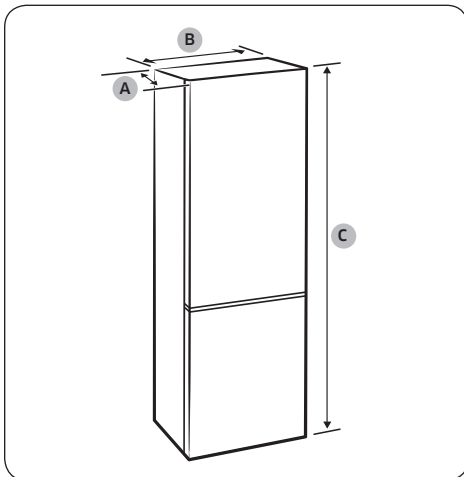
** alleen van toepassing op modellen met dispenser

OPMERKING

- Voor een optimale energie-efficiëntie laat u alle leggers, laden en manden op de oorspronkelijke positie.
- Voor meer ruimte kunt u alle laden verwijderen en de vriezerlegger (alleen bepaalde modellen) boven de onderste lade in de vriezer plaatsen omdat dit geen invloed op de thermische en mechanische eigenschappen heeft. De aangegeven opslagcapaciteit van het compartiment voor bevroren etenswaren is berekend zonder deze laden.

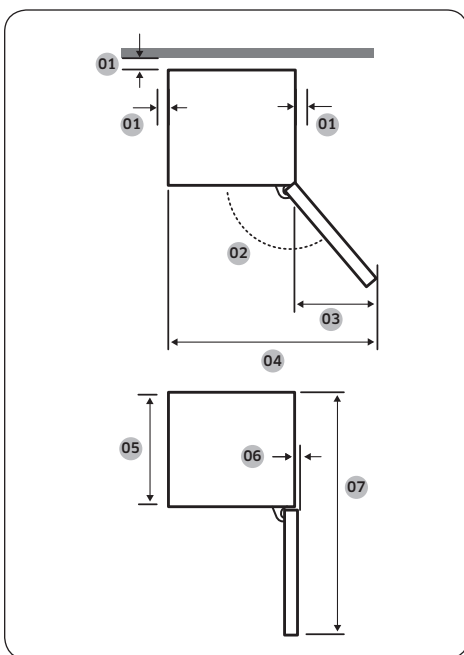
Vrije ruimte

Zie de volgende afbeeldingen en tabellen voor de benodigde ruimte voor de installatie.



Model	RB45**	RB50**	RB53**
Diepte 'A'	711		
Breedte 'B'	759		
Totale hoogte 'C'	1780	1920	2030

(eenheid: mm)



01	meer dan 50 mm aanbevolen
02	Koelkast: 115°, vriezer: 120°
03	551
04	1151
05	626
06	32
07	1406

(eenheid: mm)

OPMERKING

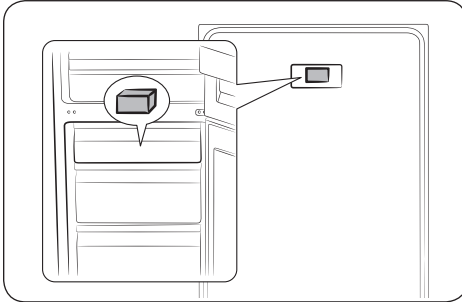
De afmetingen in bovenstaande tabel wijken mogelijk af van de werkelijke afmetingen, afhankelijk van de meet- en afrondingsmethode.

Stapsgewijze installatie

STAP 1 Tussenafstand (alleen bepaalde modellen)

OPMERKING

Het aantal meegeleverde tussenstukken verschilt per model. Bevestig alle meegeleverde tussenstukken.



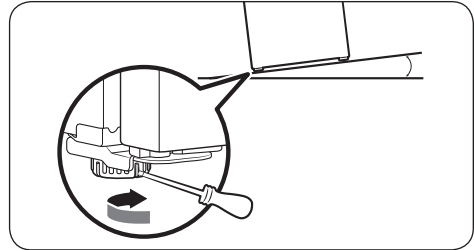
1. Open de deur en zoek het meegeleverde tussenstuk (grijs blok).
2. Pak het tussenstuk uit en bevestig het zoals weergegeven aan de achterkant van de koelkast. Dit helpt de lucht te ventileren aan de achterwand en energie te besparen.

STAP 2 De stelpoten afstellen

LET OP

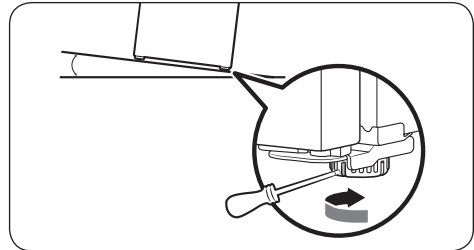
- De koelkast moet waterpas staan op een vlakke, stevige ondergrond. Wanneer u dit niet doet, kan dit leiden tot schade aan de koelkast of lichamelijk letsel.
- De koelkast moet leeg zijn wanneer u deze waterpas stelt. Zorg dat er geen etenswaren in de koelkast achterblijven.
- Stel om veiligheidsredenen de voorkant een beetje hoger af dan de achterkant.

De koelkast kan met behulp van de speciale schroef (regelaar) van de voorste stelpoten waterpas worden gesteld. Gebruik een platte schroevendraaier voor het waterpas stellen.



De hoogte van de linkerzijde afstellen:

steek een platte schroevendraaier in de regelaar van de voorste stelpot links. Draai de regelaar rechtsom om de koelkast hoger en linksom om deze lager te zetten.

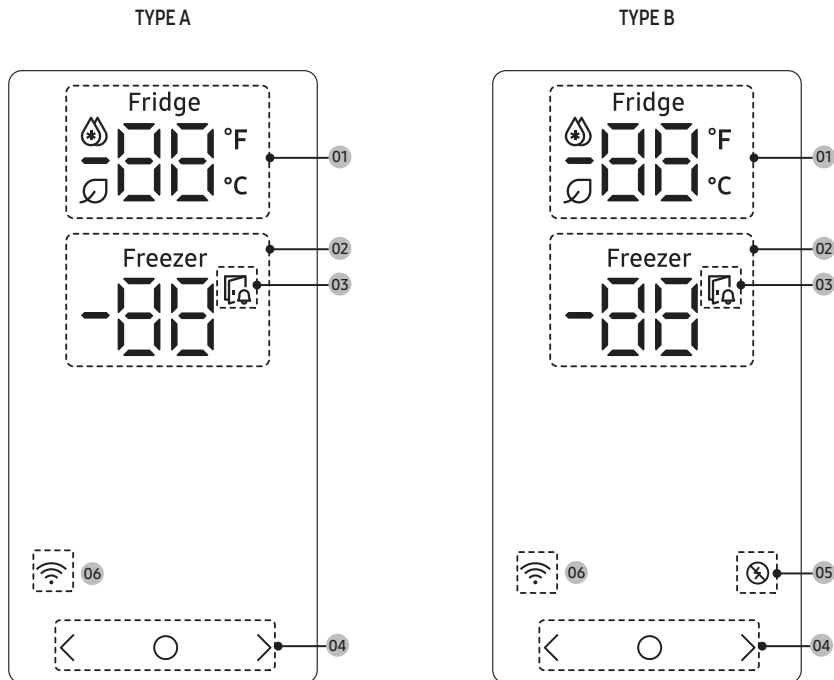


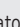
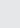

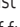
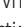

De hoogte van de rechterzijde afstellen:

steek een platte schroevendraaier in de regelaar van de voorste stelpot rechts. Draai de regelaar rechtsom om de koelkast hoger en linksom om deze lager te zetten.

Bediening

Hoofdpaneel



<p>01 Koelkastindicator</p>	<ul style="list-style-type: none"> • Geeft de huidige of gewenste temperatuur van de koelkast weer. •  geeft aan dat de functie Snelkoelen is ingeschakeld. • Het -pictogram wordt weergegeven als u de AI Energy Mode in de SmartThings-app inschakelt. (alleen bepaalde modellen)
<p>02 Vriezerindicator</p>	<ul style="list-style-type: none"> • Geeft de huidige of gewenste temperatuur van de vriezer weer. •  geeft aan dat de functie Snelvriezen ingeschakeld is.
<p>03 Indicator Deur open</p>	<p>Deze indicator knippert met een alarm als de deur meer dan 2 minuten open wordt gelaten.</p>
<p>04 Toetsen</p>	<ul style="list-style-type: none"> • Als het display uitgeschakeld is, kunt u het activeren door op een willekeurige toets te tikken. • Gebruik  om de koelkast of vriezer te selecteren en  of  om de gewenste temperatuur of functie voor het geselecteerde compartiment te selecteren.

05 Piekvraagindicator *	<ul style="list-style-type: none"> • Geeft de status van de functie Piekvraag aan. • Raadpleeg de gebruikershandleiding en ga naar de Samsung-website voor meer informatie over de functie Piekvraag.
06 Netwerkverbindingsindicator	<ul style="list-style-type: none"> • Dit pictogram geeft aan dat de koelkast is verbonden met een netwerk. Als het Wi-Fi-pictogram knippert, raden wij aan om uw koelkast met de SmartThings-app te verbinden. U kunt uw koelkast bedienen en monitoren via de SmartThings-app. Zie voor meer informatie het gedeelte 'SmartThings'.

OPMERKING

Als de deur 5 minuten open wordt gelaten, knippert het interne licht gedurende 5 minuten en gaat vervolgens uit. Zo krijgen slechthorenden een waarschuwing dat er een deur open staat. Dit is een normale functie.

SmartThings

Installatie

Ga naar Google Play Store, Galaxy Apps of Apple App Store en zoek naar SmartThings. Download en installeer de SmartThings-app van Samsung Electronics op uw smartapparaat.

OPMERKING

- De ondersteunende softwareversie van de SmartThings-app kan worden gewijzigd volgens het beleid voor ondersteunde besturingssystemen dat de fabrikant biedt. Bovendien kan, wat de SmartThings-app of de functies die de app ondersteunt betreft, het updatebeleid voor nieuwe toepassingen van het huidige besturingssysteem worden opgeschort vanwege bruikbaarheid of beveiliging.
- De SmartThings-app kan zonder voorafgaande kennisgeving worden gewijzigd om de bruikbaarheid of prestaties te verbeteren. Aangezien de besturingssystemen van mobiele telefoons elk jaar worden bijgewerkt, wordt de SmartThings-app ook voortdurend bijgewerkt conform het nieuwste besturingssysteem. Neem met vragen over de bovenstaande onderwerpen contact met ons op via st.service@samsung.com
- Aanbevolen versleutelingssystemen zijn WPA/TKIP en WPA2/AES. Nieuwere of afwijkende Wi-Fi-verificatieprotocollen worden niet ondersteund.
- Draadloze netwerken kunnen worden beïnvloed door de omringende draadloze communicatieomgeving.
- Als uw internetprovider het MAC-adres van uw pc of modem voor identificatie heeft geregistreerd, kan de Samsung Smart-koelkast misschien geen verbinding maken met internet. Neem in dat geval contact op met uw internetprovider voor technische assistentie.
- De firewallinstellingen van het netwerksysteem kunnen voorkomen dat de Samsung Smart-koelkast verbinding met internet maakt. Neem contact op met uw internetprovider voor technische assistentie. Als dit probleem aanhoudt, neemt u contact op met een lokaal servicecentrum van Samsung of de winkelier.
- Als u de instellingen van het draadloze toegangspunt (AP) wilt configureren, raadpleegt u de gebruikershandleiding van het toegangspunt (router).
- Samsung Smart-koelkasten ondersteunen het wifi-protocol voor 2,4 GHz met IEEE 802.11 b/g/n en Soft-AP-protocollen. (IEEE 802.11 n wordt aanbevolen.)
- Niet-geautoriseerde draadloze wifi-routers kunnen misschien geen verbinding maken met bepaalde Samsung Smart-koelkasten.

Samsung-account

Als u de app wilt gebruiken, moet u uw Samsung-account registreren. Als u geen Samsung-account hebt, volgt u de scherm instructies van de app om een gratis Samsung-account aan te maken.

Aan de slag

Schakel het apparaat in waarmee u verbinding wilt maken, open de SmartThings-app op uw telefoon en volg daarna onderstaande instructies.

Als er een melding verschijnt dat er een nieuw apparaat is gevonden, tikt u op **ADD NOW (NU TOEVOEGEN)**.

Als er geen melding verschijnt, tikt u op de knop **+** en selecteert u het apparaat waarmee u verbinding wilt maken in de lijst met beschikbare apparaten.

Als uw apparaat niet in de lijst met beschikbare apparaten staat, tikt u op **Supported Devices (Ondersteunde apparaten)**, selecteert u het type apparaat (Koelkast) en vervolgens het specifieke model.

Volg de aanwijzingen in de app om het apparaat in te stellen. Zodra de installatie voltooid is, verschijnt uw koelkast als een 'kaart' op het scherm **Devices (Apparaten)**.

Koelkast-app

Geïntegreerde besturing

U kunt de koelkast thuis en onderweg controleren en bedienen.

- Tik op het koelkastpictogram op het SmartThings-dashboard of tik op het pictogram Devices (Apparaten) onder op het dashboard en tik vervolgens op de 'koelkastkaart' om de pagina Koelkast te openen.
- Hier kunt u de bedrijfsstatus of meldingen voor uw koelkast controleren, en indien nodig opties of instellingen wijzigen.

OPMERKING

Bepaalde opties of instellingen van de koelkast zijn wellicht niet op afstand te bedienen.

Onderhoud

Reinigen

Binnenkant en buitenkant

⚠ WAARSCHUWING

- Gebruik geen wasbenzine, thinner, huis-/autoreinigingsmiddelen of Clorox™ om de koelkast schoon te maken. Deze kunnen het oppervlak van de koelkast beschadigen en brand veroorzaken.
- Spuit geen water op de koelkast. Er kunnen elektrische schokken ontstaan.

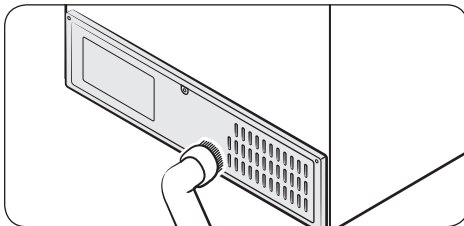
Verwijder alle vreemde stoffen als stof en water regelmatig met een droge doek uit de klemmen en contactpunten van de stekker.

1. Ontkoppel het netsnoer.
2. Gebruik een vochtige, zachte, pluisvrije doek of keukenpapier om de koelkast van binnen en buiten schoon te maken.
3. Als u klaar bent, gebruik dan een droge doek of keukenpapier om alles goed te drogen.
4. Steek het netsnoer in het stopcontact.

Rubber afdichtingen

Als de rubber afdichtingen van een deur vuil worden, kan de deur mogelijk niet goed gesloten worden, waardoor de prestaties en efficiëntie van de koelkast achteruit gaan. Gebruik een mild schoonmaakmiddel en een vochtige doek om de rubber afdichtingen schoon te maken. Vervolgens goed droog maken met een doek.

Paneel aan de achterzijde



Maak het paneel een of twee keer per jaar met een stofzuiger schoon om ervoor te zorgen dat kabels en blootliggende delen van het paneel aan de achterzijde schoon blijven.

⚠ LET OP

De kap van het paneel aan de achterzijde niet verwijderen. Er kan een elektrische schok plaatsvinden.

LED-lampjes

Neem contact op met een lokaal servicecentrum van Samsung als u de lampjes van de koelkast wilt vervangen.

⚠ WAARSCHUWING

De lampjes kunnen niet door de gebruiker worden vervangen. Probeer een lampje niet zelf te vervangen. Er kunnen elektrische schokken ontstaan.

Lamp (lichtbron)

Dit product bevat een lichtbron van energie-efficiëntieklasse <G>.

De lamp(en) en/of voorschakelapparaten mogen niet door de gebruiker worden onderhouden. Neem contact op met een lokaal servicecentrum van Samsung als u de lamp(en) en/of voorschakelapparaten van het product wilt vervangen.

Voor uitgebreide instructies over het vervangen van lampen en voorschakelapparaten bij uw product gaat u naar de Samsung-website (<http://www.samsung.com>), en naar Support > Support home, en voert u de modelnaam in.

Voor uitgebreide instructies over het verwijderen van lampen en voorschakelapparaten volgt u de bovenstaande vervangingsinstructie.

Open Source-kennisgeving

De software bij dit product bevat open source-software. U kunt tot drie jaar na de laatste verzending van dit product de volledige bijbehorende broncode verkrijgen door contact op te nemen met ons ondersteuningsteam via <http://opensource.samsung.com> (gebruik het menu Inquiry (Vraag)).

Het is ook mogelijk de volledige bijbehorende code op een fysiek medium, zoals een cd-rom, te verkrijgen. Hiervoor betaalt u een minimaal bedrag.

De volgende URL http://opensource.samsung.com/opensource/COMMON_TZ6_0/seq/0 leidt naar informatie over de open source-licentie voor dit product. Dit aanbod geldt voor iedereen die deze informatie heeft ontvangen.

Bijlage

Veiligheidsinstructie

- Voor het efficiëntste energiegebruik dient u alle onderdelen zoals bakken, laden, leggers en de ijsblokjestray op de plaats te houden waar deze door de fabrikant zijn geleverd.
- Dit koelapparaat is niet bedoeld voor gebruik als inbouwapparaat.

Installatieinstructie

Voor koelapparaten met klimaatklasse

Afhankelijk van de klimaatklasse is dit koelapparaat bedoeld voor gebruik binnen het omgevingstemperatuurbereik dat is aangegeven in onderstaande tabel.

De klimaatklasse is aangegeven op het typeplaatje. Het product werkt mogelijk niet naar behoren bij temperaturen buiten het aangegeven bereik.

U kunt de klimaatklasse vinden op het etiket aan de binnenzijde van de koelkast

Effectief temperatuurbereik

De koelkast is ontworpen voor normaal gebruik in het temperatuurbereik dat bij de classificatie vermeld staat.

Klasse	Symbool	Bereik van de omgevingstemperatuur (°C)	
		IEC 62552 (ISO 15502)	ISO 8561
Hoog temperatuurbereik	SN	+10 tot +32	+10 tot +32
Gematigd	N	+16 tot +32	+16 tot +32
Subtropisch	ST	+16 tot +38	+18 tot +38
Tropisch	T	+16 tot +43	+18 tot +43

OPMERKING

De koelprestaties en het energieverbruik van de koelkast kunnen worden beïnvloed door de omgevingstemperatuur, de regelmaat waarmee de deur wordt geopend en de locatie van de koelkast. Het wordt aanbevolen om waar nodig de temperatuurinstellingen te wijzigen.

Temperatuurinstructie

Aanbevolen temperatuur

De optimale temperatuur voor het bewaren van voedsel:

- Koelkast: 3 °C
- Vriezer: -19 °C

OPMERKING

De optimale temperatuurinstelling voor elk compartiment is afhankelijk van de omgevingstemperatuur. De hierboven vermelde optimale temperatuur is gebaseerd op een omgevingstemperatuur van 25 °C.

Snelkoelen

Met Snelkoelen wordt het koelproces op maximale ventilatorsnelheid versneld. De koelkast blijft twee en een half uur op maximale snelheid draaien en keert vervolgens terug naar de vorige temperatuur.

Snelvriezen

Met Snelvriezen wordt het vriesproces tot maximale ventilatorsnelheid versnelt. De vriezer blijft 50 uur op maximale snelheid draaien en keert vervolgens terug naar de vorige temperatuur. Als u een grote hoeveelheid voedingsmiddelen wilt invriezen, activeer Snelvriezen dan ten minste 20 uur voordat u voedsel in de vriezer plaatst.

OPMERKING

Wanneer u deze functie gebruikt, neemt het energieverbruik van de koelkast toe. Zet deze functie uit als u deze niet nodig hebt en zet de vriezer weer op de oorspronkelijke temperatuurinstelling.

De beste conservering van bewaarde etenswaren (alleen bepaalde modellen)

Dek etenswaren af om vochtverlies en het overnemen van geurtjes van andere voedingsmiddelen te beperken. Een grote pan met etenswaren als soep of stoofpot kunt u beter in kleinere porties verdelen en in ondiepe bakjes doen voordat u deze in de koelkast zet. Een groot stuk vlees of hele kip kan beter in kleinere stukken worden verdeeld of in ondiepe bakjes worden gedaan voordat u dit in de koelkast zet.

Plaatsing van etenswaren

Leggers	Leggers dienen aangepast te kunnen worden om plaats te bieden aan verschillende verpakkingen.
Speciale compartimenten (alleen bepaalde modellen)	Afgesloten groenteladen bieden een optimale bewaaromgeving voor groenten en fruit. Groenten hebben een hogere vochtigheidsgraad nodig, fruit een lagere. Groenteladen zijn uitgerust met een bediening om de luchtvochtigheid te regelen. (*Afhankelijk van model en opties) In een vleeslade met aanpasbare temperatuur kunnen vlees en kaas het langst worden bewaard.
In de deur bewaard	Bewaar bederfelijk voedsel niet in de deur. Eieren kunt u het beste in hun doos op een legger bewaren. De temperatuur van de opbergvakken in de deur wisselt sterker dan de temperatuur in de koelkast zelf. Houd de deur zoveel mogelijk gesloten.
Vriesvak	In het vriesvak kunt u diepvriesproducten bewaren, ijsblokjes maken en vers voedsel invriezen.

OPMERKING

Vries alleen verse etenswaren in onbeschadigde staat in. Houd etenswaren die u wilt invriezen uit de buurt van etenswaren die al bevroren zijn. Bewaar etenswaren luchtdicht verpakt om te voorkomen dat het zijn smaak verliest of uitdroogt.

Bewaartabel voor koelkast en vriezer

Hoe lang een product vers blijft, hangt af van de temperatuur en blootstelling aan vocht. Omdat de houdbaarheidsdatums op de verpakking geen richtlijn zijn voor het veilig gebruik van een product, kunt u deze tabel raadplegen en de tips opvolgen.

Product		Koelkast	Vriezer
Melkproducten	Melk	1 week	1 maand
	Boter	2 weken	12 maanden
	Roomkaas	2 weken	Niet aangeraden
Vlees	Verse rollades, biefstukken en koteletten	3-4 dagen	2-3 maanden
	Verse worst van varken, rund of kalkoen	1-2 dagen	1-2 maanden
Gevogelte/eieren	Vers gevogelte	2 dagen	6-8 maanden
	Vers eieren (in de schaal)	2-4 weken	Niet aangeraden
Vis/zeevruchten	Vers vis	1-2 dagen	3-6 maanden
	Gedroogde of ingemaakte vis	3-4 weken	-
Fruit	Appels	1 maand	-
	Ander vers fruit	3-5 dagen	9-12 maanden
Groenten	Asperges	2-3 dagen	-
	Broccoli, spruitjes, doperwt en champignons	3-5 dagen	-
	Kool, bloemkool, bleekselderij, komkommers en sla	1 week	-
	Wortels, bietjes en radijsjes	2 weken	-

Informatie over het model en het bestellen van reserveonderdelen

Modelinformatie

Scan de QR-code op het energielabel om meer energielabel-informatie voor dit product te raadplegen in het Europees productregister voor energie-etikettering (EPREL).

U vindt de QR-code op het energielabel in uw productverpakking.

Onderdeelinformatie

- De minimumperiode dat reserveonderdelen, die noodzakelijk zijn voor reparatie van het apparaat, beschikbaar zijn
 - 7 jaar thermostaten, temperatuursensoren, printplaten en lichtbronnen, deurgrepen, deurscharnieren, trays, manden (dozen of laden)
 - 10 jaar deurafdichtingen
- De minimale garantieperiode voor het koelapparaat die wordt geboden door de fabrikant 24 maanden.
- Relevante informatie voor het bestellen van reserveonderdelen, rechtstreeks of via andere door de fabrikant, importeur of erkende vertegenwoordiger geboden kanalen
- U kunt professionele reparatie-informatie vinden op <http://samsung.com/support>.
U kunt de onderhoudshandleiding voor gebruikers vinden op <http://samsung.com/support>.

OPMERKING

Hierbij verklaart Samsung dat deze radioapparatuur voldoet aan de richtlijn 2014/53/EU en met de relevante wettelijke vereisten in het VK.

De volledige tekst van de EU-conformiteitsverklaring en de VK-conformiteitsverklaring is beschikbaar op het volgende internetadres: De officiële conformiteitsverklaring vindt u op <http://www.samsung.com>. Ga hiervoor naar Support > Zoeken en geef de modelnaam op.

	Frequentiebereik	Zendvermogen (maximaal)
Wi-Fi	2412 - 2472 MHz	20 dBm
Bluetooth	2402 - 2480 MHz	20 dBm

WERELDWIJD contact opnemen met SAMSUNG

Als u vragen of opmerkingen hebt over de producten van Samsung, kunt u contact opnemen met de klantenservice van SAMSUNG.

Land	Contactcentrum	Website
FRANCE	01 48 63 00 00	www.samsung.com/fr/support
GERMANY	06196 77 555 77	www.samsung.com/de/support
LUXEMBURG	261 03 710	www.samsung.com/be_fr/support
NETHERLANDS	088 90 90 100	www.samsung.com/nl/support
BELGIUM	02-201-24-18	www.samsung.com/be/support (Dutch) www.samsung.com/be_fr/support (French)
NORWAY	21629099	www.samsung.com/no/support
DENMARK	707 019 70	www.samsung.com/dk/support
FINLAND	030-6227 515	www.samsung.com/fi/support
SWEDEN	0771-400 300	www.samsung.com/se/support
CYPRUS	8009 4000 only from landline, toll free	www.samsung.com/gr/support
GREECE	80111-SAMSUNG (80111 726 7864) only from land line (+30) 210 6897691 from mobile and land line	
ITALIA	800-SAMSUNG (800.7267864)	www.samsung.com/it/support
PORTUGAL	210 608 098 Chamada para a rede fixa nacional Dias úteis das 9h às 20h	www.samsung.com/pt/support
SPAIN	91175 0015	www.samsung.com/es/support



DA68-04780Q-00

Kylskåp

Enkel användarhandbok

Fristående apparat

- För att spara värdefulla resurser minskar vi antalet pappershandböcker och tillhandahåller elektroniska användarhandböcker som du kan läsa på din smartphone eller på en webbplats.
- För instruktioner om hur du använder produkten, se användarhandböckerna som tillhandahålls som QR-kod eller Samsung Electronics webbplats (<http://www.samsung.com/sec/>).
- Du hittar mer information om följande saker om du besöker Samsungs webbplats (<http://www.samsung.com>), går till avsnittet Support och söker på ditt modellnamn.
 - Hur man minimerar energiförbrukningen, ytterligare tips för korrekt användning, drift, underhåll, kylskåpstyp, specifikationer (mått).

Visa användarhandböckerna

1. Starta en QR-kodläsareapp och skanna sedan QR-bilden som bifogats produkten.
2. Välj en meny bland produktregistreringen, visa handböckerna eller anslut en tjänst. När du väljer en handbok kan du visa handboken för din köpta produkt.

SAMSUNG

Innehåll

Säkerhetsinformation	3	Underhåll	16
Viktiga försiktighetsanvisningar gällande säkerhet	4	Dammsugning	16
Instruktioner om WEEE	8		
Säkerhetsguide	8	Bilaga	17
Installation	10	Säkerhetsanvisningar	17
En överblick över kylskåpet	10	Installeringsanvisningar	17
Spel	11	Temperaturanvisningar	17
Stegvis installation	12	Information om modellen och hur du beställer reservdelar	19
Drift	13		
Huvudpanel	13		
SmartThings	14		

Säkerhetsinformation

- R-600a eller R-134a används som kylmedel. Kontrollera märkningen på kompressorn på baksidan av apparaten eller typskylten i kylskåpet för att se vilket kylmedel som används i apparaten. Om produkten innehåller antändbar gas (kylmedel R-600a) ska du kontakta din lokala myndighet för säker kassering av produkten.
- För att undvika att brandfarliga blandningar av gas-luft uppstår vid en läcka i kylslangan ska apparaten placeras i ett rum som är tillräckligt stort för den mängd kylmedel som används i apparaten.
- Använd aldrig en apparat som visar tecken på skada. Kontakta din återförsäljare om du är osäker. Rummet måste ha en volym på minst 1 m³ per 8 g R-600a-kylmedel i apparaten.
- Följ följande instruktioner för att undvika att kontaminera livsmedel:
 - Att öppna dörren under längre perioder kan höja temperaturen i apparatens fack signifikant.
 - Rengör med jämna mellanrum ytor som kan komma i kontakt med livsmedel och tillgängliga dräneringssystem.
 - Rengör vattenbehållare som inte har använts under 48 timmar; spola vattensystemet som är anslutet till vattenförsörjningen om inget vatten har tagits under 5 dagar.
 - Förvara rått kött och rå fisk i lämpliga behållare i kylskåpet, så att de inte är i kontakt med eller droppar på andra livsmedel.

- Frysack för livsmedel med två stjärnor är lämpliga för att förvara förfryst mat, förvara eller göra glass och för att göra iskuber.
- En-, två- och trestjärniga fack är inte lämpliga för att frysa färsk livsmedel.
- Om kylskåpet lämnas tomt under längre perioder ska det slås av, avfrostas, rengöras och torkas, och dörren ska lämnas öppen för att förhindra att mögel uppstår inuti apparaten.
- Fyll endast med dricksvatten.
- Anslut endast till dricksvatten.
- Håll ventilationsöppningar i apparatens hölje eller den inbyggda strukturen fri från hinder.
- Använd inte mekaniska apparater eller andra sätt att skynda på upptiningsprocessen, förutom dem som rekommenderas av tillverkaren.
- Skada inte kylslingen.
- Använd inte elektriska apparater i apparatens frysack såvida denna typ inte rekommenderats av tillverkaren.
- Den här apparaten är inte avsedd att användas av några personer (inklusive barn) med nedsatt fysisk, känslomässig eller mental förmåga, eller av de som saknar erfarenhet och kunskap, förutom om personen eller personerna har övervakats och instruerats angående hur apparaten används av en person som ansvarar för deras säkerhet.

Viktiga försiktighetsanvisningar gällande säkerhet



Varning: Risk för brand/brandfarliga material

WARNING

- Se till att nätsladden inte fastnar eller skadas när du positionerar apparaten.
- Placera inte flera förlängningssladdar eller bärbara nättaggregat på baksidan av kylskåpet.

- Den här apparaten kan användas av barn från 8 år och uppåt och personer med nedsatt fysisk, känslomässig eller mental förmåga eller avsaknad av den erfarenhet och kunskap som krävs om de får övervakning eller instruktioner gällande användning av apparaten på ett säkert sätt och förstår de faror som finns med den. Barn får inte leka med apparaten. Rengöring och användarunderhåll får inte utföras av barn utan övervakning. Barn från 3 till 8 år får fylla och tömma kylskåp.
- Om strömledaren skadas måste den bytas av tillverkaren eller dess serviceombud eller en liknande behörig person för att undvika skada.
- Väggtaget måste vara lättåtkomligt så att apparaten i en nödsituation snabbt kan kopplas ifrån strömförsörjningen.
 - Den får inte vara placerad bakom enheten.
- Förvara inte explosiva ämnen som aerosolburkar med brandfarlig drivgas i denna apparat.
- Om produkten är utrustad med LED-lampor ska du inte demontera lamphöljena och LED-lamporna på egen hand.
 - Kontakta ett Samsung-servicecenter.
 - Använd endast LED-lampor från tillverkaren eller dess servicerepresentanter.
- Nya slangar som levereras med apparaten ska användas och gamla slangar får inte återanvändas.
- Anslut kylskåpets vattenförsörjning endast till en källa med dricksvatten. För att ismaskinen ska fungera felfritt krävs ett vattentryck på 206–861 kPa (30–125 psi).
- För effektivast energianvändning ska du låta alla inre tillbehör såsom korgar, lådor och hyllor vara kvar på samma plats som de levererades på.

- För att få optimal energiekonomi för den här produkten ska du låta alla hyllor, lådor och korgar vara kvar i originalposition.

Denna apparat är avsedd för användning i hushåll och liknande användningsområden som:

- personalkök i butiker, kontor eller andra arbetsomgivningar
- på bondgårdar och för gäster på hotell, motell och andra bostadsomgivningar
- i bed-and-breakfast-liknande omgivningar
- catering och liknande ej kommersiella användningsområden.

VARNING

- Den här apparaten innehåller en liten mängd kylmedel isobutan (R-600a) – en miljövänlig naturgas som dock även är brännbar. Under transport och installation av apparaten ska åtgärder vidtas för att garantera att inga delar av kylslingan skadas.
- Förvara inte flyktiga eller lättantändliga föremål eller ämnen (bensen, thinner, propangas, alkohol, eter, LP-gas och andra liknande produkter) i kylskåpet.
 - Det här kylskåpet är endast för att förvara livsmedel.
 - Detta kan resultera i brand eller explosion.
- Fyll bara på vattenbehållaren, isfacket och vattenkuber med dricksvatten (mineralvatten eller renat vatten).
 - Fyll inte på behållaren med te, juice eller sportdryck, eftersom detta kan skada kylskåpet.

- R-600a eller R-134a används som kylmedel. Kontrollera märkningen på kompressorn på baksidan av apparaten eller typskylten i kylskåpet för att se vilket kylmedel som används i kylskåpet. Om kylskåpet innehåller antändbar gas (kylmedel R-600a) ska du kontakta din lokala myndighet för säker kassering av produkten.
- När du kasserar det här kylskåpet ska du ta bort dörren/dörrtätningen och dörrlåset så att små barn eller djur inte kan fastna i det. Barn ska övervakas av en vuxen så att de inte leker med apparaten. Om barn fastnar inuti kan de skadas och kvävas till döds.
 - Om barn fastnar inuti apparaten kan de skadas och kvävas till döds.
- Cyklopentan används i isoleringen. Gaserna i isoleringsmaterialet kräver en speciell avfallshantering. Kontakta din lokala myndighet för miljöanpassad säker återvinning av produkten.
- Temperaturen i den tvåstjärniga sektionen (sektionerna) eller facket (facken) som har en symbol med två stjärnor (✱✱) är lite högre än i de andra frysfacken. De sektioner eller fack som är tvåstjärniga anges i instruktionerna och/eller leveransvillkoren.

Instruktioner om WEEE



Korrekt avfallshantering av produkten (elektriska och elektroniska produkter)

(Gäller i länder med separata insamlingssystem)

Denna symbol på produkten, tillbehören och i manualen anger att produkten och de elektroniska tillbehören (t.ex. laddare, headset, USB-kabel) inte bör sorteras tillsammans med annat hushållsavfall när de kasseras. Dessa föremål bör hanteras separat för ändamålsenlig återvinning av beståndsdelarna för att förhindra fara för hälsa och miljö.

Hushållsanvändare bör kontakta återförsäljaren som sålt produkten eller kommunen för vidare information om var och hur produkten och tillbehören kan återvinnas på ett miljösäkert sätt.

Företagsanvändare bör kontakta leverantören samt verifiera angivna villkor i köpekontraktet. Produkten och de elektroniska tillbehören bör inte hanteras tillsammans med annat kommersiellt avfall.

Information om Samsungs miljöinsatser och regleringskrav för produkter, t. ex. REACH, WEEE och batterier finns på vår hållbarhetssida som du når via www.samsung.com

(Endast för produkter som säljs i europeiska länder och Storbritannien)

Säkerhetsguide

LÄS ALLA INSTRUKTIONER FÖRE ANVÄNDNING

Följande säkerhetsriktlinjer är avsedda att förhindra oförutsedda risker eller skador på grund av osäker eller felaktig användning av apparaten.

Riktlinjerna är uppdelade i "VARNING" och "VAR FÖRSIKTIG" enligt beskrivningen nedan.

Säkerhetsmeddelanden

Den här symbolen visas för att indikera saker och åtgärder som kan utgöra risker. Läs delen med den här symbolen noggrant och följ instruktionerna för att undvika risker.

⚠ VARNING

Det här innebär att underlåtenhet att följa instruktionerna kan leda till allvarliga personskador eller dödsfall.

⚠ VAR FÖRSIKTIG

Det här innebär att underlåtenhet att följa instruktionerna kan leda till mindre personskador eller skador på produkten.

⚠ VARNING

För att minska risken för explosion, brand, dödsfall, elektriska stötar, personskador och skällning vid användning av den här produkten ska du följa de grundläggande försiktighetsåtgärderna, inklusive följande:

Installation

- Den här apparaten får endast transporteras av två eller fler personer som håller i apparaten ordentligt.
- Installera apparaten på ett fast och jämnt golv.
- Installera inte apparaten på en fuktig och dammig plats. Installera eller förvara inte apparaten utomhus eller i områden som utsätts för väder och vind, t.ex. direkt solljus, vind, regn eller temperaturer under fryspunkten.
- Placera inte apparaten i direkt solljus och utsätt den inte för värme från värmeapparater som spisar eller element.
- Var noga med att inte exponera apparatens baksida när du installerar den.
- Installera apparaten på en plats där det är lätt att dra ut stickkontakten.
- Var försiktig så att inte apparatens dörr faller ned vid montering eller demontering.

- Var försiktig så att du inte klämmer, krossar eller skadar nätsladden vid montering eller demontering av apparatens dörr.
- Var noga med att inte rikta nätkontakten uppåt eller luta apparaten mot nätkontakten.
- Anslut inte en adapter eller andra tillbehör till nätkontakten.
- Nätkabeln får inte modifieras eller förlängas.
- Se till att uttaget är ordentligt jordat och att jordstiftet på nätsladden inte är skadat eller borttaget från nätkontakten. Fråga efter mer information om jordning på Samsung Electronics servicecenter.
- Den här apparaten är utrustad med en nätsladd som har en jordad ledare och en jordad nätkontakt. Nätkontakten måste anslutas till ett lämpligt eluttag som är installerat och jordat i enlighet med alla lokala föreskrifter och förordningar.
- Använd aldrig en apparat som visar tecken på skada. Kontakta din återförsäljare om du är osäker.
- Anslut inte apparaten till en adapter för flera uttag som inte har en nätsladd (monterad).
- Apparaten ska anslutas till en egen strömledning som är separat säkrad.
- Använd inte ett uttag med flera kontakter som inte är korrekt jordat (bärbart). Om du använder ett korrekt jordat uttag med flera kontakter (bärbart) ska du använda uttaget med flera kontakter med nätsladdens strömkapacitet eller högre och använda uttaget för flera kontakter endast för apparaten.
- Kassera allt förpackningsmaterial (t.ex. plastpåsar och polystyren) utom räckhåll för barn. Förpackningsmaterialet kan orsaka kvävning.

Drift

- Var försiktig med barn i närheten när du öppnar eller stänger apparatens dörr då dörren kan stöta till barnet och orsaka skada.
- Undvik risken att barn fastnar i apparaten. Ett barn som fastnar i apparaten kan kvävas.

VAR FÖRSIKTIG

För att minska risken för mindre personskador, felfunktion eller skador på produkten eller egendom vid användning av den här produkten ska du följa grundläggande försiktighetsåtgärder, inklusive följande:

Drift

- Vidrör inte frysta livsmedel eller metalldelarna i fryssboxen med våta eller fuktiga händer. Det kan orsaka köldskador.
- Placera inte glasbehållare, flaskor eller burkar (särskilt inte sådana som innehåller kolsyrade drycker) i frysfacket, på hyllorna eller i isbehållaren om de utsätts för temperaturer under fryspunkten,
- Det härdade glaset på framsidan på apparatens dörr eller hyllorna kan skadas av stötar. Om det är trasigt ska du inte vidröra det med händerna.
- Häng inte i apparatens dörrar, lagringsutrymme eller hylla och klättra inte upp i dem.
- Förvara inte alltför många vattenflaskor eller behållare i dörrkorgarna.
- Öppna och stäng inte apparatens dörr med överdriven kraft.
- Sluta använda apparaten om gångjärnet på apparatens dörr skadas eller inte fungerar som det ska och kontakta en auktoriserad serviceverkstad.
- Förhindra att djur tuggar på nätsladden och vattenslangen.
- Ät aldrig frysta livsmedel direkt efter att de har tagits ut ur frysfacket.
- Se till att ingen hand eller fot fastnar när du öppnar och stänger apparatens dörr eller dörr i dörr.

Underhåll

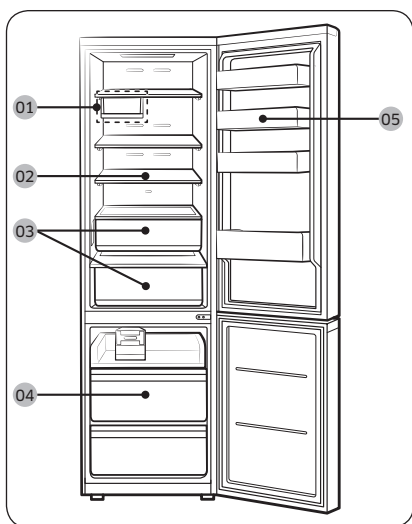
- Rengör inte glasytorna eller höljena med varmt vatten när de är kalla. De kan splittras om de utsätts för plötsliga temperaturförändringar.
- Hyllorna får inte sättas in upp och ned. Hyllorna kan falla ned.
- Kontakta Samsung Electronics servicecenter för att avlägsna frost från apparaten.
- Ta hand om isen i isbehållaren i frysfacket vid ett längre strömavbrott.

Installation

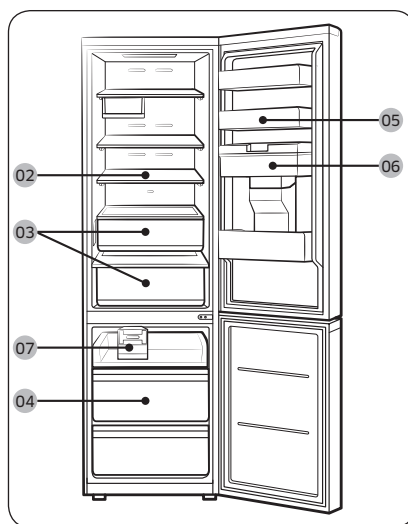
En överblick över kylskåpet

Det faktiska kylskåpet och medföljande delar till kylskåpet kan skilja sig från bilderna i den här bruksanvisningen, beroende på modellen och landet.

Normal typ



Dispensertyp



01 Multifack *

02 Kylhylla/infällbar hylla *

03 Grönsakslåda *

04 Fryslåda

05 Fack i kylskåpsdörren

06 Vattenbehållare **

07 Iskubsfack med vred *

* Endast på tillämpliga modeller

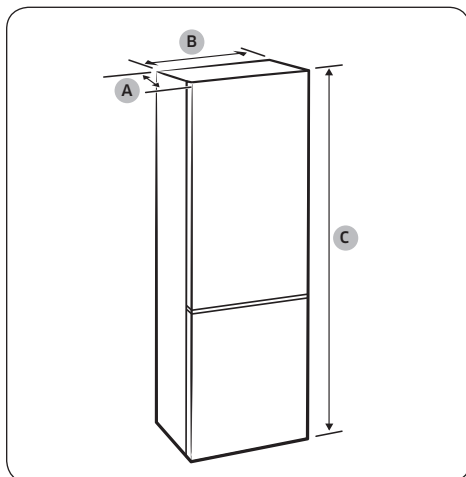
** Endast för modeller med dispenser

OBS!

- För bästa energieffektivitet ska du se till att alla hyllor, lådor och korgar är placerade på sina originalplatser.
- För att få mer utrymme kan du ta bort alla lådor och placera fryshyllan (endast på tillämpliga modeller) längst ned i frysen, eftersom detta inte påverkar de termiska och mekaniska egenskaperna. Deklarerad förvaringsvolym av fryst mat beräknas med de här lådorna borttagna.

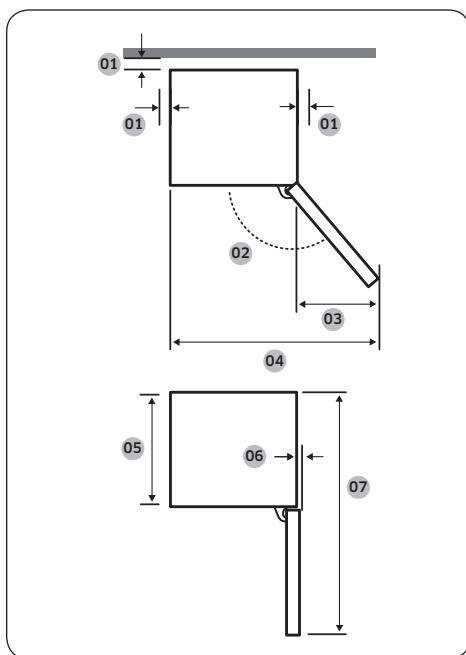
Spel

Se följande figurer och tabeller för krav på installationsutrymme.



Modell	RB45**	RB50**	RB53**
Djup "A"	711		
Bredd "B"	759		
Total höjd "C"	1780	1920	2030

(enhet: mm)



01	mer än 50 mm rekommenderas
02	Kylskåp: 115°, Frys: 120°
03	551
04	1151
05	626
06	32
07	1406

(enhet: mm)

OBS!

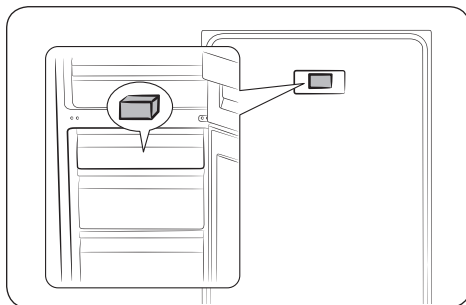
Måtten i tabellen ovan kan skilja sig något från de faktiska måtten beroende på mät- och avrundningsmetoden.

Stegvis installation

STEG 1 Utrymme (endast på tillämpliga modeller)

ⓘ OBS!

Antalet brickor varierar beroende på modell. Fäst alla brickorna.



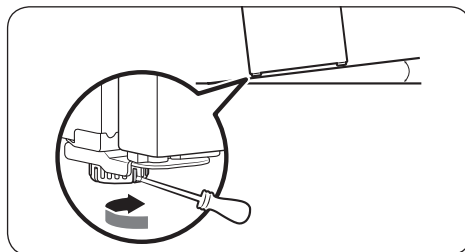
1. Öppna dörren och leta upp den medföljande brickan (grå).
2. Packa upp brickan och sätt fast den på kylskåpets baksida så som visas på bilden. De hjälper till att ventilera luften till den bakre väggen och minskar energiförbrukningen.

STEG 2 Ställa in nivåbenen

⚠ VAR FÖRSIKTIG

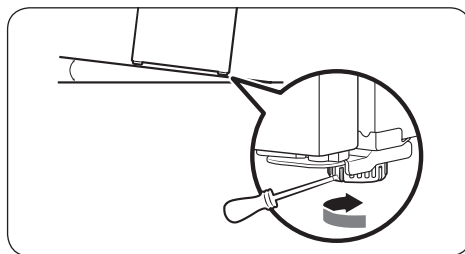
- Kylskåpet måste stå plant på ett jämt, fast golv. Om det inte gör det kan det orsaka skada på kylskåpet eller personskada.
- Nivåinställningen måste utföras med kylskåpet tomt. Se till att det inte finns några livsmedel kvar i kylskåpet.
- För säkerhets skull ska du ställa in framsidan lite högre än baksidan.

Kylskåpet kan ställas rakt med hjälp av de främre benen som har en särskild skruv (nivåskruv) för detta ändamål. Använd en spårmejsel för att ställa in dem.



Så här ställer du in höjden på vänster sida:

För in en spårmejsel i nivåskruven på det främre vänstra benet. Vrid nivåskruven medurs för att höja och moturs för att sänka.

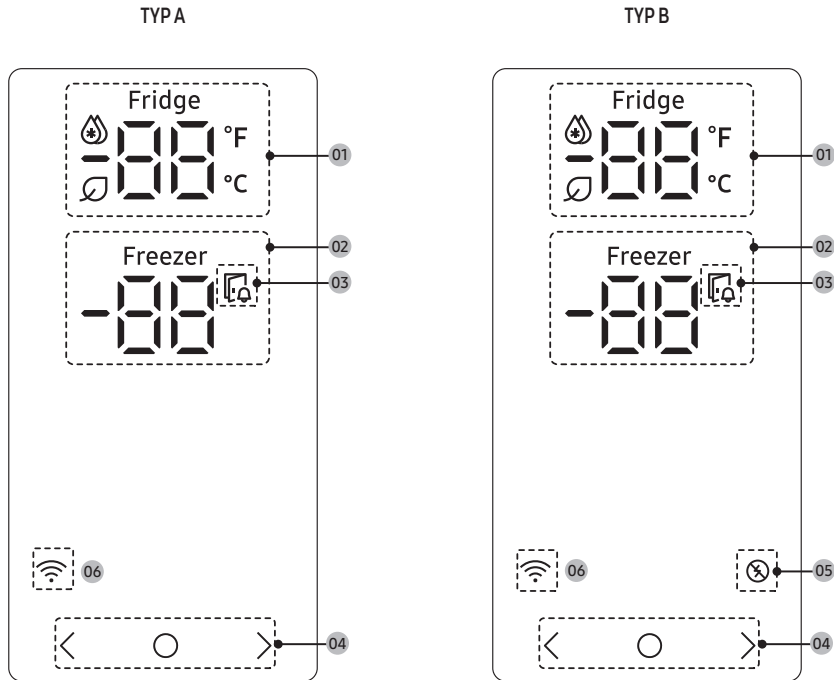


Så här ställer du in höjden på höger sida:

För in en spårmejsel i nivåskruven på det främre högra benet. Vrid nivåskruven medurs för att höja och moturs för att sänka.

Drift

Huvudpanel



01 Kylindikator	<ul style="list-style-type: none">• Visar aktuell eller önskad temperatur i kylskåpet.• indikerar att funktionen Högeffektskyl är aktiverad.• Ikonen visar om du aktiverar AI Energy Mode i SmartThings-appen. (Endast på tillämpliga modeller)
02 Frysindikator	<ul style="list-style-type: none">• Visar aktuell eller önskad temperatur i frysen.• indikerar att funktionen Högeffektsfrys är aktiverad.
03 Indikator för öppen dörr	Denna indikator blinkar och ett larm avges om dörren lämnas öppen i mer än 2 minuter.
04 Knappar	<ul style="list-style-type: none">• När displayen är släckt kan du trycka på valfri knapp för att aktivera den.• Använd för att välja kylskåpet eller frysen och eller för att välja önskad temperatur eller funktion för det valda facket.

05 Indikator för hög efterfrågan *	<ul style="list-style-type: none"> • Visar status för funktionen Hög efterfrågan. • Mer information om funktionen Hög efterfrågan finns i användarhandboken och på Samsungs webbplats.
06 Nätverksanslutningsindikator	<ul style="list-style-type: none"> • Den här ikonen indikerar att kylskåpet är anslutet till ett nätverk. Om Wi-Fi-ikonen blinkar rekommenderar vi att du ansluter kylskåpet med SmartThings-appen. Du kan kontrollera och övervaka ditt kylskåp i SmartThings-appen. Mer information finns i avsnittet SmartThings.

OBS!

Om dörren lämnas öppen i fem minuter kommer lamporna inuti att blinka i fem minuter och sedan slockna. Detta görs för att avisera personer med nedsatt hörsel att en dörr är öppen. Observera att den här funktionen är normal.

SmartThings

Installation

Gå till Google Play Butik, Galaxy Apps eller Apple App Store och sök efter "SmartThings". Hämta och installera appen SmartThings från Samsung Electronics på din smarta enhet.

OBS!

- Den programversion av SmartThings-appen som stöds kan ändras i enlighet med den OS-supportpolicy som tillverkaren tillhandahåller. Precis som för SmartThings-appen eller de funktioner som appen har stöd för kan den nya policyn för programuppdatering på den befintliga OS-versionen hävas på grund av användbarhets- eller säkerhetsskäl.
- SmartThings-appen kan ändras utan förvarning för att förbättra användbarheten och prestandan. Eftersom mobiltelefonens OS-version uppdateras varje år uppdateras även SmartThings kontinuerligt enligt den senaste OS-versionen. Om du har frågor gällande de punkter som nämns ovan kan du kontakta oss på st.service@samsung.com
- Rekommenderade krypteringssystem inkluderar WPA/TKIP och WPA2/AES. Nyare eller icke-standardiserade Wi-Fi-autentiseringsprotokoll stöds inte.
- Trådlösa nätverk kan påverkas av omgivningens trådlösa kommunikationsmiljö.
- Om internetleverantören har registrerat datorns MAC-adress eller modem för identifiering, kan ditt smarta kylskåp från Samsung misslyckas med att ansluta till internet. Om detta händer ska du kontakta internetleverantören för att få hjälp.
- Brandväggsinställningarna på ditt nätverkssystem kan förhindra att ditt smarta Samsung-kylskåp kommer åt internet. Kontakta internetleverantören för att få teknisk hjälp. Om det här symptomet fortsätter ska du kontakta lokalt Samsung-servicecenter eller en återförsäljare.
- Om du vill konfigurera inställningarna för den trådlösa åtkomstpunkten (AP) ska du läsa användarhandboken för AP (router).
- Smarta kylskåp från Samsung stöder både Wi-Fi 2,4 GHz med IEEE 802.11 b/g/n och protokoll för mjuk åtkomstpunkt. (IEEE 802.11 n rekommenderas.)
- Obehöriga trådlösa Wi-Fi-routrar kan misslyckas med att ansluta till tillämpliga smarta kylskåp från Samsung.

Samsung-konto

Du måste registrera ditt Samsung-konto för att kunna använda appen. Om du inte har ett Samsung-konto ska du följa instruktionerna på skärmen för appen för att skapa ett Samsung-konto gratis.

Komma i gång

Slå på den enhet du vill ansluta, öppna appen SmartThings på telefonen och följ sedan anvisningarna nedan.

Om ett popup-meddelande där det står att en ny enhet har hittats visas trycker du på **ADD NOW (LÄGG TILL NU)**.

Om ett popup-meddelande inte visas trycker du på knappen **+** och väljer sedan den enhet du vill ansluta i listan över tillgängliga enheter.

Om enheten inte finns med i listan över tillgängliga enheter trycker du på **Supported Devices (Enheter som stöds)**, väljer enhetstyp (kylskåp) och väljer sedan specifik enhetsmodell.

Följ anvisningarna i appen för att konfigurera enheten. När konfigurationen är klar visas ditt kylskåp som ett "kort" på skärmen **Devices (Enheter)**.

Kylskåpsappen

Integrerad kontroll

Du kan övervaka och styra ditt kylskåp när du är hemma och i farten.

- Tryck på kylskåpsikonen på SmartThings-instrumentpanelen eller tryck på ikonen Enheter längst ned på kontrollpanelen och tryck sedan på kylskåpets "kort" för att öppna kylskåpssidan.
- Kontrollera driftstatus eller meddelanden relaterade till kylskåpet och ändra sedan alternativ eller inställningar om det behövs.

OBS!

Vissa alternativ eller inställningar i kylskåpet kanske inte är tillgängliga för fjärrstyrning.

Underhåll

Dammsugning

Insidan och utsidan

VARNING

- Använd inte bensen, thinner, hem-/ bilrengöringsmedel eller Clorox™ för att rengöra kylskåpet. De kan skada ytan på kylskåpet och orsaka en brand.
- Spreja inte vatten på kylskåpet. Det kan orsaka elstötår.

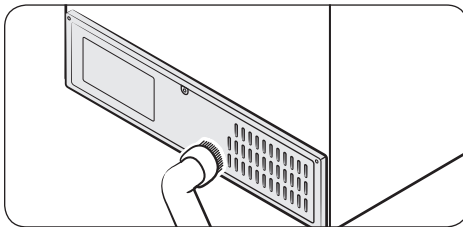
Använd en torr trasa med jämna mellanrum för att torka bort alla främmande föremål som damm eller vatten från kontaktens terminal och kontaktpunkterna.

1. Koppla bort strömsladden.
2. Använd en fuktad, mjuk, luddfri trasa eller pappershandduk för att rengöra kylskåpets insida och utsida.
3. När det är klart använder du en torr duk eller pappershandduk för att torka ordentligt.
4. Koppla in strömsladden.

Gummitätningar

Om gummitätningarna på en dörr blir smutsiga kan dörren inte stängas ordentligt och minska kylskåpets prestanda och effektivitet. Använd ett mildt rengöringsmedel och fuktig trasa för att rengöra gummitätningarna. Torka sedan noga med en trasa.

Bakre panel



För att hålla sladdar och utsatta delar på baksidan fria från smuts ska du dammsuga panelen en eller två gånger per år.

VAR FÖRSIKTIG

Ta inte bort det bakre panelskyddet. Elstötår kan uppstå.

LED-lampor

Om du behöver byta ut kylskåpets lampor ska du kontakta ett lokalt Samsung-servicecenter.

VARNING

Du får inte byta ut lamporna själv. Försök inte byta ut en lampa själv. Det kan orsaka elstötår.

Lampa (ljuskälla)

Produkten innehåller en ljuskälla av energieffektivitetsklass <G>.

Lamporna och/eller styrdonen kan inte servas av användaren. Om du behöver byta ut produktens lampor eller styrdon, kontakta ett lokalt Samsung-servicecenter.

För detaljerade anvisningar om byte av lampor eller styrdon i produkten, besök Samsungs webbplats (<http://www.samsung.com>), gå till Support > Support Home och ange sedan modellnamnet.

För detaljerade anvisningar om demontering av lampor och/eller styrdon, följ bara bytesanvisningen enligt beskrivningen ovan.

Meddelande om öppen källkod

Programvaran inkluderad i denna produkt innehåller programvara med öppen källkod. Du kan få hela källkoden för en period på tre år efter den senaste leveransen av denna produkt genom att kontakta vårt supportteam via <http://opensource.samsung.com> (använd menyn Inquiry).

Det är även möjligt att få motsvarande källkod på ett fysiskt medium, t.ex. en cd-rom, mot en minimal avgift.

Följande URL http://opensource.samsung.com/opensource/COMMON_TZ6_0/seq/0 leder till informationen om licensen för öppen källkod relaterad till den här produkten. Detta erbjudande gäller för alla som har tagit emot denna information.

Bilaga

Säkerhetsanvisningar

- För effektivast energianvändning ska du låta alla inre tillbehör såsom korgar, lådor, hyllor och isfack vara kvar på samma plats som de levererades på.
- Den här kylanläggningen är inte avsedd att användas som en inbyggd apparat.

Installeringsanvisningar

För kylanläggningar med klimatklass

Beroende på klimatklass är den här kylanläggningen avsett att användas inom det intervall för omgivande temperatur som anges i följande tabell.

Du hittar klimatklassen på märkplåten. Produkten fungerar eventuellt inte korrekt i temperaturer utanför det specifika intervallet.

Du hittar klimatklassen på en etikett inuti kylskåpet

Effektivt temperaturintervall

Kylskåpet är utformat för att fungera som vanligt i temperaturintervallet som anges i klassbehörigheten.

Klass	Symbol	Omgivningens temperaturintervall (°C)	
		IEC 62552 (ISO 15502)	ISO 8561
Utökad temperatur	SN	+10 till +32	+10 till +32
Tempererat	N	+16 till +32	+16 till +32
Subtropiskt	ST	+16 till +38	+18 till +38
Tropiskt	T	+16 till +43	+18 till +43

OBS!

Kylskåpets kylprestanda och energiförbrukning kan påverkas av omgivningens temperatur, hur ofta dörren öppnas och kylskåpets placering. Vi rekommenderar att temperaturinställningarna ställs in efter behov.

Temperaturanvisningar

Rekommenderad temperatur

Optimal temperatur för lagring av livsmedel:

- Kylskåp: 3 °C
- Frys: -19 °C

OBS!

Den optimala temperaturinställningen för varje fack beror på den omgivande temperaturen. Högre än optimal temperatur är baserat på en omgivande temperatur på 25 °C.

Högeffektskyl

Högeffektskylen ökar kylprocessen till högsta fläkthastighet. Kylskåpet fortsätter att fungera med högsta hastighet under två och en halv timme och går sedan tillbaka till föregående temperatur.

Högeffektsfrys

Snabb frysning ökar frysprocessen till högsta fläkthastighet. Frysaren fortsätter att fungera med högsta hastighet under 50 timmar och går sedan tillbaka till föregående temperatur. Om du behöver frysa en stor mängd livsmedel ska du aktivera Högeffektsfrys i minst 20 timmar innan du placerar livsmedlet i frysen.

OBS!

När du använder den här funktionen ökar kylskåpets energiförbrukning. Kom ihåg att stänga av den när du inte behöver den och ställa in frysen på dess originaltemperaturinställning igen.

Hur livsmedel ska lagras för att hålla sig färska länge (endast på tillämpliga modeller)

Täck över livsmedlen så att de inte torkar ut och för att förhindra att de absorberar lukt från andra livsmedel. Innehållet i en stor gryta, t.ex. soppa eller stuvning, ska fördelas i mindre portioner i låga behållare innan du ställer det i kylen. En stor bit kött eller hel fågel ska delas upp i mindre bitar eller läggas i låga behållare innan du ställer köttet i kylen.

Placering av livsmedel

Hyllor	Hyllorna ska vara justerbara, så att de kan anpassas till olika förpackningar.
Specialfack (Endast på tillämpliga modeller)	Slutna grönsakslådor utgör den perfekta förvaringsmiljön för frukt och grönsaker. Grönsaker behöver en hög fuktighetsnivå, och frukt behöver en lägre fuktighetsnivå. Grönsakslådorna har luftfuktighetskontroll, så att du kan justera fuktighetsnivån. (*Beroende på modell och tillval) En köttlåda med justerbar temperatur förlänger lagringstiden på kött och ost.
Lagring i dörrpanelen	Lagra inte färska livsmedel i dörrpanelen. Ägg ska förvaras i en kartong på en hylla. Temperaturen i facken på dörren varierar mer än temperaturen inne i kylskåpet. Håll dörren stängd så mycket som möjligt.
Frysack	I frysacket kan du förvara frysta livsmedel, frysa isbitar och frysa in färska livsmedel.

OBS!

Frysa färsk, ej skadad mat. Håll mat som ska frysas borta från mat som redan är fryst. För att undvika att mat förlorar sin smak eller torkar ut ska du placera den i lufttäta behållare.

Lagringstabell för kylskåp och frys:

Hållbarheten beror på temperaturen och exponeringen till fukt. Eftersom bäst före-datumet inte är en garanti på att produkten är säker att använda kan du följa tipsen i nedanstående tabell.

Produkt		Kylskåp	Frys
Mejeriprodukter	Mjölk	1 vecka	1 månad
	Smör	2 veckor	12 månader
	Färskost	2 veckor	Rekommenderas inte
Kött	Färsk stek, biff, kotletter	3–4 dagar	2–3 månader
	Korv, rå av fläsk, nötkött eller kalkon	1–2 dagar	1–2 månader
Fågel/ägg	Färsk fågel	2 dagar	6–8 månader
	Ägg, färska med skal	2–4 veckor	Rekommenderas inte
Fisk/skaldjur	Färsk fisk	1–2 dagar	3–6 månader
	Torkad eller inlagd fisk	3–4 veckor	-
Frukt	Äpplen	1 månad	-
	Övrig färsk frukt	3–5 dagar	9–12 månader
Grönsaker	Sparris	2–3 dagar	-
	Broccoli, brysselkål, gröna ärtor, svamp	3–5 dagar	-
	Kål, blomkål, blekselleri, gurka, sallad	1 vecka	-
	Morötter, rödbetor, rädisor	2 veckor	-

Information om modellen och hur du beställer reservdelar

Modellinformation

Du kan scanna QR-koden på energimärkningen för att få åtkomst till den här produktens energimärkningsinformation enligt European Product Registry for Energy Labelling (EPREL).

Du hittar QR-koden på energimärkningen på produktförpackningen.

Reservdelsinformation

- Den minsta perioden under vilken reservdelar, som är nödvändiga för att reparera apparaten, är tillgängliga.
 - 7 år: termostater, temperatursensorer, printed circuit boards och ljuskällor, dörrhandtag, dörrgångjärn, fack, korgar (lådor)
 - 10 år: dörrpackningar
- Den minsta garantiperioden som erbjuds av tillverkaren för kylanläggningen är 24 månader.
- Relevant information för att beställa reservdelar, direkt eller via andra kanaler som tillhandahålls av tillverkaren, importören eller auktoriserad representant
- Du hittar information om professionell reparation på <http://samsung.com/support>.
Du hittar servicehandboken på <http://samsung.com/support>.

OBS!

Härmed intygar Samsung att denna radioutrustning uppfyller direktiv 2014/53/EU och relevanta brittiska lagstadgade krav.

Den fullständiga texten till EU:s försäkran om överensstämmelse och Storbritanniens försäkran om överensstämmelse finns på följande webbadress: Den officiella försäkran om överensstämmelse hittar du på <http://www.samsung.com>.
Gå till Support > Sök produktsupport och ange modellnamn.

	Frekvensintervall	Sändareffekt (max.)
Wi-Fi	2412–2472 MHz	20 dBm
Bluetooth	2402–2480 MHz	20 dBm

Kontakta SAMSUNG WORLD WIDE

Kontakta SAMSUNGS kundtjänst om du har frågor eller kommentarer angående Samsungs produkter.

Land	Kontaktcenter	Webbplats
FRANCE	01 48 63 00 00	www.samsung.com/fr/support
GERMANY	06196 77 555 77	www.samsung.com/de/support
LUXEMBURG	261 03 710	www.samsung.com/be_fr/support
NETHERLANDS	088 90 90 100	www.samsung.com/nl/support
BELGIUM	02-201-24-18	www.samsung.com/be/support (Dutch) www.samsung.com/be_fr/support (French)
NORWAY	21629099	www.samsung.com/no/support
DENMARK	707 019 70	www.samsung.com/dk/support
FINLAND	030-6227 515	www.samsung.com/fi/support
SWEDEN	0771-400 300	www.samsung.com/se/support
CYPRUS	8009 4000 only from landline, toll free	www.samsung.com/gr/support
GREECE	80111-SAMSUNG (80111 726 7864) only from land line (+30) 210 6897691 from mobile and land line	
ITALIA	800-SAMSUNG (800.7267864)	www.samsung.com/it/support
PORTUGAL	210 608 098 Chamada para a rede fixa nacional Dias úteis das 9h às 20h	www.samsung.com/pt/support
SPAIN	91175 0015	www.samsung.com/es/support



DA68-04780Q-00

Køleskab

Enkel brugervejledning

Fritstående apparat

- For at spare værdifulde ressourcer reducerer vi antallet af papirmanualer og leverer elektroniske brugermanualer, som du kan tjekke på din smartphone eller på en hjemmeside.
- For instruktioner om, hvordan du bruger produktet, henvises til de brugervejledninger, der følger med som QR-kode, eller til Samsung Electronics' hjemmeside (<http://www.samsung.com/sec/>).
- Hvis du vil have flere oplysninger om følgende ting, kan du besøge Samsungs hjemmeside (<http://www.samsung.com>), gå til afsnittet Support og derefter søge på dit modelnavn.
 - Sådan minimeres energiforbruget, yderligere tips til korrekt brug, betjening, vedligeholdelse, køleskabstype, specifikationer (dimensioner).

Visning af brugervejledninger

1. Start en QR-kodelæser-app, og scan QR-billedet, der er knyttet til produktet.
2. Vælg en menu fra produktregistreringen, se manualerne eller tilslut en service. Når du vælger en manual, kan du se manualen til dit købte produkt.

SAMSUNG

Indhold

Sikkerhedsinformationer	3	Drift	13
Vigtige sikkerhedsforholdsregler	4	Hovedpanel	13
Instruktioner vedrørende affald fra elektrisk og elektronisk udstyr	8	SmartThings	14
Sikkerhedsvejledning	8	Vedligeholdelse	16
Installation	10	Rengøring	16
Overblik over køleskabet	10	Tillæg	17
Frihøjde	11	Sikkerhedsvejledning	17
Trin for trin-installation	12	Installationsvejledning	17
		Temperaturvejledning	17
		Oplysninger om model og bestilling af reservedele	19

Sikkerhedsinformationer

- R-600a eller R-134a anvendes som kølemiddel. Tjek kompressormærkatet på bagsiden af apparatet eller mærkatet inde i køleskabet for at se, hvilket kølemiddel anvendes i dit apparat. Hvis dette produkt indeholder brændbar gas (kølemiddel R-600a), skal du kontakte den lokale miljømyndighed for sikker bortskaffelse af dette produkt.
- For at undgå, at der dannes en brændbar blanding af gas og luft i tilfælde af en lækage i kølesystemet, afhænger størrelsen på det rum, hvor apparatet må opstilles, af mængden af anvendt kølemiddel.
- Undgå at starte et apparat, der viser tegn på beskadigelse. Kontakt din forhandler, hvis du er i tvivl. Rummet skal have en størrelse på 1 m³ for hver 8 g R-600a-kølemiddel i apparatet.
- For at undgå kontaminering af mad bør følgende instruktioner overholdes:
 - Hvis du åbner døren i længere tid, kan det medføre en betydelig temperaturstigning i apparatets rum.
 - Rengør regelmæssigt overflader, der kan komme i kontakt med mad og tilgængelige drænsystemer.
 - Rengør vandtanke, hvis de ikke har været brugt i 48 timer. Skyl vandsystemet, der er tilsluttet en vandforsyning, hvis der ikke er blevet tappet vand i 5 dage.
 - Opbevar frisk kød og fisk i egnede beholdere i køleskabet, så der ikke er kontakt med eller så det ikke drypper på andre madvarer.

- Rum med to stjerner til frossen mad er egnede til at opbevaring af forudfrosset mad, opbevaring eller fremstilling af is og fremstilling af isterninger.
 - Rum med en, to eller tre stjerner er ikke egnede til nedfrysning af frisk mad.
 - Hvis køleskabet skal stå tomt i længere perioder, skal det slukkes, afrimes, rengøres, tørres og døren skal stå åben for at forhindre udvikling af mug i apparatet.
- Placér ikke flere løse strømdåser eller strømforsyninger bag køleskabet.
 - Påfyld kun drikkevand.
 - Slut kun til drikkevandsforsyningen.
 - Hold ventilationsåbninger i apparatets inddækning eller monteringsstruktur fri for forhindringer.
 - Undgå at bruge mekaniske enheder eller andre midler til at fremme afrimning, medmindre de er anbefalet af producenten.
 - Undgå at beskadige kølesystemet.
 - Undgå at bruge elektriske apparater inde i apparatets rum til opbevaring af fødevarer, medmindre disse er anbefalet af producenten.

Vigtige sikkerhedsforholdsregler



Advarsel; risiko for brand/brandbare materialer

ADVARSEL

- Sørg for, at strømledningen ikke kommer i klemme eller bliver beskadiget under opstilling af køleskabet.

- Dette apparat må ikke anvendes af personer (herunder børn) med nedsatte fysiske, sansemæssige eller mentale færdigheder eller manglende erfaring og viden, medmindre de har fået oplæring eller instruktion vedrørende brug af apparatet af en person, der er ansvarlig for deres sikkerhed.
- Dette apparat kan anvendes af børn på mindst 8 år og af personer med fysiske, sansemæssige eller psykiske handicap eller manglende erfaring og viden, hvis de har fået vejledning eller instruktion vedrørende brug af apparatet på en sikker måde og forstår de farer, brugen indebærer. Børn må ikke lege med apparatet. Rengøring og vedligeholdelse må ikke udføres af børn uden opsyn. Børn i alderen 3 til 8 må gerne fylde og tømme køleskabe.
- Hvis strømkablet er beskadiget, skal det udskiftes af producenten, dennes servicerepræsentant eller en tilsvarende kvalificeret person for at undgå fare.
- Stikket skal være nemt at komme til, så strømmen nemt kan tages fra apparatet i en nødsituation.
 - Det skal være uden for området bag køleskabet.
- Undgå at opbevare eksplosive emner såsom aerosoler med letantændeligt drivmiddel i dette apparat.
- Hvis produktet har en LED-pære, må du ikke selv adskille lampedækslet og LED-pæren.
 - Kontakt et Samsung-servicecenter.
 - Brug kun de LED-lamper, der leveres af producenten eller dennes servicevirksomhed.
- Nye slangesæt, der følger med apparatet, skal anvendes, og de gamle slangesæt bør ikke genbruges.


- Tilslut køleskabets vandforsyning til en vandhane med drikkevand. For at ismaskinen kan fungere korrekt, kræves et vandtryk på 206-861 kPa (30-125 psi).
- For at sikre det mest effektive energiforbrug skal du lade alle de indvendige dele, som f.eks. kurve, skuffer og hylder, blive på den plads, som producenten anbefaler.
- For at få den bedste energieffektivitet ved dette produkt skal du lade alle hylder, skuffer og kurve være i deres originale placeringer.

Dette apparat er beregnet til brug i husholdninger og lignende anvendelser, som f.eks.

- personalekøkken i butikker, kontorer og andre arbejdsmiljøer
- landbygninger og til gæster på hoteller, moteller og andre private beboelsesmiljøer
- bed and breakfast-miljøer
- catering og lignende ikke-detail-anvendelser.

⚠ ADVARSEL

- Dette apparat indeholder en lille mængde isobutan-kølemiddel (R-600a), en naturgas, der er meget miljøvenlig, men også brændbar. Ved transport og installation af apparatet skal du passe på ikke at beskadige nogen dele af kølesystemet.
- Opbevar ikke flygtige eller brændbare genstande eller stoffer (benzen, fortynder, propangas, alkohol, æter, LP-gas og andre lignende produkter mv.) i køleskabet.
 - Køleskabet er kun til opbevaring af fødevarer.
 - Dette kan medføre brand eller eksplosion.
- Fyld kun drikkevand (mineralvand eller destilleret vand) i vandtanken, isbakken og isterningebakken.
 - Fyld ikke te, juice eller sportsdrik i tanken, da dette kan beskadige køleskabet.

- R-600a eller R-134a anvendes som kølemiddel. Tjek kompressormærkaten på bagsiden af apparatet eller mærkaten inde i køleskabet for at se, hvilket kølemiddel der anvendes i køleskabet. Hvis køleskabet indeholder brændbar gas (kølemiddel R-600a), skal du kontakte den lokale miljømyndighed for sikker bortskaffelse af dette produkt.
- Ved bortskaffelse af dette køleskab skal du fjerne døre/dørtætninger og dørbeslag, så små børn og dyr ikke kan blive lukket inde i det. Børn bør overvåges for at sikre, at de ikke leger med apparatet. Hvis et barn lukkes inde i apparatet, kan det komme til skade og blive kvalt.
 - Hvis børn lukkes inde i apparatet, kan de komme til skade og blive kvalt.
- Der anvendes cyclopentan i isoleringen. Gasserne i isoleringsmaterialet kræver en særlig bortskaffelsesprocedure. Kontakt dine lokale miljømyndigheder for miljømæssig sikker bortskaffelse af dette produkt.
- Temperaturen i tostjernede sektioner eller rum, der har tostjernede symboler () , er lidt højere end i andre fryserum. Placeringen af tostjernesektionen (sektionerne) eller rummet (rummene) er baseret på instruktionerne og/eller forholdene ved levering.

Instruktioner vedrørende affald fra elektrisk og elektronisk udstyr



Korrekt bortskaffelse af dette produkt (elektrisk & elektronisk udstyr)

(Gælder i lande med systemer til affaldssortering)

Denne mærkning på produktet, på tilbehør eller i manualen betyder, at produktet og elektronisk tilbehør hertil (f.eks. oplader, headset og USB-kabel) ikke må bortskaffes sammen med almindeligt husholdningsaffald efter endt levetid. For at forebygge skadelige virkninger på menneskers helbred eller miljøet skal disse genstande bortskaffes adskilt fra andre typer af affald og indleveres på en genbrugsplads med henblik på genindvinding. Forbrugere bedes kontakte forhandleren, hvor de har købt produktet, eller kommunen for nærmere oplysning om, hvor og hvordan de kan indlevere produkt og tilbehør med henblik på miljøvenlig genindvinding.

Virksomheder bedes kontakte leverandøren og følge anvisningerne i købekontrakten. Dette produkt og elektronisk tilbehør hertil må ikke bortskaffes sammen med andet erhvervsaffald.

Der findes oplysninger om Samsungs miljømæssige forpligtelser og produktspecifikke lovmæssige forpligtelser som f.eks. REACH, WEEE eller batterier, på vores side om bæredygtighed, som er tilgængelig via www.samsung.com

(Gælder kun for produkter, der sælges i europæiske lande og i Storbritannien)

Sikkerhedsvejledning

LÆS ALLE INSTRUKTIONER FØR BRUG

Følgende sikkerhedsretningslinjer har til formål at forhindre uforudsete risici eller skader som følge af usikker eller forkert betjening af apparatet.

Retningslinjerne er opdelt i "ADVARSEL" og "FORSIGTIG" som beskrevet nedenfor.

Sikkerhedsbeskeder

Dette symbol vises for at indikere forhold og handlinger, der kan medføre risiko. Læs delen med dette symbol omhyggeligt, og følg instruktionerne for at undgå risiko.

⚠ ADVARSEL

Det betyder, at hvis instruktionerne ikke følges, kan det medføre alvorlig personskade eller død.

⚠ FORSIGTIG

Det betyder, at hvis instruktionerne ikke følges, kan det medføre mindre personskader eller skader på produktet.

⚠ ADVARSEL

For at reducere risikoen for eksplosion, brand, død, elektrisk stød, personskade eller skoldning, når du bruger dette produkt, skal du følge de grundlæggende forholdsregler, herunder følgende:

Installation

- Dette apparat må kun transporteres af to eller flere personer, der holder apparatet sikkert fast.
- Installer apparatet på et fast og plant gulv.
- Apparatet må ikke installeres på et fugtigt og støvet sted. Apparatet må ikke installeres eller opbevares udendørs eller i et område, der er udsat for vejrforhold som direkte sollys, vind, regn eller temperaturer under frysepunktet.
- Apparatet må ikke placeres i direkte sollys eller udsættes for varme fra varmeapparater som f.eks. komfurer eller varmeapparater.
- Pas på ikke at blotte bagsiden af apparatet, når du installerer det.
- Installer apparatet på et sted, hvor det er nemt at tage stikket ud af stikkontakten.
- Pas på, at apparatets dør ikke falder ned under monteringen eller afmonteringen.

- Pas på ikke at klemme, knuse eller beskadige strømkablet under montering eller afmontering af apparatets dør.
- Pas på, at stikket ikke peger opad, og at apparatet ikke læner sig mod stikket.
- Tilslut ikke en stikadapter eller andet tilbehør til strømstikket.
- Strømkablet må ikke ændres eller forlænges.
- Sørg for, at stikkontakten er korrekt jordet, og at jordstikbenet på netledningen ikke er beskadiget eller fjernet fra stikket. Du kan få flere oplysninger om jordforbindelse ved at henvende dig til et Samsung Electronics-servicecenter.
- Dette apparat er udstyret med en netledning med jordforbindelse og et jordforbundet stik. Strømstikket skal sættes i en passende stikkontakt, der er installeret og jordforbundet i overensstemmelse med alle lokale regler og forordninger.
- Undgå at starte et apparat, der viser tegn på beskadigelse. Kontakt din forhandler, hvis du er i tvivl.
- Tilslut ikke apparatet til en multistikadapter, som ikke har et strømkabel (monteret).
- Apparatet skal tilsluttes en dedikeret strømledning, som er separat sikret.
- Brug ikke en multistikdåse, der ikke er korrekt jordet (bærbær). Hvis du bruger en korrekt tilsluttet stikdåse (bærbær), skal du bruge en stikdåse med strømkapacitet svarende til ledningens klassificering eller højere, og du må kun bruge stikdåsen til apparatet.
- Bortskaf alle emballagematerialer (såsom plasticposer og styroform) utilgængeligt for børn. Emballagematerialerne kan forårsage kvælning.

Betjening

- Pas på børn i nærheden, når du åbner eller lukker apparatets dør. Døren kan støde ind i barnet og forårsage skade.
- Undgå faren for, at børn bliver fanget inde i apparatet. Et barn, der er fanget inde i apparatet, kan blive kvalt.

FORSIGTIG

For at reducere risikoen for mindre personskader, funktionsfejl eller skader på produktet eller ejendom, når du bruger dette produkt, skal du følge de grundlæggende forholdsregler, herunder følgende:

Betjening

- Rør ikke ved frosne madvarer eller metaldele i fryseren med våde eller fugtige hænder. Det kan give forfrysninger.
- Anbring ikke glasbeholdere, flasker eller dåser (især dem, der indeholder kulsyreholdige drikke) i fryserummet, på hylterne eller i isbeholderen, hvis de udsættes for temperaturer under frysepunktet,
- Det hærdede glas på forsiden af applikationslågen eller selve lågen kan blive beskadiget af et slag. Hvis det er i stykker. Rør ikke ved det med hænderne.
- Hæng ikke i apparatets døre, opbevaringsrum, hylter, og undlad at kravle op i det.
- Opbevar ikke for mange vandflasker eller beholdere til tilbehør i dørkurvene.
- Åbn eller luk ikke apparatets dør med overdreven kraft.
- Hvis hængslet på apparatets dør er beskadiget eller ikke fungerer korrekt, skal du holde op med at bruge apparatet og kontakte et autoriseret servicecenter.
- Forhindr dyr i at gnave i strømkablet eller vandslangen.
- Spis aldrig frosne fødevarer umiddelbart efter, at de er taget ud af fryserummet.
- Sørg for ikke at få en hånd eller fod i klemme, når du åbner eller lukker apparatets dør eller døren i døren.

Vedligeholdelse

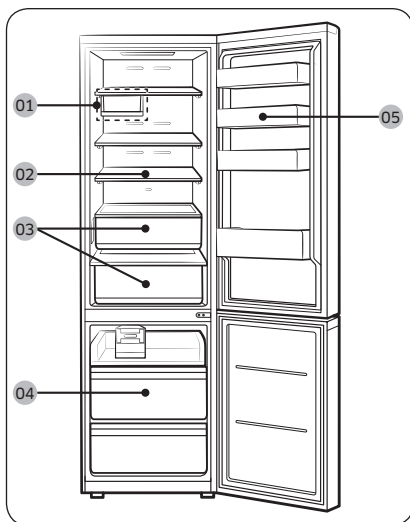
- Rengør ikke glashylter eller låger med varmt vand, når de er kolde. De kan gå i stykker, hvis de udsættes for pludselige temperaturændringer.
- Indsæt ikke hylterne, så de vender på hovedet. Hylterne kan falde ned.
- For at fjerne frost fra apparatet skal du kontakte et Samsung Electronics-servicecenter.
- Bortskaf isen i isbeholderen i fryserummet under en længere strømafbrydelse.

Installation

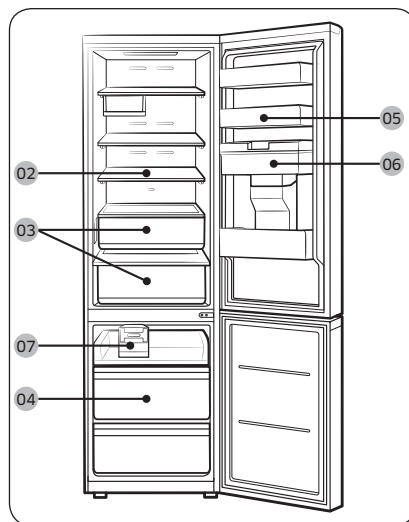
Overblik over køleskabet

Det faktiske køleskab og de medfølgende komponenter afviger muligvis fra illustrationerne i denne vejledning. Det afhænger af model og land.

Normal type



Dispensertype



01 Multibakke *

02 Køleskabshylde / foldbar hylde *

03 Grøntsagsskuffe *

04 Fryserskuffe

05 Køleskabsdørhylde

06 Vandtank **

07 Drejelig ismaskine *

* Kun relevante modeller

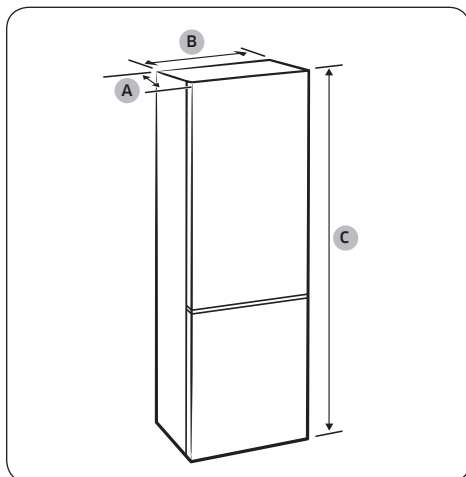
** Kun modeller med dispenser

BEMÆRK

- For at opnå den bedste energieffektivitet skal du sørge for, at alle hylder, skuffer og kurve er placeret i deres oprindelige position.
- For at få mere plads kan du fjerne alle skuffer og placere "fryserhylden (kun for relevante modeller)" i nederste skuffe i fryseren, da den ikke påvirker de termiske og mekaniske egenskaber. Den opgivne opbevaringsvolumen til opbevaring af frosne fødevarer er beregnet med disse skuffer fjernet.

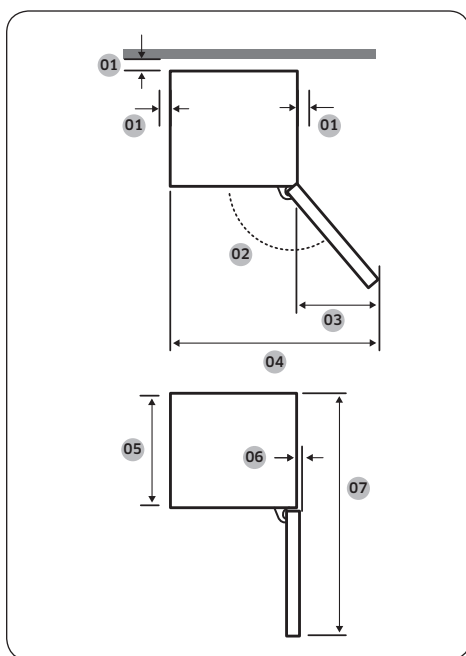
Frihøjde

Se følgende figurer og tabeller for pladskrav ved installation.



Model	RB45**	RB50**	RB53**
Dybde "A"	711		
Bredde "B"	759		
Samlet højde "C"	1780	1920	2030

(enhed:mm)



01	mere end 50 mm anbefales
02	Køleskab: 115°, fryser: 120°
03	551
04	1151
05	626
06	32
07	1406

(enhed:mm)

BEMÆRK

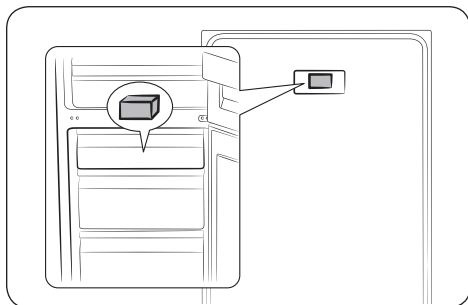
Målene i ovenstående tabel kan variere en smule fra de faktiske mål, afhængigt af måle- og afrundingsmetode.

Trin for trin-installation

TRIN 1 Afstand (kun relevante modeller)

BEMÆRK

Antallet af medfølgende afstandsstykker varierer efter modellen. Monter de medfølgende afstandsstykker.



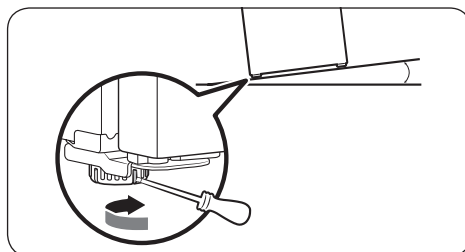
1. Åbn døren, og lokaliser de medfølgende afstandsstykker (grå blok).
2. Pak afstandsstykkerne ud, og monter dem på bagsiden af køleskabet som vist. De hjælper med at ventilere luften ved bagvæggen og sænker strømforbruget.

TRIN 2 Justering af nivelleringsbenene

FORSIGTIG

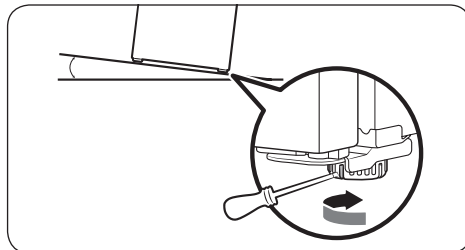
- Køleskabet skal nivelleres på et fladt, fast gulv. Mangel herpå kan medføre skade på køleskabet eller fysisk skade.
- Nivellering skal udføres med et tomt køleskab. Sørg for, at der ikke er madvarer i køleskabet.
- Af sikkerhedsmæssige årsager skal forsiden justeres lidt højere end bagsiden.

Køleskabet kan nivelleres ved hjælp af de forreste ben, der har en speciel skrue (udligner) til nivelleringsformål. Brug en skruetrækker med lige kærnv til at nivellere.



Sådan justeres højden i venstre side:

Indsæt en skruetrækker med lige kærnv i udligneren på forreste venstre ben. Drej udligneren med uret for at hæve, eller drej den mod uret for at sænke.



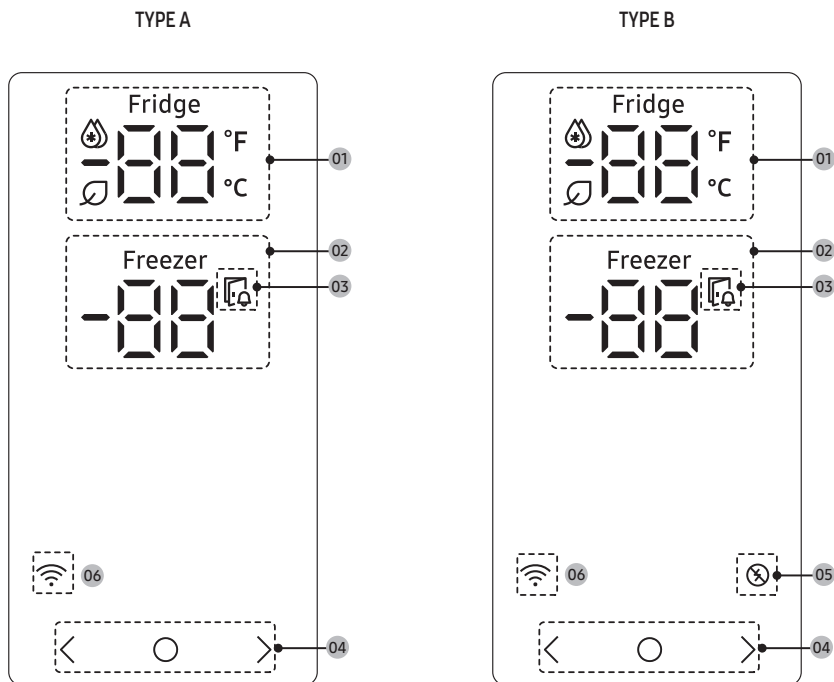
Sådan justeres højden i højre side:

Indsæt en skruetrækker med lige kærnv i udligneren på forreste højre ben. Drej udligneren med uret for at hæve, eller drej den mod uret for at sænke.

Drift

Hovedpanel

Dansk



01 Køleskabsindikator	<ul style="list-style-type: none">• Viser den aktuelle eller ønskede temperatur for køleskabet.• angiver, at funktionen Hurtigkøling er slået til.• Ikonet vises, hvis du slår AI Energy Mode til i SmartThings-appen. (kun relevante modeller)
02 Fryserindikator	<ul style="list-style-type: none">• Viser den aktuelle eller ønskede temperatur for fryseren.• angiver, at funktionen Hurtigfrysning er slået til.
03 Indikator for åben dør	Denne indikator blinker med en alarm, hvis døren er åben i mere end 2 minutter.
04 Knapper	<ul style="list-style-type: none">• Når displayet er slukket, skal du trykke på en vilkårlig knap for at vække det.• Brug for at vælge køleskabet eller fryseren, og eller for at vælge den ønskede temperatur eller funktion for det valgte rum.

05 Indikator for spidsbelastning *	<ul style="list-style-type: none"> • Viser status for funktionen Spidsbelastning. • For flere oplysninger om funktionen Spidsbelastning, se brugervejledningen for at besøge Samsungs websted.
06 Indikator for forbindelse til netværket	<ul style="list-style-type: none"> • Dette ikon indikerer, at køleskabet har forbindelse til et netværk. Hvis ikonet for wi-fi blinker, anbefaler vi, at du forbinder dit køleskab med SmartThings-appen. Du kan kontrollere og overvåge dit køleskab på appen SmartThings. For mere information, se SmartThings afsnit.

BEMÆRK

Hvis døren står åben i mere end 5 minutter, blinker indvendige lys i 5 minutter og slukkes derefter. Det er for at gøre hørehæmmede brugere opmærksomme på, at en dør er åben. Bemærk, at denne funktion er normal.

SmartThings

Installation

Besøg Google Play Store, Galaxy Apps eller Apple App Store, og søg efter "SmartThings". Download og installer appen SmartThings, der leveres af Samsung Electronics, på din smartenhed.

BEMÆRK

- Den understøttede softwareversion af SmartThings-appen kan ændres i henhold til den understøttede OS-politik fra producenten. Derudover, for SmartThings-appen eller de funktioner, som appen understøtter, kan den nye applikationsopdateringspolitik på den eksisterende OS-version suspenderes på grund af anvendelses- eller sikkerhedsårsager.
- SmartThings-appen kan ændres uden varsel for at forbedre anvendelighed eller ydeevne. Da OS-versionen i mobiltelefonen opdateres hvert år, opdateres SmartThings også kontinuerligt i henhold til den seneste OS. Hvis du har spørgsmål angående de overstående punkter, kan du kontakte os på st.service@samsung.com
- Anbefalede krypteringssystemer inkluderer WPA/TKIP og WPA2/AES. Ikke alle nyere eller ikke-standardiserede Wi-Fi-godkendelsesprotokoller understøttes.
- Trådløse netværk kan blive påvirket af det omgivende trådløse kommunikationsmiljø.
- Hvis din internetudbyder har registreret MAC-adressen til din pc eller dit modem af hensyn til identifikation, vil dit Samsung Smart-køleskab muligvis ikke kunne oprette forbindelse til køleskabet. Hvis dette sker, skal du kontakte din internettjenesteudbyder for at få teknisk assistance.
- Firewall-indstillingerne for dit netværkssystem kan forhindre dit Samsung Smart-køleskab i at opnå adgang til internettet. Kontakt din internettjenesteudbyder for at få teknisk assistance. Hvis dette symptom vedvarer, skal du kontakte et lokalt Samsung-servicecenter eller din forhandler.
- Du kan konfigurere indstillingerne for det trådløse adgangspunkt (AP) ved at se betjeningsvejledningen til AP'et (routeren).
- Samsung Smart-køleskabe understøtter både Wi-Fi 2,4 GHz med IEEE 802.11 b/g/n og Soft-AP-protokoller. (IEEE 802.11 n anbefales.)
- Uautoriserede trådløse Wi-Fi-routere kan muligvis ikke oprette forbindelse til Samsung Smart-køleskabe.

Samsung-konto

Du skal registrere din Samsung-konto, før du kan bruge appen. Hvis du ikke har en Samsung-konto, skal du følge appens instruktioner på skærmen for at oprette en gratis Samsung-konto.

Kom godt i gang

Tænd for den enhed, du vil oprette forbindelse til, åbn appen SmartThings på din telefon, og følg derefter instruktionerne nedenfor.

Hvis der vises et pop op-vindue, som siger, at en ny enhed blev fundet, så tryk på **ADD NOW (TILFØJ NU)**.

Hvis der ikke vises et pop op-vindue, skal du trykke på knappen **+** og derefter vælge den enhed, du vil forbinde, fra listen over tilgængelige enheder.

Hvis din enhed ikke er på listen over tilgængelige enheder, skal du trykke på **Supported Devices (Understøttede enheder)**, vælge enhedstype (Køleskab) og derefter vælge den specifikke enhedsmodel.

Følg instruktionerne i appen for at konfigurere din enhed. Når opsætningen er færdig, vises dit køleskab som et "kort" på skærmen **Devices (Enheder)**.

Appen Refrigerator

Indbygget kontrol

Du kan overvåge og kontrollere dit køleskab i hjemmet og på farten.

- Tryk på køleskabsikonet på SmartThings-dashboaret, eller tryk på ikonet Enheder nederst på dashboaret, og tryk derefter på "kortet" køleskab for at åbne siden Køleskab.
- Kontroller driftsstatus eller de notifikationer, der er relateret til dit køleskab, og rediger evt. funktioner eller indstillinger.

BEMÆRK

Visse af køleskabets indstillinger og funktioner er muligvis ikke tilgængelige til fjernbetjening.

Vedligeholdelse

Rengøring

Indvendigt og udvendigt

⚠ ADVARSEL

- Undgå at bruge benzen, fortynder, bilsæbe eller Clorox™ til at rengøre køleskabet. De kan ødelægge køleskabets overflade og medføre brand.
- Sprøjt ikke vand på køleskabet. Dette kan medføre et elektrisk stød.

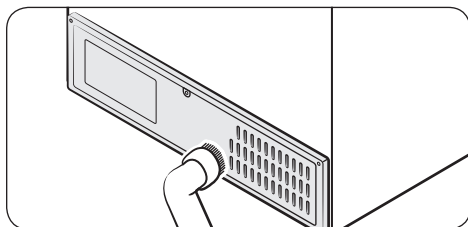
Brug regelmæssigt en tør klud til at fjerne alle fremmede stoffer, såsom støv eller vand, fra strømkablet og kontaktpunkter.

1. Træk strømkablet ud af stikkontakten.
2. Brug en fugtig, blød, fnugfri klud eller køkkenrulle til at rengøre køleskabet ind- og udvendigt.
3. Når du er færdig, skal du ligeledes bruge en tør klud eller køkkenrulle.
4. Sæt strømkablet i.

Gummiforsegling

Hvis gummiforseglingen på en dør bliver snavset, kan døre muligvis ikke lukkes ordentligt, hvilket forringer køleskabets ydeevne og effektivitet. Brug et mildt rengøringsmiddel og en fugtig klud til at rengøre gummiforseglingen. Tør godt af med en klud.

Bagpanel



Støvsug panelet en eller to gange om året for at holde ledninger og komponenter fri for snavs.

⚠ FORSIGTIG

Dækslet til bagpanelet må ikke fjernes. Det kan give risiko for elektrisk stød.

LED-lamper

Kontakt et lokalt Samsung-servicecenter for at få dem udskiftet.

⚠ ADVARSEL

Lamperne er ikke brugerservicerbare. Forsøg ikke selv på at udskifte lampen. Dette kan medføre risiko for elektrisk stød.

Lampe (lyskilde)

Dette produkt indeholder en energieffektiv lyskilde i klasse <G>.

Lampe(r) og/eller styreapparat(er) kan ikke serviceres af brugeren. Kontakt et lokalt Samsung-servicecenter for at udskifte lampe(r) og/eller styreapparat(er).

Der findes detaljerede instruktioner om udskiftning af lampe(r) eller styreapparat(er) til dit produkt på Samsungs websted (<http://www.samsung.com>). Gå til Support > Support-startside, og indtast derefter modelnavnet.

Hvis du ønsker detaljerede instruktioner om afmontering af lampe(r) og/eller styreapparat(er), skal du følge instruktionerne til udskiftning som anført ovenfor.

Open Source-meddelelse

Den software, der er inkluderet i dette produkt, indeholder open source-software. Du kan hente den komplette tilhørende kode i en periode på tre år efter den seneste levering af dette produkt ved at kontakte vores supportteam via <http://opensource.samsung.com> (Brug menuen "Inquiry" (Forespørgsel).)

Du kan også skaffe den komplette tilhørende kildekode på et fysisk medie, som f.eks. en cd-rom. Der opkræves et beskedent gebyr.

Følgende URL-adresse http://opensource.samsung.com/opensource/COMMON_TZ6_0/seq/0 fører til open source-licensoplysninger i relation til dette produkt. Dette tilbud er gældende for alle, der modtager disse informationer.

Sikkerhedsvejledning

- Du får det mest effektive energiforbrug ved at lade alle de indvendige dele, som f.eks. kurve, skuffer, hylder og isterningebakker, blive på den plads, som producenten anbefaler.
- Dette kølingsapparat er ikke beregnet til at blive brugt som et indbygget apparat.

Installationsvejledning

Til kølingsapparater med klimaklasser

Afhængig af klimaklassen er dette kølingsapparat beregnet til at blive brugt ved et omgivende temperaturområde, som angivet i følgende tabel.

Klimaklassen kan findes på mærkepladen. Produktet fungerer muligvis ikke korrekt ved temperaturer uden for det angivne område.

Du kan finde klimaklassen på etiketten inde i dit køleskab

Effektivt temperaturinterval

Køleskabet er designet til at fungere normalt under det temperaturinterval, der er specificeret af dets klassering.

Klasse	Symbol	Omgivende temperaturområde (°C)	
		IEC 62552 (ISO 15502)	ISO 8561
Udvidet tempereret	SN	+10 til +32	+10 til +32
Tempereret	N	+16 til +32	+16 til +32
Subtropisk	ST	+16 til +38	+18 til +38
Tropisk	T	+16 til +43	+18 til +43

BEMÆRK

Køleskabets køleevne og strømforbrug kan blive påvirket af den omgivende temperatur, hvor ofte døren åbnes og placeringen af køleskabet. Vi anbefaler justering af temperaturindstillinger efter behov.

Temperaturvejledning

Anbefalet temperatur

Den optimale temperaturindstilling til opbevaring af mad:

- Køleskab: 3 °C
- Fryser: -19 °C

BEMÆRK

Den optimale temperaturindstilling for hvert rum afhænger af omgivelsestemperaturen. Ovenstående optimale temperatur er baseret på en omgivende temperatur på 25 °C.

Hurtigkøling

Hurtigkøling fremskynder køleprocessen ved maksimal ventilatorhastighed. Køleskabet bliver ved at køre ved fuld hastighed i to en halv time og returnerer derefter til den tidligere temperatur.

Hurtigfrysning

Hurtigfrysning fremskynder frysingsprocessen ved maksimal ventilatorhastighed. Fryseren bliver ved at køre ved fuld hastighed i 50 timer, og returnerer derefter til den tidligere temperatur. Du kan fryse store mængder madvarer ved at aktivere Hurtigfrysning i mindst 20 timer, før du lægger madvarer i fryseren.

BEMÆRK

Når du bruger denne funktion, stiger køleskabets energiforbrug. Husk at slå den fra, når du ikke har brug for den, og stil fryseren til den oprindelige temperaturindstilling.

Sådan opbevarer du mad for at få den bedste holdbarhed (kun relevante modeller)

Afdæk fødevarer for at bevare fugt og forhindre dem i at absorbere dufte fra andre fødevarer. En stor grydefuld mad, som f.eks. suppe eller en gryderet skal opdeles i mindre portioner, og puttes i lave beholdere før placering i køleskabet. En stor udsækning af kød eller en hel fugl skal opdeles i mindre stykker eller placeres i lave beholdere før placering i køleskab.

Placering af fødevarer

Hylde	Hyldeene skal kunne justeres for at kunne rumme pakker af forskellige størrelser.
Specielle rum (kun relevante modeller)	Forseglet frugt- og grøntskuffe giver et optimalt opbevaringsmiljø for frugt og grøntsager. Grøntsager kræver højere fugtighedsforhold, mens frugt kræver lavere fugtighedsforhold. Frugt- og grøntskuffer er udstyret med kontrolenheder til at styre fugtighedsniveauet. (* Afhængigt af model og tilvalgsmuligheder) En kødskuffe med justerbar temperatur maksimerer opbevaringstiden for kød og oste.
Opbevaring i døren	Opbevar ikke fordærvelige fødevarer i døren. Æg skal opbevares i æggebakken på en hylde. Temperaturen i beholderne i døren svinger mere end temperaturen i selve køleskabet. Hold døren lukket så meget som muligt.
Fryserrum	Du kan opbevare frossen mad, lave isterninger og nedfryse frisk mad i fryserummet.

BEMÆRK

Frys kun friske fødevarer i god stand. Hold fødevarer, der skal fryses, borte fra fødevarer, der allerede er frosset. Kom fødevarer i lufttætte beholdere. Så forhindrer du, at de mister smagen eller tørrer ud.

Opbevaringsoversigt for køleskab og fryser

Hvor længe fødevarer holder sig friske afhænger temperatur og udsættelse for fugt. Da produktionsdatoer ikke er en vejledning til sikker brug af et produkt, kan du se i denne oversigt og følge anbefalingerne.

Produkt		Køleskab	Fryser
Mælkeprodukter	Mælk	1 uge	1 måned
	Smør	2 uger	12 måneder
	Smøreost	2 uger	Anbefales ikke
Kød	Ferske stege, steaks, koteletter	3-4 dage	2-3 måneder
	Pølser, rå fra gris, okse, kalkun	1-2 dage	1-2 måneder
Fjerkræ/æg	Fersk fjerkræ	2 dage	6-8 måneder
	Æg, friske i skal	2-4 uger	Anbefales ikke
Fisk/skaldyr	Frisk fisk	1-2 dage	3-6 måneder
	Tørrede eller syltede fisk	3-4 uger	-
Frukt	Æbler	1 måned	-
	Anden frisk frugt	3-5 dage	9-12 måneder
Grøntsager	Asparges	2-3 dage	-
	Broccoli, rosenkål, grønne ærter, svampe	3-5 dage	-
	Kål, blomkål, selleri, agurker, salat	1 uge	-
	Gulerødder, roer/rødbeder, radiser	2 uger	-

Oplysninger om model og bestilling af reservedele

Modeloplysninger

For at få adgang til oplysninger om energimærkning for dette produkt i European Product Registry for Energy Labelling (EPREL) skal du scanne QR-koden på energimærket.

Du kan finde QR-koden på energimærket i din produktæske.

Deloplysninger

- Den mindste periode, som reservedele, der er nødvendige for at reparere apparatet, er tilgængelige
 - 7 år termostater, temperatursensorer, trykte kredsløbskort og lyskilder, dørhåndtag, dørhængsler, bakker, kurve (bokse eller skuffer)
 - 10 år dørpakninger
- Den mindste varighed af kølingsapparatet, som tilbydes af producenten, er 24 måneder.
- Relevante oplysninger til bestilling af reservedele direkte eller gennem andre kanaler, leveres af producenten, importøren eller en autoriseret repræsentant
- Du kan finde professionelle reparationsoplysninger på <http://samsung.com/support>.
Du kan finde brugerservicemanualen på <http://samsung.com/support>.

BEMÆRK

Samsung erklærer hermed, at dette radioudstyr er i overensstemmelse med Direktiv 2014/53/EU og med de relevante lovmæssige krav i Storbritannien.

Den fulde tekst af EU-overensstemmelseserklæringen og overensstemmelseserklæringen for Storbritannien er tilgængelig på følgende internetadresse: Den officielle overensstemmelseserklæring kan findes på <http://www.samsung.com>, gå til Support > Søg produkt support og indtast modelnavnet.

	Frekvensområde	Sendestyrke (maks.)
Wi-Fi	2412-2472 MHz	20 dBm
Bluetooth	2402-2480 MHz	20 dBm

Kontakt SAMSUNG WORLD WIDE

Hvis du har spørgsmål eller kommentarer til Samsungs produkter, bedes du kontakte SAMSUNGS kundeservicecenter.

Land	Kontaktcenter	Website
FRANCE	01 48 63 00 00	www.samsung.com/fr/support
GERMANY	06196 77 555 77	www.samsung.com/de/support
LUXEMBURG	261 03 710	www.samsung.com/be_fr/support
NETHERLANDS	088 90 90 100	www.samsung.com/nl/support
BELGIUM	02-201-24-18	www.samsung.com/be/support (Dutch) www.samsung.com/be_fr/support (French)
NORWAY	21629099	www.samsung.com/no/support
DENMARK	707 019 70	www.samsung.com/dk/support
FINLAND	030-6227 515	www.samsung.com/fi/support
SWEDEN	0771-400 300	www.samsung.com/se/support
CYPRUS	8009 4000 only from landline, toll free	www.samsung.com/gr/support
GREECE	80111-SAMSUNG (80111 726 7864) only from land line (+30) 210 6897691 from mobile and land line	
ITALIA	800-SAMSUNG (800.7267864)	www.samsung.com/it/support
PORTUGAL	210 608 098 Chamada para a rede fixa nacional Dias úteis das 9h às 20h	www.samsung.com/pt/support
SPAIN	91175 0015	www.samsung.com/es/support



DA68-04780Q-00

Kjøleskap

Enkel brukerhåndbok

Frittstående apparat

- For å spare verdifulle ressurser reduserer vi papirhåndbøker og leverer elektroniske brukerhåndbøker som du kan sjekke på smarttelefonen eller et nettsted.
- For instruksjoner om hvordan du bruker produktet, se brukermanualene som du kan åpne med QR-kode eller på Samsung Electronics-nettstedet (<http://www.samsung.com/sec/>).
- For mer informasjon om følgende ting, kan du gå til Samsungs nettsted (<http://www.samsung.com>), gå til Support-delen, og søk deretter etter modellnavnet ditt.
 - Hvordan minimere energiforbruket, tilleggstips for riktig bruk, drift, vedlikehold, kjøleskapstype, spesifikasjoner (dimensjoner).

Vise brukerhåndbøkene

1. Åpne en QR-kodeleserapp og skann deretter QR-bildet som er festet på produktet.
2. Velg en meny fra produktregistreringen, vise håndbøkene eller koble til en tjeneste. Når du velger en håndbok, kan du vise håndboken til det kjøpte produktet.

SAMSUNG

Innhold

Sikkerhetsinformasjon	3	Drift	13
Viktige sikkerhetsforholdsregler	4	Hovedpanel	13
Instruksjoner om WEEE	8	SmartThings	14
Sikkerhetsveiledning	8		
Installasjon	10	Vedlikehold	16
Kort om kjøleskapet	10	Rengjøring	16
Klarering	11		
Trinnvis installasjon	12	Vedlegg	17
		Sikkerhetsinstruks	17
		Installeringsinstruks	17
		Instruksjoner om temperatur	17
		Informasjon om modellen og bestilling av ekstradeler	19

Sikkerhetsinformasjon

- R-600a eller R-134a brukes som kjølevæske. Kontroller kompressoretiketten på baksiden av apparatet eller etiketten på innsiden av kjøleskapet for å se hvilken kjølevæske som brukes i ditt apparat. Når dette produktet inneholder brannfarlig gass (kjølevæske R-600a), bør du kontakte de lokale myndigheter for å forhøre deg om trygg avhending av dette produktet.
- For å unngå at det skapes en brennbar gassblanding hvis det oppstår en lekkasje i kjølevæsketretsen, må man ta hensyn til hvor mye kjølevæske som brukes før man avgjør størrelsen på det rommet som apparatet skal plasseres i.
- Start aldri et apparat som viser tegn på skade. Kontakt forhandleren hvis du er i tvil. Rommet må være 1 m³ i størrelse for hvert 8 g av R-600a kjølemiddel i apparatet.
- For å unngå at matvarer blir forurenset, skal følgende instruksjoner overholdes:
 - Om døren står åpen over lengre tid, kan dette forårsake en betraktelig temperaturøkning i kamrene til apparatet.
 - Rengjør regelmessig overflater som kommer i kontakt med matvarer og tilgjengelige dreneringssystemer.
 - Rengjør vanntanker hvis de ikke har vært i bruk over 48 timer, spyl ut vannsystemet som er tilkoblet en vannforsyning hvis det ikke har trukket ut vann i de siste 5 dagene.
 - Oppbevar rått kjøtt og rå fisk i egnede beholdere i kjøleskapet slik at de ikke kommer i kontakt med eller drypper på andre matvarer.

- Kamre for frossen mat markert med to stjerner er egnet for oppbevaring av forhåndsnedfrysede matvarer, oppbevaring eller lagring av is krem og for å lage isbiter.
 - Kamre markert med én, to eller tre stjerner er ikke egnet for nedfrysning av ferske matvarer.
 - Hvis kjøleskapet står tomt over lengre tid, slår du det av, tiner, rengjør og tørker det, la døren stå åpen for å unngå muggdannelse i apparatet.
- Fyll bare på med drikkbart vann.
 - Koble bare til en vannforsyning med drikkbart vann.
 - Sørg for at ventilasjonsåpningene i apparatets kabinett eller den innebygde strukturen er plassert slik at ingenting hindrer åpningen.
 - Ikke bruk mekaniske enheter eller andre metoder for å fremskynde avisingsprosessen med mindre det anbefales av produsenten.
 - Ikke skad kjølevæskekretsen.
 - Ikke bruk elektriske apparater inni matoppbevaringsrommene i apparatet med mindre de er av typen som anbefales av produsenten.

Viktige sikkerhetsforholdsregler



**Advarsel; risiko for
brann / brennbare
materialer**

⚠ ADVARSEL

- Når apparatet settes på plass, skal du påse at strømledningen ikke er fastklemt eller ødelagt.
- Ikke plasser skjøteledninger eller grenuttak bak apparatet.

- Dette apparatet er ikke beregnet for å brukes av personer (inkludert barn) med svekkede fysiske, sensoriske eller mentale evner, eller av personer som mangler relevant erfaring og kunnskap, med mindre de er under oppsyn eller får opplæring av en person som er ansvarlig for deres sikkerhet.
- Dette apparatet kan brukes av barn fra 8 års alder og av personer med fysiske, sensoriske eller psykiske funksjonshemminger eller manglende erfaring og kunnskaper, så lenge de har fått instruksjoner i hvordan apparatet kan brukes på en sikker måte og forstår hvilke risikoer som er forbundet med bruk av apparatet. Barn må ikke leke med apparatet. Rengjøring og vedlikehold må ikke utføres av barn uten tilsyn. Barn mellom 3 til 8 år kan ta tillates å ta varer inn og ut av kjøleskap.
- Hvis ledningen er skadet, må den skiftes ut av produsenten eller en servicetekniker eller andre kvalifiserte personer for å unngå farer.
- Vegguttaket må være lett tilgjengelig slik at apparatet raskt kan frakobles strømforsyningen ved nødstilfeller.
 - Det må ikke være plassert bak apparatet.
- Ikke oppbevar eksplosive væsker som spraybokser med brannfarlig materiale i dette apparatet.
- Hvis produktet er utstyrt med en LED-lampe, må du ikke fjerne lampedekslene og LED-lampene på egenhånd.
 - Kontakt et Samsung servicesenter.
 - Bruk bare LED-lamper som tilbys av produsenten eller servicerepresentanten.
- Nye slangesett som følger med apparatet, skal brukes, og gamle slangesett må ikke brukes på nytt.

- Koble kjøleskapets vannforsyning til en drikkevannskilde. For at ismaskinen skal fungere skikkelig er det nødvendig med et vanntrykk på 206–861 kPa (30–125 psi).
- Mest effektiv bruk av energien får du ved å la alle indre deler, for eksempel kurver, skuffer og hyller, være i samme posisjon som fra produsenten.
- For å oppnå best mulig energieffektivitet fra produktet må du la alle hyller, skuffer og kurver stå i originalposisjonene.

Dette apparatet er tiltenkt brukt i husholdninger og i andre lignende bruksområder, for eksempel

- kjøkkenområder for ansatte i butikker, på kontorer og i andre arbeidsmiljøer,
- våningshus og av kunder på hoteller, moteller og andre miljøer som brukes til boligformål,
- pensjonater og lignende,

- catering og andre bruksområder som ikke kommer inn under varehandel.

⚠ ADVARSEL

- Dette apparatet inneholder en liten mengde isobutankjølevæske (R-600a) som er en naturgass som er miljøvennlig, men også brennbar. Ved transport og installasjon av apparatet må du være forsiktig slik at ingen deler av kjølevæskesystemet blir skadet.
- Ikke oppbevar flyktige eller brannfarlige gjenstander eller gasser (benzen, tynner, propangass, alkohol, eter, LP-gass og andre lignende produkter osv.) i kjøleskapet.
 - Dette kjøleskapet skal bare brukes til å oppbevare mat.
 - Dette kan føre til brann eller eksplosjon.

- Vanntanken, isskuffen og vannterningene må bare fylles med drikkbart vann (mineralvann eller rensset vann).
 - Ikke fyll tanken med te, juice eller sportsdrikk da dette kan skade kjøleskapet.
- R-600a eller R-134a brukes som kjølevæske. Kontroller kompressoretiketten på baksiden av apparatet eller etiketten på innsiden av kjøleskapet for å se hvilken kjølevæske som brukes i ditt kjøleskap. Hvis dette produktet inneholder brannfarlig gass (kjølevæske R-600a), bør du kontakte de lokale myndigheter for å forhøre deg om trygg avhending av dette produktet.
- Når du avhender dette kjøleskapet, må du fjerne døren, dørforseglingen og dørhengslene slik at små barn eller dyr ikke kan bli fanget inni det. Barn må ha tilsyn for å sikre at de ikke leker med apparatet. Hvis barnet blir sittende fast inni, kan det bli skadet eller kvalt til døde.
 - Hvis barnet blir sittende fast inni, kan det bli skadet og kvalt til døde.
- Syklopentan brukes i isolasjonen. Gassene i isolasjonsmaterialet krever en spesiell avhendingsprosedyre. Kontakt de lokale myndighetene angående miljømessig, trygg avhending av dette produktet.
- Temperaturen til en del/deler med to stjerner eller rom som har tostjernerssymbolet (☆☆) er noe høyere enn andre fryserdeler. Hvilke(n) del/deler eller rom som er merket med to stjerner, kan variere fra produkt til produkt, så du kan se i instruksjonene og/eller oppsettet ved levering.

Instruksjoner om WEEE



Korrekt avhending av dette produktet
(Avfall fra elektrisk og elektronisk utstyr)
(Gjelder i land med avfallssortering)

Denne merkingen som vises på produktet, dets tilbehør eller dokumentasjon, indikerer at produktet eller det elektroniske tilbehøret (for eksempel lader, headset, USB-kabel) ikke skal kastes sammen med annet husholdningsavfall ved slutten av levetiden. For å hindre potensiell skade på miljøet eller helseskader grunnet ukontrollert avfallsavhending ber vi om at dette avfallet holdes adskilt fra andre typer avfall og resirkuleres på ansvarlig måte for å fremme bærekraftig gjenbruk av materielle ressurser.

Private forbrukere bør kontakte enten forhandleren de kjøpte produktet av, eller lokale myndigheter for detaljer om hvor og hvordan disse artiklene kan resirkuleres på en miljøvennlig måte.

Forretningsbrukere bør kontakte sin leverandør og undersøke vilkårene i kjøpskontrakten. Dette produktet og det elektroniske tilbehøret skal ikke blandes med annet kommersielt avfall som skal kastes.

Hvis du vil ha informasjon om Samsungs miljøforpliktelser og produktreguleringsforpliktelser, dvs. REACH, WEEE eller batterier, kan du gå til siden vår om bærekraft som er tilgjengelig via www.samsung.com

(Gjelder bare produkter som selges i europeiske land og i Storbritannia)

Sikkerhetsveiledning

LESE ALLE INSTRUKSJONER FØR BRUK

Følgende sikkerhetsretningslinjer er ment å forhindre uforutsette risikoer eller skade fra usikker eller feil bruk av apparatet.

Retningslinjene er delt inn i **ADVARSEL** og **FORSIKTIG** som beskrevet nedenfor.

Sikkerhetsmeldinger

Dette symbolet vises for å indikere forhold og operasjoner som kan forårsake risiko. Les delen med dette symbolet nøye og følg instruksjonene for å unngå risiko.

⚠ ADVARSEL

Dette indikerer at unnlatelse av å følge instruksjonene kan føre til alvorlig skade eller dødsfall.

⚠ FORSIKTIG

Dette indikerer at unnlatelse av å følge instruksjonene kan forårsake mindre skade eller skade på produktet.

⚠ ADVARSEL

For å redusere risikoen for eksplosjon, brann, død, elektrisk støt, personskade eller brannskader på personer ved bruk av dette produktet, skal du følge grunnleggende forholdsregler, inkludert følgende:

Installasjon

- Dette apparatet skal bare transporteres av to eller flere personer som holder apparatet sikkert.
- Installer apparatet på et fast og jevnt gulv.
- Ikke installer apparatet på et fuktig og støvete sted. Ikke installer eller oppbevar apparatet i et utendørsområde, eller et område som er utsatt for værforhold som direkte sollys, vind, regn eller temperaturer under frysepunktet.
- Ikke plasser apparatet i direkte sollys eller utsett det for varme fra varmeapparater som komfyrer eller varmeovner.
- Vær forsiktig så du ikke eksponerer baksiden av apparatet når du installerer.
- Installer apparatet på et sted hvor det er enkelt å trekke ut støpselet til apparatet.
- Vær forsiktig så du ikke lar apparatdøren falle ned under montering eller demontering.

- Vær forsiktig så du ikke klemmer eller skader strømledningen under montering eller demontering av apparatdøren.
- Vær forsiktig så du ikke retter støpselet opp eller lar apparatet lene seg mot støpselet.
- Ikke koble en støpseladapter eller annet tilbehør til støpslet.
- Ikke modifierer eller forleng strømkabelen.
- Sørg for at stikkkontakten er riktig jordet, og at jordpinnen på strømledningen ikke er skadet eller fjernet fra støpselet. For mer informasjon om jording, kan du ta kontakt med Samsung Electronics servicesenter.
- Dette apparatet er utstyrt med en strømledning med en utstyrsjordingsleder og en jordet strømplugg. Støpselet må kobles til en passende stikkontakt som er installert og jordet i samsvar med alle lokale forskrifter og forskrifter.
- Start aldri et apparat som viser tegn på skade. Kontakt forhandleren hvis du er i tvil.
- Ikke koble apparatet til en adapter med flere stikkontakter som ikke har en strømkabel (montert).
- Apparatet skal kobles til en dedikert strømledning som er separat sikret.
- Ikke bruk et grenuttak som ikke er riktig jordet (bærbart). Hvis du bruker et riktig jordet grenuttak (bærbart), bruker du grenuttaket med den gjeldende kapasiteten til strømledningen eller høyere og bruker grenuttaket kun for apparatet.
- Kasser alt emballasjemateriale (som plastposer og isopor) unna barn. Emballasjen kan forårsake kvelning.

Bruk

- Vær forsiktig med barn i nærheten når du åpner eller lukker apparatdøren. Døren kan komme borti barnet og forårsake skade.
- Unngå faren for at barn blir sittende fast i apparatet. Et barn som sitter fast i apparatet kan forårsake kvelning.

FORSIKTIG

For å redusere risikoen for mindre personskade, funksjonsfeil eller skade på produktet eller eiendom når du bruker dette produktet, følger du grunnleggende forholdsregler, inkludert følgende:

Bruk

- Ikke berør frossen mat eller metalldelene i fryseseksjonen med våte eller fuktige hender. Det kan forårsake frostskaider.
- Ikke plasser glassbeholdere, flasker eller bokser (spesielt de som inneholder kullsyreholdige drikker) i fryserdelen, hyllene eller isboksen som vil bli utsatt for temperaturer under frysepunktet.
- Det herdede glasset på forsiden av apparatdøren eller hyllene kan bli skadet av et slag. Hvis det er ødelagt. Ikke berør det med hendene.
- Ikke heng fra apparatdørene, oppbevaringsrommet, hyllene eller klatre opp i det.
- Ikke oppbevar for mange vannflasker eller beholdere for sideretter i dørkurvene.
- Ikke åpne eller lukk apparatdøren med overdreven kraft.
- Hvis hengslet på apparatdøren er skadet eller fungerer feil, skal du slutte å bruke apparatet og kontakt et autorisert servicesenter.
- Unngå at dyr biter i strømkabelen eller vannslangen.
- Spis aldri frossen mat umiddelbart etter at den er tatt ut i fryserdelen.
- Pass på at du ikke setter en hånd eller fot fast når du åpner eller lukker apparatdøren eller døren i døren.

Vedlikehold

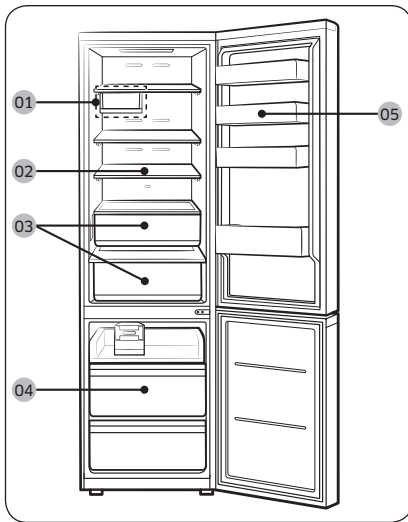
- Ikke rengjør glasshyller eller deksler med varmt vann når de er kalde. De kan knuses hvis de utsettes for plutselige temperaturendringer.
- Ikke sett inn hyllene opp ned. Hyllene kan falle.
- For å fjerne frost fra apparatet, kontakter du et Samsung Electronics servicesenter.
- Kast isen inne i isboksen i fryserdelen under et lengre strømbrudd.

Installasjon

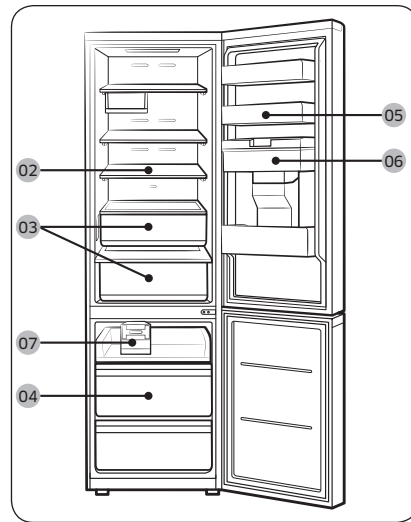
Kort om kjøleskapet

Det faktiske kjøleskapet og dets medfølgende bestanddeler kan variere noe fra de som beskrives i denne håndboken, avhengig av modell og land.

Normal type



Dispensertype



01 Flere skuffer *

02 Kjøleskaphylle/Sammenleggbar hylle *

03 Grønnsaksskuffen *

04 Fryserskuff

05 Kjøleskapdørskuff

06 Vanntank **

07 Twist ismaskin *

* bare gjeldende modeller

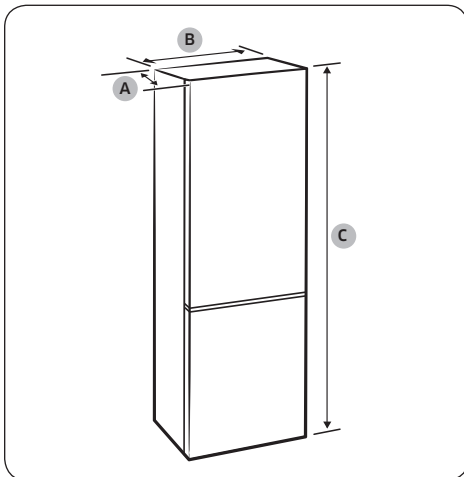
** bare dispensermodeller

MERK

- For best mulig energieffektivitet må du sørge for at alle hyller, skuffer og kurver er plassert i original posisjon.
- For å få mer plass kan du fjerne skuffene øverst og i midten og plassere «fryserhyllen» (bare gjeldende modeller) nederst i fryseren, siden det ikke påvirker de termiske og mekaniske egenskapene. Det oppgitte lagringsvolumet av frossen mat i fryserdelen beregnes med disse skuffene fjernet.

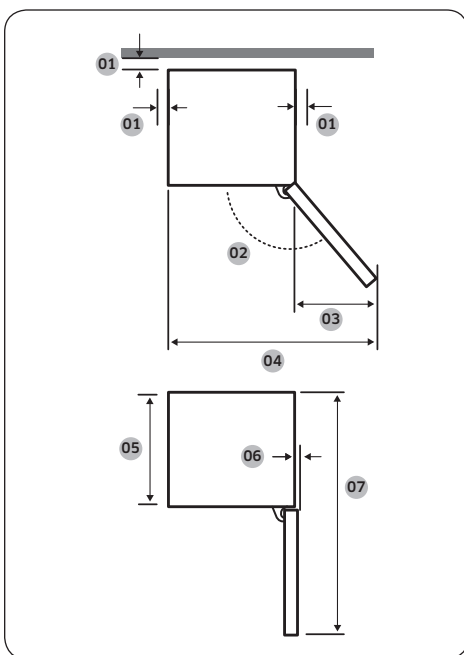
Klarering

Se bildene og tabellene nedenfor for plasskrav ved montering.



Modell	RB45**	RB50**	RB53
Dybde "A"	711		
Bredde "B"	759		
Samlet høyde "C"	1780	1920	2030

(enhet: mm)



01	mer enn 50 mm anbefales
02	Kjøleskap : 115°, Fryser : 120°
03	551
04	1151
05	626
06	32
07	1406

(enhet: mm)

MERK

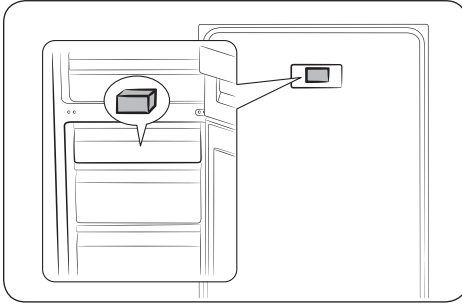
Målene i tabellen over kan variere noe fra de faktiske målene, avhengig av metode for måling og avrunding.

Trinnvis installasjon

TRINN 1 Romdeling (bare gjeldende modeller)

MERK

Antallet medleverte mellomstykker varierer etter modell. Fest alle de medleverte mellomstykkene.



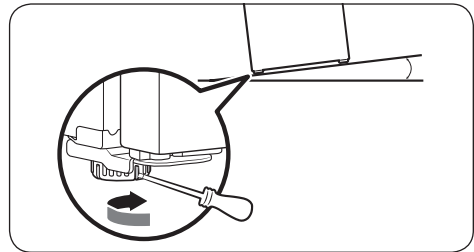
1. Åpne døren og finn det medfølgende avstandsstykket (grå blokk).
2. Pakk ut avstandsstykket og fest det til baksiden av kjøleskapet som vist. De hjelper til med å ventilere luft til den bakre veggen og reduserer strømforbruket.

TRINN 2 Justere nivelleringsføttene

FORSIKTIG

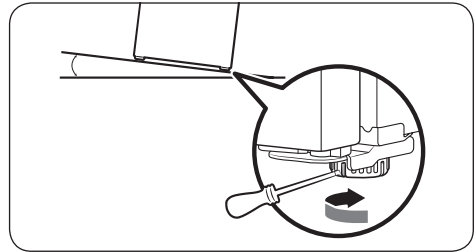
- Kjøleskapet må stå rett på et flatt, solidt gulv. Hvis ikke kan det føre til skader på kjøleskapet eller fysiske skader.
- Justeringen må utføres med tomt kjøleskap. Sørg for at det ikke er noen matvarer i kjøleskapet.
- Av sikkerhetsmessige årsaker justerer du forsiden litt høyere enn baksiden.

Kjøleskapet kan nivelleres med fotfrontene som har en spesialskrue (nivelleringsskrue) til nivelleringsformål. Bruk en flat skrutrekker til justeringen.



Slik justerer du høyden på venstre side:

Plasser en flat skrutrekker inn i utjevneren på venstre frontfot. Skru justeringskruen med klokken for å heve eller skru den mot klokken for å senke.



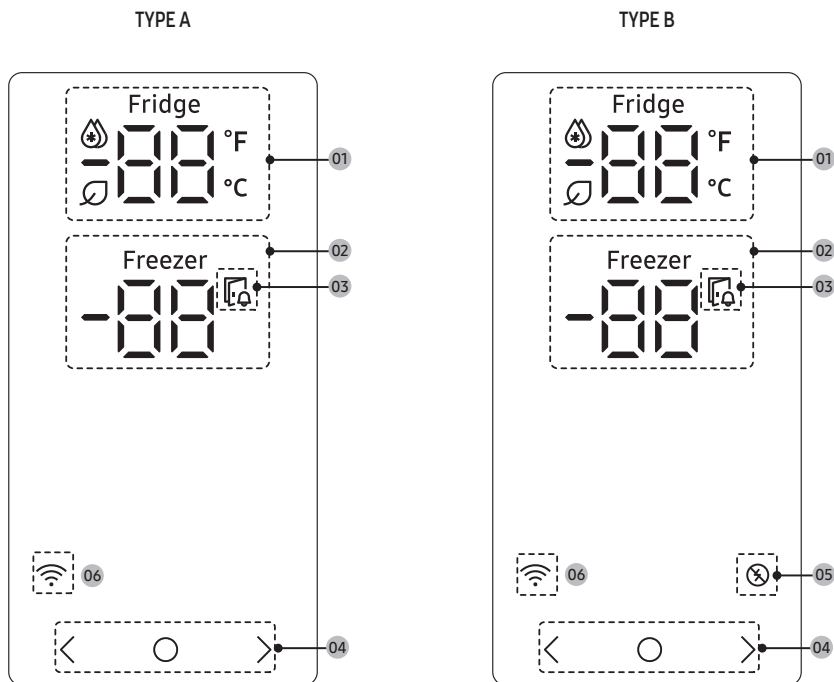
For å justere høyden på høyre side:

Plasser en flat skrutrekker inn i utjevneren på høyre frontfot. Skru justeringskruen med klokken for å heve eller skru den mot klokken for å senke.

Drift

Hovedpanel

Norsk



01 Kjøleskapsindikator	<ul style="list-style-type: none">• Viser gjeldende eller ønsket temperatur på kjøleskapet.• indikerer at Hurtigkjøler-funksjonen er på.• Ikonet vises hvis du slår på AI Energy Mode i SmartThings-appen. (bare aktuelle modeller)
02 Fryserindikator	<ul style="list-style-type: none">• Viser gjeldende eller ønsket temperatur på fryseren.• indikerer at Hurtigfrys-funksjonen er på.
03 Dør åpen-indikator	Denne indikatoren blinker med en alarm hvis døren blir stående åpen i mer enn 2 minutter.
04 Knapper	<ul style="list-style-type: none">• Når skjermen er av, trykker du på en knapp for å vekke skjermen.• Bruk til å velge kjøleskap eller fryser og eller for å velge ønsket temperatur eller funksjon for det valgte rommet.

05 Indikator for topp etterspørsel *	<ul style="list-style-type: none"> • Viser status for funksjonen Topp etterspørsel. • For mer informasjon om funksjonen Topp etterspørsel, kan du se brukerhåndboken på Samsungs nettsted.
06 Indikator for nettverkstilkobling	<ul style="list-style-type: none"> • Dette ikonet indikerer at kjøleskapet er koblet til et nettverk. Hvis Wi-Fi-ikonet blinker anbefaler vi at du kobler til kjøleskapet med SmartThings-appen. Du kan kontrollere og overvåke kjøleskapet på SmartThings-appen. For mer informasjon, se avsnittet SmartThings.

MERK

Hvis døren står åpen i fem minutter, blinker de interne lysene i fem minutter og slår seg deretter av. Dette er for å varsle hørselshemmede brukere om at en dør er åpen. Merk at dette er en normal funksjon.

SmartThings

Installasjon

Besøk Google Play Store, Galaxy Apps eller Apple App Store og søk etter «SmartThings». Last ned og installer SmartThings-appen som tilbys av Samsung Electronics, på smartenheten din.

MERK

- Programvareversjonen av SmartThings-appen som støttes kan endres i henhold til støtteretningslinjene for OS-et som produsenten oppgir. I tillegg, for SmartThings-appen eller funksjonene som appen støtter, kan de nye retningslinjene for programoppdatering på den eksisterende OS-versjonen opphøres på grunn av årsaker for brukervennlighet eller sikkerhet.
- SmartThings-appen kan endres uten forvarsel for å forbedre brukervennligheten eller ytelsen. Siden OS-versjonen for mobiltelefoner oppdateres hvert år, blir også SmartThings oppdatert kontinuerlig i henhold til siste OS. Hvis du har spørsmål om det ovennevnte, kan du kontakte oss på st.service@samsung.com
- Anbefalte krypteringssystemer inkluderer WPA/TKIP og WPA2/AES. Nyere eller ikke standard Wi-Fi-autentiseringsprotokoller støttes ikke.
- Trådløse nettverk kan påvirkes av trådløse kommunikasjonsomgivelser.
- Hvis Internett-tjenesteleverandøren din har registrert MAC-adressen til PC-en eller modemmet for identifikasjon, kan det hende at Samsung Smart Refrigerator ikke kan koble seg til Internett. Hvis dette skjer, kontakter du Internett-tjenesteleverandøren for teknisk støtte.
- Brannmurinnstillingene for nettverkssystemet kan hindre Samsung Smart Refrigerator i å få tilgang til Internett. Kontakt Internett-tjenesteleverandøren for teknisk hjelp. Hvis dette symptomet fortsetter, kontakter du et lokalt Samsung-servicesenter eller forhandleren.
- For å konfigurere de trådløse tilgangspunktinnstillingene kan du se brukerhåndboken til tilgangspunktet (ruter).
- Samsung Smart-kjøleskap støtter både Wi-Fi 2,4 GHz med IEEE 802.11 b/g/n- og Soft-AP-protokollene. (IEEE 802.11 n er anbefalt.)
- Uautoriserte trådløse Wi-Fi-rutere kan kanskje ikke koble seg til et Samsung Smart Refrigerator.

Samsung-konto

Du må registrere Samsung-kontoen din for å bruke appen. Hvis du ikke har en Samsung-konto, følger du instruksjonene på appskjermen for å opprette en gratis Samsung-konto.

Komme i gang

Slå på enheten du vil koble til, åpne SmartThings-appen på telefonen og følg instruksjonene nedenfor.

Hvis en melding vises som sier at en ny enhet har blitt funnet, klikker du **ADD NOW (LEGG TIL NÅ)**.

Hvis en popup ikke vises, trykker du på knappen + og velger deretter enheten du vil koble til fra listen over tilgjengelige enheter.

Hvis enheten ikke er på listen over tilgjengelige enheter, trykker du på **Supported Devices (Støttede enheter)**, velger enhetstype (Kjøleskap) og deretter den spesifikke enhetsmodellen.

Følg instruksjonene i appen for å konfigurere enheten din. Når konfigureringen er fullført, blir kjøleskapet ditt vist som et «kort» på skjermen **Devices (Enheter)**.

Kjøleskapsapp

Integrert kontroll

Du kan overvåke og kontrollere kjøleskapet hjemme og på farten.

- Trykk på kjøleskapikonet på SmartThings-instrumentbordet eller trykk på Enheter-ikonet nederst på instrumentbordet, og trykk deretter på kjøleskapkortet for å åpne Kjøleskap-siden.
- Kontroller driftsstatusen eller varslene som er knyttet til kjøleskapet og endre alternativer eller innstillinger om nødvendig.

MERK

Noen av kjøleskapets alternativer eller innstillinger er kanskje ikke tilgjengelige for fjernkontroll.

Vedlikehold

Rengjøring

Innvendig og utvendig

⚠ ADVARSEL

- Ikke bruk benzen, tynner, hus- eller bilvaskemiddel eller Clorox™ til å rengjøre kjøleskapet. Disse kan skade kjøleskapets overflate eller føre til brann.
- Ikke sprut vann på kjøleskapet. Det kan føre til elektrisk støt.

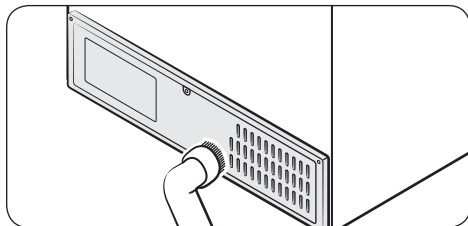
Bruk en tørr klut til å fjerne alle fremmedelementer som støv eller vann fra støpselet og stikkontaktene.

1. Koble fra strømledningen.
2. Bruk en fuktig, myk, ikke-loende klut eller tørkepapir til å rengjøre kjøleskapets innside og utside.
3. Når du er ferdig, bruker du en tørr klut eller et tørkepapir til å tørke skikkelig.
4. Koble til strømledningen.

Gummiforseglinger

Hvis gummiforseglingen på en dør blir skitten, kan det hende at døren ikke kan lukkes ordentlig, noe som vil redusere kjøleskapets ytelse og effektivitet. Bruk et mildt vaskemiddel og en fuktig klut til å rengjøre gummiforseglingene. Tørk så godt av med en klut.

Bakpanel



For å holde ledninger og utsatte deler på bakpanelet rene, kan du støvsuge panelet et par ganger i året.

⚠ FORSIKTIG

Ikke fjern det bakre paneldekslet. Elektrisk støt kan forekomme.

LED-lamper

For å bytte ut lampene i kjøleskapet må du ta kontakt med et lokalt Samsung servicesenter.

⚠ ADVARSEL

Brukeren kan ikke utføre endringer på lampene. Ikke forsøk å skifte ut lampen selv. Dette kan føre til elektrisk støt.

Lampe (lyskilde)

Dette produktet inneholder en lyskilde med energieffektivitetsklasse <G>.

Lampen(e) og/eller kontrollmekanismen kan ikke vedlikeholdes av brukeren. For å skifte lampen(e) og eller kontrollmekanismen(e) i produktet kontakter du et lokalt Samsung-servicesenter.

For detaljerte instruksjoner om hvordan du skifter lampen(e) eller kontrollmekanismen i produktet, kan du gå til Samsung-nettstedet (<http://www.samsung.com>) gå til Support > Support home, og angi modellnavnet.

For detaljerte instruksjoner om hvordan du demonterer lampen(e) og/eller kontrollmekanismen, følger du instruksjonene for utskiftning som du finner der det er beskrevet ovenfor.

Kunngjøring om åpen kilde

Programvaren inkludert i dette produktet inneholder programvare fra åpen kilde. Du kan skaffe deg hele den tilhørende kildekode når det har gått tre år etter siste distribusjon av dette produktet, ved å kontakte brukerstøtte teamet vårt via <http://opensource.samsung.com> (bruk menyen «Inquiry» (forespørsel).)

Det er også mulig å skaffe seg hele den tilhørende kildekode på et fysisk medium, for eksempel en CD-ROM. En liten avgift vil påløpe.

Følgende nettadresse http://opensource.samsung.com/opensource/Common_TZ6_0/seq/0 tar deg til lisensinformasjon for åpen kilde-programvare som er relatert dette produktet. Dette tilbudet gjelder til alle som mottar denne informasjonen.

Vedlegg

Sikkerhetsinstruks

- Mest effektiv bruk av energien får du ved å la alle indre deler, som kurver, skuffer og hyller og isbitbrett, være i samme posisjon som fra produsenten.
- Dette kjøleskapet er ikke ment for innbygging.

Installeringsinstruks

For kjøleskap med klimaklasse

Avhengig av klimaklasse er dette kjøleskapet ment for bruk i romtemperaturer som spesifisert i følgende tabell. Klimaklassen finner du på energietiketten. Utenfor disse temperaturene kan produktets funksjonalitet reduseres.

Klimaklassen finner du på etiketten på innsiden av kjøleskapet.

Effektivt temperaturområde

Kjøleskapet er utformet for å fungere normalt innenfor temperaturområdet som er spesifisert i klasserangeringen.

Klasse	Symbol	Omgivelsestemperaturområde (°C)	
		IEC 62552 (ISO 15502)	ISO 8561
Kald temperert sone	SN	+10 til +32	+10 til +32
Temperert sone	N	+16 til +32	+16 til +32
Subtropisk sone	ST	+16 til +38	+18 til +38
Tropisk sone	T	+16 til +43	+18 til +43

MERK

Kjøleytelsen og strømforbruket til kjøleskapet kan påvirkes av temperaturen i rommet, hvor ofte døren åpnes og plasseringen av kjøleskapet. Vi anbefaler at du justerer temperaturinnstillingene etter behov.

Instruksjoner om temperatur

Anbefalt temperatur

Den optimale temperaturinnstillingen for matoppbevaring:

- Kjøleskap: 3 °C
- Fryser: -19 °C

MERK

Den optimale temperaturinnstillingen for hvert rom avhenger av omgivelsestemperaturen. Over optimal temperatur er basert på omgivelsestemperaturen på 25 °C.

Hurtigkjøler

Hurtigkjøler fremskynder kjøleprosessen ved maksimal viftehastighet. Kjøleskapet fortsetter å gå på full hastighet i to og en halv time før det går tilbake til forrige temperatur.

Hurtigfrys

Hurtigfrys fremskynder fryseprosessen ved maksimal viftehastighet. Fryseren fortsetter å gå på full hastighet i 50 timer før den går tilbake til forrige temperatur. Når du skal fryse store mengder mat, bør du aktivere Hurtigfrys i minst 20 timer før du legger maten i fryseren.

MERK

Når du bruker denne funksjonen økes strømforbruket til kjøleskapet. Husk å slå den av når du ikke trenger den, slik at fryseren gjenopptar den opprinnelige temperaturinnstillingen.

Oppbevaring for best konservering (bare gjeldende modeller)

Dekk til mat for å beholde fuktigheten og forhindre at de plukker opp lukt fra andre matvarer. En stor gryte med mat som suppe eller lapskaus, bør deles i små porsjoner og legges i grunne beholdere før de legges i kjøleskapet. Et stort kjøttstykke eller helt fjærkre skal deles opp i mindre biter eller legges i grunne beholdere før de legges i kjøleskapet.

Plassering av matvarer

Hyller	Hyllene er justerbare for å få plass til en rekke forskjellige pakker.
Spesialisert kammer (bare gjeldende modeller)	Tette crisper-skuffer gir et optimalt lagringsmiljø for frukt og grønnsaker. Grønnsaker krever forhold med høyere fuktighet, mens frukt krever lavere fuktighetsforhold. Crisper-skuffer er utstyrt med kontrollenheter for å kontrollere fuktighetsnivået. (* Avhengig av modell og alternativer) En kjøttskuff med justerbar temperatur maksimerer lagringstiden for kjøtt og ost.
Oppbevares i døren	Ikke oppbevar lettbedervelige matvarer i døra. Egg skal oppbevares i kartongen på en hylle. Temperaturen på beholderne i døren svinger mer enn temperaturen i skapet. Hold døren lukket så mye som mulig.
Fryserdelen	Du kan lagre frossen mat, lage isbiter og fryse fersk mat i fryserdelen.

MERK

Frys kun fersk, uskadet mat. Hold mat som skal frysers unna mat som allerede er frossen. Oppbevar maten i lufttette beholdere for å hindre at den mister smak eller tørker ut.

Oppbevaringsskjema for kjøleskap og fryser

Friskhetens levetid avhenger av temperatur og eksponering for fuktighet. Siden produktdatoer ikke er en guide for sikker bruk av et produkt, kan du se dette skjemaet og følge disse tipsene.

Produkt		Kjøleskap	Fryser
Melkeprodukter	Melk	1 uke	1 måned
	Smør	2 uker	12 måneder
	Kremost	2 uker	Ikke anbefalt
Meat	Ferske steker, biffer, koteletter	3–4 dager	2-3 måneder
	Pølse, rå fra svinekjøtt, storfekjøtt, kalkun	1-2 dager	1-2 måneder
Fjærkre/egg	Ferskt fjærkre	2 dager	6-8 måneder
	Egg, ferske i skallet	2-4 uker	Ikke anbefalt
Fisk/sjømat	Fersk fisk	1-2 dager	3–6 måneder
	Tørket eller syltet fisk	3-4 uker	–
Frukt	Epler	1 måned	–
	Annen fersk frukt	3-5 dager	9-12 måneder
Grønnsaker	Asparges	2-3 dager	–
	Brokkoli, rosenkål, grønne erter, sopp	3-5 dager	–
	Kål, blomkål, selleri, agurk, salat	1 uke	–
	Gulrøtter, betes, reddiker	2 uker	–

Informasjon om modellen og bestilling av ekstradeler

Informasjon om modellen

For å vise informasjon om energimerking for dette produktet på det europeiske produktregisteret for energimerking (EPREL), skanner du QR-koden på energietiketten.

Du finner QR-koden på energietiketten på produktboksen.

Informasjon om deler

- Minimumsperiode for levering av nødvendige ekstradeler
 - 7 år: termostater, temperatursensorer, kretskort og lyskilder, dørhåndtak, dørhengsler, brett, kurver (bokser og skuffer)
 - 10 år: dørpakninger
- Minimum garantitid fra leverandøren er 24 måneder.
- Informasjon om bestilling av ekstradeler, direkte eller via andre kanaler formidlet av produsenten, importøren eller en annen autorisert representant
- Du kan finne informasjon om profesjonell reparasjon på <http://samsung.com/support>.
Du kan finne bruksanvisningen på <http://samsung.com/support>.

MERK

Herved erklærer Samsung at dette radioutstyret overholder bestemmelsene i Direktiv 2014/53/EU og de relevante lovbestemte kravene i Storbritannia.

Den fullstendige teksten for EUs samsvarserklæring og Storbritannias samsvarserklæring er tilgjengelig via følgende internettadresse: Du finner den offisielle samsvarserklæringen på <http://www.samsung.com> ved å gå til Support > Search Product Support og legge inn modellnavnet.

	Frekvensområde	Overføringsseffekt (maks.)
Wi-Fi	2412–2472 MHz	20 dBm
Bluetooth	2402–2480 MHz	20 dBm

Kontakt SAMSUNG WORLD WIDE

Hvis du har spørsmål eller kommentarer som er relatert til Samsung-produkter, kontakter du SAMSUNG-kundeservicesenter.

Land	Kontaktsenter	Nettsted
FRANCE	01 48 63 00 00	www.samsung.com/fr/support
GERMANY	06196 77 555 77	www.samsung.com/de/support
LUXEMBURG	261 03 710	www.samsung.com/be_fr/support
NETHERLANDS	088 90 90 100	www.samsung.com/nl/support
BELGIUM	02-201-24-18	www.samsung.com/be/support (Dutch) www.samsung.com/be_fr/support (French)
NORWAY	21629099	www.samsung.com/no/support
DENMARK	707 019 70	www.samsung.com/dk/support
FINLAND	030-6227 515	www.samsung.com/fi/support
SWEDEN	0771-400 300	www.samsung.com/se/support
CYPRUS	8009 4000 only from landline, toll free	www.samsung.com/gr/support
GREECE	80111-SAMSUNG (80111 726 7864) only from land line (+30) 210 6897691 from mobile and land line	
ITALIA	800-SAMSUNG (800.7267864)	www.samsung.com/it/support
PORTUGAL	210 608 098 Chamada para a rede fixa nacional Dias úteis das 9h às 20h	www.samsung.com/pt/support
SPAIN	91175 0015	www.samsung.com/es/support



DA68-04780Q-00

Jääkaappi

Yksinkertainen käyttöopas

Itsenäinen kodinkone

- Arvokkaita luonnonvaroja säästääksemme vähennämme paperisia käyttöoppaita ja tarjoamme sähköisiä käyttöoppaita, joita voit tarkastella älypuhelimellasi tai verkkosivuston kautta.
- Tuotteen käyttöohjeet löytyvät QR-koodina toimitetuista käyttöoppaista tai Samsung Electronicsin verkkosivustolta (<http://www.samsung.com/sec/>).
- Jos haluat lisätietoja seuraavista asioista, käy Samsungin verkkosivustolla (<http://www.samsung.com>), siirry Support-osioon ja etsi sitten oman tuotemallisi nimi.
 - Energiankulutuksen minimoiminen, lisävinkkejä oikeanlaiseen käyttöön, toiminnot, huolto, jääkaappityyppi, tekniset tiedot (mitat).

Käyttöoppaiden tarkastelu

1. Käynnistä QR-koodin lukusovellus ja skannaaj sitten tuotteeseen liitetty QR-kuva.
2. Valitse valikko tuotteen rekisteröinnistä, käyttöoppaiden katselusta tai palvelun liittämistä. Kun valitset käyttöoppaan, voit tarkastella ostamasi tuotteen käyttöopasta.

SAMSUNG

Sisällysluettelo

Turvallisuusohjeet	3	Toiminnot	13
Tärkeitä varotoimenpiteitä	4	Pääpaneeli	13
Sähkö- ja elektroniikkalaiteromua koskevat ohjeet	8	SmartThings	14
Turvallisuusopas	8		
Asennus	10	Huolto	16
Jääkaapin kuvaus	10	Puhdistaminen	16
Vapaa tila	11		
Vaiheittainen asennus	12	Liite	17
		Turvallisuusohje	17
		Asennusohje	17
		Lämpötilaohje	17
		Tiedot mallista ja varaosien tilaamisesta	19

Turvallisuusohjeet

- Jäähdytysaineena käytetään joko R-600a:ta tai R-134a:ta. Tarkista tarvittaessa laitteen takana olevasta kompressorikyltistä tai sen sisällä olevasta tyyppikilvestä, mitä jäähdytysainetta siinä käytetään. Jos laite sisältää helposti syttyvää kaasua (jäähdytysaine R-600a), pyydä turvalliset hävitysohjeet paikallisilta viranomaisilta.
- Jääkaapin sijoitustilan koko määräytyy sen mukaisesti, kuinka paljon jäähdytysainetta laitteessa käytetään. Näin vältetään herkästi syttyvien kaasun ja ilman yhdistelmien muodostuminen, jos jäähdytyspiirissä tapahtuu vuoto.
- Älä milloinkaan käynnistä laitetta, jos se näyttää olevan jotenkin vaurioitunut. Pyydä epäselvissä tilanteissa neuvoja jälleenmyyjältä. Huoneessa on oltava 1 m³ tilaa jokaista 8 grammaa laitteen sisällä olevaa R-600a-jäähdytysainetta kohden.
- Vältä ruokien kontaminoituminen noudattamalla seuraavia ohjeita:
 - Oven pitäminen pitkään auki voi nostaa laitteen sisäosien lämpötilaa huomattavasti.
 - Puhdista säännöllisesti ruokia koskettavat pinnat ja kaikki vedenpoistokohdat.
 - Puhdista vesisäiliöt, jos niitä ei ole käytetty 48 tuntiin: huuhtele vedensyöttöön liitetty vesijärjestelmä, jos vettä ei ole laskettu 5 päivään.
 - Säilytä raakaa lihaa ja kalaa sopivissa astioissa jääkaapissa, jotta se ei päädy kosketuksiin muiden ruokien kanssa.

- Kahden tähden pakastuslokerot sopivat valmiiksi jäädytetyn ruoan säilyttämiseen, jäätelön tekemiseen ja säilyttämiseen sekä jääpalojen tekemiseen.
 - Yhden, kahden ja kolmen tähden lokerot eivät sovellu tuoreen ruoan jäädyttämiseen.
 - Jos kylmälaite jätetään tyhjäksi pitkähköksi ajaksi, katkaise sen virta, sulata, puhdista ja kuivaa se ja jätä ovi auki, jotta laitteen sisälle ei pääse muodostumaan hometta.
- Älä käytä monipistorasioita tai kannettavia virtalähteitä laitteen takana.
 - Käytä laitteessa vain juomakelpoista vettä.
 - Vesiliitântä on yhdistettävä juomakelpoiseen veteen.
 - Pidä laitteen omat tai asennuskalusteen ilmanvaihtoaukot vapaina.
 - Älä yritä nopeuttaa sulatusprosessia millään mekaanisilla laitteilla tai muillakaan sellaisilla tavoilla, joita valmistaja ei ole erikseen suositellut.
 - Varo vaurioittamasta laitteen jäähdytyspiiriä.
 - Älä käytä laitteen ruoansäilytystiloissa mitään muita kodinkoneita, elleivät ne ole valmistajan suosittelemaa tyyppiä.

Tärkeitä varotoimenpiteitä



Varoitus;
tulipalonvaara/
herkästi syttyvät
aineet

VAROITUS

- Varmista, että virtajohto ei ole tarttunut mihinkään tai vaurioitunut, kun asetat laitteen paikalleen.

- Tätä laitetta ei ole tarkoitettu fyysisesti tai psyykkisesti rajoittuneiden eikä kokemattomien henkilöiden (esim. lasten) käytettäväksi, ellei heidän turvallisuudestaan vastaava henkilö ole läsnä tai opastanut heitä käyttämään laitetta oikein.
- Tätä laitetta saavat käyttää yli 8-vuotiaat lapset sekä fyysisesti tai psyykkisesti rajoittuneet ja kokemattomat henkilöt, jos käyttöä valvotaan tai jos heille on annettu ohjeet laitteen turvalliseen käyttöön ja he ymmärtävät käyttöön liittyvät vaarat. Lapset eivät saa leikkiä laitteella. Lapset eivät saa puhdistaa tai ylläpitää laitetta ilman valvontaa. 3–8-vuotiaat lapset saavat asettaa tuotteita kylmälaitteisiin ja poistaa tuotteita niistä.
- Jos laitteen virtajohto on vaurioitunut, valmistajan, sen valtuuttaman huoltoliikkeen tai muun pätevän ammattilaisen on vaihdettava johto, jotta vaaratilanteilta voitaisiin välttyä.
- Pistorasian on oltava käden ulottuvilla, jotta laite voidaan hätätilanteessa irrottaa nopeasti sähköverkosta.
 - Se ei saa olla laitteen takana.
- Älä säilytä tässä laitteessa räjähtäviä aineita, kuten aerosolipakkauksia, joissa on tulenarkaa ponneainetta.
- Jos käyttämässäsi laitteessa on LED-valo, älä pura lampun suojusta ja LED-valoa itse.
 - Ota yhteyttä Samsungin huoltoon.
 - Käytä vain valmistajan tai sen huoltoliikkeen toimittamia LED-valoja.
- Vanhojen letkujen sijaan on käytettävä laitteen mukana tulevia uusia letkuja.

- Jääkaapin vesiliitântä on yhdistettävä juomakelpoiseen veteen. Jotta jääpalakone toimisi oikein, vedenpaineen on oltava 206–861 kPa (30–125 psi).
 - Jotta laite hyödyntäisi kuluttamansa energian mahdollisimman tehokkaasti, kaikki sen sisällä olevat osat, esimerkiksi laatikot, lokerot ja hyllyt, tulisi pitää niissä paikoissa, joissa ne toimitettaessa olivat.
 - Laite toimii energiatehokkaimmalla tavalla, jos jätät kaikki hyllyt, laatikot ja korit alkuperäisille paikoilleen.
- majatalotyyppisiin ympäristöihin
 - pitopalveluille ja muuhun ei-vähittäiskauppakäyttöön.

VAROITUS

- Tässä laitteessa on pieni määrä isobutaanijäähdytysainetta (R-600a). Se on ympäristöystävällinen kaasu, mutta syttyy kuitenkin helposti palamaan. Laitetta on kuljetettava ja se on asennettava varovasti, jotta mitkään jäähdytyspiirin osat eivät vaurioituisi.
- Älä säilytä jääkaapissa tulenarkoja tai helposti syttyviä materiaaleja tai aineita (bentseeniä, ohentimia, propaanikaasua, alkoholia, eetteriä, nestekaasua tms.).
- Jääkaappi on tarkoitettu vain ruoan säilyttämiseen.
- Seurauksena saattaa olla tulipalo tai räjähdys.

Tämä laite on tarkoitettu kotitalouskäyttöön ja sitä vastaaviin käyttötilanteisiin, esimerkiksi

- kauppojen, toimistojen ja muiden työpaikkojen henkilökunnan ruokailutiloihin
- maatiloille, hotellien ja motellien asiakkaille ja muihin asuintiloja vastaaviin ympäristöihin

- Käytä vesisäiliössä, jääpalalokerossa ja jääpaloissa vain juomakelpoista vettä (puhdistettua tai kivennäisvettä).
 - Älä lisää säiliöön teetä, mehua tai urheilujuomia, sillä ne voivat vaurioittaa jääkaappia.
- Jäähdytysaineena käytetään joko R-600a:ta tai R-134a:ta. Tarkista tarvittaessa laitteen takana olevasta kompressorikylistä tai jääkaapin sisällä olevasta tyypikilvestä, mitä jäähdytysainetta jääkaapissa käytetään. Jos jääkaappi sisältää helposti syttyvää kaasua (jäähdytysaine R-600a), pyydä turvalliset hävitysohjeet paikallisilta viranomaisilta.
- Kun hävität jääkaappia, irrota ovet sekä niiden tiivisteet ja salvat, jotta lapset tai eläimet eivät voisi jäädä loukkuun kaapin sisään. Lasten ei saa antaa leikkiä laitteella. Jos lapsi juuttuu laitteen sisään, hän voi satuttaa itsensä tai tukehtua kuoliaaksi.
 - Jos lapsi juuttuu laitteen sisään, hän voi saada vammoja tai tukehtua kuoliaaksi.
- Laitteen eristykseen on käytetty syklopentaania. Eristysmateriaalin kaasut edellyttävät erityiskäsittelyä, kun laite hävitetään. Pyydä ympäristön kannalta turvalliset hävitysohjeet paikallisilta viranomaisilta.
- Kahden tähden osioissa tai kahdella tähtimerkillä (※※) merkityillä alueilla lämpötila on hieman korkeampi kuin pakastimen muissa osissa. Kahden tähden osiot tai alueet perustuvat ohjeisiin ja olosuhteisiin.

Sähkö- ja elektroniikkalaiteromua koskevat ohjeet



Tuotteen turvallinen hävittäminen
(elektroniikka ja sähkölaitteet)

(Jätteiden lajittelua käyttävät maat)

Oheinen merkintä tuotteessa, lisävarusteissa tai käyttöohjeessa merkitsee, että tuotetta tai lisävarusteina toimitettavia sähkölaitteita (esim. laturia, kuulokkeita tai USB kaapelia) ei saa hävittää kotitalousjätteen mukana niiden käyttöön päätyttyä. Virheellisestä jätteenkäsittelystä ympäristölle ja terveydelle aiheutuvien haittojen välttämiseksi tuote ja lisävarusteet on eroteltava muusta jätteestä ja kierrätettävä kestävän kehityksen mukaista uusiokäyttöä varten.

Kotikäyttäjät saavat lisätietoja tuotteen ja lisävarusteiden turvallisesta kierrätyksestä ottamalla yhteyttä tuotteen myyneeseen jälleenmyyjään tai paikalliseen ympäristöviranomaiseen.

Yrityskäyttäjien tulee ottaa yhteyttä tavarantoimittajaan ja selvittää hankintasopimuksen ehdot. Tuotetta tai sen lisävarusteita ei saa hävittää muun kaupallisen jätteen seassa.

Lisätietoja Samsungin ympäristösitoumuksista ja tuotekohtaisista lainsäädännöllisistä velvollisuuksista (esim. REACH ja WEEE tai akut) on kestävää toimintaa koskevalla sivulla sivustossamme www.samsung.com

(Koskee vain Euroopassa ja Yhdistyneessä kuningaskunnassa myytäviä tuotteita)

Turvallisuusopas

KAIKKIEEN OHJEIDEN LUKEMINEN ENNEN KÄYTTÖÄ

Seuraavien turvallisuusohjeiden tarkoituksena on ehkäistä laitteen turvattomasta tai virheellisestä käytöstä aiheutuvia odottamattomia riskejä tai vahingoittumisia.

Ohjeet on jaettu "VAROITUS"- ja "HUOMIO"-kohtiin alla kuvatulla tavalla.

Turvallisuusviestit

Tämä symboli ilmaisee asioita ja toimintoja, jotka saattavat olla riskialttiita. Lue tällä symbolilla varustettu osio huolellisesti ja noudata ohjeita vaaran välttämiseksi.

⚠ VAROITUS

Tämä ilmaisee, että ohjeiden noudattamatta jättäminen voi aiheuttaa vakavan vamman tai kuoleman.

⚠ HUOMIO

Tämä ilmaisee, että ohjeiden noudattamatta jättäminen voi aiheuttaa lieviä vammoja tai tuotevaurioita.

⚠ VAROITUS

Pienentääksesi räjähdys-, tulipalon, kuoleman, sähköiskun, loukkaantumisen tai palovammojen riskiä tämän tuotteen käytön aikana noudata seuraavia perustason varotoimenpiteitä:

Asennus

- Tätä laitetta saa kuljettaa vain vähintään kaksi henkilöä, jotka pitelevät laitetta tukevasti.
- Asenna laite lujalle ja tasaiselle lattialle.
- Älä asenna laitetta kosteaan ja pölyiseen paikkaan. Älä asenna tai säilytä laitetta ulkotiloissa tai alueilla, jotka altistuvat sääolosuhteille, kuten suoralle auringonvalolle, tuulelle, sateelle tai pakkaselle.
- Älä altista laitetta suoralle auringonvalolle tai muista laitteista, kuten uuneista tai lämmittimistä säteilevälle lämmölle.
- Varo, ettei laitteen takaosa paljastu asennuksen aikana.
- Asenna laite paikkaan, jossa laitteen pistoke on helppo irrottaa.
- Varo, ettei laitteen ovi putoa kokoamisen tai purkamisen aikana.

- Varo puristamasta, rikkomasta tai vahingoittamasta virtajohtoa laitteen luokun kokoamisen tai purkamisen aikana.
- Varo, ettet osoita verkkopistoketta ylöspäin tai anna laitteen nojata verkkopistoketta vasten.
- Älä liitä pistokesovitinta tai muita lisävarusteita verkkopistokkeeseen.
- Älä muokkaa tai pidennä virtajohtoa.
- Varmista, että pistorasia on asianmukaisesti maadoitettu ja että virtajohdon maadoitusliitin ei ole vaurioitunut tai irti pistorasiasta. Lisätietoja maadoituksesta on saatavilla Samsung Electronicsin palvelukeskuksesta.
- Tässä laitteessa on virtajohto, jossa on maadoitusjohto ja maadoitettu pistoke. Virtapistoke on kytkettävä asianmukaiseen pistorasiaan, joka on asennettu ja maadoitettu kaikkien paikallisten sääntöjen ja määräysten mukaisesti.
- Älä milloinkaan käynnistä laitetta, jos se näyttää olevan jotenkin vaurioitunut. Pyydä epäselvissä tilanteissa neuvoja jälleenmyyjältä.
- Älä kytkä laitetta pistorasiaan, jossa ei ole virtajohtoa (kiinnitetty).
- Laite on kytkettävä erilliseen virtajohtoon, joka on erikseen suojattu.
- Älä käytä pistorasiaa, jota ei ole asianmukaisesti maadoitettu (kannettava). Jos käytät oikein maadoitettua monipaikkaista pistorasiaa (kannettavaa), käytä sellaista monipaikkaista pistorasiaa, jonka virtakapasiteetti vastaa virtajohdon nimellisarvoa tai on sitä suurempi, ja käytä monipaikkaista pistorasiaa vain laitteelle.
- Hävitä kaikki pakkausmateriaalit (kuten muovipussit ja styroform) niin, että lapset eivät pääse niihin käsiksi. Pakkausmateriaalit voivat aiheuttaa tukehtumisen.

Toiminto

- Varo lähellä olevia lapsia, kun avaat tai suljet laitteen ovea. Ovi voi osua lapseen ja aiheuttaa loukkaantumisen.
- Varmista, ettei lapsia jää loukkuun laitteen sisään. Laitteen sisään jäänyt lapsi voi tukehtua.

HUOMIO

Vähentääksesi henkilövahinkojen, toimintahäiriöiden tai tuote- tai omaisuusvahinkojen riskiä tämän tuotteen käytön aikana noudata seuraavia varotoimia:

Toiminto

- Älä koske pakastimessa oleviin pakastettuihin elintarvikkeisiin tai pakastimen metalliosiin märillä tai kosteilla käsillä. Voit saada paleltuman.
- Älä aseta lasiastioita, pulloja tai tölkkejä (etenkään hiilihappopitoisia juomia sisältäviä) pakastinlokeroon, hyllyille tai jääsäiliöön, jotka altistuvat jäätymispisteen alla oleville lämpötiloille.
- Laitteen oven etupuolella tai hyllyillä oleva karkaistu lasi voi vaurioitua iskun voimasta. Jos se on rikki. Älä koske siihen käsin.
- Älä roiku laitteen ovista, säilytystilasta tai hyllystä tai kipeä laitteen päälle.
- Älä säilytä liikaa vesipulloja tai lisukkeille tarkoitettuja astioita ovihyllyillä.
- Älä avaa tai sulje laitteen ovea liiallisella voimalla.
- Jos laitteen oven sarana on vaurioitunut tai toimii väärin, lopeta laitteen käyttö ja ota yhteys valtuutettuun huoltoliikkeeseen.
- Estä eläimiä pureskelemasta virtajohtoa tai vesiletkeä.
- Älä koskaan syö pakastettuja elintarvikkeita heti sen jälkeen, kun ne on otettu pakastelokerosta.
- Varmista, että käsi tai jalka ei jää jumiin avatessasi tai sulkiessasi laitteen ovea tai ovessa olevaa ovea.

Huolto

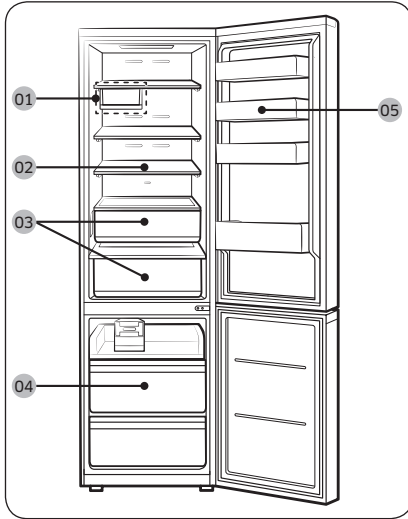
- Älä puhdista lasihyllyjä tai -suojuksia lämpimällä vedellä niiden ollessa kylmiä. Ne voivat rikkoutua, jos ne altistuvat äkillisille lämpötilan vaihteluille.
- Älä aseta hyllyjä ylösalaisin. Hyllyt voivat pudota.
- Jos haluat poistaa huurteen laitteesta, ota yhteyttä Samsung Electronicsin palvelukeskukseen.
- Hävitä pakastinlokeron jääsäiliössä oleva jää pidemmän sähkökatkon aikana.

Asennus

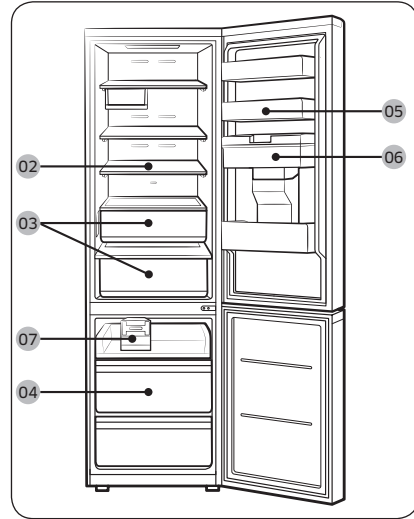
Jääkaapin kuvaus

Jääkaapin mukana toimitetut osat saattavat mallista tai käyttömaasta riippuen olla erilaisia kuin tämän oppaan kuvissa.

Normaali tyyppi



Annostelijatyyppi



01 Monikäyttölokero *

02 Jääkaapin hylly/taitettava hylly *

03 Vihanneslokeri *

04 Pakastelokeri

05 Jääkaapin ovilokeri

06 Vesisäiliö **

07 Käännettävä jääpalakone *

* Vain soveltuvissa malleissa.

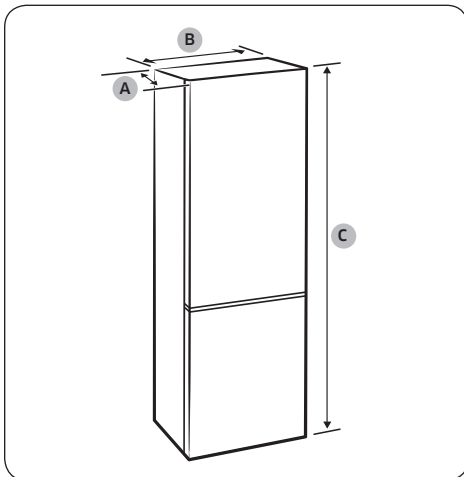
** Vain annostelijatyyppisissä malleissa

HUOM.

- Energiatehokkuussyistä hyllyt, lokerot ja laatikot tulee säilyttää alkuperäisillä paikoillaan.
- Jos tarvitset lisää tilaa, voit poistaa kaikki lokerot ja käyttää pakastimen alalokerossa olevaa pakastinhyllyä (vain soveltuvissa malleissa). Poistaminen ei vaikuta laitteen lämpötilaan tai mekaanisiin ominaisuuksiin. Ilmoitettu pakastustilan määrä on laskettu ilman lokeroita.

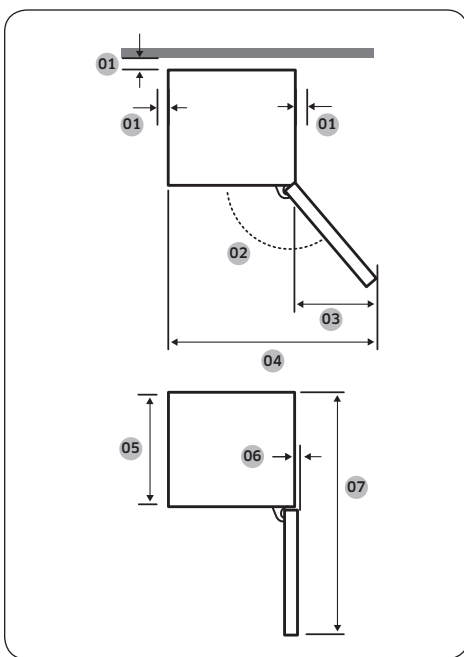
Vapaa tila

Tarkista asennuksen tilavaatimukset seuraavista kuvista ja taulukoista.



Malli	RB45**	RB50**	RB53**
Syvyys "A"	711		
Leveys "B"	759		
Kokonaiskorkeus "C"	1780	1920	2030

(yksikkö: mm)



01	yli 50 mm suositellaan
02	Jääkaappi: 115°, Pakastin: 120°
03	551
04	1151
05	626
06	32
07	1406

(yksikkö: mm)

HUOM.

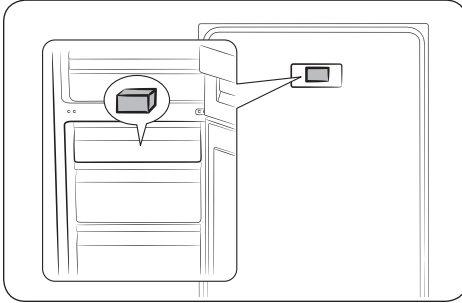
Yllä olevassa taulukossa mainitut mitat voivat mitta- ja pyöristystavoista riippuen poiketa hieman laitteen todellisista mitoista.

Vaiheittainen asennus

VAIHE 1 Väläkappaleet (vain soveltuviissa malleissa)

HUOM.

Toimitettujen väläkappaleiden määrä riippuu mallista. Kiinnitä kaikki toimitetut väläkappaleet.



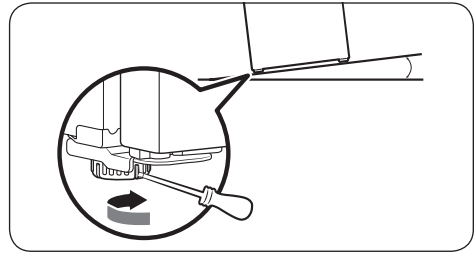
1. Avaa ovi ja paikanna laitteen mukana toimitettu väläkappale (harmaa palkki).
2. Avaa väläkappaleen pakkaus ja kiinnitä kappale jääkaapin taakse kuvassa näytetyllä tavalla. Kappaleet helpottavat takaseinän ilmanvaihtoa ja säästävät sähköä.

VAIHE 2 Säätojalkojen säätäminen

HUOMIO

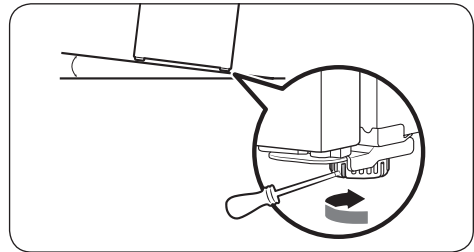
- Jääkaappi on tasapainotettava tasaiselle, kestäväälle lattialle. Jos et noudata tätä ohjetta, jääkaappi voi vaurioitua tai aiheuttaa henkilövahinkoja.
- Jääkaapin on oltava tyhjä tasapainottamisen aikana. Varmista, ettei jääkaapin sisällä ole ruokaa.
- Säädä etuosa turvallisuussyistä hieman takaosaa korkeammalle.

Jääkaappi voidaan tasapainottaa käyttämällä etujaloissa olevaa tasapainotusruuvia (säädintä). Tee tasapainotus litteäpäisellä ruuvimeisselillä.



Vasemman puolen korkeuden säätäminen:

Aseta litteäpäinen ruuvimeisseli vasemman puolen etujalan säätimeen. Voit nostaa korkeutta kääntämällä säädintä myötäpäivään ja laskea sitä kääntämällä säädintä vastapäivään.

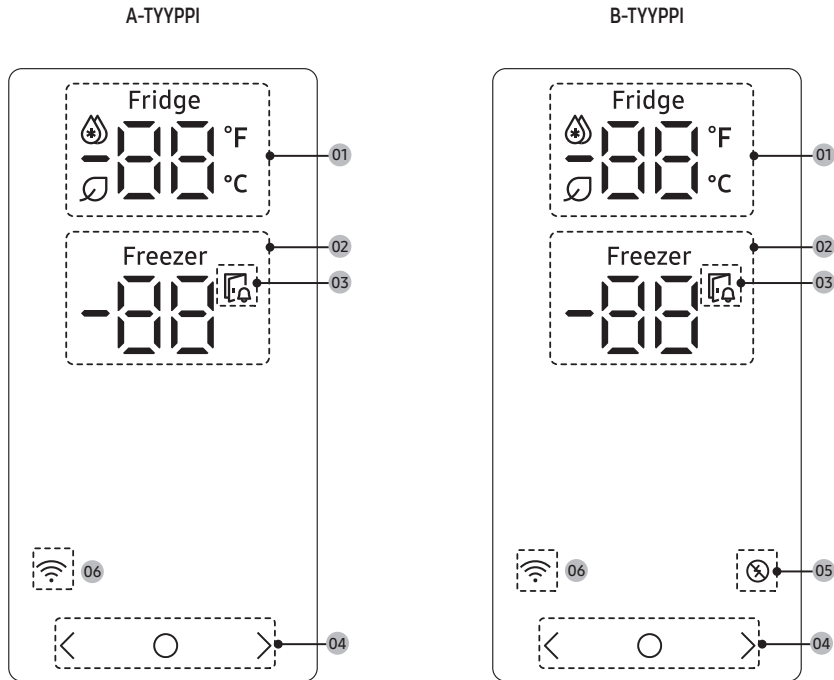


Jääkaapin oikean puolen korkeuden säätäminen:

Aseta litteäpäinen ruuvimeisseli oikean puolen etujalan säätimeen. Voit nostaa korkeutta kääntämällä säädintä myötäpäivään ja laskea sitä kääntämällä säädintä vastapäivään.

Toiminnot

Pääpaneeli



01 Jääkaappi -merkkivalo	<ul style="list-style-type: none"> Näyttää jääkaapin nykyisen tai asetetun lämpötilän. 🌡️ ilmaisee, että Tehojäähdytys -toiminto on päällä. 🌿-kuvake ilmestyy näkyviin, jos otat AI Energy Mode -tilan käyttöön SmartThings-sovelluksessa. (vain soveltuviissa malleissa)
02 Pakastin -merkkivalo	<ul style="list-style-type: none"> Näyttää pakastimen nykyisen tai asetetun lämpötilän. ❄️ ilmaisee, että Tehopakastus -toiminto on päällä.
03 Ovi avoinna -merkkivalo	Kuulet äänimerkin ja tämä merkkivalo vilkkuu, jos ovi on auki yli kaksi minuuttia.
04 Painikkeet	<ul style="list-style-type: none"> Kun näyttö on sammuneena, napauta mitä tahansa painiketta herättääksesi sen. Käytä painiketta ○ valitaksesi jääkaapin tai pakastimen ja painiketta < tai > valitaksesi halutun lämpötilan tai toiminnon valittuna olevalle osastolle.

05 Kysyntähuippu -ilmaisain *	<ul style="list-style-type: none"> Näyttää Kysyntähuippu -toiminnon tilan. Katso lisätietoja Kysyntähuippu -toiminnosta käyttöoppaasta tai Samsungin verkkosivustolta.
06 Verkkoyhteys -merkkivalo	<ul style="list-style-type: none"> Tämä kuvake ilmaisee, että jääkaappi on yhdistetty verkkoon. Jos Wi-Fi-kuvake vilkkuu, suosittelemme, että yhdistät jääkaappisi SmartThings-sovellukseen. Voit hallita ja valvoa jääkaappia SmartThings-sovelluksella. Saat lisätietoja osiosta SmartThings.

HUOM.

Jos ovi on auki 5 minuuttia, sisävalo vilkkuu 5 sekuntia ja sammuu sitten. Näin ilmoitetaan kuulovammaisille käyttäjille, että laitteen ovi on auki. Tämä on osa laitteen normaalia toimintaa.

SmartThings

Asennus

Etsi SmartThings-sovellus Google Play Store-, Galaxy Apps- tai Apple App Store -sovelluskaupasta. Lataa ja asenna älylaitteille tarkoitettu, Samsung Electronicsin toimittama SmartThings-sovellus.

HUOM.

- Tuettu SmartThings-sovelluksen ohjelmistoversio voi muuttua valmistajan tarjoaman OS-tukikäytännön mukaisesti. SmartThings-sovelluksen tai sovelluksen tukemien toimintojen lisäksi olemassa olevan OS-version sovelluksen uusien päivitysten käytäntö voidaan keskeyttää käytettävyyden tai turvallisuussyistä.
- SmartThings-sovellus voi muuttua ilmoittamatta käytettävyyden tai suorituskyvyn parannuksia varten. Koska matkapuhelimen OS-versio päivitetään vuosittain, SmartThings-sovellustakin päivitetään jatkuvasti uusimman OS-version mukaisesti. Jos sinulla on kysyttävää aiemmin mainituista kohdista, ota meihin yhteyttä lähettämällä viesti osoitteeseen st.service@samsung.com.
- Suositteluja salausjärjestelmiä ovat WPA/TKIP ja WPA2/AES. Uudempia tai standardoimattomia Wi-Fi-todennusprotokollia ei tueta.
- Ympäröivä langattomien yhteyksien ympäristö voi vaikuttaa langattomiin verkkoihin.
- Jos internetpalveluntarjoajasi on rekisteröinyt PC:si tai modeemisi MAC-osoitteen tunnistamista varten, Samsung Smart -jääkaappisi ei välttämättä saa yhteyttä internetiin. Jos näin käy, pyydä teknistä tukea internetpalveluntarjoajaltasi.
- Verkköjärjestelmäsi palomuuriasetukset voivat estää Samsung Smart -jääkaappia muodostamasta yhteyttä internetiin. Pyydä teknistä tukea internetpalveluntarjoajaltasi. Jos ongelma jatkuu, ota yhteyttä paikalliseen Samsungin huoltoon tai jälleenmyyjään.
- Tee langattoman tukiaseman asetukset sen (reitittimen) käyttöoppaan ohjeiden mukaisesti.
- Samsung Smart -jääkaapit tukevat 2,4 GHz:n Wi-Fi-yhteyden IEEE 802.11 b/g/n- ja Soft-AP-protokollia. (Suosittelemme protokollaa IEEE 802.11 n.)
- Valtuuttamattomat langattomat Wi-Fi-reitittimet eivät välttämättä pysty muodostamaan yhteyttä Samsung Smart -jääkaappeihin.

Samsung-tili

Sinun on rekisteröitävä Samsung-tilisi voidaksesi käyttää sovellusta. Jos sinulla ei ole Samsung-tiliä, noudata sovelluksen näytöllä annettuja ohjeita ja luo ilmainen Samsung-tili.

Aloittaminen

Käynnistä yhdistettävä laite, avaa SmartThings-sovellus puhelimesiasi ja noudata alla olevia ohjeita.

Jos esiin ilmestyy viesti-ikkuna, jossa ilmoitetaan uuden laitteen löytymisestä, napauta kohtaa **ADD NOW (LISÄÄ NYT)**.

Jos viesti-ikkuna ei avaudu, napauta **+**-painiketta ja valitse yhdistettävä laite käytettävissä olevien laitteiden luettelosta.

Jos laitteesi ei ole käytettävissä olevien laitteiden luettelossa, napauta kohtaa **Supported Devices (Tuetut laitteet)** ja valitse laitemalli.

Määritä laitteen asetukset sovelluksessa annettujen ohjeiden mukaisesti. Kun asetukset on määritetty, jääkaappisi näytetään "korttina" **Devices (Laitteet)** -näytössä.

Jääkaappisovellus

Integroitu hallinta

Voit valvoa ja hallita jääkaappia sekä kotona että kodin ulkopuolella.

- Napauta SmartThings-koontinäytössä näytettyä jääkaappikuvaketta tai koontinäytön alaosassa olevaa Laitteet-kuvaketta ja avaa jääkaappisivu napauttamalla jääkaapin "korttia".
- Tarkista toimintatila tai jääkaappiin liittyvät ilmoitukset ja muuta valintoja tai asetuksia tarvittaessa.

HUOM.

Jääkaapin jotkin valinnat tai asetukset eivät välttämättä ole käytettävissä etäohjauksen kautta.

Huolto

Puhdistaminen

Sisä- ja ulkopinnat

VAROITUS

- Älä käytä bentseeniä, ohennetta, kodinpuhdistusainetta, autonpesuainetta tai Cloroxia™ jääkaapin puhdistamiseen. Ne voivat vaurioittaa jääkaapin pintaa ja aiheuttaa tulipalon.
- Älä suihkuta jääkaapin päälle vettä. Tämä voi aiheuttaa sähköiskun.

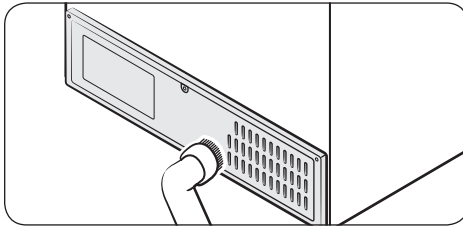
Puhdista pistokkeen navoista ja liitäntäkohdista kaikki niihin kuulumattomat aineet (esimerkiksi pöly tai vesi) säännöllisesti kuivalla liinalla.

1. Irrota virtajohto pistorasiasta.
2. Käytä kostutettua, pehmeää ja nukkaantumaton liinaa tai paperipyyhettä jääkaapin sisä- ja ulkopintojen puhdistamiseen.
3. Kuivaa lopuksi pinnat huolellisesti kuivalla liinalla tai paperipyyhkeellä.
4. Kytke virtajohto pistorasiaan.

Kumitiivisteet

Jos oven kumitiivisteet likaantuvat, ovi ei saata sulkeutua kunnolla, jolloin jääkaapin suorituskyky ja teho heikkenevät huomattavasti. Puhdista kumitiivisteet miedolla pesuaineella ja kostealla liinalla. Pyyhi ne sen jälkeen huolellisesti kuiviksi.

Takapaneeli



Pidä johdot ja taustapaneelin näkyvillä olevat osat puhtaina. Imuroi paneeli kerran tai kaksi vuodessa.

HUOMIO

Älä irrota takana olevaa paneelinsuojusta. Voit saada sähköiskun.

LED-valot

Kun jääkaapin valot täytyy vaihtaa, ota yhteyttä paikalliseen Samsungin huoltoon.

VAROITUS

Valot eivät ole käyttäjien vaihdettavissa. Älä yritä vaihtaa valoa itse. Tämä voi aiheuttaa sähköiskun.

Lamppu (valonlähde)

Tämä tuote sisältää valonlähteen, jonka energiatehokkuusluokka on <G>.

Lamppu ja/tai valotehokkuus eivät ole käyttäjien vaihdettavissa. Kun tuotteen lamppu ja/tai valotehokkuus täytyy vaihtaa, ota yhteyttä lähimpään Samsungin huoltoliikkeeseen.

Saat tarkat ohjeet tuotteesi lampun tai valotehokkuuden vaihtamiseen Samsungin verkkosivustosta (<http://www.samsung.com>) siirtymällä kohtaan Support (Tuki) > Support home (Tuen aloitussivu) ja antamalla sitten laitemallisi nimen.

Saat tarkat ohjeet lampun irrottamiseen tai valotehokkuuden poistoon noudattamalla yllä mainitussa sijainnissa annettuja vaihto-ohjeita.

Avointa lähdekoodia koskeva ilmoitus

Tähän tuotteeseen sisältyvä ohjelmisto sisältää avoimen lähdekoodin ohjelmistoa. Lähdekoodi on saatavilla kokonaisuudessaan kolmen vuoden ajan tuotteen viimeisestä toimituksesta. Jos haluat soveltuvan lähdekoodin, ota yhteyttä tukitiimiimme osoitteessa <http://opensource.samsung.com> (käytä "Inquiry"-valikkoa).

Lähdekoodin voi pyytää toimittamaan myös fyysisellä tietovälillä, kuten CD-ROM-levyllä; pyynnöstä veloitetaan pieni maksu.

Tähän tuotteeseen liittyvät avoimen lähdekoodin lisenssitiedot voi avata seuraavan URL-osoitteen kautta: http://opensource.samsung.com/opensource/Common_TZ6_0/seq/0. Tämä tarjous on voimassa kaikille tämän tiedon vastaanottajille.

Liite

Turvallisuusohje

- Jotta laite hyödyntäisi kuluttamansa energian mahdollisimman tehokkaasti, kaikki sen sisällä olevat osat, esimerkiksi laatikot, lokerot, hyllyt ja jääpalalokero, tulisi pitää niissä paikoissa, joissa ne toimitettaessa olivat.
- Tätä kylmälaitetta ei ole tarkoitettu käytettäväksi kaapistoon asennettavana kodinkoneena.

Asennusohje

Ilmastoluokitellut kylmälaitteet

Tämä kylmälaitte on tarkoitettu käytettäväksi seuraavassa taulukossa ilmoitetulla ilmastoluokkansa mukaisella ympäristölämpötila-alueella.

Ilmastoluokan voi tarkistaa arvokilvestä. Jos lämpötila on ilmoitetun alueen ulkopuolella, tuote ei välttämättä toimi oikein.

Ilmastoluokka on merkitty jääkaapin sisäpuolella olevaan tarraan.

Tehokkaat lämpötilarajat

Jääkaappi on suunniteltu toimimaan normaalisti luokituksensa mukaisissa lämpötilarajoissa.

Luokka	Merkki	Ympäristön lämpötilarajat (°C)	
		IEC 62552 (ISO 15502)	ISO 8561
Erittäin lauhkea	SN	+10–+32	+10–+32
Lauhkea	N	+16–+32	+16–+32
Subtrooppinen	ST	+16–+38	+18–+38
Trooppinen	T	+16–+43	+18–+43

HUOM.

Ympäristön lämpötila, ovien avaamistiheys ja jääkaapin sijoituspaikka saattavat vaikuttaa jääkaapin jäähdytyskykyyn ja virrankulutukseen. Suosittelemme tarvittaessa säätämään lämpötilaa.

Lämpötilaohje

Suosittelut lämpötila

Ihanteellinen säilytyslämpötila-asetus:

- Jääkaappi: 3 °C
- Pakastin: -19 °C

HUOM.

Kunkin osaston optimaalinen lämpötila-asetus määräytyy ympäristön lämpötilan mukaan. Optimaalisen lämpötilan yläpuolella perustuu 25 °C:n ympäristön lämpötilaan.

Tehojäähdytys

Tehojäähdytys nopeuttaa jäähdytystä käyttämällä suurinta puhallinnopeutta. Jääkaappi käy täydellä puhallinnopeudella kaksi ja puoli tuntia ja palaa sen jälkeen takaisin aiempaan lämpötilaansa.

Tehopakastus

Tehopakastus nopeuttaa pakastusta käyttämällä suurinta puhallinnopeutta. Pakastin käy täydellä puhallinnopeudella 50 tuntia ja palaa sen jälkeen aiempaan lämpötilaansa. Jos haluat pakastaa suuren määrän ruokaa, ota Tehopakastus käyttöön vähintään 20 tuntia ennen pakastamista.

HUOM.

Kun käytät tätä toimintoa, jääkaapin energiankulutus kasvaa. Muista ottaa toiminto pois päältä ja palauttaa pakastin takaisin haluamaasi lämpötilaan, kun et enää tarvitse sitä.

Säilymisen kannalta parhaat säilytystavat (vain soveltuvat mallit)

Peitit ruoat, jotta ne pysyisivät kosteina ja jottei niihin tarttuisi hajua muista ruoista. Suuret astiat, joissa on esimerkiksi keittoa tai muhennosta, tulisi jakaa pienempiin annoksiin mataliin astioihin ennen niiden siirtämistä jääkaappiin. Suuret lihapalat tai kokonainen kana tulisi leikata pienemmiksi tai jakaa mataliin astioihin ennen niiden siirtämistä jääkaappiin.

Ruokien paikat

Hyllyt	Hyllyjen tulisi olla säädettävissä erilaisten pakkausten koon mukaisesti.
Erikoislokero (vain soveltuvissa malleissa)	Tiivistetyissä vihanneslokerossa on ihanteelliset säilytysolosuhteet hedelmille ja vihanneksille. Vihannekset edellyttävät tavallista enemmän kosteutta ja hedelmät taas vähemmän. Vihanneslokerossa on hallintalaitteet kosteustason säätämiseen. (* Riippuu mallista ja valituista ominaisuuksista.) Lämpötilansäädöllä varustettu lihalokero maksimoi lihan ja juustojen säilytysajan.
Ovessa säilyttäminen	Älä säilytä helposti pilaantuvia ruokia ovessa. Munat tulisi säilyttää hyllyllä myyntipakkauksessaan. Oven säilytyslokeroiden lämpötila vaihtelee enemmän kuin kaapin sisällä. Pidä ovi mahdollisimman paljon suljettuna.
Pakastinpuoli	Pakastimessa voit säilyttää pakasteita, valmistaa jääpaloja ja pakastaa tuoreita elintarvikkeita.

HUOM.

Pakasta vain tuoreita ruokia. Pidä pakastettavat ruoat erillään jo pakastetuista ruoista. Käytä pakasteille ilmatiiviitä rasioita, jotta ruoan maku ei häviäisi eikä ruoka kuivuisi.

Jääkaapin ja pakastimen säilytysaikataulukko

Tuoreena säilyminen riippuu lämpötilasta ja kosteudelle altistumisesta. Koska tuotteissa olevat päivämäärät eivät toimi ohjeena tuotteiden turvalliseen käyttöön, noudata näitä vinkkejä ja käytä tätä taulukkoa viitteenä.

Tuote		Jääkaappi	Pakastin
Maitotuotteet	Maito	1 viikko	1 kuukausi
	Voi	2 viikkoa	12 kuukautta
	Tuorejuusto	2 viikkoa	Ei suositella
Liha	Tuoreet paistit, pihvit ja kyljykset	3-4 päivää	2-3 kuukautta
	Makkarat; raaka porsas, nauta ja kalkkuna	1-2 päivää	1-2 kuukautta
Linnunliha/munat	Tuore linnunliha	2 päivää	6-8 kuukautta
	Munat tuoreina kuorissaan	2-4 viikkoa	Ei suositella
Kala/äyriäiset	Tuore kala	1-2 päivää	3-6 kuukautta
	Kuivattu tai säilykekala	3-4 viikkoa	-
Hedelmät	Omenat	1 kuukausi	-
	Muut tuoreet hedelmät	3-5 päivää	9-12 kuukautta
Vihannekset	Parsa	2-3 päivää	-
	Parsakaali, ruusukaali, herneet ja sienet	3-5 päivää	-
	Kaali, kukkakaali, selleri, kurkku ja lehtisalaatti	1 viikko	-
	Porkkana, retiisi ja juurikkaat	2 viikkoa	-

Tiedot mallista ja varaosien tilaamisesta

Mallitiedot

Jos haluat lukea tämän tuotteen energiamerkintätiedot EPREL (European Product Registry for Energy Labelling) -tietokannasta, skanna energiamerkinnässä oleva QR-koodi.

Löydät QR-koodin tuotepakkauksen energiamerkinnästä.

Osatiedot

- Vähimmäisjakso, jonka ajan laitteen korjaamiseen tarvittavia varaosia on saatavilla:
 - 7 vuotta: termostaatit, lämpötilantunnistimet, painetut piirilevyt ja valonlähteet, ovenkahvat, oven saranat, telineet, laatikot (rasiat ja lokerot)
 - 10 vuotta: oven tiivisteet.
- Valmistajan kylmälaitteelle tarjoaman takuun vähimmäiskesto on 24 kuukautta.
- Tiedot varaosien tilaamisesta suoraan tai muiden valmistajan, maahantuojan tai valtuutetun edustajan tarjoamien kanavien kautta:
- Tietoa ammattikorjauksesta on osoitteessa <http://samsung.com/support>. Käyttäjän huolto-opas on saatavilla osoitteessa <http://samsung.com/support>.

HUOM.

Samsung täten vakuuttaa, että tämä radiolaitte noudattaa direktiiviä 2014/53/EU ja Yhdistyneen kuningaskunnan soveltuvia lakimääräisiä vaatimuksia.

EU:n vaatimustenmukaisuusvakuutus ja Yhdistyneen kuningaskunnan vaatimustenmukaisuusvakuutus ovat luettavissa kokonaisuudessaan seuraavassa osoitteessa: Virallinen vaatimustenmukaisuusvakuutus on osoitteessa <http://www.samsung.com>. Kirjoita laitteen mallin nimi kohtaan Support (Tuki) > Search Product Support (Etsi tuotetukea).

	Taajuusalue	Lähettimen teho (enintään)
Wi-Fi	2412 – 2472 MHz	20 dBm
Bluetooth	2402 – 2480 MHz	20 dBm

Ota yhteyttä SAMSUNG WORLD WIDE -palveluun

Jos sinulla on jotakin kysyttävää Samsungin tuotteista, ota yhteyttä SAMSUNGin asiakaspalveluun.

Maa	Asiakaspalvelu	Sivusto
FRANCE	01 48 63 00 00	www.samsung.com/fr/support
GERMANY	06196 77 555 77	www.samsung.com/de/support
LUXEMBURG	261 03 710	www.samsung.com/be_fr/support
NETHERLANDS	088 90 90 100	www.samsung.com/nl/support
BELGIUM	02-201-24-18	www.samsung.com/be/support (Dutch) www.samsung.com/be_fr/support (French)
NORWAY	21629099	www.samsung.com/no/support
DENMARK	707 019 70	www.samsung.com/dk/support
FINLAND	030-6227 515	www.samsung.com/fi/support
SWEDEN	0771-400 300	www.samsung.com/se/support
CYPRUS	8009 4000 only from landline, toll free	www.samsung.com/gr/support
GREECE	80111-SAMSUNG (80111 726 7864) only from land line (+30) 210 6897691 from mobile and land line	
ITALIA	800-SAMSUNG (800.7267864)	www.samsung.com/it/support
PORTUGAL	210 608 098 Chamada para a rede fixa nacional Dias úteis das 9h às 20h	www.samsung.com/pt/support
SPAIN	91175 0015	www.samsung.com/es/support



DA68-04780Q-00