



# RAZER KRAKEN V4 PRO

MASTER GUIDE

Experience immersion of the next generation with the **Razer Kraken V4 Pro**—a wireless RGB headset powered by Razer Sensa HD Haptics. Featuring an OLED control hub for maximum command at your fingertips, send your gaming into overdrive with the ultimate battlestation headset that can do it all.

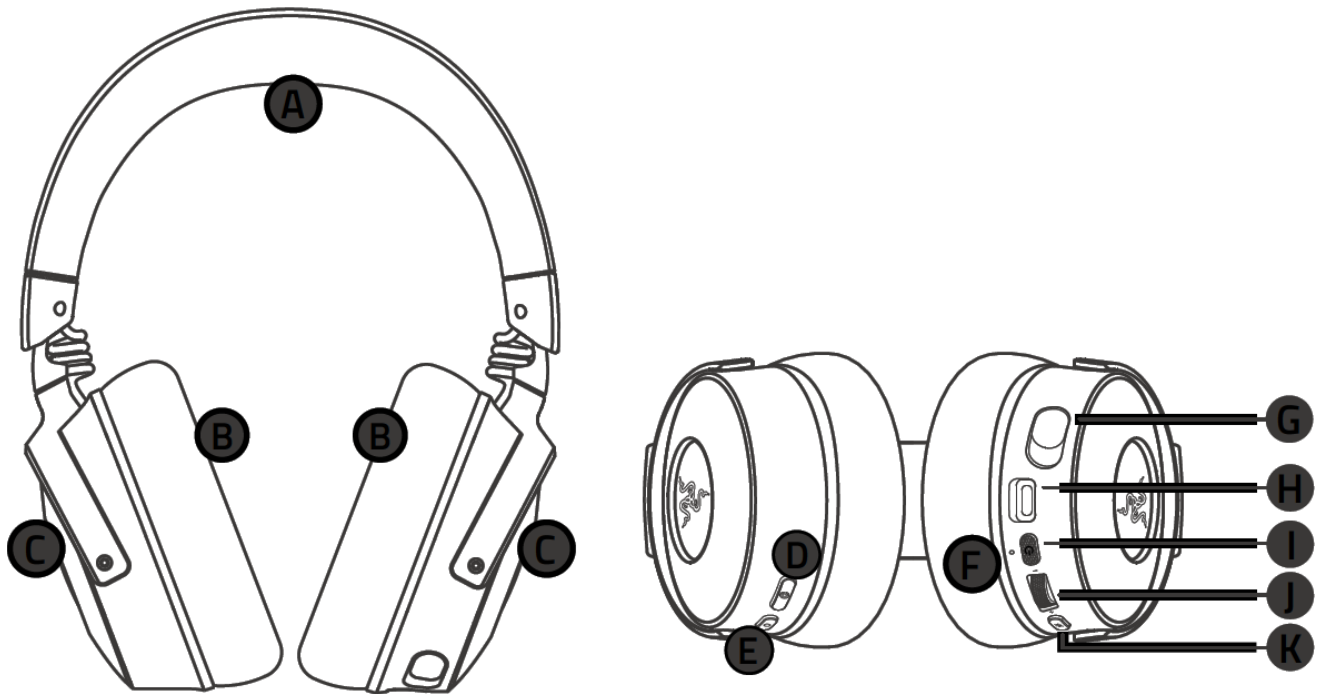
# CONTENTS

1. WHAT'S INSIDE.....	3
2. WHAT'S NEEDED.....	5
3. LET'S GET YOU COVERED.....	5
4. TECHNICAL SPECIFICATIONS.....	6
5. GETTING STARTED .....	7
6. USING YOUR RAZER KRAKEN V4 PRO .....	11
7. CONFIGURING YOUR RAZER HEADSET .....	16
8. SAFETY AND MAINTENANCE.....	35
9. LEGALESE .....	36

---

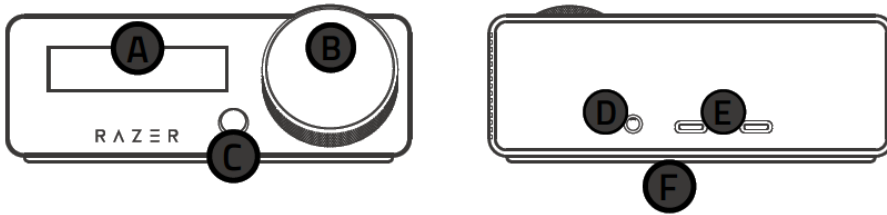
## 1. WHAT'S INSIDE

- Razer Kraken V4 Pro



- A.** Adjustable padded headband
- B.** Memory foam cushions
- C.** LED backlight Powered by Razer Chroma™ RGB
- D.** Sensa HD Haptics button
- E.** Multifunction button
  - Audio EQ
  - Mode Switch
  - Bluetooth Pairing
- F.** Status Indicator
- G.** Retractable Razer™ HyperClear super wideband mic
- H.** USB Type C port
- I.** Power button
- J.** Volume control wheel
- K.** Mic mute button

- OLED Control Hub



- A. OLED screen
- B. Control knob
- C. Mode button
- D. 3.5mm input port
- E. USB C input ports
  - PC
  - Console
- F. Non-slip rubber surface

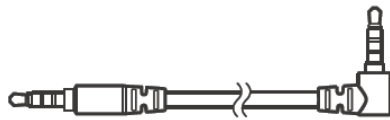
- USB Type A to Type C cable



- USB Type C to Type C cable



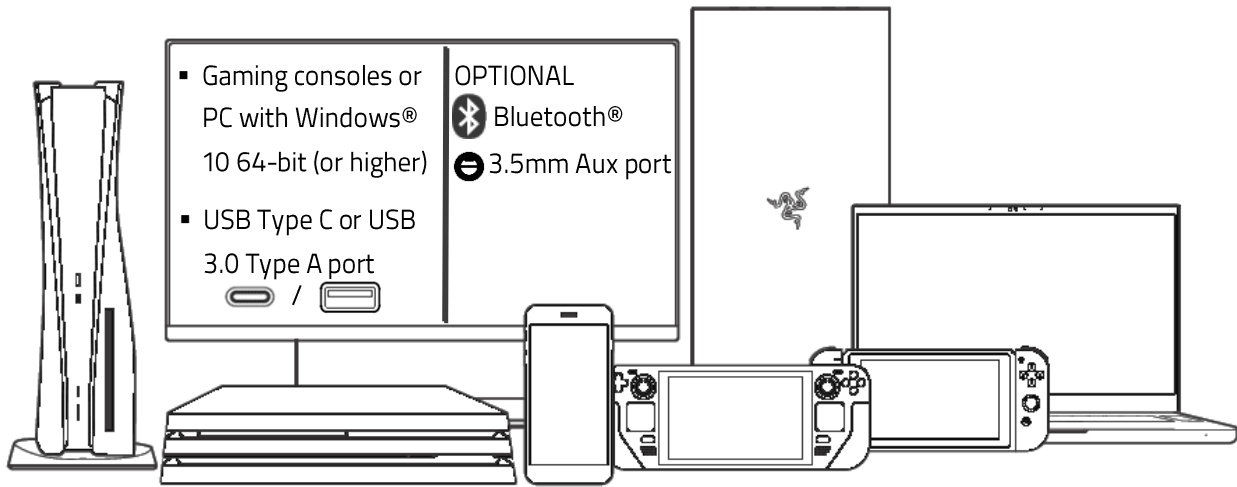
- 3.5mm Aux cable



- Important Product Information Guide

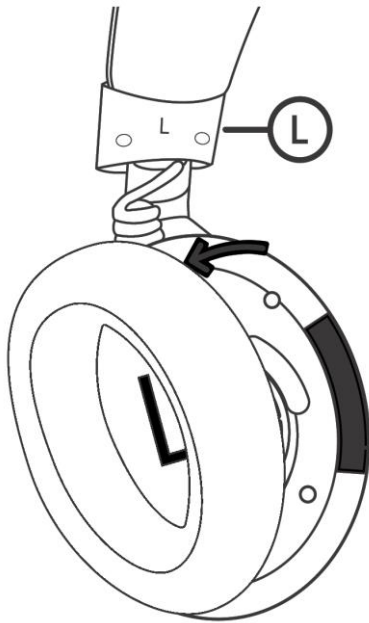
---

## 2. WHAT'S NEEDED



---

## 3. LET'S GET YOU COVERED



*Your product's serial number  
can be found here.*



Register your product and score exclusive benefits  
[razerid.razer.com/warranty](https://www.razerid.razer.com/warranty)

---

## 4. TECHNICAL SPECIFICATIONS

### FEATURES

#### Headphones

- Frequency response: 20 Hz – 28 kHz
- Impedance: 32  $\Omega$
- Sensitivity (@1 kHz): 98 dB SPL/mW at 1 kHz by HATS
- Drivers: Customized Dynamic Bio-cellulose 40 mm Drivers
- Inner ear cup diameter: 62 x 45 mm / 2.44 x 1.77 in
- Connection type: 2.4 GHz Wireless / Bluetooth / USB Wired / 3.5 mm
- Approx. weight: 397 g / 0.88 lbs
- Oval ear cushions: Protein Leatherette with Memory Foam Cushions

#### Microphone

- Frequency response: 100 Hz – 10 kHz
- Signal-to-noise ratio:  $\geq 60$  dB
- Sensitivity (@1 kHz):  $-42 \pm 3$  dBV/Pa, 1 kHz
- Pick-up pattern: Unidirectional

#### Control Hub

- Input: 2x USB Type C, 1x 3.5mm AUX In
- Display: 2" OLED Display
- Dimensions: 128mm(L) x 88mm(W) x 55mm(H)

#### Haptic Drivers

- 1 Haptic Driver in each Earcup
- Frequency response: 45-300Hz
- Maximum generated force: 4.3g

#### On-earcup Controls

- Volume Dial
- Mic Mute Button
- Razer Multi-Function-Button (MFB)
- Razer Sensa HD Haptics Button

#### Audio Usage

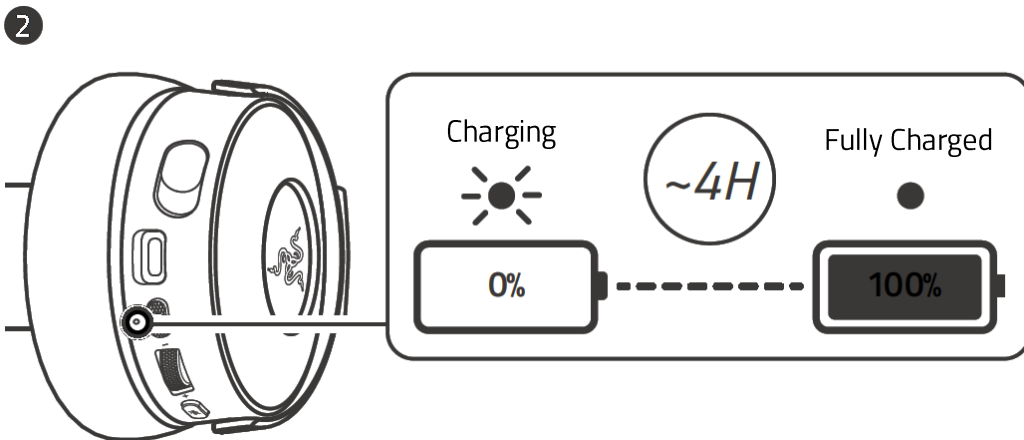
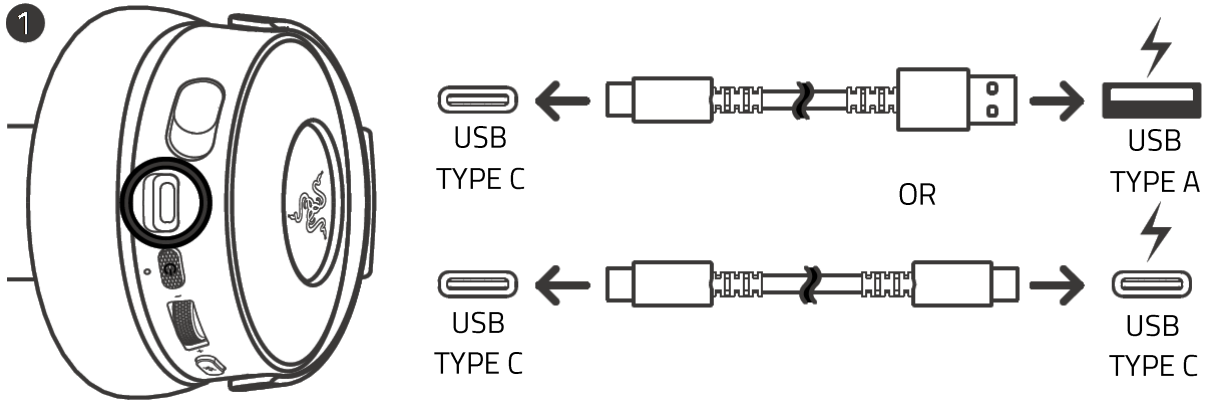
- Wireless: 2.4GHz Wireless via OLED Control Hub or Bluetooth 5.3
- Wired: USB Type A or 3.5mm
- Bluetooth Codec: AAC, SBC
- THX Spatial Audio: Only available on Windows 10® 64-bit (or higher)

#### Battery Life

- Up to 50 hours (Haptics and Lighting OFF, 2.4GHz connection)
- Up to 45 hours (Haptics and Lighting OFF, Simultaneous 2.4GHz + BT connection)
- Up to 13 hours (Haptics and Lighting ON, 2.4GHz connection)

## 5. GETTING STARTED

### CHARGE YOUR HEADSET

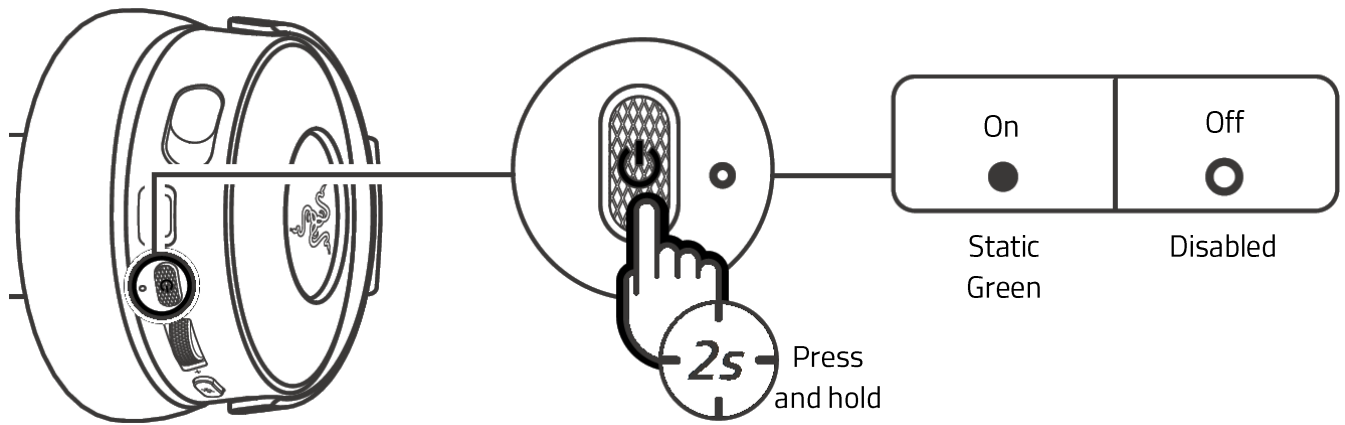


CHARGE STATUS	LED INDICATOR
Low	Blinking Red
Mid	Blinking Yellow
High	Blinking Green
Full	Static Green

**i** For best results, connect your Razer Kraken V4 Pro directly to the USB port of your computer using the provided charging cable.



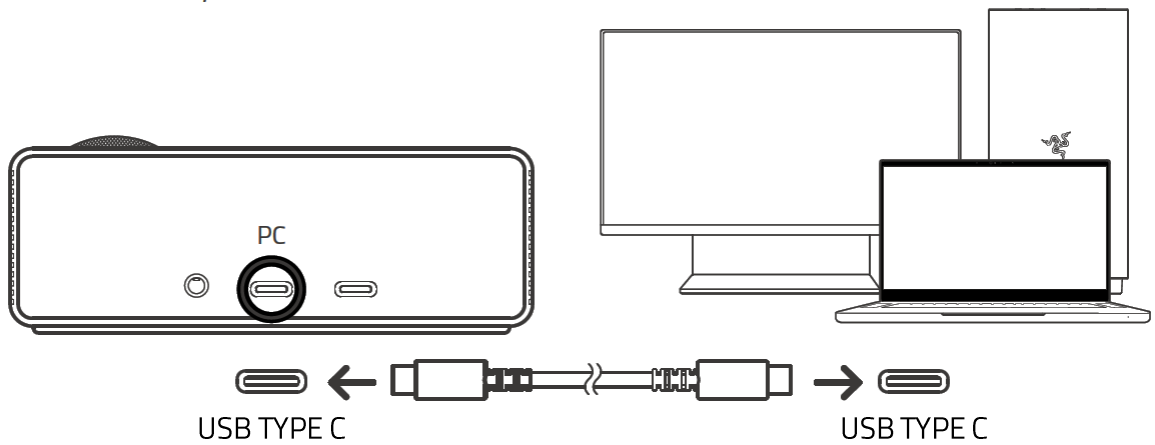
## POWER YOUR HEADSET ON/OFF



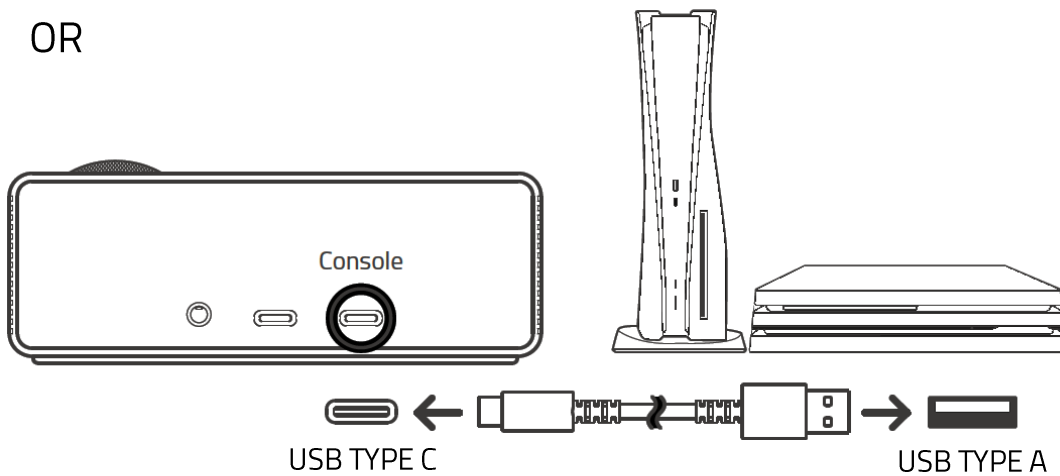
## CONNECT TO YOUR DEVICE

### 2.4 GHZ MODE

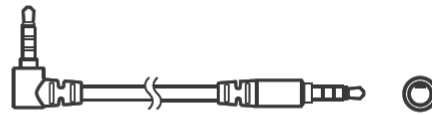
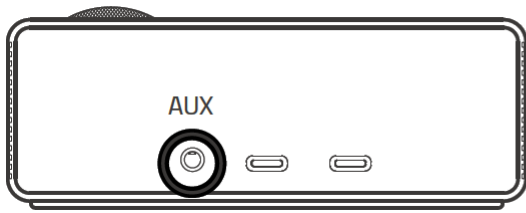
1



OR



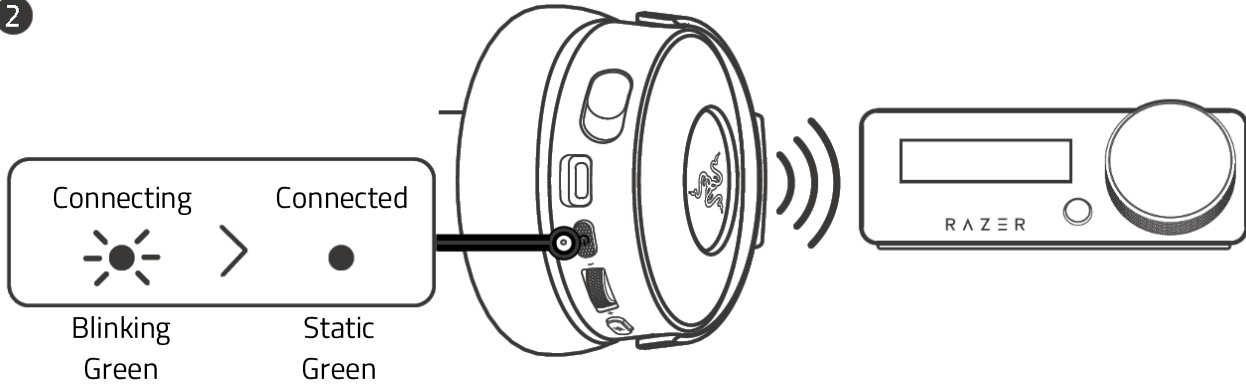
OR



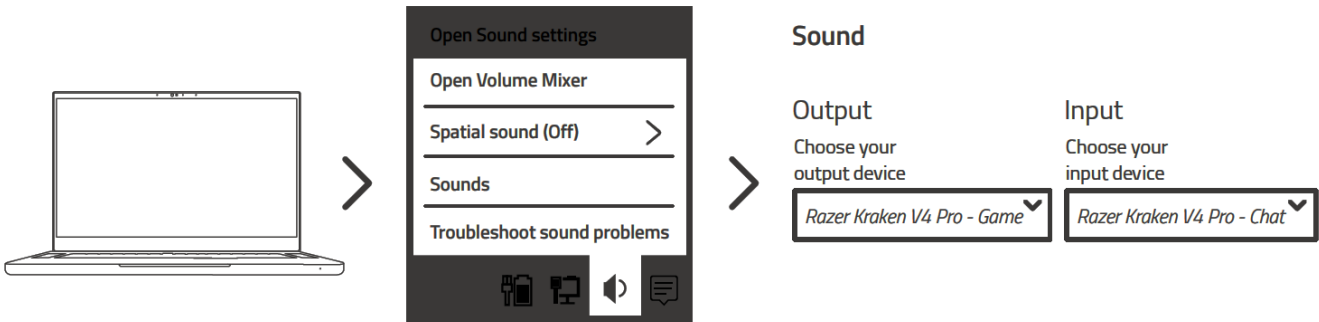
3.5 mm audio output port

**i** Even in Aux Mode, the OLED Control Hub still needs to be connected to a PC or console.

2



### Set Up For PC



**i** Install Razer Synapse when prompted or download the installer from [razer.com/synapse](https://www.razer.com/synapse).

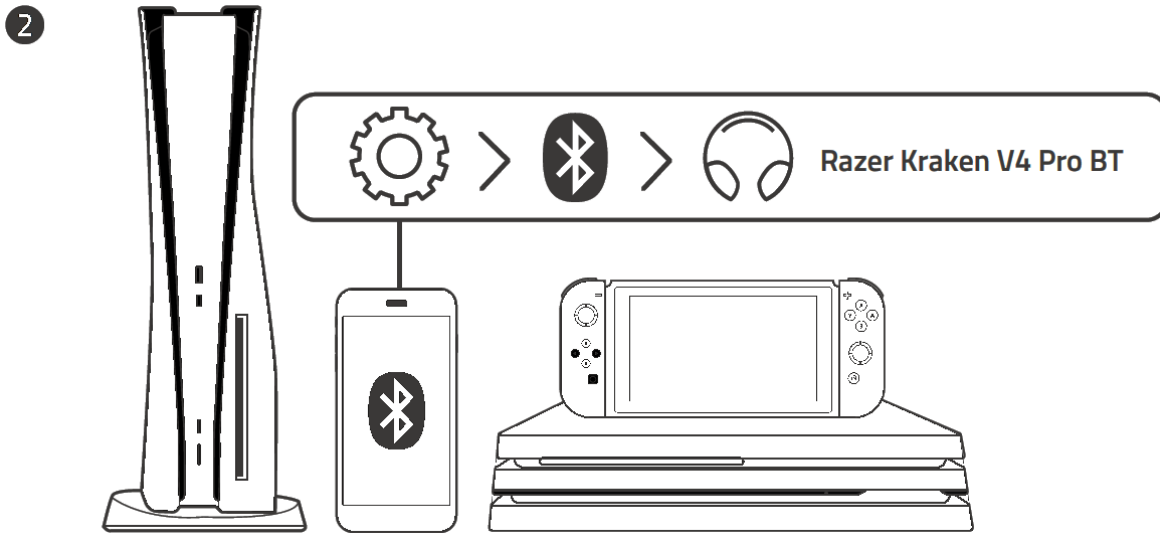
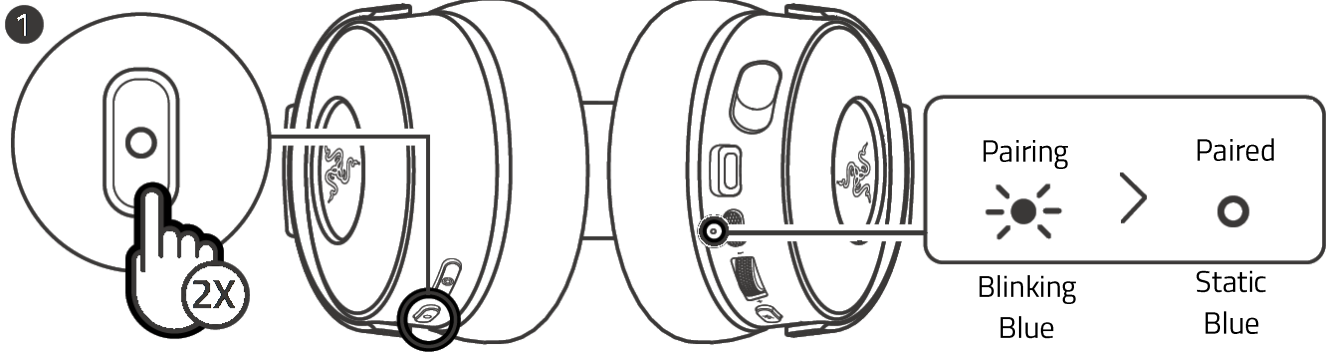
### Activate THX Spatial Audio\*

Unleash the full potential of the Razer Kraken V4 Pro by enabling 360° positional audio for a natural and lifelike experience through Razer Synapse.

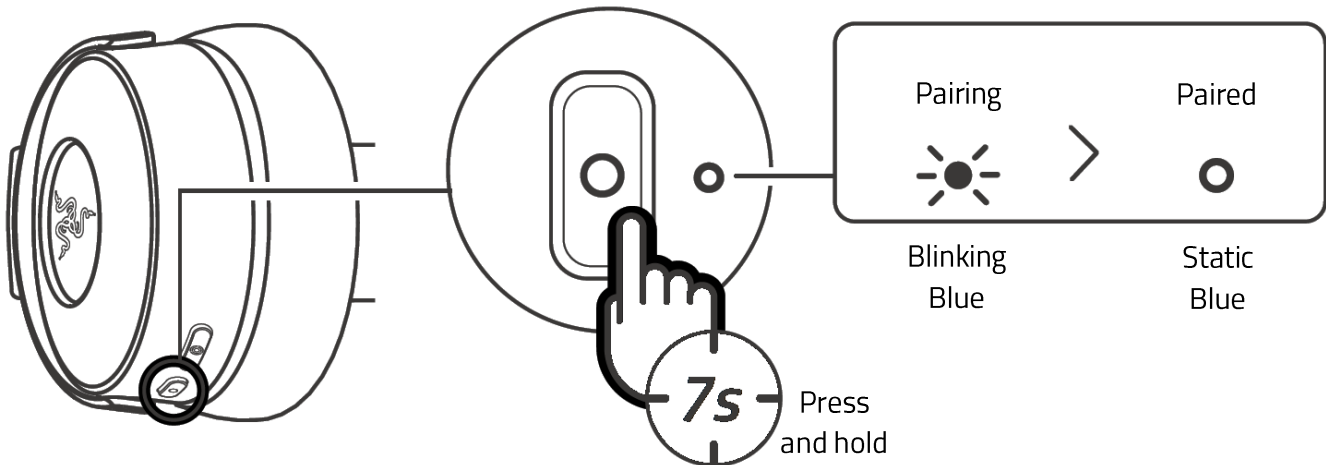


\*Only available on Windows 10 64-bit and above

## BLUETOOTH® MODE



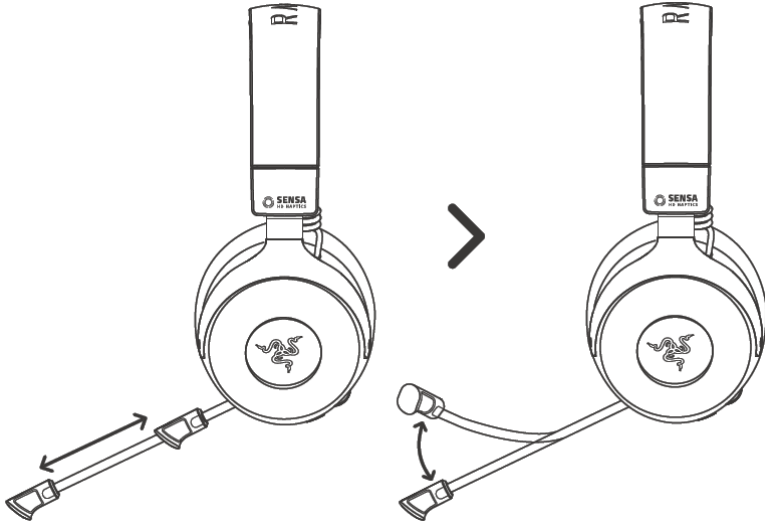
## Re-Pairing Your Headset



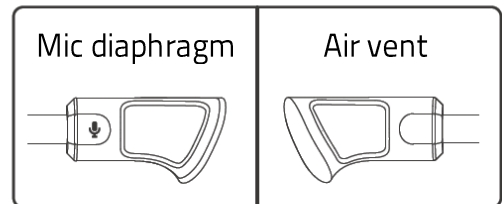
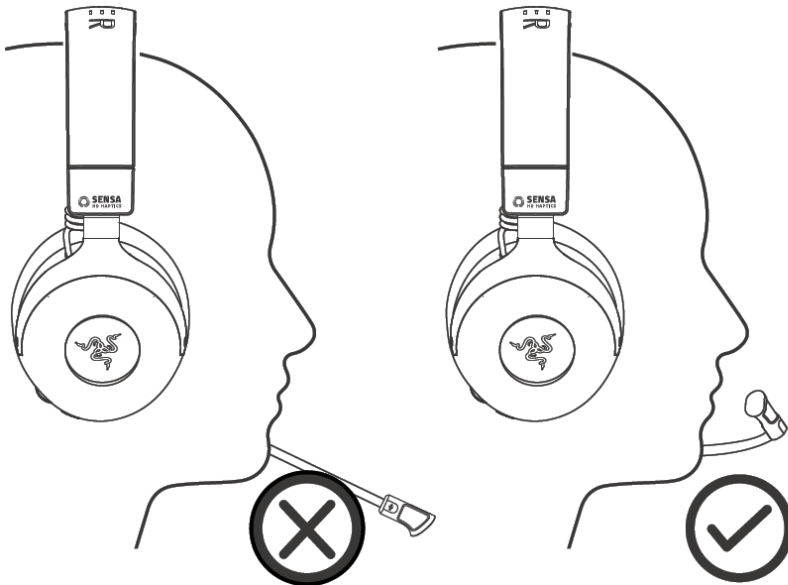
---

## 6. USING YOUR RAZER KRAKEN V4 PRO

### RAZER HYPERCLEAR SUPER WIDEBAND MIC



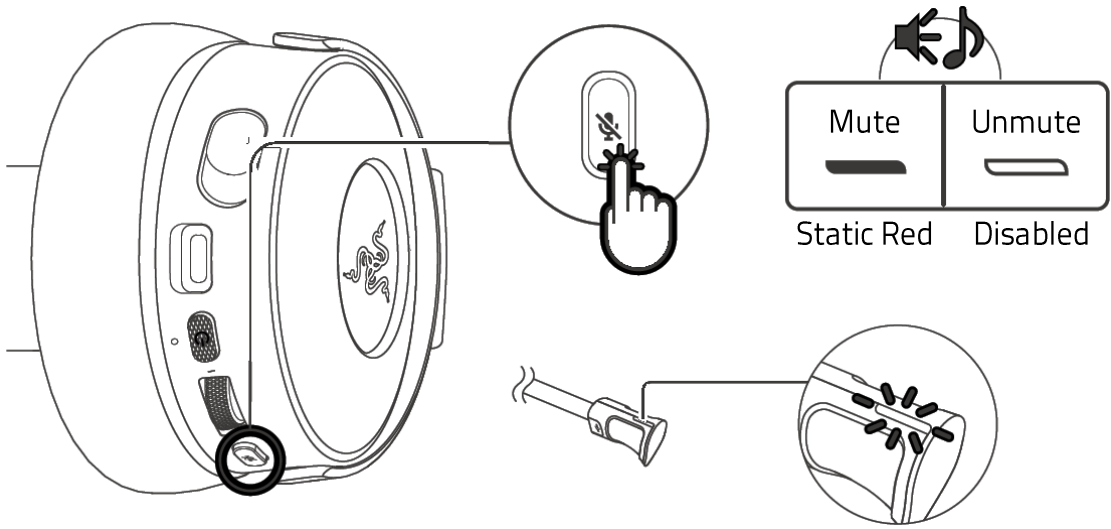
### PROPER MIC PLACEMENT



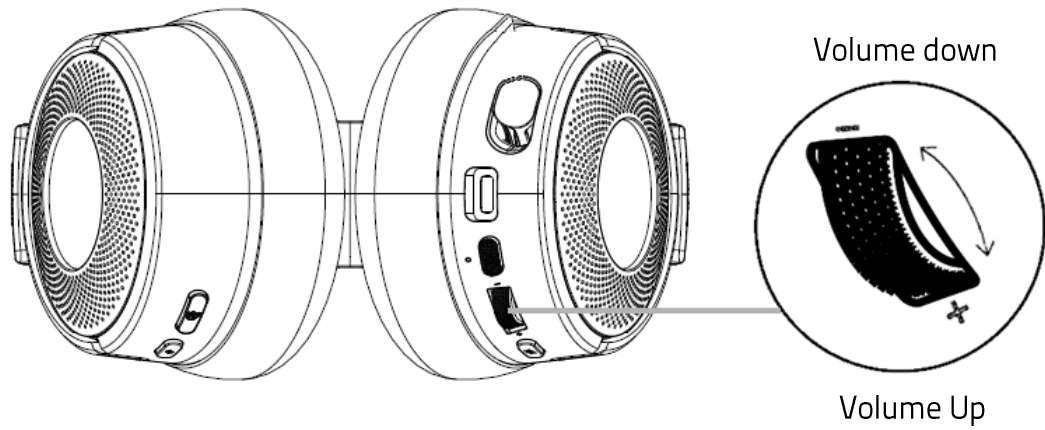
In front of  
your mouth

Away from  
your mouth

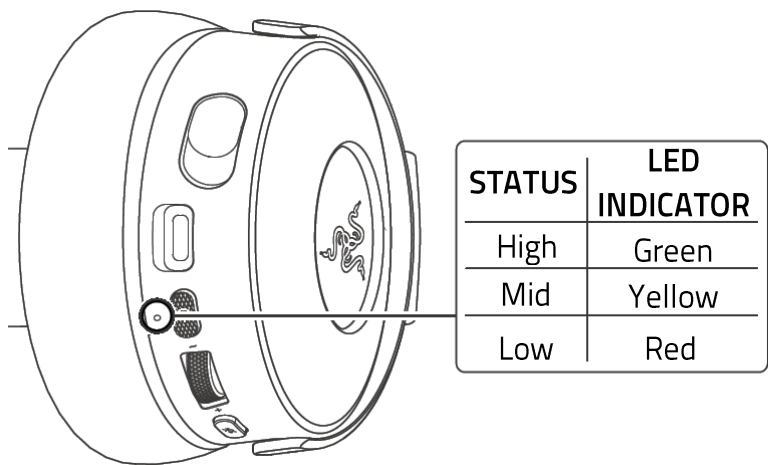
### SET THE MIC TO MUTE/UNMUTE



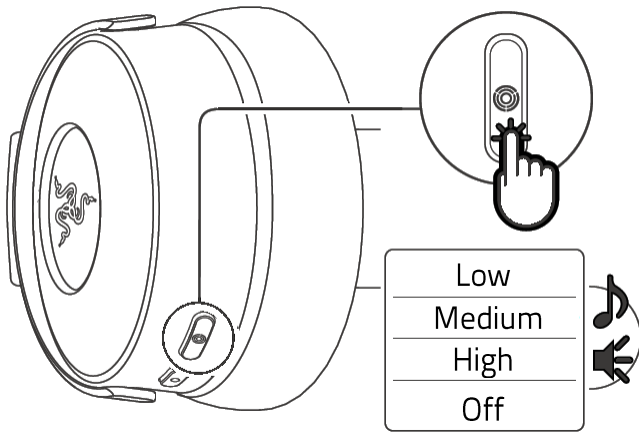
### TURN THE VOLUME CONTROLS



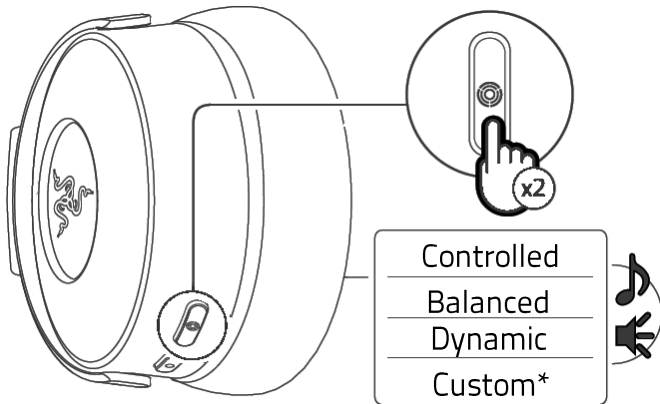
### CHECK THE BATTERY STATUS



## CHANGE HAPTICS INTENSITY

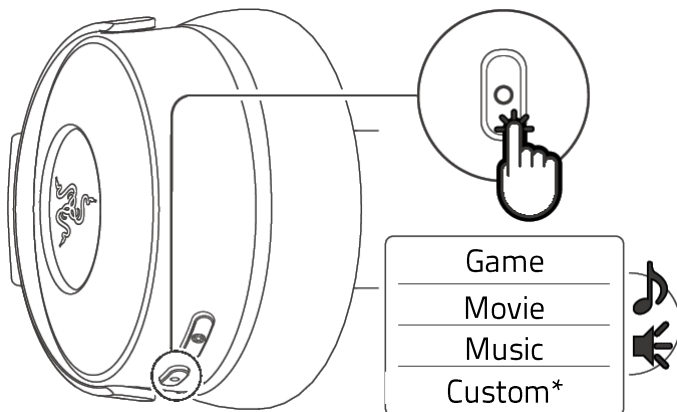


## SELECT THE SENS HD HAPTICS PROFILE



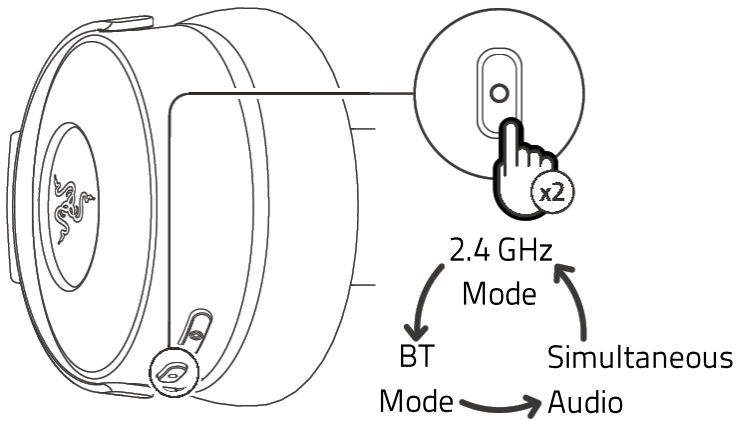
*\*Use Razer Synapse to modify the Custom Haptics Profile.*

## PERSONALIZE THE EQ SETTING



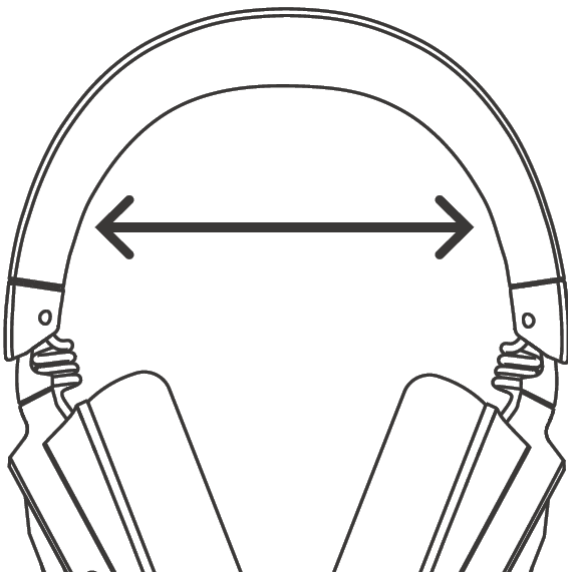
*\*Use Razer Synapse or the OLED Control Hub to change the Custom EQ setting.*

## CYCLE THROUGH WIRELESS MODES



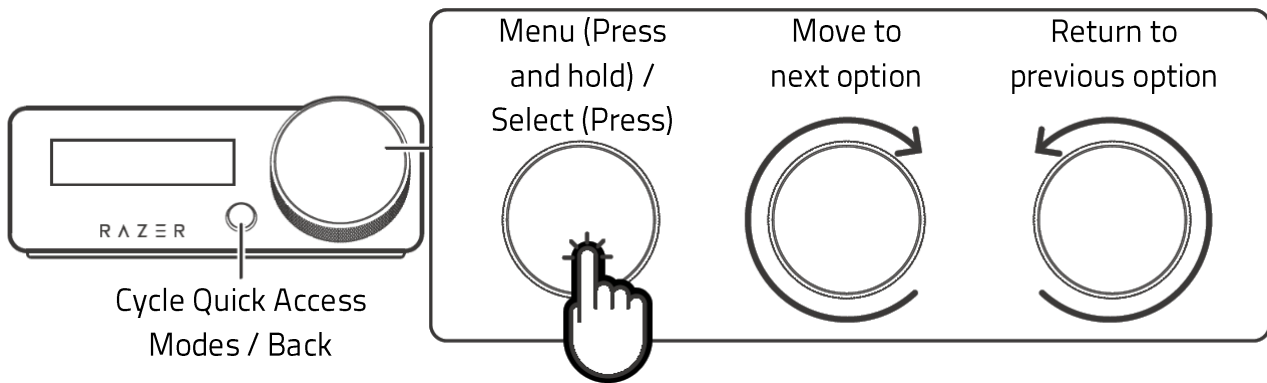
**i** To cycle through wireless modes, the headset must be connected to both 2.4GHz and Bluetooth.

## ADJUST FOR COMFORT








**i** Gently stretch the headbands before wearing the headset, but do not overstretch it to avoid permanent damage.

## NAVIGATE THE OLED CONTROL HUB



### DEFAULT QUICK ACCESS MODES LIST

-  VOLUME
-  AUDIO EQ
-  HAPTIC PROFILE
-  HAPTICS INTENSITY
-  INPUT SOURCE

To access the OLED Control Hub user guide, scan the QR code or visit this link: <https://rZR.to/pi8nkt>




Find out more about your gaming-grade headset at [support.razer.com](https://support.razer.com)



---

## 7. CONFIGURING YOUR RAZER HEADSET

 *Disclaimer: This guide provides an overview of the New Razer Synapse app and may only partially cover some of the features of your device. The New Razer Synapse requires an Internet connection to install, update, access, and save cloud-based features. Registering for a Razer ID account is recommended but optional. All features listed here are subject to change based on the current version, connected device(s), and supported add-ons.*

### SYNAPSE

The Synapse tab is your default tab when you first launch Razer Synapse. Use the following buttons below to navigate the user interface:

– Minimize

Clicking this button will minimize the app to the taskbar while it runs in the background.

▢ Maximize

This button expands the browser window to fill the entire screen. To restore the window to its original size, click the maximize button again.

× Close

This button will close all relevant tabs and terminate the application completely.

< Previous Tab

Clicking this button will return you to the last tab you have visited.

> Next Tab

Clicking this button will move you to the next page if you've recently used the Previous Tab button.

🔄 Refresh Tab

This button reloads the current page. Use this if a page isn't displaying correctly or you want to see the latest content.

⬇️ Download Update

If this button appears, that means there are changes to the app. Use this if a page isn't displaying correctly or you want to see the latest content.

## More

Clicking this button will open a pop-up so you can easily access your Devices, Modules, and Other Installed Apps tabs.

## Settings

Clicking this button will open the Settings tab, so you can quickly change the settings to this app.

## Profile

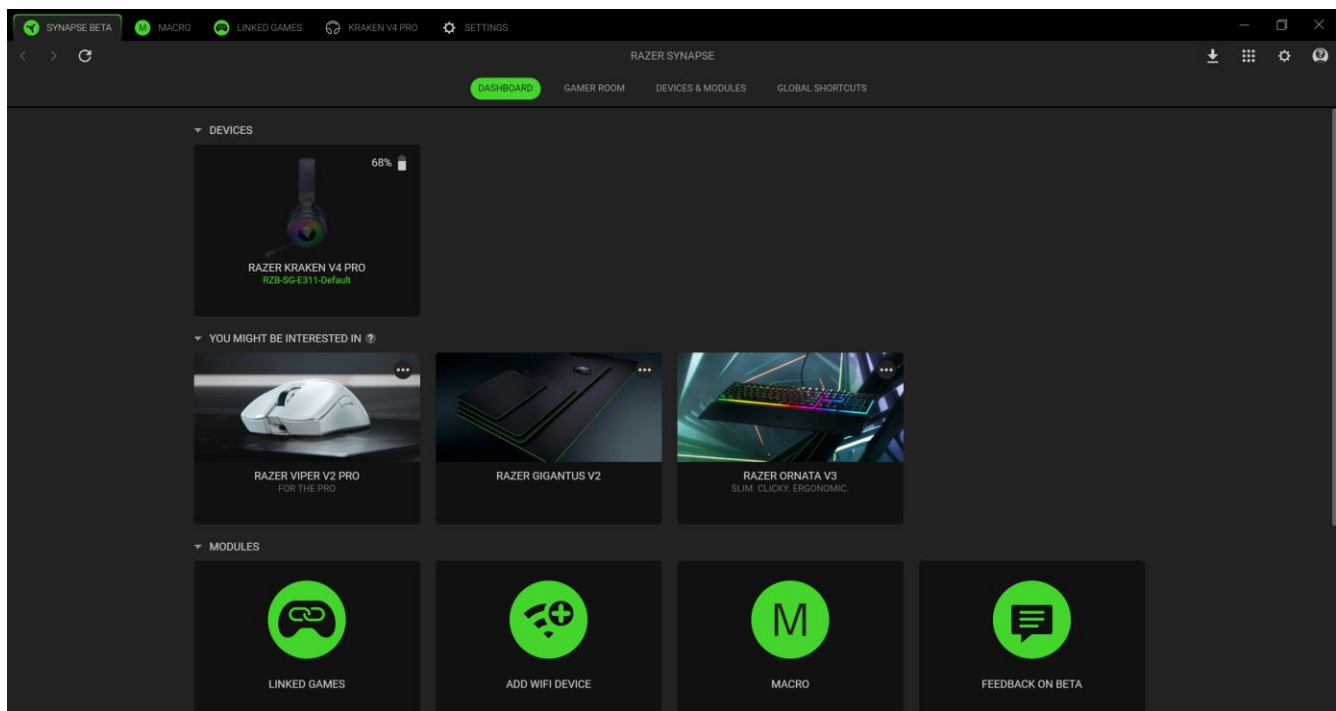
This button will open a pop-up to access the Log In, Feedback, Rate This Software, Add WiFi Device, and Exit options.

## Info

Hovering over this button will pop up an additional information about a feature or function.

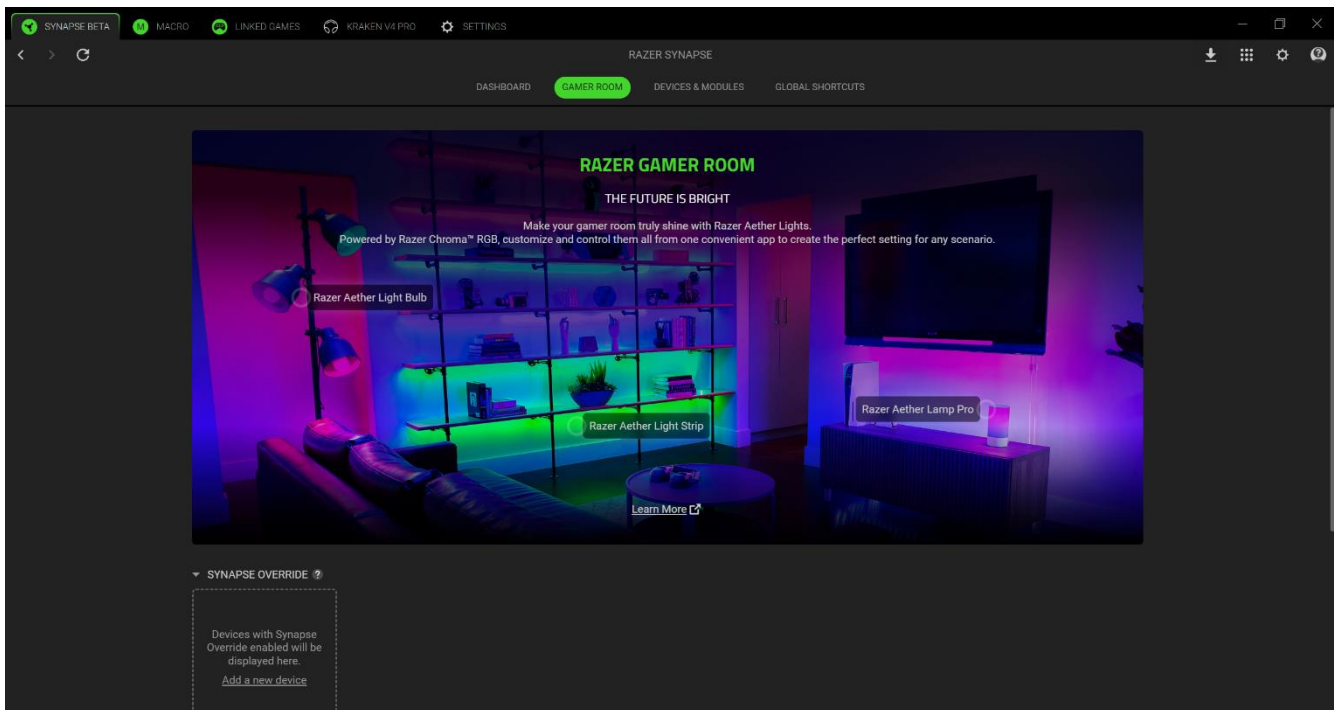
## Dashboard

The Dashboard subtab is an overview of your Razer Synapse, where you can access all your Razer devices, modules, and online services.



## Gamer Room

The Gamer Room subtab shows all devices with the Razer Aether Light feature. From here, you can view and manage your Gamer Room-supported devices.



### *Synapse Override*

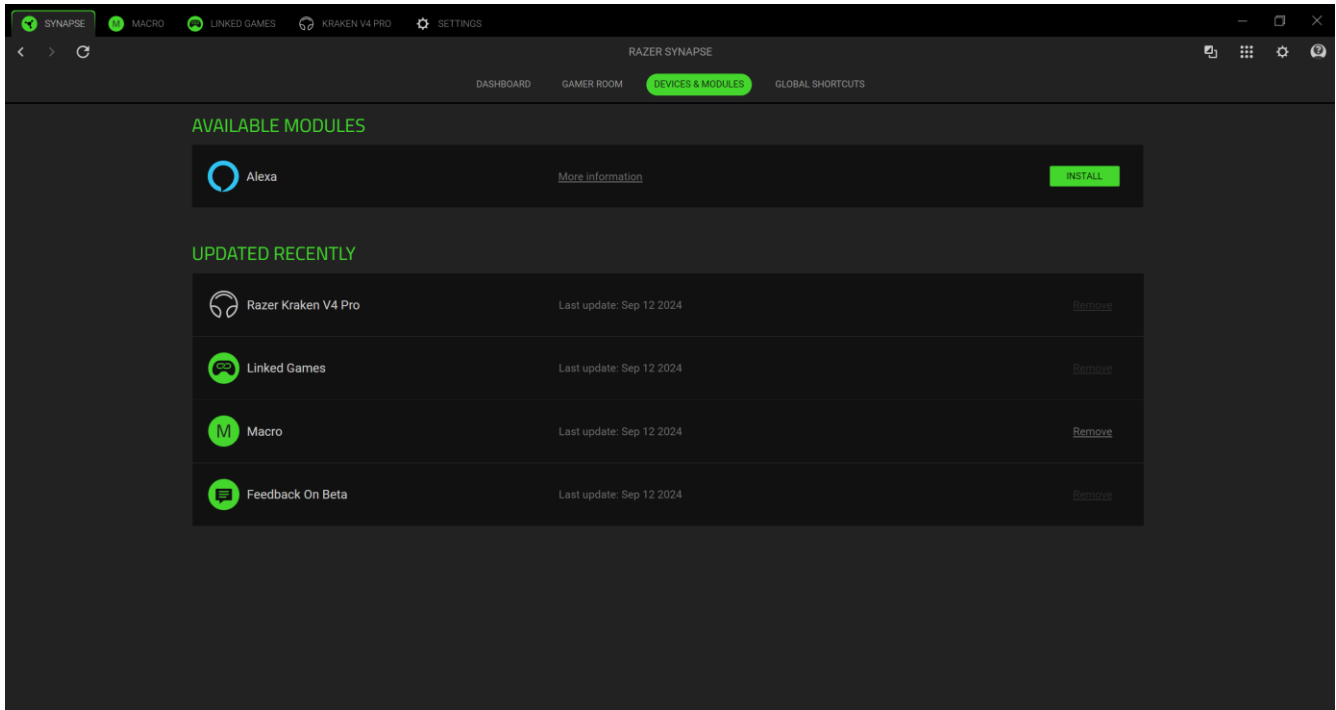
This section allows you to select and customize your device's lighting and make it react to Chroma-enabled games and Chroma Connect apps using Razer Synapse.

### *Controlled By Gamer Room App*

This section displays all supported devices controlled remotely by the Gamer Room app.

## Devices & Modules

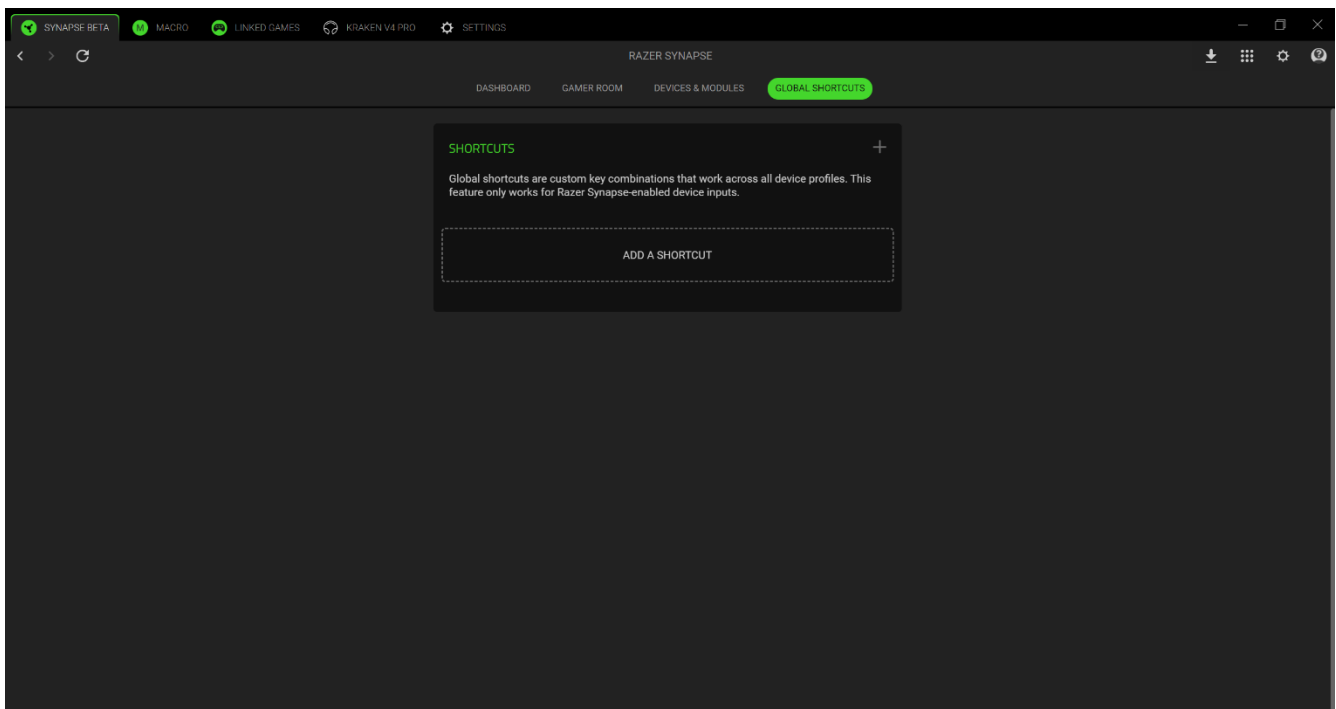
The Modules subtab displays all installed and available modules for installation.



## Global Shortcuts

Bind operations or Razer Synapse functions to custom key-combinations from any Razer Synapse-enabled device inputs, which apply across all device profiles.

 *Only Razer Synapse-enabled device inputs will be recognized.*



## KRAKEN V4 PRO

The Kraken V4 Pro tab is the main tab for your Razer headset. You can change your device settings from here, such as lighting (if supported), setting and customizing EQ profiles, and adjusting the overall system volume or individual volume of all active applications. Any changes under this tab will be saved automatically to your local system and cloud storage. Use the following buttons below to access your profile options:

▾ Profiles Dropdown Bar

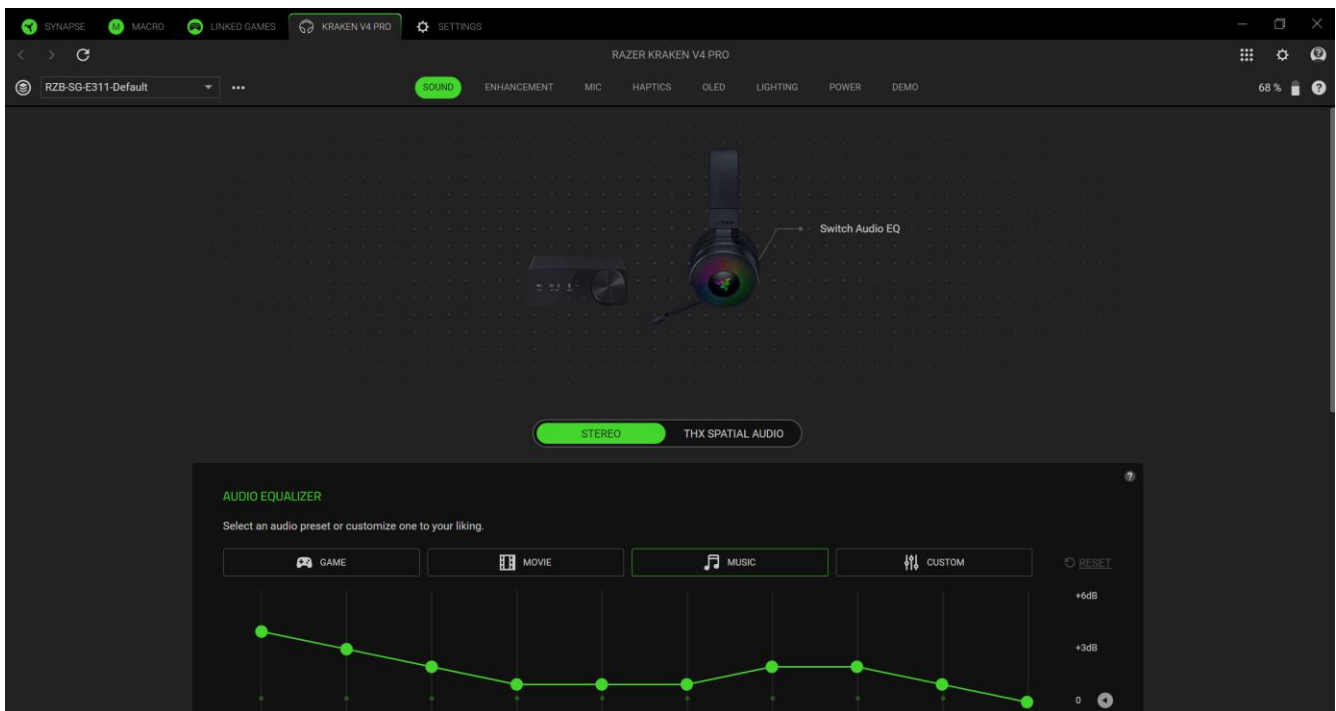
Clicking this dropdown bar will display all the profiles for this device so you can quickly change profiles.

⋮ Miscellaneous

Clicking this button will open a pop-up with options related to your current profile.

## Sound

The Sound subtab is for adjusting and modifying your device's audio settings.

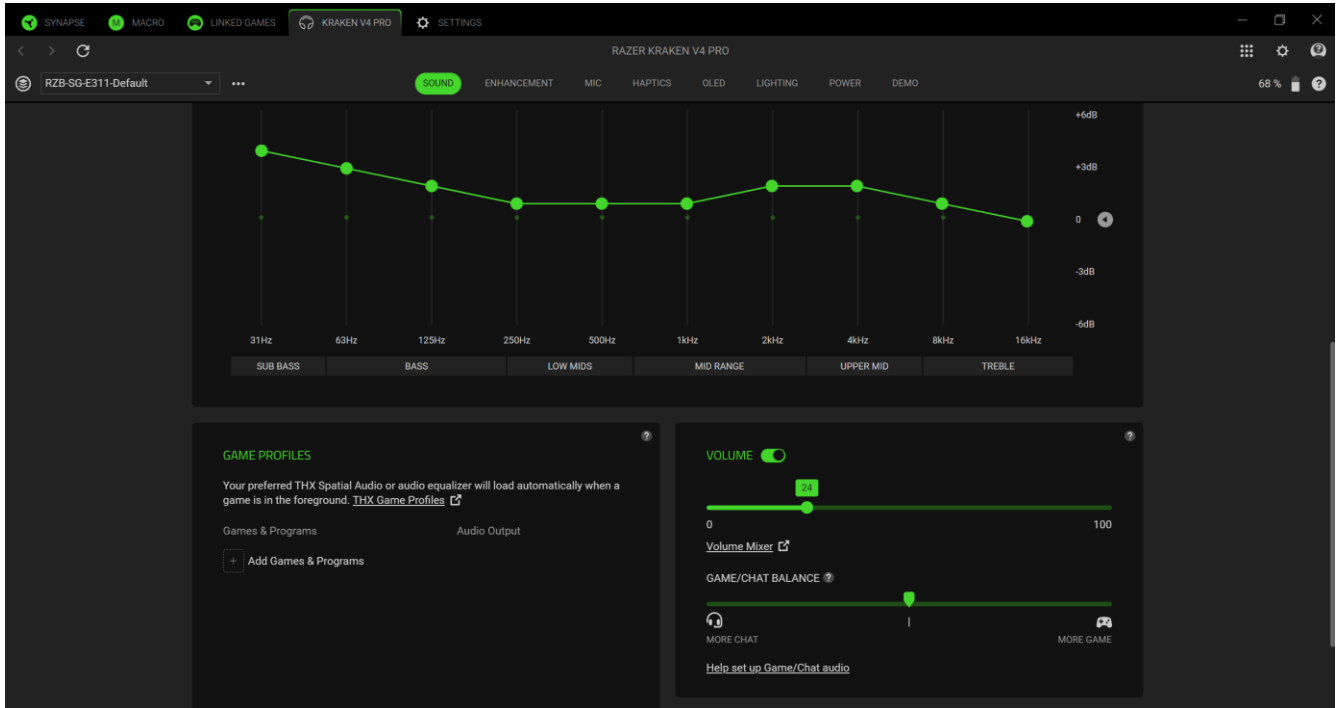


## Profile

Profile is a data storage system that keeps all your Razer device settings. By default, the profile name is based on your system's name. Clicking the dropdown bar (▾) will display all profiles for this device so you can quickly switch between them. To add, import, rename, duplicate, export, or delete a profile, press the profile's corresponding Miscellaneous button (⋮).

## Audio equalizer

Select any available equalizer preset created for the best audio experience designed for gaming immersion, movie viewing, or enjoying your favorite music. Manually adjusting any equalizer preset will automatically set it to Custom.



## Game Profiles

Set a THX Spatial Audio or EQ preset to load automatically when a game is in the foreground. Click on **Add Games & Programs** to manually add apps and set your preferred audio output for each.

## Volume

Adjust the audio volume of the device. You can also adjust the system's overall volume or individual application volumes using the Windows volume mixer.

## Game/Chat Balance

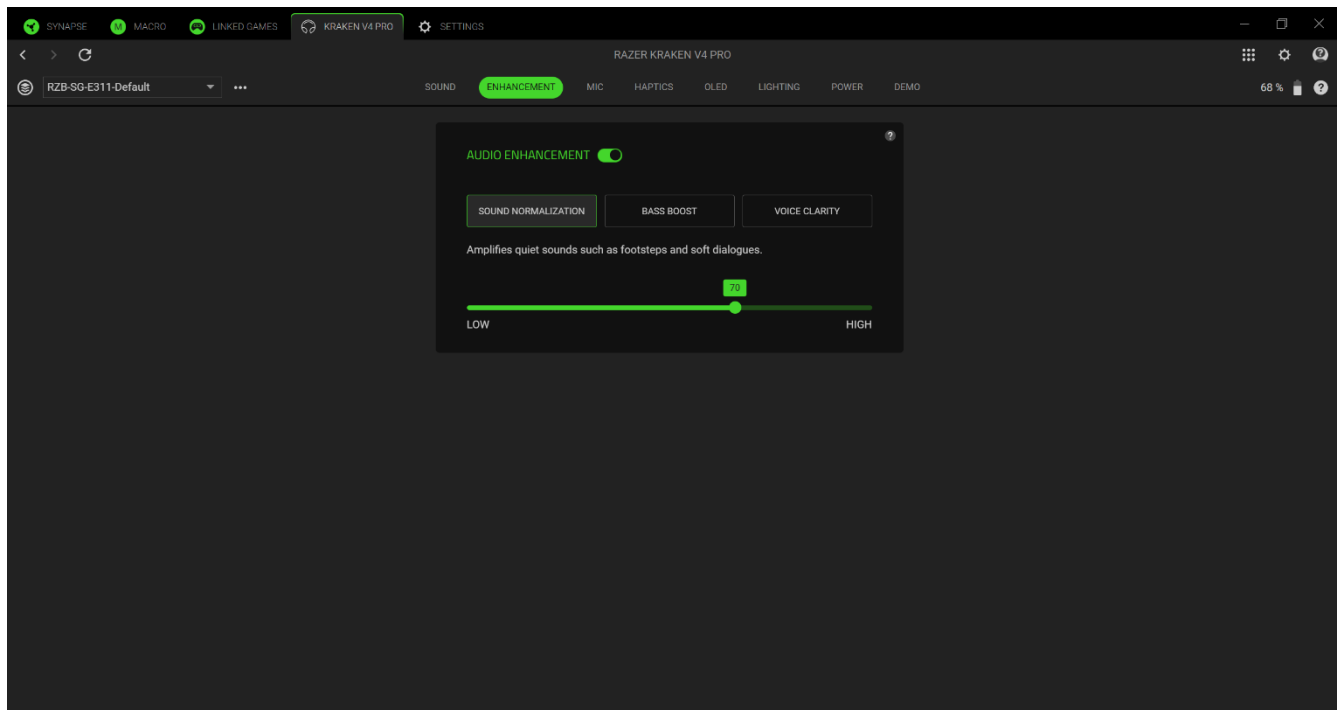
Use the slider to change the audio mix of the game and chat channels to make one more audible than the other.

## Sound Properties

Launch the Windows Sound Properties window to manage system sound settings, such as playback and recording device configurations, sound schemes, and default communications activity.

## Enhancement

The Enhancement subtab is for customizing your audio system's incoming audio settings and frequency response.



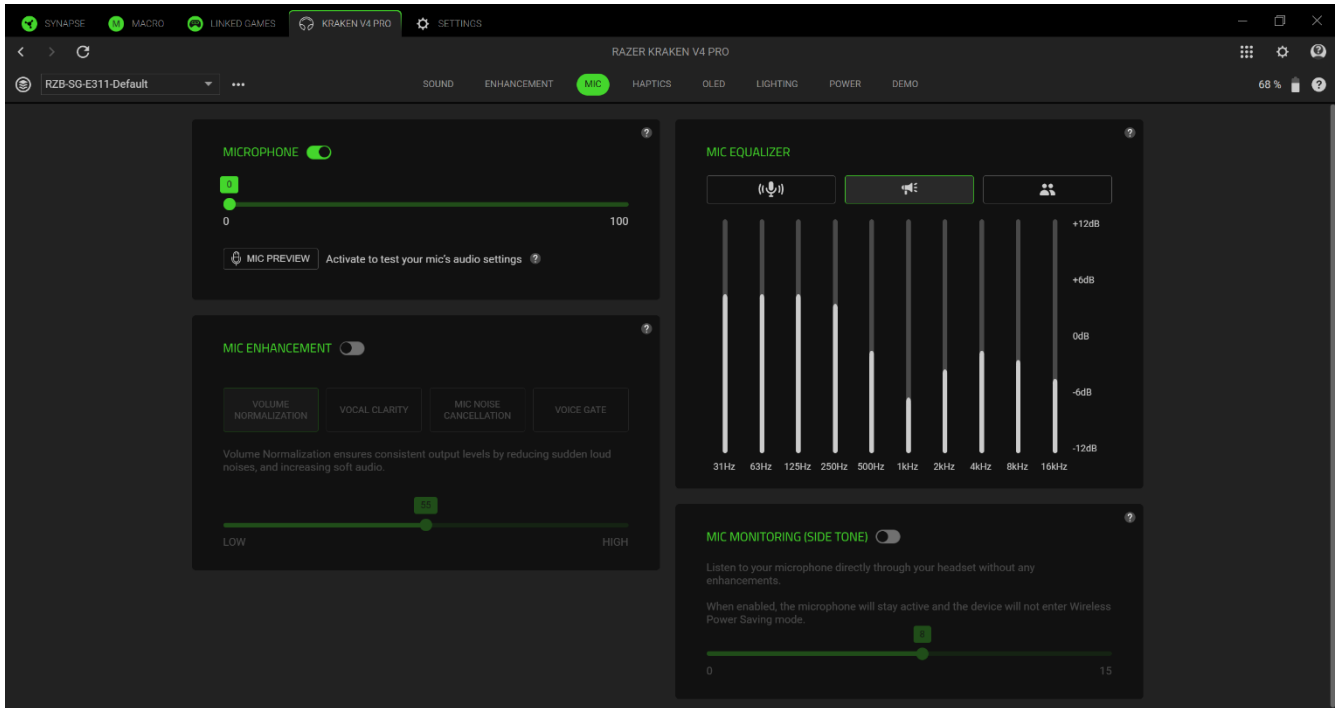
### *Audio Enhancement*

Choose one of the options below then use the slider to increase or decrease its effect:

- **Sound Normalization.** Increase the volume of quiet sounds without affecting the louder parts.
- **Bass Boost.** Enhance the low-frequency response to improve the bass output of your headset. When enabled, you can adjust the bass output of the headset by adjusting the bass boost slider.
- **Voice Clarity.** Enhance incoming dialogue from communication applications for clear and easily understandable speech.

## Mic

The Mic subtab enables you to change all outgoing mic audio settings.



### Microphone

Adjust the microphone volume or disable it by using the toggle. You can also activate the **Mic Preview** to test the microphone's input audio intensity.

### Mic Enhancement

Enhance mic input quality by enabling and adjusting the listed features.

- **Volume Normalization.** Reduces the variation of loudness.
- **Vocal Clarity.** Emphasizes the voice frequency.
- **Mic Noise Cancellation.** Suppresses environmental noise.

### Mic Equalizer

Select the mic equalizer preset that best suits your mic needs. Manually adjusting any equalizer preset will automatically set it as a Custom preset.

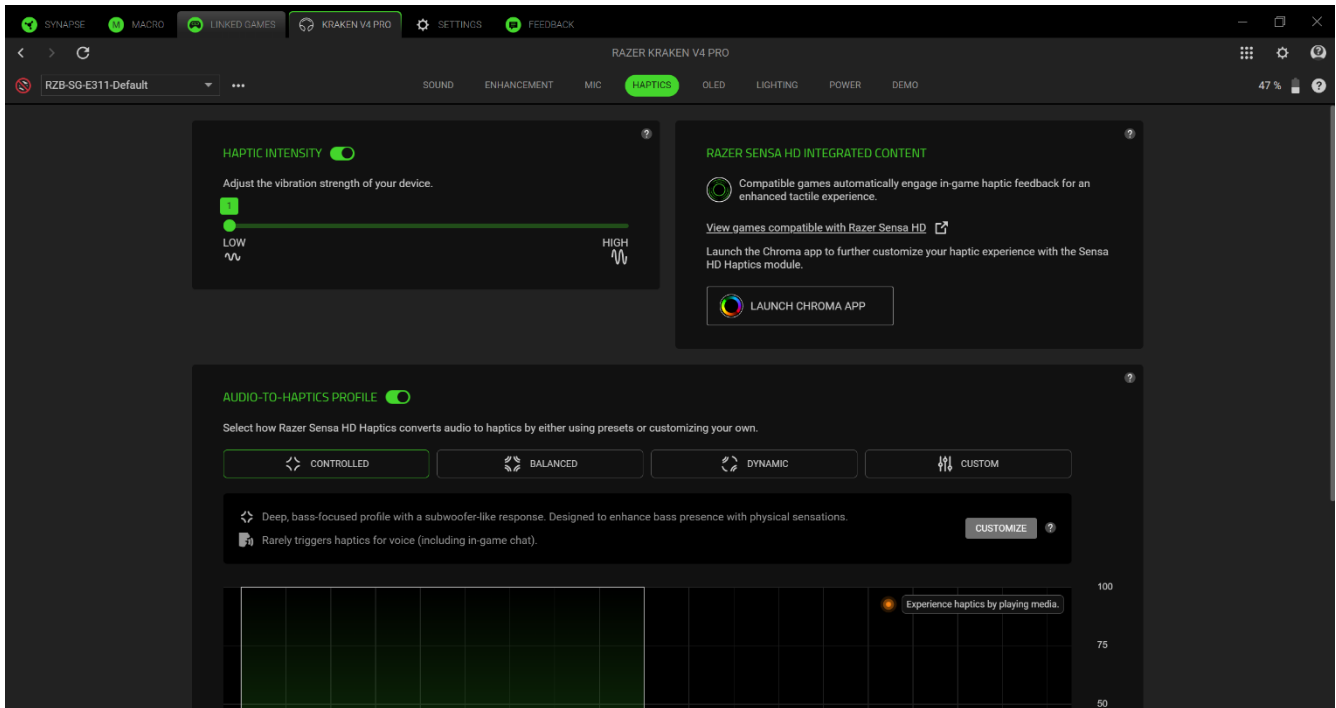
### Mic Monitoring (Side tone)

Toggle this setting to monitor your microphone's sound directly via the headset, adjusting the monitoring volume as desired.



## HAPTICS

Use the Haptics subtab to customize your headset's haptic feedback and personalize your audio immersion level.



### *Haptic Intensity*

To enable this function, toggle the Haptic Intensity switch. Once enabled, move the slider to the right to increase the vibration feedback or to the left to decrease it.

### *Razer Sensa HD Integrated Content*

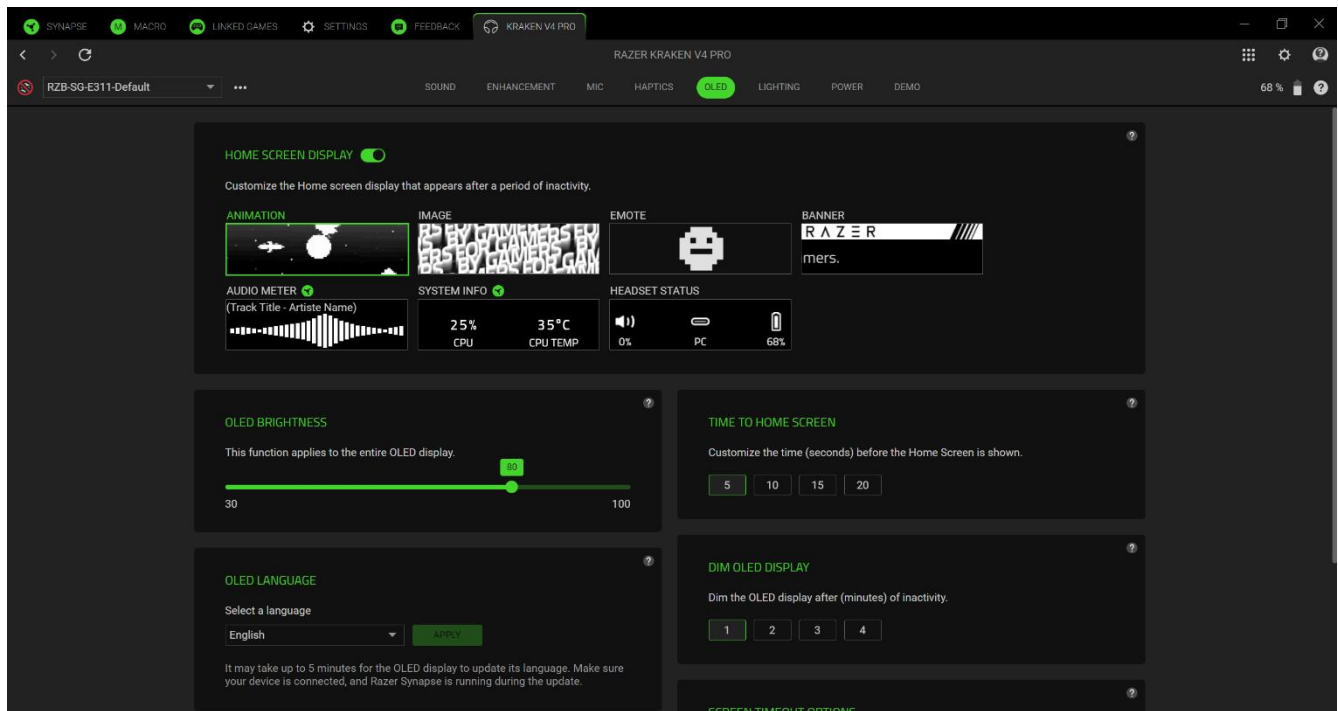
You must activate this feature by launching the Chroma app to experience the full potential of the headset's haptics engine within supported apps. If enabled, the Audio-to-Haptics Profile will be disabled in Synapse.

### *Audio-To-Haptics Profile*

To activate this function, toggle the Audio-To-Haptics Profile switch. Once enabled, choose your desired profile preset or create your own by choosing the Custom profile.

## OLED

The OLED subtab allows you to customize the display of the OLED Control hub.



### Microphone

Adjust the microphone volume or disable it by using the toggle. You can also activate the **Mic Preview** to test the microphone's input audio intensity.

### Home Screen Display

After activating this feature, you can personalize the content displayed on the Home Screen of your OLED Control Hub when there has been no activity for a certain period. Below are the types of customizations you can choose for the Home Screen. Make sure to explore all the different choices available within each category to find the best one for you.

- **Animation.** Select from a list of moving images.
- **Image.** Choose a static image for your Home Screen.
- **Emote.** Pick an emoticon to show your mood.
- **Banner.** Select a scrolling image to enhance your Home Screen.
- **Audio Meter.** Convert the sound produced by your headset into a visual representation.
- **System Info.** Display information about your PC updated periodically.
- **Headset Status.** Display real-time information about your headset.

### *OLED Brightness*

Increase or decrease the luminance of the screen using the slider.

### *Time To Home Screen*

Specify the amount of time that must elapse before the Home Screen is displayed.

### *OLED Language*

Set the language to use on your OLED Control Hub. It may take a few minutes for the changes to apply.

### *Dim OLED Display*

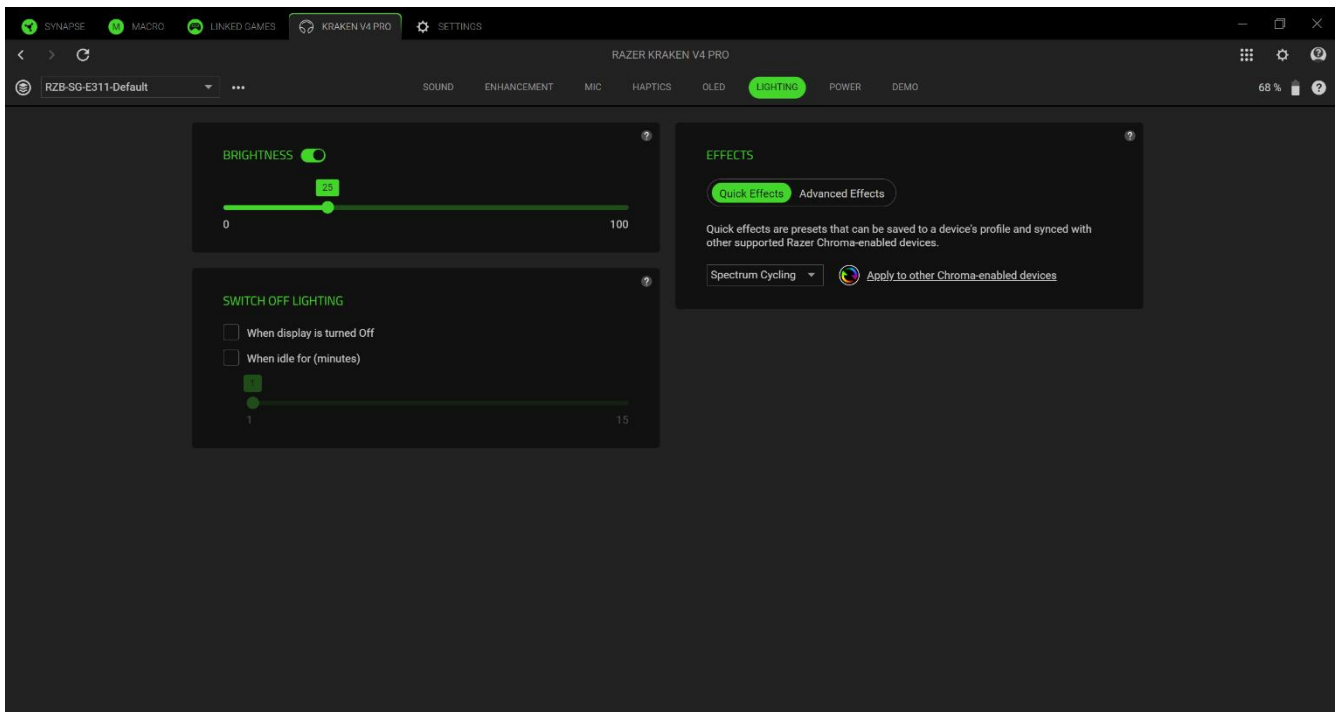
Select the duration for the display to reduce its brightness by 50%.

### *Screen Timeout Options*

Choose a screensaver from the available options to appear on the OLED display when it dims due to inactivity.

## Lighting

The Lighting subtab enables you to modify your Razer device's light settings.



### *Brightness*







You can turn off your Razer device's lighting by toggling the Brightness option or increase/decrease the luminance using the slider.


### Switch Off Lighting

This power-saving tool allows you to disable your device's lighting when your system's display turns off or automatically power it down after a period of inactivity.


### Quick Effects

A number of quick effects can be selected and applied to your device's lighting, as listed here:

	Name	Description	How to set up
	Ambient awareness	The lighting on the headset will reflect the averaged color on the selected screen region	Select or customize a screen region
	Audio meter	The headset will light up according to the audio level with a default spectrum of colors.	Select a Color Boost level.
	Breathing	The lighting will fade in and out of the selected color(s).	Select up to 2 colors or randomize colors
	Spectrum cycling	The lighting will cycle between 16.8 million colors indefinitely.	No further customization required
	Static	The headset will remain lit in the selected color.	Select a color.
	Wheel	The lighting will rotate in the direction selected with a default spectrum of colors.	Select a direction.

If you have other supported Razer Chroma-enabled devices, you can synchronize their quick effects with your Razer device by clicking the Chroma Sync button (  ).

### Advanced Effects

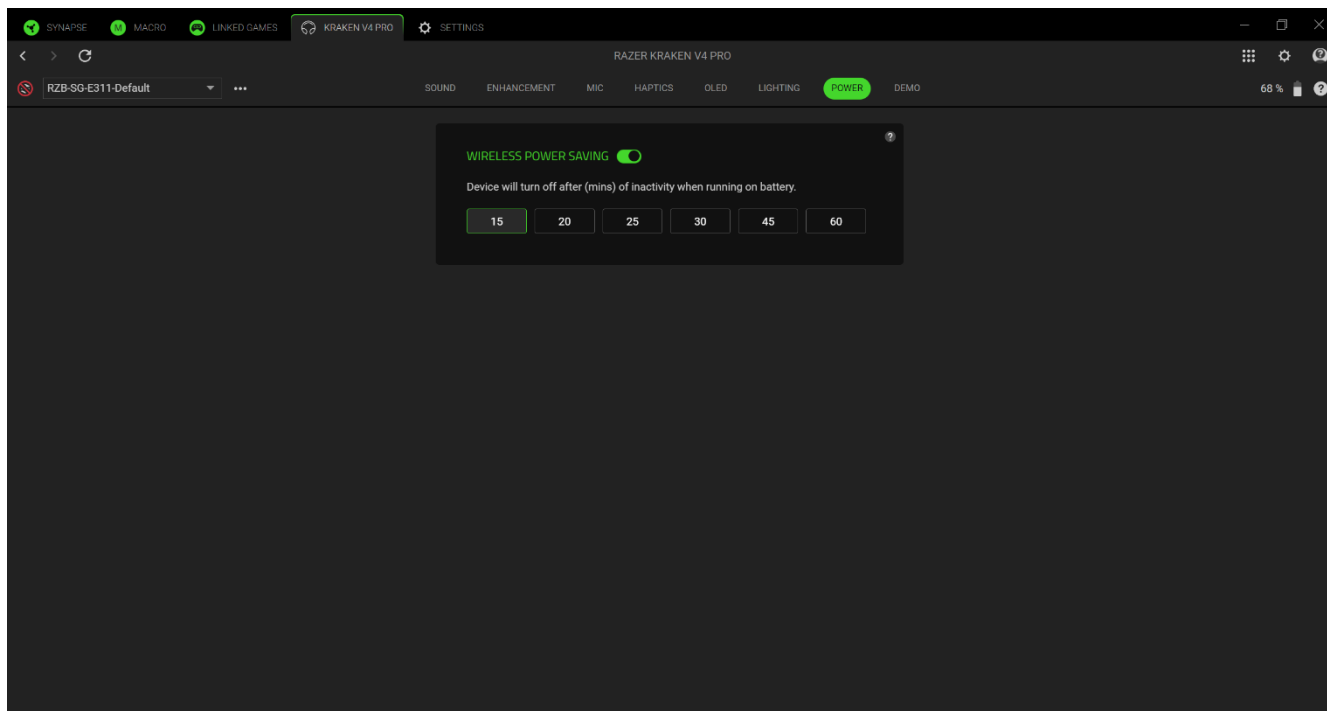
The Advanced Effects option allows you to choose a Chroma Effect Profile you want to use on your Razer Chroma-enabled peripheral. To start making your own Chroma Effect Profile, press the Launch Chroma Studio button (  ).

 *Some lighting effects listed here may not be available for your device. Only other Razer devices that*

*support the selected lighting effect will synchronize. Indicator LEDs are not customizable.*

## Power

For wireless devices, the Power subtab allows you to manage your device's energy consumption when running on batteries.

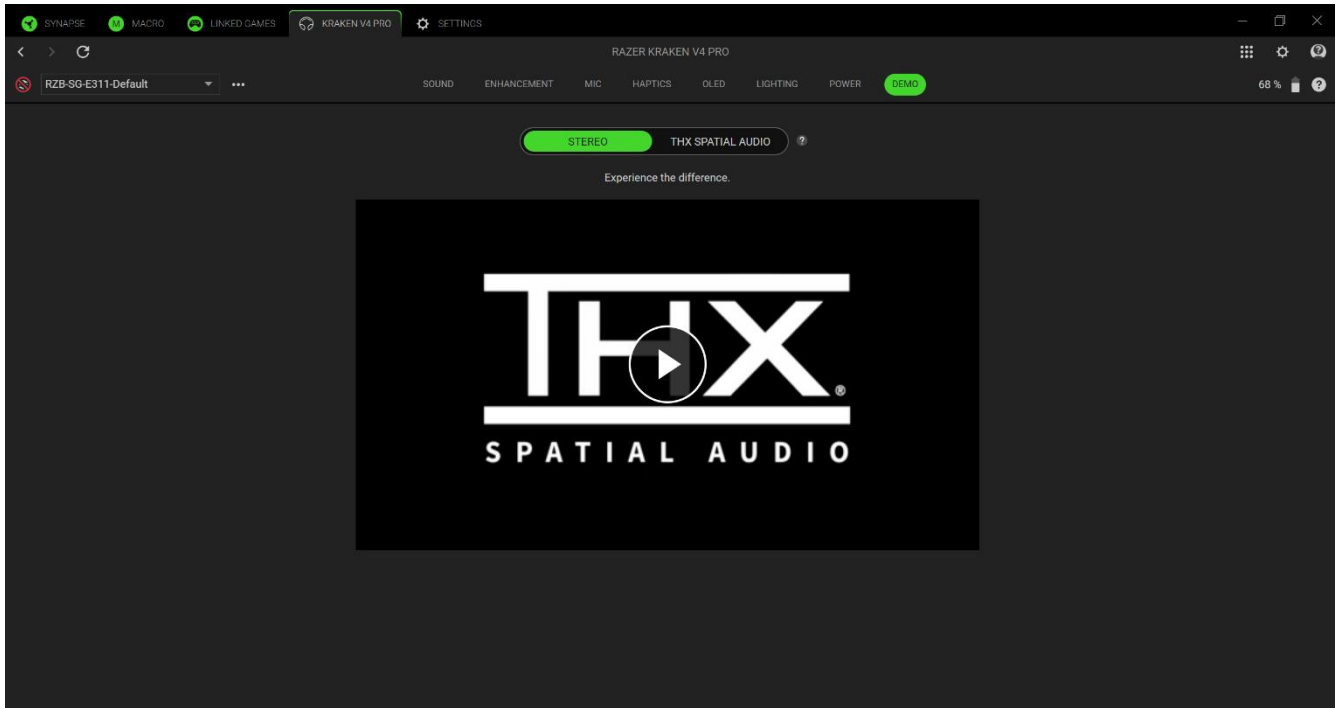


### *Wireless Power Saving*

Set the device to power off when it has been idle for a certain amount of time.

## Demo

Explore all your customizations and enhancements in the Demo subtab.



### *Stereo / THX Spatial Audio*

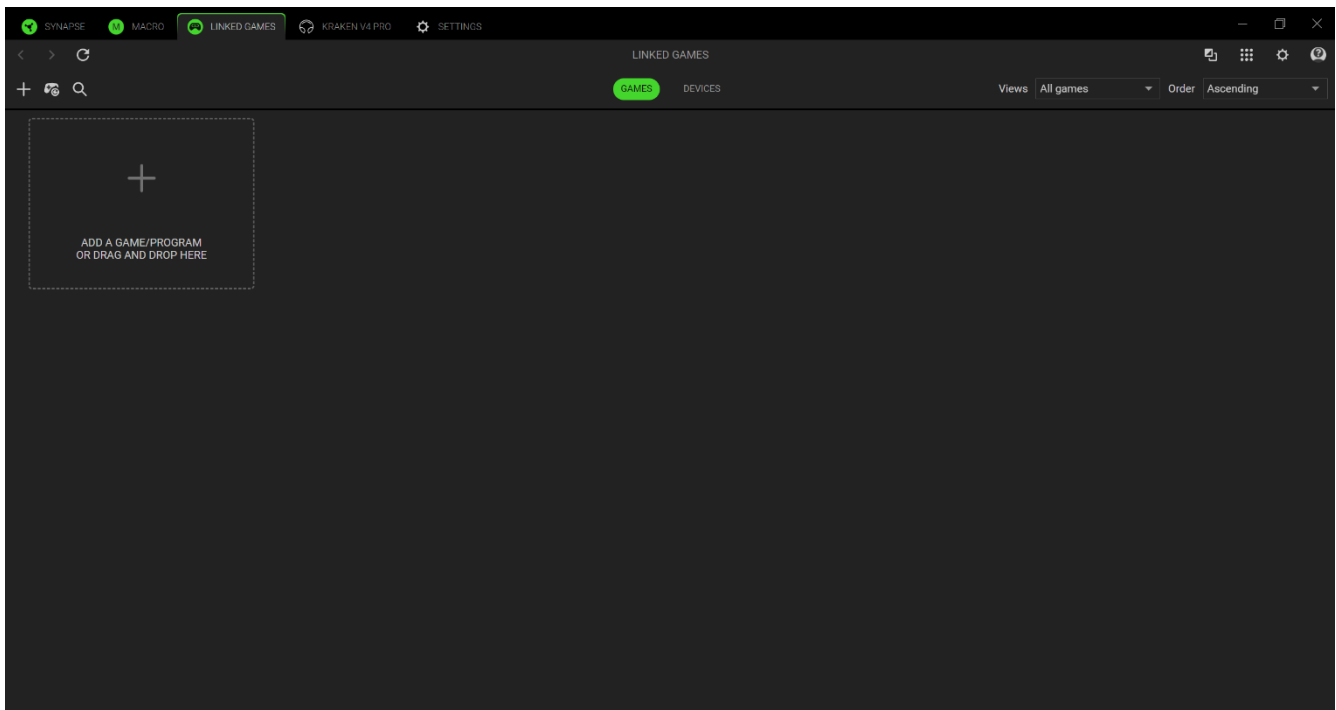
Switch between Stereo audio and THX Spatial Audio modes.

## LINKED GAMES

The Linked Games tab allows you to add apps, view peripherals linked to apps, or search for listed apps.

### Games

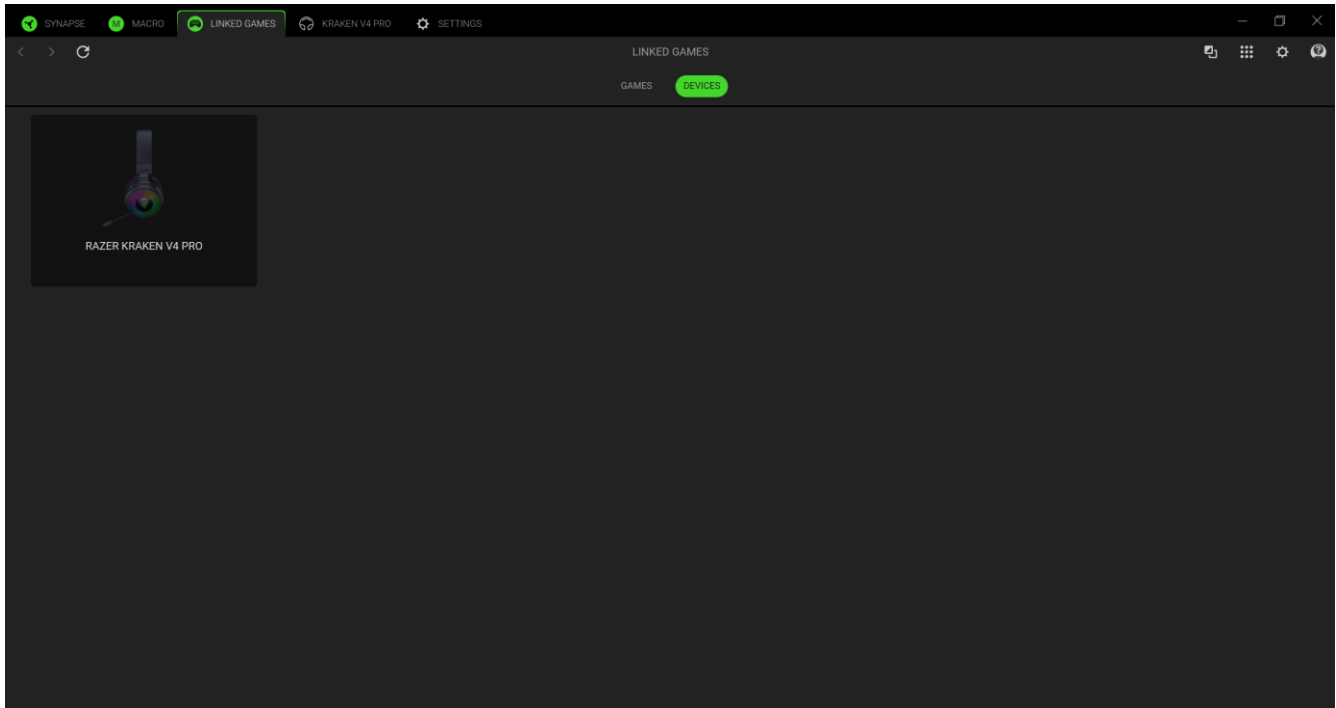
The Games subtab enables you to link apps to your peripherals. You can also sort apps based on alphabetical order, last played, or most played. Apps will still be listed here, even if not linked to a Razer device. To add an app that is not listed on the screen, you can use the Add button (+) to search for it manually or use the Scan button (🔍) to search for it automatically. Click the Search button (🔍) to look for a specific game or program from the list.



To link an app to your Razer device, click on it from the list and select a device and its profile. This will automatically set your device to the selected profile whenever you launch the app.

## Devices

The Devices subtab lets you view your peripherals and determine which apps are linked to them. By selecting a device, you can see a list of linked apps, add new apps, or remove linked apps. You can filter these apps by using the Views and Order dropdown list. To add an app not listed on your peripheral, you can drag and drop the executable file inside the box or use the Add button (+) to open the search window. While inside the search window, you can click the Refresh button (↻) to rescan installed apps, the Search button (🔍) to look for a specific game or program from the list, or the Browse link to search for the app manually.



To link an app to your Razer device, click the tick box at the top left corner of the app while inside the search box. This will automatically set your device to the selected profile whenever you launch the app.

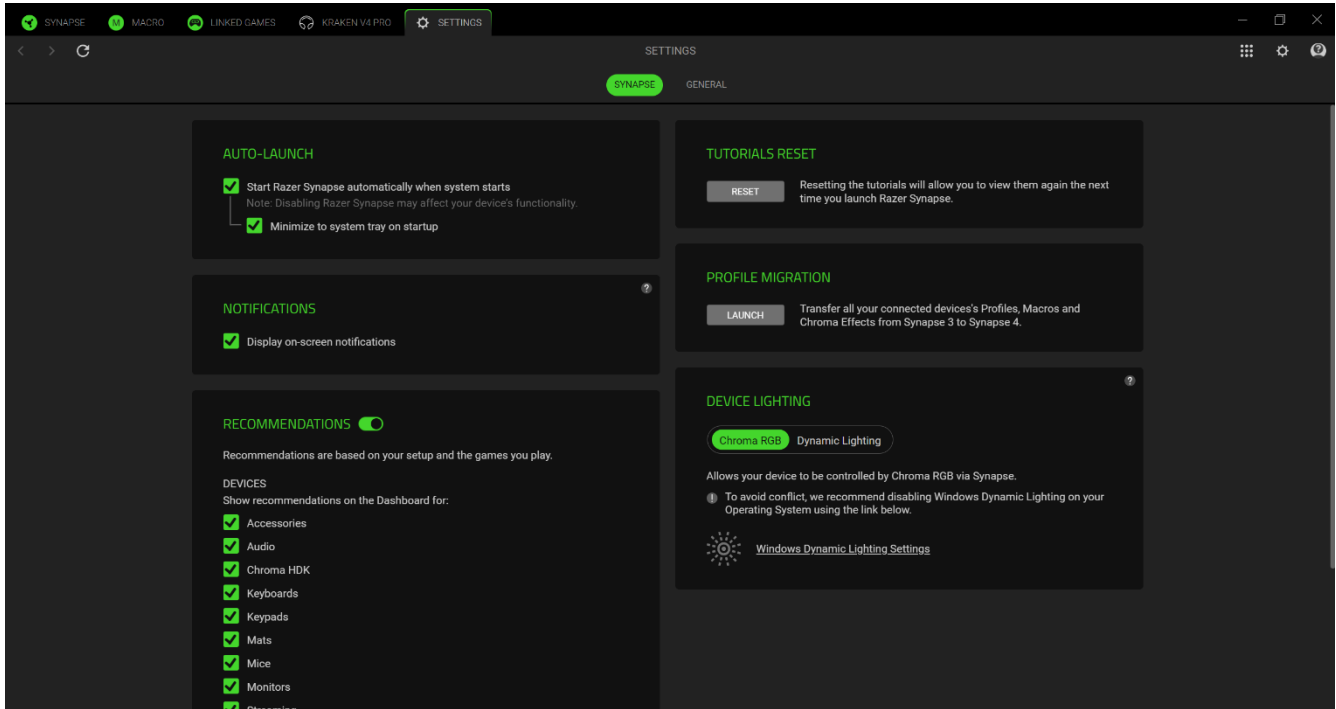


## SETTINGS

The Settings tab, accessible by clicking the ( ⚙ ) button, enables you to configure numerous options as listed below:

### Synapse

The Synapse subtab is where you can find options that are specific to the app.



### *Auto Launch*

The Auto Launch option allows you to configure the startup behavior the app.

### *Notifications*

The Notifications option allows the app to display on-screen notifications even if you run full-screen apps.

### *Recommendations*

Recommendations enable us to show the latest products and features on your Dashboard based on your installed devices and linked games.

### *Tutorials Reset*

Selecting the Reset button will reactivate all tutorials that help you acquaint yourself with Razer Synapse's features.

### *Profile Migration*

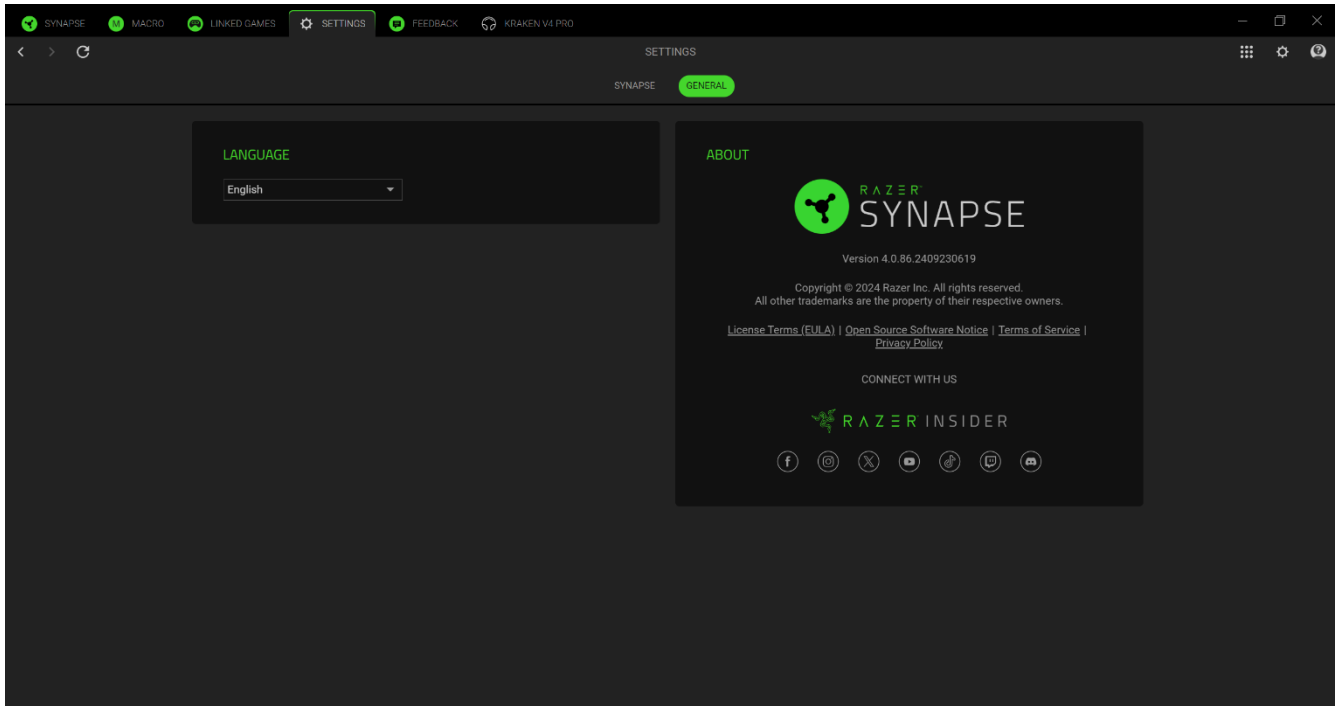
This function lets you transfer all your device's Profiles, Macros, and Chroma Effects from Synapse 3 to the new Synapse.

## Device Lighting

This option lets you choose which app will control the lighting effects on your device.

## General

The General subtab is the section where you can access miscellaneous options for your app, as well as find additional information about the software.



## Language

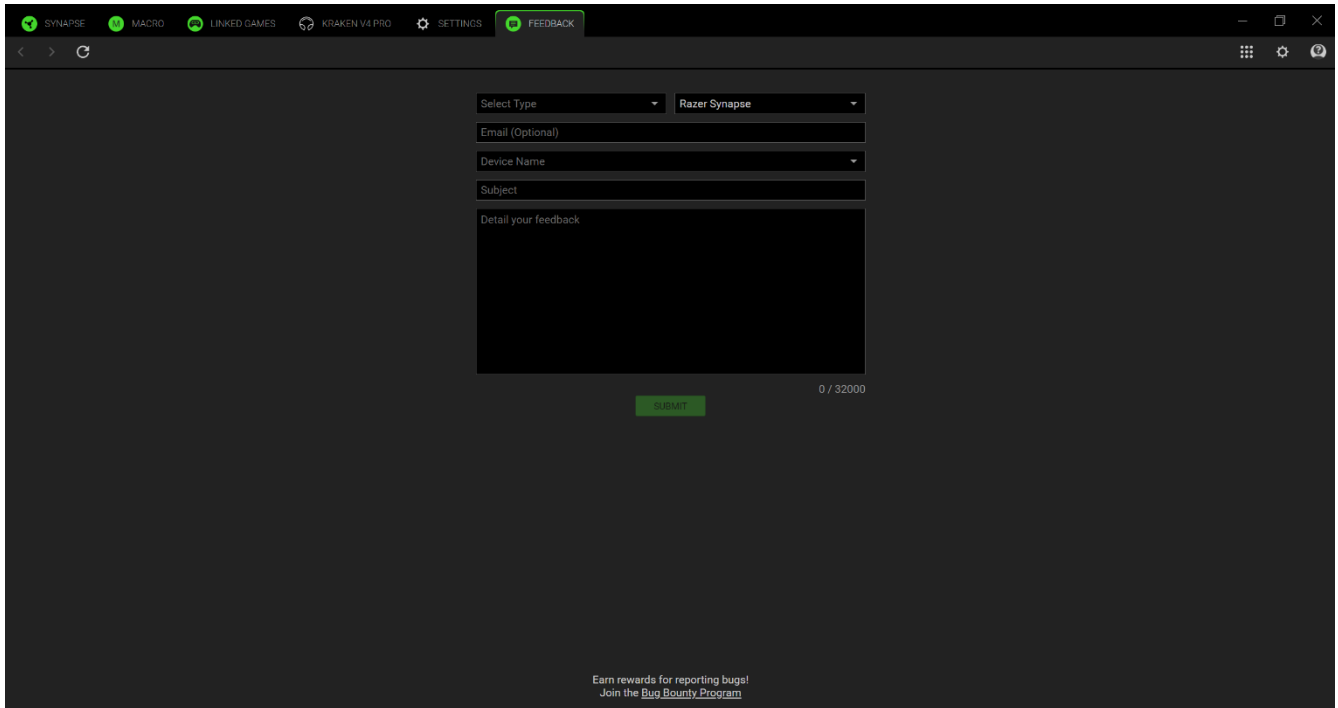
This option lets you change the display language of Razer Synapse.

## About

The About section shows the current software version, displays the copyright statement, and provides relevant links for Razer's terms of use. You may also use this option to access Razer's social communities quickly.

## FEEDBACK

Help us improve Razer Synapse by giving your comments, suggestions, and problems with the software. You can contact us directly using this tab and even earn rewards for reporting bugs.



The screenshot shows the Razer Synapse Feedback form interface. At the top, there is a navigation bar with icons for SYNAPSE, MACRO, LINKED GAMES, KRAKEN V4 PRO, SETTINGS, and FEEDBACK. The FEEDBACK tab is active. Below the navigation bar, there is a form with the following fields:

- Select Type: Razer Synapse
- Email (Optional):
- Device Name:
- Subject:
- Detail your feedback:

At the bottom of the form, there is a green SUBMIT button and a character count of 0 / 32000. Below the form, there is a link to the Bug Bounty Program.

Earn rewards for reporting bugs!  
Join the [Bug Bounty Program](#)

---

## 8. SAFETY AND MAINTENANCE

### SAFETY GUIDELINES

In order to achieve maximum safety while using your Razer Kraken V4 Pro, we suggest that you adopt the following guidelines:

Should you have trouble operating the device properly and troubleshooting does not work, unplug the device and contact the Razer hotline or go to [support.razer.com](https://support.razer.com) for assistance.

Don't take apart the device, and don't attempt to operate it under abnormal current loads. Doing so will void your warranty.

Keep the device away from liquid, humidity, or moisture. Operate the device only within the specific temperature range of 0°C (32°F) to 40°C (104°F). Should the temperature exceed this range, unplug and/or switch off the device to stabilize the temperature to an optimal level.

We recommend stretching your Razer Kraken V4 Pro gently apart before placing them over your head to minimize headband stress. However, please avoid overstretching the headset beyond its technical limits.

The device isolates external ambient sounds even at low volumes, resulting in lowered awareness of your external surroundings. Please remove the device when engaging in activities requiring active awareness of your surroundings.

Listening to excessively loud volumes over extended periods can damage your hearing. Furthermore, legislation of certain countries permits a maximum sound level of 86db to affect your hearing for 8 hours a day. We, therefore, recommend that you reduce the volume to a comfortable level when listening for prolonged periods. Please, take good care of your hearing.

### MAINTENANCE AND USE

Your Razer Kraken V4 Pro requires minimum maintenance to keep it in optimum condition. Once a month, we recommend you clean the device using a soft cloth or cotton swab to prevent dirt buildup. Don't use soap or harsh cleaning agents.

---

## 9. LEGALESE

### **COPYRIGHT AND INTELLECTUAL PROPERTY INFORMATION**

©2024 Razer Inc. All rights reserved. Razer, the triple-headed snake logo, Razer logo, and “For Gamers. By Gamers.”, are trademarks or registered trademarks of Razer Inc. and/or affiliated companies in the United States or other countries. All other trademarks are the property of their respective owners.

The Bluetooth® word mark and logos are registered trademarks owned by Bluetooth SIG, Inc., and any use of such marks by Razer is under license.

THX and the THX logo are trademarks of THX Ltd., registered in the U.S. and other countries.

Windows and the Windows logo are trademarks or registered trademarks of the Microsoft group of companies.

Razer Inc. (“Razer”) may have copyright, trademarks, trade secrets, patents, patent applications, or other intellectual property rights (whether registered or unregistered) concerning the product in this guide. Furnishing of this guide does not give you a license to any such copyright, trademark, patent or other intellectual property right. Your Razer Kraken V4 Pro (the “Product”) may differ from pictures whether on packaging or otherwise. Razer assumes no responsibility for such differences or for any errors that may appear. Information contained herein is subject to change without notice.

### **LIMITED PRODUCT WARRANTY**

For the latest and current terms of the Limited Product Warranty, please visit [razer.com/warranty](https://www.razer.com/warranty).

### **LIMITATION OF LIABILITY**

Razer shall in no event be liable for any lost profits, loss of information or data, special, incidental, indirect, punitive or consequential or incidental damages, arising in any way out of distribution of, sale of, resale of, use of, or inability to use the Product. In no event shall Razer’s liability exceed the retail purchase price of the Product.

### **GENERAL**

These terms shall be governed by and construed under the laws of the jurisdiction in which the Product was purchased. If any term herein is held to be invalid or unenforceable, then such term (in

so far as it is invalid or unenforceable) shall be given no effect and deemed to be excluded without invalidating any of the remaining terms. Razer reserves the right to amend any term at any time without notice.